



**Electromagnetic compatibility
and Radio spectrum Matters (ERM);
ElectroMagnetic Compatibility (EMC)
standard for radio equipment and services;
Part 12: Specific conditions for Very Small Aperture
Terminal, Satellite Interactive Earth Stations operated
in the frequency ranges between 4 GHz and 30 GHz
in the Fixed Satellite Service (FSS)
Harmonised Standard for electromagnetic compatibility**

Reference

REN/ERM-EMC-366-12

Keywordsearth station, EMC, FSS, harmonised standard,
radio, regulation, satellite, SNG, testing, VSAT**ETSI**650 Route des Lucioles
F-06921 Sophia Antipolis Cedex - FRANCE

Tel.: +33 4 92 94 42 00 Fax: +33 4 93 65 47 16

Siret N° 348 623 562 00017 - NAF 742 C
Association à but non lucratif enregistrée à la
Sous-Préfecture de Grasse (06) N° 7803/88

Important notice

The present document can be downloaded from:

<http://www.etsi.org/standards-search>

The present document may be made available in electronic versions and/or in print. The content of any electronic and/or print versions of the present document shall not be modified without the prior written authorization of ETSI. In case of any existing or perceived difference in contents between such versions and/or in print, the prevailing version of an ETSI deliverable is the one made publicly available in PDF format at www.etsi.org/deliver.

Users of the present document should be aware that the document may be subject to revision or change of status.

Information on the current status of this and other ETSI documents is available at

<https://portal.etsi.org/TB/ETSIDeliverableStatus.aspx>

If you find errors in the present document, please send your comment to one of the following services:

<https://portal.etsi.org/People/CommiteeSupportStaff.aspx>

Copyright Notification

No part may be reproduced or utilized in any form or by any means, electronic or mechanical, including photocopying and microfilm except as authorized by written permission of ETSI.

The content of the PDF version shall not be modified without the written authorization of ETSI.

The copyright and the foregoing restriction extend to reproduction in all media.

© ETSI 2019.

All rights reserved.

DECT™, **PLUGTESTS™**, **UMTS™** and the ETSI logo are trademarks of ETSI registered for the benefit of its Members.

3GPP™ and **LTE™** are trademarks of ETSI registered for the benefit of its Members and of the 3GPP Organizational Partners.

oneM2M™ logo is a trademark of ETSI registered for the benefit of its Members and of the oneM2M Partners.

GSM® and the GSM logo are trademarks registered and owned by the GSM Association.

Contents

Intellectual Property Rights	5
Foreword.....	5
Modal verbs terminology.....	5
1 Scope	6
2 References	6
2.1 Normative references	6
2.2 Informative references.....	6
3 Definitions and abbreviations.....	7
3.1 Definitions	7
3.2 Abbreviations	7
4 Test conditions	8
4.1 General	8
4.2 Arrangements for test signals	8
4.2.1 Arrangements for test signals at the input of transmitters.....	8
4.2.2 Arrangements for test signals at the output of transmitters.....	8
4.2.3 Arrangements for test signals at the input of receivers	8
4.2.4 Arrangements for test signals at the output of receivers	8
4.2.5 Arrangements for testing transmitter and receiver together (as a system)	8
4.3 Exclusion bands.....	9
4.4 Narrow band responses of receivers.....	9
5 Performance assessment.....	9
5.1 General	9
5.2 Equipment configuration(s).....	9
5.3 Equipment classification	10
6 Performance criteria	10
6.0 General Performance criteria.....	10
6.1 Performance criteria (C) for Continuous phenomena applied to the EUT	10
6.2 Performance criteria (TA) for Transient phenomena applied to a grade A EUT.....	11
6.3 Performance criteria (TB) for Transient phenomena applied to a grade B EUT	11
7 Applicability overview	12
7.1 Emission.....	12
7.1.1 General.....	12
7.1.2 Special conditions.....	12
7.2 Immunity	12
7.2.1 General.....	12
7.2.2 Special conditions.....	12
Annex A (informative): Relationship between the present document and the essential requirements of Directive 2014/53/EU	14
Annex B (normative): Definitions of Satellite Earth Stations (ES) within the scope of the present document.....	16
B.0 General	16
B.1 Transmit only and Transmit and receive Ku band VSATs	16
B.2 Receive-only Ku band VSATs.....	16
B.3 Transmit only and Transmit and receive C band VSATs.....	17
B.4 Receive-only C band VSATs	17
B.5 Satellite News Gathering (SNG) Ku band Transportable Earth Stations (TESs).....	18

B.6	Satellite Interactive Terminals (SITs)	19
B.7	Satellite User Terminals (SUTs) transmitting in the frequency range 29,5 GHz to 30,0 GHz	19
B.8	Satellite User Terminals (SUTs) transmitting in the frequency range 27,5 GHz to 29,5 GHz	20
B.9	Satellite Earth Station on Trains (EST) transmitting in the frequency range 14,0 GHz to 14,5 GHz.....	21
Annex C (informative):	Bibliography	22
Annex D (informative):	Change history	23
History		24

Intellectual Property Rights

Essential patents

IPRs essential or potentially essential to normative deliverables may have been declared to ETSI. The information pertaining to these essential IPRs, if any, is publicly available for **ETSI members and non-members**, and can be found in ETSI SR 000 314: "*Intellectual Property Rights (IPRs); Essential, or potentially Essential, IPRs notified to ETSI in respect of ETSI standards*", which is available from the ETSI Secretariat. Latest updates are available on the ETSI Web server (<https://ipr.etsi.org/>).

Pursuant to the ETSI IPR Policy, no investigation, including IPR searches, has been carried out by ETSI. No guarantee can be given as to the existence of other IPRs not referenced in ETSI SR 000 314 (or the updates on the ETSI Web server) which are, or may be, or may become, essential to the present document.

Trademarks

The present document may include trademarks and/or tradenames which are asserted and/or registered by their owners. ETSI claims no ownership of these except for any which are indicated as being the property of ETSI, and conveys no right to use or reproduce any trademark and/or tradename. Mention of those trademarks in the present document does not constitute an endorsement by ETSI of products, services or organizations associated with those trademarks.

Foreword

This Harmonised European Standard (EN) has been produced by ETSI Technical Committee Electromagnetic compatibility and Radio spectrum Matters (ERM).

The present document has been prepared under the Commission's standardisation request C(2015) 5376 final [i.6] to provide one voluntary means of conforming to the essential requirements of Directive 2014/53/EU on the harmonisation of the laws of the Member States relating to the making available on the market of radio equipment and repealing Directive 1999/5/EC [i.5].

Once the present document is cited in the Official Journal of the European Union under that Directive, compliance with the normative clauses of the present document given in table A.1 confers, within the limits of the scope of the present document, a presumption of conformity with the corresponding essential requirements of that Directive and associated EFTA regulations.

The present document is part 12 of a multi-part deliverable. Full details of the entire series can be found in part 1 [1].

National transposition dates	
Date of adoption of this EN:	3 January 2018
Date of latest announcement of this EN (doa):	31 July 2019
Date of latest publication of new National Standard or endorsement of this EN (dop/e):	31 January 2020
Date of withdrawal of any conflicting National Standard (dow):	31 January 2021

Modal verbs terminology

In the present document "**shall**", "**shall not**", "**should**", "**should not**", "**may**", "**need not**", "**will**", "**will not**", "**can**" and "**cannot**" are to be interpreted as described in clause 3.2 of the [ETSI Drafting Rules](#) (Verbal forms for the expression of provisions).

"**must**" and "**must not**" are **NOT** allowed in ETSI deliverables except when used in direct citation.

1 Scope

The present document, together with ETSI EN 301 489-1 [1], covers the assessment of Earth Stations (ES) operated in the frequency ranges between 4 GHz and 30 GHz in the Fixed Satellite Service (FSS) and associated ancillary equipment in respect of Electromagnetic Compatibility (EMC).

Technical specifications related to the antenna port and emissions from the enclosure port of the Earth Stations (ES) are not included in the present document. Such technical specifications are found in the relevant product standards for the effective use of the radio spectrum.

The present document specifies the applicable test conditions, performance assessment and the performance criteria for the ESs, and associated ancillary equipment.

Definitions of the type of Earth Stations (ES) operated in the frequency ranges between 4 GHz and 30 GHz in the Fixed Satellite Service (FSS) covered by the present document are given in annex B.

In case of differences (for instance concerning special conditions, definitions, abbreviations) between the present document and ETSI EN 301 489-1 [1], the provisions of the present document take precedence.

The environmental classification and the emission and immunity requirements used in the present document are as stated in ETSI EN 301 489-1 [1], except for any special conditions included in the present document. The applicable environments referred to in ETSI EN 301 489-1 [1] where equipment covered by the scope of the present document may be used, should be declared by the manufacturer.

NOTE: The relationship between the present document and essential requirements of article 3.1(b) of Directive 2014/53/EU [i.5] is given in annex A.

2 References

2.1 Normative references

References are specific, identified by date of publication and/or edition number or version number. Only the cited version applies.

Referenced documents which are not found to be publicly available in the expected location might be found at <https://docbox.etsi.org/Reference/>.

NOTE: While any hyperlinks included in this clause were valid at the time of publication, ETSI cannot guarantee their long term validity.

The following referenced documents are necessary for the application of the present document.

- [1] ETSI EN 301 489-1 (V2.2.0) (03-2017): "ElectroMagnetic Compatibility (EMC) standard for radio equipment and services; Part 1: Common technical requirements; Harmonised Standard covering the essential requirements of article 3.1(b) of Directive 2014/53/EU and the essential requirements of article 6 of Directive 2014/30/EU".

2.2 Informative references

References are either specific (identified by date of publication and/or edition number or version number) or non-specific. For specific references, only the cited version applies. For non-specific references, the latest version of the referenced document (including any amendments) applies.

NOTE: While any hyperlinks included in this clause were valid at the time of publication, ETSI cannot guarantee their long term validity.

The following referenced documents are not necessary for the application of the present document but they assist the user with regard to a particular subject area.

- [i.1] Void.

- [i.2] Void.
- [i.3] ERC/DEC(00)08: "ERC Decision of 19 October 2000 on the use of the band 10.7 - 12.5 GHz by the fixed service and Earth stations of the broadcasting-satellite and fixed-satellite Service (space-to-Earth)".
- [i.4] ERC/DEC(00)07: "ERC Decision of 19 October 2000 on the shared use of the band 17.7 - 19.7 GHz by the fixed service and Earth stations of the fixed-satellite service (space-to-Earth)".
- [i.5] Directive 2014/53/EU of the European Parliament and of the Council of 16 April 2014 on the harmonisation of the laws of the Member States relating to the making available on the market of radio equipment and repealing Directive 1999/5/EC.
- [i.6] Commission Implementing Decision C(2015) 5376 final of 4.8.2015 on a standardisation request to the European Committee for Electrotechnical Standardisation and to the European Telecommunications Standards Institute as regards radio equipment in support of Directive 2014/53/EU of the European Parliament and of the Council.

3 Definitions and abbreviations

3.1 Definitions

For the purposes of the present document, the terms and definitions given in ETSI EN 301 489-1 [1] and the following apply:

carrier-on state: transmit ES is in this state when it is authorized to transmit, and when it transmits a signal, either authorized by a Centralized Control and Monitoring Function (CCMF) or a Network Control Facility (NCF) when designed for unattended operation or by local control when designed for attended operation

carrier-off state: transmit ES is in this state when it is authorized to transmit, and when it does not transmit any signal, either authorized by a CCMF or a NCF when designed for unattended operation or by local control when designed for attended operation

NOTE: The existence of a carrier-off state depends on the system of transmission used. For ES designed for continuous transmission mode there may be no carrier-off state.

transmission disabled state: transmit ES is in this state when it is not authorized to transmit either by a CCMF or a NCF respectively when designed for unattended operation or by local control when designed for attended operation

3.2 Abbreviations

For the purposes of the present document, the following abbreviations apply:

AC	Alternating Current
AMSS	Aeronautical Mobile Satellite Service
BSS	Broadcast Satellite Service
CCMF	Centralized Control and Monitoring Functions
DC	Direct Current
EIRP	Equivalent Isotropically Radiated Power
EMC	ElectroMagnetic Compatibility
EME	Externally Mounted Equipment
ES	Earth Station
EST	Earth Station on Trains
EUT	Equipment Under Test
FS	Fixed Services
FSS	Fixed Satellite Service
IME	Internally Mounted Equipment
kV	kilovolt
LMSS	Land Mobile Satellite Service
LNB	Low Noise Block converter

MMSS	Marine Mobile Satellite Service
MSS	Mobile Satellite Service
NCF	Network Control Facility
QTMA	Quality of Transmission Measurement Apparatus
SIT	Satellite Interactive Terminals
SNG	Satellite News Gathering
SUT	Satellite User Terminals
TA	Transient phenomena applied to a grade A EUT
TB	Transient phenomena applied to a grade B EUT
TES	Transportable Earth Station
VSAT	Very Small Aperture Terminal

4 Test conditions

4.1 General

For the purposes of the present document, the test conditions of ETSI EN 301 489-1 [1], clause 4 shall apply as appropriate. Further product type related test conditions for Earth Stations are specified in the present document.

For Earth Stations with or without ancillary equipment, and/or various terrestrial ports, the number of test configurations shall be determined. The assessment shall include sufficient representative configurations of the ES to adequately exercise the equipment. These configurations shall be recorded in the test report.

In the following clauses, the Equipment Under Test (EUT) is an ES with the selected configuration of ancillary equipment.

4.2 Arrangements for test signals

4.2.1 Arrangements for test signals at the input of transmitters

The provisions of ETSI EN 301 489-1 [1], clause 4.2.1 shall apply.

4.2.2 Arrangements for test signals at the output of transmitters

The provisions of ETSI EN 301 489-1 [1], clause 4.2.2 shall apply.

4.2.3 Arrangements for test signals at the input of receivers

The provisions of ETSI EN 301 489-1 [1], clause 4.2.3 shall apply with the following modification.

For tests on the receiver, the level of the signal received from the test transmitter shall be as close as possible to the normal operation level of the EUT receiver.

4.2.4 Arrangements for test signals at the output of receivers

The provisions of ETSI EN 301 489-1 [1], clause 4.2.4 shall apply.

4.2.5 Arrangements for testing transmitter and receiver together (as a system)

The provisions of ETSI EN 301 489-1 [1], clause 4.2.5 shall apply.

4.3 Exclusion bands

There are no exclusion bands for ESs within the scope of the present document.

4.4 Narrow band responses of receivers

Narrow band responses are not allowed for ESs within the scope of the present document.

5 Performance assessment

5.1 General

The provision of ETSI EN 301 489-1 [1], clause 5.1 shall apply.

In addition the manufacturer shall provide the following information to be recorded in the test report:

- the dedicated grade (A or B) for the ES in accordance with the information contained in the instructions accompanying the ES (see clause 5.3);
- the ranges of the operational parameters, e.g. the power delivered to the antenna, the frequency ranges;
- the minimum quality of transmission, and the method to be used to assess it.

This information shall be in accordance with the documentation accompanying the equipment.

5.2 Equipment configuration(s)

For radiation measurements in carrier-on state, the ES shall be put in a continuous transmit mode or to the maximum burst rate where applicable. The ES shall be operated at the highest normal operating Equivalent Isotropically Radiated Power (EIRP) or, if that is the maximum attainable, then 3 dB below such maximum.

A suggested test configuration is shown in figure 1.

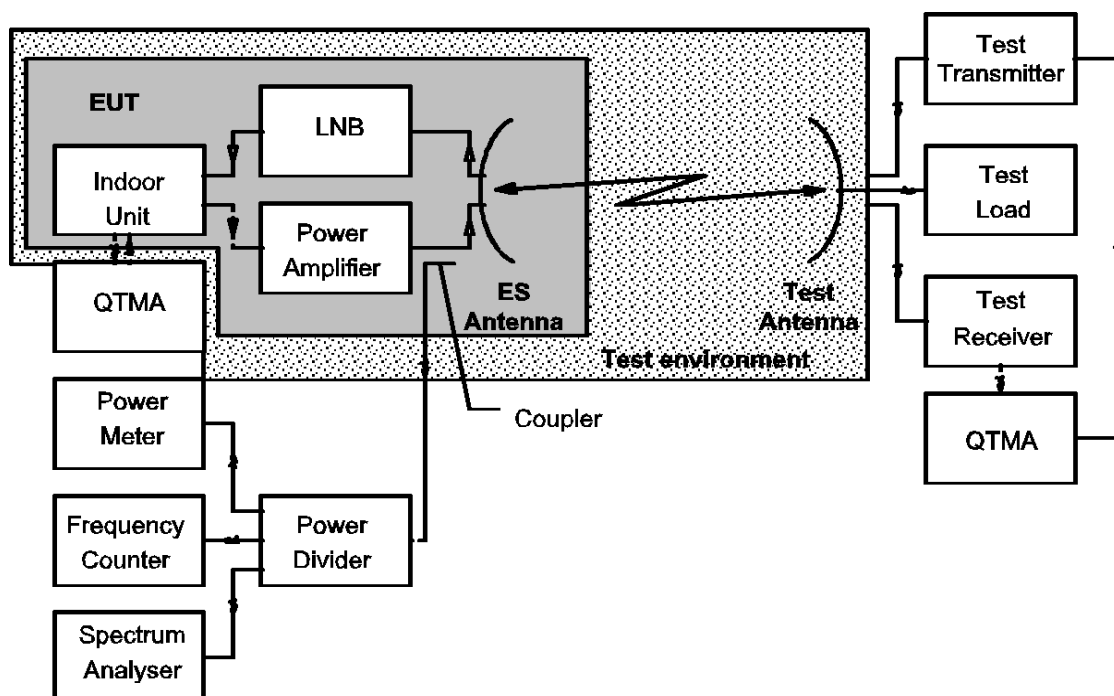


Figure 1: Suggested test configuration

For the tests, the ES antenna reflector and the test antenna may be removed at their flanges and be replaced by one direct wave guide connection.

The following test equipment shall be the means whereby the correct operation of the EUT is verified:

- a) the power meter measures the output power and is used to confirm the transmission disabled, carrier-on and carrier-off states and output level consistency;
- b) the frequency counter measures the centre frequency of the radiated carrier in the absence of modulation;
- c) the spectrum analyser measures the bandwidth of the transmission;
- d) the test receiver is used to demodulate the transmitted signal;
- e) the two QTMA are used in conjunction with each other to assess the quality of transmission;
- f) the test transmitter is used to control the switching between transmission disabled, carrier-on and carrier-off states by transmitting the control and monitoring signals.

5.3 Equipment classification

The provisions of ETSI EN 301 489-1 [1], clause 5.5 set out for base stations shall apply with the following addition.

The equipment are classified into the two grades of service:

- grade A of ES for which short interruptions of transmission are accepted during immunity testing with EMC transient phenomena;
- grade B of ES for which no short interruption of transmission is accepted during immunity testing with EMC transient phenomena.

The applicable grade A or B shall be declared by the manufacturer, it shall be in accordance with the information contained in the instructions accompanying the ES, and shall be recorded in the test report.

6 Performance criteria

6.0 General Performance criteria

The definition of the functions of the EUT, including its ancillary equipment, to be checked during and after the EMC tests shall be declared by the manufacturer and recorded in the test report.

The equipment shall meet the minimum performance criteria as specified in clauses 6.1, 6.2 and 6.3 and additionally the functions as declared by the manufacturer.

6.1 Performance criteria (C) for Continuous phenomena applied to the EUT

The provisions of ETSI EN 301 489-1 [1], clause 6.1 shall apply with the following modification.

The EUT shall be considered to satisfy the immunity if the following conditions are met during and after the exposure:

- a) the quality of transmission observed is no worse than that declared by the manufacturer (clause 5.1);
- b) the EUT is able to be placed in the transmission disabled state, and does not leave that state without being commanded;
- c) when the EUT is in the transmission disabled state there is no change in the signal level;
- d) when the EUT is in the carrier-on state there is no change in the signal level or frequency;

- e) when the EUT is in the carrier-off state there is no increase of the signal level;
- f) for ESs capable of transmitting, under no circumstances does the transmitter operate unintentionally during the test;
- g) the EUT operates as intended with no loss of user control functions, stored data and the communications link.

6.2 Performance criteria (TA) for Transient phenomena applied to a grade A EUT

The provisions of ETSI EN 301 489-1 [1], clause 6.2 shall apply with the following modification.

The EUT shall be considered to satisfy the immunity specifications if the following conditions are met:

- during and after the series of individual exposures:
 - a) the EUT is able to be placed in the transmission disabled state, and does not leave that state without being commanded;
 - b) when the EUT is in the transmission disabled state there is no change in the signal level;
 - c) when the EUT is in the carrier-on state there is no change in the signal frequency or increase of the signal level;
 - d) when the EUT is in the carrier-off state there is no increase of the signal level;
 - e) for ESs capable of transmitting, under no circumstances does the transmitter operate unintentionally during the test;
- at the conclusion of each exposure the quality of transmission observed shall be no worse than that declared by the manufacturer (clause 5.1);
- at the conclusion of the total test comprising the series of individual exposures the EUT shall operate as intended with no loss of user control functions or stored data and the communications link shall remain maintained.

6.3 Performance criteria (TB) for Transient phenomena applied to a grade B EUT

The provisions of ETSI EN 301 489-1 [1], clause 6.2 shall apply with the following modification.

The EUT shall be considered to satisfy the immunity specifications if the following conditions are met during and after the series of individual exposures:

- a) the quality of transmission observed is no worse than that declared by the manufacturer (clause 5.1);
- b) under the test conditions the EUT is able to be placed in the transmission disabled state, and does not leave that state without being commanded;
- c) when the EUT is in the transmission disabled state there is no change in the signal level;
- d) when the EUT is in the carrier-on state there is no change in the signal level or frequency;
- e) when the EUT is in the carrier-off state there is no increase of the signal level;
- f) for ESs capable of transmitting, under no circumstances does the transmitter operate unintentionally during the test;
- g) the EUT shall operate as intended with no loss of user control functions, stored data and the communications link.

7 Applicability overview

7.1 Emission

7.1.1 General

ETSI EN 301 489-1 [1], table 1, contains the applicability of EMC emission measurements to the relevant ports of radio and/or associated ancillary equipment.

7.1.2 Special conditions

The following special conditions set out in table 1, relate to the emission test methods used in ETSI EN 301 489-1 [1], clause 8.

Table 1: Special conditions for EMC emission measurements

Reference to clauses in ETSI EN 301 489-1 [1]	Special product-related conditions, additional to or modifying the test conditions in ETSI EN 301 489-1 [1], clause 8
8.2.3 Limits; Enclosure of ancillary equipment measured on a stand alone basis	The requirements for radiated emission from the enclosure port is applicable to the complete system. The transmit carrier frequency and the receive carrier frequency shall be selected so that they give the maximum spurious radiation at frequencies below 1 000 MHz.

7.2 Immunity

7.2.1 General

ETSI EN 301 489-1 [1], table 2, contains the applicability of EMC immunity measurements to the relevant ports of radio and/or associated ancillary equipment.

7.2.2 Special conditions

The following special conditions set out in table 2, relate to the immunity test methods and performance criteria used in ETSI EN 301 489-1 [1], clause 9.

Table 2: Special conditions for EMC immunity tests

Reference to clauses in ETSI EN 301 489-1 [1]	Special product-related conditions, additional to or modifying the test conditions in ETSI EN 301 489-1 [1], clause 9
9.2.2 Radio frequency electromagnetic field (80 MHz to 1 000 MHz and 1 400 MHz to 2 700 MHz)	A test level of 10 V/m shall be applied to ESTs.
9.3.2 Electrostatic discharge	A contact discharge severity level of ± 6 kV and an air discharge severity level of ± 8 kV shall be applied to ESTs.
9.3.3 Performance criteria; Electrostatic discharge	The performance criteria TA (clause 6.2) shall apply to grade A ES. The performance criteria TB (clause 6.3) shall apply to grade B ES.
9.4.3 Performance criteria; Fast transient, common mode	The performance criteria TA (clause 6.2) shall apply to grade A ES. The performance criteria TB (clause 6.3) shall apply to grade B ES.
9.7.3 Performance criteria; Voltage dips and interruptions	a) for a voltage dip corresponding to a reduction of the supply voltage of 30 % for 10 ms, the performance criteria C (clause 6.1) shall apply; b) for a voltage dip corresponding to a reduction of the supply voltage of 60 % for 100 ms, the performance criteria TA (clause 6.2) shall apply to grade A ES, and the performance criteria TB (clause 6.3) shall apply to grade B ES; c) for a voltage interruption corresponding to a reduction of the supply voltage of more than 95 % for 5 000 ms, the following performance criteria shall apply: <ul style="list-style-type: none"> - for equipment fitted with or connected to a battery back-up the performance criteria TA (clause 6.2) shall apply to both grade A and grade B ES.
9.8.3 Performance criteria; Surges	The performance criteria TA (clause 6.2) shall apply to grade A ES. The performance criteria TB (clause 6.3) shall apply to grade B ES.

Annex A (informative): Relationship between the present document and the essential requirements of Directive 2014/53/EU

The present document has been prepared under the Commission's standardisation request C(2015) 5376 final [i.6] to provide one voluntary means of conforming to the essential requirements of Directive 2014/53/EU on the harmonisation of the laws of the Member States relating to the making available on the market of radio equipment and repealing Directive 1999/5/EC [i.5].

Once the present document is cited in the Official Journal of the European Union under that Directive, compliance with the normative clauses of the present document given in table A.1 confers, within the limits of the scope of the present document, a presumption of conformity with the corresponding essential requirements of that Directive and associated EFTA regulations.

Table A.1: Relationship between the present document and the essential requirements of Directive 2014/53/EU

Harmonised Standard ETSI EN 301 489-12					
Requirement				Requirement Conditionality	
No	Description	Essential requirements of Directive	Clause(s) of the present document	U/C	Condition
1	Emissions: Enclosure of ancillary equipment measured on a stand alone basis	3.1(b)	ETSI EN 301 489-1 [1] clause 8.2	U	
2	Emissions: DC power input/output ports	3.1(b)	Clause 7.1 and ETSI EN 301 489-1 [1] clause 8.3	C	Only where equipment has DC power input and/or output ports with a cable length greater than 3 m or from a vehicle power supply
3	Emissions: AC mains power input/output ports	3.1(b)	Clause 7.1 and ETSI EN 301 489-1 [1] clause 8.4	C	Only where equipment has AC mains power input and/or output ports
4	Emissions: Harmonic current emission (AC mains input port)	3.1(b)	Clause 7.1 and ETSI EN 301 489-1 [1] clause 8.5	C	Only where equipment has AC mains power input ports
5	Emissions: Voltage fluctuations and flicker (AC mains input ports)	3.1(b)	Clause 7.1 and ETSI EN 301 489-1 [1] clause 8.6	C	Only where equipment has AC mains power input ports
6	Emissions: Wired network ports	3.1(b)	Clause 7.1 and ETSI EN 301 489-1 [1] clause 8.7	C	Only where equipment has wired network ports
7	Immunity: Radio frequency electromagnetic field (80 MHz to 6 000 MHz)	3.1(b)	Clause 7.2 and ETSI EN 301 489-1 [1] clause 9.2	U	
8	Immunity: Electrostatic discharge	3.1(b)	Clause 7.2 and ETSI EN 301 489-1 [1] clause 9.3	U	
9	Immunity: Fast transients common mode	3.1(b)	Clause 7.2 and ETSI EN 301 489-1 [1] clause 9.4	C	Only where equipment has AC mains power input ports or DC power ports or wired network ports with cables longer than 3 m
10	Immunity: Radio frequency common mode	3.1(b)	Clause 7.2 and ETSI EN 301 489-1 [1] clause 9.5	C	Only where equipment has AC mains power input ports or DC power ports or wired network ports with cables longer than 3 m
11	Immunity: Transients and surges in the vehicular environment	3.1(b)	Clause 7.2 and ETSI EN 301 489-1 [1] clause 9.6	C	Only where equipment is fitted to a vehicle power supply
12	Immunity: Voltage dips and interruptions	3.1(b)	Clause 7.2 and ETSI EN 301 489-1 [1] clause 9.7	C	Only where equipment has AC mains power input ports

Harmonised Standard ETSI EN 301 489-12					
Requirement				Requirement Conditionality	
No	Description	Essential requirements of Directive	Clause(s) of the present document	U/C	Condition
13	Immunity: Surges, line to line and line to ground	3.1(b)	Clause 7.2 and ETSI EN 301 489-1 [1] clause 9.8	C	Only where equipment has AC mains power input ports and/or wired network ports

Key to columns:**Requirement:**

No A unique identifier for one row of the table which may be used to identify a requirement.

Description A textual reference to the requirement.

Essential requirements of Directive

Identification of article(s) defining the requirement in the Directive.

Clause(s) of the present document

Identification of clause(s) defining the requirement in the present document unless another document is referenced explicitly.

Requirement Conditionality:

U/C Indicates whether the requirement is unconditionally applicable (U) or is conditional upon the manufacturer's claimed functionality of the equipment (C).

Condition Explains the conditions when the requirement is or is not applicable for a requirement which is classified "conditional".

Presumption of conformity stays valid only as long as a reference to the present document is maintained in the list published in the Official Journal of the European Union. Users of the present document should consult frequently the latest list published in the Official Journal of the European Union.

Other Union legislation may be applicable to the product(s) falling within the scope of the present document.

Annex B (normative): Definitions of Satellite Earth Stations (ES) within the scope of the present document

B.0 General

The present document covers types of ES radio equipment as set out in the following clauses.

B.1 Transmit only and Transmit and receive Ku band VSATs

The present document applies to transmit only and also to transmit and receive Very Small Aperture Terminals (VSATs) operating as part of a satellite network (e.g. star, meshed or point to point) used for the distribution and/or exchange of information between users.

In such a network a Centralized Control and Monitoring Functions (CCMF) is responsible for the monitoring and control of VSATs.

These VSATs have the following characteristics:

- operating in the exclusive part of the Ku-band allocated to the Fixed Satellite Services (FSS), 14,00 GHz to 14,25 GHz (Earth-Space), 12,50 GHz to 12,75 GHz (Space-Earth), and/or in the shared parts of the Ku-band, allocated to the FSS and Fixed Services (FS), 14,25 GHz to 14,50 GHz (Earth-Space) and/or 10,70 GHz to 11,70 GHz (Space-Earth);
- in these frequency bands linear polarization is normally used and the system operates through satellites at 3° spacing;
- designed usually for unattended operation;
- antenna diameter not exceeding 3,8 m, or equivalent corresponding aperture.

These VSATs comprise both the "outdoor unit", usually composed of the antenna subsystem and associated power amplifier and Low Noise Block (LNB), and the "indoor unit" composed of the remaining part of the communication chain, including the cable between these two units.

The present document applies to the VSAT with its ancillary equipment and its various terrestrial ports, and operated under the conditions which are within the ranges of humidity, temperature and supply voltage declared by the manufacturer.

The CEPT has adopted the ERC Decision (00)08 [i.3] on the use of the band 10,7 GHz to 12,5 GHz by the fixed service and Earth stations of the broadcasting-satellite and fixed-satellite service (space-to-Earth).

B.2 Receive-only Ku band VSATs

The present document applies to receive-only Very Small Aperture Terminals (VSATs) operating as part of a satellite network (e.g. star, meshed or point to point) used for the distribution of information.

These VSATs have the following characteristics:

- operating in the exclusive space-to-earth part of the Ku-band allocated to the Fixed Satellite Service (FSS), 12,50 GHz to 12,75 GHz (Space-Earth), and/or in the shared parts of the Ku-band, allocated to the FSS and Fixed Service (FS), 10,70 GHz to 11,70 GHz (Space-Earth);

- in these frequency bands linear polarization is normally used and the system operates through satellites at 3° spacing;
- designed usually for unattended operation;
- antenna diameter not exceeding 3,8 m, or equivalent corresponding aperture.

These VSATs comprise both the "outdoor unit", usually composed of the antenna subsystem and associated Low Noise Block (LNB), and the "indoor unit" composed of the remaining part of the communication chain, including the cable between these two units.

The present document applies to the VSAT with its ancillary equipment and its various terrestrial ports, and operated under the conditions which are within the ranges of humidity, temperature and supply voltage declared by the manufacturer.

The CEPT has adopted the ERC Decision (00)08 [i.3] on the use of the band 10,7 GHz to 12,5 GHz by the fixed service and Earth stations of the broadcasting-satellite and fixed-satellite service (space-to-Earth).

B.3 Transmit only and Transmit and receive C band VSATs

The present document applies to transmit only and also to transmit and receive Very Small Aperture Terminals (VSATs) operating as part of a satellite network (e.g. star, meshed or point to point) used for the distribution and/or exchange of information between users.

In such a network a Centralized Control and Monitoring Function (CCMF) is responsible for the monitoring and control of VSATs.

These VSATs have the following characteristics:

- operating in the exclusive part of the C-band allocated to the Fixed Services (FS) and to the Fixed Satellite Services (FSS), 5,850 GHz to 6,425 GHz (Earth-Space), 3,625 GHz to 4,200 GHz (Space-Earth);
- in these frequency bands circular and linear polarizations are used and the system operates through satellites at 3° spacing;
- designed usually for unattended operation;
- antenna diameter not exceeding 7,3 m, or equivalent corresponding aperture.

These VSATs comprise both the "outdoor unit", usually composed of the antenna subsystem and associated power amplifier and Low Noise Block (LNB), and the "indoor unit" composed of the remaining part of the communication chain, including the cable between these two units.

The present document applies to the VSAT with its ancillary equipment and its various terrestrial ports, and operated under the conditions which are within the ranges of humidity, temperature and supply voltage declared by the manufacturer.

B.4 Receive-only C band VSATs

The present document applies to receive-only Very Small Aperture Terminals (VSATs) operating as part of a satellite network (e.g. star, meshed or point to point) used for the distribution of information.

These VSATs have the following characteristics:

- operating in the exclusive part of the C-band allocated to the Fixed Services (FS) and to the Fixed Satellite Services (FSS) 3,625 GHz to 4,200 GHz (Space-Earth);
- in these frequency bands circular and linear polarizations are used and the system operates through satellites at 3° spacing;

- designed usually for unattended operation;
- antenna diameter not exceeding 7,3 m or equivalent corresponding aperture.

These VSATs comprise both the "outdoor unit", usually composed of the antenna subsystem and associated Low Noise Block (LNB), and the "indoor unit" composed of the remaining part of the communication chain, including the cable between these two units.

The present document applies to the VSAT with its ancillary equipment and its various terrestrial ports, and operated under the conditions which are within the ranges of humidity, temperature and supply voltage declared by the manufacturer.

B.5 Satellite News Gathering (SNG) Ku band Transportable Earth Stations (TESs)

The present document applies to Transportable Earth Stations (TESs) used for Satellite News Gathering (SNG) which can be either an unforeseen or pre-planned activity. The SNG TES is capable of transmitting television signals and associated audio or programme audio only towards a satellite positioned on the geostationary orbit. The modulation method may be either analogue or digital. Such transmissions are point-to-point or point-to-multipoint but not for general broadcast reception.

A Transportable Earth Station (TES) is an earth station that can be relocated at any time to a different fixed operating location but is not intended to operate during the relocation period. The TES can be either vehicle mounted or packed for transportation. The TESs considered in the present document are those designed to operate whilst stationary.

This earth station should include a capability to receive from the satellite for antenna pointing purposes and to monitor its own transmission where the satellite transmission beam permits. The receive equipment could also be used in the process of the two-way communication to control and co-ordinate operation.

These TESs have the following characteristics:

- operating in the exclusive part of the Ku-band allocated to the Fixed Satellite Services (FSS), 12,75 GHz to 13,25 GHz (Earth - Space), 13,75 GHz to 14,50 GHz (Earth-Space), 10,70 GHz to 11,70 GHz (Space-Earth), and/or 12,50 GHz to 12,75 GHz (Space-Earth). Frequencies could be selected from through the entire frequency range or be restricted to a range completely enclosed within those bands. These bands are partly shared between FSS and Fixed Service (FS);
- TES does not operate in any of the Mobile Satellite Service (MSS), e.g. LMSS (Land), AMSS (Aeronautical) and MMSS (Maritime). These are referred to as mobile earth stations;
- in these frequency bands linear polarization is normally used and the system operates through satellites with 3° spacing;
- designed for attended operation;
- antenna diameter not exceeding 5 m, or equivalent corresponding aperture.

NOTE: At present the Radio Regulations restrict the use of the 13,75 GHz to 14,00 GHz band to earth stations having an antenna diameter of 4,5 m or greater and having a transmitting EIRP between 68 dBW and 85 dBW.

These SNG TESs comprise both the antenna sub-system and the associated transmit and receive sub-systems.

The present document does not contain any requirement, recommendation or information about the method of modulation. Such modulation could result in the transmission being either analogue or digital or both simultaneously. The present document does not contain any requirement, recommendation or information about the baseband signals used in the modulation process. Such baseband signals could be pure analogue, digital or a mixture of analogue and digital.

The CEPT has adopted the ERC Decision (00)08 [i.3] on the use of the band 10,7 GHz to 12,5 GHz by the fixed service and Earth stations of the broadcasting-satellite and fixed-satellite service (space-to-Earth).

B.6 Satellite Interactive Terminals (SITs)

The present document applies to the SIT in all its operational conditions, with its ancillary equipment and its various ports and when operated under the conditions which are within the range of humidity, temperature, and supply voltage declared by the manufacturer.

These SITs are used for reception of audio-visual signals as well as data and for providing a return channel for interactive services via satellite.

In such a network a Network Control Facility (NCF) is responsible for the monitoring and control of the transmit functions of the SITs.

These SITs have the following characteristics:

- reception is in the Fixed Satellite Service (FSS) frequency ranges from 10,70 GHz to 11,70 GHz and from 12,50 GHz to 12,75 GHz as well as the Broadcast Satellite Service (BSS) frequency range from 11,70 GHz to 12,50 GHz;
- transmission is in the frequency band allocated to FSS on a primary basis from 29,5 GHz to 30,0 GHz;
- these SITs transmit through geostationary satellites with spacings down to 2° away from any other geostationary satellite operating in the same frequency band and covering the same area;
- linear or circular polarization is used for transmission or reception;
- the received signals may be analogue and/or digital;
- transmitted signals are always of digital nature;
- the SIT antenna diameter does not exceed 1,8 m or equivalent corresponding aperture;
- the SIT is designed for unattended operations.

The equipment considered in the present document comprises both the outdoor unit, usually composed of the antenna subsystem and associated upconverter, power amplifier and Low Noise Block (LNB) downconverter, and the indoor unit, usually composed of receive and transmit logic as well as the modulator, including cables between these two units.

The CEPT has adopted the ERC Decision (00)08 [i.3] on the use of the band 10,7 GHz to 12,5 GHz by the fixed service and Earth stations of the broadcasting-satellite and fixed-satellite service (space-to-Earth).

B.7 Satellite User Terminals (SUTs) transmitting in the frequency range 29,5 GHz to 30,0 GHz

The present document applies to the SUT in all its operational conditions with its ancillary equipment and its various ports and when operated under the conditions which are within the range of humidity, temperature and supply voltage declared by the manufacturer.

These SUTs are used mainly for transmission and reception of data signals.

In such a network a Network Control Facility (NCF) is responsible for the monitoring and control of the transmit functions of the SUTs.

These SUTs have the following characteristics:

- reception is in the frequency band allocated to the Fixed Satellite Service (FSS) on a primary basis from 19,70 GHz to 20,20 GHz;
- transmission is in the frequency band allocated to the Fixed Satellite Service (FSS) on a primary basis from 29,5 GHz to 30,0 GHz;

- these SUTs transmit through geostationary satellites with spacing down to 2° away from any other geostationary satellite operating in the same frequency band and covering the same area;
- linear or circular polarization is used for transmission or reception;
- the received signals may be analogue and/or digital;
- transmitted signals are always of digital nature;
- the SUT antenna diameter does not exceed 1,8 m, or equivalent corresponding aperture;
- the SUT is designed for unattended operations.

The equipment considered in the present document comprises both the outdoor unit, usually composed of the antenna subsystem and associated upconverter, power amplifier and Low Noise Block (LNB) downconverter, and the indoor unit, usually composed of receive and transmit logic as well as the modulator, including the cable between these two units.

B.8 Satellite User Terminals (SUTs) transmitting in the frequency range 27,5 GHz to 29,5 GHz

The present document applies to the SUT in all its operational conditions with its ancillary equipment and its various ports and when operated under the conditions which are within the range of humidity, temperature and supply voltage declared by the manufacturer.

These SUTs are used mainly for transmission and reception of data signals.

In such a network a Network Control Facility (NCF) is responsible for the monitoring and control of the transmit functions of the SUTs.

These SUTs have the following characteristics:

- reception is in the frequency band allocated to the Fixed Satellite Service (FSS) from 17,70 GHz to 19,70 GHz;
- transmission is in the frequency band allocated to the Fixed Satellite Service (FSS) from 27,5 GHz to 29,5 GHz;
- these SUTs transmit through geostationary satellites with spacing down to 2° away from any other geostationary satellite operating in the same frequency band and covering the same area;
- linear or circular polarization is used for transmission and reception;
- the received signals may be analogue and/or digital;
- transmitted signals are always of digital nature;
- the SUT antenna diameter does not exceed 1,8 m, or equivalent corresponding aperture;
- the SUT is designed for unattended operations.

The equipment considered in the present document comprises both the outdoor unit, usually composed of the antenna subsystem and associated upconverter, power amplifier and Low Noise Block (LNB) downconverter, and the indoor unit, usually composed of receive and transmit logic as well as the modulator, including the cable between these two units.

The CEPT has adopted the ERC Decisions (00)07 [i.4] on the shared use of the band 17,7 GHz to 19,7 GHz by the fixed service and Earth stations of the fixed-satellite service (space-to-Earth) and (00)08 [i.3] on the use of the band 10,7 GHz to 12,5 GHz by the fixed service and Earth stations of the broadcasting-satellite.

B.9 Satellite Earth Station on Trains (EST) transmitting in the frequency range 14,0 GHz to 14,5 GHz

The present document applies to the EST in all its operational conditions with its ancillary equipment and its various ports and when operated under the conditions which are within the range of humidity, temperature and supply voltage declared by the manufacturer.

These ESTs are used mainly for transmission and reception of data signals.

In such a network a Network Control Facility (NCF) is responsible for the monitoring and control of the transmit functions of the ESTs.

These ESTs have the following characteristics:

- The EST is comprised of all the equipment, electrical and mechanical, from the antenna itself to the interface with other communications equipment on a train (usually referred to as the terrestrial interface).
- The EST transmits on single carrier in the frequency range 14,00 GHz to 14,25 GHz, which is a portion of a band allocated to the Fixed Satellite Services (FSS) (Earth to space).
- The EST receives in one or more frequencies within the range from 10,70 GHz to 12,75 GHz in bands allocated to the Fixed Satellite Services (FSS) (space to Earth) or the Broadcast Satellite Service (BSS) (space-to-Earth), depending on the ITU Region where the EST is located.
- The EST is designed to operate through a geostationary satellite (or a cluster of co-located geostationary satellites) that is at least 3° away from any other geostationary satellite operating in the same frequencies and over the same coverage area.
- Transmitted and received signals are always of digital nature.
- The EST may transmit and receive data when the train is in motion and also when the train is stationary.
- The EST operates in a railway environment and, therefore, may be subject to occasional disturbances and interruptions in the satellite link.
- The EST is operating as part of a satellite network (e.g. star, mesh or point to point) used for the distribution and/or exchange of information.
- The EST uses linear or circular polarization.
- The EST transmits at elevations greater than or equal to 7° relative to the local horizon.
- The EST is designed for unattended operation.

The equipment considered in the present document comprises both the Externally Mounted Equipment (EME), usually composed of the antenna subsystem and associated upconverter, power amplifier and Low Noise Block (LNB) downconverter, and the Internally Mounted Equipment (IME), usually composed of receive and transmit logic as well as the modulator, including the cable between these two units.

Annex C (informative): Bibliography

- ETSI EN 301 428: "Satellite Earth Stations and Systems (SES); Harmonized EN for Very Small Aperture Terminal (VSAT); Transmit-only, transmit/receive or receive-only satellite earth stations operating in the 11/12/14 GHz frequency bands covering essential requirements under article 3.2 of the Directive 2014/53/EU".
- ETSI EN 301 430: "Satellite Earth Stations and Systems (SES); Harmonized EN for Satellite News Gathering Transportable Earth Stations (SNG TES) operating in the 11-12/13-14 GHz frequency bands covering essential requirements under article 3.2 of the Directive 2014/53/EU".
- ETSI EN 301 443: "Satellite Earth Stations and Systems (SES); Harmonized EN for Very Small Aperture Terminal (VSAT); Transmit-only, transmit-and-receive, receive-only satellite earth stations operating in the 4 GHz and 6 GHz frequency bands covering essential requirements under article 3.2 of the Directive 2014/53/EU".
- ETSI EN 301 459: "Satellite Earth Stations and Systems (SES); Harmonized EN for Satellite Interactive Terminals (SIT) and Satellite User Terminals (SUT) transmitting towards satellites in geostationary orbit in the 29,5 to 30,0 GHz frequency bands covering essential requirements under article 3.2 of the Directive 2014/53/EU".
- ETSI EN 301 360: "Satellite Earth Stations and Systems (SES); Harmonized EN for Satellite User Terminals (SUT) transmitting towards satellites in geostationary orbit in the 27,5 to 29,5 GHz frequency bands covering essential requirements under article 3.2 of the Directive 2014/53/EU".
- ETSI EN 303 978: "Satellite Earth Stations and Systems (SES); Harmonised Standard for Earth Stations on Mobile Platforms (ESOMP) transmitting towards satellites in geostationary orbit, operating in the 27,5 GHz to 30,0 GHz frequency bands covering the essential requirements of article 3.2 of the Directive 2014/53/EU".
- Council Directive 89/336/EEC of 3 May 1989 on the approximation of the laws of the Member States relating to electromagnetic compatibility (EMC Directive).
- Council Directive 73/23/EEC of 19 February 1973 on the harmonization of the laws of Member States relating to electrical equipment designed for use within certain voltage limits (LV Directive).
- ETSI EG 201 399: "Electromagnetic compatibility and Radio spectrum Matters (ERM); A guide to the production of candidate Harmonized Standards for application under the Directive 2014/53/EU".

Annex D (informative): Change history

Version	Information about changes
3.0.0	Updated for RED compliance

History

Document history		
V1.1.1	December 2000	Publication
V1.2.1	May 2003	Publication
V2.2.2	September 2008	Publication
V3.1.0	October 2017	EN Approval Procedure AP 20180103: 2017-10-05 to 2018-01-03
V3.1.1	April 2019	Publication