

Final draft **ETSI EN 301 489-11** V1.3.1 (2006-02)

Candidate Harmonized European Standard (Telecommunications series)

**Electromagnetic compatibility
and Radio spectrum Matters (ERM);
ElectroMagnetic Compatibility (EMC)
standard for radio equipment and services;
Part 11: Specific conditions for terrestrial sound
broadcasting service transmitters**



Reference

REN/ERM-EMC-242-11

Keywords

broadcast, EMC, radio, regulation, testing, VHF

ETSI

650 Route des Lucioles
F-06921 Sophia Antipolis Cedex - FRANCE

Tel.: +33 4 92 94 42 00 Fax: +33 4 93 65 47 16

Siret N° 348 623 562 00017 - NAF 742 C
Association à but non lucratif enregistrée à la
Sous-Préfecture de Grasse (06) N° 7803/88

Important notice

Individual copies of the present document can be downloaded from:

<http://www.etsi.org>

The present document may be made available in more than one electronic version or in print. In any case of existing or perceived difference in contents between such versions, the reference version is the Portable Document Format (PDF). In case of dispute, the reference shall be the printing on ETSI printers of the PDF version kept on a specific network drive within ETSI Secretariat.

Users of the present document should be aware that the document may be subject to revision or change of status. Information on the current status of this and other ETSI documents is available at

<http://portal.etsi.org/tb/status/status.asp>

If you find errors in the present document, please send your comment to one of the following services:

http://portal.etsi.org/chaicor/ETSI_support.asp

Copyright Notification

No part may be reproduced except as authorized by written permission.
The copyright and the foregoing restriction extend to reproduction in all media.

© European Telecommunications Standards Institute 2006.
All rights reserved.

DECTTM, **PLUGTESTS**TM and **UMTS**TM are Trade Marks of ETSI registered for the benefit of its Members.
TIPHONTM and the **TIPHON logo** are Trade Marks currently being registered by ETSI for the benefit of its Members.
3GPPTM is a Trade Mark of ETSI registered for the benefit of its Members and of the 3GPP Organizational Partners.

Contents

Intellectual Property Rights	5
Foreword.....	5
1 Scope	6
2 References	6
3 Definitions symbols and abbreviations	7
3.1 Definitions.....	7
3.2 Symbols.....	7
3.3 Abbreviations	8
4 Test conditions	8
4.1 General	8
4.2 Arrangements for test signals	8
4.2.1 Arrangements for test signals at the input of transmitters.....	8
4.2.2 Arrangements for test signals at the input of transposers, active deflectors, or RF power amplifiers	9
4.2.3 Arrangements for test signals at the output of transmitters, transposers, active deflectors or RF power amplifiers	9
4.3 RF exclusion bands	11
4.3.1 Transmitter and RF power amplifier exclusion band.....	11
4.3.1.1 Transmitter and RF power amplifier exclusion band for FM.....	11
4.3.1.2 Transmitter exclusion band for AM.....	11
4.3.1.3 Transmitter exclusion band for DRM	11
4.3.1.4 Transmitter and RF power amplifier exclusion band for T-DAB	11
4.3.2 Active deflector exclusion band.....	11
4.3.3 Transposer exclusion bands	12
4.4 Narrow band responses of receivers	12
4.5 Normal test modulation	12
5 Performance assessment.....	12
5.1 General	12
5.2 Equipment which can provide a continuous communication link as a broadcasting transmission.....	13
5.3 Equipment which does not provide a continuous communication link as a broadcasting transmission.....	13
5.4 Ancillary equipment	13
5.5 Equipment classification	13
6 Performance criteria	13
6.1 Performance criteria for continuous phenomena applied to transmitters (CT).....	13
6.2 Performance criteria for transient phenomena applied to Transmitters (TT)	14
7 Applicability overview	15
7.1 Emission.....	15
7.1.1 General.....	15
7.1.2 Special conditions	15
7.2 Immunity	15
7.2.1 General.....	15
7.2.2 Special conditions	16
Annex A (normative): Method of measurement for MER	17
Annex B (informative): Types of broadcasting service equipment covered by the present document	19
B.1 AM sound broadcasting transmitters.....	19
B.2 FM sound broadcasting transmitters	19
B.3 DRM sound broadcasting transmitters	19
B.4 T-DAB sound broadcasting transmitters.....	19

Annex C (informative):	Bibliography.....	20
Annex D (informative):	The EN title in the official languages	21
History		23

Intellectual Property Rights

IPRs essential or potentially essential to the present document may have been declared to ETSI. The information pertaining to these essential IPRs, if any, is publicly available for **ETSI members and non-members**, and can be found in ETSI SR 000 314: "*Intellectual Property Rights (IPRs); Essential, or potentially Essential, IPRs notified to ETSI in respect of ETSI standards*", which is available from the ETSI Secretariat. Latest updates are available on the ETSI Web server (<http://webapp.etsi.org/IPR/home.asp>).

Pursuant to the ETSI IPR Policy, no investigation, including IPR searches, has been carried out by ETSI. No guarantee can be given as to the existence of other IPRs not referenced in ETSI SR 000 314 (or the updates on the ETSI Web server) which are, or may be, or may become, essential to the present document.

Foreword

This Candidate Harmonized European Standard (Telecommunications series) has been produced by ETSI Technical Committee Electromagnetic compatibility and Radio spectrum Matters (ERM), and is now submitted for the Vote phase of the ETSI standards Two-step Approval Procedure.

The present document has been produced by ETSI in response to a mandate from the European Commission issued under Council Directive 98/34/EC [8] (as amended) laying down a procedure for the provision of information in the field of technical standards and regulations.

The present document is intended to become a Harmonized Standard, the reference of which will be published in the Official Journal of the European Communities referencing the Council Directive on the approximation of the laws of the Member States relating to electromagnetic compatibility ("the EMC Directive") (89/336/EEC [2] as amended) and Directive 1999/5/EC [3] of the European Parliament and of the Council of 9 March 1999 on radio equipment and telecommunications terminal equipment and the mutual recognition of their conformity ("the R&TTE Directive").

The present document is part 11 of a multi-part deliverable. Full details of the entire series can be found in part 1 [1].

Proposed national transposition dates	
Date of latest announcement of this EN (doa):	3 months after ETSI publication
Date of latest publication of new National Standard or endorsement of this EN (dop/e):	6 months after doa
Date of withdrawal of any conflicting National Standard (dow):	18 months after doa

1 Scope

The present document, together with EN 301 489-1 [1], covers the assessment of transmitters, excitors, and any associated ancillary equipment dedicated for radio broadcasting services, in respect of ElectroMagnetic Compatibility (EMC).

Technical specifications related to the antenna port emissions and cabinet radiation are not included in the present document. Such technical specifications are found in the relevant product standards of ETSI for the effective use of the radio spectrum.

The present document specifies the applicable test conditions, performance assessment and performance criteria for terrestrial sound broadcasting transmitters and their associated ancillary equipment.

Definitions of the type of broadcast transmitters and excitors covered by the present document are given in annex A.

In case of differences (for instance concerning special conditions, definitions, abbreviations) between the present document and EN 301 489-1 [1], the provisions of the present document take precedence.

The environmental classification and the emission and immunity requirements used in the present document are as stated in EN 301 489-1 [1], except for any specific conditions included in the present document, under which broadcast service transmitters are typically used.

The present document may not cover those cases where a potential source of interference which is producing individually repeated transient phenomena or continuous phenomena is permanently present, e.g. a radar site in the near vicinity. In such a case it may be necessary to use special protection applied to either the source of interference or the interfered part or both.

2 References

The following documents contain provisions which, through reference in this text, constitute provisions of the present document.

- References are either specific (identified by date of publication and/or edition number or version number) or non-specific.
- For a specific reference, subsequent revisions do not apply.
- For a non-specific reference, the latest version applies.

Referenced documents which are not found to be publicly available in the expected location might be found at <http://docbox.etsi.org/Reference>.

- [1] ETSI EN 301 489-1: "Electromagnetic compatibility and Radio spectrum Matters (ERM); ElectroMagnetic Compatibility (EMC) standard for radio equipment and services; Part 1: Common technical requirements".
- [2] Council Directive 89/336/EEC of 3 May 1989 on the approximation of the laws of the Member States relating to electromagnetic compatibility (EMC Directive).
- [3] Directive 1999/5/EC of the European Parliament and of the Council of 9 March 1999 on radio equipment and telecommunications terminal equipment and the mutual recognition of their conformity (R&TTE Directive).
- [4] CENELEC EN 55011 (1998): "Industrial, scientific and medical (ISM) radio-frequency equipment - Radio disturbance characteristics - Limits and methods of measurement".
- [5] CENELEC EN 61000-4-3-am1 (2002): "Electromagnetic compatibility (EMC) - Part 4-3: Testing and measurement techniques - Radiated, radio-frequency, electromagnetic field immunity test".
- [6] FINAL ACTS of the CEPT T-DAB-Planning Meeting Wiesbaden 1995.

- [7] FINAL ACTS of the CEPT T-DAB Planning Meeting (4) Maastricht, 2002: "Special Arrangement of the European Conference of Postal and Telecommunications Administrations (CEPT) relating to the use of the band 1 452 - 1 479.5 MHz for Terrestrial Digital Audio Broadcasting (T-DAB)".
- [8] Directive 98/34/EC of the European Parliament and of the Council of 22 June 1998 laying down a procedure for the provision of information in the field of technical standards and regulations.
- [9] ETSI ETS 300 799: "Digital Audio Broadcasting (DAB) distribution interfaces; Ensemble Transport Interface (ETI)".
- [10] ETSI TS 102 820 (V1.1.1): "Digital Radio Mondiale (DRM) Multiplex Distribution Interface (MDI)".
- [11] ITU-R Recommendation SM.329-10: "Unwanted emissions in the spurious domain".

3 Definitions symbols and abbreviations

3.1 Definitions

For the purposes of the present document, the terms and definitions given in EN 301 489-1 [1] and the following apply:

broadcasting service: radiocommunication service in which the transmissions are intended for direct reception by the general public

NOTE: This service may include sound transmission, television transmission, or other types of transmission.

active deflector: Tx/Rx (transceiver, repeater, gap filler), which receives an input signal off-air, and re-broadcasts the same signal on the same frequency

Exciter/Modulator: low level RF power stage of a broadcasting transmitter

modulation error ratio: single "figure of merit" analysis of the transmitted signal

NOTE: See annex A.

necessary bandwidth: As defined in ITU-R Recommendation SM.329-10 [11].

RF power amplifier: Tx, which comprises an amplifier, declared by the manufacturer to be capable of being connected to a terrestrial broadcasting antenna system

transposer: Tx/Rx (transceiver), which receives an input signal off-air, and re-broadcasts the same signal on a different frequency

3.2 Symbols

For the purposes of the present document, the following symbols apply:

%	percent
μ	micro, 10 ⁻⁶
A	Ampere
Hz	Hertz (cycles per second)
M	Mega (i.e. 10 ⁶)
m	metre
W	Watt

3.3 Abbreviations

For the purposes of the present document, the following abbreviations apply:

AC	Alternating Current
AM	Amplitude Modulation
BER	Bit Error Ratio
CISPR	Comité International Spécial des Perturbations Radioélectriques (International Special Committee On Radio Interference)
DC	Direct Current
DRM	Digital Radio Mondiale
EMC	ElectroMagnetic Compatibility
EUT	Equipment Under Test
FM	Frequency Modulation
HF	High Frequency
IF	Intermediate Frequency
LF	Low Frequency
MER	Modulation Error Ratio
MF	Medium Frequency
MPX	MultiPleX
RDS	Radio Data System
RF	Radio Frequency
Rx	Receiver
SNR	Signal to Noise Ratio
T-DAB	Terrestrial-Digital Audio Broadcast
Tx	Transmitter
VA	Volt Amperes
VHF	Very High Frequency

4 Test conditions

For the purposes of the present document, the test conditions of EN 301 489-1 [1], clause 4, shall apply as appropriate. Further provisions related to test conditions for broadcasting service transmitters are specified in the present document.

4.1 General

For emission and immunity tests the test modulation, test arrangements, etc., as specified in the present document, clauses 4.1 to 4.5, shall apply.

For immunity tests, the output of the Tx shall be monitored as specified in the present document, clause 4.2.3.

4.2 Arrangements for test signals

The provisions of EN 301 489-1 [1], clause 4.2 shall apply.

4.2.1 Arrangements for test signals at the input of transmitters

The provisions of EN 301 489-1 [1], clause 4.2.1 shall apply, with the following modifications.

If the transmitter under test incorporates base-band processing and/or coding equipment (e.g. a RDS encoder for a FM transmitter), then this equipment shall be active as in normal operation. The manufacturer shall provide reference encoders and the tests shall be carried out with these in operational mode.

If the transmitter under test does not include integrated base-band processing and/or coding equipment, the manufacturer shall declare whether the transmitter is designed for operation with or without encoder(s). The manufacturer shall clearly state this in the product documentation.

If the transmitter under test is designed for operation with externally fitted encoder(s), then it is left to the decision of the manufacturer whether the transmitter under test shall be tested with such encoder(s). Depending on the manufacturer's decision, the manufacturer may have to provide reference encoders and the tests shall be carried out with these in operational mode.

Any unused input port of the transmitter under test shall be terminated according to the manufacturer's instructions.

4.2.2 Arrangements for test signals at the input of transposers, active deflectors, or RF power amplifiers

The provisions of EN 301 489-1 [1], clause 4.2.2 shall apply with the following modifications.

In case of transposers and active deflectors, the wanted RF input signal, at a frequency determined from the manufacturer's specification, shall be set to a level equal to the mid point of the range declared by the manufacturer.

In case of RF amplifiers, the wanted RF input signal at a level equal to the mid point of the range declared by the manufacturer shall be delivered from an adequate external modulator provided by the manufacturer. The modulator shall be placed outside the test environment.

A broadcasting transmission shall be established at the start of the test and maintained during the test.

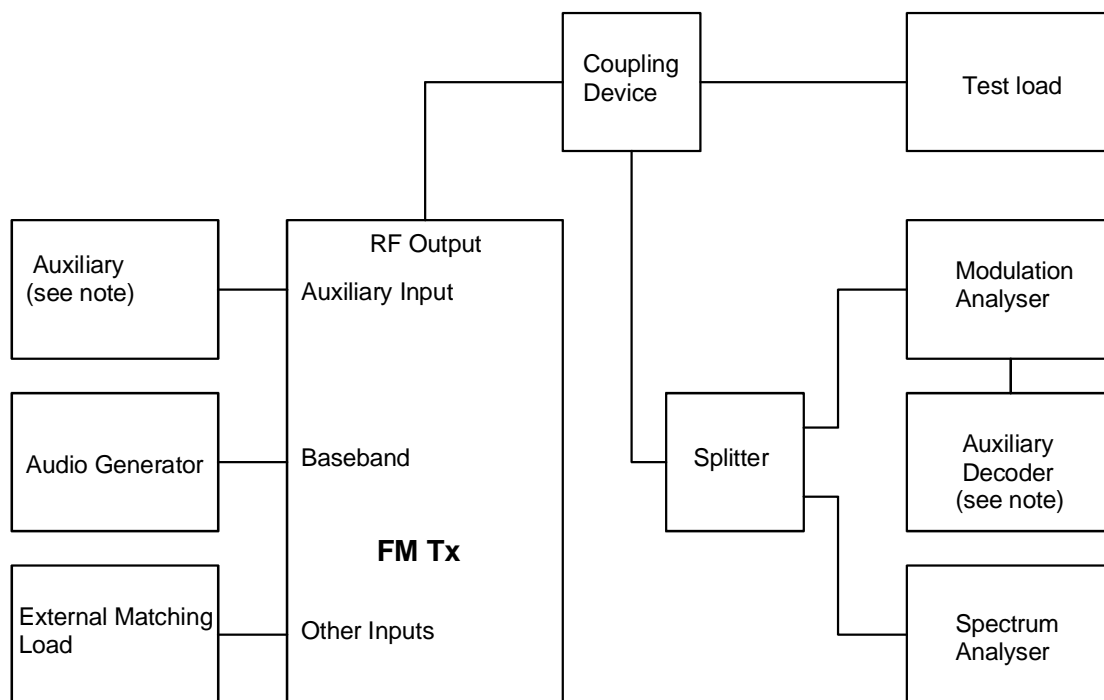
4.2.3 Arrangements for test signals at the output of transmitters, transposers, active deflectors or RF power amplifiers

The provisions of EN 301 489-1 [1], clause 4.2.3 shall apply with the following modifications.

Typical test arrangements to assess the performance of the EUT are shown in:

- figure 4.1 for VHF FM transmitters;
- figure 4.2 for LF, MF and HF AM transmitters;
- figure 4.3 for T-DAB and DRM transmitters.

NOTE: In practice it is not necessary to use all the individual instrumentation shown in the figures. For specific measurement requirements refer to table 6.1.



NOTE: For FM transmitters which use Auxiliary encoder e.g. RDS, data radio channel, etc.

Figure 4.1: Typical test arrangement for the performance assessment of an FM transmitter

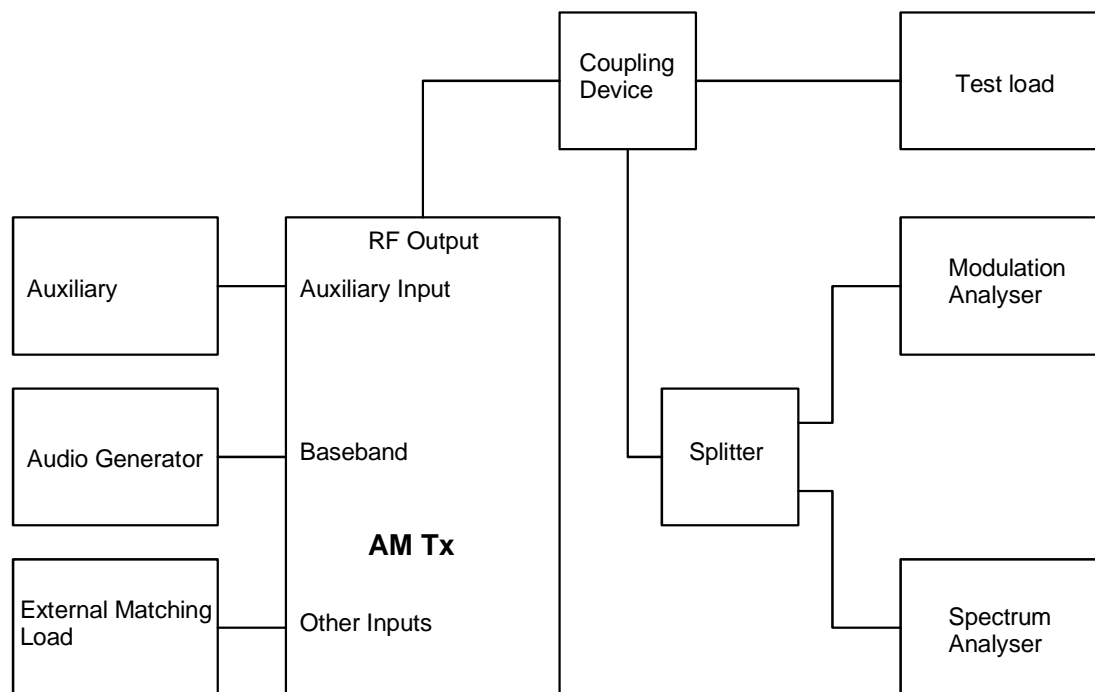


Figure 4.2: Typical test arrangement for the performance assessment of an LF, MF, or HF AM transmitter

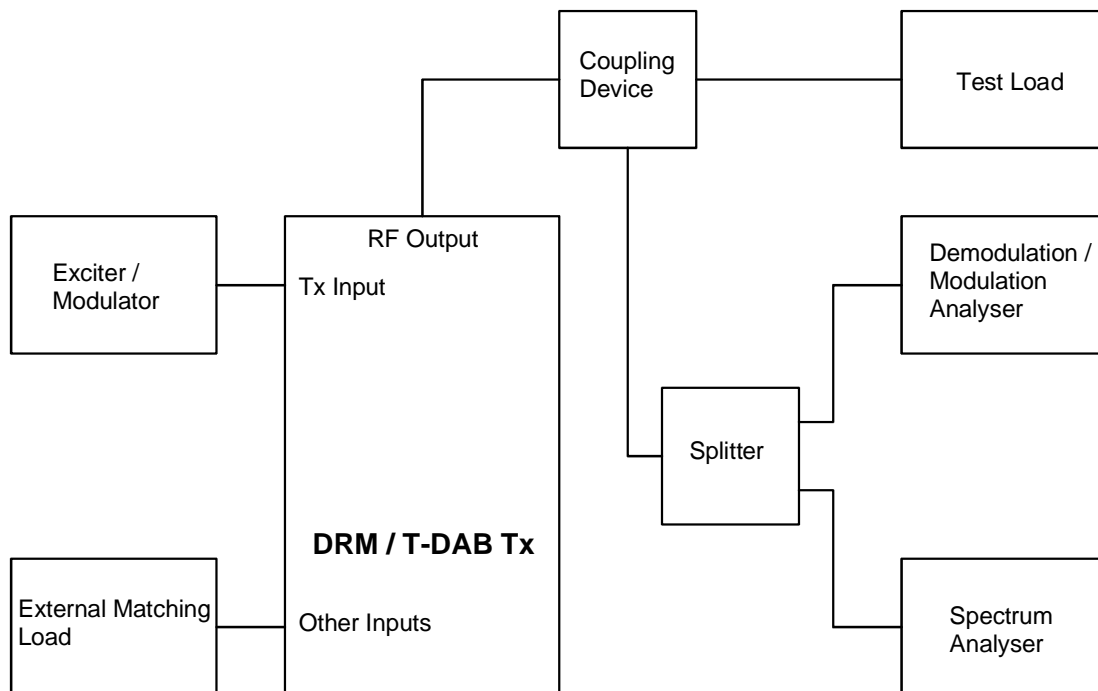


Figure 4.3: Typical test arrangement for the performance assessment of a T-DAB/DRM transmitter

4.3 RF exclusion bands

The provisions of EN 301 489-1 [1], clause 4.3 shall apply with the modifications set out in the clauses 4.3.1 to 4.3.3.

4.3.1 Transmitter and RF power amplifier exclusion band

4.3.1.1 Transmitter and RF power amplifier exclusion band for FM

The exclusion band for FM broadcasting transmitters and/or power amplifiers extends from $f_c - 300$ kHz to $f_c + 300$ kHz, where f_c is the operating frequency.

4.3.1.2 Transmitter exclusion band for AM

The exclusion band for AM broadcasting transmitters shall be ± 500 % of the necessary bandwidth.

4.3.1.3 Transmitter exclusion band for DRM

The exclusion band for DRM broadcasting transmitters shall be ± 500 % of the necessary bandwidth.

4.3.1.4 Transmitter and RF power amplifier exclusion band for T-DAB

The exclusion band for the transmitter and/or power amplifier extends from $f_c - 3$ MHz to $f_c + 3$ MHz, where f_c is the operating frequency.

4.3.2 Active deflector exclusion band

The exclusion band for the active deflector (transmitting and receiving elements) is equal to the channel centre frequency -5 % to $+5$ %.

Special precautions shall be taken to avoid the wanted RF output of the active deflector from disturbing the signal at the RF input port.

4.3.3 Transposer exclusion bands

For emission measurements, the transposer exclusion band shall comprise the exclusion band of the transmitting element of the equipment under test only.

For immunity tests with continuous phenomena, the transposer exclusion bands shall comprise both the exclusion bands of the transmitting and receiving elements of the equipment under test.

The exclusion band for the transposer (transmitting and receiving elements) is equal to the channel centre frequency for each element -5 % to +5 %.

For the receiver part of the transposer, the exclusion band takes into account the blocking effect that may occur due to the high level of the immunity test fieldstrength (10 V/m) in regard to the RF input level of that receiver part (which is usually less than 1 mV).

4.4 Narrow band responses of receivers

The provisions of EN 301 489-1 [1], clause 4.4 shall apply during the immunity tests of transposers and active deflectors to continuous phenomena.

4.5 Normal test modulation

For the purpose of EMC tests, the transmitter under test shall be modulated according to the normal test modulation as specified below:

- FM: 1 kHz audio tone of sufficient amplitude to achieve ± 50 kHz deviation.
- AM: 1 kHz audio tone of sufficient amplitude to achieve 80 % modulation depth.
- For T-DAB and DRM transmitters with audio encoders the audio input port should be terminated (i.e. no modulating signal).
- For T-DAB transmitters without an audio encoder a datastream conforming to ETS 300 799 [9] shall be presented to the MPX input.
- For DRM transmitters without an audio encoder a datastream conforming to TS 102 820 [10] shall be presented to the MPX input.

The characteristics of the wanted RF and modulation test signal used shall be recorded in the test report.

5 Performance assessment

5.1 General

The provisions of EN 301 489-1 [1], clause 5.1 shall apply.

In addition, the manufacturer shall, at the time of submission of the equipment for testing, declare the following information, also to be recorded in the test report, as appropriate:

- the frequencies as used in the transmitter for oscillators, clocks and intermediate frequencies;
- the bandwidth of the IF filter, or the bandwidth of the RF filter if no IF signal processing is used;
- for RF amplifiers, the nominal level of the wanted RF input signal to be used for the EMC tests.

For transmitters supplied for testing, which do not include integrated base-band processing and/or coding equipment, the manufacturer shall declare whether the transmitter is designed for operation with or without encoder(s), for inclusion in the product documentation. The manufacturer shall declare whether the EMC tests shall be performed with external encoder(s) fitted to the transmitter.

5.2 Equipment which can provide a continuous communication link as a broadcasting transmission

The provisions of EN 301 489-1 [1], clause 5.2 shall apply.

5.3 Equipment which does not provide a continuous communication link as a broadcasting transmission

Not applicable.

5.4 Ancillary equipment

The provisions of EN 301 489-1 [1], clause 5.4 shall apply.

5.5 Equipment classification

Unless specified otherwise in clauses 7.1.2 and/or 7.2.2 of the present document, broadcasting service transmitters and associated ancillary equipment in the scope of the present document shall meet the requirements for base station and ancillary equipment set out in EN 301 489-1 [1], clauses 7.8 and 9.

6 Performance criteria

The provisions of EN 301 489-1 [1], clause 6 shall apply.

6.1 Performance criteria for continuous phenomena applied to transmitters (CT)

The provisions of EN 301 489-1 [1], clause 6.1 shall apply with the following modifications.

A broadcasting transmission link shall be established between the EUT and the monitoring equipment at the start of the test, and maintained during the test.

The parameters specified in table 6.1 shall be used to assess the performance of the Tx under test for continuous phenomena. During each individual exposure in the test sequence, it shall be verified that the characteristics of the wanted output signals remain within the permitted value ranges listed in table 6.1.

The performance of the Tx under test shall be assessed during the exposure with error correction activated and/or pre-emphasis and de-emphasis inserted into the transmission line, if appropriate.

Table 6.1: Performance criteria for continuous phenomena

Type of Equipment	Parameters	Reference values measured during pre-tests	Permitted values during immunity tests
FM equipment	RF power variation RF frequency variation Audio SNR BER from RDS	RF power RF frequency SNR ≥ 72 dB (unweighted) BER $\leq 10^{-6}$	RF power ± 5 % RF frequency ± 2 kHz SNR ≥ 60 dB (unweighted) BER $\leq 10^{-5}$
LF, MF, and HF transmitters	RF power variation Audio SNR	RF power Manufacturers declared audio SNR	RF Power ± 5 % Manufacturers declared minimum audio SNR
T-DAB	RF power variation BER measured after error correction	RF power BER $\leq 10^{-6}$	RF power ± 5 % BER $\leq 10^{-4}$
DRM	RF power variation MER measured after error correction	RF power MER ≥ 30 dB	RF power ± 5 % MER ≥ 27 dB

During the test the readings of the parameters monitored by the test instrumentation shall remain within the permitted value ranges during the immunity tests, specified in table 6.1.

At the conclusion of the total test, the EUT shall operate as intended, with no loss of control functions or stored data, as declared by the manufacturer, and the broadcasting transmission link shall have been maintained. The readings of the parameters monitored by the test instrumentation shall regain their reference values measured during the pre-test.

No false alarms or abnormal commands shall be generated as a result of the electromagnetic stress. Alarms indicating well-defined incidents due to the electromagnetic stress affecting the general performance of the transmitter under test may however occur. It shall be possible to reset these alarms by manual operation of controls.

Where the EUT provides a stand-by mode, the exposure shall be repeated in this mode to ensure that no unintentional transmission occurs.

6.2 Performance criteria for transient phenomena applied to Transmitters (TT)

The provisions of EN 301 489-1 [1], clause 6.2 shall apply with the following modifications.

A broadcasting transmission link shall be established between the EUT and the monitoring equipment at the start of the test.

During the tests, no assessment of the actual performance applies.

The broadcasting transmission link shall be automatically regained at the conclusion of each individual test exposure.

At the conclusion of the total test, the EUT shall operate as intended, with no loss of control functions or stored data, as declared by the manufacturer, and the broadcasting transmission link shall have been maintained, or regained. The readings of the parameters monitored by the test instrumentation shall regain their nominal values measured during the pre-test.

No false alarms or abnormal commands shall be generated as a result of the electromagnetic stress. Alarms indicating well-defined incidents due to the electromagnetic stress temporarily affecting the general performance of the transmitter under test may however occur. It shall be possible to reset these alarms by manual operation of controls.

Where the EUT provides a stand-by mode, the test shall be repeated in this mode to ensure that no unintentional transmission occurs.

7 Applicability overview

7.1 Emission

7.1.1 General

Table 2 in EN 301 489-1 [1] contains the applicability of emission measurements to the relevant ports of radio and/or associated ancillary equipment.

Table 2 in EN 301 489-1 [1] shall apply.

7.1.2 Special conditions

The following special conditions set out in table 7.1 of the present document relate to the method of measurement and limits for EMC emissions used in EN 301 489-1 [1] clause 8.

Table 7.1: Special conditions for EMC emission measurements

Reference to clauses in EN 301 489-1 [1]	Special product-related conditions, additional to or modifying the test conditions and limits in EN 301 489-1 [1]			
8.3.2 Test method; DC power input/output ports and 8.4.2 Test method; AC mains power input/output ports	For ports of transmitters drawing a power of greater than 200 W (DC) or greater than 200 VA (AC) respectively, the test method shall be in accordance with EN 55011 [4].			
8.3.3 Limits; DC power input/output ports and 8.4.3 Limits; AC mains power input/output ports	For ports of transmitters drawing a power of less than or equal to 200 W (DC) or less than or equal to 200 VA (AC) respectively, the emission limits specified in EN 301 489-1 [1] clauses 8.3.3 and 8.4.3 shall be applied as appropriate. For transmitters drawing a DC power greater than 200 W or an AC power of greater than 200 VA the following limits shall be applied.			
	Limits for conducted emissions on AC and DC ports of transmitters			
	AC Power (kVA) DC Power (kW)	Limits (dB μ V)		Frequency range (MHz)
		Quasi-peak	Average	
	> 0,2 to 2	79	66	0,15 to 0,5
		73	60	> 0,5 to 30
	> 2 to 10	89	76	0,15 to 0,5
		83	70	> 0,5 to 30
	> 10 to 75	100	90	0,15 to 0,5
		86	76	> 0,5 to 5
		90 to 70 (see note 1)	80 to 60 (see note 1)	5 to 30
	> 75	130 (see note 2)	120 (see note 2)	0,15 to 0,5
		125 (see note 2)	115 (see note 2)	> 0,5 to 5
		115 (see note 2)	105 (see note 2)	5 to 30

NOTE 1: Limits decreasing linearly with the logarithm of frequency.
NOTE 2: Measured with CISPR voltage probe, see EN 55011 [4], figure 4.

7.2 Immunity

7.2.1 General

Table 3 in EN 301 489-1 [1] contains the applicability of immunity measurements to the relevant ports of transmitters and/or associated ancillary equipment.

Table 3 in EN 301 489-1 [1] shall apply with the test signal levels set out in the present document.

7.2.2 Special conditions

The following special conditions set out in table 7.2 relate to the immunity test methods and levels used in EN 301 489-1 [1] clause 9.

Table 7.2: Special conditions for EMC immunity tests

Reference to clauses in EN 301 489-1 [1]	Special product-related conditions, additional to or modifying the test conditions and limits in EN 301 489-1 [1]
9.2.2 Test method; Radio frequency electromagnetic field	The test method is described in EN 61000-4-3/A1 [5]. The level of the immunity RF test signal shall be 10V/m (measured unmodulated). The tests shall be performed over the total frequency range 80 MHz to 2 000 MHz (including the frequency range 1 000 MHz to 1 400 MHz). RF immunity testing need not be carried out under the following conditions: Where for AC powered equipment, the input current exceeds 16A per phase (at 230 V); or the RF output power is greater than 5 kW; Where for DC powered equipment the input power exceeds 2 kW.
9.4.2 Test method; Fast transients, common mode	The following immunity test levels shall be applied: on AC mains power input ports: ± 2 kV; on DC power input, modulation input, and data cable ports: ± 1 kV, only if intended for connection to cables longer than 3 m. If the current consumption of the transmitter exceeds the capability of the test equipment then where possible sensitive electronics (exciters, etc.) may be tested separately.
9.5.2 Test method; RF common mode	The level of the immunity RF test signal shall be 10 V rms (measured unmodulated). RF immunity testing need not be carried out under the following conditions: Where for AC powered equipment, the input current exceeds 16 A per phase (at 230 V), or the RF output power is greater than 5 kW. Where for DC powered equipment the input power exceeds 2 kW. Under these conditions the conducted RF immunity test described in EN 301 489-1 [1], clause 9.5 shall be used only, with the test frequency range extended up to 230 MHz and the test level set to 10 V rms (measured unmodulated).
9.7 Voltage dips and interruptions	If the current consumption of the transmitter exceeds the capability of the test equipment then where possible sensitive electronics (exciters, etc.) may be tested separately.
9.8 Surges	If the current consumption of the transmitter exceeds the capability of the test equipment then where possible sensitive electronics (exciters, etc.) may be tested separately.
9.8.2 Test method; Surges	The following immunity test levels and performance criteria shall be applied: AC mains power input ports: - line to line mode: ± 1 kV; - line to ground mode: ± 2 kV. If the current consumption of the transmitter exceeds the capability of the test equipment then where possible sensitive electronics (exciters, etc.) may be tested separately. Telecommunication ports: - line to ground mode: ± 2 kV.

Annex A (normative): Method of measurement for MER

The carrier frequency of the OFDM signal and the symbol timing are recovered. Origin offset of the centre carrier (e.g. caused by residual carrier or DC offset), Quadrature Error (QE) and Amplitude Imbalance (AI) are not corrected.

A time record of N received symbol co-ordinate pairs (I_j , Q_j) is captured.

For each received symbol, a decision is made as to which symbol was transmitted. The error vector is defined as the distance from the ideal position of the chosen symbol (the centre of the decision box) to the actual position of the received symbol.

This distance can be expressed as a vector (δI_j , δQ_j).

The sum of the squares of the magnitudes of the ideal symbol vectors is divided by the sum of the squares of the magnitudes of the symbol error vectors. The result, expressed as a power ratio in dB, is defined as the MER.

$$MER = 10 \times \log_{10} \left\{ \frac{\sum_{j=1}^N (I_j^2 + Q_j^2)}{\sum_{j=1}^N (\delta I_j^2 + \delta Q_j^2)} \right\} dB$$

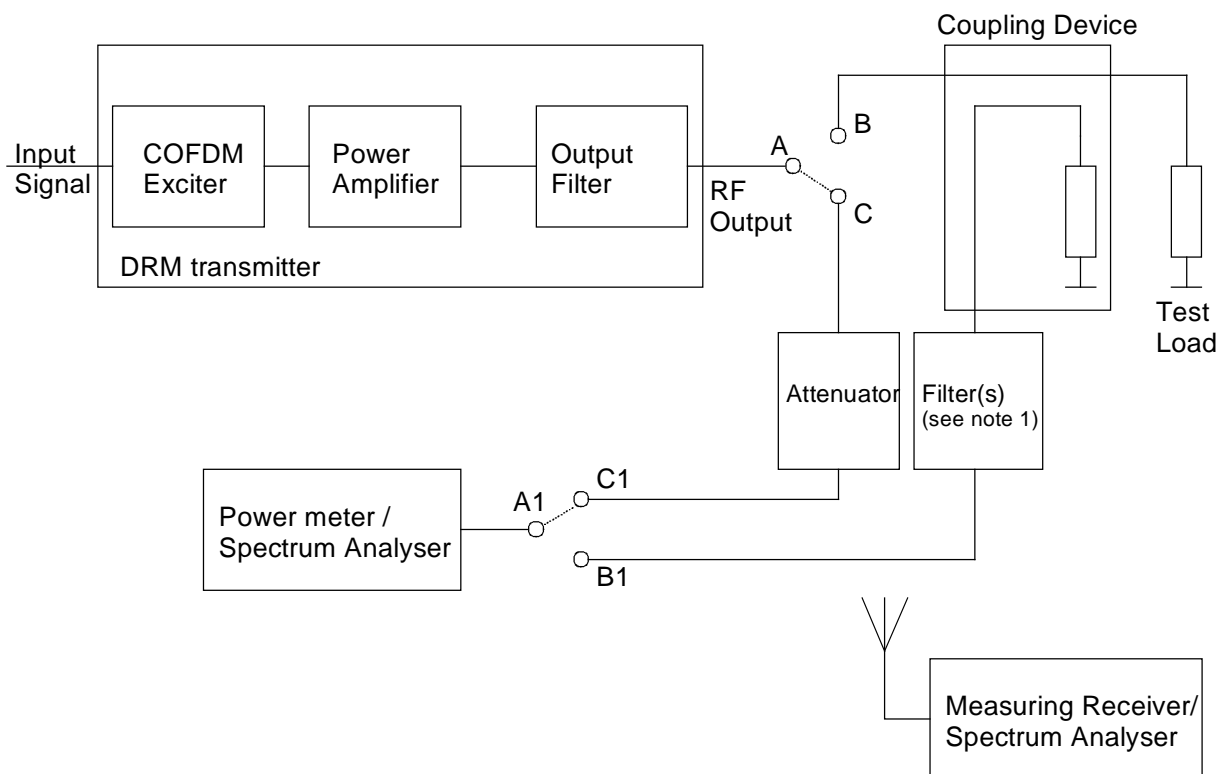
Measurements are taken at the transmitter output using the set-up shown in figure A.1.

The measurement should be determined with the use of a receiver with the lowest possible noise factor in order to avoid causing distortion.

Operate the transmitter at its nominal output power. Measure the MER at the different modulation modes (QAM64 as well as QAM16).

Measurements are taken on all the carriers with an integration period taking into account the average value over 100 OFDM symbols.

The result will be presented in a table or graphs for the different modulation modes.



NOTE 1: Filter(s) not used in Rated output power measurements.

The optional filter should suppress the output signal so that no intermodulation products are generated by the spectrum analyser. The insertion loss throughout the measuring range should be known.

NOTE 2: For high power transmitters the preferred set up would require A to be connected to B and A1 to be connected to B1.

NOTE 3: For low power transmitters the preferred set up would require A to be connected to C and A1 to be connected to C1.

NOTE 4: For enclosure port measurements the "Measuring Receiver/Spectrum Analyser" is used to measure the results.

NOTE 5: In the case of a DRM transmitter supplied without an internal band-pass output filter, the manufacturer shall specify the characteristics of the filter necessary to fulfil the spurious emission limits defined in table 4.1 and the out-of-band emission limit defined in table 4.2. In this case, the antenna port measurements shall be performed at the output of this extra filter.

Figure A.1: Testing arrangement for antenna port (and MER) measurements

Annex B (informative): Types of broadcasting service equipment covered by the present document

B.1 AM sound broadcasting transmitters

Double side band AM sound broadcasting transmitters operating in the LF, MF and HF bands.

B.2 FM sound broadcasting transmitters

Monophonic FM sound broadcasting transmitters operating in the frequency range 68 MHz to 108 MHz.

Stereophonic FM sound broadcasting transmitters operating in the frequency range 68 MHz to 108 MHz.

Active deflectors operating in the band 68 MHz to 108 MHz.

Transposers operating in the band 68 MHz to 108 MHz.

B.3 DRM sound broadcasting transmitters

DRM transmitters operating in the harmonized LF, MF and HF terrestrial sound broadcast bands.

B.4 T-DAB sound broadcasting transmitters

At the time the present document was drafted the following bands were allocated to T-DAB (Wiesbaden agreement [6] Maastricht agreement [7]).

- 47 MHz to 68 MHz.
- 174 MHz to 240 MHz.
- 1 452 MHz to 1 492 MHz.

Annex C (informative): Bibliography

- CENELEC EN 50067 (1998): "Specification of the radio data system (RDS) for VHF/FM sound broadcasting in the frequency range from 87,5 to 108,0 MHz".
- IEC 60244-1 (1999): "Methods of measurement for radio transmitters - Part 1: General characteristics for broadcast transmitters"
- IEC 60244-13: "Methods of measurement for radio transmitters; Part 13: Performance characteristics for FM sound broadcasting".
- IEC 60244-15 (1999): "Methods of measurement for radio transmitters - Part 15: Amplitude-modulated transmitters for sound broadcasting"
- ITU-T Recommendation O.151: "Error performance measuring equipment operating at the primary rate and above".
- ITU-R Recommendation BS.468-4 (1990): "Measurement of audio-frequency noise voltage level in sound broadcasting".

Annex D (informative): The EN title in the official languages

Language	EN title
Czech	Elektromagnetická kompatibilita a rádiové spektrum (ERM); Norma pro elektromagnetickou kompatibilitu (EMC) rádiových zařízení a služeb; Část 11: Specifické podmínky pro zemské vysílače služby rozhlasového vysílání
Danish	Elektromagnetisk kompatibilitet og radiospektrumanliggender (ERM); elektromagnetisk kompatibilitet (EMC) for radioudstyr og tjenester; Del 11: Særlige krav til landbaserede radiofonisendere
Dutch	Elektromagnetische compatibiliteit en radiospectrumzaken (ERM); Elektromagnetische compatibiliteit (EMC) norm voor radioapparatuur en radiodiensten; Deel 11: Specifieke voorwaarden voor terrestrische radio-omroepzenders
English	Electromagnetic compatibility and Radio spectrum Matters (ERM); ElectroMagnetic Compatibility (EMC) standard for radio equipment and services; Part 11: Specific conditions for terrestrial sound broadcasting service transmitters
Estonian	Elektromagnetilise ühilduvuse ja raadiospektri küsimused (ERM); Raadioseadmete ja raadiosideteenistuste elektromagnetilise ühilduvuse (EMC) standard; Osa 11: Eritingimused maapealset raadioringhäälingu saatjatele
Finnish	Sähkömagneettinen yhteensopivuus ja radiospektriasiat (ERM); Sähkömagneettinen yhteensopivuusstandardi (EMC) radiolaitteille ja -järjestelmille; Osa 11: Erytisehdot maapäällisen ääniyleisradiotoiminnan lähettimille
French	Compatibilité électromagnétique et spectre radioélectrique (ERM); Norme de compatibilité électromagnétique pour les équipements et les services radio; Partie 11: Conditions particulières pour les émetteurs du service de radiodiffusion sonore terrestre
German	Elektromagnetische Verträglichkeit und Funkspektrumangelegenheiten (ERM); Elektromagnetische Verträglichkeit (EMV) für Funkeinrichtungen und -dienste; Teil 11: Spezifische Bedingungen arbeitende von Sendern für den terrestrischen Hörrundfunkdienst
Greek	Ηλεκτρομαγνητική Συμβατότητα και Θέματα Ραδιοφάσματος (ERM) - Πρότυπο ηλεκτρομαγνητικής συμβατότητας (EMC) για ραδιοσυσκευές και ραδιοϋπηρεσίες - Μέρος 11: Είδικες συνθήκες για πομπούς επίγειας υπηρεσίας ραδιοφωνικών εκπομπών
Hungarian	Elektromágneses összeférhetőségi és rádióspektrumügyek (ERM). Rádióberendezések és -szolgáltatások elektromágneses összeférhetőségi (EMC) szabványa. 11. rész: A földi hangműsorszóró szolgálat adóinak sajátos feltételei
Icelandic	Þættir sem varða rafsegulsviðssamhæfi og fjarskiptatíðni (ERM); Staðall um rafsegulsviðssamhæfi (EMC) fyrir þráðlausan fjarskiptabúnað og þjónustu; 11. hluti: Sérstök skilyrði um landsendistöðvar til hljóðvarpsþjónustu
Italian	Compatibilità elettromagnetica e Questioni relative allo spettro delle radiofrequenze (ERM); Norma di compatibilità elettromagnetica (EMC) per apparati e servizi radio; Parte 11: Condizioni specifiche per trasmettitori del servizio di radiodiffusione audio terrestre
Latvian	Elektromagnētiskā saderība un radiofrekvenču spektra jautājumi (ERM) - Elektromagnētiskās saderības (EMS) standarts radioiekārtām un dienestiem - 11.daļa: Īpašie nosacījumi analogo zemes skaņas apraides raidītājiem
Lithuanian	Elektromagnetinio suderinamumo ir radijo dažnių spektro dalykai. Radijo ryšio įrangos ir paslaugų elektromagnetinio suderinamumo (EMS) standartas. 11 dalis. Antžeminio radijo laidų transliavimo tarnybos siūstuvų specialiosios sąlygos
Maltese	Kompatibilità elettromanjetika u materji relatati ma' spettru radjofoniku (ERM); Standard ta' Kompatibilità Elettromanjetika (EMC) għal tagħmir u servizzi radjofoniċi; Parti 11: Kondizzjonijiet speċifiċi għal trasmettitori għal servizzi terrestri ta' xandir bil-ħoss
Norwegian	Elektromagnetisk kompatibilitet og radiospektrums spørsmål (ERM); Standard for elektromagnetisk kompatibilitet (EMC) for radioutstyr og tjenester; Del 11: Spesifikke betingelser for bakkebaserte sendere i lydkringkastingstjeneste
Polish	Kompatybilność elektromagnetyczna i zagadnienia widma radiowego (ERM) - Norma kompatybilności elektromagnetycznej (EMC) dotycząca urządzeń i systemów radiowych - Część 11: Wymagania szczegółowe dla naziemnych nadajników radiofonicznych
Portuguese	Assuntos de Espectro Radioelétrico e Compatibilidade Electromagnética (ERM); Norma de Compatibilidade Electromagnética (EMC) para equipamento de rádio e serviços; Parte 11: Condições específicas para transmissores do serviço terrestre de radiodifusão sonora analógica (Modulação de Amplitude (AM) e Modulação de Frequência (FM))
Slovak	Elektromagnetická kompatibilita a závislosti rádiového spektra (ERM). Elektromagnetická kompatibilita (EMC), norma na rádiové zariadenia a služby. Časť 11: Osobitné podmienky na vysieláče pozemského rozhlasového vysielania
Slovenian	Elektromagnetna združljivost in zadeve v zvezi z radijskim spektrom (ERM) - Standard elektromagnetne združljivosti (EMC) za radijsko opremo in storitve - 11. del: Posebni pogoji za oddajnike v storitvi prizemne zvokovne radiodifuzije

Language	EN title
Spanish	Compatibilidad electromagnética y cuestiones de espectro de radiofrecuencia (ERM); Estandar de Compatibilidad Electromagnética (EMC) para equipos y servicios radio; Parte 11: Condiciones particulares para transmisores del servicio de radiodifusión sonora terrestre
Swedish	Elektromagnetisk kompatibilitet och radiospektrumfrågor (ERM); Elektromagnetisk kompatibilitetsstandard (EMC) för radioutrustning och tjänster; Del 11: Specifika villkor för terrestra ljudsändare för rundradiotjänst

History

Document history		
V1.1.1	May 2002	Publication
V1.2.1	November 2002	Publication
V1.3.1	May 2005	Public Enquiry PE 20050909: 2005-05-11 to 2005-09-09
V1.3.1	February 2006	Vote V 20060421: 2006-02-20 to 2006-04-21