

# ETSI EN 301 489-10 V1.2.1 (2001-11)

---

*Candidate Harmonized European Standard (Telecommunications series)*

**Electromagnetic compatibility  
and Radio spectrum Matters (ERM);  
ElectroMagnetic Compatibility (EMC)  
standard for radio equipment and services;  
Part 10: Specific conditions for First (CT1 and CT1+) and  
Second Generation Cordless Telephone (CT2) equipment**

---



---

**Reference**

REN/ERM-EMC-219-10

---

**Keywords**

CT, CT2, EMC, radio, regulation

**ETSI**

650 Route des Lucioles  
F-06921 Sophia Antipolis Cedex - FRANCE

---

Tel.: +33 4 92 94 42 00 Fax: +33 4 93 65 47 16

Siret N° 348 623 562 00017 - NAF 742 C  
Association à but non lucratif enregistrée à la  
Sous-Préfecture de Grasse (06) N° 7803/88

---

**Important notice**

Individual copies of the present document can be downloaded from:

<http://www.etsi.org>

The present document may be made available in more than one electronic version or in print. In any case of existing or perceived difference in contents between such versions, the reference version is the Portable Document Format (PDF). In case of dispute, the reference shall be the printing on ETSI printers of the PDF version kept on a specific network drive within ETSI Secretariat.

Users of the present document should be aware that the document may be subject to revision or change of status. Information on the current status of this and other ETSI documents is available at

<http://portal.etsi.org/tb/status/status.asp>

If you find errors in the present document, send your comment to:

[editor@etsi.fr](mailto:editor@etsi.fr)

---

**Copyright Notification**

No part may be reproduced except as authorized by written permission.  
The copyright and the foregoing restriction extend to reproduction in all media.

© European Telecommunications Standards Institute 2001.  
All rights reserved.

# Contents

Intellectual Property Rights .....	5
Foreword.....	5
1 Scope .....	7
2 References .....	7
3 Definitions and abbreviations.....	8
3.1 Definitions .....	8
3.2 Abbreviations .....	8
4 Test conditions .....	9
4.1 General .....	9
4.2 Arrangements for test signals .....	9
4.2.1 Arrangements for test signals at the input of transmitters.....	9
4.2.1.1 Speech equipment .....	9
4.2.1.2 Non-speech equipment.....	9
4.2.2 Arrangements for test signals at the output of transmitters.....	9
4.2.3 Arrangements for test signals at the input of receivers .....	9
4.2.4 Arrangements for test signals at the output of receivers .....	9
4.2.5 Arrangements for testing transmitter and receiver together (as a system) .....	9
4.3 Exclusion bands.....	10
4.3.1 CT2 equipment .....	10
4.3.2 CT1 and CT1+ equipment .....	10
4.4 Narrow band responses on receivers or receivers which are part of transceivers.....	10
4.4.1 Identification criteria for speech equipment .....	10
4.4.2 Identification criteria for non-speech equipment .....	10
4.4.3 Nominal frequency offset used for the identification of narrow band responses .....	10
4.5 Normal test modulation .....	10
5 Performance assessment.....	11
5.1 General .....	11
5.2 Arrangements for the assessment of host dependant equipment and plug-in cards.....	11
5.2.1 Alternative A: composite equipment .....	11
5.2.2 Alternative B: use of a test jig and three hosts.....	11
5.3 Assessment procedures.....	12
5.3.1 Loss of user control functions or stored user defined data.....	12
5.3.2 Audio breakthrough .....	12
5.4 Ancillary equipment .....	13
5.5 Equipment classification .....	13
6 Performance criteria .....	13
6.1 General .....	13
6.2 Performance criteria for Continuous phenomena of Transceivers (CT).....	14
6.2.1 Speech equipment .....	14
6.2.2 Non-speech equipment .....	14
6.3 Performance criteria for Transient phenomena applied to Transceivers (TT).....	14
6.4 Performance criteria for Continuous phenomena applied to Receive-only equipment (CR) .....	15
6.5 Performance criteria for Transient phenomena applied to Receive-only equipment (TR) .....	15
6.6 Performance criteria for ancillary equipment tested on a stand alone basis .....	15
7 Applicability overview .....	15
7.1 Emission .....	15
7.1.1 General.....	15
7.1.2 Special conditions .....	15
7.2 Immunity .....	15
7.2.1 General.....	15
7.2.2 Special conditions .....	16

<b>Annex A (informative):</b>	<b>Definitions of types of Cordless Telephone equipment in the scope of the present document.....</b>	<b>17</b>
A.1	Second generation Cordless Telephone apparatus (CT2) for operation in the frequency band 864,1 MHz to 868,1 MHz .....	17
A.2	First generation Cordless Telephone apparatus (CT1) for operation in the frequency band 914 MHz to 915 MHz and 959 MHz to 960 MHz .....	17
A.3	First generation Cordless Telephone apparatus (CT1+) for operation in the frequency band 885 MHz to 887 MHz and 930 MHz to 932 MHz .....	17
A.4	First generation Cordless Telephone apparatus (CT1) for operation in the frequency band 1,6 MHz to 1,7 MHz for base stations (CFP) and 47 MHz for handsets (CPP).....	18
A.5	First generation Cordless Telephone apparatus (CT1) for operation in the frequency band 47 MHz for base stations (CFP) and 77 MHz for handsets (CPP) .....	18
A.6	First generation Cordless Telephone apparatus (CT1) for operation in the frequency band 31 MHz for base stations (CFP) and 39 - 40 MHz for handsets (CPP).....	18
<b>Annex B (informative):</b>	<b>Bibliography.....</b>	<b>19</b>
	History .....	20

---

## Intellectual Property Rights

IPRs essential or potentially essential to the present document may have been declared to ETSI. The information pertaining to these essential IPRs, if any, is publicly available for **ETSI members and non-members**, and can be found in ETSI SR 000 314: *"Intellectual Property Rights (IPRs); Essential, or potentially Essential, IPRs notified to ETSI in respect of ETSI standards"*, which is available from the ETSI Secretariat. Latest updates are available on the ETSI Web server (<http://webapp.etsi.org/IPR/home.asp>).

Pursuant to the ETSI IPR Policy, no investigation, including IPR searches, has been carried out by ETSI. No guarantee can be given as to the existence of other IPRs not referenced in ETSI SR 000 314 (or the updates on the ETSI Web server) which are, or may be, or may become, essential to the present document.

---

## Foreword

This Candidate Harmonized European Standard (Telecommunications series) has been produced by ETSI Technical Committee Electromagnetic compatibility and Radio spectrum Matters (ERM).

The present document has been produced by ETSI in response to a mandate from the European Commission issued under Council Directive 98/34/EC [5] (as amended) laying down a procedure for the provision of information in the field of technical standards and regulations.

The present document is intended to become a Harmonized Standard, the reference of which will be published in the Official Journal of the European Communities referencing the Council Directive on the approximation of the laws of the Member States relating to electromagnetic compatibility ("the EMC Directive") (89/336/EEC [3] as amended) and Directive 1999/5/EC of the European Parliament and of the Council of 9 March 1999 on radio equipment and telecommunications terminal equipment and the mutual recognition of their conformity ("the R&TTE Directive [2]").

The present document is part 10 of a multi-part deliverable covering the ElectroMagnetic Compatibility (EMC) standard for radio equipment and services, as identified below:

- Part 1: "Common technical requirements";
- Part 2: "Specific conditions for radio paging equipment";
- Part 3: "Specific conditions for Short-Range Devices (SRD) operating on frequencies between 9 kHz and 40 GHz";
- Part 4: "Specific conditions for fixed radio links and ancillary equipment and services";
- Part 5: "Specific conditions for Private land Mobile Radio (PMR) and ancillary equipment (speech and non-speech)";
- Part 6: "Specific conditions for Digital Enhanced Cordless Telecommunications (DECT) equipment";
- Part 7: "Specific conditions for mobile and portable radio and ancillary equipment of digital cellular radio telecommunications systems (GSM and DCS)";
- Part 8: "Specific conditions for GSM base stations";
- Part 9: "Specific conditions for wireless microphones and similar Radio Frequency (RF) audio link equipment, cordless audio and in-ear monitoring devices";
- Part 10: "Specific conditions for First (CT1 and CT1+) and Second Generation Cordless Telephone (CT2) equipment";**
- Part 11: "Specific conditions for analogue terrestrial sound broadcasting (Amplitude Modulation (AM) and Frequency Modulation (FM)) service transmitters";
- Part 12: "Specific conditions for Very Small Aperture Terminal, Satellite Interactive Earth Stations operated in the frequency ranges between 4 GHz and 30 GHz in the Fixed Satellite Service (FSS)";

- Part 13: "Specific conditions for Citizens' Band (CB) radio and ancillary equipment (speech and non-speech)";
- Part 14: "Specific conditions for analogue and digital terrestrial TV broadcasting service transmitters";
- Part 15: "Specific conditions for commercially available amateur radio equipment";
- Part 16: "Specific conditions for analogue cellular radio communications equipment, mobile and portable";
- Part 17: "Specific conditions for Wideband data and HIPERLAN equipment";
- Part 18: "Specific conditions for Terrestrial Trunked Radio (TETRA) equipment";
- Part 19: "Specific conditions for Receive Only Mobile Earth Stations (ROMES) operating in the 1,5 GHz band providing data communications";
- Part 20: "Specific conditions for Mobile Earth Stations (MES) used in the Mobile Satellite Services (MSS)";
- Part 22: "Specific conditions for ground based VHF aeronautical mobile and fixed radio equipment";
- Part 23: "Specific conditions for IMT-2000 CDMA Direct Spread (UTRA) Base Station (BS) radio, repeater and ancillary equipment";
- Part 24: "Specific conditions for IMT-2000 CDMA Direct Spread (UTRA) for Mobile and portable (UE) radio and ancillary equipment";
- Part 25: "Specific conditions for IMT-2000 CDMA Multi-carrier Mobile Stations and ancillary equipment";
- Part 26: "Specific conditions for IMT-2000 CDMA Multi-carrier Base Stations and ancillary equipment".

<b>National transposition dates</b>	
Date of adoption of this EN:	23 November 2001
Date of latest announcement of this EN (doa):	28 February 2002
Date of latest publication of new National Standard or endorsement of this EN (dop/e):	31 August 2002
Date of withdrawal of any conflicting National Standard (dow):	31 August 2003

---

## 1 Scope

The present document, together with EN 301 489-1 [1], covers the assessment of First Generation (CT1 and CT1+) and Second Generation (CT2) Cordless Telephone equipment, and associated ancillary equipment, in respect of ElectroMagnetic Compatibility (EMC).

Technical specifications related to the antenna port and emissions from the enclosure port of the radio equipment are not included in the present document. Such technical specifications are found in the relevant product standards for the effective use of the radio spectrum.

The present document specifies the applicable test conditions, performance assessment and performance criteria for First Generation (CT1 and CT1+) and Second Generation (CT2) Cordless Telephone equipment, and associated ancillary equipment.

Definitions of types of Cordless Telephone equipment covered by the present document are given in annex A.

In case of differences (for instance concerning special conditions, definitions, abbreviations) between the present document and EN 301 489-1 [1], the provisions of the present document take precedence.

The environmental classification and the emission and immunity requirements used in the present document are as stated in EN 301 489-1 [1], except for any special conditions included in the present document.

---

## 2 References

The following documents contain provisions which, through reference in this text, constitute provisions of the present document.

- References are either specific (identified by date of publication and/or edition number or version number) or non-specific.
- For a specific reference, subsequent revisions do not apply.
- For a non-specific reference, the latest version applies.

- [1] ETSI EN 301 489-1 (V1.3.1): "Electromagnetic compatibility and Radio spectrum Matters (ERM); ElectroMagnetic Compatibility (EMC) standard for radio equipment and services; Part 1: Common technical requirements".
- [2] Directive 1999/5/EC of the European Parliament and of the Council of 9 March 1999 on radio equipment and telecommunications terminal equipment and the mutual recognition of their conformity.
- [3] Directive 89/336/EEC of 3 May 1989 on the approximation of the laws of the Member States relating to electromagnetic compatibility.
- [4] ETSI EN 300 176 (all parts): "Digital Enhanced Cordless Telecommunications (DECT); Approval test specification".
- [5] Directive 98/34/EC of the European Parliament and of the Council of 22 June 1998 laying down a procedure for the provision of information in the field of technical standards and regulations.

## 3 Definitions and abbreviations

### 3.1 Definitions

For the purposes of the present document, the terms and definitions given in EN 301 489-1 [1] and the following apply:

**CT1 equipment:** first generation Cordless Telephone apparatus which includes one or more transceivers and/or receivers and/or parts thereof which operate in the frequency bands detailed in clauses A2, A4, A5, and A6 of EN 301 489-10

**CT1+ equipment:** first generation Cordless Telephone apparatus which includes one or more transceivers and/or receivers and/or parts thereof which operate in the frequency bands 885 MHz to 887 MHz and 930 MHz to 932 MHz

**CT2 equipment:** second generation Cordless Telephone apparatus which includes one or more transceivers and/or receivers and/or parts thereof which operate in the frequency band 864,1 MHz to 868,1 MHz

**host equipment:** any equipment which has a complete user functionality when not connected to the cordless telephone or similar radio communications equipment, and to which this radio equipment provides additional functionality, and to which connection is necessary for this radio equipment to offer functionality, and in which the transceiver part of the radio equipment is physically installed

**non-speech equipment:** cordless telephone or similar communications equipment intended for the provision and reception of digital data either originating from or destined to external digital speech processing circuitry or other external equipment

**speech equipment:** cordless telephone or similar communications equipment containing transducers such as microphones and/or loudspeakers intended for the provision and reception of acoustic audio signals

### 3.2 Abbreviations

For the purposes of the present document, the following abbreviations apply:

BER	Bit Error Ratio
BPF	Band Pass Filter
BW	BandWidth
CF	Carrier Frequency
CFP	Cordless Fixed Part
CPP	Cordless Portable Part
CR	Continuous phenomena applied to cordless telephone or communication Receive-only equipment
CT	Continuous phenomena applied to cordless telephone or communication Transceivers
CT1	Cordless Telephone, first generation
CT1+	Cordless Telephone, first generation. Different frequency range from CT1
CT2	Cordless Telephone, second generation
ERP	Ear Reference Point
MRP	Mouth Reference Point
SPL	Sound Pressure Level
TR	Transient phenomena applied to cordless telephone or communication Receive-only equipment
TT	Transient phenomena applied to cordless telephone or communication Transceivers



---

## 4 Test conditions

### 4.1 General

For the purposes of the present document, the test conditions of EN 301 489-1 [1], clause 4, shall apply as appropriate. Further product-related test conditions for cordless telephone or communications equipment are specified in the present document, clauses 4.2 to 4.5.

### 4.2 Arrangements for test signals

The provisions of EN 301 489-1 [1], clause 4.2 shall apply.

#### 4.2.1 Arrangements for test signals at the input of transmitters

The provisions of EN 301 489-1 [1], clause 4.2.1 shall apply with the following modification.

The transmitter part of the particular type of cordless telephone or communications equipment shall be modulated with normal test modulation as specified for that type of equipment (see clause 4.5).

##### 4.2.1.1 Speech equipment

Audio input signals may be provided to the EUT either by a non-metallic acoustic tube or, if provided, electrical connections. The equipment shall not be modified to provide any electrical connection ports for the purposes of EMC tests only. Suitable test arrangements for the acoustic tube are described e.g. in EN 300 176 [4].

##### 4.2.1.2 Non-speech equipment

Digital (data) input signals shall be supplied to the EUT by electrical connection to the modulation input port via an appropriate connecting cable, test jig, or host equipment (see clauses 5.2.1 and 5.2.2).

#### 4.2.2 Arrangements for test signals at the output of transmitters

The provisions of EN 301 489-1 [1], clause 4.2.2 shall apply.

#### 4.2.3 Arrangements for test signals at the input of receivers

The provisions of EN 301 489-1 [1], clause 4.2.3 shall apply with the following modification.

The receiver part or stand alone receiver of the particular type of cordless telephone or communications equipment shall be provided with the appropriate wanted RF signal modulated as specified for that type of equipment (see clause 4.5).

#### 4.2.4 Arrangements for test signals at the output of receivers

The provisions of EN 301 489-1 [1], clause 4.2.4 shall apply.

#### 4.2.5 Arrangements for testing transmitter and receiver together (as a system)

The provisions of EN 301 489-1 [1], clause 4.2.5 shall apply with the following modification.

The normal test modulation shall be transmitted by the test system and looped back in the radio equipment, as described in the corresponding product specifications referred to in clause 2 and annex A.

## 4.3 Exclusion bands

The frequencies on which the transmitter part of the EUT is intended to operate shall be excluded from conducted and radiated emission measurements when performed in transmit mode of operation.

There shall be no frequency exclusion band applied to emission measurements of the receiver part of transceivers or the stand-alone receiver under test, and/or associated ancillary equipment.

The emission measurement and immunity test exclusions are referred to as "exclusion bands" and are defined in the clauses 4.3.1 and 4.3.2 of the present document.

### 4.3.1 CT2 equipment

The exclusion band for the transmitter and/or receiver part of the CT2 equipment under test shall extend from 820,9 MHz to 911,5 MHz.

### 4.3.2 CT1 and CT1+ equipment

The exclusion band for receivers is the receiver operating frequency band, extended at each end by 5 % of the centre operating frequency.

For transmitters the exclusion band is  $\pm 50$  kHz of the transmitter operating frequency.

## 4.4 Narrow band responses on receivers or receivers which are part of transceivers

The provision of EN 301 489-1 [1], clause 4.4 shall apply with the following modification.

No immunity tests shall be carried out on frequencies of identified narrow band responses, i.e. spurious responses, of the receiver parts of cordless telephone and similar communications equipment.

### 4.4.1 Identification criteria for speech equipment

For speech equipment, an increase above the permitted level (see clause 6.2.1) in the measured value of the speech output signal level shall be used as criterion for the identification of narrow band responses.

Alternatively, a drop of the communications link may be used for this identification.

### 4.4.2 Identification criteria for non-speech equipment

For non-speech equipment, an increase in the Bit Error Ratio (BER) of the looped back data from the EUT in the measured value of BER shall be used as criterion for the identification of narrow band responses (see clause 6.2.2).

Alternatively, a drop of the communications link may be used for this identification.

### 4.4.3 Nominal frequency offset used for the identification of narrow band responses

For CT2, CT1 and CT1+ receivers, the nominal frequency offset to be used for the identification of narrowband responses shall be  $\pm 1$  MHz for the first part of the identification procedure, and  $\pm 1,5$  MHz for the second part of the identification procedure.

## 4.5 Normal test modulation

The provision of EN 301 489-1 [1], clause 4.5 shall apply with the product related modifications set out in the corresponding product specifications referred to in clause 2 and annex A.

---

## 5 Performance assessment

### 5.1 General

The provision of EN 301 489-1 [1], clause 5.1 shall apply.

### 5.2 Arrangements for the assessment of host dependant equipment and plug-in cards

For equipment parts for which integration with a host equipment is necessary in order to offer functionality, two alternative approaches defined in clauses 5.2.1 and 5.2.2 may be used. The manufacturer shall declare which alternative shall be used.

#### 5.2.1 Alternative A: composite equipment

A combination of the radio equipment part and a specific type of host equipment may be used for assessment according to the present document.

Where more than one such combination is intended, each combination shall be tested separately.

Where a specific combination of host equipment and a radio equipment part is tested as a composite system for compliance, repeat testing shall not be required for:

- those other combinations of hosts and radio equipment parts which are based on substantially similar host models in the circumstance that the variations in mechanical and electrical properties between such host models are unlikely to significantly influence the intrinsic immunity and unwanted emissions of the radio equipment part;
- the radio equipment part which cannot be used without mechanical, electrical, or software modification in variations of host equipment different from those represented by the units for which compliance to the present document has been demonstrated.

#### 5.2.2 Alternative B: use of a test jig and three hosts

Where the radio equipment part is intended for use with a variety of host equipment, the manufacturer shall supply a suitable test jig to enable compliance with the present document to be assessed.

The test jig shall be designed such that alteration of the radio equipment part's intrinsic immunity and unwanted emissions is minimized.

Where connection between the radio equipment part and the host equipment control and/or power ports is by cables, optical fibres, or other similar means, this connection to the host shall be considered as a suitable test jig.

The test jig shall allow the radio equipment part to be powered and stimulated in a way representative of the way in which it would be powered and stimulated when connected to or inserted into the host equipment.

In addition to tests using the test jig the radio equipment part shall be tested in conjunction with three different host equipment. These hosts shall be provided by the manufacturer and shall be selected from the list of compatible hosts published by the manufacturer, as part of the user documentation supplied with the radio equipment part.

## 5.3 Assessment procedures

### 5.3.1 Loss of user control functions or stored user defined data

The test system shall set up a communications link in the same manner as the Equipment Under Test's (EUT) normal intended use.

Any user defined data fields in the memory or storage of the EUT shall be filled in a way representative of normal intended use.

The assessment procedure shall verify that the communications link is maintained and that there is no loss of user control functions declared by the manufacturer or loss of the stored user defined data.

### 5.3.2 Audio breakthrough

This test is used to assess the effect of continuous EMC phenomena on the analogue speech circuits of the equipment so fitted.

The test system shall be arranged as shown in figure 1 such that the level of the output signals from the EUT's speech channels can be recorded on suitable test instruments, though not necessarily in each channel simultaneously. For a Cordless Portable Part (CPP) with an acoustic transducer this will require the measurement of Sound Pressure Level (SPL). Pick-up of extraneous background noise by the EUT's speech transducer (microphone) shall be minimized.

Prior to the test sequence, the reference level of the speech output signal shall be recorded on the test instrumentation as shown in figure 2. For a CPP with an acoustic speech transducer this shall be equivalent to 0 dBPa at 1 kHz, applied to the ear reference point in the receive path, and -5 dBPa at 1 kHz applied to the mouth reference point. For a Cordless Fixed Part (CFP) with analogue speech circuits and other implementations of the equipment with analogue speech circuits, the reference level shall be equivalent to these acoustic signals.

At each test frequency, the level of the acoustic output signal relative to the reference level shall be measured.

Where it is necessary to interface to the acoustic transducers of the EUT care shall be taken to ensure that the disturbance to the EM field is minimized. The use of a non-metallic acoustic coupler as described e.g. in EN 300 176-4 [4] is recommended.

The precise arrangements shall be recorded in the test report.

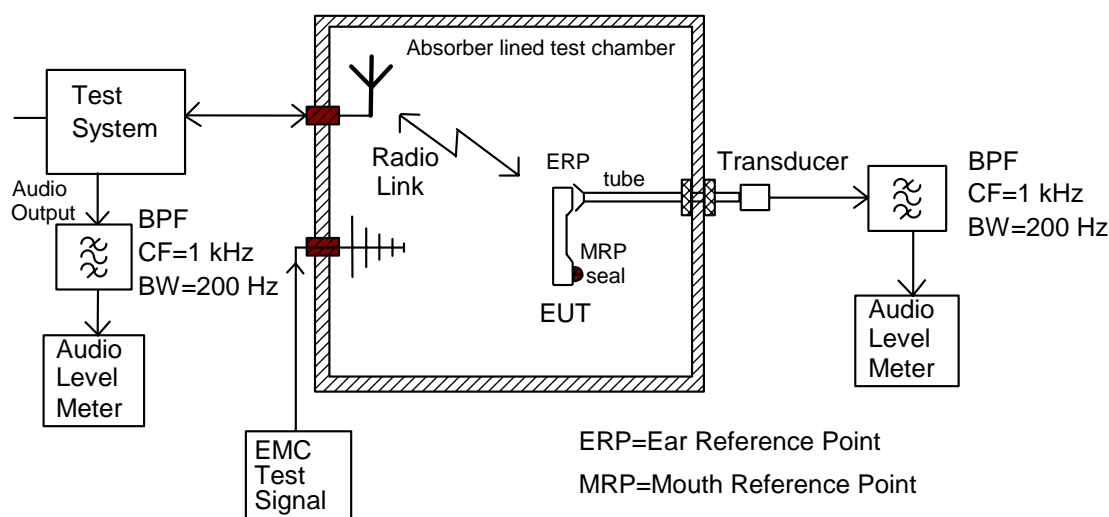
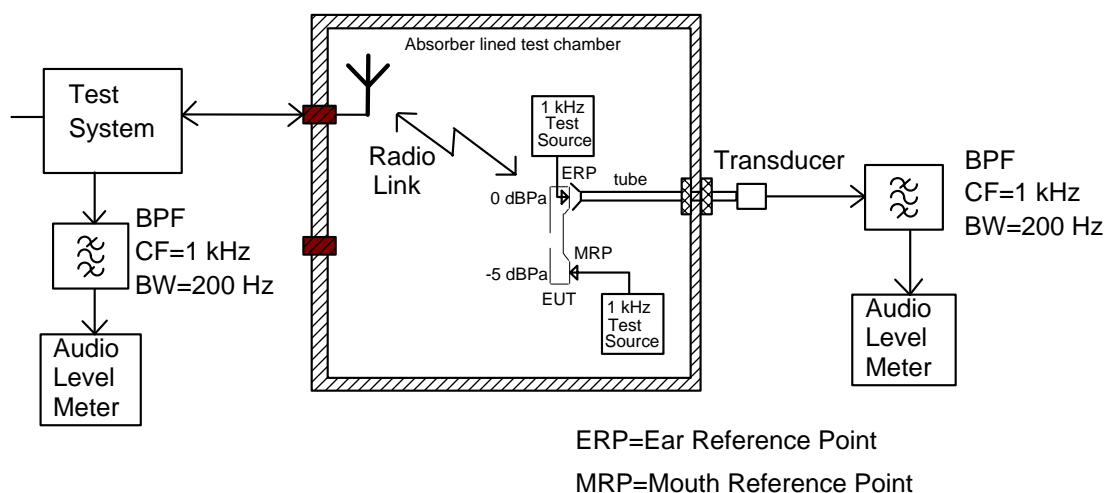


Figure 1: Audio breakthrough measurement, test set-up



NOTE: The EUT is in position during calibration of the uplink, but not during calibration of the downlink.

**Figure 2: Audio breakthrough measurement, calibration set-up**

## 5.4 Ancillary equipment

The provision of EN 301 489-1 [1], clause 5.4 shall apply.

## 5.5 Equipment classification

The provision of EN 301 489-1 [1], clause 5.5 shall apply with the following modifications:

- Cordless telephone and communications equipment and/or ancillary equipment or combinations thereof declared as capable of being powered for intended use by the main battery of a vehicle shall additionally be considered as mobile equipment;
- Cordless telephone and communications equipment and/or ancillary equipment or combinations thereof declared as capable of being powered for intended use by an AC mains network shall additionally be considered as base station equipment.

NOTE: The above information is necessary because both corresponding parts of cordless telephone and similar communications equipment - handset or plug-in card and base station - are usually intended for "fixed use" at a distinct location. When such corresponding parts of equipment also are intended for use e.g. in coaches or buses, then the EMC requirements for mobile equipment shall apply additionally. The same consideration belongs to plug-in cards requiring adequate host equipment powered by the AC mains. In this case the EMC requirements for base station equipment apply to the combination of the plug-in card and host as well.

---

# 6 Performance criteria

## 6.1 General

The provision of EN 301 489-1 [1], clause 6.1 shall apply with the following modifications.

In addition, the manufacturer shall at the time of submission of the equipment for test, supply the following information to be recorded in the test report:

- the primary functions to be checked during and after the conclusion of EMC tests.

The equipment shall meet the minimum performance criteria as specified in clauses 6.2, 6.3, 6.4, 6.5, 6.6 and additionally the primary functions as declared by the manufacturer.

## 6.2 Performance criteria for Continuous phenomena of Transceivers (CT)

The establishment of a communications link at the start of the test, the maintenance of the communications link during and after the test, the assessment of BER, and in case of equipment containing analogue speech circuits, the assessment of the speech output signal level, are used as performance criteria to ensure that the primary functions of the transceiver or receiver are evaluated during and/or after the test.

### 6.2.1 Speech equipment

During the immunity test,

- the communications link shall be maintained; and
- additionally, for equipment containing analogue speech circuits the speech output signal level shall be at least 35 dB less than the reference level recorded before the start of the test, when measured through an audio bandpass filter of width 200 Hz, centred on 1 kHz. This shall be verified by the procedure in clause 5.3.2.

For calibration purposes before the start of immunity tests a 1 kHz sinusoidal audio signal is applied as modulation input signal to the EUT (see figure 2), no audio input signal shall be applied during the tests.

At the conclusion of the immunity test,

- the EUT shall operate as intended with no loss of user control functions or stored data and the communications link shall have been maintained during and after the test (see clause 5.3.1).

Where the EUT is capable of transmission, tests shall be performed to ensure that unintentional transmission does not occur.

### 6.2.2 Non-speech equipment

During the immunity test,

- the test system shall control the EUT so that it transmits and/or receives continuously, this way allowing to verify that the communications link is maintained.

At the conclusion of the immunity test,

- the test system shall control the EUT so that it transmits and/or receives continuously and the EUT shall operate as intended with no loss of user control functions or stored data and the communications link shall have been maintained during and after the test (see clause 5.3.1).

Where the EUT is capable of transmission, tests shall be performed to ensure that unintentional transmission does not occur.

## 6.3 Performance criteria for Transient phenomena applied to Transceivers (TT)

At the conclusion of each individual exposure in a test sequence, the EUT shall continue to operate with no user noticeable loss of the communications link.

At the conclusion of the total test comprising the series of individual exposures the EUT shall continue to operate as intended with no loss of user control functions or stored data, as declared by the manufacturer, and the communications link shall have been maintained (see clause 5.3.1).

Where the EUT is capable of transmission, tests shall be performed to ensure that unintentional transmission does not occur.

## 6.4 Performance criteria for Continuous phenomena applied to Receive-only equipment (CR)

The primary functions shall be verified during each individual exposure in the test sequence.

Additionally, for equipment containing analogue speech circuits the speech output signal level shall be at least 35 dB less than the previously recorded reference level. This shall be verified by the procedure in clause 5.3.2.

For calibration purposes before the start of immunity tests a 1 kHz sinusoidal audio signal is applied as modulation input signal to the EUT (see figure 2), no audio input signal shall be applied during the tests.

At the conclusion of the test, the EUT shall continue to operate as intended with no loss of user control functions or stored data, and the communications link shall have been maintained. This shall be verified by checking the primary functions.

## 6.5 Performance criteria for Transient phenomena applied to Receive-only equipment (TR)

At the conclusion of each exposure the EUT shall continue to operate with no user noticeable loss of the communications link.

At the conclusion of the total test comprising the series of individual exposures the EUT shall continue to operate as intended with no loss of user control functions or stored data, as declared by the manufacturer, and the communications link shall have been maintained. This shall be verified by checking the primary functions.

## 6.6 Performance criteria for ancillary equipment tested on a stand alone basis

The provision of EN 301 489-1 [1], clause 6.4 shall apply.

---

# 7 Applicability overview

## 7.1 Emission

### 7.1.1 General

EN 301 489-1 [1], table 2, contains the applicability of EMC emission measurements to the relevant ports of radio and/or associated ancillary equipment.

### 7.1.2 Special conditions

No special conditions shall apply to radio equipment in the scope of the present document.

## 7.2 Immunity

### 7.2.1 General

EN 301 489-1 [1], table 3, contains the applicability of EMC immunity measurements to the relevant ports of radio and/or associated ancillary equipment.

## 7.2.2 Special conditions

No special conditions shall apply to radio equipment in the scope of the present document.



---

## Annex A (informative): Definitions of types of Cordless Telephone equipment in the scope of the present document

The present document covers types of cordless telephone equipment as set out below.

---

### A.1 Second generation Cordless Telephone apparatus (CT2) for operation in the frequency band 864,1 MHz to 868,1 MHz

The present document applies to Second Generation Cordless Telephone apparatus (CT2) for operation in the frequency band 864,1 MHz to 868,1 MHz, and associated ancillary equipment providing wireless local access to telephone subscriber lines and/or similar speech and data transmission purposes within private networks in the residential environment.

Cordless Telephone apparatus (CT2) may comprise handset transceivers and receivers, and base transceivers, transmitters and receivers, as defined in either I-ETS 300 131 (1992) or I-ETS 300 131 (1994).

---

### A.2 First generation Cordless Telephone apparatus (CT1) for operation in the frequency band 914 MHz to 915 MHz and 959 MHz to 960 MHz

The present document applies to first generation Cordless Telephone apparatus (CT1) for operation in the frequency band 914 MHz to 915 MHz and 959 MHz to 960 MHz, and associated ancillary equipment providing wireless local access to telephone subscriber lines and/or similar speech and data transmission purposes within private networks in the residential environment.

Cordless Telephone apparatus (CT1) may comprise handset transceivers and receivers, and base transceivers, transmitters and receivers, as defined in I-ETS 300 235 (1994).

---

### A.3 First generation Cordless Telephone apparatus (CT1+) for operation in the frequency band 885 MHz to 887 MHz and 930 MHz to 932 MHz

The present document applies to first generation Cordless Telephone apparatus (CT1+) for operation in the frequency band 885 MHz to 887 MHz and 930 MHz to 932 MHz, and associated ancillary equipment providing wireless local access to telephone subscriber lines and/or similar speech and data transmission purposes within private networks in the residential environment.

Cordless Telephone apparatus (CT1+) may comprise handset transceivers and receivers, and base transceivers, transmitters and receivers, as defined in I-ETS 300 235 (1994).

---

## A.4 First generation Cordless Telephone apparatus (CT1) for operation in the frequency band 1,6 MHz to 1,7 MHz for base stations (CFP) and 47 MHz for handsets (CPP)

The present document applies to first generation Cordless Telephone apparatus (CT1) for operation in the frequency band 1.642 MHz to 1.782 MHz for the base station (CFP) and 47.45625 MHz to 47.54375 MHz for the portable part (CPP), and associated ancillary equipment providing wireless local access to telephone subscriber lines and/or similar speech and data transmission purposes within private networks in the residential environment.

Cordless Telephone apparatus (CT1) may comprise handset transceivers and receivers, and base transceivers, transmitters and receivers, as defined in MPT 1322 (1999).

---

## A.5 First generation Cordless Telephone apparatus (CT1) for operation in the frequency band 47 MHz for base stations (CFP) and 77 MHz for handsets (CPP)

The present document applies to first generation Cordless Telephone apparatus (CT1) for operation in the frequency band 47 MHz for the base station (CFP) and 77 MHz for the portable part (CPP), and associated ancillary equipment providing wireless local access to telephone subscriber lines and/or similar speech and data transmission purposes within private networks in the residential environment.

Cordless Telephone apparatus (CT1) may comprise handset transceivers and receivers, and base transceivers, transmitters and receivers, as defined in MPT 1371 (1998).

---

## A.6 First generation Cordless Telephone apparatus (CT1) for operation in the frequency band 31 MHz for base stations (CFP) and 39 - 40 MHz for handsets (CPP)

The present document applies to first generation Cordless Telephone apparatus (CT1) for operation in the frequency band 31.0375 MHz to 31.2125 MHz for the base station (CFP) and 39.9375 MHz to 40.1125 MHz for the portable part (CPP), and associated ancillary equipment providing wireless local access to telephone subscriber lines and/or similar speech and data transmission purposes within private networks in the residential environment.

Cordless Telephone apparatus (CT1) may comprise handset transceivers and receivers, and base transceivers, transmitters and receivers, as defined in MPT 1384 (1999) or TTE9 (1998) for use in Eire.

---

## Annex B (informative): Bibliography

- ETSI I-ETS 300 131 (1992): "Radio Equipment and Systems (RES); Common air interface specification to be used for the interworking between cordless telephone apparatus in the frequency band 864,1 MHz to 868,1 MHz, including public access services".
- ETSI I-ETS 300 131 (1994): "Radio Equipment and Systems (RES); Common air interface specification to be used for the interworking between cordless telephone apparatus in the frequency band 864,1 MHz to 868,1 MHz, including public access services".
- ETSI I-ETS 300 235 (1994): "Radio Equipment and Systems (RES); Technical characteristics, test conditions and methods of measurement for radio aspects of cordless telephones CT1".
- MPT 1322 (1999): "PERFORMANCE SPECIFICATION Angle Modulated MF and VHF Radio equipment for use at base and band portable stations in the cordless telephone service".
- TTE9 (1998): "Type approval requirements for analogue cordless telephones for connection to switched public telecommunications networks in Ireland".

---

## History

<b>Document history</b>		
V1.1.1	September 2000	Publication
V1.2.1	July 2001	One-step Approval Procedure OAP 20011123: 2001-07-25 to 2001-11-23
V1.2.1	November 2001	Publication