

**V interfaces at the digital Service Node (SN);
Interfaces at the VB5.2 reference point for the support of
broadband or combined narrowband
and broadband Access Networks (ANs);
Part 3: Test Suite Structure and Test Purposes (TSS&TP)**



Reference

DEN/SPAN-09047-3

Keywords

AN, SN, TSS&TP, V interface, VB5 interface

ETSI

650 Route des Lucioles
F-06921 Sophia Antipolis Cedex - FRANCE

Tel.: +33 4 92 94 42 00 Fax: +33 4 93 65 47 16

Siret N° 348 623 562 00017 - NAF 742 C
Association à but non lucratif enregistrée à la
Sous-Préfecture de Grasse (06) N° 7803/88

Important notice

Individual copies of the present document can be downloaded from:

<http://www.etsi.org>

The present document may be made available in more than one electronic version or in print. In any case of existing or perceived difference in contents between such versions, the reference version is the Portable Document Format (PDF). In case of dispute, the reference shall be the printing on ETSI printers of the PDF version kept on a specific network drive within ETSI Secretariat.

Users of the present document should be aware that the document may be subject to revision or change of status. Information on the current status of this and other ETSI documents is available at <http://www.etsi.org/tb/status/>

If you find errors in the present document, send your comment to:
editor@etsi.fr

Copyright Notification

No part may be reproduced except as authorized by written permission.
The copyright and the foregoing restriction extend to reproduction in all media.

© European Telecommunications Standards Institute 2000.
All rights reserved.

Contents

Intellectual Property Rights	5
Foreword.....	5
Introduction.....	5
1 Scope.....	7
2 References.....	7
3 Definitions and abbreviations.....	8
3.1 Definitions	8
3.2 Abbreviations.....	8
4 Test Suite Structure.....	10
5 Test Purposes description and naming.....	13
5.1 Method used for the description of the TPs	13
5.1.1 Text format of TP	13
5.1.2 MSC associated to the text of TP.....	13
5.1.3 Parameters shown in TP.....	14
5.1.4 Stimuli for the IUT.....	14
5.2 Test purpose naming convention.....	15
5.3 Preambles and postambles	16
5.3.1 Preamble descriptions	16
5.3.1.1 AN is the IUT.....	16
5.3.1.2 SN is the IUT	24
5.3.2 Postamble descriptions.....	33
6 Test Purposes definitions	33
6.1 AN is the IUT	33
6.1.1 Basic capability tests (CA).....	33
6.1.2 Connection Establishment procedure (CE).....	34
6.1.2.1 Point to Point Connection Establishment procedure.....	34
6.1.2.2 Point to Multipoint Connection Establishment procedure.....	41
6.1.3 Connection Release procedure (CR)	43
6.1.3.1 Single Connection Release procedure.....	43
6.1.3.2 Multiple Connections Release procedure.....	47
6.1.4 Connection modification procedure (CM).....	52
6.1.4.1 Modification (first step) procedure.....	52
6.1.4.2 Modification Complete procedure.....	53
6.1.4.3 Modification Abort procedure.....	55
6.1.4.4 Modification exceptional procedure	56
6.1.4.5 Test of timer T_Modification	61
6.1.5 Branch Establishment procedure (BE).....	67
6.1.5.1 Add Branch procedure	67
6.1.5.2 Add Branch Complete procedure	69
6.1.5.3 T_BranchEst timer test	71
6.1.5.4 Exceptional procedure	72
6.1.6 Branch Release procedure (BR).....	75
6.1.6.1 Single Branch release procedure	75
6.1.6.2 Multiple Branch release procedure.....	76
6.1.6.3 Exceptional procedure	77
6.1.7 Housekeeping procedure (Reset, Fault).....	80
6.1.7.1 Reset procedure.....	80
6.1.7.2 AN fault procedure	84
6.1.7.3 BBCC restart procedure.....	86
6.1.8 Common Error Handling (CEH) procedure.....	91
6.1.8.1 Error Handling on Message Header.....	91
6.1.8.2 Error Handling on Information Element (IE).....	98

6.2	SN is the IUT	101
6.2.1	Basic capability tests (CA)	101
6.2.2	Connection Establishment procedure (CE).....	102
6.2.2.1	Point to Point Connection Establishment procedure.....	102
6.2.2.2	Point to Multipoint Connection Establishment procedure.....	108
6.2.3	Connection Release procedure (CR)	110
6.2.3.1	Single connection Release procedure	110
6.2.3.2	Multiple connections Release procedure.....	113
6.2.4	Connection modification procedure (CM).....	116
6.2.4.1	Modification (first step) procedure	116
6.2.4.2	Modification Complete procedure	119
6.2.4.3	Modification Abort procedure	121
6.2.5	Branch Establishment procedure (BE)	123
6.2.5.1	Add Branch procedure	123
6.2.5.2	Add Branch / Update procedure	126
6.2.6	Branch Release procedure (BR).....	128
6.2.7	Housekeeping procedure (Reset, Fault).....	131
6.2.7.1	Reset procedure	131
6.2.7.2	AN fault procedure	135
6.2.7.3	BBCC restart procedure	136
6.2.8	Common Error Handling (CEH) procedure.....	139
6.2.8.1	Error Handling on Message Header.....	139
6.2.8.2	Error Handling on Information Element (IE)	146
Annex A (informative): PIXIT parameters and the informative values used		149
A.1	Parameter values as used in the MSCs.....	149
A.1.1	Diagram of connections used in the test suites.....	149
A.1.2	Table of PIXIT parameters	150
A.1.3	Transaction identifier values	151
A.1.4	Timer values	152
Annex B (informative): ASN.1 data declarations for the BBCC protocol		153
Bibliography.....		162
History		163

Intellectual Property Rights

IPRs essential or potentially essential to the present document may have been declared to ETSI. The information pertaining to these essential IPRs, if any, is publicly available for **ETSI members and non-members**, and can be found in ETSI SR 000 314: "*Intellectual Property Rights (IPRs); Essential, or potentially Essential, IPRs notified to ETSI in respect of ETSI standards*", which is available from the ETSI Secretariat. Latest updates are available on the ETSI Web server (<http://www.etsi.org/ipr>).

Pursuant to the ETSI IPR Policy, no investigation, including IPR searches, has been carried out by ETSI. No guarantee can be given as to the existence of other IPRs not referenced in ETSI SR 000 314 (or the updates on the ETSI Web server) which are, or may be, or may become, essential to the present document.

Foreword

This European Standard (Telecommunications series) has been produced by ETSI Technical Committee Services and Protocols for Advanced Networks (SPAN), and is now submitted for the Vote phase of the ETSI standards Two-step Approval Procedure.

The present document is part 3 of multi-part deliverable covering the interfaces at the VB5.2 reference point as identified below:

- Part 1: "Interface specification";
- Part 2: "Protocol Implementation Conformance Statement (PICS) specification";
- Part 3: "Test Suite Structure and Test Purposes (TSS&TP)";**
- Part 4: "Abstract Test Suite (ATS) specification and partial Protocol Implementation eXtra Information for Testing (PIXIT)".

Proposed national transposition dates	
Date of latest announcement of this EN (doa):	3 months after ETSI publication
Date of latest publication of new National Standard or endorsement of this EN (dop/e):	6 months after doa
Date of withdrawal of any conflicting National Standard (dow):	6 months after doa

Introduction

General

The work on a new broadband VB reference point concept was initiated by ETSI Technical Committee SPS to consider, in co-operation with other groups involved, possible new structures and reference points for the connection of new broadband and combined narrowband/broadband access arrangements to Service Nodes (SN).

The work was taken over by a special experts group on VB5, working under the auspices of Working Group SPS3, within ETSI.

The VB5 reference point concept was split into two variants. The first based on an ATM cross connect with provisioned connectivity, called the VB5.1 reference point, is contained in EN 301 005-1 [1]. The other, which further enables on-demand connectivity within the AN, is called the VB5.2 reference point and is described in EN 301 217-1 [3].

Relationship between the VB5.1 and VB5.2 reference point concept

The VB5.2 reference point extends the capabilities at the VB5.1 reference point to include on-demand connectivity in the AN under the control of SN.

In addition to the major difference given above, the major correspondence between the VB5.1 and VB5.2 reference point can be described as:

- both VB5 interfaces support B-ISDN as well as narrowband and other non-B-ISDN customer access types;
- both VB5 interfaces support ATM multiplexing / cross-connecting in the AN at the virtual path and/or virtual channel level.

1 Scope

The present document specifies the Test Suite Structure and Test Purposes (TSS&TP) for testing the conformity of an implementation to the specification of protocol Broadband Bearer Connection Control (BBCC) of interfaces at the VB5.2 reference point between an Access Network (AN) and a Service Node (SN). The TSS&TP for testing the other protocol named RTMC of interfaces at the VB5.2 reference point is in EN 301 005-3 [2], as it is common with RTMC at VB5.1 reference point.

The test architecture proposed here for the testing of conformity is also used for the design of the Message Sequence Charts (MSCs) produced as test purpose documentation.

2 References

The following documents contain provisions which, through reference in this text, constitute provisions of the present document.

- References are either specific (identified by date of publication, edition number, version number, etc.) or non-specific.
- For a specific reference, subsequent revisions do not apply.
- For a non-specific reference, the latest version applies.
- A non-specific reference to an ETS shall also be taken to refer to later versions published as an EN with the same number.

- [1] ETSI EN 301 005-1 (V1.1): "V interfaces at the digital Service Node (SN); Interfaces at the VB5.1 reference point for the support of broadband or combined narrowband and broadband Access Networks (ANs); Part 1: Interface specification".
- [2] ETSI EN 301 005-3 (V1.1): "V interfaces at the digital Service Node (SN); Interfaces at the VB5.1 reference point for the support of broadband or combined narrowband and broadband Access Networks (ANs); Part 3: Test Suite Structure and Test Purposes (TSS&TP) specification".
- [3] ETSI EN 301 217-1 (V1.2): "V interfaces at the digital Service Node (SN); Interfaces at the VB5.2 reference point for the support of broadband or combined narrowband and broadband Access Networks (ANs); Part 1: Interface specification".
- [4] ETSI EN 301 217-2 (V1.1): "V interfaces at the digital Service Node (SN); Interfaces at the VB5.2 reference point for the support of broadband or combined narrowband and broadband Access Networks (ANs); Part 2: Protocol Implementation Conformance Statement (PICS) proforma specification".
- [5] ISO/IEC 9646-1: "Information technology - Open systems interconnection - Conformance testing methodology and framework - Part 1: General concepts".
- [6] ISO/IEC 9646-2: "Information technology - Open systems interconnection - Conformance testing methodology and framework - Part 2: Abstract test suite specification".
- [7] ITU-T Recommendation M.3010: "Principles for a Telecommunications management network".
- [8] ITU-T Recommendation Q.2931: "Broadband Integrated Services Digital Network (B-ISDN) - Digital Subscriber Signalling System No. 2 (DSS 2) - User-Network Interface (UNI) - Layer 3 specification for basic call/connection control".
- [9] ETSI EN 300 443-1 (V1.3): "Broadband Integrated Services Digital Network (B-ISDN); Digital Subscriber Signalling System No. two (DSS2) protocol; B-ISDN user-network interface layer 3 specification for basic call/bearer control; Part 1: Protocol specification [ITU-T Recommendation Q.2931 (1995), modified]".

- [10] ETSI EN 301 067-1 (V1.1): "Broadband Integrated Services Digital Network (B-ISDN); Digital Subscriber Signalling System No. two (DSS2) protocol; Connection characteristics; Negotiation during call/connection establishment phase; Part 1: Protocol specification [ITU-T Recommendation Q.2962 (1996), modified]".
- [11] ITU-T Recommendation Q.2961.3: "Digital Subscriber Signalling System No. 2 - Additional traffic parameters: Signalling capabilities to support traffic parameters for the available bit rate (ABR) ATM transfer capability".
- [12] ITU-T Recommendation Q.2961.5: "Digital subscriber signalling system No. 2 - Additional traffic parameters: Additional traffic parameters for cell delay variation tolerance indication".
- [13] ETSI EN 301 005-4 (V1.1): "V Interfaces at the Digital Service Node (SN); Interfaces at the VB5.1 Reference Point for the Support of Broadband or Combined Narrowband and Broadband Access Networks (ANs); Part 4: Abstract Test Suite (ATS) and Partial Protocol Implementation eXtra Information for Testing (PIXIT) Proforma Specification".
- [14] ETSI EN 301 068: "Broadband Integrated Services Digital Network (B-ISDN); Digital Subscriber Signalling System No. Two (DSS2) Protocol; Connection Characteristics; ATM Transfer Capability and Traffic Parameter Indication".

3 Definitions and abbreviations

3.1 Definitions

For the purposes of the present document, the following terms and definitions apply:

- terms defined in EN 301 217-1 [3];
- terms defined in ISO/IEC 9646-1 [5] and in ISO/IEC 9646-2 [6].

In particular, the following terms defined in ISO/IEC 9646-1 [5] apply:

Abstract Test Suite (ATS)

Implementation Under Test (IUT)

Point of Control and Observation (PCO)

System Under Test (SUT)

Protocol Implementation Conformance Statement (PICS)

3.2 Abbreviations

For the purposes of the present document, the following abbreviations apply:

AAL	ATM Adaptation Layer
AAL-SAP	AAL - Service Access Point
AN	Access Network
ATM	Asynchronous Transfer Mode
BBCC	Broadband Bearer Connection Control
B-ISDN	Broadband ISDN
B-ISUP	Broadband ISDN Signalling User Part
B-UNI	Broadband UNI
BA	Basic (rate) Access
CPE	Customer Premises Equipment
CPN	Customer Premises Network
ET	Equipment Terminal
FSM	Finite State Machine
ID	Identity

IE	Information Element
INI	Inter-Network Interface
ISDN	Integrated Services Digital Network
LAN	Local Area Network
LE	Local Exchange
LME	Layer Management Entity
LMI	Local Management Interface
LSP	Logical Service Port
LUP	Logical User Port
MIB	Management Information Base
MSC	Message Sequence Chart
N-ISDN	Narrowband ISDN
NNI	Network-to-Network Interface
OAM	Operations Administration and Maintenance
PDH	Plesiochronous Digital Hierarchy
PDU	Protocol Data Units
PSP	Physical Service Port
PSTN	Public Switched Telephone Network
PUP	Physical User Port
Q3	"Q" management interface reference point as ITU-T Recommendation M.3010 [7]
RTMC	Real Time Management Co-ordination
SAAL	Signalling ATM Adaptation Layer
SAP	Service Access Point
SAR	Segmentation and Reassembly
SDH	Synchronous Digital Hierarchy
SDL	Specification and Description Language
SDU	Service Data Units
SN	Service Node
SNI	Service Node Interface
SP	Service Port
SPS	Signalling Protocols and Switching
SSCF	Service Specific Co-ordination Function
SSCOP	Service Specific Connection Oriented Protocol
TC	Technical Committees
TE	Terminal Equipment
TMN	Telecommunication Management Network
TP	Transmission Path
UNI	User-Network Interface
VB	Broadband "V" reference point
VC	Virtual Channel (ATM)
VCC	VC Connection
VCCT	VCC Termination
VCE	Virtual Channel Entity
VCI	VC Identifier
VCL	VC Link
VCME	VC Multiplex Entity
VP	Virtual Path
VPC	VP Connection
VPCI	VP Connection Identifier
VPCT	VPC Termination
VPE	VP Entity
VPI	VP Identifier
VPL	VP Link
VPME	VP Multiplex Entity
VUP	Virtual User Port

4 Test Suite Structure

Figure 1 shows the structure of the V5.2 BBCC test suite when the AN is the IUT.

Figure 2 shows the structure of the V5.2 BBCC test suite when the SN is the IUT.

The first level is structured according to the BBCC procedures. The second level is structured according to test category. The meaning of the codes in the tree is given in subclause 5.2.

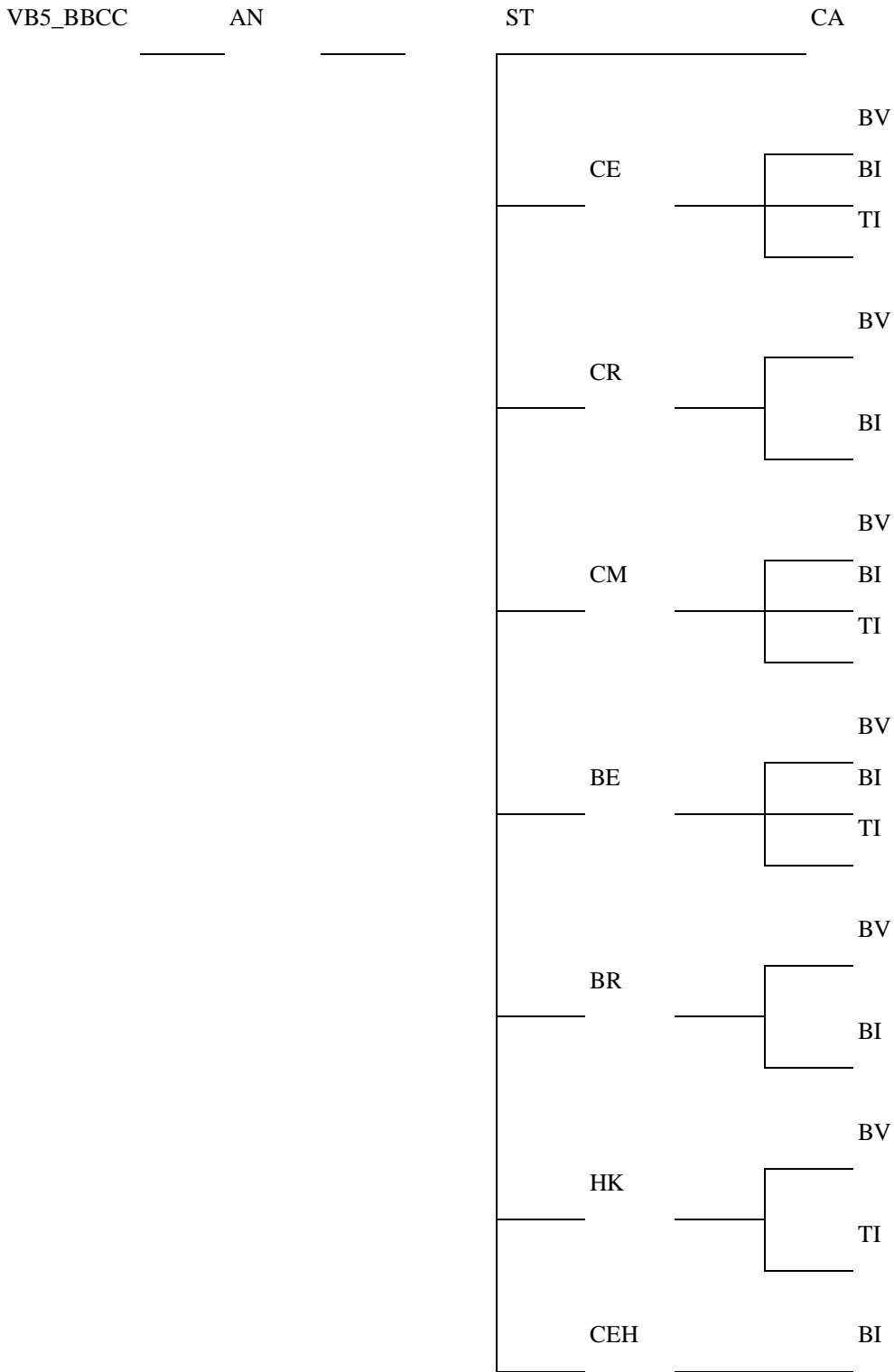


Figure 1: VB5 BBCC AN TSS

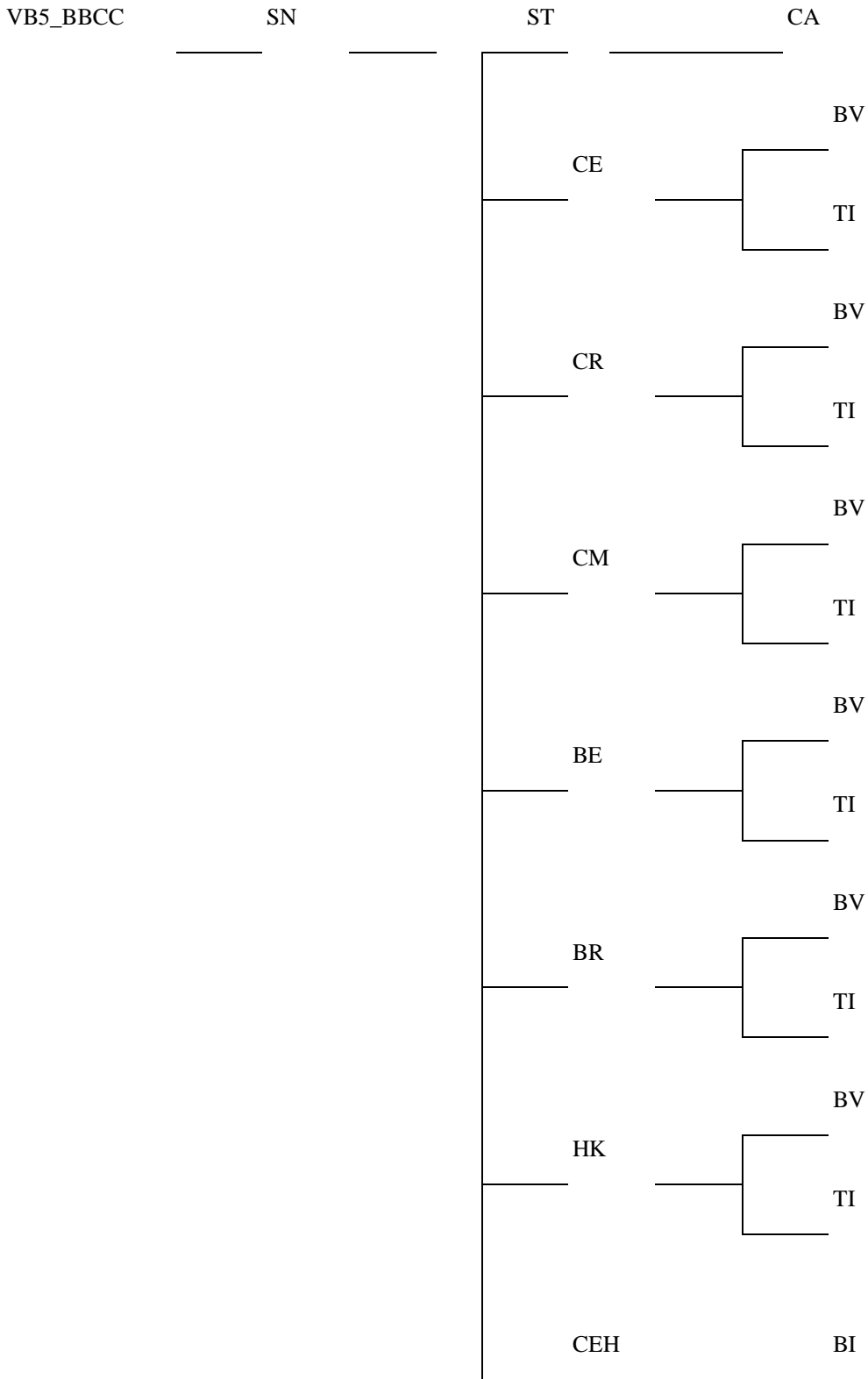


Figure 2: VB5 BBCC SN TSS

Invalid behaviour of the tester comprises: reference to unknown resources, unknown message type, and errors in common message fields (protocol discriminator, transaction identifier, message length).

BGCC timer tests and inopportune behaviour tests are related to a number of specific BBCC procedures and the test suite has been structured accordingly.

NOTE: Tolerance interval for timer test.

Tests of timers related to correction of transmission errors in communication with peer network element (see EN 301 217-1 [3] subclause 13.6.1.5.3) have as essential purpose to check that the timer function and the retransmission function are implemented. In the test suite, a calibration of each timer is also performed, i.e. a lower time limit and an upper time limit are set around the nominal timer value for the reception of the retransmitted messages. The PASS verdict is granted if reception is observed between these two limits. These limits are chosen by the implementer. The time interval defined by these limits will be called hereafter the "tolerance interval".

5 Test Purposes description and naming

5.1 Method used for the description of the TPs

Each TP is described using textual information presented in a table. This table is followed by an MSC representing the test scenario.

5.1.1 Text format of TP

The table describing each TP is as follows.

TP-Name is a unique identifier, created according to the TP naming conventions (also the name of the corresponding test case)	Reference to the paragraph number of specification EN 301 217-1 [3] stating the conformance requirement
Purpose	Purpose of the test performed against a requirement of the protocol
Test description	Information on the test body, describing actions and parameters
Pass criteria	Visible action to be observed at PCO to declare that the IUT passes the test and conforms to the specifications
Selection	"None" or expression based on EN 301 217-2 [4] PICS and PIXIT statements, used to select or deselect the corresponding test case according to the options of the implementation (note)
Preamble	"None" or name of the preamble procedure bringing the IUT from idle state to the state required to run the test
Postamble	"None" or name of the postamble to bring the IUT back to idle state
Additional testing	Additional information, present in specification, for possible informal testing beyond BBCC protocol (for instance, if tester is capable of observation/action via additional interface like Q3 or signalling interfaces)
NOTE:	For some tests, an expression based on PIXIT parameters with binary yes/no value may be used. This may happen if the test case shall only be selected when a specific reaction of the AN VB5.2 application function can be expected (e.g. rejection of an ALLOC request with cause "ATM transfer capability not supported"). This may be obtained by suitable settings in the System Under Test combined with suitable assignment of PIXIT parameter values in the messages sent by the tester. The exact setting is system dependent and outside the scope of the present document.

5.1.2 MSC associated to the text of TP

For illustration purposes a MSC in graphical form follows selected TP tabulated descriptions. The MSC is produced by exercising the SDL model, whenever possible. If the procedure is not modelled, then the corresponding MSC is drawn manually.

The columns identified in the MSC represent, from left to right, the tester, the IUT (i.e. the AN or SN System), and the VB5.2 environment functions.

As an MSC is focusing on the body of the test, the preamble is represented by a single box in the MSC.

The following arrows represent the exchange of PDU of BBCC protocol at the VB5.2 interface, which corresponds to PCO named VB5 in the test suite. When needed, a stimulus to initiate the execution of a BBCC procedure is also depicted.

5.1.3 Parameters shown in TP

For clarity sake, only the parameters most relevant to the test purpose are shown in the diagram. In addition and on certain test cases and PDUs, like RESET_COMPLETE_LSP or BBCC_PRESYNC, the LSP connection identifier is not shown.

The values of these parameters are either imposed by the test because they are specified by the BBCC protocol, or they are informative because they pertain to the VB5.2 application functions. In this case they can be chosen arbitrarily in ranges compatible with the specifications.

The list of parameters, for which a value is to be assigned before the execution of a test suite, is included in the PIXIT proforma of the BBCC protocol.

Annex A of the present document contains a copy of this PIXIT proforma parameter table. For illustration purposes, this proforma table has been completed with the parameter values used in the MSCs examples of the present document.

All represented parameters are defined using the correct format, usually hexadecimal, except for the following which appear in decimal value:

- transIdVal;
- connRefNoVal;
- connRefNos;
- branchIdVal;
- branchIds;
- rejCauseOctet;
- protErrCause.

5.1.4 Stimuli for the IUT

The environment of the AN or the SN is using a stimulus to initiate the execution of a BBCC procedure. These stimuli appear as special signals in the MSCs associated with each Test Purpose.

These signals are described here together with their associated parameters:

- AN_Faulty () generates AN_FAULT;
- SN_ConnEst(connRefNoVal, branchId) generates ALLOC and ALLOC_COMP;
- SN_Dealloc(connRefNoVal) generates DEALLOC;
- SN_Modify(connRefNoVal) generates MODIFY;
- SN_ModifyComp(connRefNoVal) generates MODIFY_COMP;
- SN_ModifyAbort(connRefNoVal) generates MODIFY_COMP;
- SN_AddBranch(connRefNoVal, branchId) generates ADD_BRANCH;
- SN_UpdateBranch(connRefNoVal, branchId) generates UPDATE_BRANCH;
- SN_DropBranch(connRefNoVal, branchId) generates DROP_BRANCH;
- SN_Reset generates BBCC_RESET;
- SN_Presync generates BBCC_PRESYNC.

5.2 Test purpose naming convention

The identifier of the TP is built according to the following scheme.

Table 1: TP identifier naming convention scheme

Identifier: VB5_<i>_<IUT>_<pp>_<cc>_<nn>	
VB5	VB5.2 reference point specification
<i>	BBCC protocol at interface VB5.2
<IUT>	AN: BBCC System in the Access Network is the IUT SN: BBCC System in the Service Node is the IUT
<pp>	= procedure identifier like: ST StartUp CE Connection Establishment CR Connection Release CM Connection Modify BE Branch Establishment BR Branch Release HK HouseKeeping (Reset, Fault) CEH Common Error Handling
<cc>	= test category: CA Capability tests BV Valid Behaviour tests BI Invalid Behaviour tests TI Timer tests
<nn>	= sequential number: (01-99)
Example of test purpose and test case name: VB5_BBCC_AN_CM_BV_02.	

5.3 Preambles and postambles

5.3.1 Preamble descriptions

The preambles are used to bring the IUT from power-on state to the correct state where a test can take place. They differ whether the IUT is an AN or a SN.

5.3.1.1 AN is the IUT

P_AN_start: starts the AN configuration.

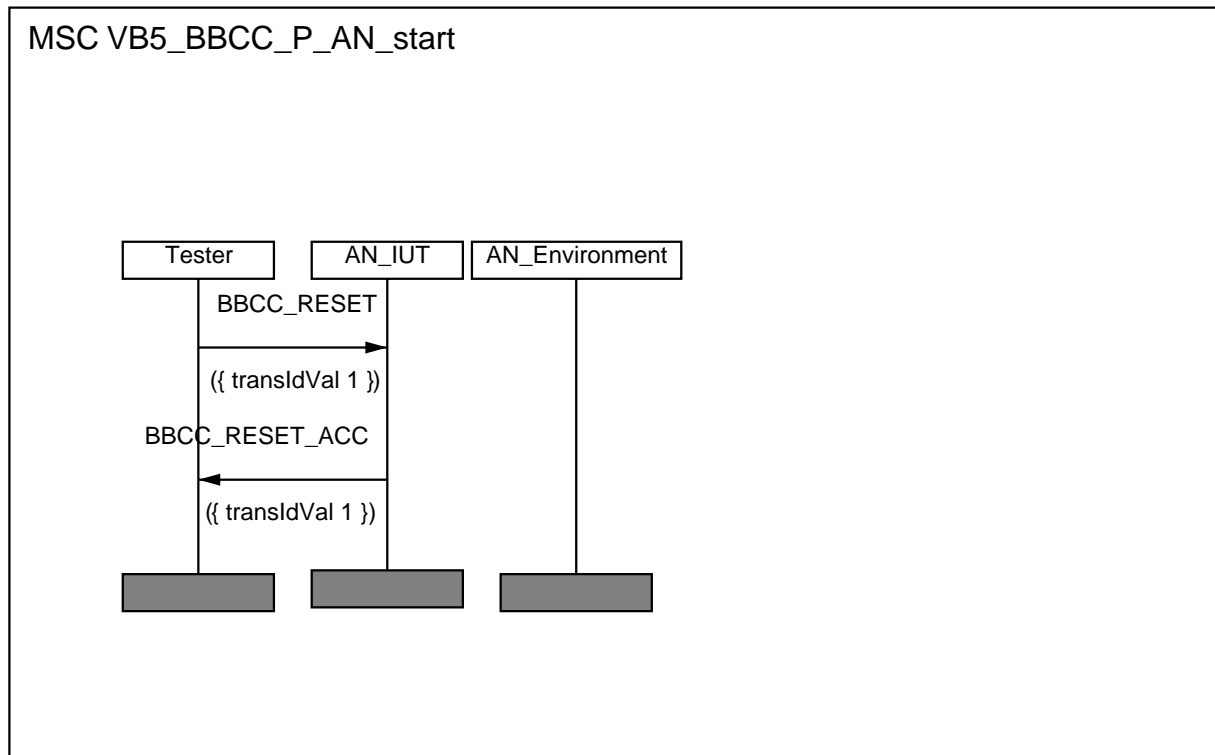


Figure 3

P_AN_1ptp: starts AN and allocates one Point-to-Point connection.

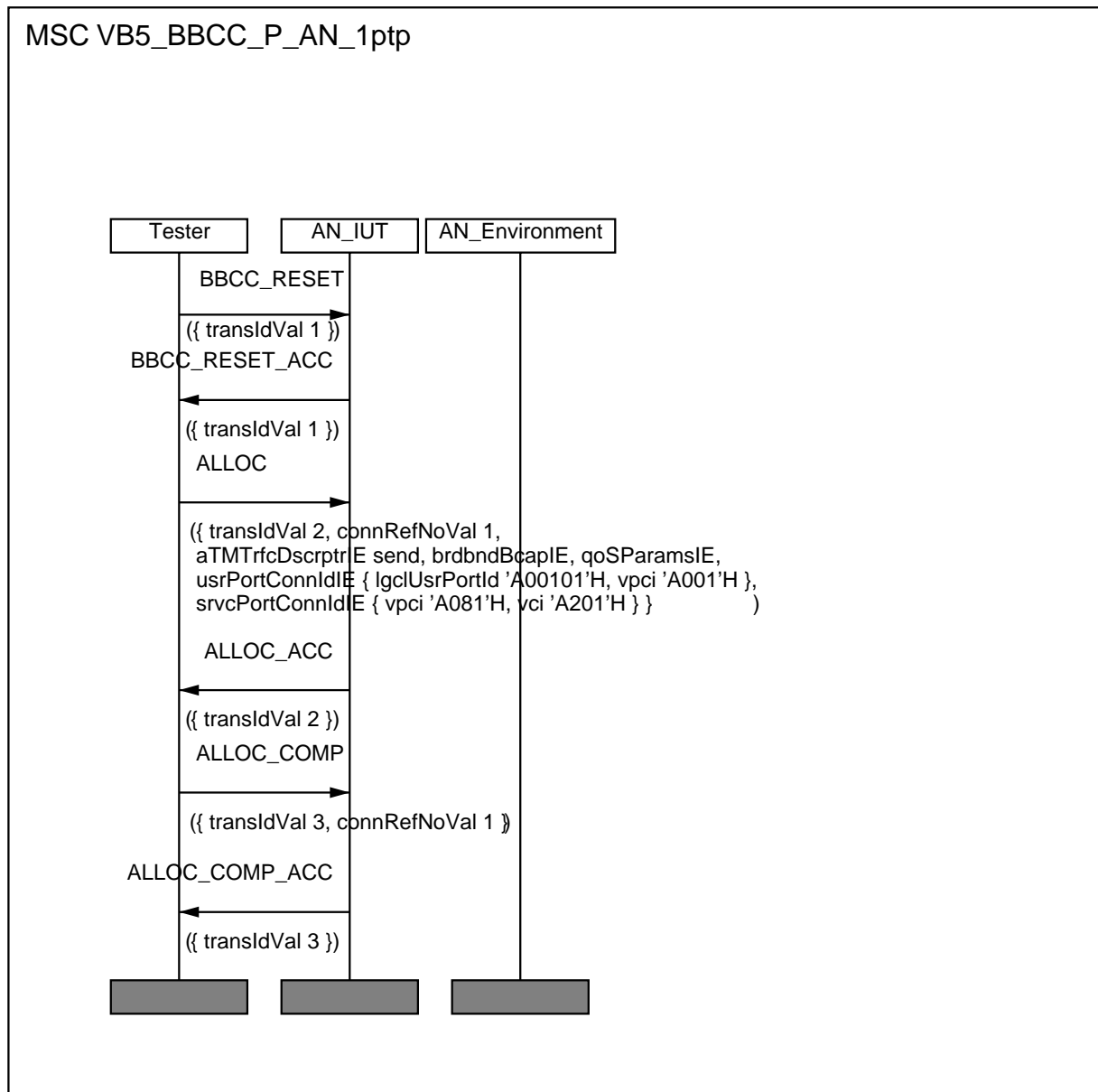


Figure 4

P_AN_1ptm: starts AN and allocates one Point to Multipoint connection, first branch only is established.

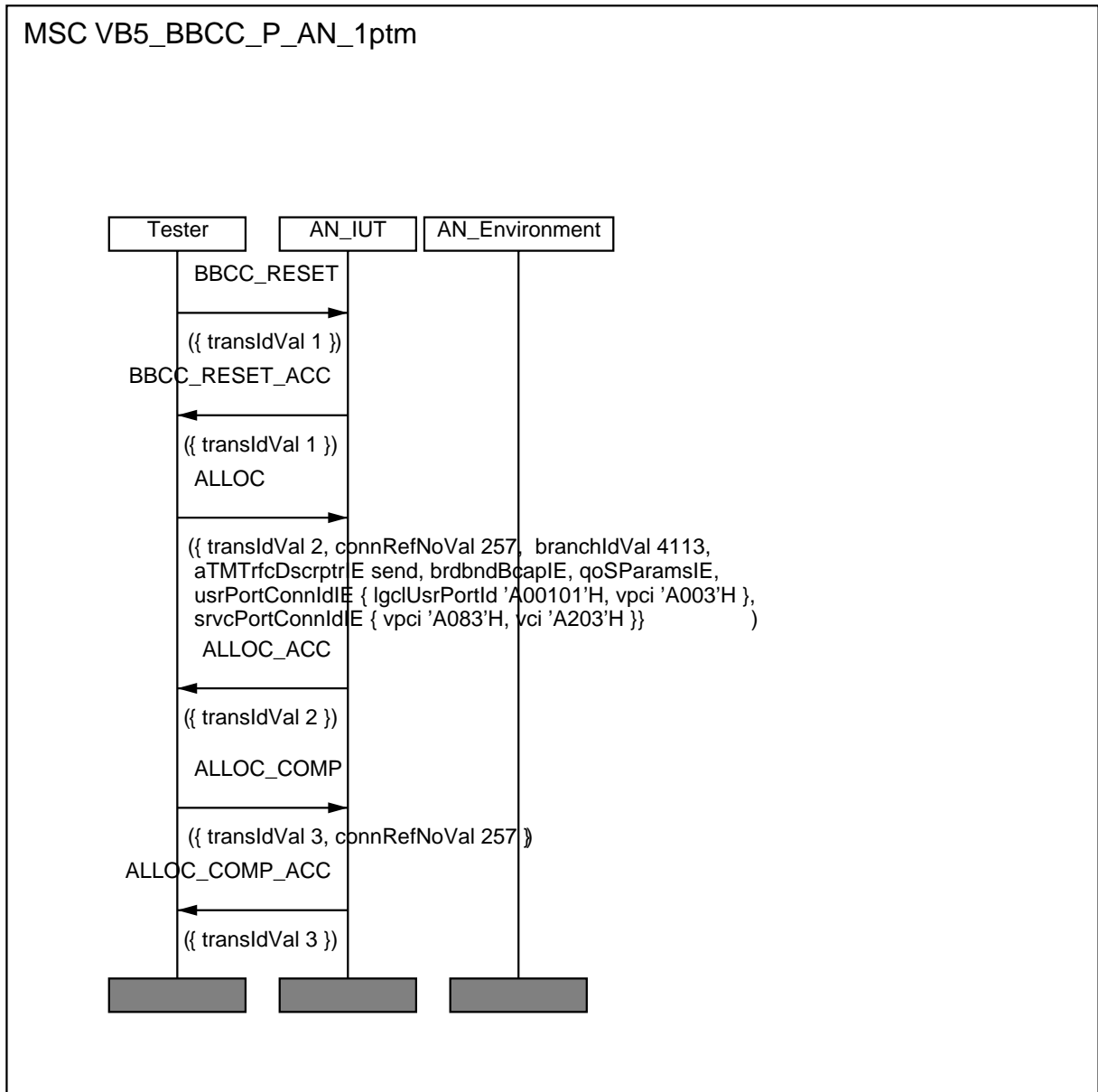


Figure 5

P_AN_1ptmTwoB: starts AN and allocates Point to Multipoint PtM1 connection, PtM1 connection has two branches.

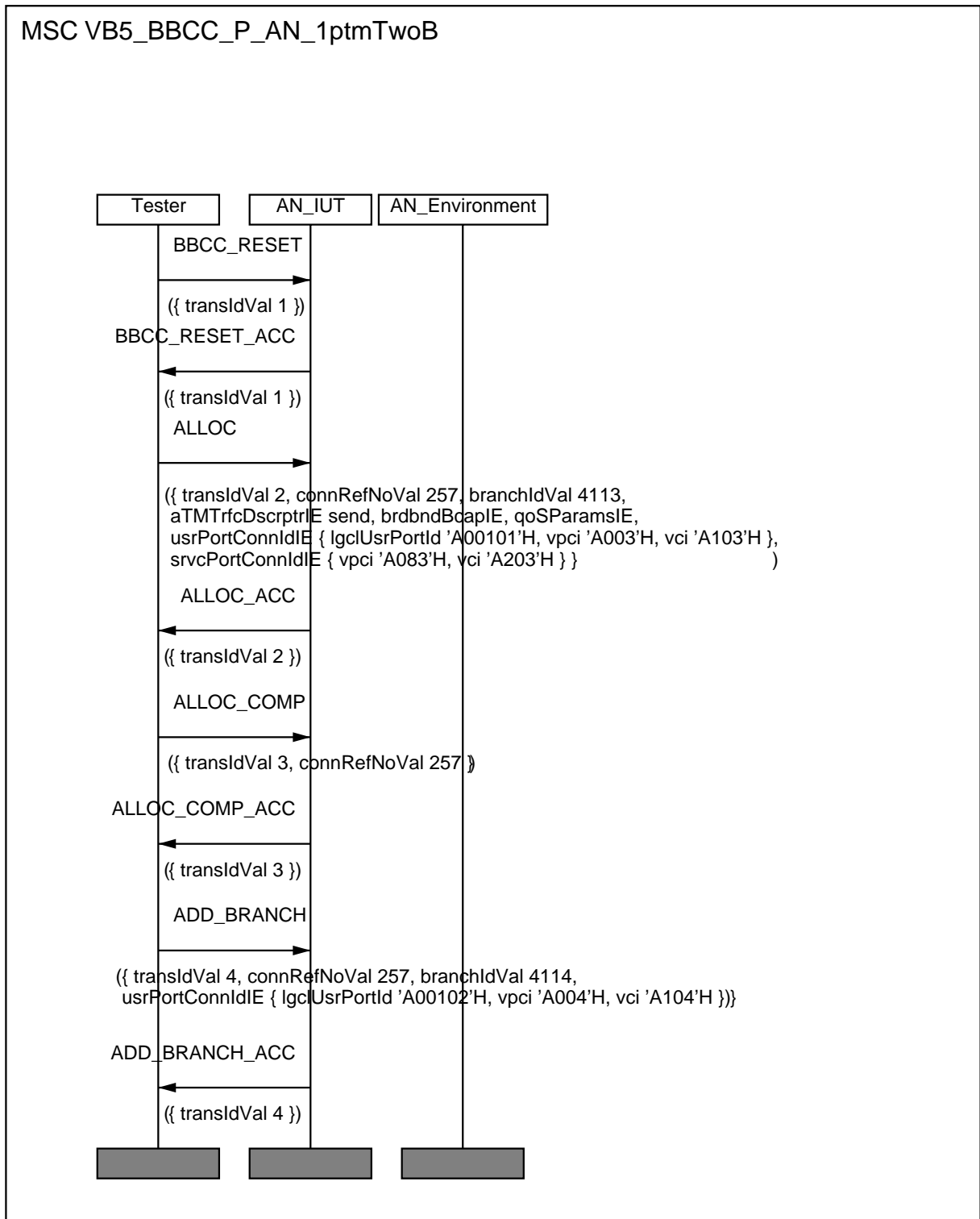


Figure 6

P_AN_1ptmThreeB: starts AN and allocates PtM2 Point to Multipoint connection, PtM2 connection has three branches.

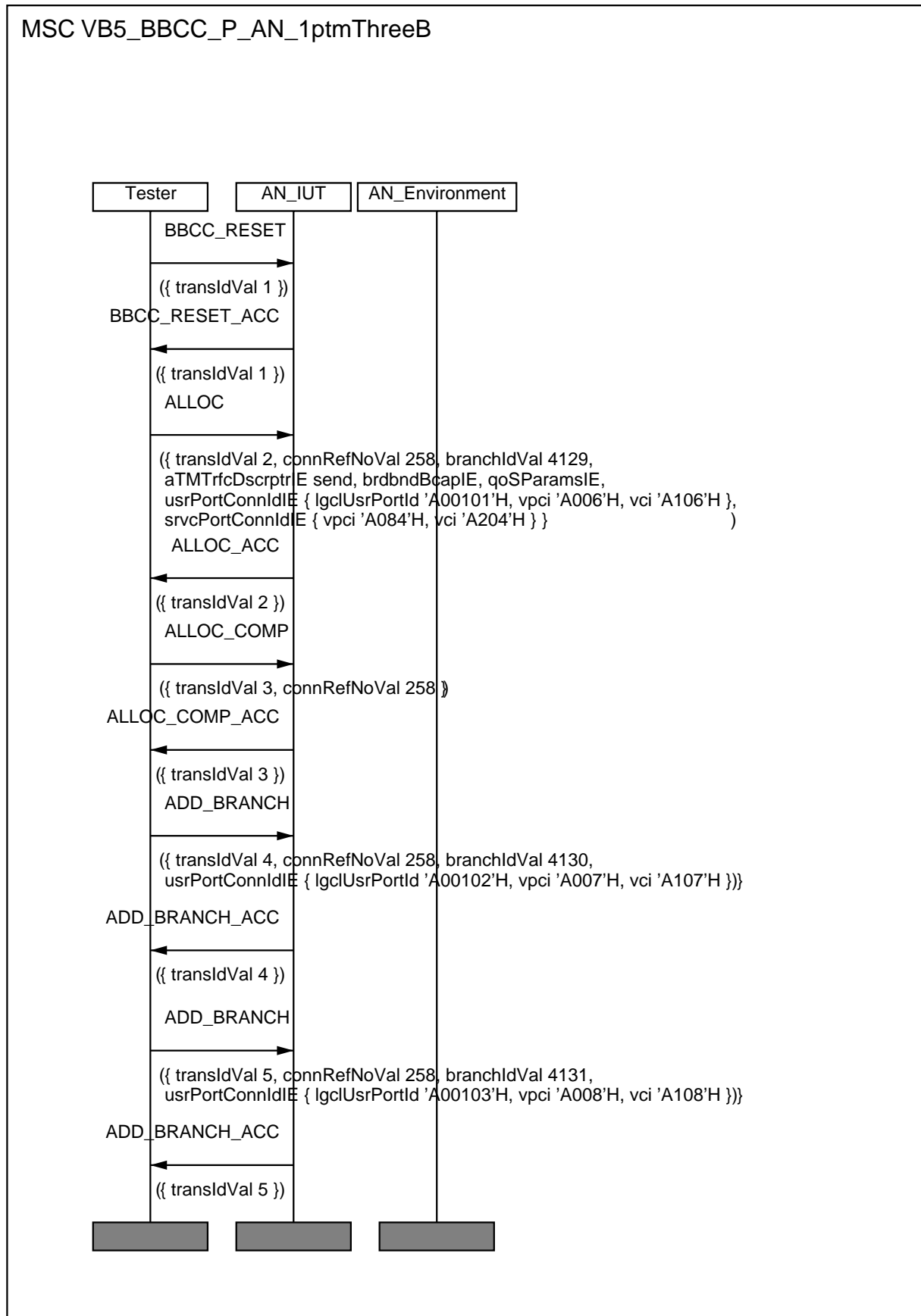


Figure 7

P_AN_2ptp: starts AN and allocates two Point-to-Point connections, PtP1 and PtP2.

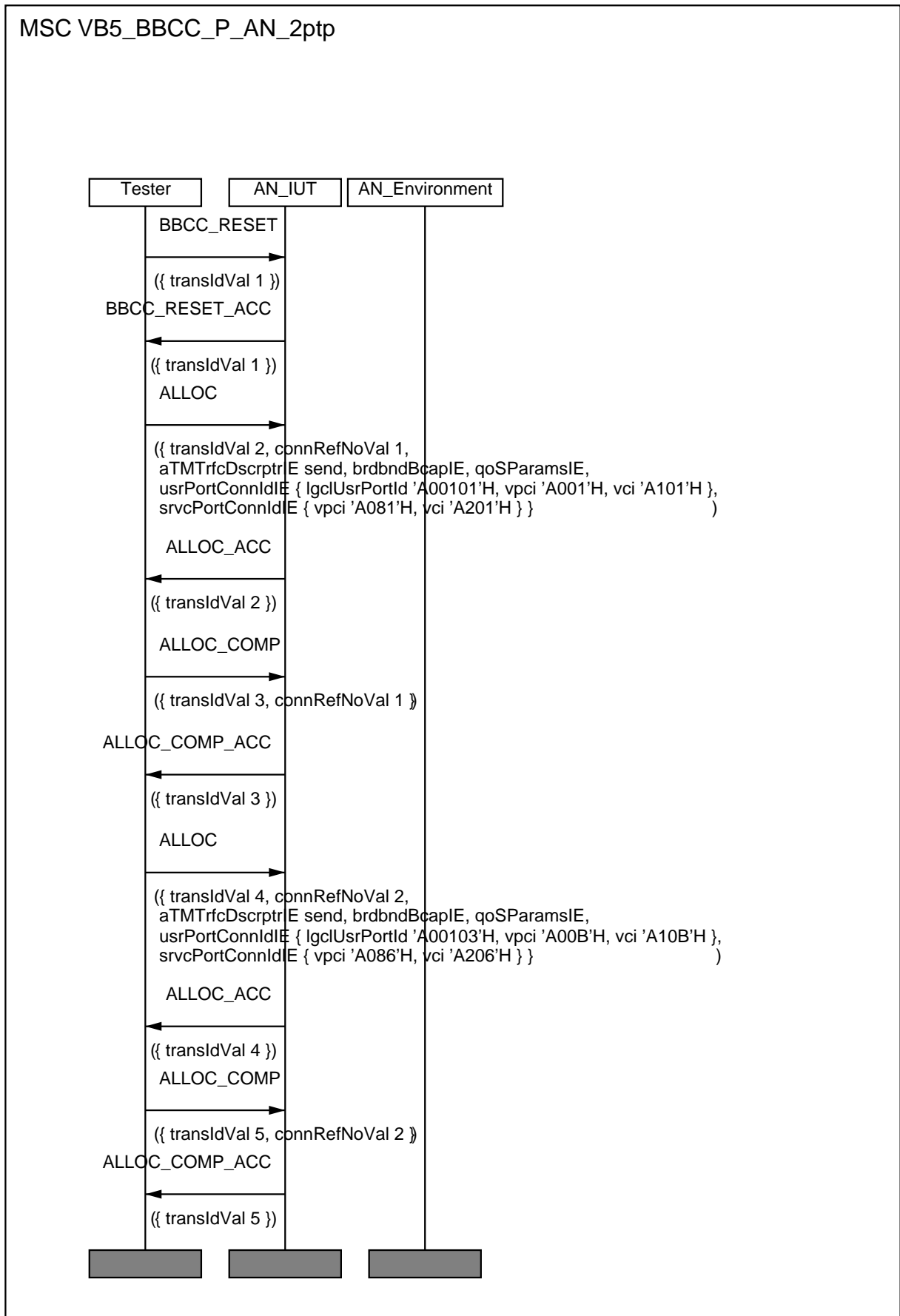


Figure 8

P_AN_2ptm: starts AN and allocates two Point to Multipoint connections, PtM1 connection has two branches, PtM2 has three branches.

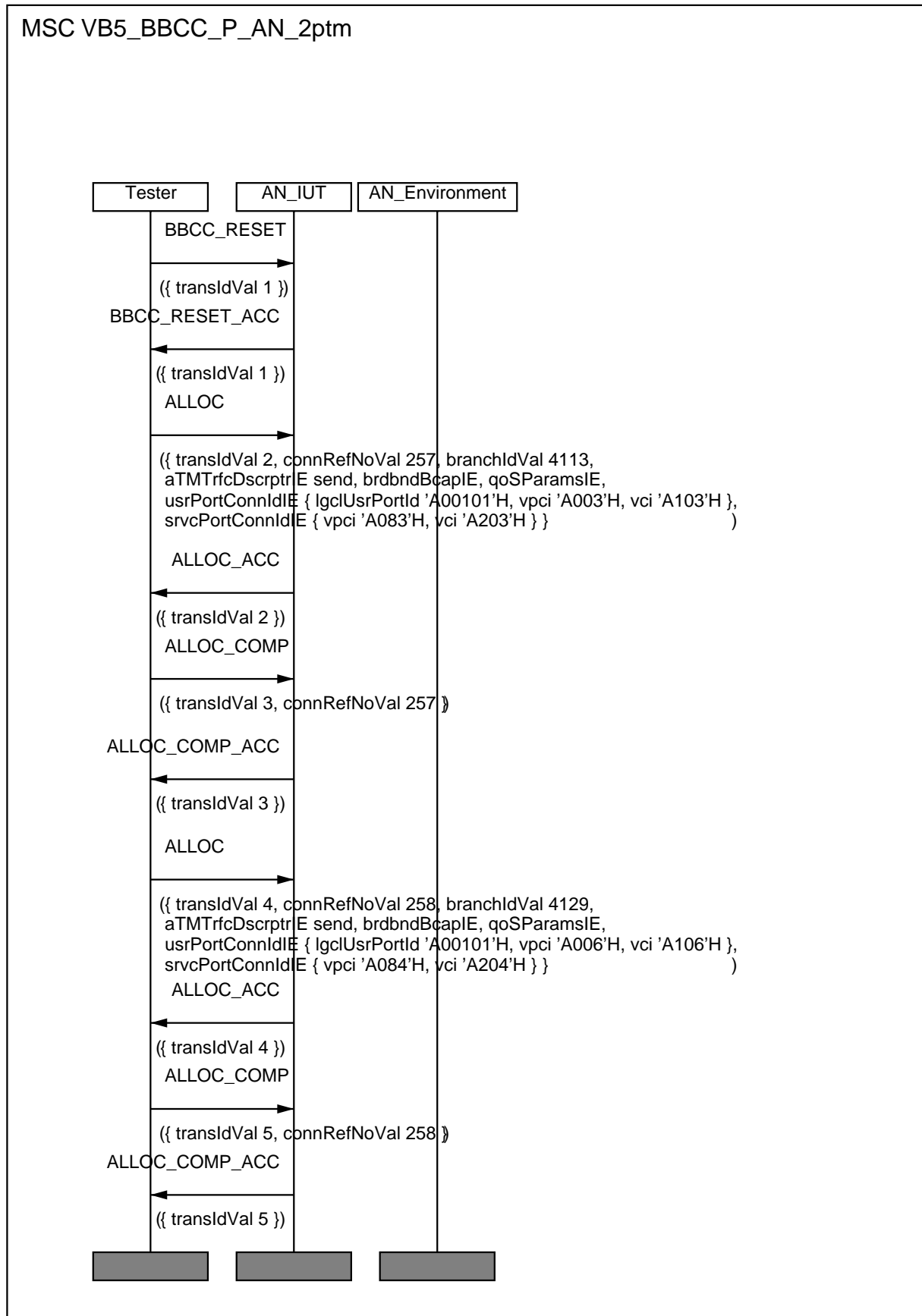


Figure 9

P_AN_1ptp1ptm: starts AN and allocates one Point-to-Point Point to Multipoint connections.

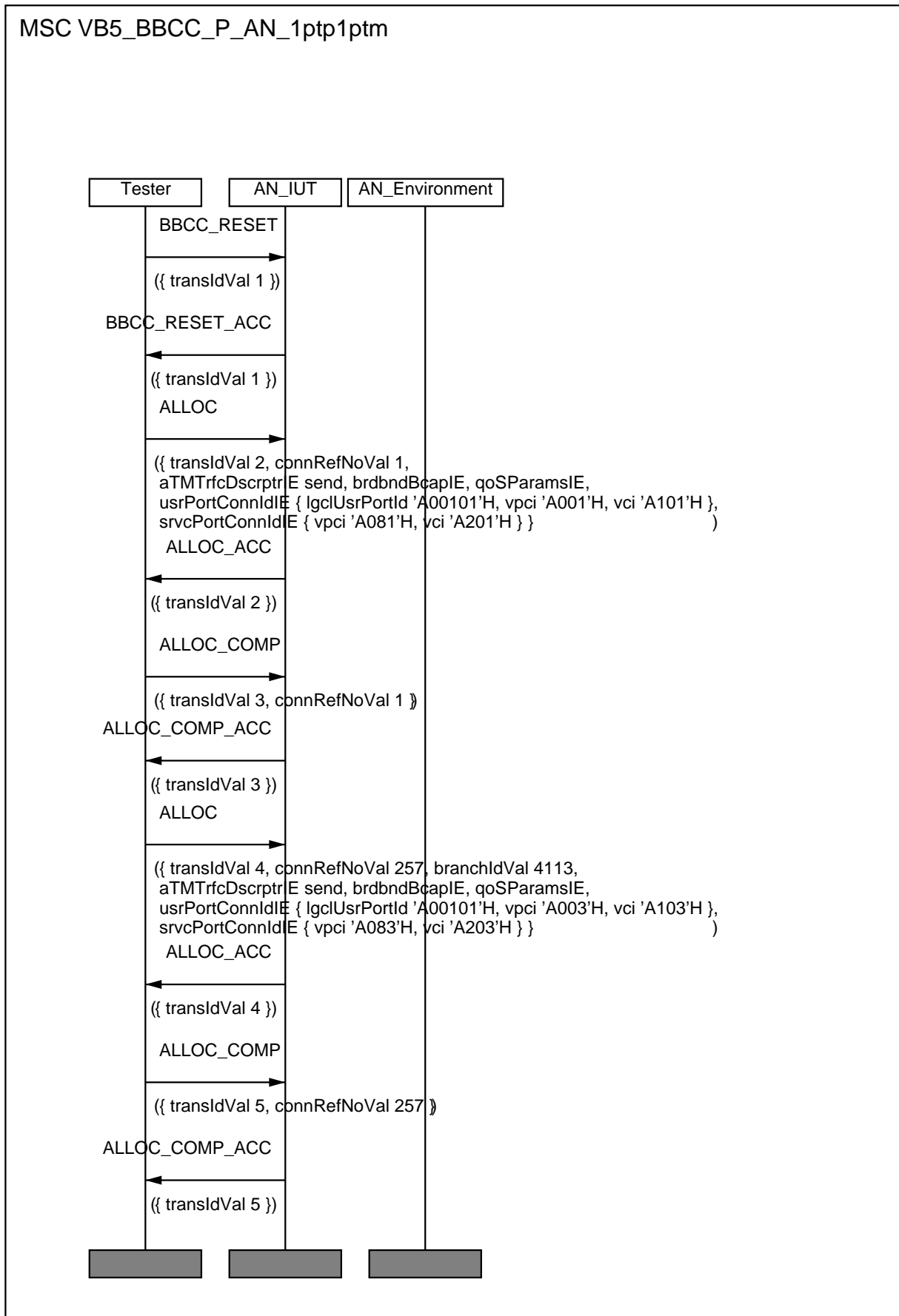


Figure 10

5.3.1.2 SN is the IUT

P_SN_start: starts the SN configuration.

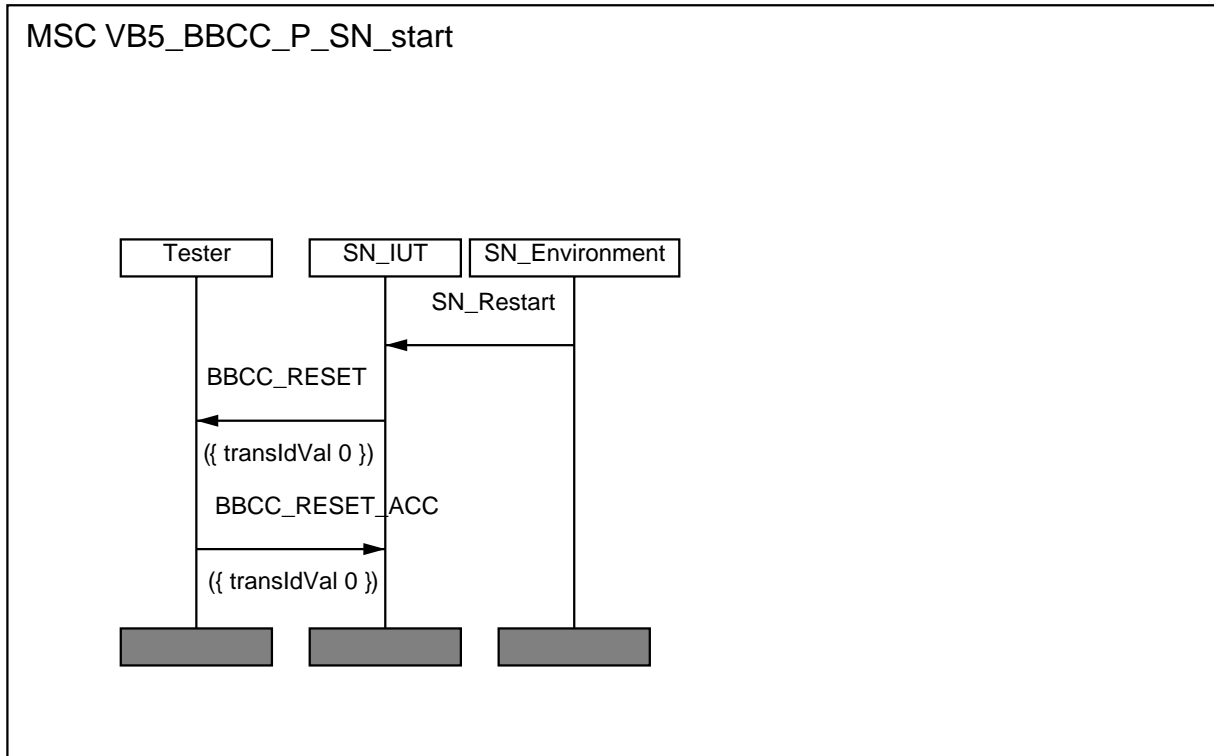


Figure 11

P_SN_1ptp: starts SN and allocates one Point-to-Point connection.

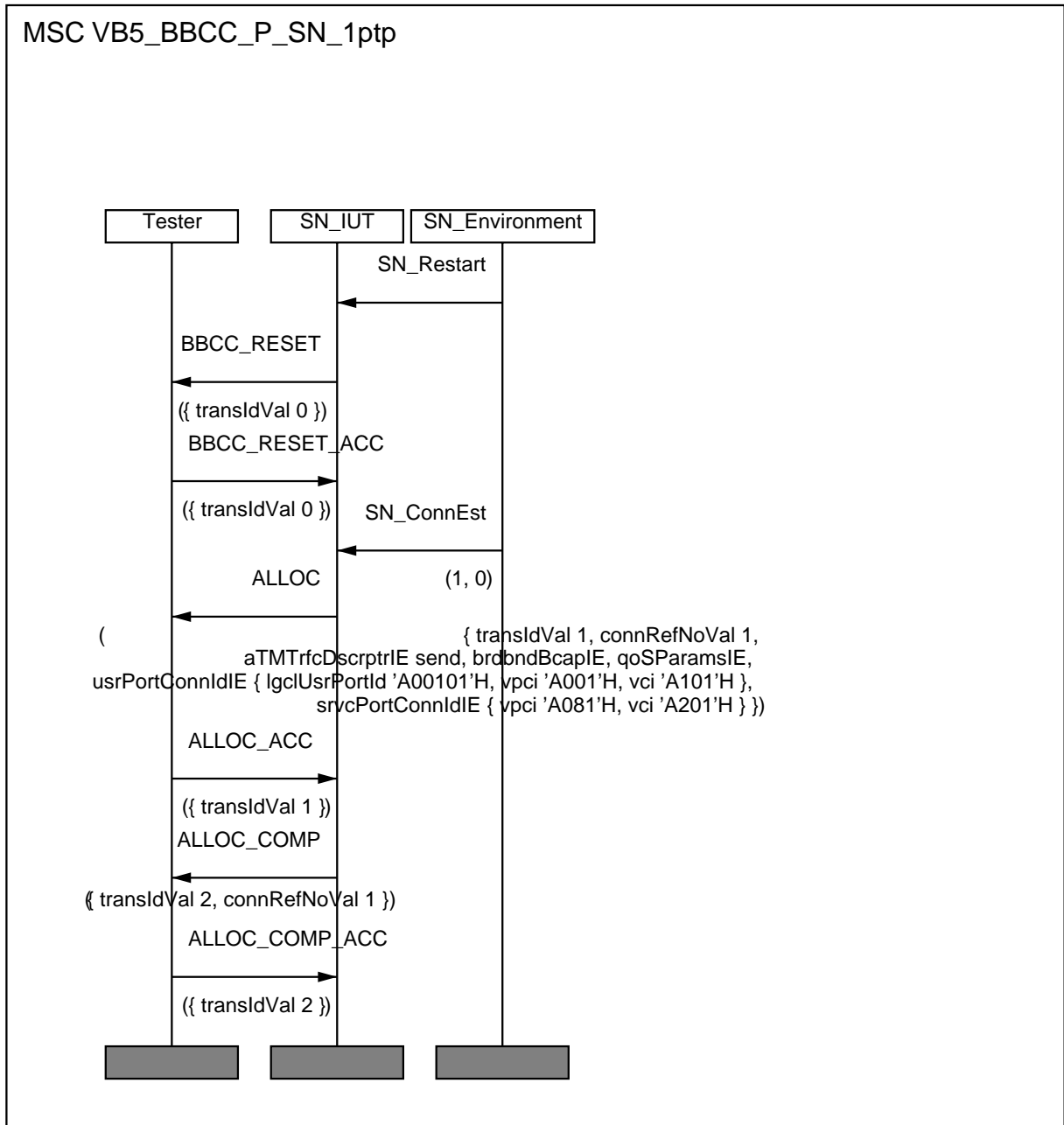


Figure 12

P_SN_1ptm: starts SN and allocates one Point to Multipoint connection, first branch only is established.

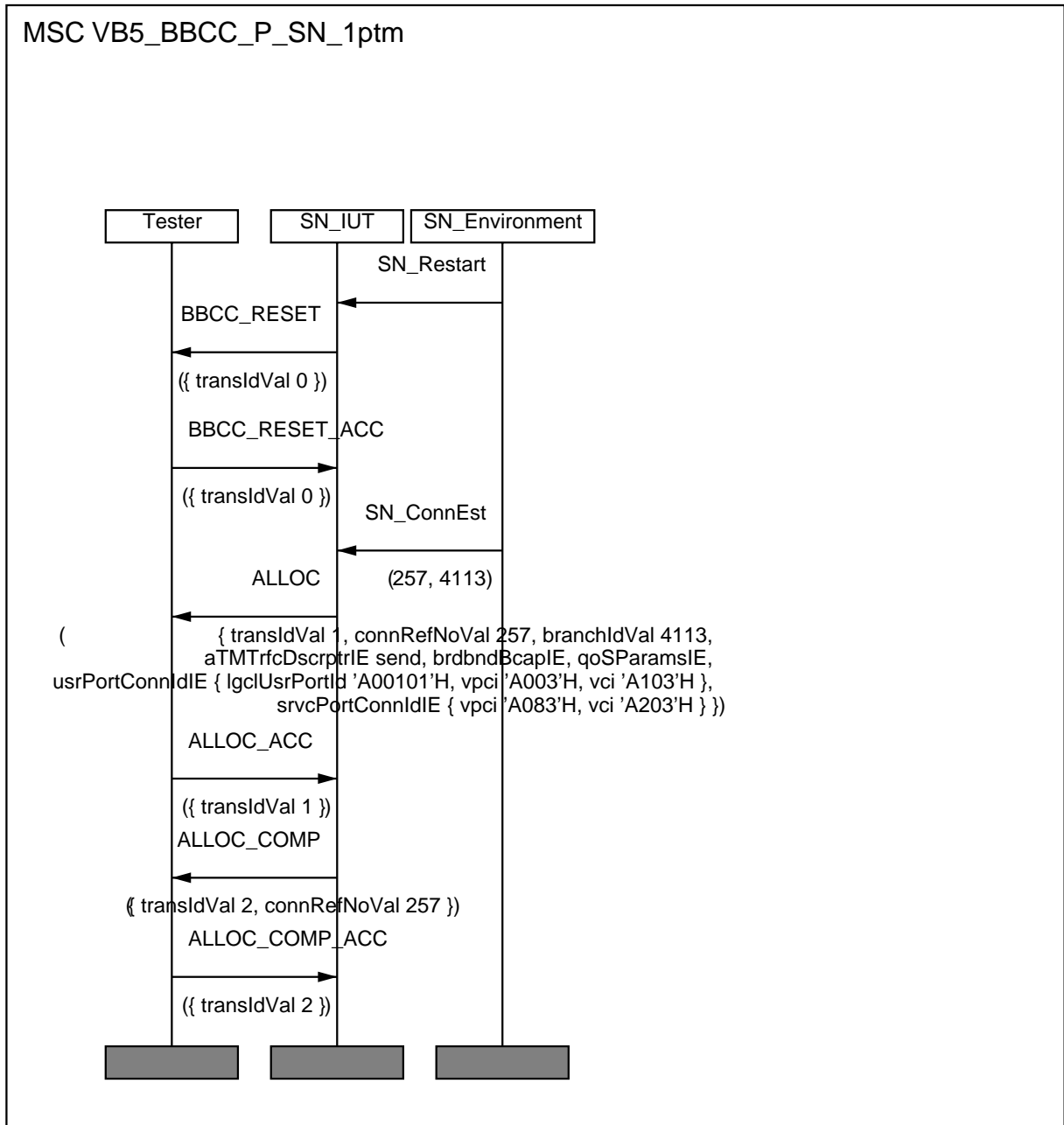


Figure 13

P_SN_1ptmTwoB: starts SN and allocates PtM1 Point to Multipoint connection, PtM1 connection has two branches.

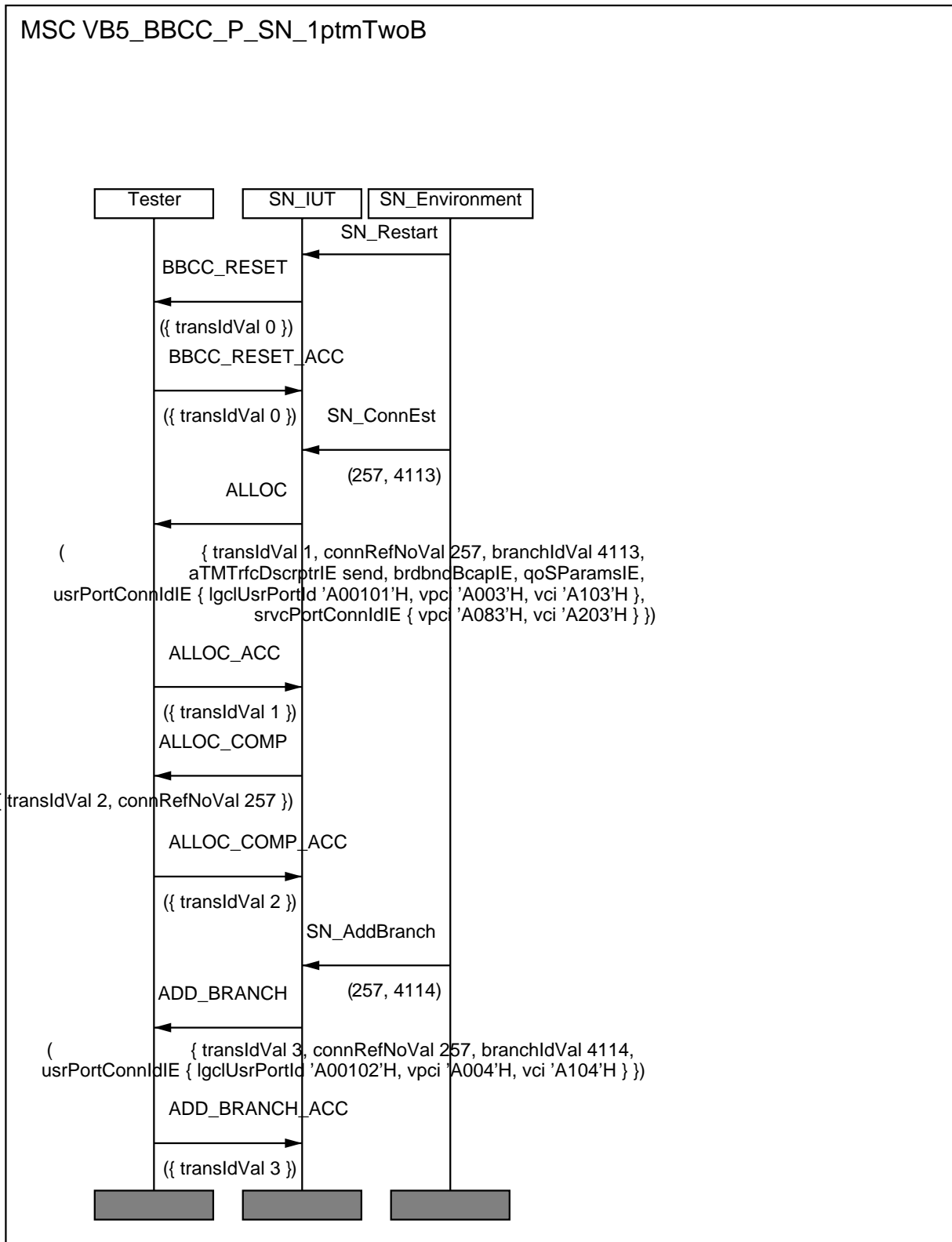


Figure 14

P_SN_1ptmThreeB: starts AN and allocates PtM2 Point to Multipoint connection, PtM2 connection has three branches.

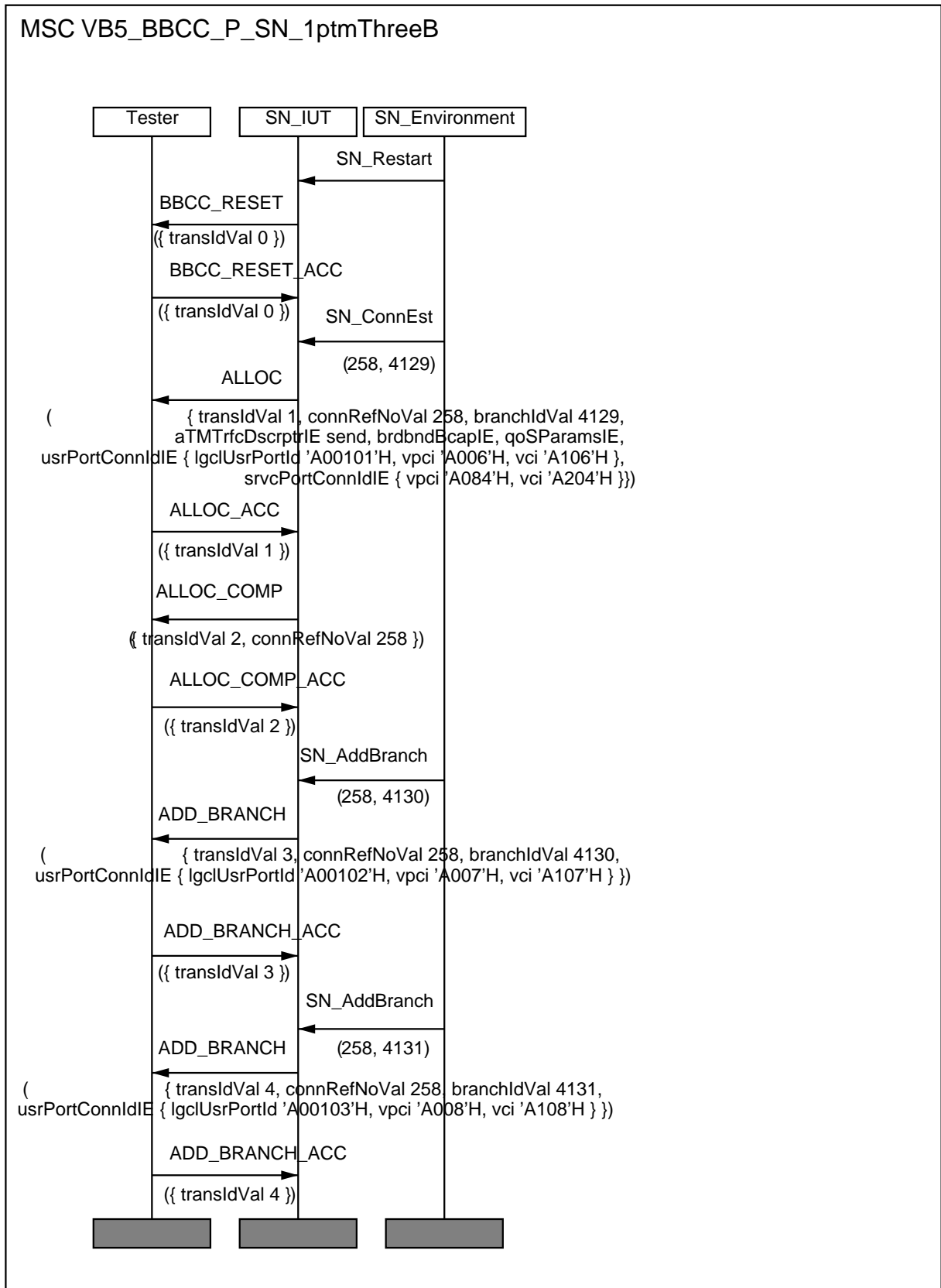


Figure 15

P_SN_2ptp: starts AN and allocates two Point-to-Point connections.

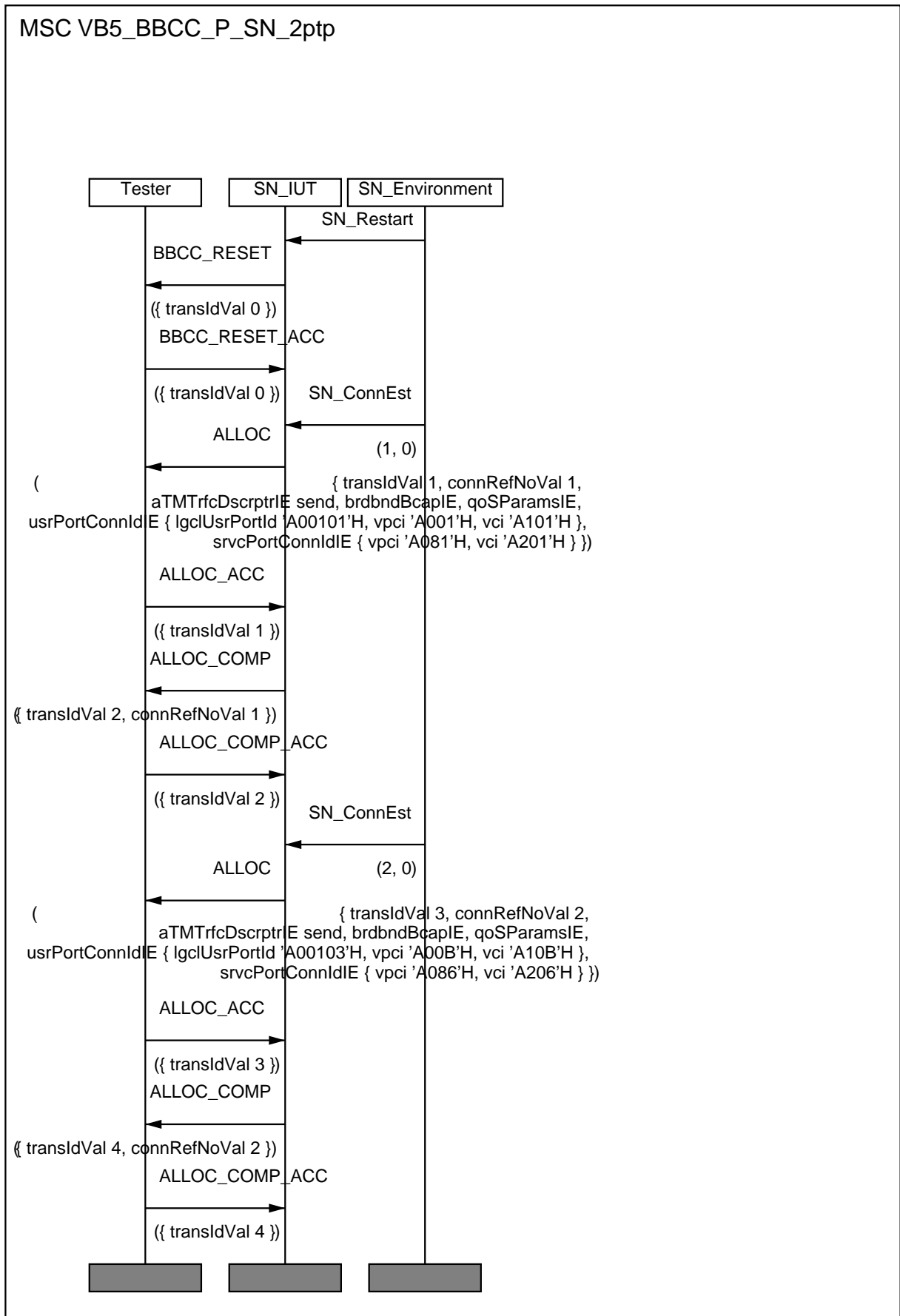


Figure 16

P_SN_2ptm: starts AN and allocates two Point to Multipoint connections, PtM1 connection has two branches, PtM2 has three.

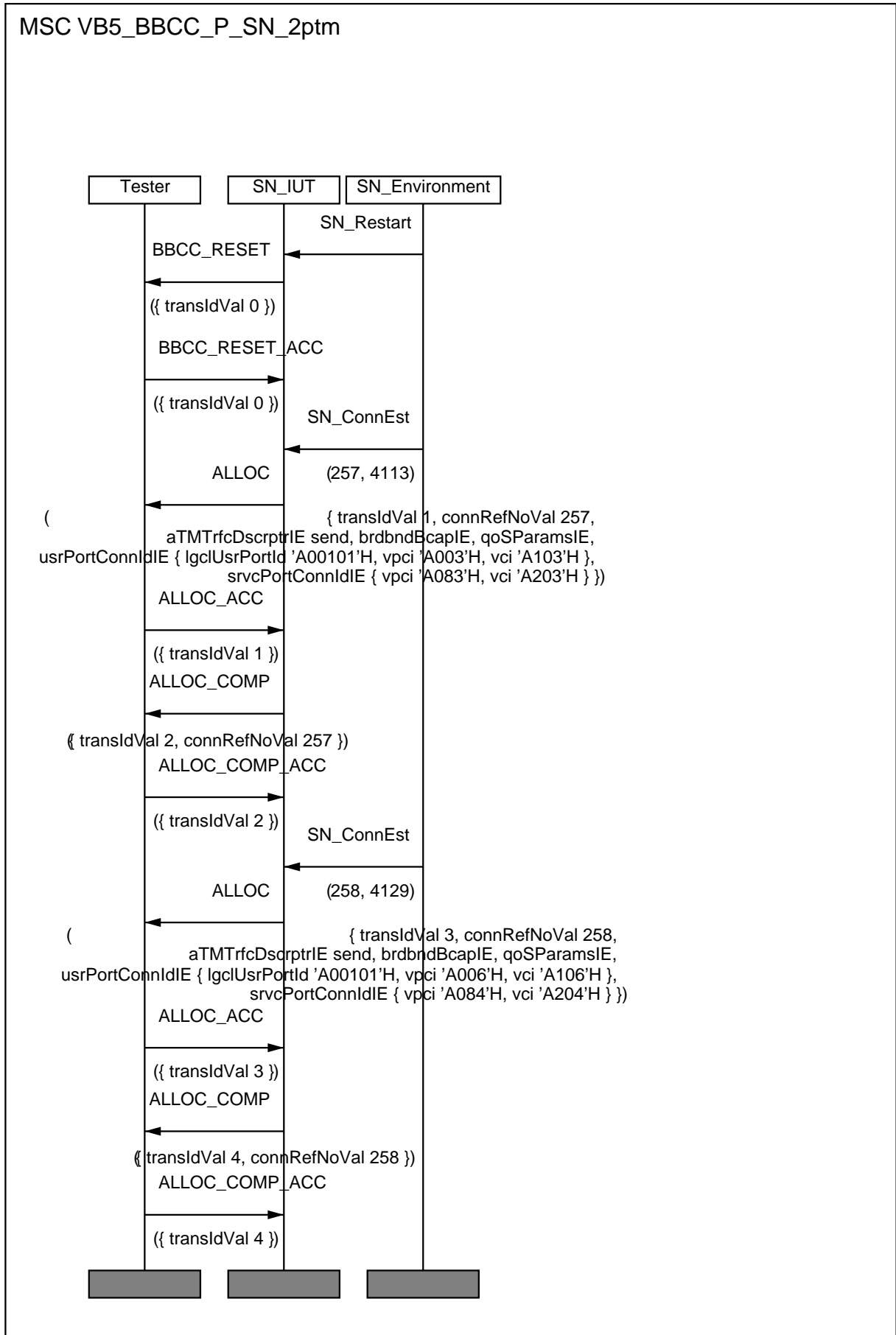


Figure 17

P_SN_1ptp1ptm: starts AN and allocates one Point-to-Point Point to Multipoint connections.

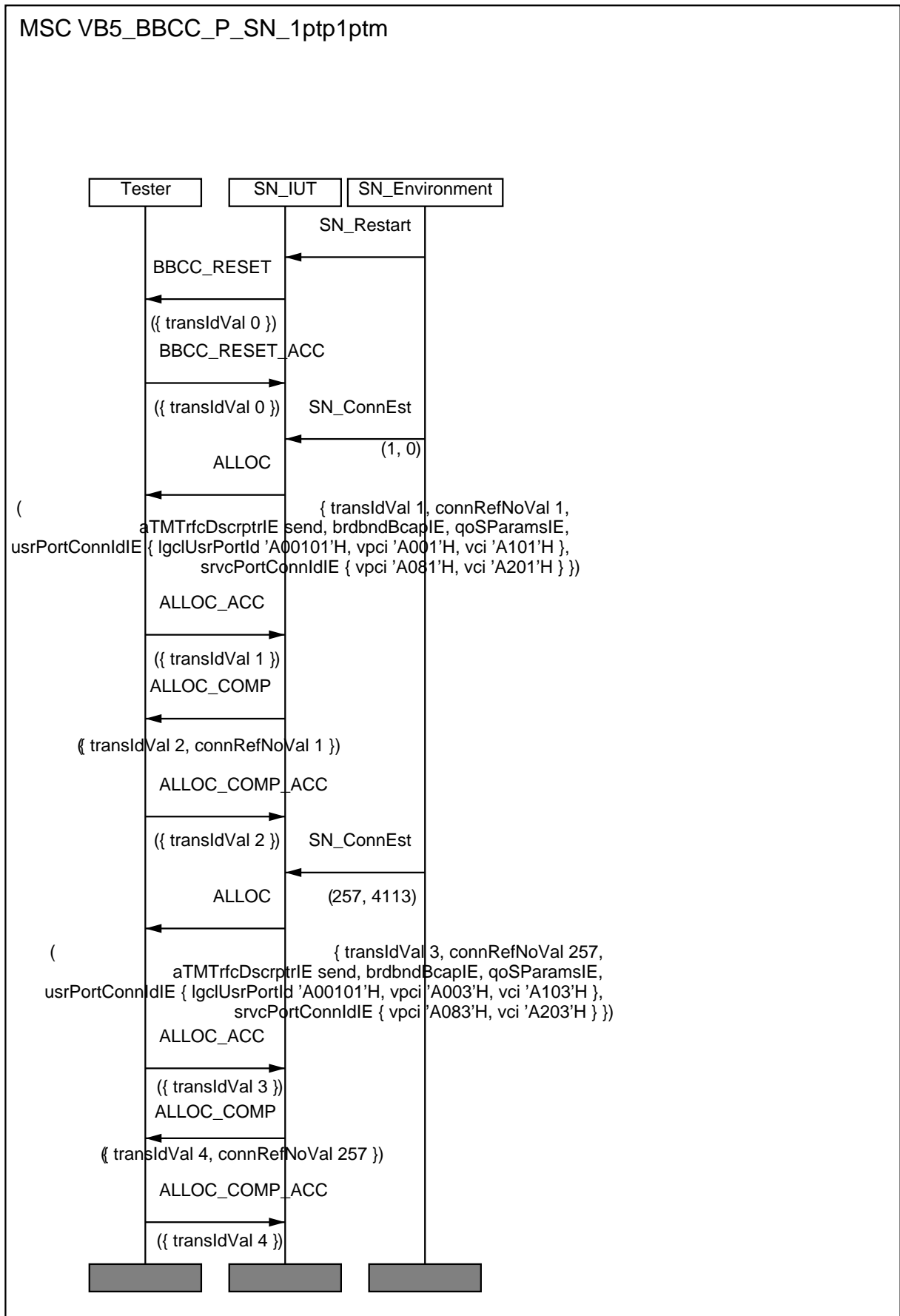


Figure 18

5.3.2 Postamble descriptions

No postamble is used in this test suite.

6 Test Purposes definitions

6.1 AN is the IUT

6.1.1 Basic capability tests (CA)

This test verifies the capability of the AN to exchange valid messages with the tester. It consists in starting up the AN BBCC.

Start Up procedure (ST).

VB5_BBCC_AN_ST_CA_01	Reference EN 301 217-1 [3]: 13.6.4.5
Purpose	Check start up of BBCC
Test description	The tester sets up the layer 2 (SAAL establishment) then it sends a BBCC_RESET PDU (RESET complete LSP)
Pass criteria	Check that the tester is receiving the BBCC_RESET_ACC
Selection	None
Preamble	None
Postamble	None
Additional testing	The AN environment receives meeBBCCStartTrafficInd at SAAL establishment, then ceeBBCCResetInd

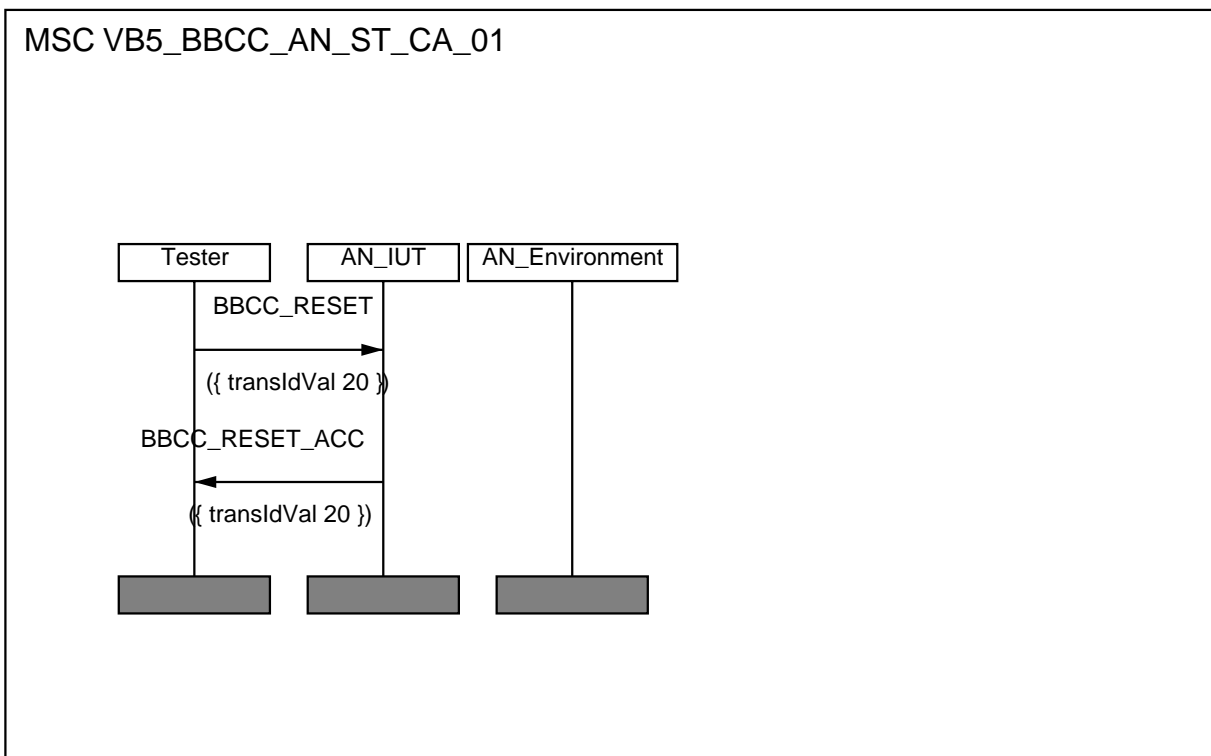


Figure 19

6.1.2 Connection Establishment procedure (CE)

6.1.2.1 Point to Point Connection Establishment procedure

Allocation.

VB5_BBCC_AN_CE_BV_01	Reference EN 301 217-1 [3]: 13.6.2.1.2
Purpose	Check allocation (simple reservation)
Test description	The tester issues an ALLOC PDU with mandatory parameters
Pass criteria	Check that the tester is receiving an ALLOC_ACC PDU within T_Alloc time
Selection	None
Preamble	P_AN_start
Postamble	None
Additional testing	ceeAllocInd is sent to AN environment

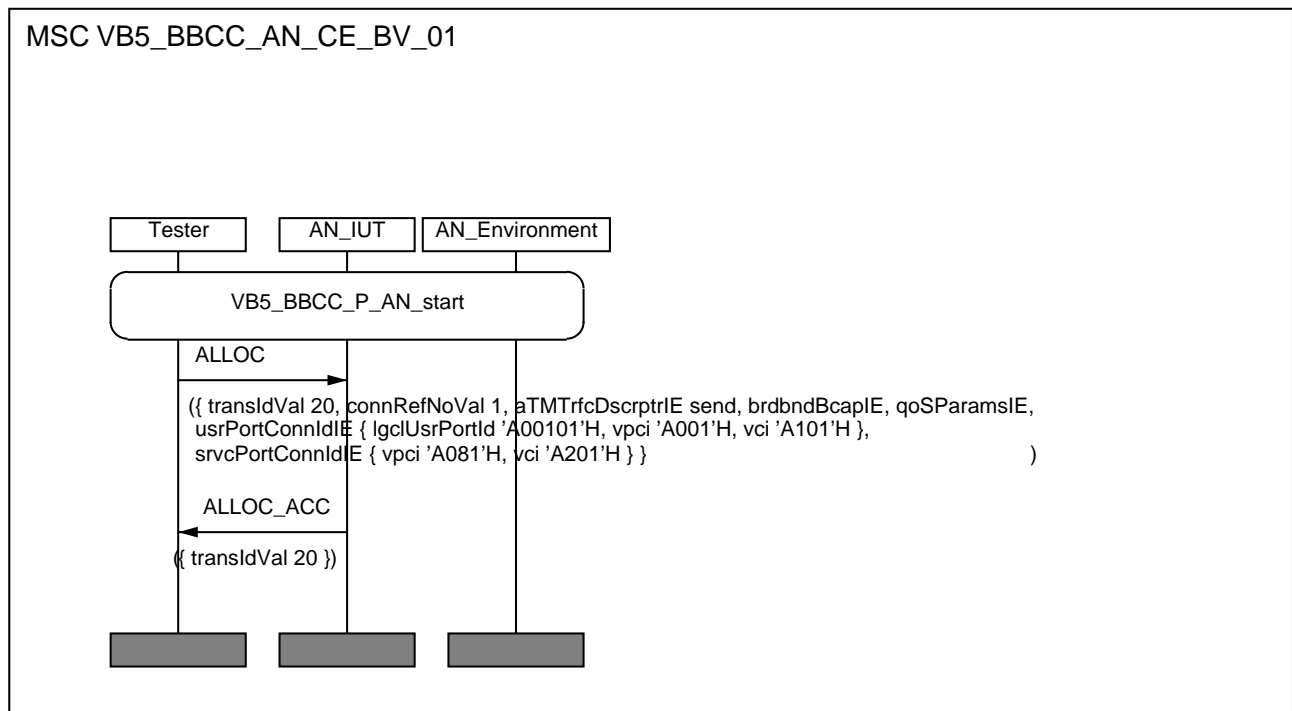


Figure 20

Based on preceding test purpose numbered VB5_BBCC_AN_CE_BV_01, which is using a set of basic mandatory parameters (see MSC for details), the following additional test purposes, based on variation of ALLOC PDU parameters, are defined:

B5_BBCC_AN_CE_BV_01a		Reference EN 301 217-1 [3]: 13.6.2.1.2
Purpose	Check allocation with ALLOC PDU using User port connection identifier defined with VPCI only, no VCI	
Selection	None	

VB5_BBCC_AN_CE_BV_01b		Reference EN 301 217-1 [3]: 13.6.2.1.2
Purpose	Check allocation with ALLOC PDU using Alternate User port VPCI 2	
Selection	None	

VB5_BBCC_AN_CE_BV_01c		Reference EN 301 217-1 [3]: 13.6.2.1.2
Purpose	Check allocation with ALLOC PDU using Alternate Service port VPCI 1	
Selection	None	

VB5_BBCC_AN_CE_BV_01d		Reference EN 301 217-1 [3]: 13.6.2.1.2
Purpose	Check allocation with ALLOC PDU using ABR setup parameter	
Selection	A.63/1: ABR support	

VB5_BBCC_AN_CE_BV_01e		Reference EN 301 217-1 [3]: 13.6.2.1.2
Purpose	Check allocation with ALLOC PDU using CDVT descriptor	
Selection	A.65/1: CDVT support	

VB5_BBCC_AN_CE_BV_01f		Reference EN 301 217-1 [3]: 13.6.2.1.2
Purpose	Check allocation with ALLOC PDU using End to end transit delay	
Selection	None	

VB5_BBCC_AN_CE_BV_01g		Reference EN 301 217-1 [3]: 13.6.2.1.2
Purpose	Check allocation with ALLOC PDU using Alternative ATM traffic descriptor	
Selection	A.54/11: Connection characteristic negotiation procedure during connection establishment AND A.66/1: Alternative ATM traffic descriptor	

VB5_BBCC_AN_CE_BV_01h		Reference EN 301 217-1 [3]: 13.6.2.1.2
Purpose	Check allocation with ALLOC PDU using Minimum acceptable ATM traffic descriptor	
Selection	A.54/11: Connection characteristic negotiation procedure during connection establishment AND A.67/1: Minimum acceptable ATM traffic descriptor	

VB5_BBCC_AN_CE_BV_01i		Reference EN 301 217-1 [3]: 13.6.2.1.2
Purpose	Check allocation with ALLOC PDU using OAM traffic descriptor	
Selection	None	

Allocation complete.

VB5_BBCC_AN_CE_BV_02		Reference EN 301 217-1 [3]: 13.6.2.1.2
Purpose	Check Allocation complete	
Test description	The tester issues an ALLOC PDU with mandatory parameters then receives an ALLOC_ACC PDU within T_Alloc time. The tester issues an ALLOC_COMP PDU with mandatory parameters	
Pass criteria	Check that the tester is receiving an ALLOC_COMP_ACC PDU within T_AllocComp time	
Selection	None	
Preamble	P_AN_start	
Postamble	None	
Additional testing	ceeAllocComplnd is sent to AN environment	

MSC VB5_BBCC_AN_CE_BV_02

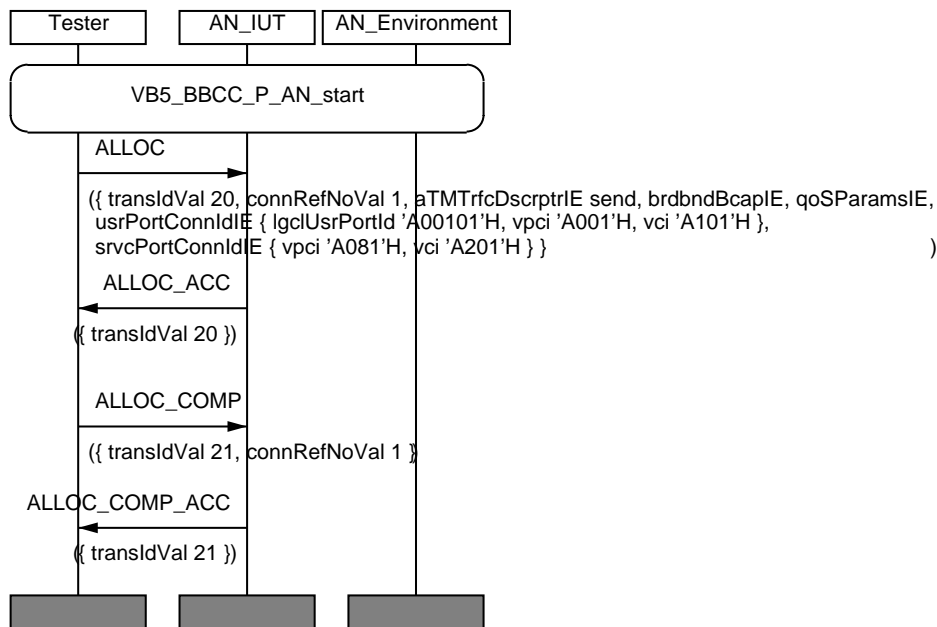


Figure 21

Exceptional procedure.

VB5_BBCC_AN_CE_BI_01	Reference EN 301 217-1 [3]: 13.6.2.1.3
Purpose	Check Allocation reject
Test description	The tester does an initial allocation. (It successively issues an ALLOC PDU with mandatory parameters then receives an ALLOC_ACC PDU within T_Alloc time. The tester issues an ALLOC_COMP PDU with mandatory parameters then receives an ALLOC_COMP_ACC PDU within T_AllocComp time). Then the tester issues a 2 nd ALLOC PDU with same connection reference number
Pass criteria	Check that the tester is receiving an ALLOC_REJ PDU within T_Alloc time, including RejCause = message not compatible with connection state
Selection	None
Preamble	P_AN_start
Postamble	None
Additional testing	

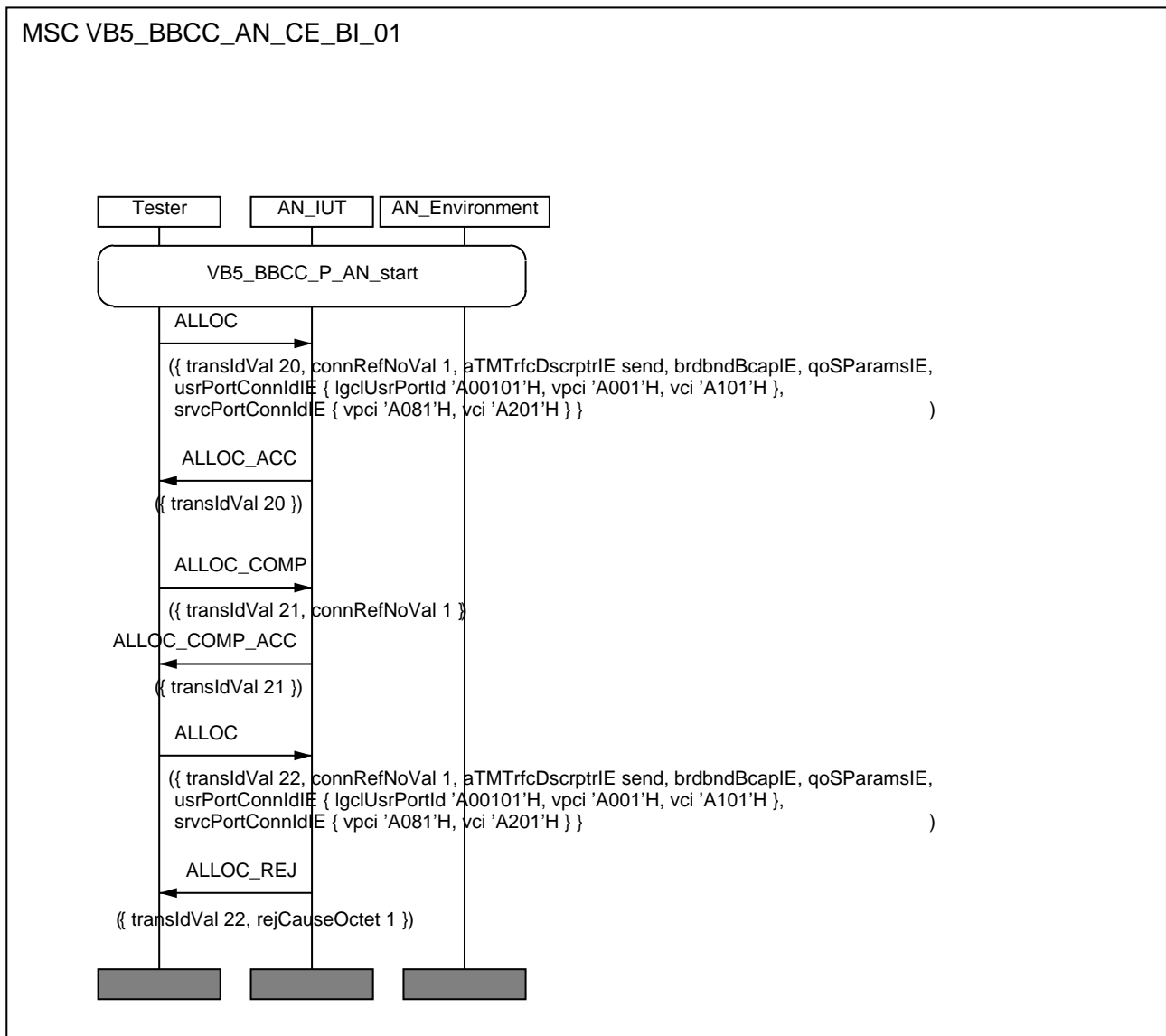


Figure 22

VB5_BBCC_AN_CE_BI_02	Reference EN 301 217-1 [3]: 13.6.2.1.2, 13.6.1.5.5
Purpose	Check Allocation Comp reject upon Connection Control Function decision
Test description	The tester does an initial allocation. To do so, it successively issues an ALLOC PDU with mandatory parameters then receives an ALLOC_ACC PDU within T_Alloc time. The tester issues an ALLOC_COMP PDU with mandatory parameters. The Connection Control Function rejects the request
Pass criteria	Check that the tester is receiving an ALLOC_COMP_REJ PDU within T_AllocComp time
Selection	PIX_ALLOC_COMP_REJ true
Preamble	P_AN_start
Postamble	None
Additional testing	

MSC VB5_BBCC_AN_CE_BI_02

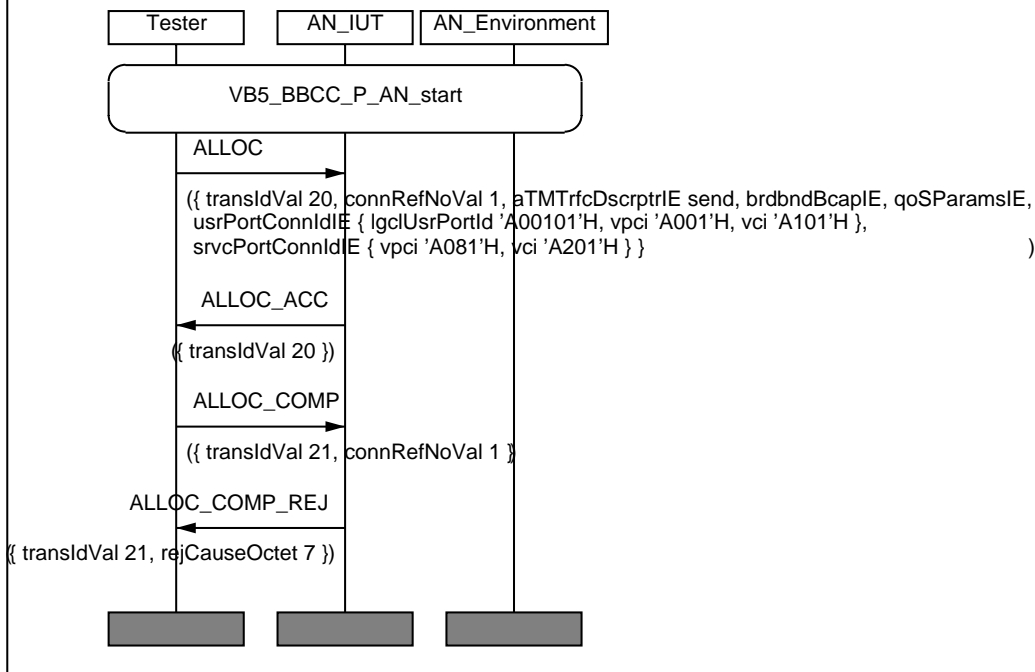


Figure 23

VB5_BBCC_AN_CE_BI_03	Reference EN 301 217-1 [3]: 13.6.1.5.4
Purpose	Check Allocation Comp reject when no previous ALLOC
Test description	The tester issues an ALLOC_COMP PDU with mandatory parameters, without previous allocation
Pass criteria	Check that the tester is receiving an ALLOC_COMP_REJ PDU within T_AllocComp time, including RejCause= message not compatible with connection state
Selection	None
Preamble	P_AN_start
Postamble	None
Additional testing	

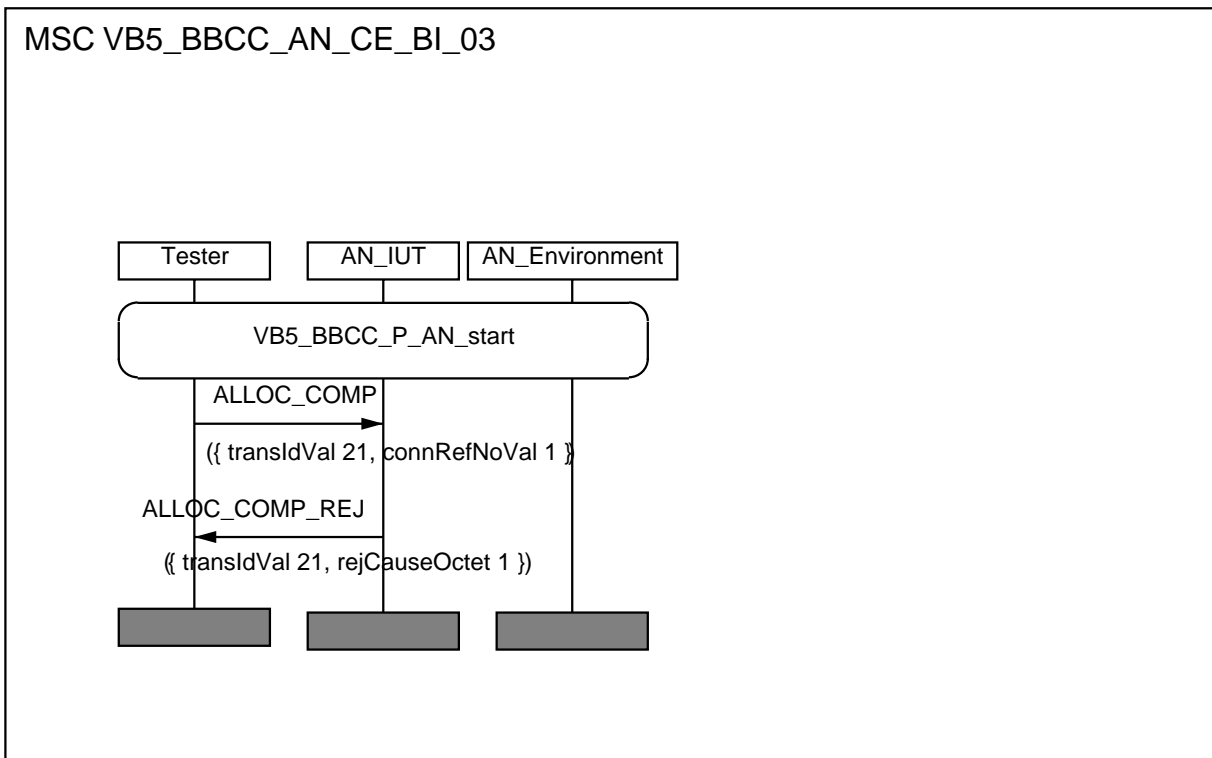


Figure 24

Test of timer T_ConnEst.

VB5_BBCC_AN_CE_TI_01	Reference EN 301 217-1 [3]: 13.6.2.1.3
Purpose	Check T_ConnEst
Test description	The tester issues an ALLOC PDU with mandatory parameters then receives an ALLOC_ACC PDU within T_Alloc time. The tester does not issue an ALLOC_COMP PDU within T_ConnEst time. Then the tester issues a 2 nd ALLOC PDU with same connection reference number
Pass criteria	Check that the tester is receiving an ALLOC_ACC PDU within T_Alloc time, meaning the first ALLOC was discarded after time out on T_ConnEst
Selection	None
Preamble	P_AN_start
Postamble	None
Additional testing	ceeDeallocInd for the first ALLOC is sent to AN environment

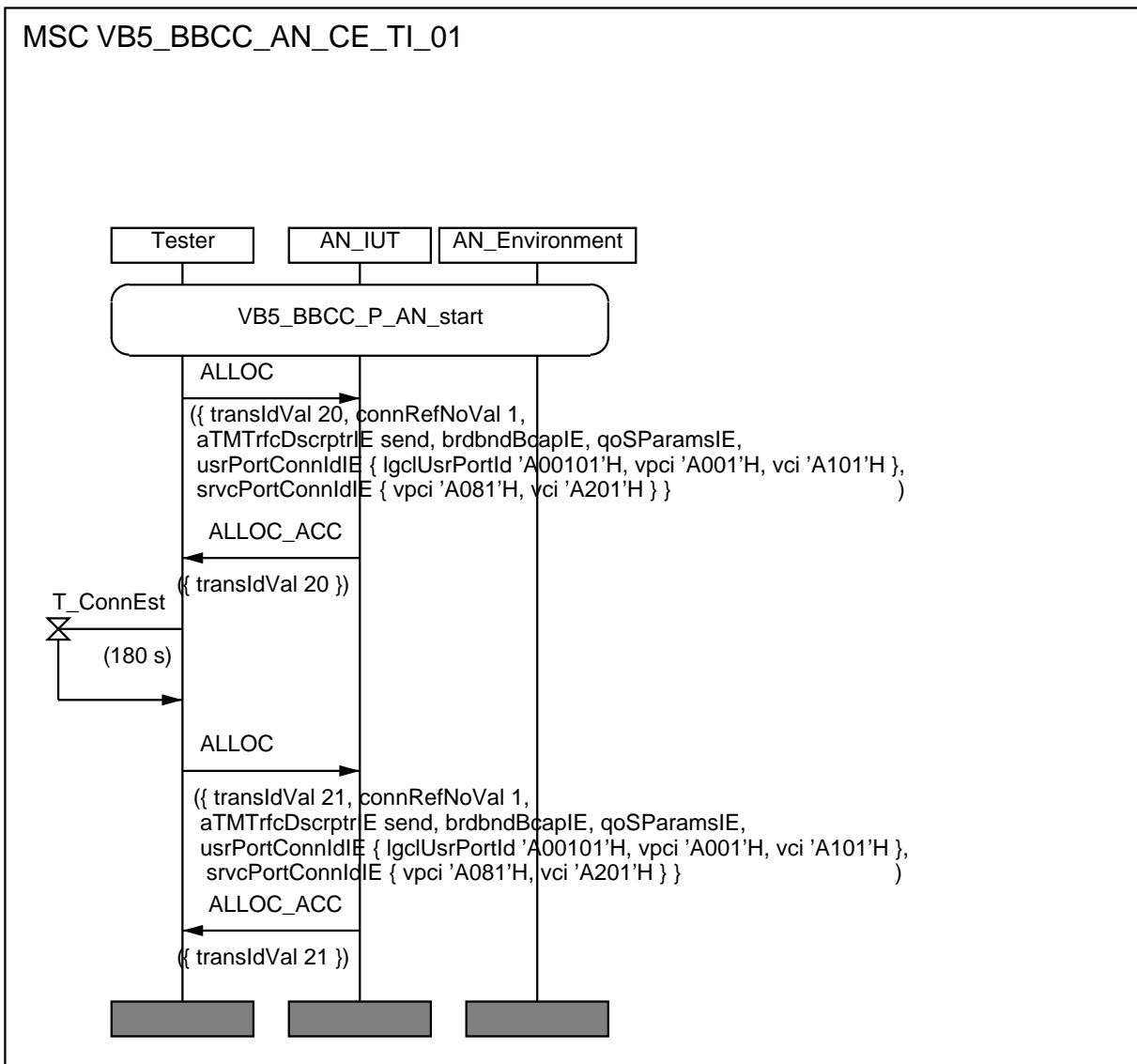


Figure 25

6.1.2.2 Point to Multipoint Connection Establishment procedure

Allocation.

VB5_BBCC_AN_CE_BV_11	Reference EN 301 217-1 [3]: 13.6.2.1.2
Purpose	Check allocation (simple reservation)
Test description	The tester issues an ALLOC PDU with mandatory parameters for PtM connection (addition of branch Id)
Pass criteria	Check that the tester is receiving an ALLOC_ACC PDU within T_Alloc time
Selection	A.54/5 AND A.54/6: multipoint connection
Preamble	P_AN_start
Postamble	None
Additional testing	ceeAllocInd is sent to AN environment

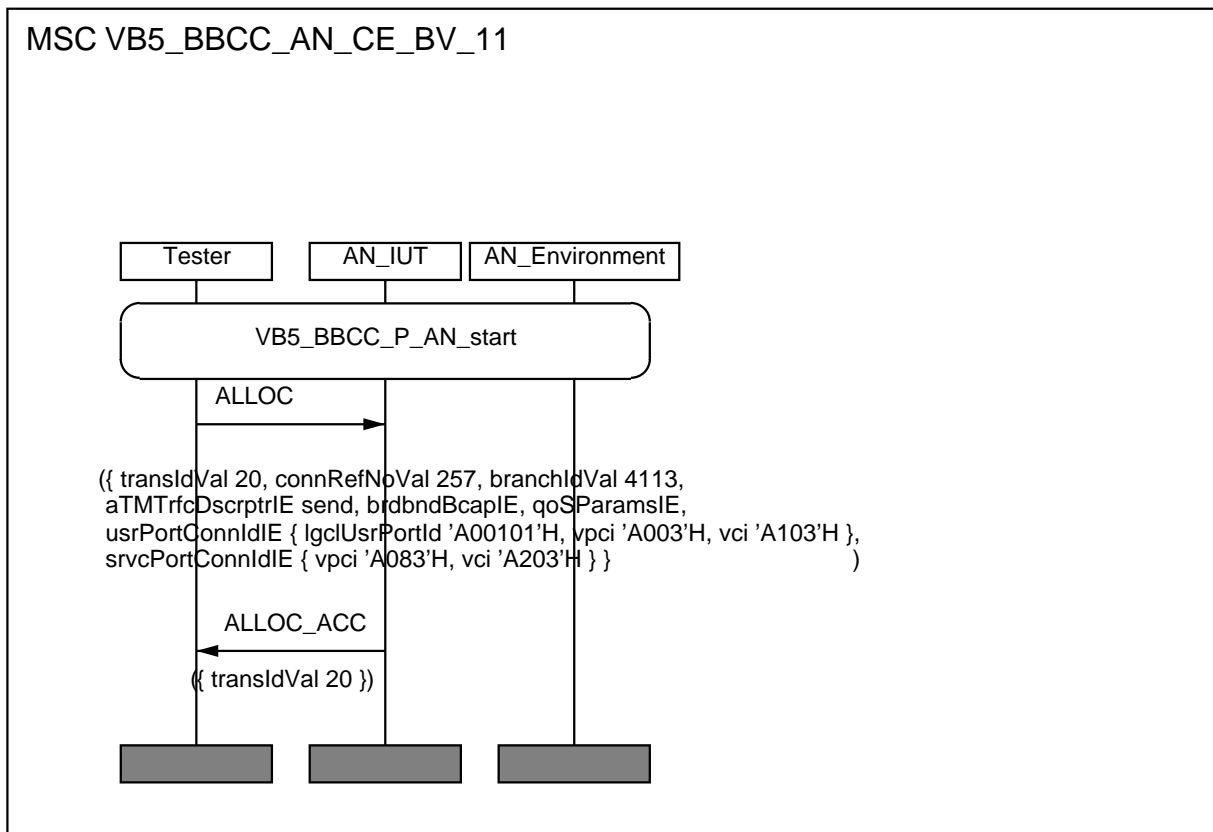


Figure 26

Allocation complete.

VB5_BBCC_AN_CE_BV_12		Reference EN 301 217-1 [3]: 13.6.2.1.2
Purpose	Check Allocation complete	
Test description	The tester issues an ALLOC PDU with mandatory parameters for PtM connection then receives an ALLOC_ACC PDU within T_Alloc time. The tester issues an ALLOC_COMP PDU with mandatory parameters	
Pass criteria	Check that the tester is receiving an ALLOC_COMP_ACC PDU within T_AllocComp time	
Selection	A.54/5 AND A.54/6: multipoint connection	
Preamble	P_AN_start	
Postamble	None	
Additional testing	ceeAllocComplnd is sent to AN environment	

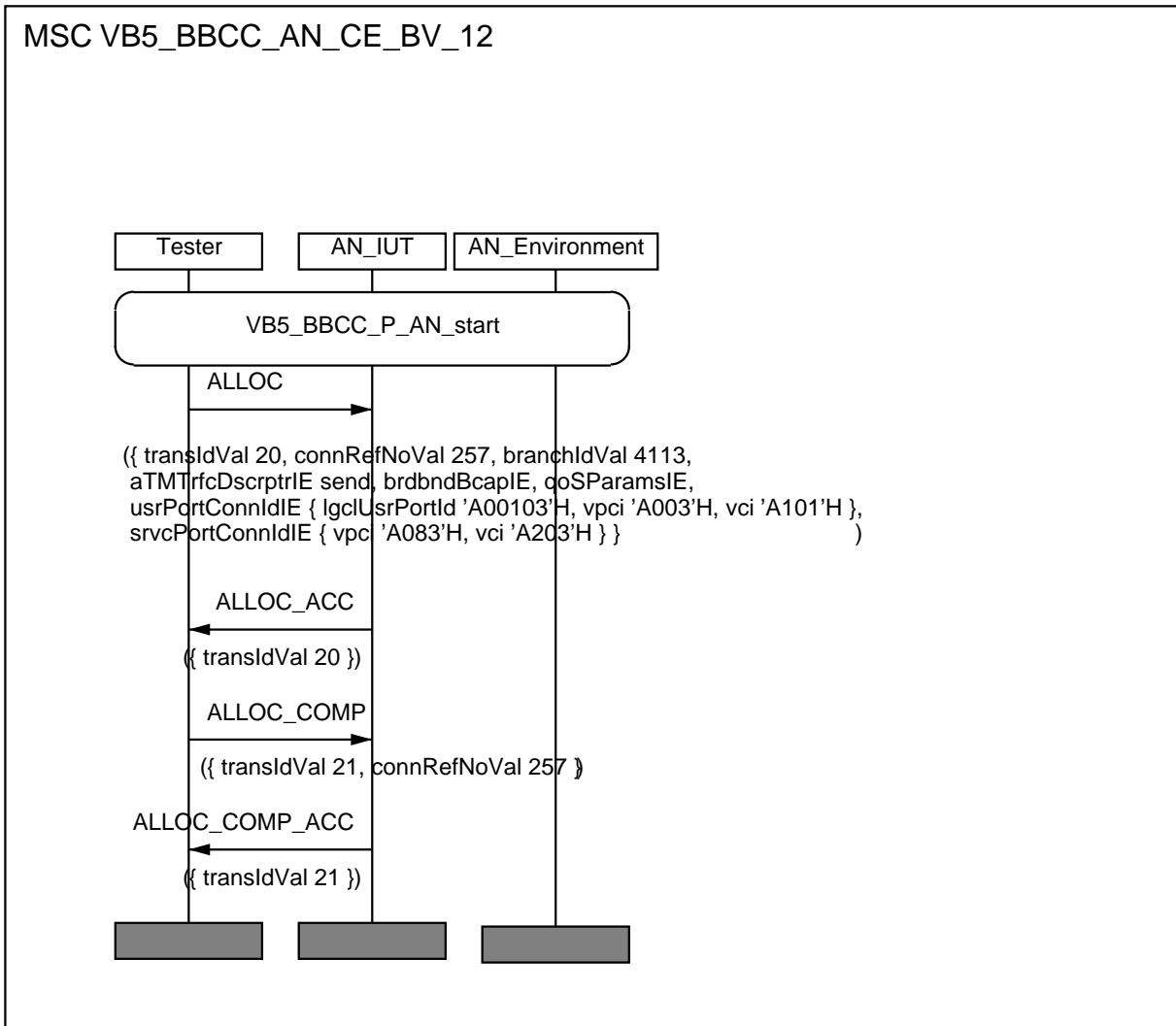


Figure 27

6.1.3 Connection Release procedure (CR)

6.1.3.1 Single Connection Release procedure

VB5_BBCC_AN_CR_BV_01	Reference EN 301 217-1 [3]: 13.6.2.2.2
Purpose	Check Release of a single PtP Connection
Test description	The tester issues a DEALLOC PDU with mandatory parameters for an allocated PtP connection (Connection Ref Numb List, one ref)
Pass criteria	Check that the tester is receiving a DEALLOC_ACC PDU within T_Dealloc time
Selection	None
Preamble	P_AN_1ptp
Postamble	None
Additional testing	ceeDeallocInd with connection reference number is sent to AN environment

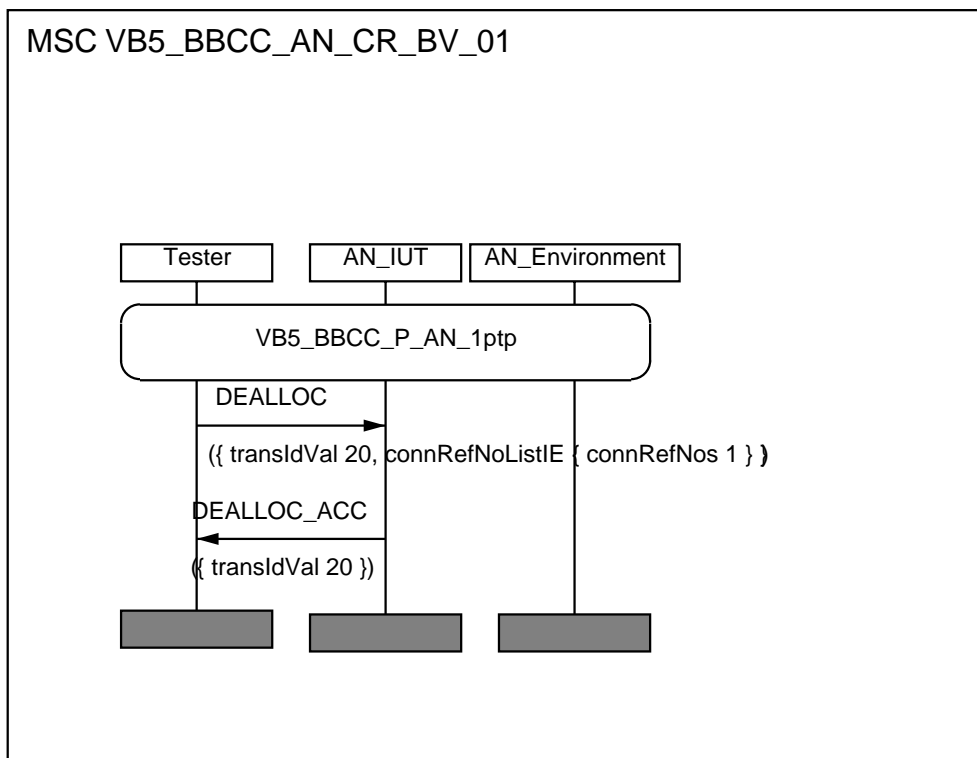


Figure 28

VB5_BBCC_AN_CR_BV_02	Reference EN 301 217-1 [3]: 13.6.2.2.2
Purpose	Check Release of a single PtM Connection
Test description	The tester issues a DEALLOC PDU with mandatory parameters for an allocated PtM connection (Connection Ref Numb List, one ref)
Pass criteria	Check that the tester is receiving a DEALLOC_ACC PDU within T_Dealloc time
Selection	A.54/5 AND A.54/6: multipoint connection
Preamble	P_AN_1ptm
Postamble	None
Additional testing	ceeDeallocInd with connection reference number is sent to AN environment

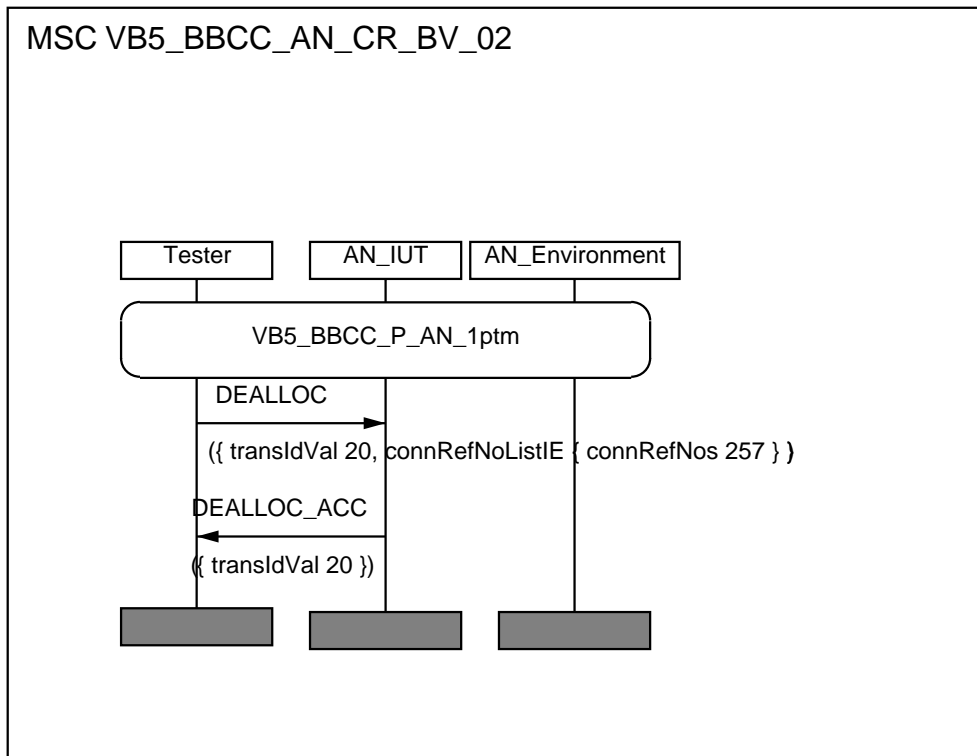


Figure 29

VB5_BBCC_AN_CR_BV_03	Reference EN 301 217-1 [3]: 13.5.12
Purpose	Check Congestion control during Release of a single PtP Connection
Test description	The tester issues a DEALLOC PDU with mandatory parameters for an allocated PtP connection
Pass criteria	Check that the tester is receiving a DEALLOC_ACC PDU within T_Dealloc time, including congestion parameter
Selection	A.54/9: Automatic Congestion Control AND PIX_simulate_congestion
Preamble	P_AN_1ptp
Postamble	None
Additional testing	ceeDeallocInd with connection reference number is sent to AN environment

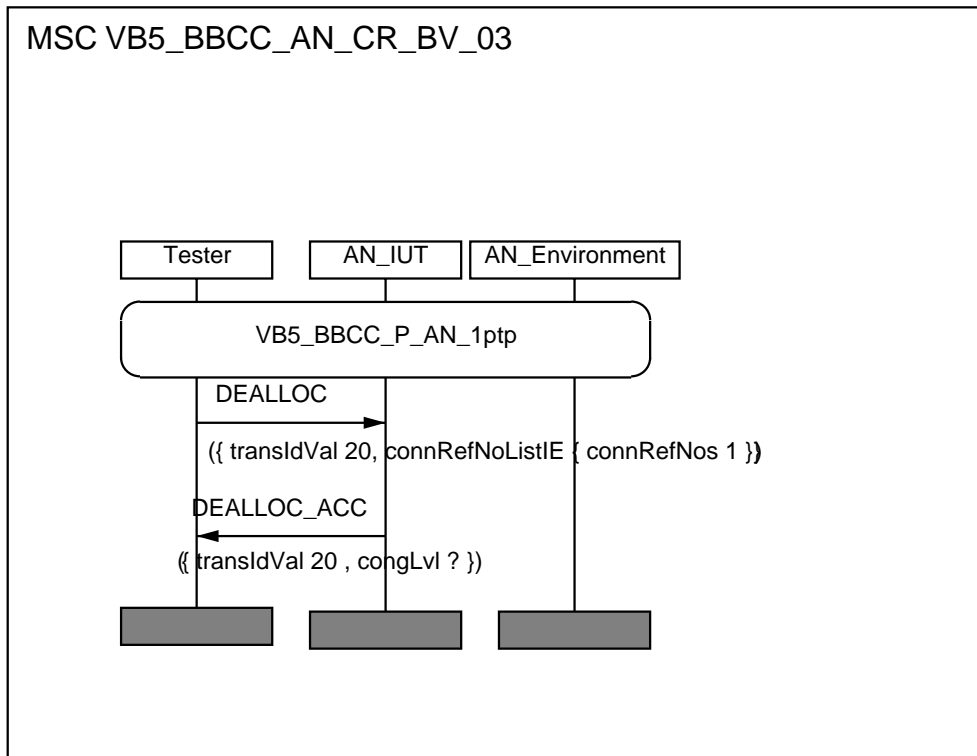


Figure 30

Exceptional procedure.

VB5_BBCC_AN_CR_BI_01	Reference EN 301 217-1 [3]: 13.6.2.2.3
Purpose	Check Release of a non allocated PtP connection
Test description	The tester issues a DEALLOC PDU with mandatory parameters (Connection Ref Numb List, one ref) for a NON allocated PtP connection
Pass criteria	Check that the tester is receiving a DEALLOC_ACC PDU within T_Dealloc time
Selection	None
Preamble	P_AN_start
Postamble	None
Additional testing	ceeDeallocInd without connection reference number is sent to AN environment

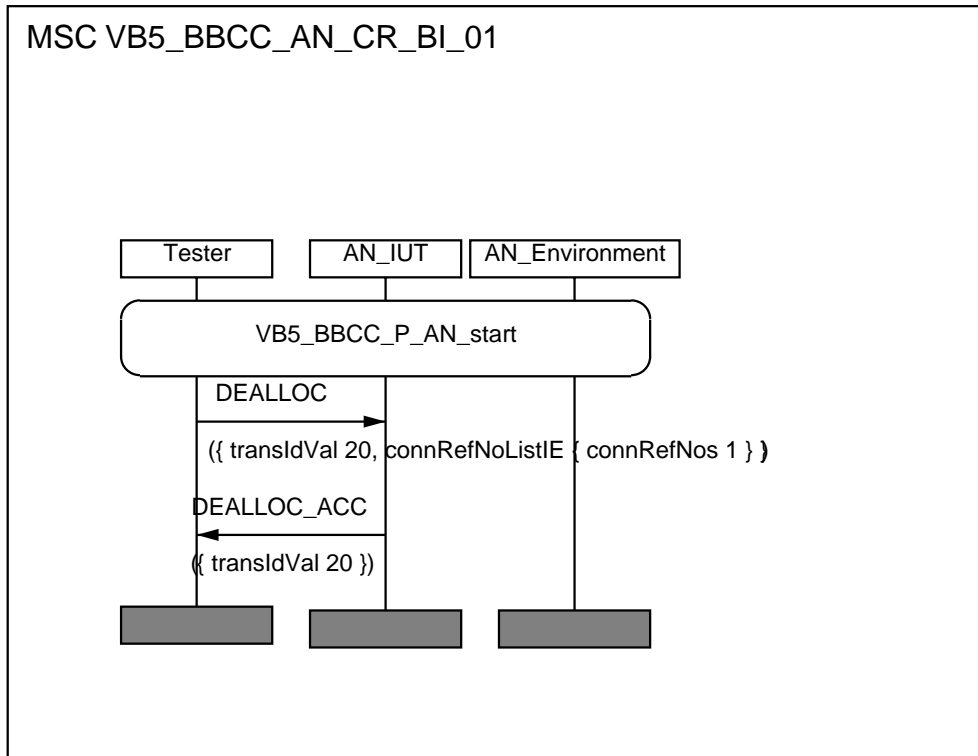


Figure 31

6.1.3.2 Multiple Connections Release procedure

VB5_BBCC_AN_CR_BV_11	Reference EN 301 217-1 [3]: 13.6.2.2.2
Purpose	Check Release of a set of 2 PtP Connections
Test description	The tester issues a DEALLOC PDU with mandatory parameters for a set of allocated PtP connections (Connection Ref Numb List, several ref)
Pass criteria	Check that the tester is receiving a DEALLOC_ACC PDU within T_Dealloc time
Selection	None
Preamble	P_AN_2ptp
Postamble	None
Additional testing	ceeDeallocInd containing all connection reference numbers is sent to AN environment

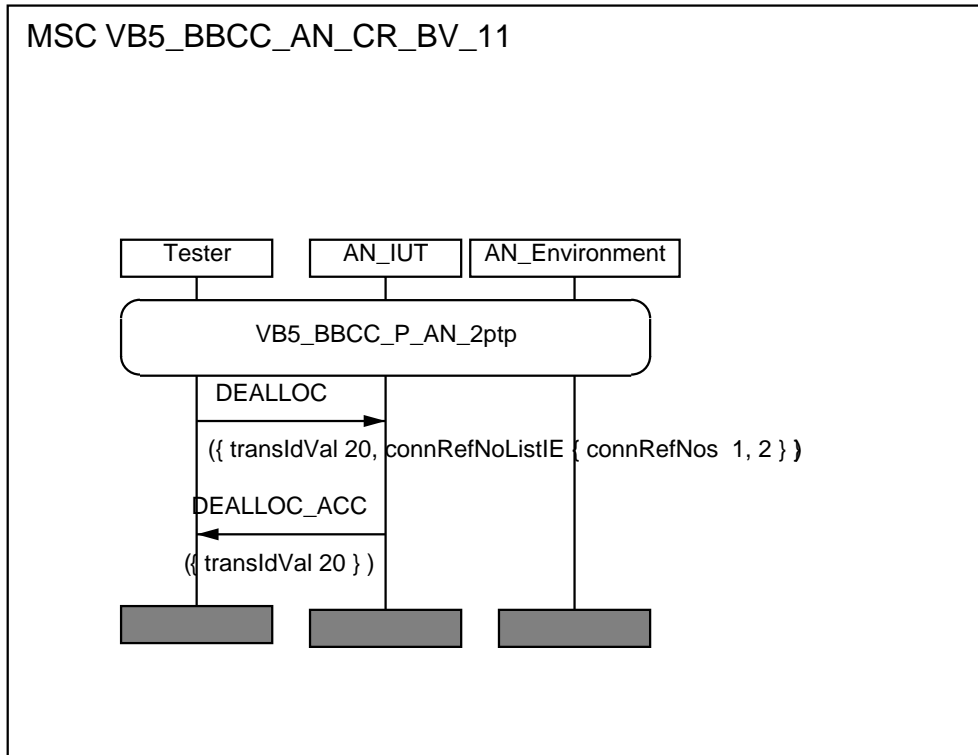


Figure 32

VB5_BBCC_AN_CR_BV_12	Reference EN 301 217-1 [3]: 13.6.2.2.2
Purpose	Check Release of a set of PtP and PtM Connections
Test description	The tester issues a DEALLOC PDU with mandatory parameters for a set of allocated PtP and PtM connections (Connection Ref Numb List, several ref)
Pass criteria	Check that the tester is receiving a DEALLOC_ACC PDU within T_Dealloc time
Selection	A.54/5 AND A.54/6: multipoint connection
Preamble	P_AN_1ptp1ptm
Postamble	None
Additional testing	ceeDeallocInd containing all connection reference numbers is sent to AN environment

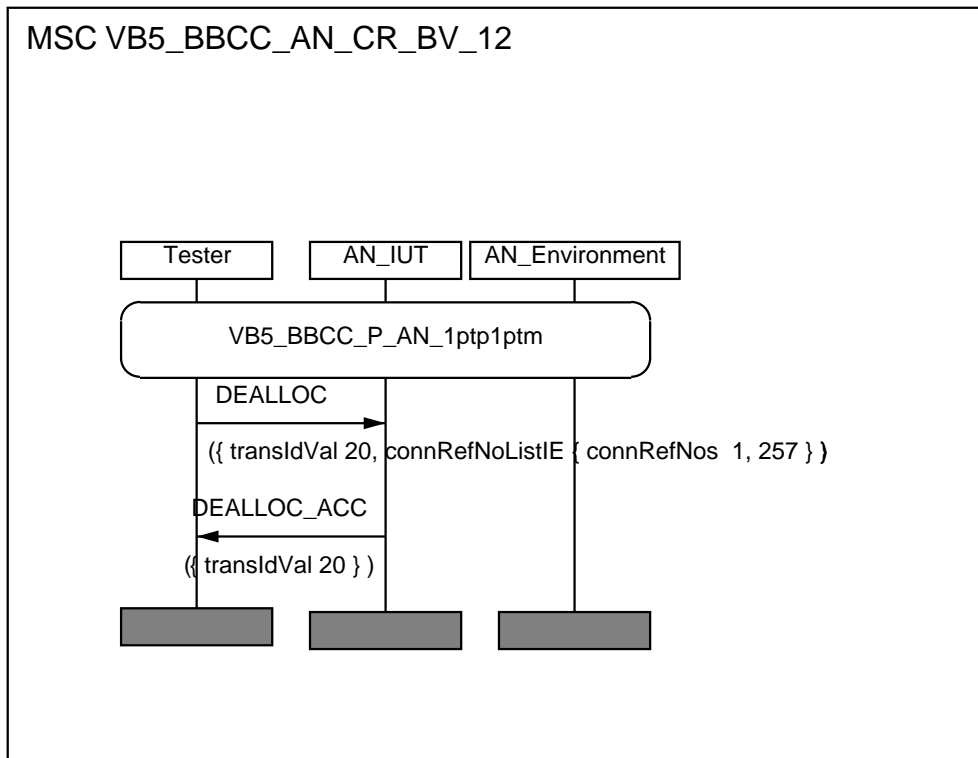


Figure 33

VB5_BBCC_AN_CR_BV_13	Reference EN 301 217-1 [3]: 13.6.2.2.2
Purpose	Check Release of a set of PtM Connections
Test description	The tester issues a DEALLOC PDU with mandatory parameters for a set of allocated PtM connections (Connection Ref Numb List, several ref)
Pass criteria	Check that the tester is receiving a DEALLOC_ACC PDU within T_Dealloc time
Selection	A.54/5 AND A.54/6: multipoint connection
Preamble	P_AN_2ptm
Postamble	None
Additional testing	ceeDeallocInd containing all connection reference numbers is sent to AN environment

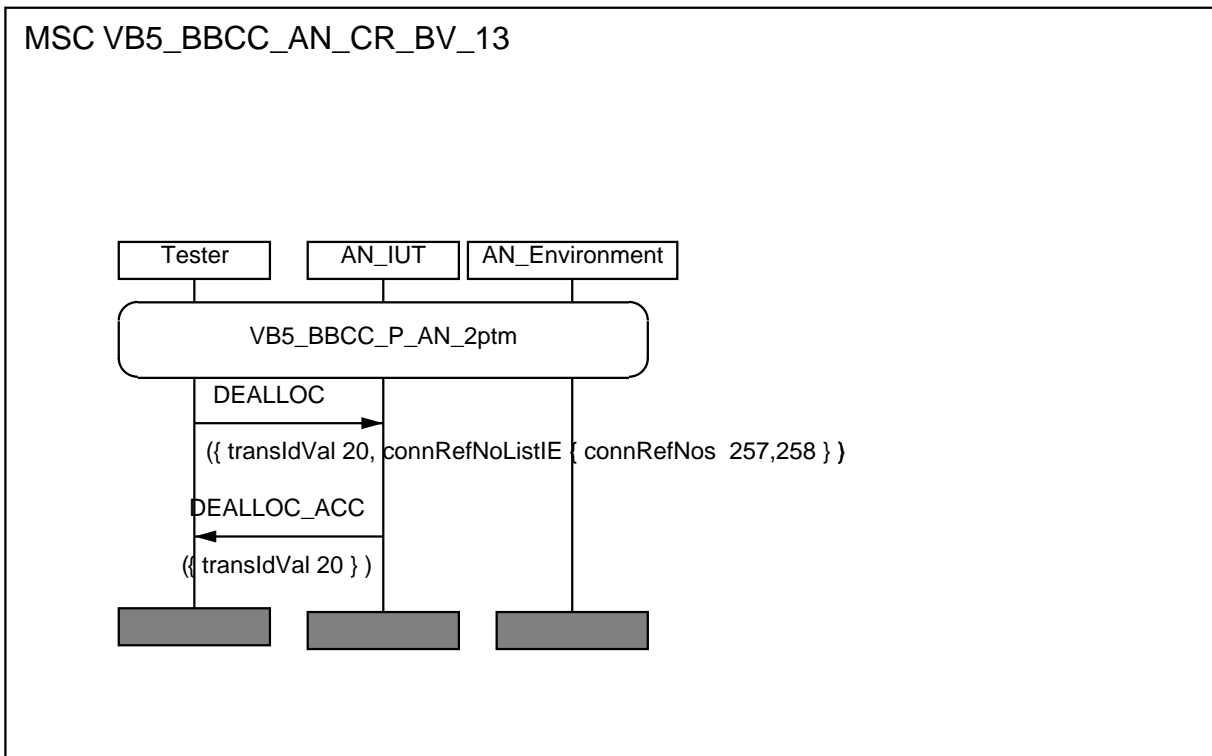


Figure 34

Exceptional procedure.

VB5_BBCC_AN_CR_BI_11		Reference EN 301 217-1 [3]: 13.6.2.2.3
Purpose	Check Release of a set of PtP connections which includes a non allocated connection	
Test description	The tester issues a DEALLOC PDU with mandatory parameters (Connection Ref Numb List, several ref) for a set of PtP connections which includes a non allocated connection	
Pass criteria	Check that the tester is receiving a DEALLOC_ACC PDU within T_Dealloc time	
Selection	None	
Preamble	P_AN_1ptp	
Postamble	None	
Additional testing	ceeDeallocInd without connection reference number for the non-allocated one is sent to AN environment	

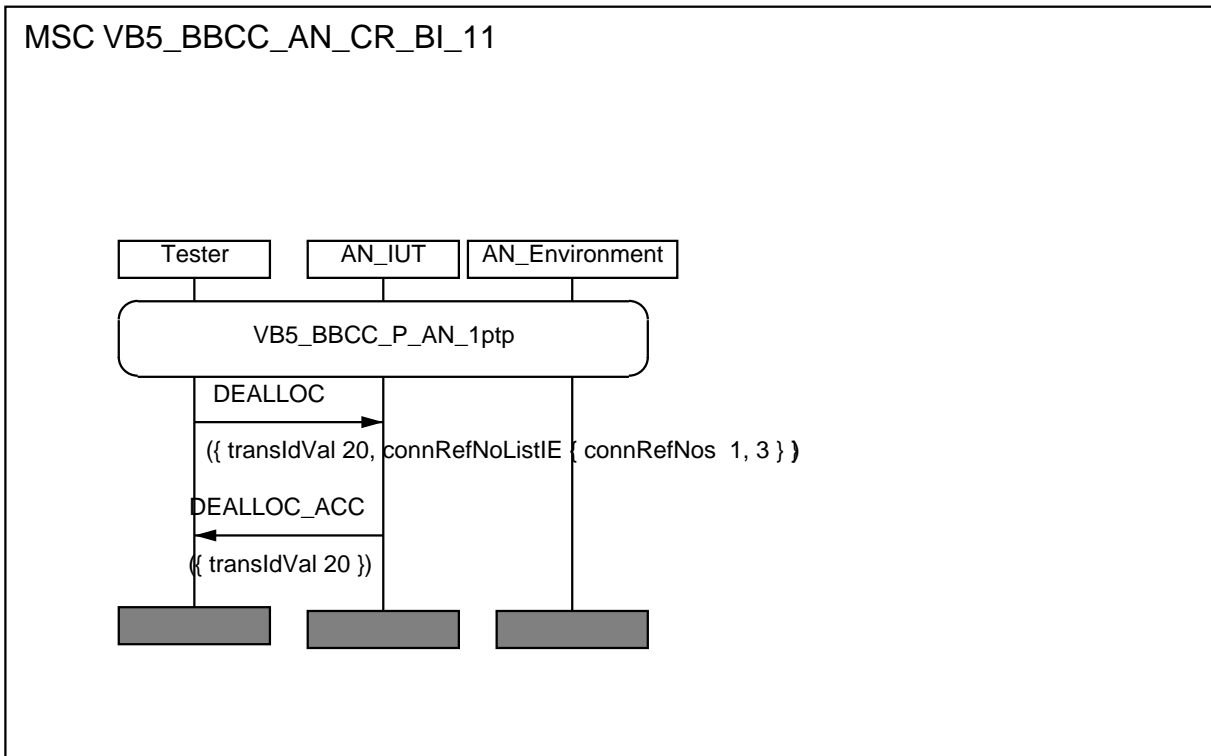


Figure 35

VB5_BBCC_AN_CR_BI_12	Reference EN 301 217-1 [3]: 13.6.2.2.3
Purpose	Check Release of a set of PtM connections which includes a non allocated connection
Test description	The tester issues a DEALLOC PDU with mandatory parameters (Connection Ref Numb List, several ref) for a set of PtM connections which includes a non allocated connection
Pass criteria	Check that the tester is receiving a DEALLOC_ACC PDU within T_Dealloc time
Selection	None
Preamble	P_AN_1ptm
Postamble	None
Additional testing	ceeDeallocInd without connection reference number for the non-allocated one is sent to AN environment

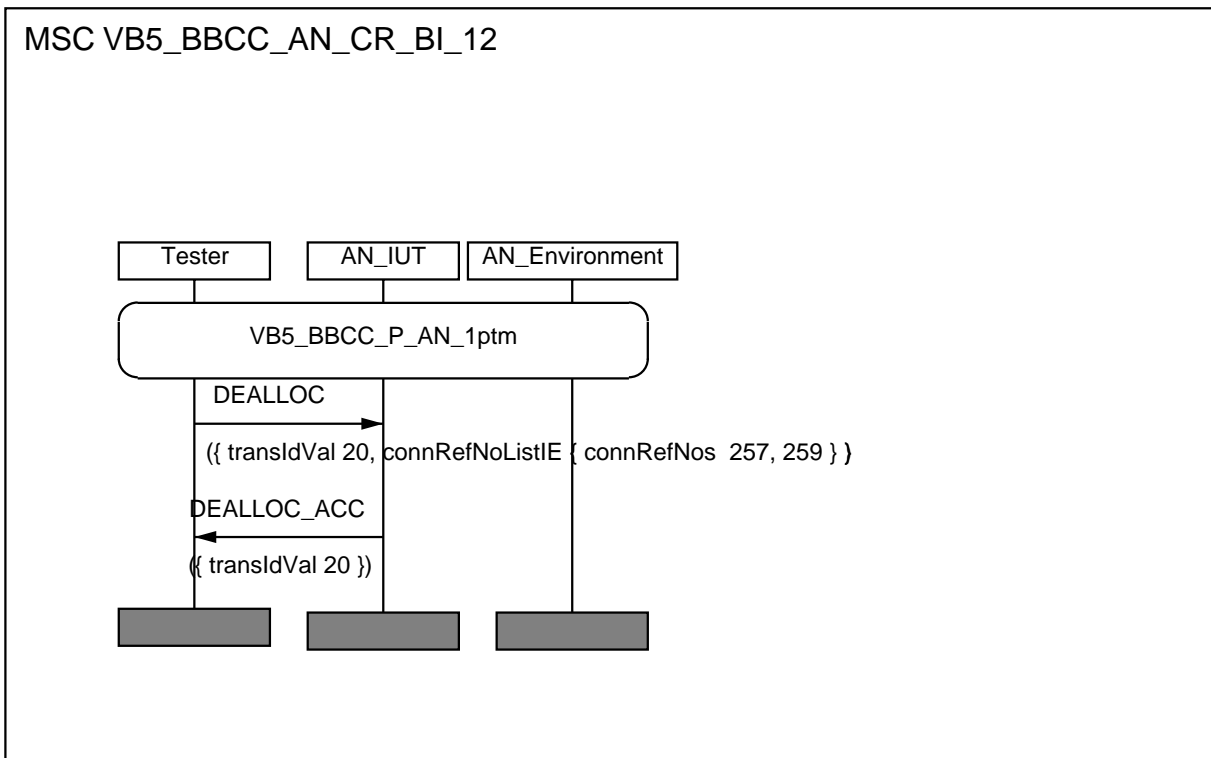


Figure 36

6.1.4 Connection modification procedure (CM)

Point to point configuration only.

6.1.4.1 Modification (first step) procedure

VB5_BBCC_AN_CM_BV_01	Reference EN 301 217-1 [3]: 13.6.2.3
Purpose	Check modification: first step
Test description	The tester issues a MODIFY PDU with mandatory parameters
Pass criteria	Check that the tester is receiving a MODIFY_ACC PDU within T_Modify time
Selection	A.54/4: Bearer connection modification procedure
Preamble	P_AN_1ptp
Postamble	None
Additional testing	ceeModifyInd is sent to AN environment

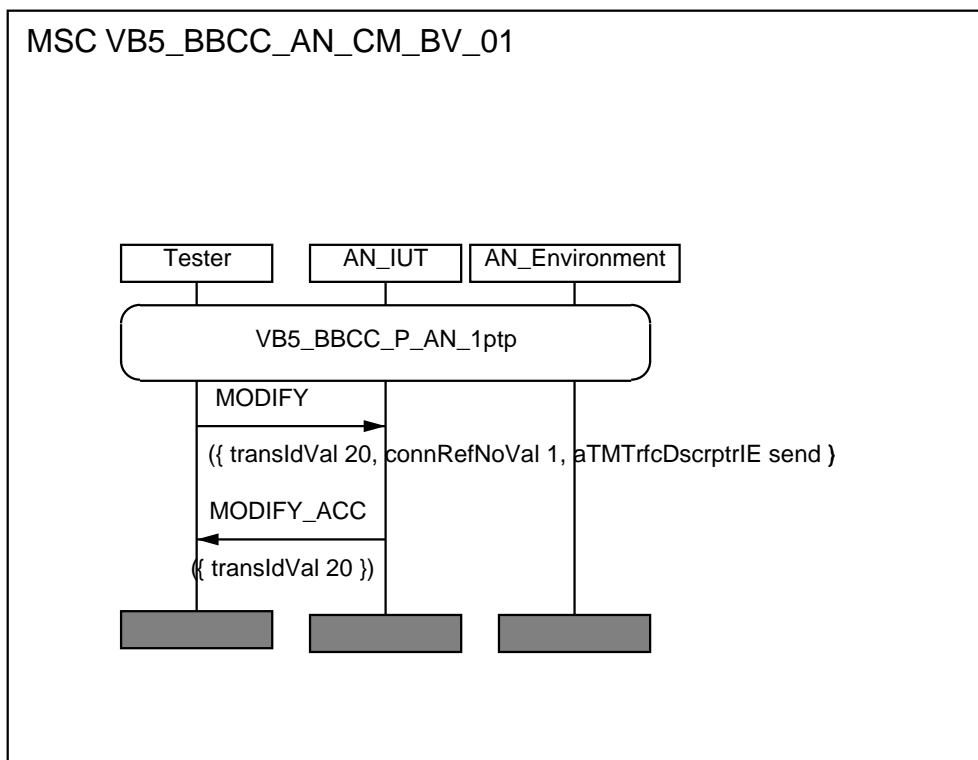


Figure 37

6.1.4.2 Modification Complete procedure

VB5_BBCC_AN_CM_BV_02	Reference EN 301 217-1 [3]: 13.6.2.3
Purpose	Check modification complete
Test description	The tester issues a MODIFY PDU with mandatory parameters then receives a MODIFY_ACC PDU within T_Modify time. The tester issues a MODIFY_COMP PDU with mandatory parameters
Pass criteria	Check that the tester is receiving a MODIFY_COMP_ACC PDU within T_ModifyComp time
Selection	A.54/4: Bearer connection modification procedure
Preamble	P_AN_1ptp
Postamble	None
Additional testing	ceeModifyComplnd is sent to AN environment

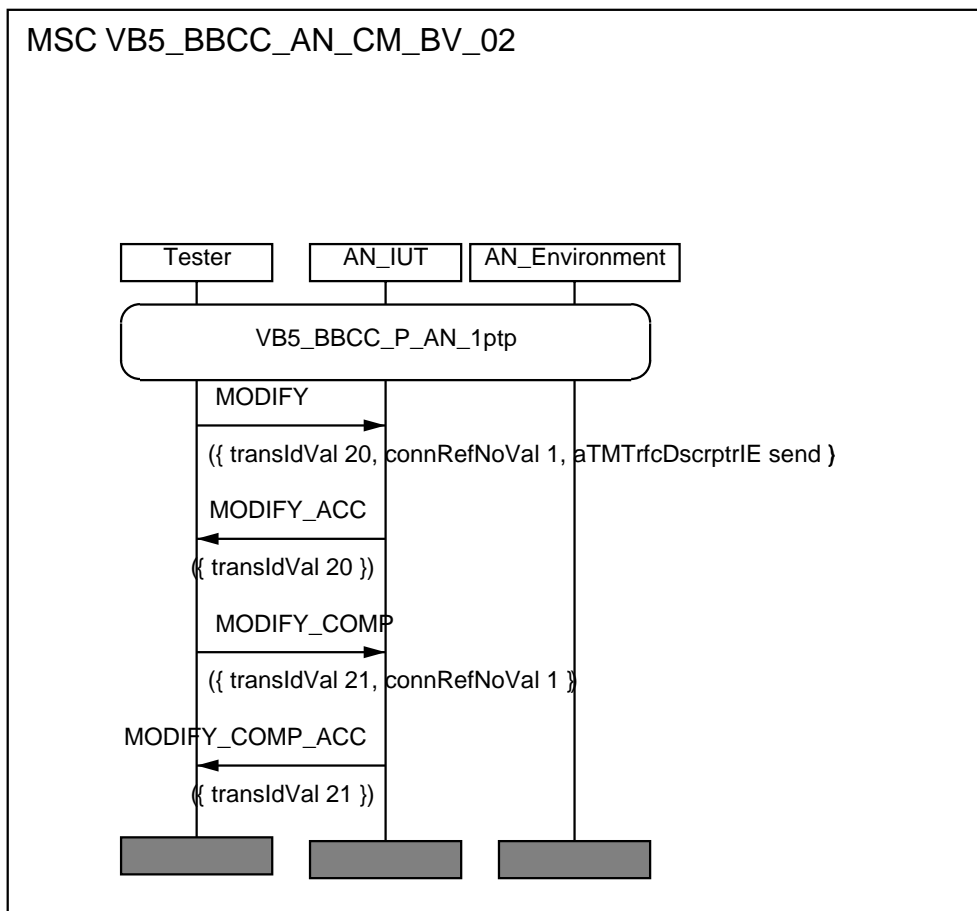


Figure 38

VB5_BBCC_AN_CM_BV_03	Reference EN 301 217-1 [3]: 13.6.2.3
Purpose	Check modification complete using optional IE
Test description	The tester issues a MODIFY PDU with mandatory and optional parameters then receives a MODIFY_ACC PDU within T_Modify time. The tester issues a MODIFY_COMP PDU with mandatory and optional parameters
Pass criteria	Check that the tester is receiving a MODIFY_COMP_ACC PDU within T_ModifyComp time
Selection	A.54/4: Bearer connection modification procedure AND A.54/12: ATM traffic descriptor modification with negotiation procedure
Preamble	P_AN_1ptp
Postamble	None
Additional testing	ceeModifyComplnd is sent to AN environment

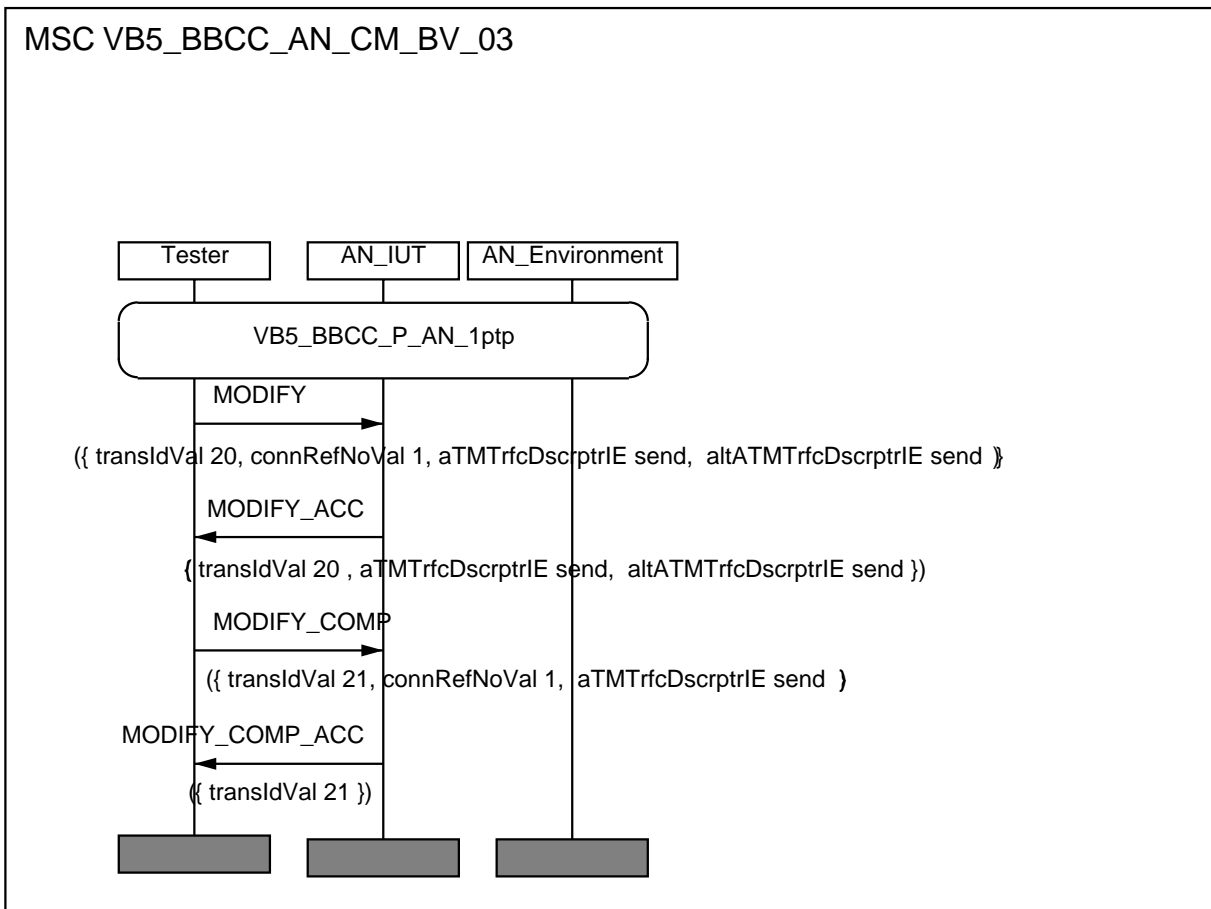


Figure 39

6.1.4.3 Modification Abort procedure

VB5_BBCC_AN_CM_BV_04		Reference EN 301 217-1 [3]: 13.6.2.3
Purpose	Check modification abort	
Test description	The tester issues a MODIFY PDU with mandatory parameters then receives a MODIFY_ACC PDU within T_Modify time. The tester issues a MODIFY_ABORT PDU with mandatory parameters	
Pass criteria	Check that the tester is receiving a MODIFY_ABORT_ACC PDU within T_ModifyAbort time	
Selection	A.54/4: Bearer connection modification procedure	
Preamble	P_AN_1ptp	
Postamble	None	
Additional testing	ceeModifyAbortInd is sent to AN environment	

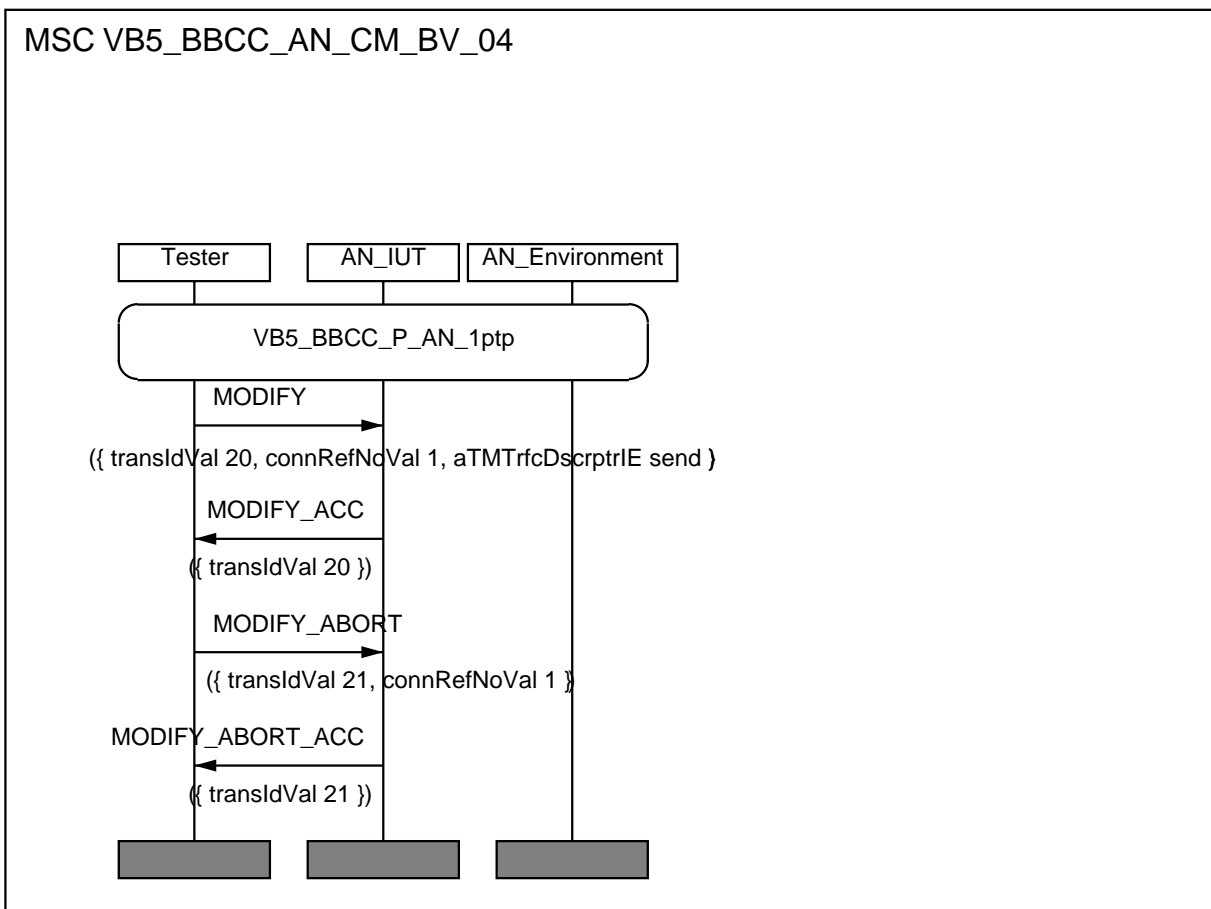


Figure 40

6.1.4.4 Modification exceptional procedure

VB5_BBCC_AN_CM_BI_01		Reference EN 301 217-1 [3]: 13.6.2.3.3, 13.6.1.5.4
Purpose	Check modification reject when no connection established	
Test description	The tester issues a MODIFY PDU with mandatory parameters, while no connection is setup	
Pass criteria	Check that the tester is receiving a MODIFY_REJ PDU within T_Modify time, including error cause "message not compatible with connection state"	
Selection	A.54/4: Bearer connection modification procedure	
Preamble	P_AN_start	
Postamble	None	
Additional testing	Reset or Dealloc will restore connection reference	

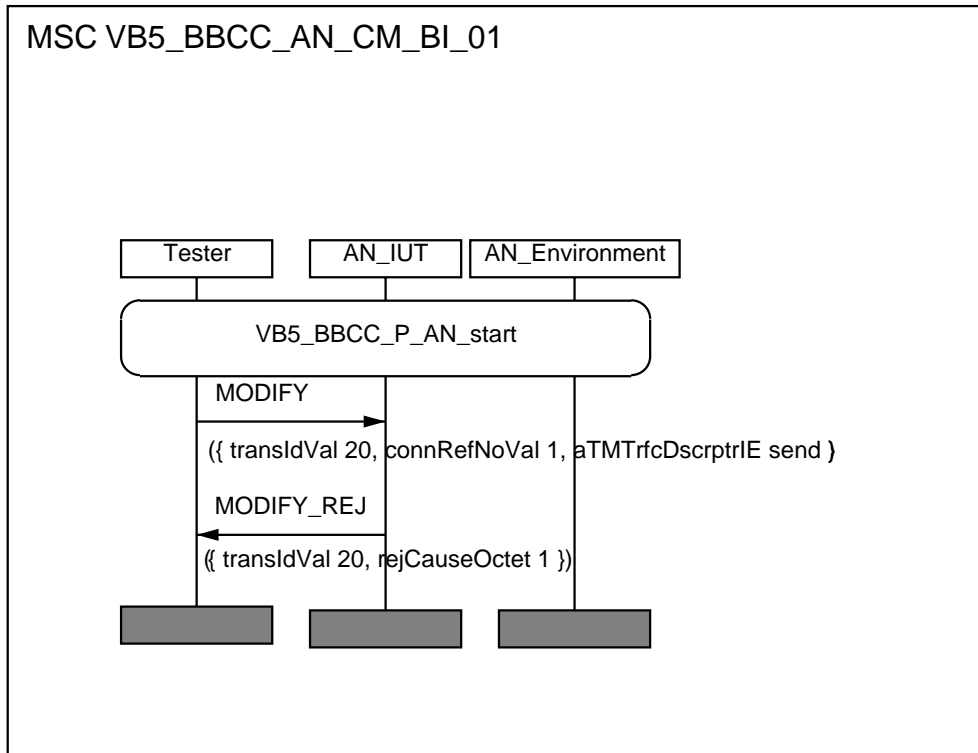


Figure 41

VB5_BBCC_AN_CM_BI_02	Reference EN 301 217-1 [3]: 13.6.2.3.3, 13.6.1.5.4
Purpose	Check modification comp reject when no initial modify sent
Test description	The tester issues a MODIFY_COMP PDU with mandatory parameters, while connection is setup, but no initial MODIFY sent
Pass criteria	Check that the tester is receiving a MODIFY_COMP_REJ PDU within T_ModifyComp time, including error cause "message not compatible with connection state"
Selection	A.54/4: Bearer connection modification procedure
Preamble	P_AN_1ptp
Postamble	None
Additional testing	Reset or Dealloc will restore connection reference

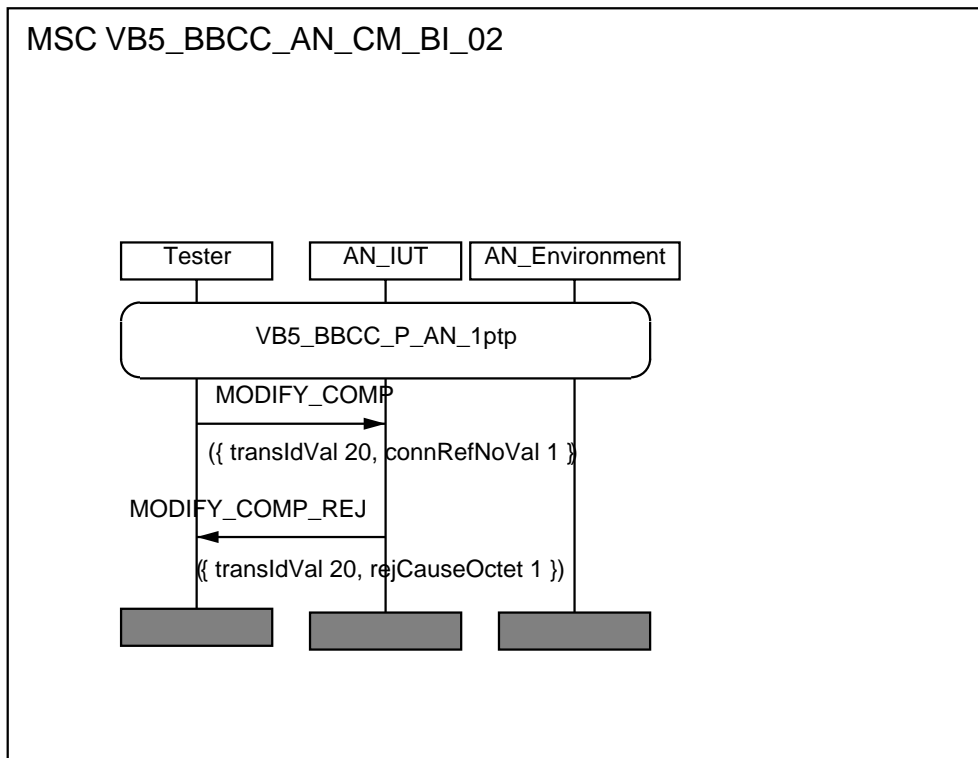


Figure 42

VB5_BBCC_AN_CM_BI_03	Reference EN 301 217-1 [3]: 13.6.2.3.3
Purpose	Check modification reject when modification addresses a PtM connection
Test description	The tester issues a MODIFY PDU with mandatory parameters addressing a PtM connection
Pass criteria	Check that the tester is receiving a MODIFY_REJ PDU within T_Modify time, including error cause "message not compatible with connection state"
Selection	A.54/4: Bearer connection modification procedure AND (A.54/5 AND A.54/6: multipoint connection)
Preamble	P_AN_1ptm
Postamble	None
Additional testing	Reset or Dealloc will restore connection reference

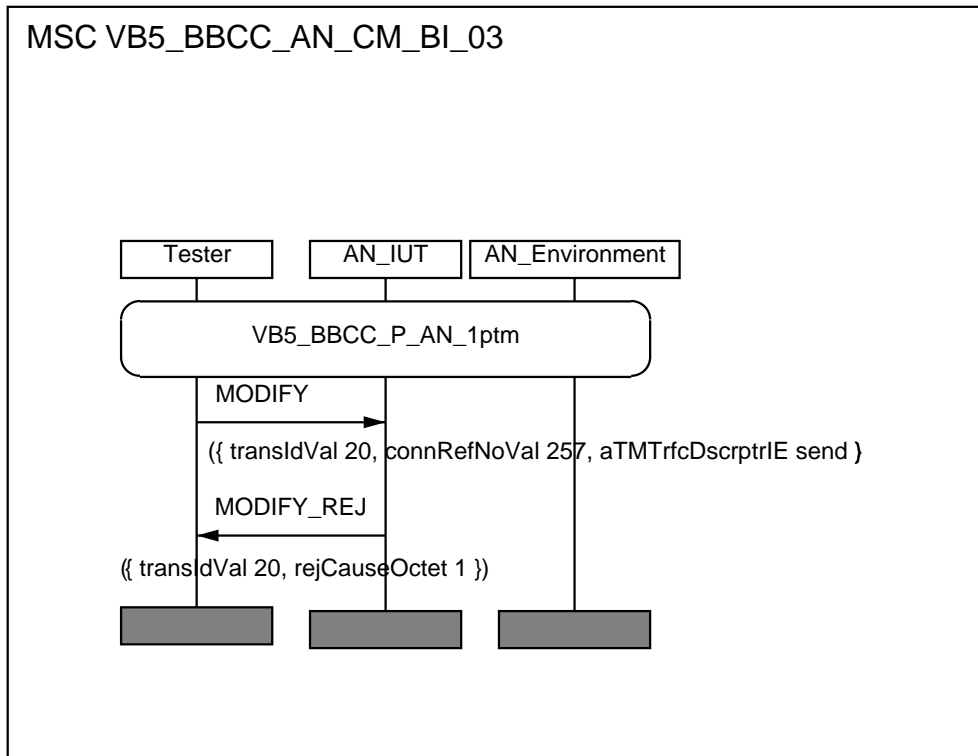


Figure 43

VB5_BBCC_AN_CM_BI_04	Reference EN 301 217-1 [3]: 13.6.2.3.2, 13.6.1.5.5
Purpose	Check modification comp reject upon Connection Control Function decision
Test description	The tester issues a MODIFY PDU with mandatory parameters then receives a MODIFY_ACC PDU within T_Modify time. The tester issues a MODIFY_COMP PDU with mandatory parameters. The Connection Control Function rejects the request
Pass criteria	Check that the tester is receiving a MODIFY_COMP_REJ PDU within T_ModifyComp time
Selection	A.54/4: Bearer connection modification procedure AND PIX_MODIFY_COMP_REJ true
Preamble	P_AN_1ptp
Postamble	None
Additional testing	Reset or Dealloc will restore connection reference

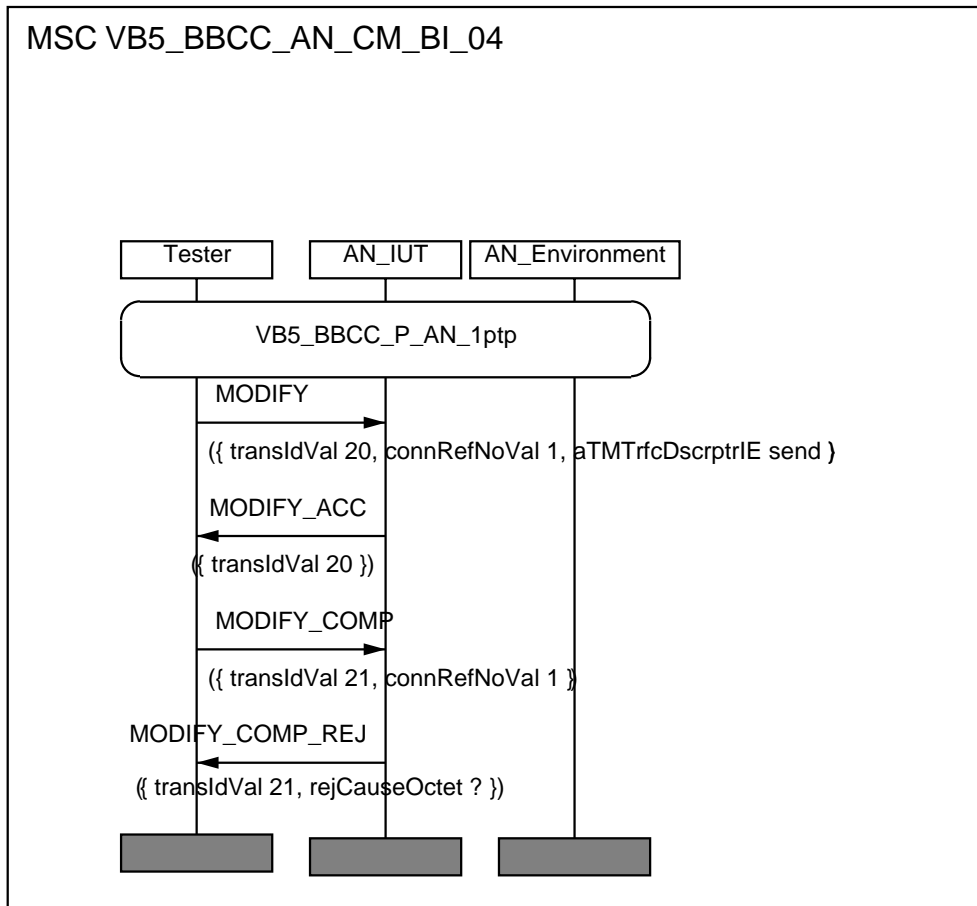


Figure 44

VB5_BBCC_AN_CM_BI_05	Reference EN 301 217-1 [3]: 13.6.2.3.2, 13.6.1.5.5
Purpose	Check modification abort reject upon Connection Control Function decision
Test description	The tester issues a MODIFY PDU with mandatory parameters then receives a MODIFY_ACC PDU within T_Modify time. The tester issues a MODIFY_ABORT PDU with mandatory parameters. The Connection Control Function rejects the request
Pass criteria	Check that the tester is receiving a MODIFY_ABORT_REJ PDU within T_ModifyAbort time
Selection	A.54/4: Bearer connection modification procedure AND PIX_MODIFY_ABORT_REJ true
Preamble	P_AN_1ptp
Postamble	None
Additional testing	Reset or Dealloc will restore connection reference

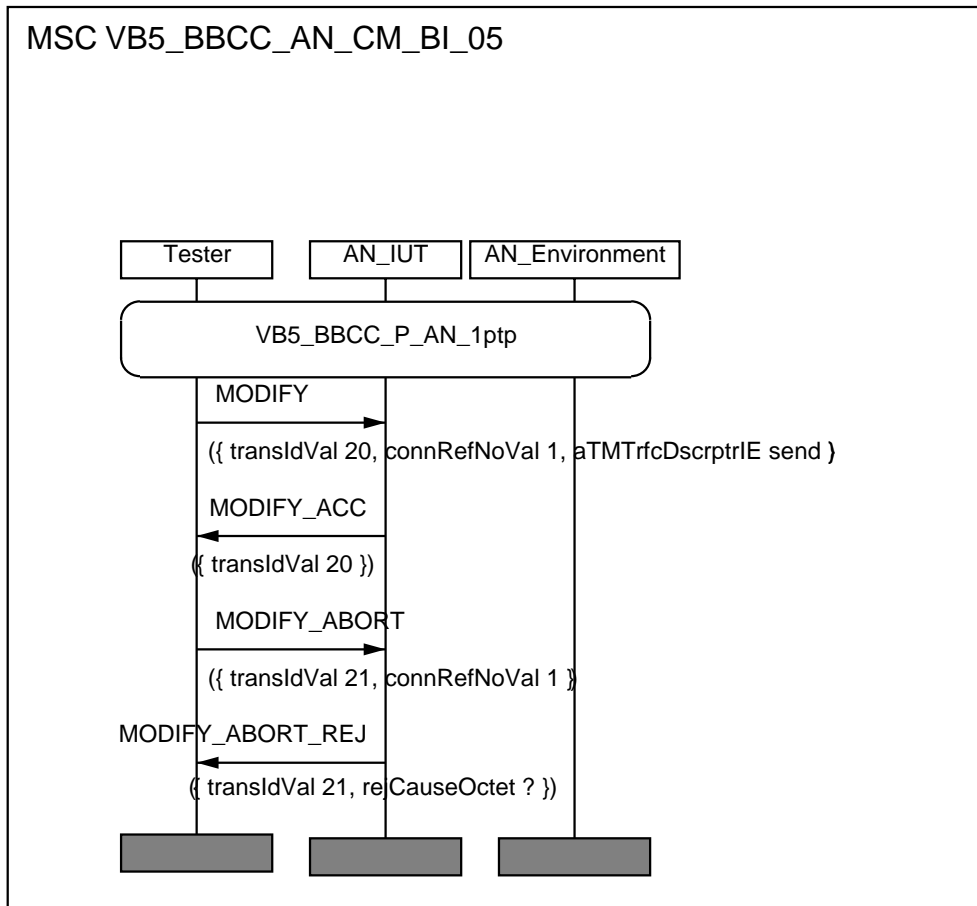


Figure 45

6.1.4.5 Test of timer T_Modification

VB5_BBCC_AN_CM_TI_01		Reference EN 301 217-1 [3]: 13.6.2.3.3 c
Purpose	Check T_Modification timer	
Test description	The tester issues a MODIFY PDU with mandatory parameters then receives a MODIFY_ACC PDU within T_Modify time. The tester waits for more than T_Modification time then it issues a MODIFY_COMP PDU	
Pass criteria	Check that the tester is NOT receiving a MODIFY_COMP_ACC PDU within T_ModifyComp time	
Selection	A.54/4: Bearer connection modification procedure	
Preamble	P_AN_1ptp	
Postamble	None	
Additional testing		

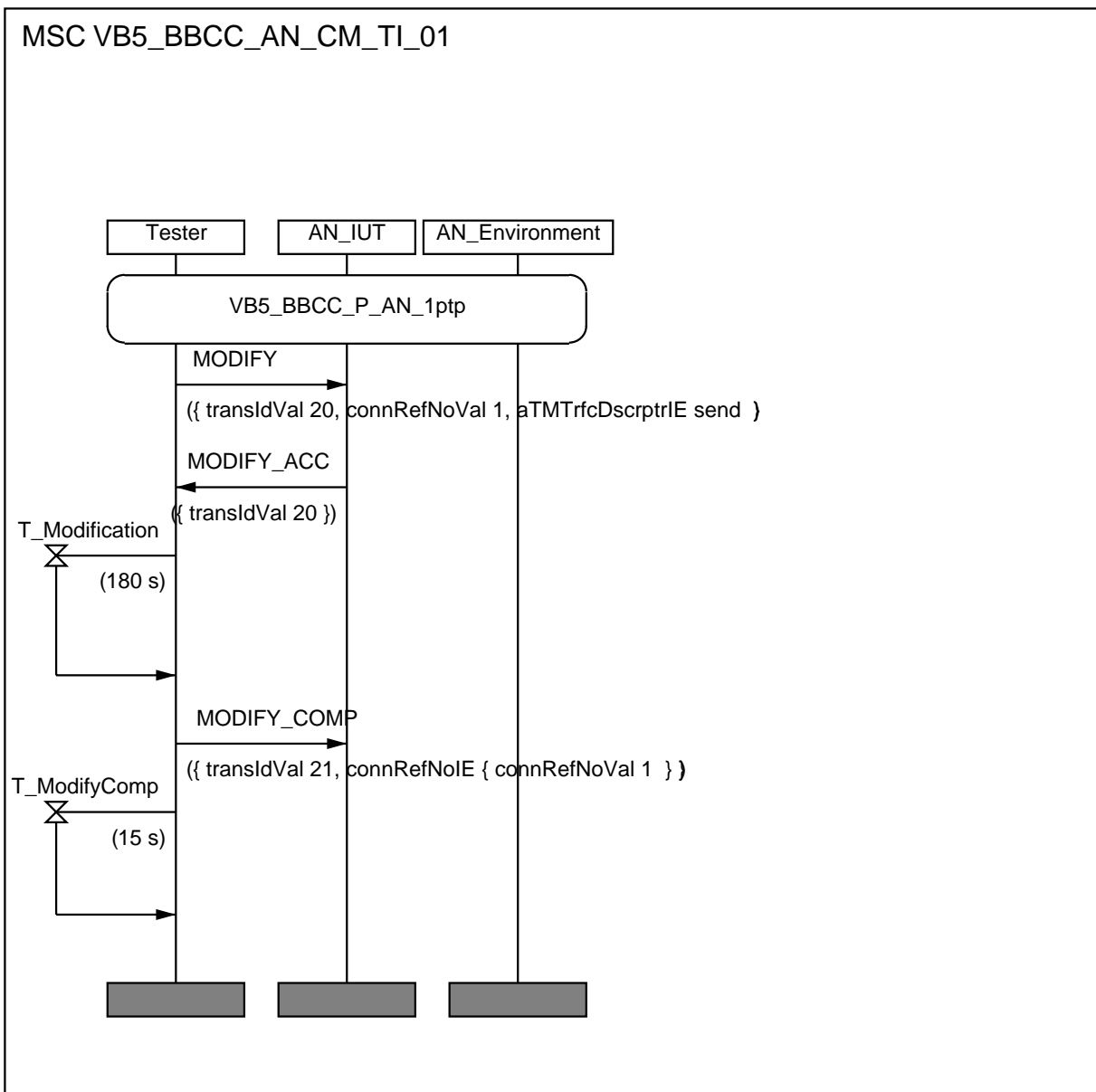


Figure 46

VB5_BBCC_AN_CM_TI_02	Reference EN 301 217-1 [3]: 13.6.2.3.3 c
Purpose	Check T_Modification timer
Test description	The tester issues a MODIFY PDU with mandatory parameters then receives a MODIFY_ACC PDU within T_Modify time. The tester waits for more than T_Modification time then it issues a MODIFY_ABORT PDU
Pass criteria	Check that the tester is NOT receiving a MODIFY_ABORT_ACC PDU within T_ModifyAbort time
Selection	A.54/4: Bearer connection modification procedure
Preamble	P_AN_1ptp
Postamble	None
Additional testing	

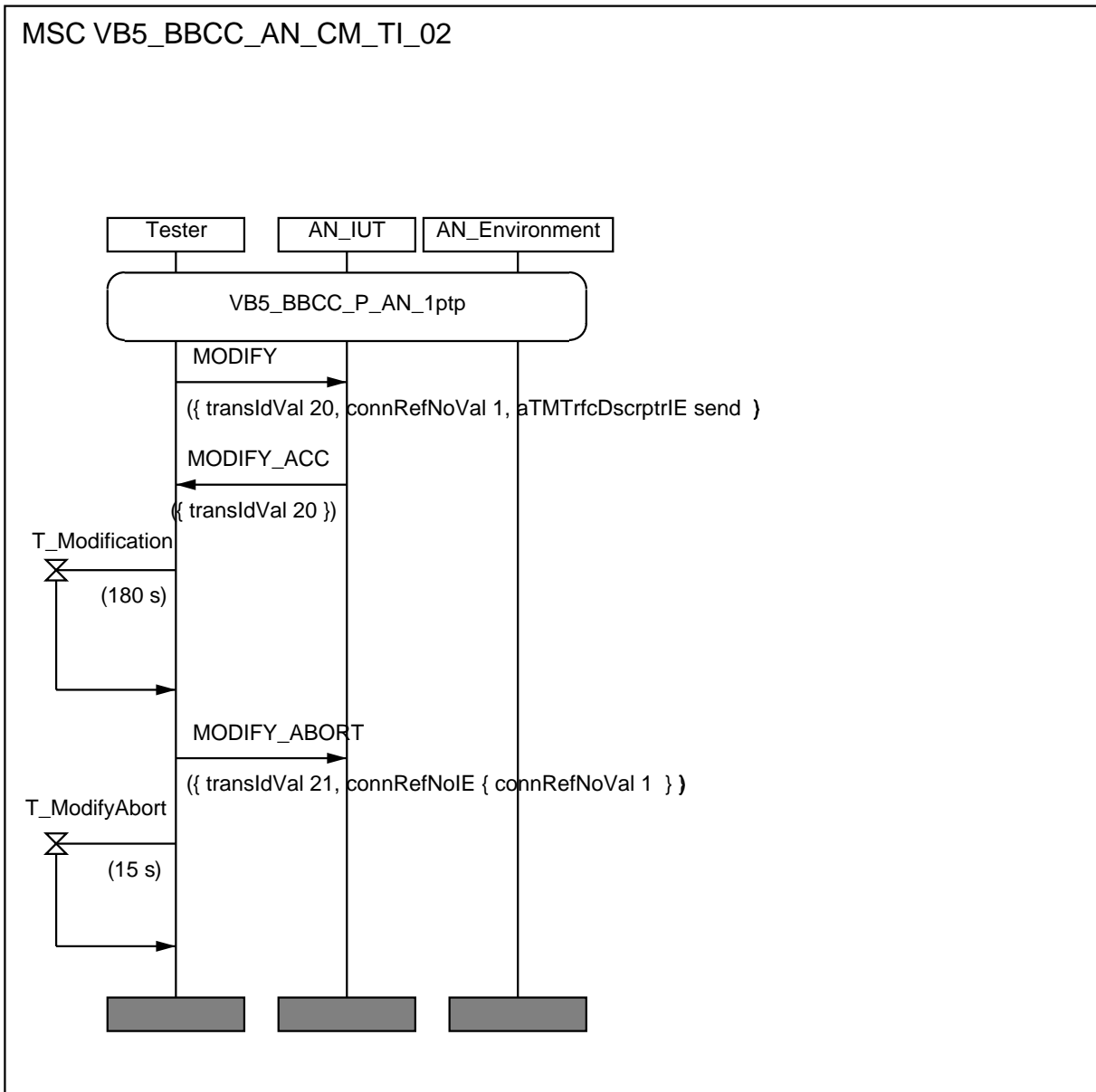


Figure 47

VB5_BBCC_AN_CM_TI_03		Reference EN 301 217-1 [3]: 13.6.2.3.3 c
Purpose	Check T_Modification timer	
Test description	The tester issues a MODIFY PDU with mandatory parameters then receives a MODIFY_ACC PDU within T_Modify time. The tester waits for more than T_Modification time then it issues a DEALLOC PDU	
Pass criteria	Check that the tester is receiving a DEALLOC_ACC PDU	
Selection	A.54/4: Bearer connection modification procedure	
Preamble	P_AN_1ptp	
Postamble	None	
Additional testing		

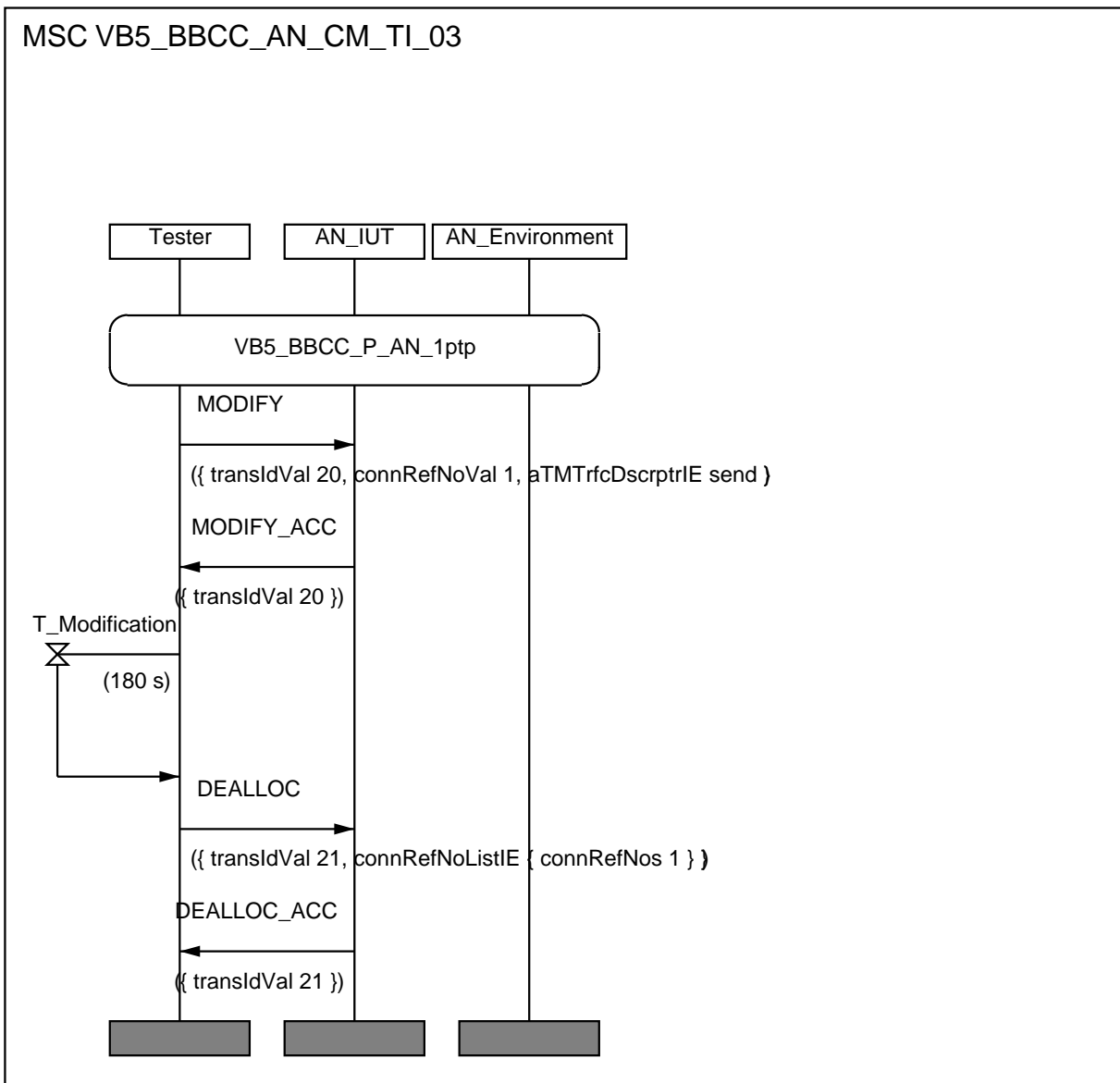


Figure 48

VB5_BBCC_AN_CM_TI_04	Reference EN 301 217-1 [3]: 13.6.2.3.3 c
Purpose	Check T_Modification timer
Test description	The tester issues a MODIFY PDU with mandatory parameters then receives a MODIFY_ACC PDU within T_Modify time. The tester waits for more than T_Modification time then it issues a DEALLOC PDU and receives a DEALLOC_ACC PDU. Finally the tester issues an ALLOC PDU with mandatory parameters for the same connection reference number
Pass criteria	Check that the tester is receiving an ALLOC_ACC PDU
Selection	A.54/4: Bearer connection modification procedure
Preamble	P_AN_1ptp
Postamble	None
Additional testing	

MSC VB5_BBCC_AN_CM_TI_04

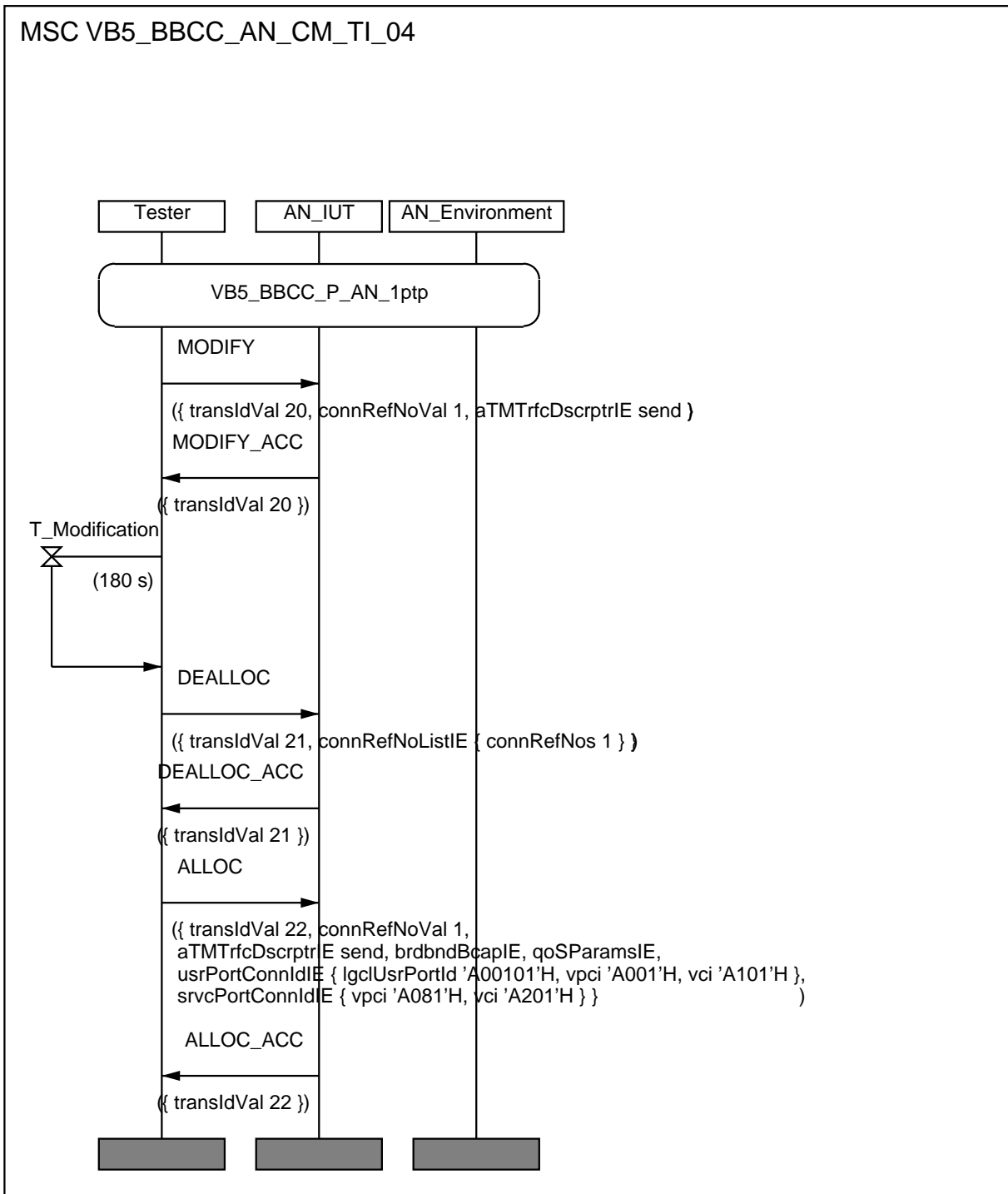


Figure 49

VB5_BBCC_AN_CM_TI_05		Reference EN 301 217-1 [3]: 13.6.2.3.3 c
Purpose	Check T_Modification timer	
Test description	The tester issues a MODIFY PDU with mandatory parameters then receives a MODIFY_ACC PDU within T_Modify time. The tester waits for more than T_Modification time then it issues a RESET PDU (note) and receives a RESET_ACC PDU. Finally the tester issues an ALLOC PDU with mandatory parameters for the same connection reference number	
Pass criteria	Check that the tester is receiving an ALLOC_ACC PDU	
Selection	A.54/4: Bearer connection modification procedure	
Preamble	P_AN_1ptp	
Postamble	None	
Additional testing		
NOTE:	The RESET PDU shall carry the service port connection identifier corresponding to the connection reference number for which the modification was requested.	

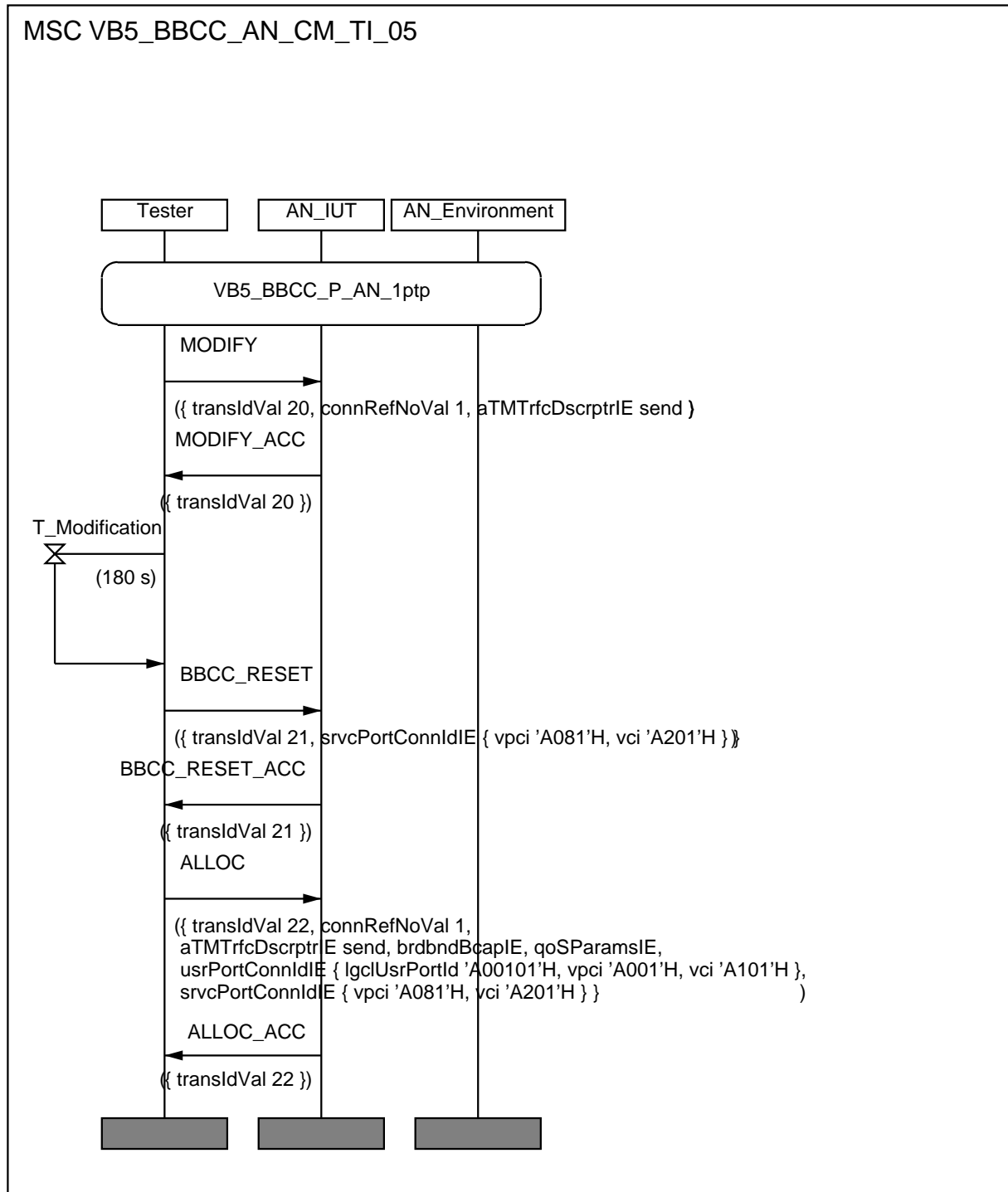


Figure 50

6.1.5 Branch Establishment procedure (BE)

PtM connection only.

6.1.5.1 Add Branch procedure

VB5_BBCC_AN_BE_BV_01	Reference EN 301 217-1 [3]: 13.6.3.1
Purpose	Check Branch establishment (Add)
Test description	The tester issues a ADD_BRANCH PDU with mandatory parameters
Pass criteria	Check that the tester is receiving a ADD_BRANCH_ACC PDU within T_AddBranch time
Selection	A.54/5 AND A.54/6: multipoint connection
Preamble	P_AN_1ptm
Postamble	None
Additional testing	ceeAddBranchInd is sent to AN environment

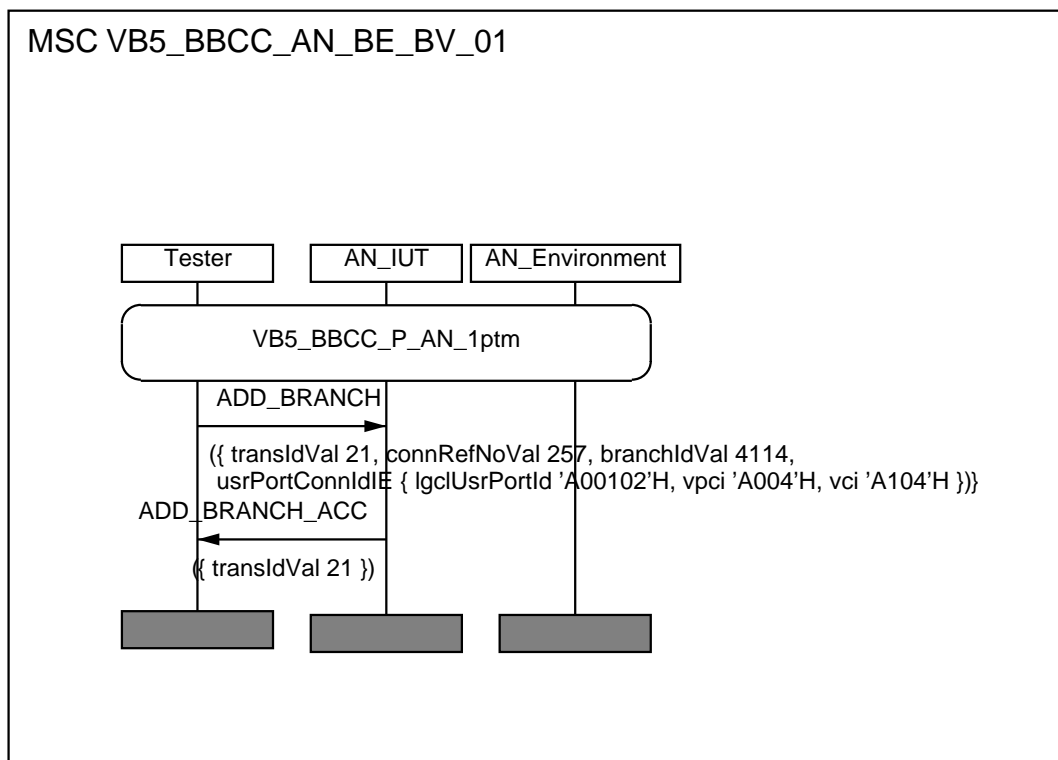


Figure 51

VB5_BBCC_AN_BE_BV_02	Reference EN 301 217-1 [3]: 13.6.3.1.3 a
Purpose	Check Add Branch reject when PtM connection not yet allocated
Test description	The tester issues an ALLOC PDU with mandatory parameters for PtM connection then receives an ALLOC_ACC PDU within T_Alloc time. Instead of completing the ALLOC, the tester issues a ADD_BRANCH PDU with mandatory parameters
Pass criteria	Check that the tester is receiving a ADD_BRANCH_ACC PDU within T_AddBranch time
Selection	A.54/5 AND A.54/6: multipoint connection
Preamble	P_AN_start
Postamble	None
Additional testing	

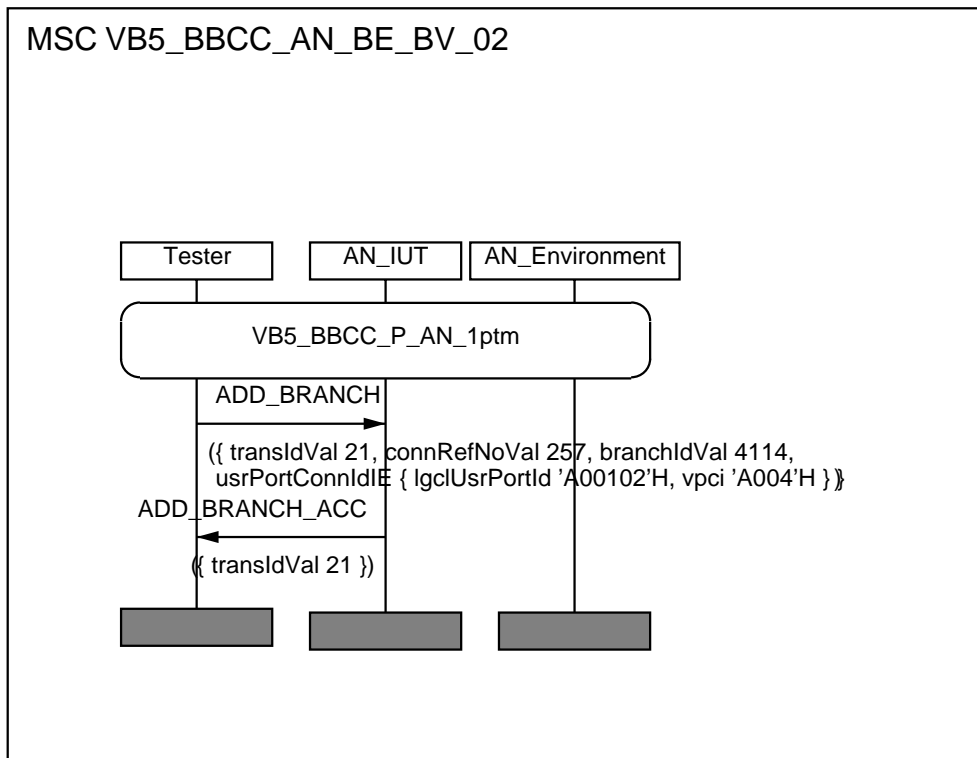


Figure 52

6.1.5.2 Add Branch Complete procedure

VB5_BBCC_AN_BE_BV_03		Reference EN 301 217-1 [3]: 13.6.3.1
Purpose	Check Branch establishment (Add then Update)	
Test description	The tester issues an ADD_BRANCH PDU with mandatory parameters (no VCI included) then receives an ADD_BRANCH_ACC PDU within T_AddBranch time. The tester issues an UPDATE_BRANCH PDU with mandatory parameters (VCI included)	
Pass criteria	Check that the tester is receiving an UPDATE_BRANCH_ACC PDU within T_UpdateBranch time	
Selection	A.54/5 AND A.54/6: multipoint connection	
Preamble	P_AN_1ptm	
Postamble	None	
Additional testing	ceeUpdateBranchInd is sent to AN environment	

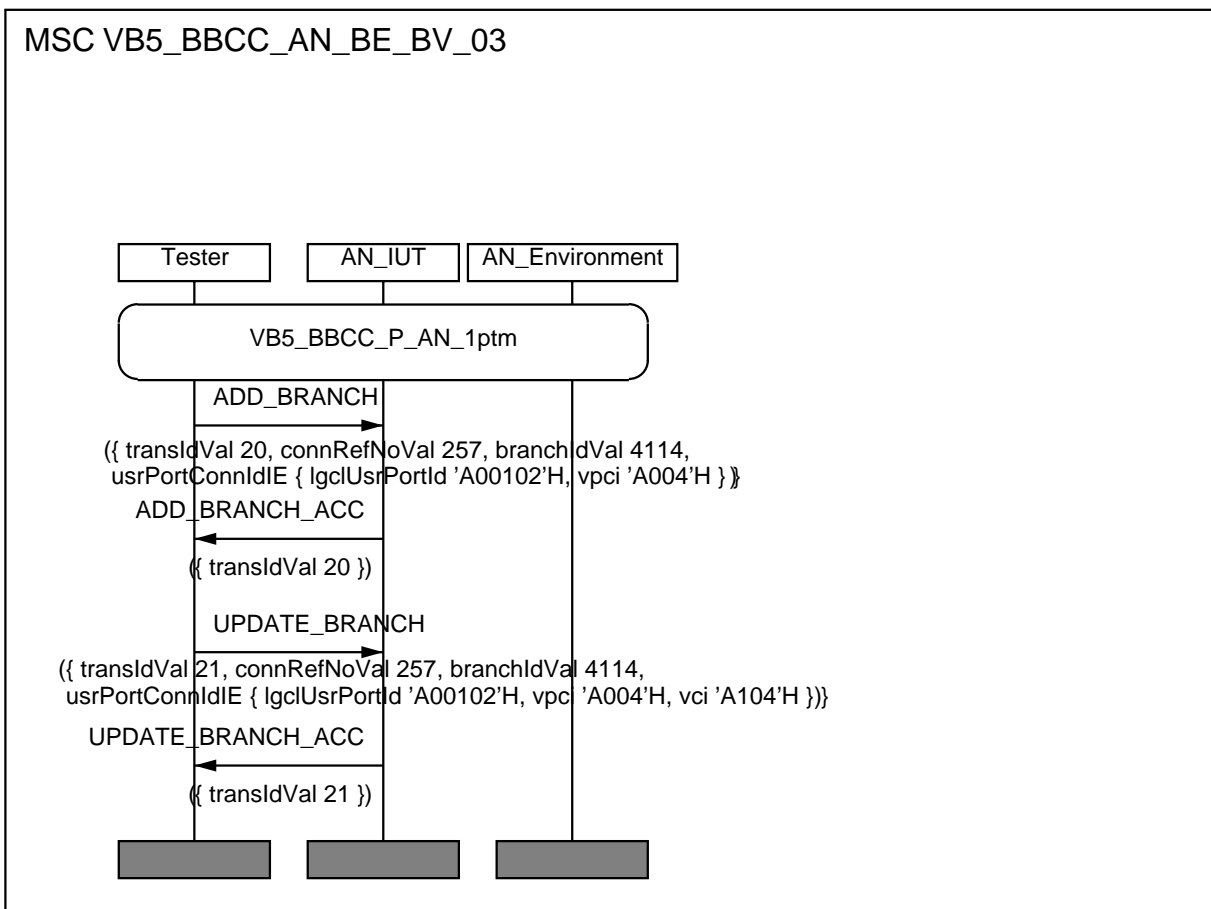


Figure 53

VB5_BBCC_AN_BE_BV_04	Reference EN 301 217-1 [3]: 13.6.3.1.3 a
Purpose	Check Add Branch when PtM connection not yet allocated
Test description	The tester issues an ALLOC PDU with mandatory parameters for PtM connection then receives an ALLOC_ACC PDU within T_Alloc time. Instead of completing the ALLOC, the tester issues a ADD_BRANCH PDU with mandatory parameters
Pass criteria	Check that the tester is receiving a ADD_BRANCH_ACC PDU within T_AddBranch time
Selection	A.54/5 AND A.54/6: multipoint connection
Preamble	P_startAN
Postamble	None
Additional testing	

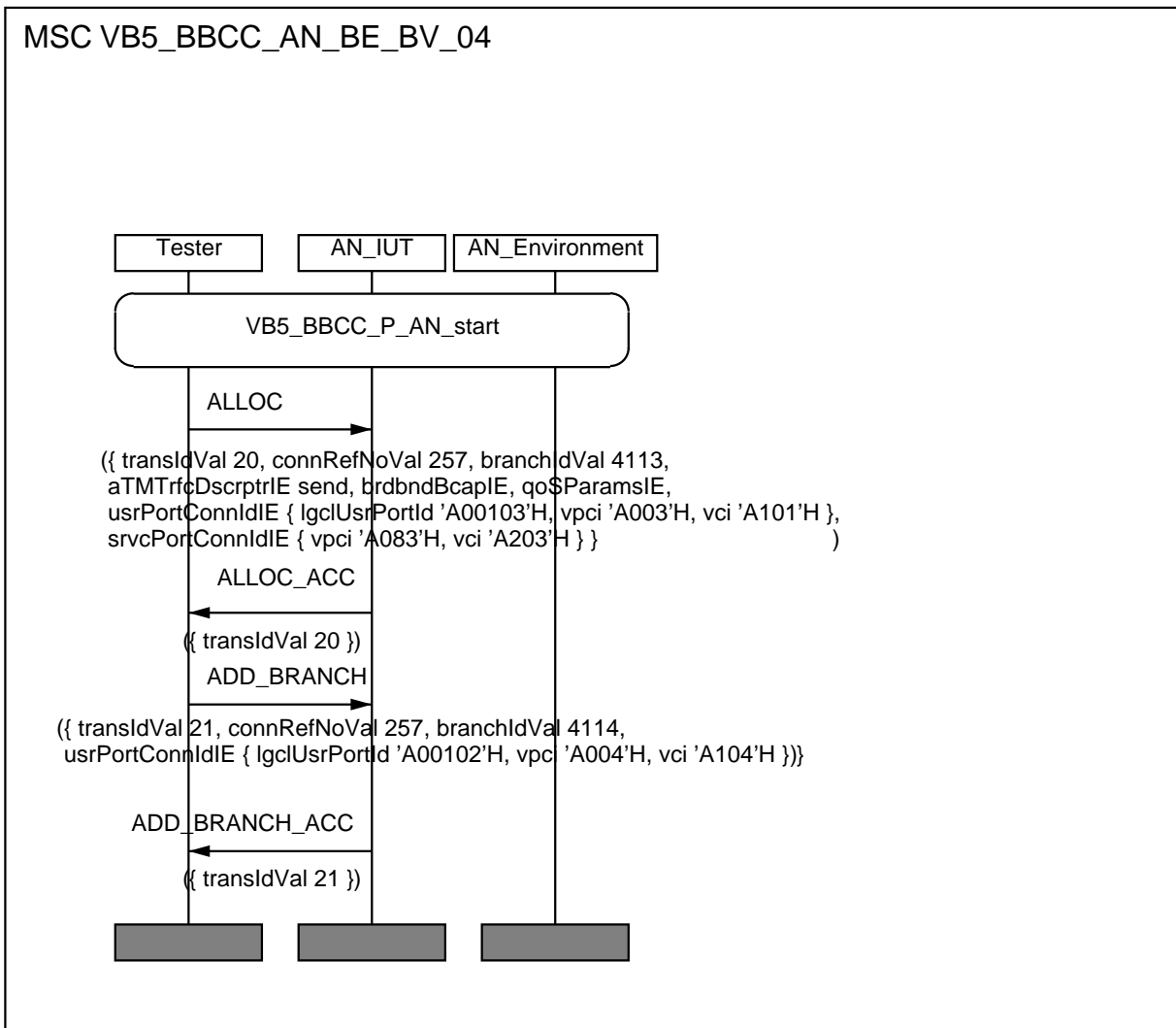


Figure 54

6.1.5.3 T_BranchEst timer test

VB5_BBCC_AN_BE_TI_01		Reference EN 301 217-1 [3]: 13.6.3.1
Purpose	Check Branch establishment timer	
Test description	The tester issues an ADD_BRANCH PDU with mandatory parameters parameters (no VCI included) then receives an ADD_BRANCH_ACC PDU within T_AddBranch time. The tester does not issue an UPDATE_BRANCH PDU within T_BranchEst time. Then the tester issues a 2 nd ADD_BRANCH PDU with same parameters	
Pass criteria	Check that the tester is receiving an ADD_BRANCH_ACC PDU, meaning that the first branch establishment was discarded properly	
Selection	A.54/5 AND A.54/6: multipoint connection	
Preamble	P_AN_1ptm	
Postamble	None	
Additional testing	ceeUpdateBranchInd is sent to AN environment	

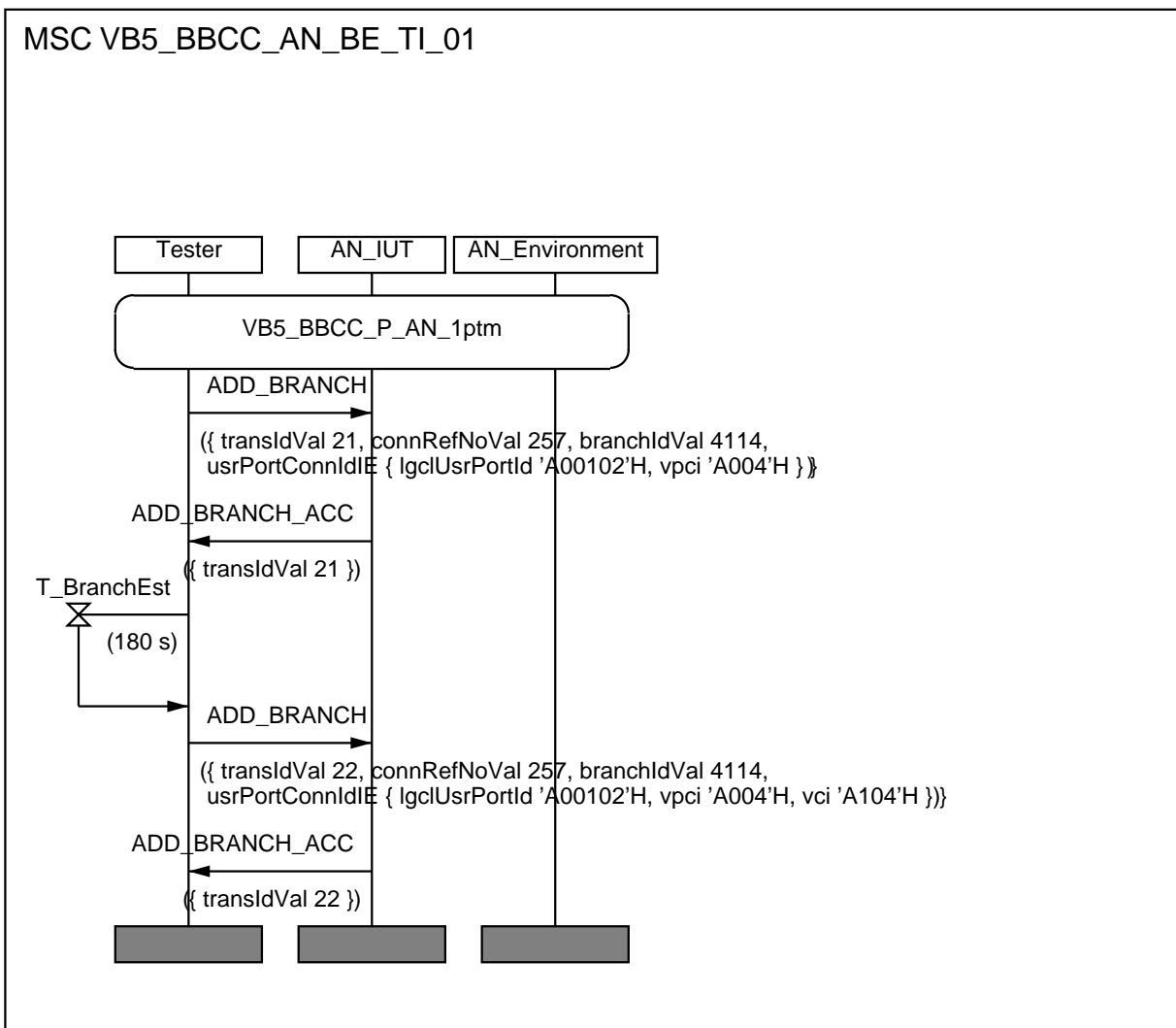


Figure 55

6.1.5.4 Exceptional procedure

VB5_BBCC_AN_BE_BI_01		Reference EN 301 217-1 [3]: 13.6.3.1.3
Purpose	Check Add Branch reject on a PtP connection	
Test description	The tester issues a ADD_BRANCH PDU with mandatory parameters	
Pass criteria	Check that the tester is receiving a ADD_BRANCH_REJ PDU within T_AddBranch time, with reject cause: "message not compatible with connection state"	
Selection	A.54/5 AND A.54/6: multipoint connection	
Preamble	P_AN_1ptp	
Postamble	None	
Additional testing		

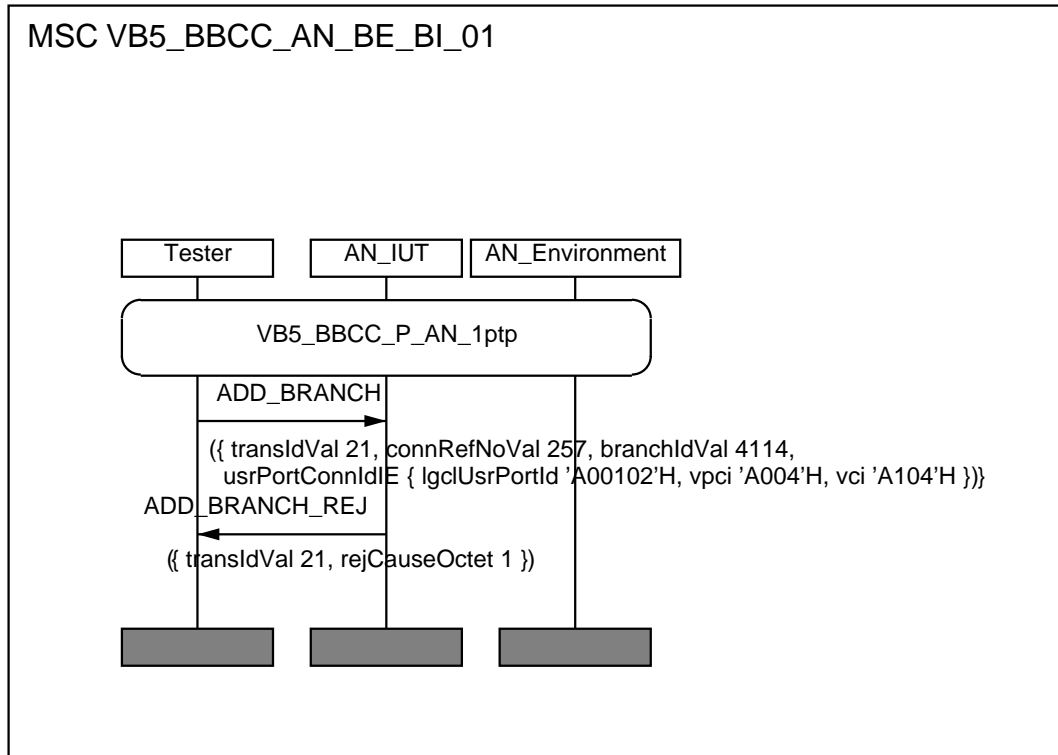


Figure 56

VB5_BBCC_AN_BE_BI_02	Reference EN 301 217-1 [3]: 13.6.3.1.3
Purpose	Check Add Branch reject when branch id already assigned
Test description	The tester issues a ADD_BRANCH PDU with mandatory parameters for a branch Id already assigned
Pass criteria	Check that the tester is receiving a ADD_BRANCH_REJ PDU within T_AddBranch time, with reject cause: "message not compatible with branch state"
Selection	A.54/5 AND A.54/6: multipoint connection
Preamble	P_AN_1ptmTwoB
Postamble	None
Additional testing	

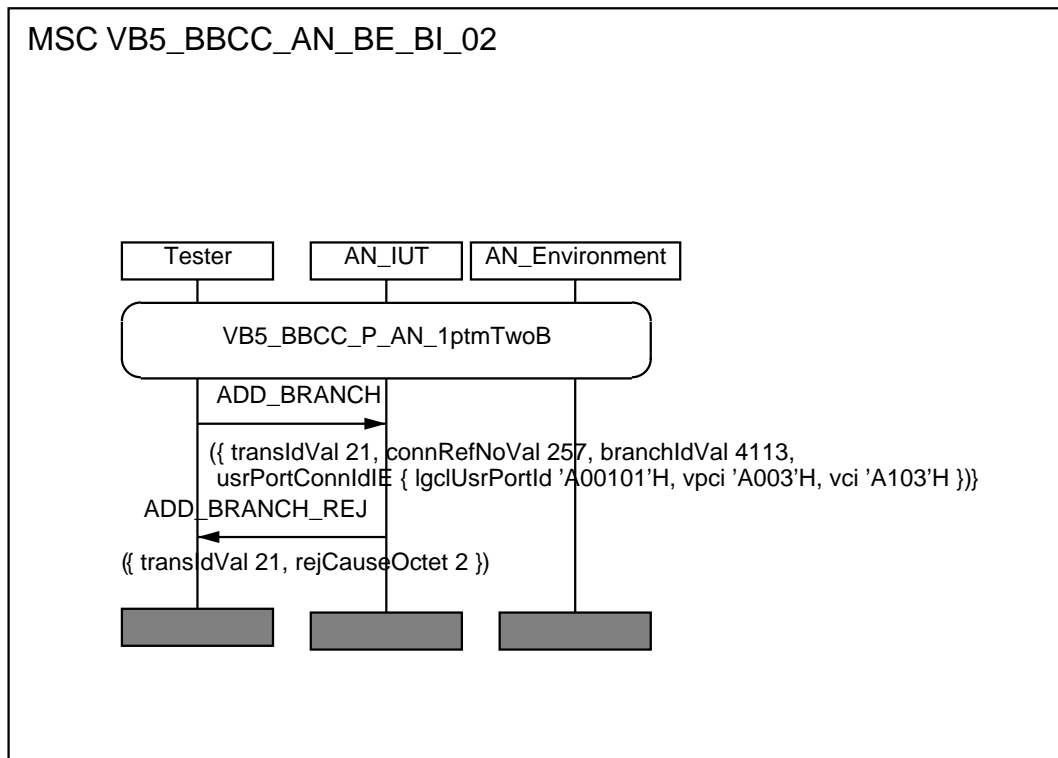


Figure 57

VB5_BBCC_AN_BE_BI_03		Reference EN 301 217-1 [3]: 13.6.3.1.3, 13.6.1.5.4
Purpose	Check Update Branch reject	
Test description	The tester issues a UPDATE_BRANCH PDU with mandatory parameters for a branch Id not yet assigned (no Add branch)	
Pass criteria	Check that the tester is receiving a UPDATE_BRANCH_REJ PDU within T_UpdateBranch time, with reject cause: "message not compatible with branch state"	
Selection	A.54/5 AND A.54/6: multipoint connection	
Preamble	P_AN_1ptm	
Postamble	None	
Additional testing		

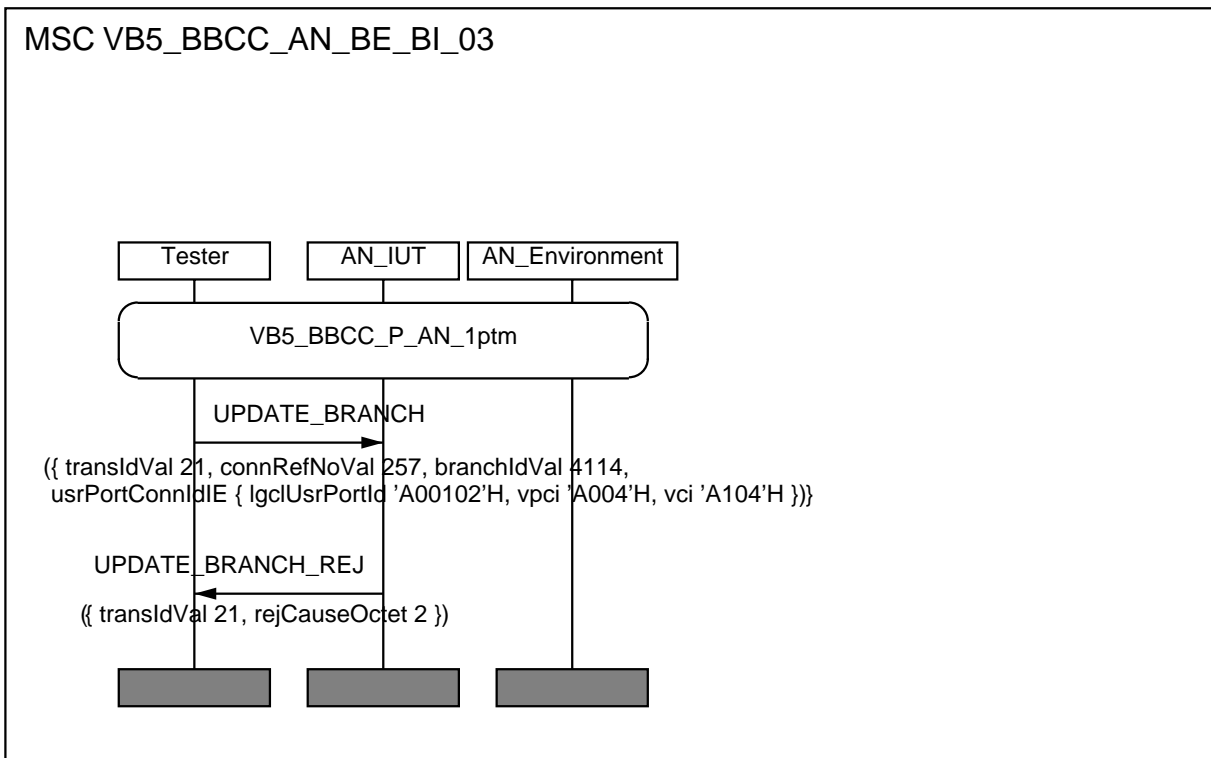


Figure 58

6.1.6 Branch Release procedure (BR)

6.1.6.1 Single Branch release procedure

VB5_BBCC_AN_BR_BV_01		Reference EN 301 217-1 [3]: 13.6.3.2
Purpose	Check Branch Release (Single branch identifier)	
Test description	The tester issues a DROP_BRANCH PDU with mandatory parameters	
Pass criteria	Check that the tester is receiving a DROP_BRANCH_ACC PDU within T_DropBranch time	
Selection	A.54/5 AND A.54/6: multipoint connection	
Preamble	P_AN_1ptmTwoB	
Postamble	None	
Additional testing	ceeDropBranchInd is sent to AN environment	

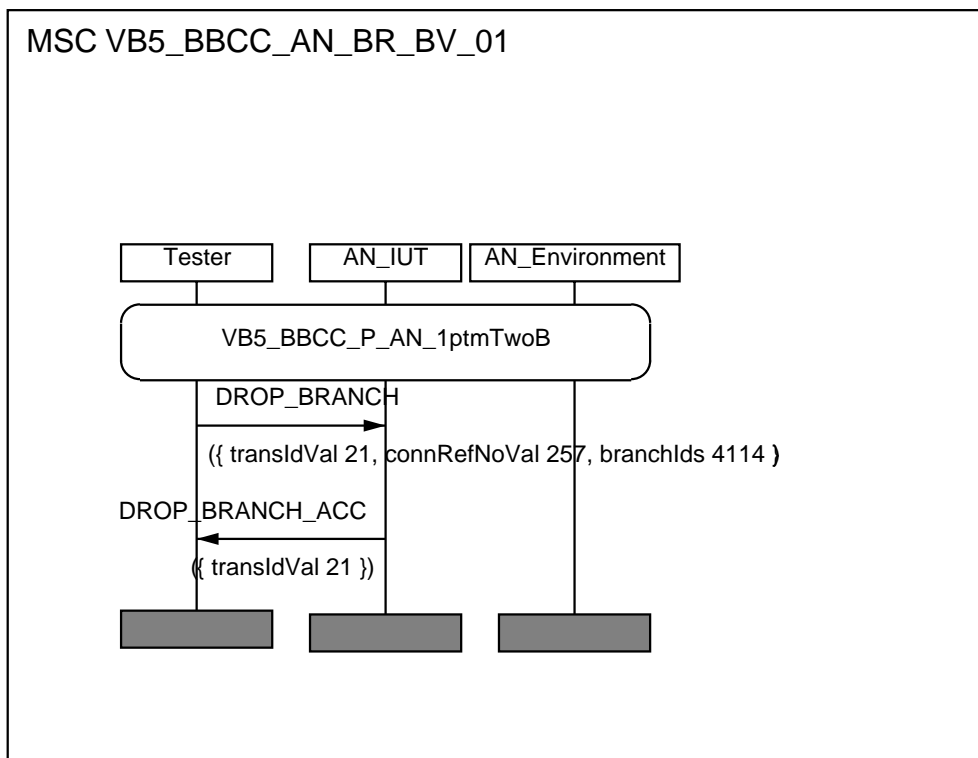


Figure 59

6.1.6.2 Multiple Branch release procedure

VB5_BBCC_AN_BR_BV_02		Reference EN 301 217-1 [3]: 13.6.3.2
Purpose	Check Branch Release (List of branch identifiers)	
Test description	The tester issues a DROP_BRANCH PDU with mandatory parameters for two branches out of three of a connection	
Pass criteria	Check that the tester is receiving a DROP_BRANCH_ACC PDU within T_DropBranch time	
Selection	A.54/5 AND A.54/6: multipoint connection	
Preamble	P_AN_1ptmThreeB	
Postamble	None	
Additional testing	ceeDropBranchInd is sent to AN environment	

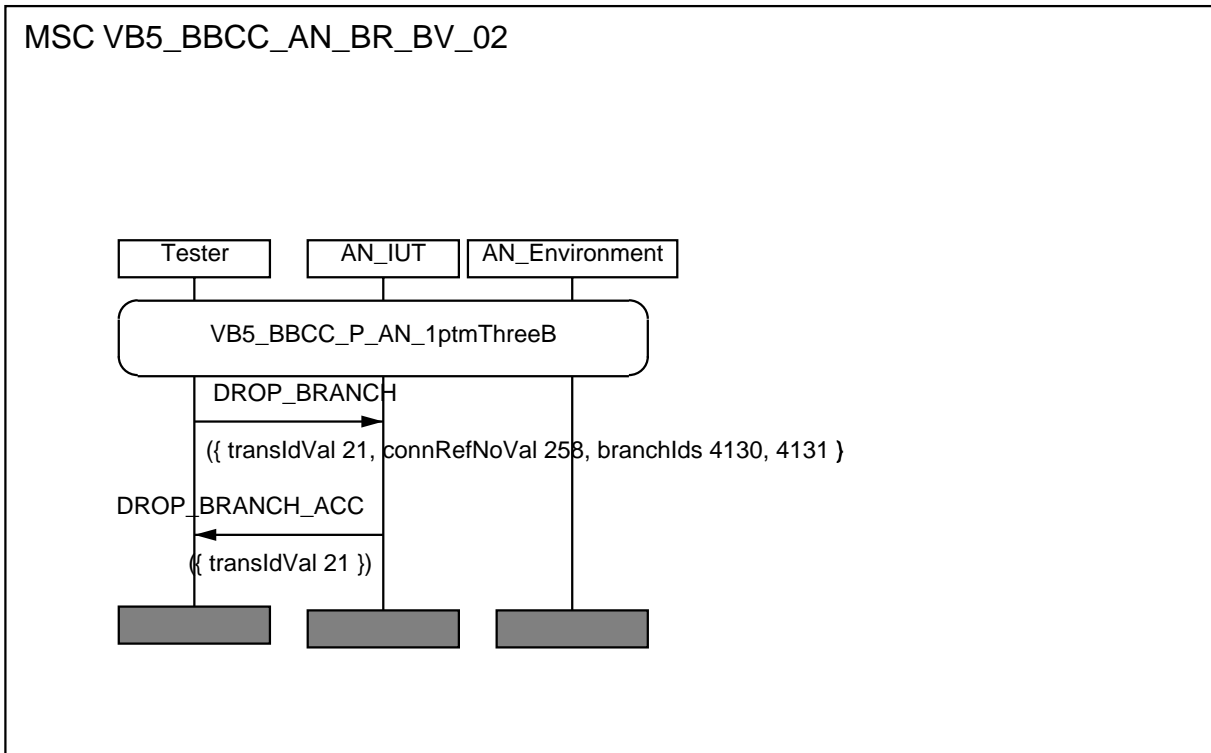


Figure 60

6.1.6.3 Exceptional procedure

VB5_BBCC_AN_BR_BI_01		Reference EN 301 217-1 [3]: 13.6.3.2.3.a
Purpose	Check DROP Branch reject on an unknown connection	
Test description	The tester issues a DROP_BRANCH PDU with mandatory parameters	
Pass criteria	Check that the tester is receiving a DROP_BRANCH_REJ PDU within T_DropBranch time, with reject cause: "message not compatible with connection state"	
Selection	A.54/5 AND A.54/6: multipoint connection	
Preamble	P_AN_start	
Postamble	None	
Additional testing		

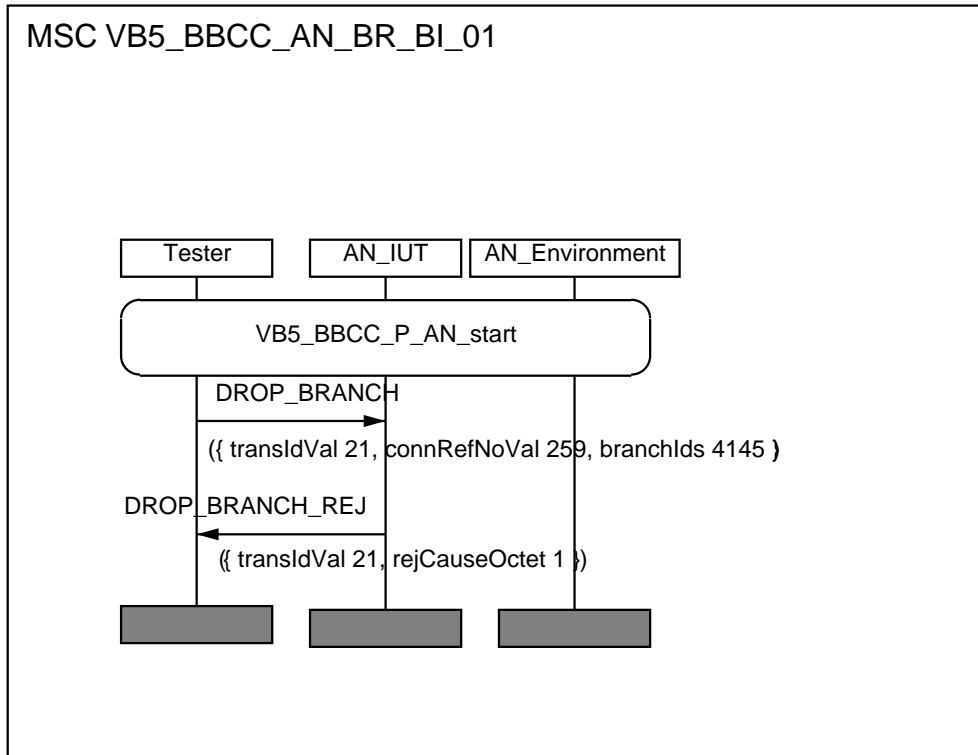


Figure 61

VB5_BBCC_AN_BR_BI_02	Reference EN 301 217-1 [3]: 13.6.3.2.3.c
Purpose	Check DROP Branch reject on "all branch" drop
Test description	The tester issues a DROP_BRANCH PDU with mandatory parameters for the branch of the connection
Pass criteria	Check that the tester is receiving a DROP_BRANCH_REJ PDU within T_DropBranch time, with reject cause: de-allocation of last branch expected
Selection	A.54/5 AND A.54/6: multipoint connection
Preamble	P_AN_1ptm
Postamble	None
Additional testing	

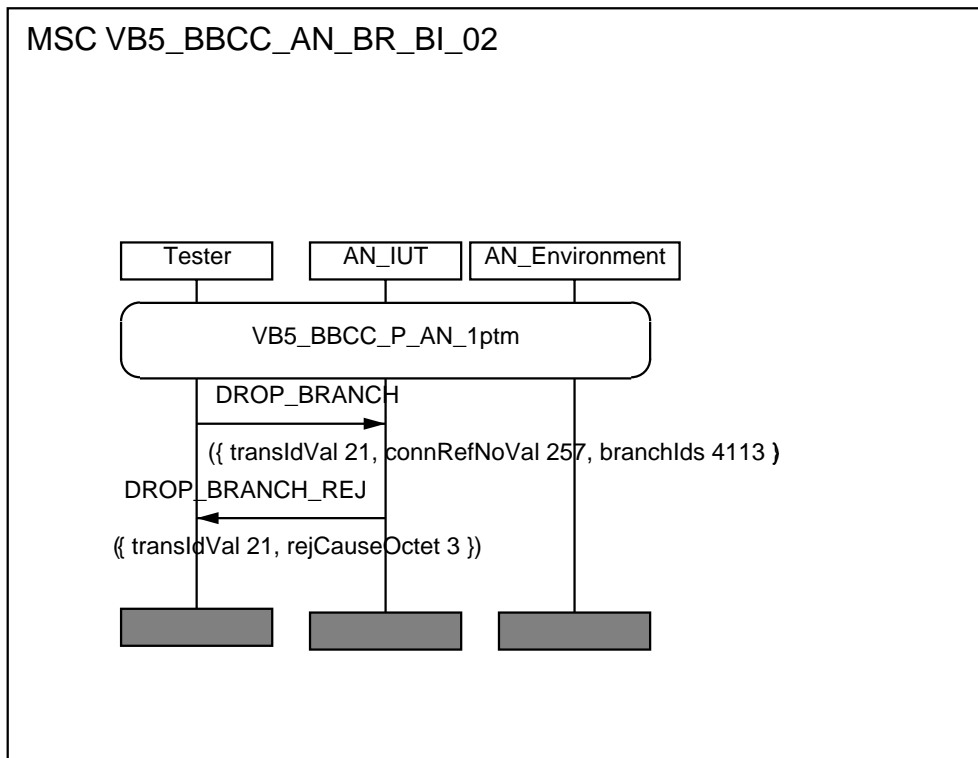


Figure 62

VB5_BBCC_AN_BR_BI_03		Reference EN 301 217-1 [3]: 13.6.3.2.3.b
Purpose	Check DROP Branch(es) of a known connection, one branch being unknown	
Test description	The tester issues a DROP_BRANCH PDU with mandatory parameters for several branches of the connection, one being unknown	
Pass criteria	Check that the tester is receiving a DROP_BRANCH_ACC PDU within T_DropBranch time	
Selection	A.54/5 AND A.54/6: multipoint connection	
Preamble	P_AN_1ptmTwoB	
Postamble	None	
Additional testing	ceeDropBranchInd is sent to AN environment for the known branches	

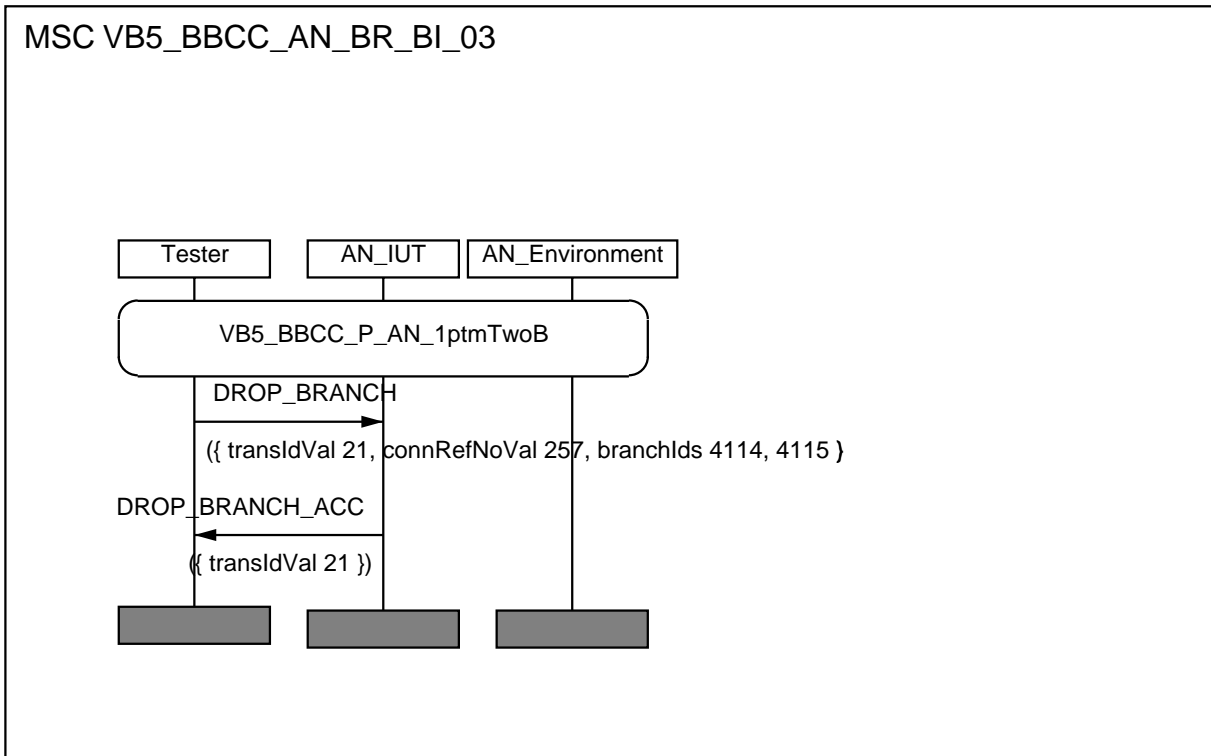


Figure 63

6.1.7 Housekeeping procedure (Reset, Fault)

6.1.7.1 Reset procedure

VB5_BBCC_AN_HK_BV_01	Reference EN 301 217-1 [3]: 13.6.4.1
Purpose	Check Reset Connection at User port
Test description	The tester issues a BBCC_RESET PDU with mandatory parameters
Pass criteria	Check that the tester is receiving a BBCC_RESET_ACC PDU within T_BBCCReset time
Selection	None
Preamble	P_AN_1ptp
Postamble	None
Additional testing	ceeBBCCResetInd is sent to AN environment

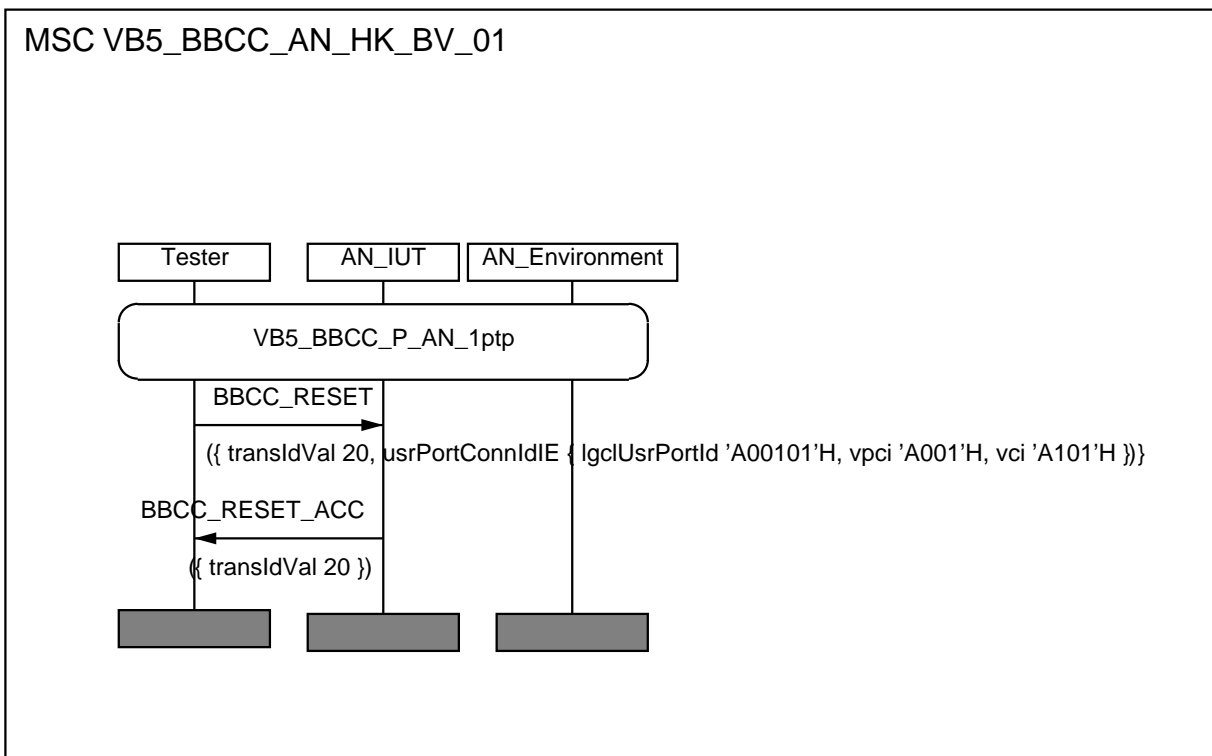


Figure 64

VB5_BBCC_AN_HK_BV_02	Reference EN 301 217-1 [3]: 13.6.4.1
Purpose	Check Reset Connection at Service port
Test description	The tester issues a BBCC_RESET PDU with mandatory parameters
Pass criteria	Check that the tester is receiving a BBCC_RESET_ACC PDU within T_BBCCReset time
Selection	None
Preamble	P_AN_1ptp
Postamble	None
Additional testing	ceeBBCCResetInd is sent to AN environment

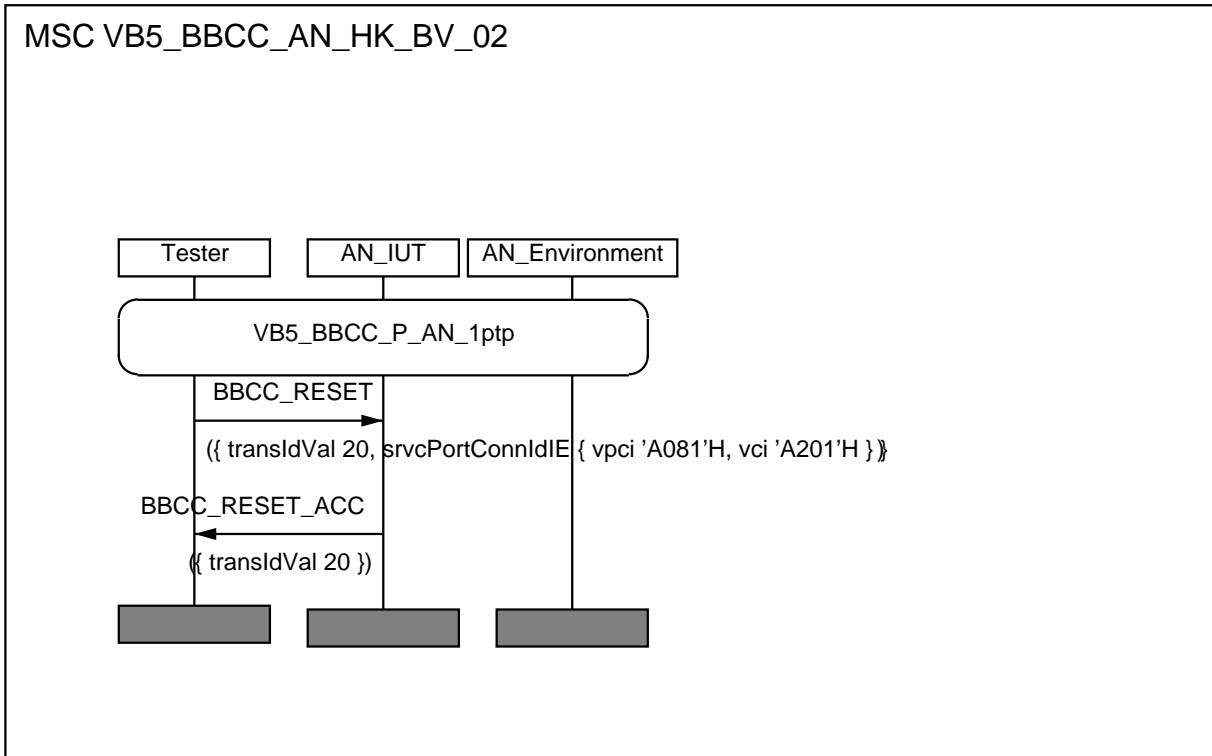


Figure 65

VB5_BBCC_AN_HK_BV_03	Reference EN 301 217-1 [3]: 13.6.4.1
Purpose	Check Reset complete LSP
Test description	The tester issues a BBCC_RESET PDU with mandatory parameters
Pass criteria	Check that the tester is receiving a BBCC_RESET_ACC PDU within T_BBCCReset time
Selection	None
Preamble	P_AN_start
Postamble	None
Additional testing	ceeBBCCResetInd is sent to AN environment

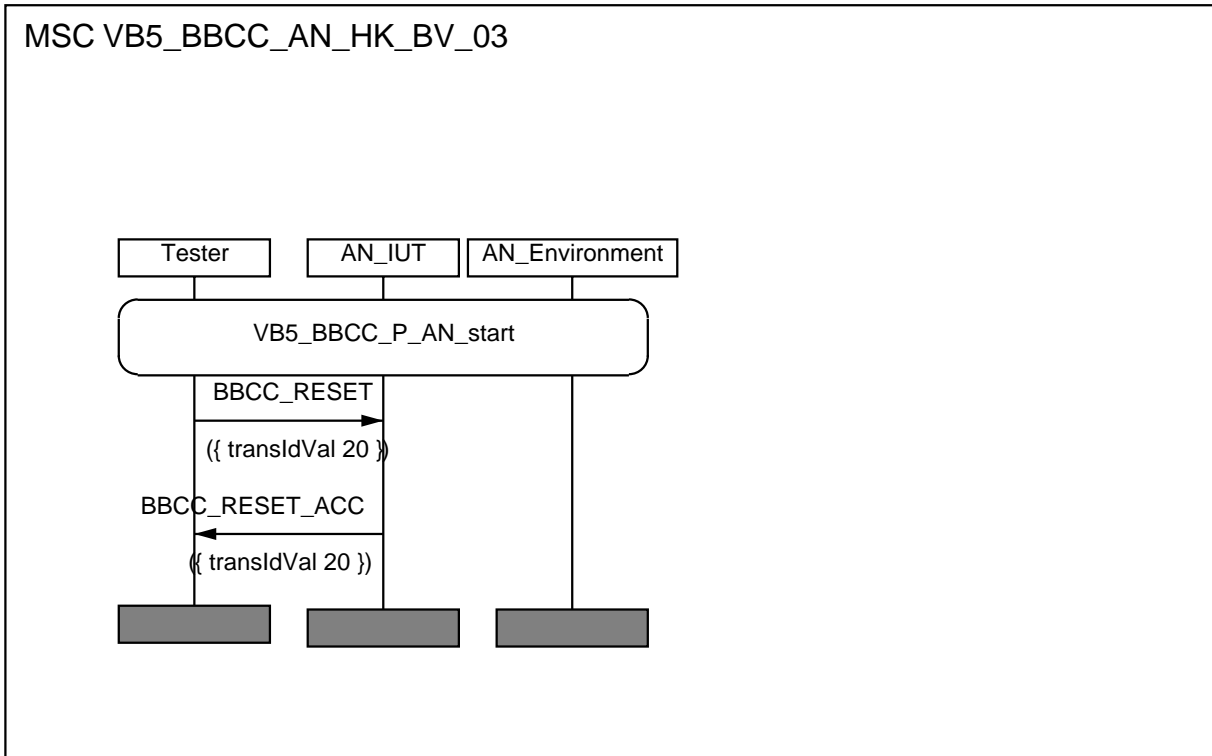


Figure 66

VB5_BBCC_AN_HK_BV_08	Reference EN 301 217-1 [3]: 13.6.4.1
Purpose	Check Reset Connection at Service port and re-use Connection Reference Number
Test description	The tester issues a BBCC_RESET PDU with mandatory parameters and receives a BBCC_RESET_ACC PDU within T_BBCCReset time. The tester then sends an ALLOC PDU with mandatory parameters, re-using the Connection Reference Number of the connection that has been reset
Pass criteria	Check that the tester is receiving an ALLOC_ACC PDU
Selection	None
Preamble	P_AN_1ptp
Postamble	None
Additional testing	

MSC VB5_BBCC_AN_HK_BV_08

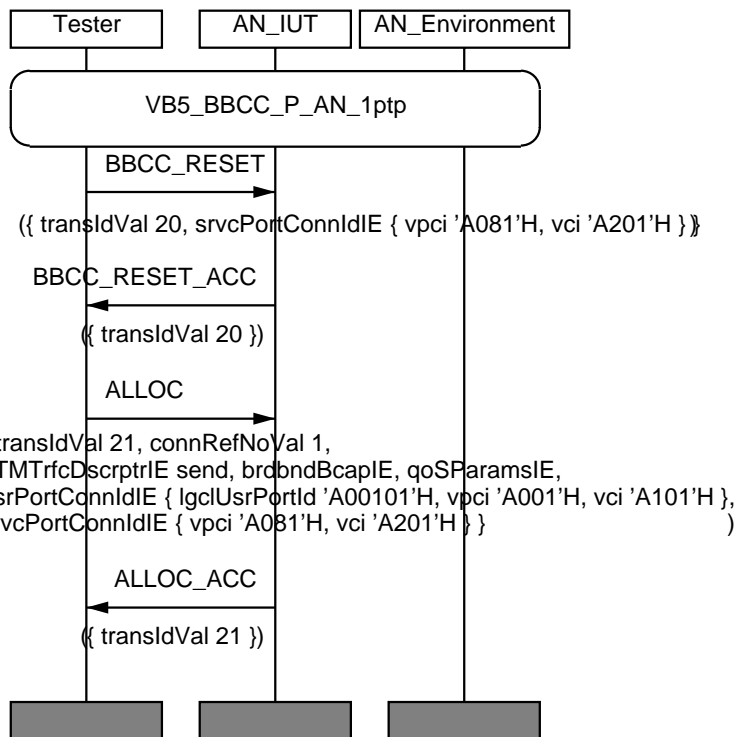


Figure 67

6.1.7.2 AN fault procedure

VB5_BBCC_AN_HK_BV_04	Reference EN 301 217-1 [3]: 13.6.4.2
Purpose	Check AN fault procedure
Test description	The tester issues an implicit send to cause the IUT to initiate an AN fault procedure
Pass criteria	Check that the tester is receiving AN_FAULT PDU containing mandatory parameters
Selection	None
Preamble	P_AN_1ptp
Postamble	None
Additional testing	None

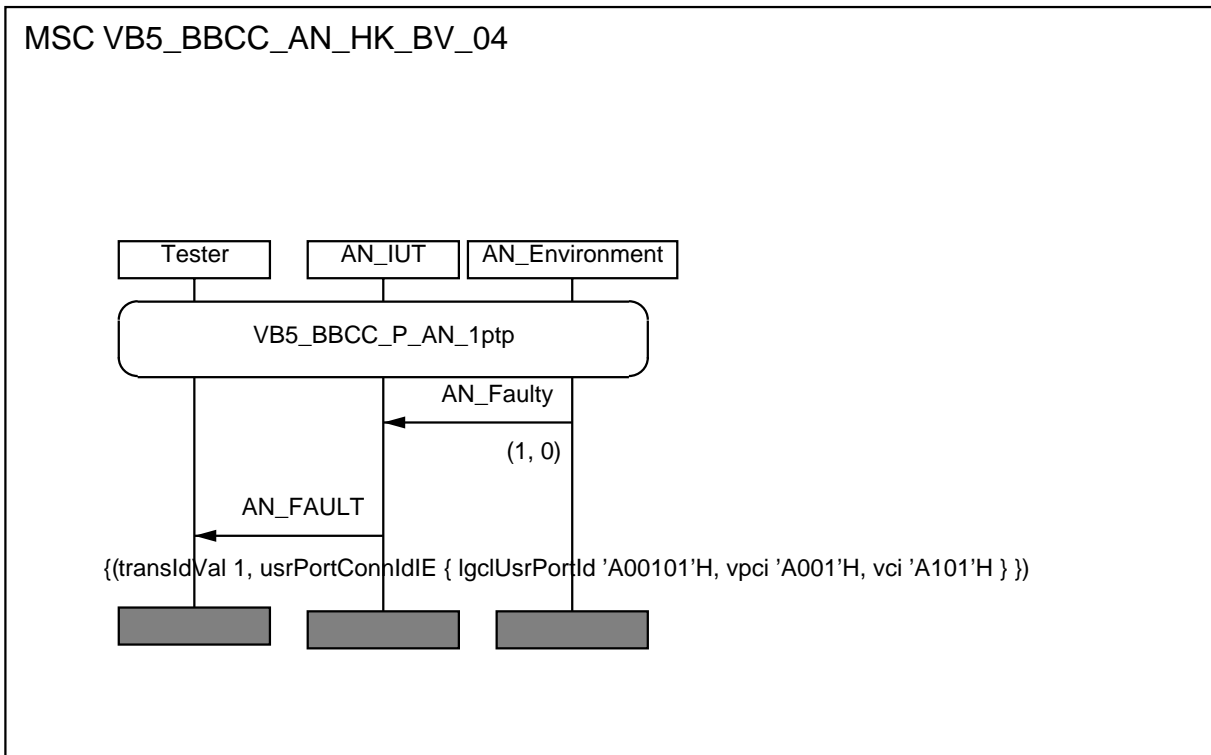


Figure 68

VB5_BBCC_AN_HK_TI_01	Reference EN 301 217-1 [3]: 13.6.4.2
Purpose	Check AN fault timer procedure
Test description	The tester issues an implicit send to cause the IUT to initiate an AN fault procedure. The tester is receiving AN_FAULT PDU containing mandatory parameters. Then the tester does not answer with AN_FAULT_ACC PDU within ANFault timer
Pass criteria	Check that the tester is receiving a second AN_FAULT PDU within the acceptance time window, meaning that the first PDU was discarded when time out occurred
Selection	None
Preamble	P_AN_1ptp
Postamble	None
Additional testing	None

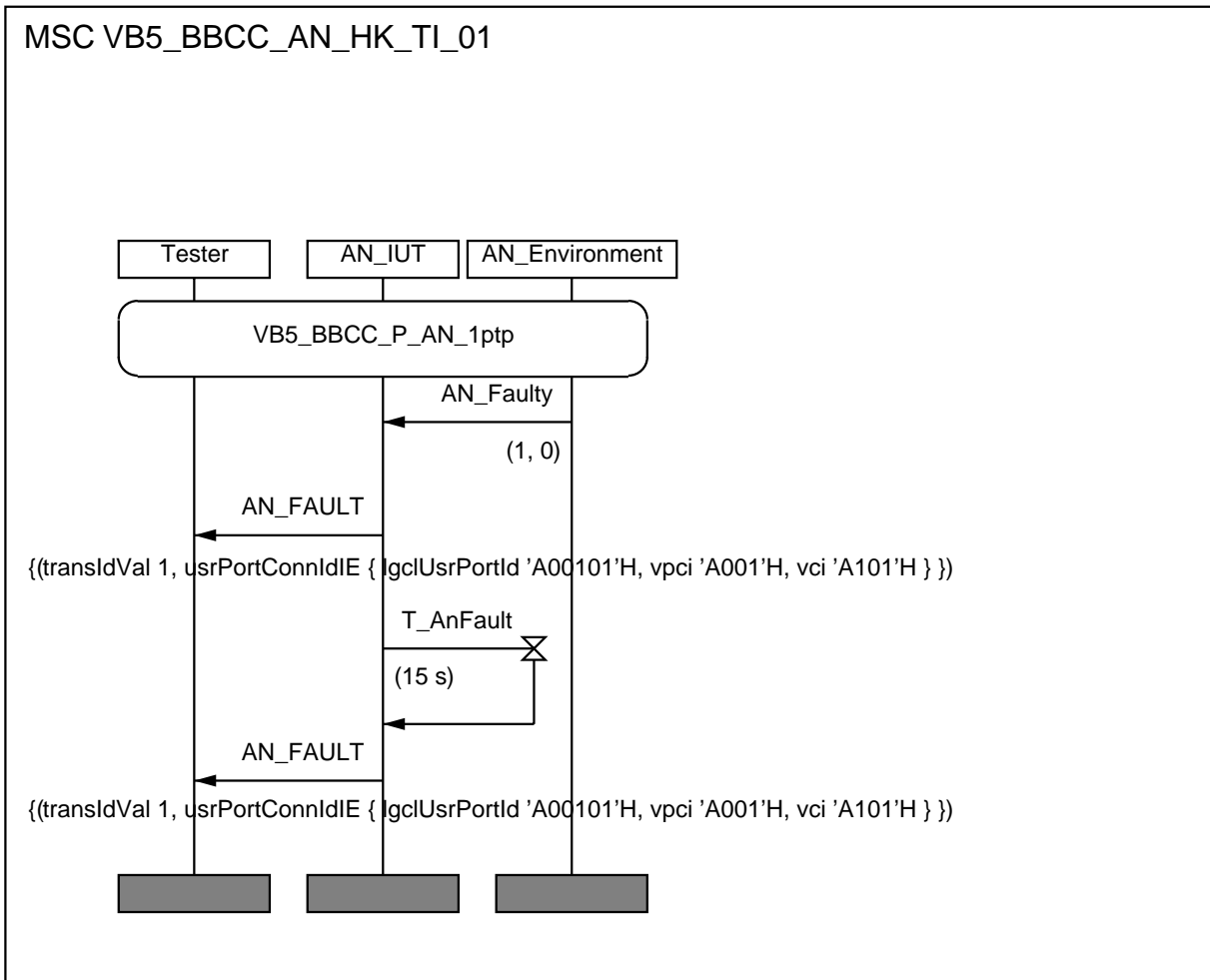


Figure 69

6.1.7.3 BBCC restart procedure

VB5_BBCC_AN_HK_BV_05	Reference EN 301 217-1 [3]: 13.6.4.3
Purpose	Check BBCC pre-sync procedure (LSP)
Test description	The tester issues a BBCC_PRESYNC PDU with mandatory parameters for complete LSP
Pass criteria	Check that the tester is receiving a BBCC_PRESYNC_ACC PDU within T_BBCCPresync time
Selection	None
Preamble	P_AN_1ptp
Postamble	None
Additional testing	meeBBCCPresyncInd is sent to AN environment

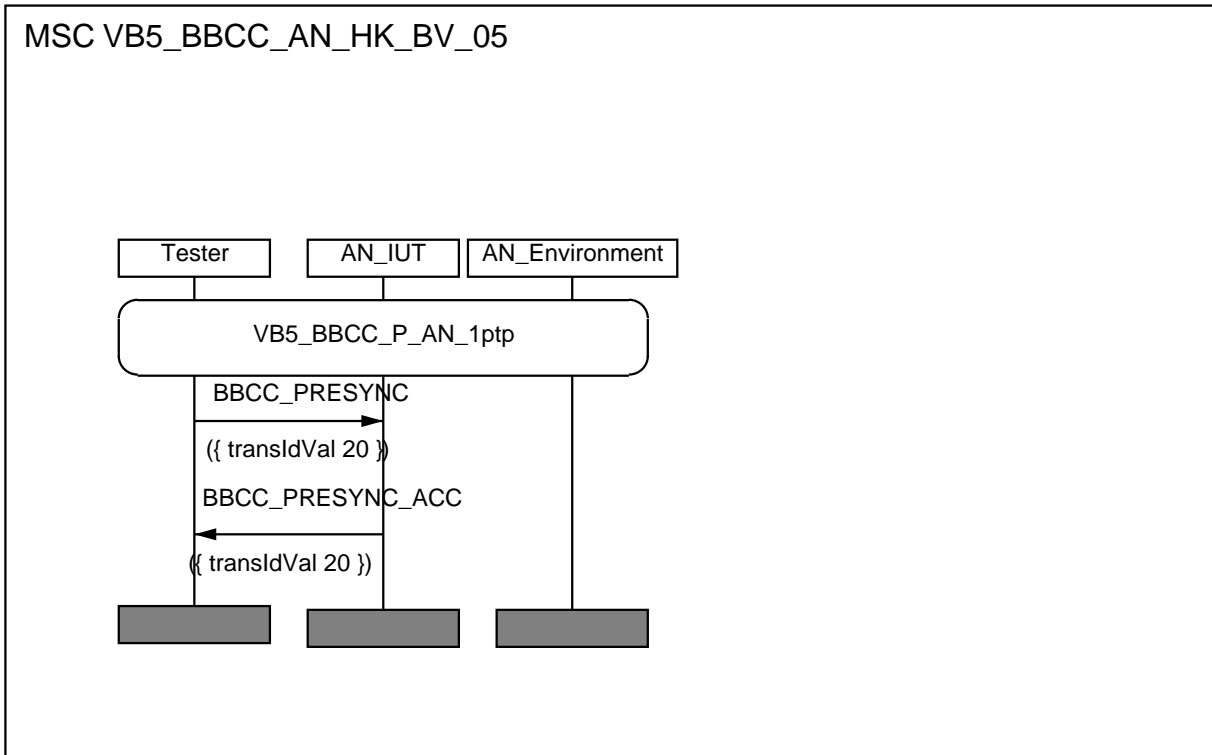


Figure 70

VB5_BBCC_AN_HK_BV_06	Reference EN 301 217-1 [3]: 13.6.4.3, 13.6.1.5.5
Purpose	Check BBCC pre-sync reject procedure upon Connection Control Function decision
Test description	The tester issues a BBCC_PRESYNC PDU with mandatory parameters. The Connection Control Function rejects the request
Pass criteria	Check that the tester is receiving a BBCC_PRESYNC_REJ PDU within T_BBCCPresync time
Selection	PIX_BBCC_PRESYNC_REJ true
Preamble	P_AN_1ptp
Postamble	None
Additional testing	meeBBCCPresyncInd is sent to AN environment

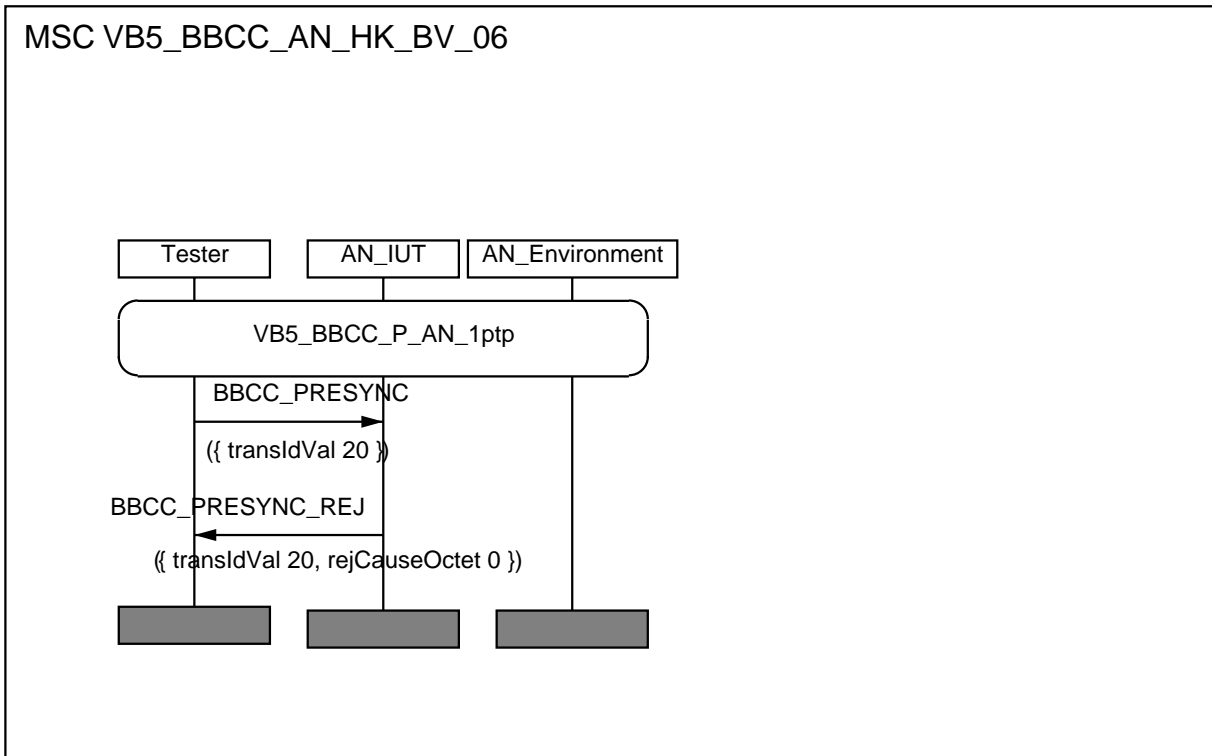


Figure 71

VB5_BBCC_AN_HK_BV_07	Reference EN 301 217-1 [3]: 13.6.4.6, 13.6.1.5.5
Purpose	Check BBCC restart procedure
Test description	The tester issues a BBCC_PRESYNC PDU with mandatory parameters. Then the tester is receiving a BBCC_PRESYNC_REJ PDU within T_BBCCPresync time, because the Connection Control Function rejects the request. The tester issues a BBCC_RESET PDU with mandatory parameters
Pass criteria	Check that the tester is receiving a BBCC_RESET_ACC PDU within T_BBCCReset time
Selection	PIX_BBCC_PRESYNC_REJ true
Preamble	P_AN_1ptp
Postamble	None
Additional testing	meeBBCCPresyncInd is sent to AN environment, followed by ceeBBCCResetInd

MSC VB5_BBCC_AN_HK_BV_07

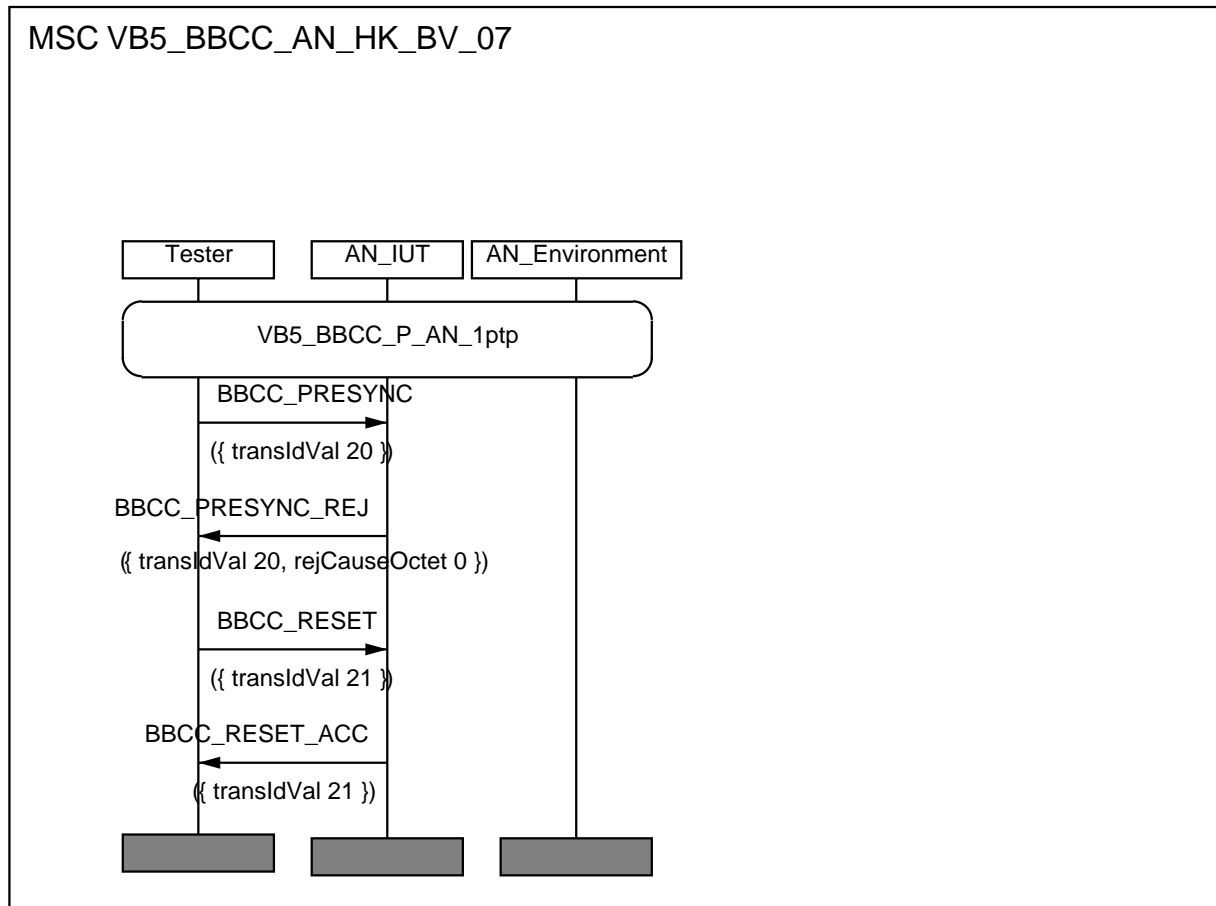


Figure 72

VB5_BBCC_AN_HK_BI_01	Reference EN 301 217-1 [3]: 13.6.4.2.2
Purpose	Check connection state after AN fault procedure
Test description	The tester issues an implicit send to cause the IUT to initiate an AN fault procedure. The tester is receiving AN_FAULT PDU containing mandatory parameters. Then the tester answers with AN_FAULT_ACC PDU within ANFault time then sends MODIFY PDU
Pass criteria	Check that the tester is receiving neither MODIFY_ACC nor MODIFY_REJ PDU within T_Modify time meaning the MODIFY is ignored
Selection	None
Preamble	P_AN_1ptp
Postamble	None
Additional testing	None

MSC VB5_BBCC_AN_HK_BI_01

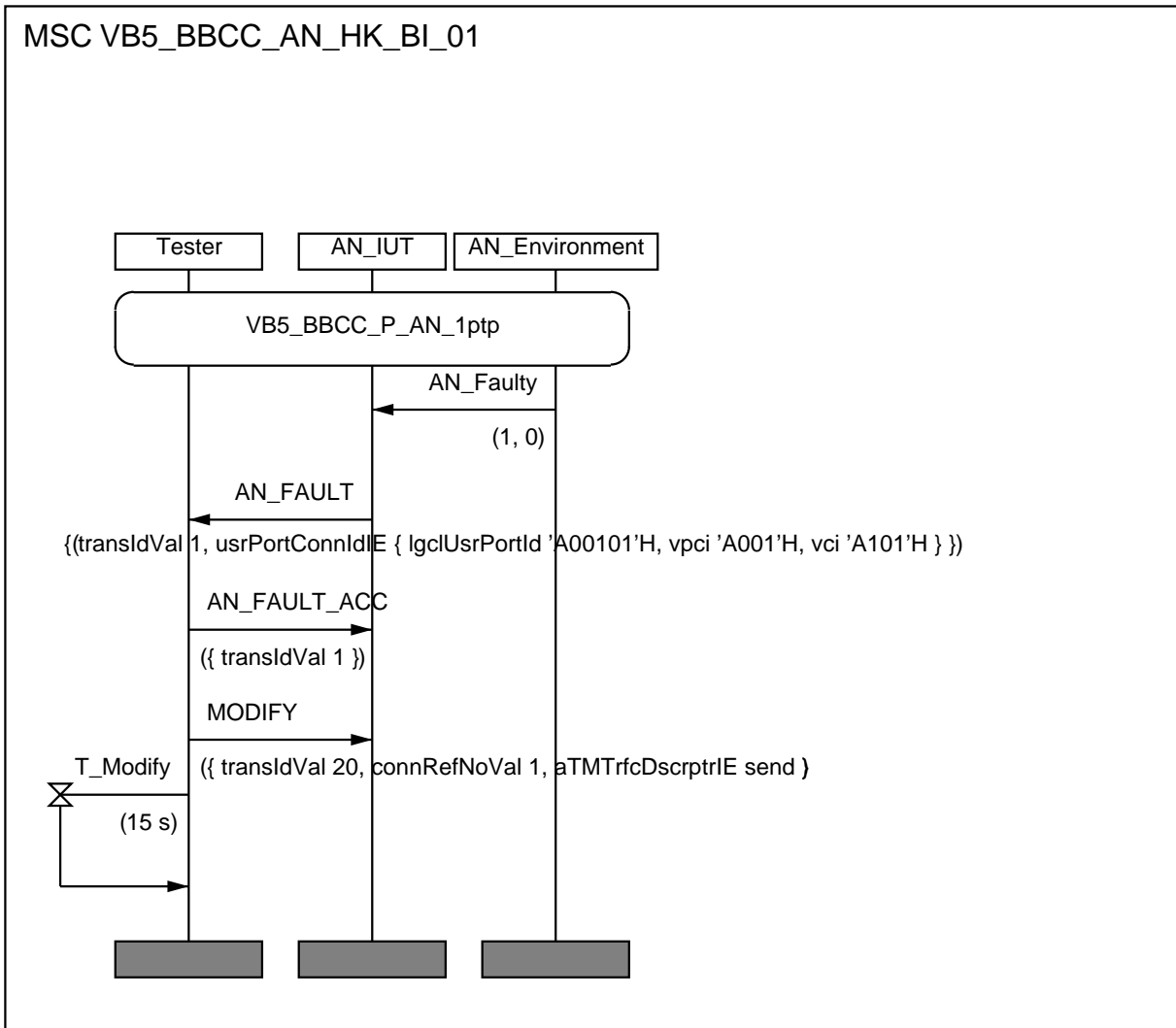


Figure 73

VB5_BBCC_AN_HK_BI_02	Reference EN 301 217-1 [3]: 13.5.11.2, 14.3.3.3
Purpose	Check Reset Connection at User port for an unknown VPCI-VCI
Test description	The tester issues a BBCC_RESET PDU with mandatory parameters
Pass criteria	Check that the tester is receiving a BBCC_RESET_REJ PDU within T_BBCCReset time, including reject cause: "Invalid user port VPCI"
Selection	None
Preamble	P_AN_start
Postamble	None
Additional testing	ceeBBCCResetInd is sent to AN environment

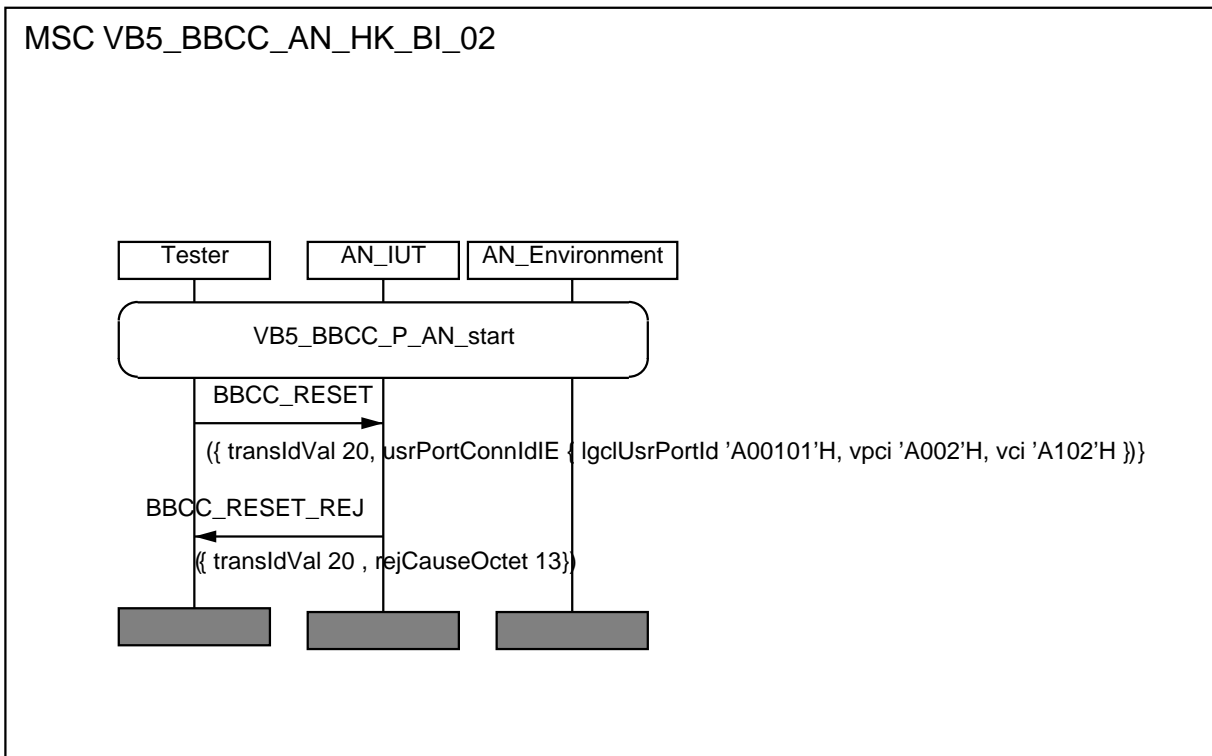


Figure 74

6.1.8 Common Error Handling (CEH) procedure

6.1.8.1 Error Handling on Message Header

This subclause includes the checking of miscellaneous protocol error detections by the IUT, the errors being provoked by the tester.

VB5_BBCC_AN_CEH_BI_01	Reference EN 301 217-1 [3]: 13.6.1.5.1
Purpose	Check detection of wrong protocol discriminator
Test description	The tester sends BBCC_RESET PDU to the IUT, with protocol discriminator set to invalid value (value "AA"H is used)
Pass criteria 1	Check that the tester is not receiving BBCC_RESET_ACK PDU, meaning that the PDU is discarded
Test description	The tester now sends BBCC_RESET PDU to the IUT, with protocol discriminator set to valid value (value "49"H)
Pass criteria 2	Check that the tester is receiving BBCC_RESET_ACK PDU, meaning that the previous PDU was discarded properly
Selection	None
Preamble	P_AN_start
Postamble	None
Additional testing	meeErrorInd is sent to AN environment when wrong protocol discriminator is detected

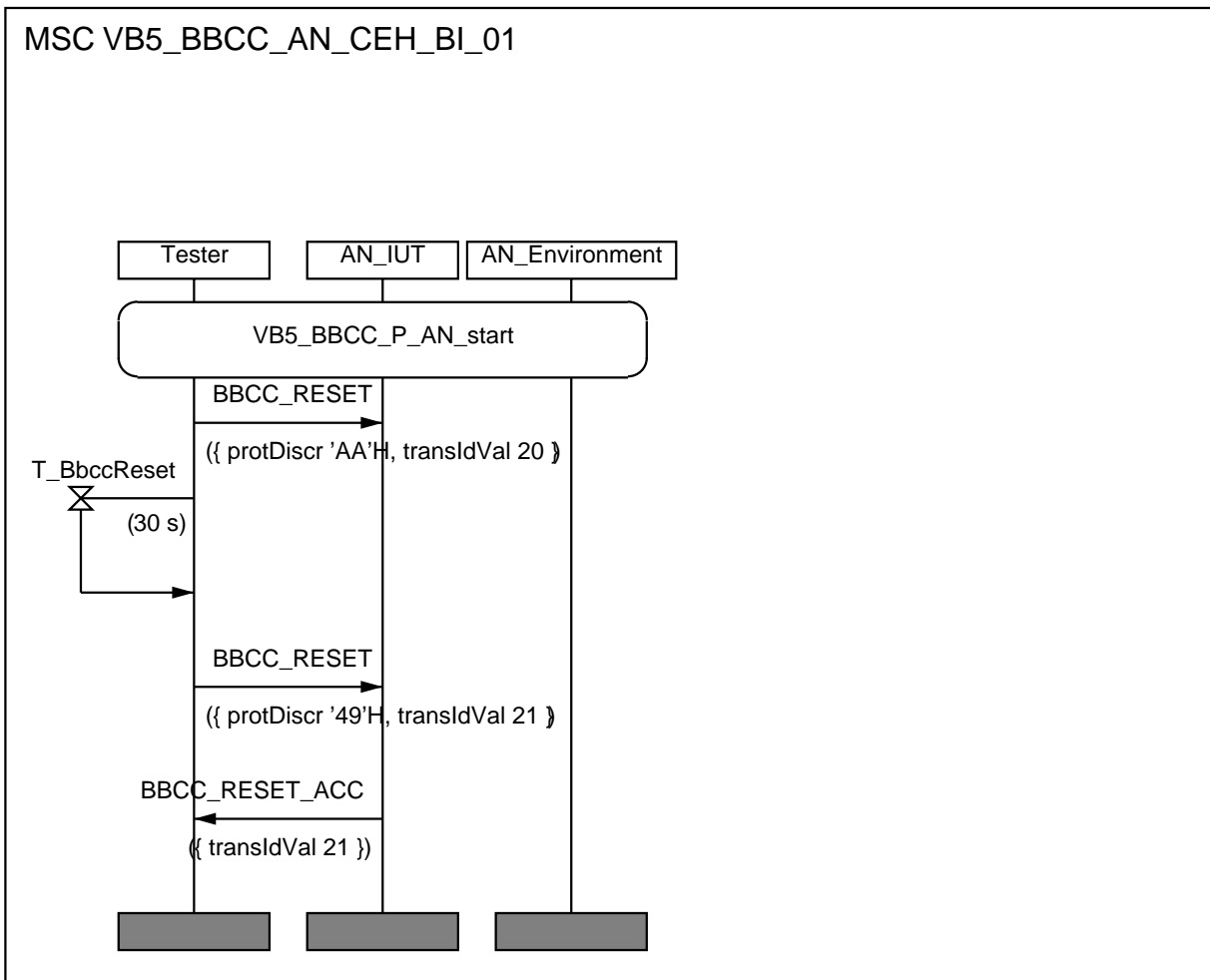


Figure 75

VB5_BBCC_AN_CEH_BI_02	Reference EN 301 217-1 [3]: 13.6.1.5.1
Purpose	Check detection of wrong transaction identifier format
Test description	The tester sends BBCC_RESET PDU to the IUT, with bits 5 to 8 of element octet 1 are different from 0000 (set to 1010)
Pass criteria 1	Check that the tester is not receiving BBCC_RESET_ACK PDU, meaning that the PDU is discarded
Test description	The tester now sends BBCC_RESET PDU to the IUT, with correct transaction identifier
Pass criteria 2	Check that the tester is receiving BBCC_RESET_ACK PDU, meaning that the previous PDU was discarded properly
Selection	None
Preamble	P_AN_start
Postamble	None
Additional testing	meeErrorInd is sent to AN environment when wrong transaction identifier format is detected

MSC VB5_BBCC_AN_CEH_BI_02

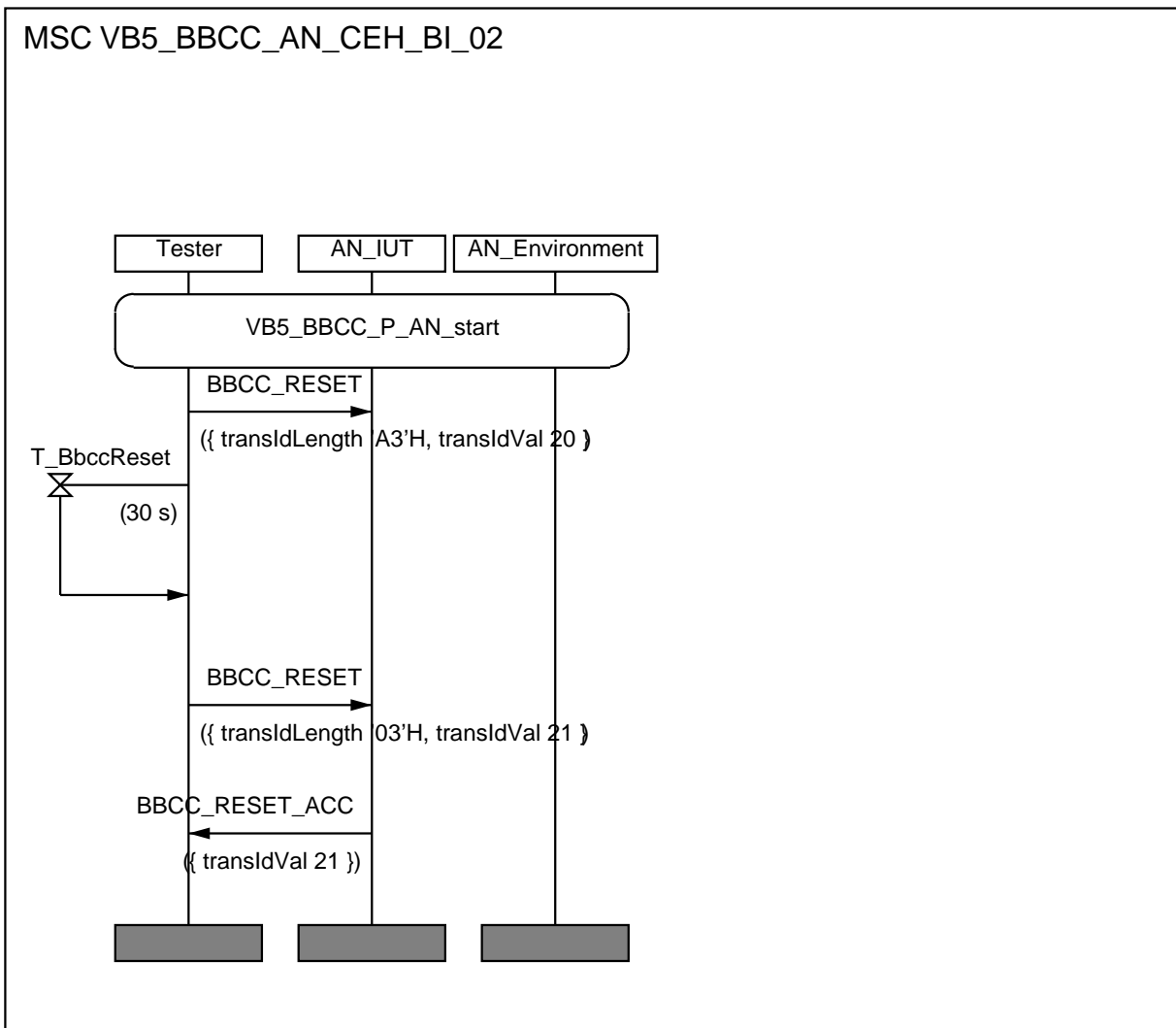


Figure 76

VB5_BBCC_AN_CEH_BI_03	Reference EN 301 217-1 [3]: 13.6.1.5.1
Purpose	Check detection of wrong length of transaction identifier
Test description	The tester sends BBCC_RESET PDU to the IUT, with bits 1 to 4 of element octet 1 are different from length = 3 (set to 1010)
Pass criteria 1	Check that the tester is not receiving BBCC_RESET_ACK PDU, meaning that the PDU is discarded
Test description	The tester now sends BBCC_RESET PDU to the IUT, with correct length of transaction identifier
Pass criteria 2	Check that the tester is receiving BBCC_RESET_ACK PDU, meaning that the previous PDU was discarded properly
Selection	None
Preamble	P_AN_start
Postamble	None
Additional testing	meeErrorInd is sent to AN environment when wrong length off transaction identifier format is detected

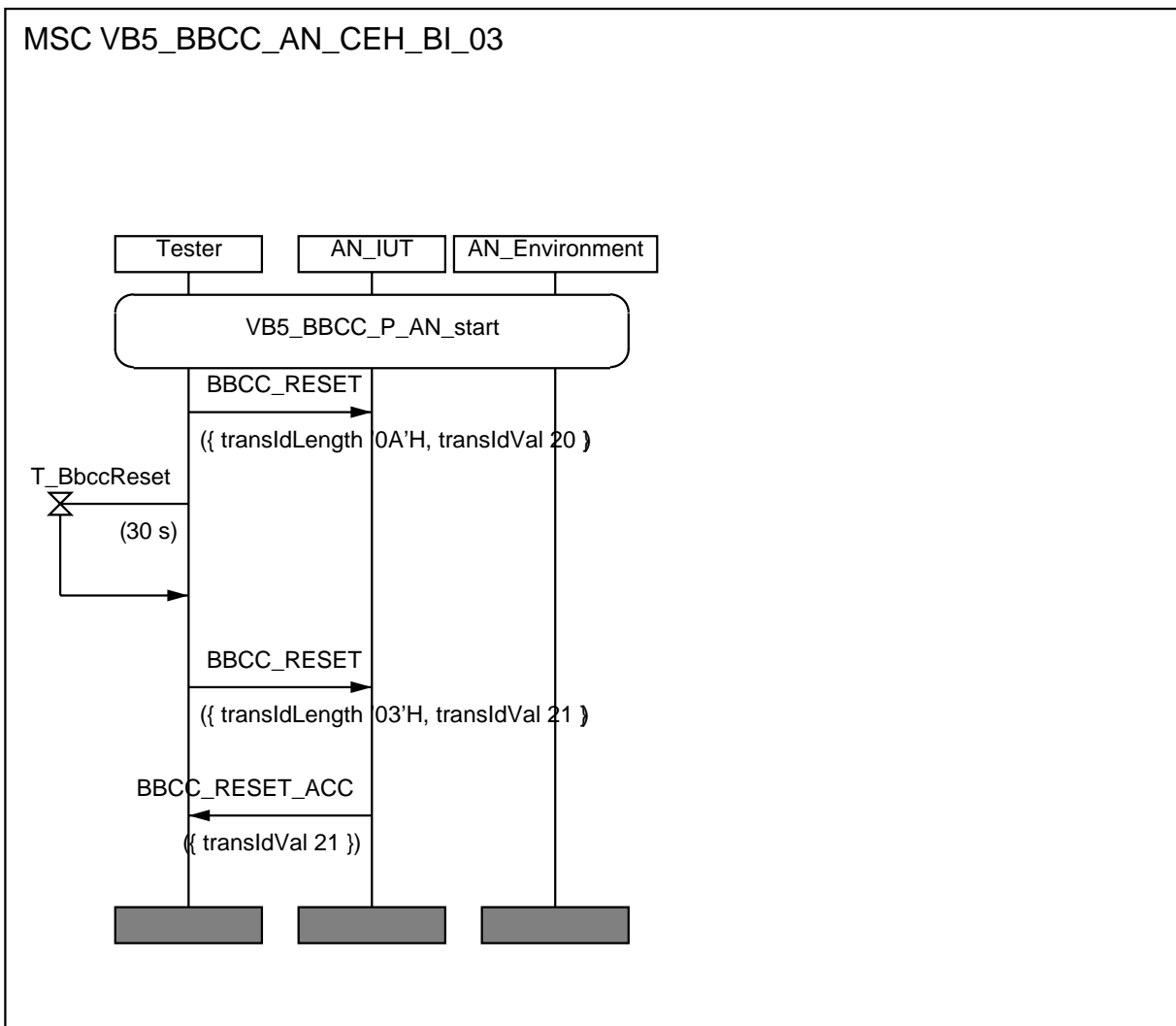


Figure 77

VB5_BBCC_AN_CEH_BI_04	Reference EN 301 217-1 [3]: 13.6.1.5.1
Purpose	Check detection of a message too short
Test description	The tester sends BBCC_RESET PDU to the IUT, with data truncated (common message info minus the last byte giving the least significant octet of the length, no info element)
Pass criteria 1	Check that the tester is not receiving BBCC_RESET_ACK PDU, meaning that the PDU is discarded
Test description	The tester now sends BBCC_RESET PDU to the IUT, with correct length and parameters
Pass criteria 2	Check that the tester is receiving BBCC_RESET_ACK PDU, meaning that the previous PDU was discarded properly
Selection	None
Preamble	P_AN_start
Postamble	None
Additional testing	meeErrorInd is sent to AN environment when wrong length of message is detected

MSC VB5_BBCC_AN_CEH_BI_04

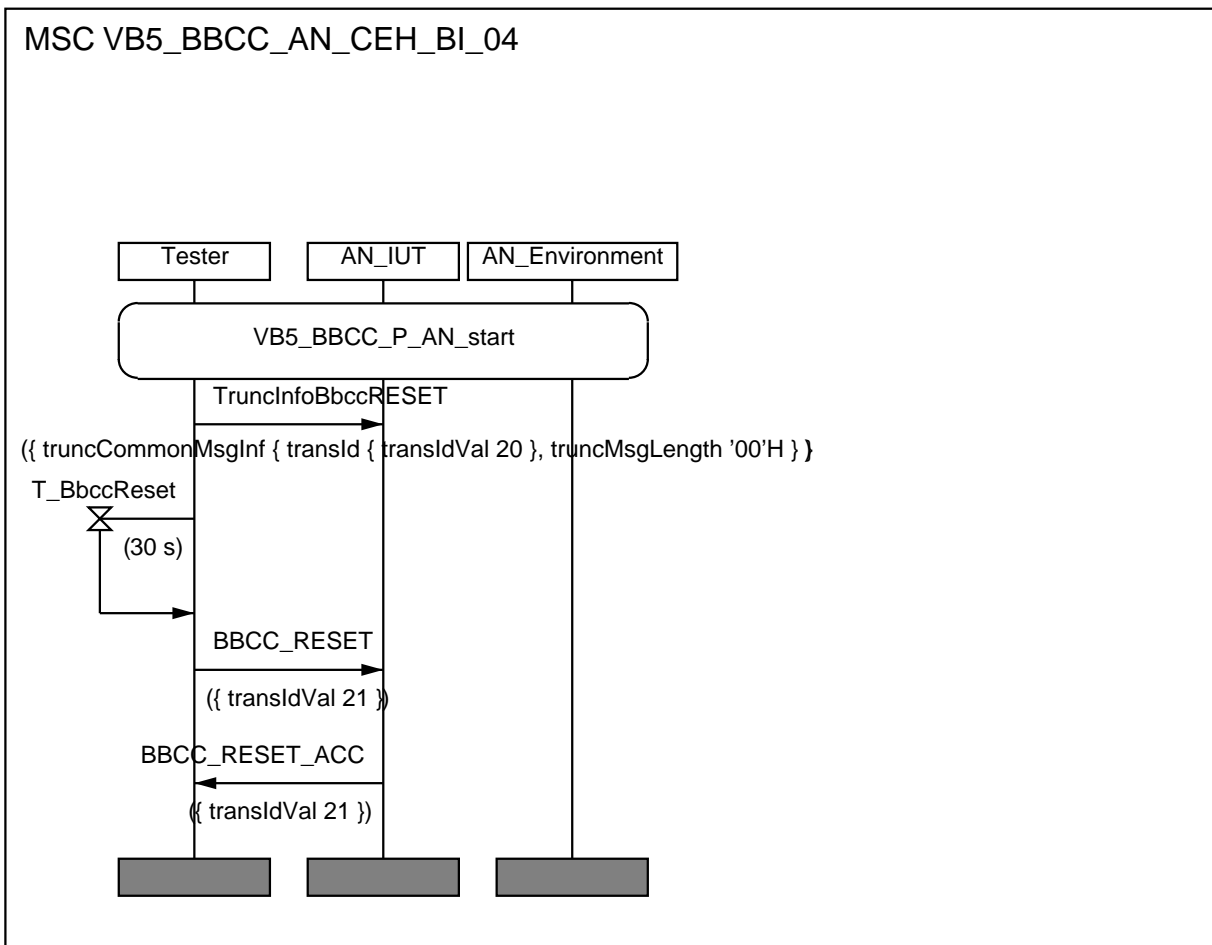


Figure 78

VB5_BBCC_AN_CEH_BI_05	Reference EN 301 217-1 [3]: 13.6.1.5.1
Purpose	Check detection of a wrong transaction identifier value
Test description	The tester issues an implicit send to cause the IUT to initiate a AN_FAULT procedure. The tester is receiving AN_FAULT PDU then it answers with AN_FAULT_ACC PDU including a wrong transaction identifier value
Pass criteria	Check that the tester is receiving a second AN_FAULT PDU, meaning that the AN_FAULT_ACC PDU was discarded and a time out on AN_FAULT_ACC occurred
Selection	None
Preamble	P_AN_1ptp
Postamble	None
Additional testing	

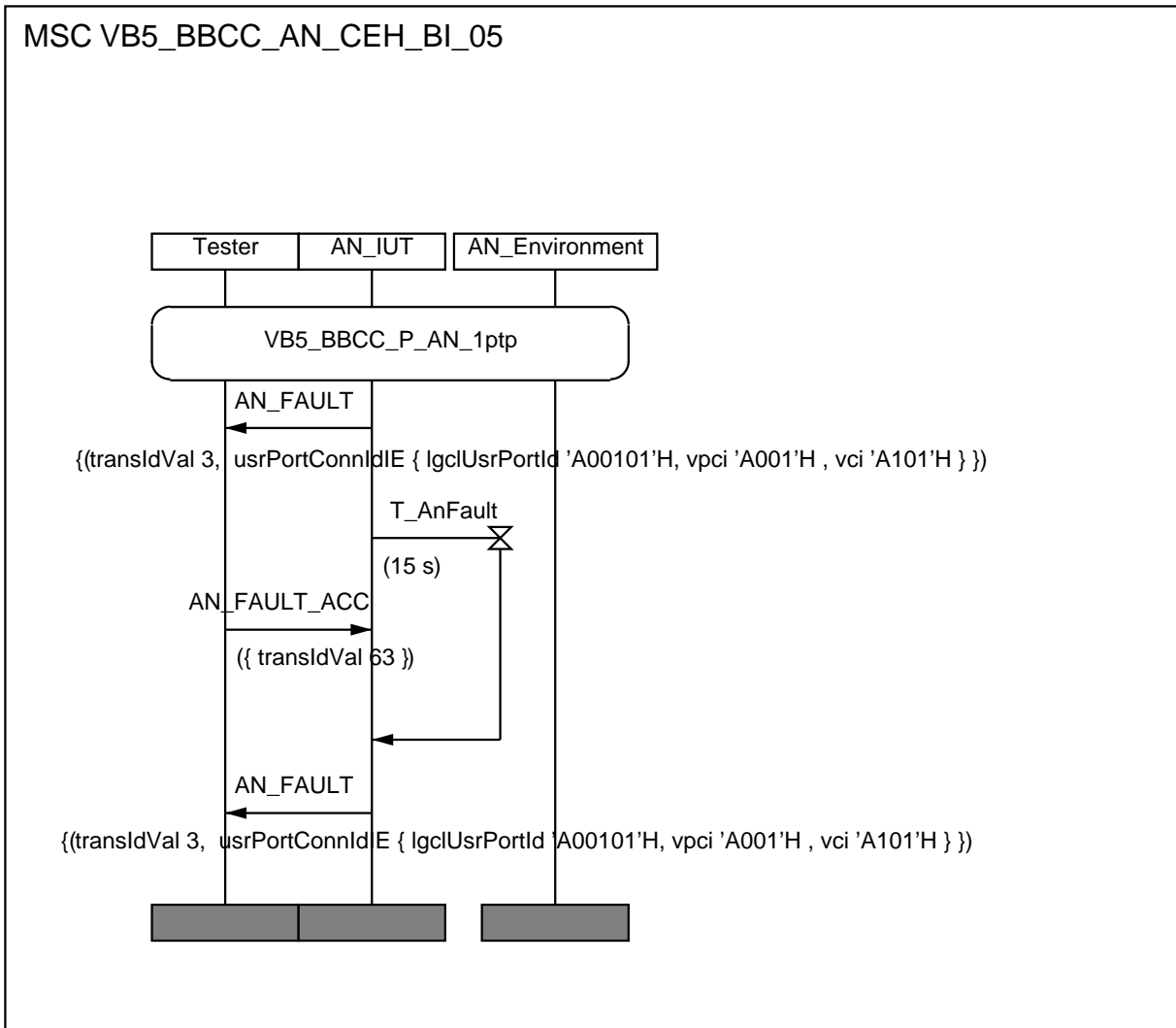


Figure 79

VB5_BBCC_AN_CEH_BI_06	Reference EN 301 217-1 [3]: 13.6.1.5.1
Purpose	Check detection of a wrong transaction identifier flag
Test description	The tester sends BBCC_RESET PDU to the IUT, with transaction identifier flag set to 1 as for an ACC
Pass criteria 1	Check that the tester is not receiving BBCC_RESET_ACC PDU, meaning that the PDU is discarded
Test description	The tester now sends BBCC_RESET PDU to the IUT, with correct parameters
Pass criteria 2	Check that the tester is receiving BBCC_RESET_ACC PDU, meaning that the previous PDU was discarded properly
Selection	None
Preamble	P_AN_start
Postamble	None
Additional testing	meeErrorInd is sent to AN environment when wrong transaction identifier flag is detected

MSC VB5_BBCC_AN_CEH_BI_06

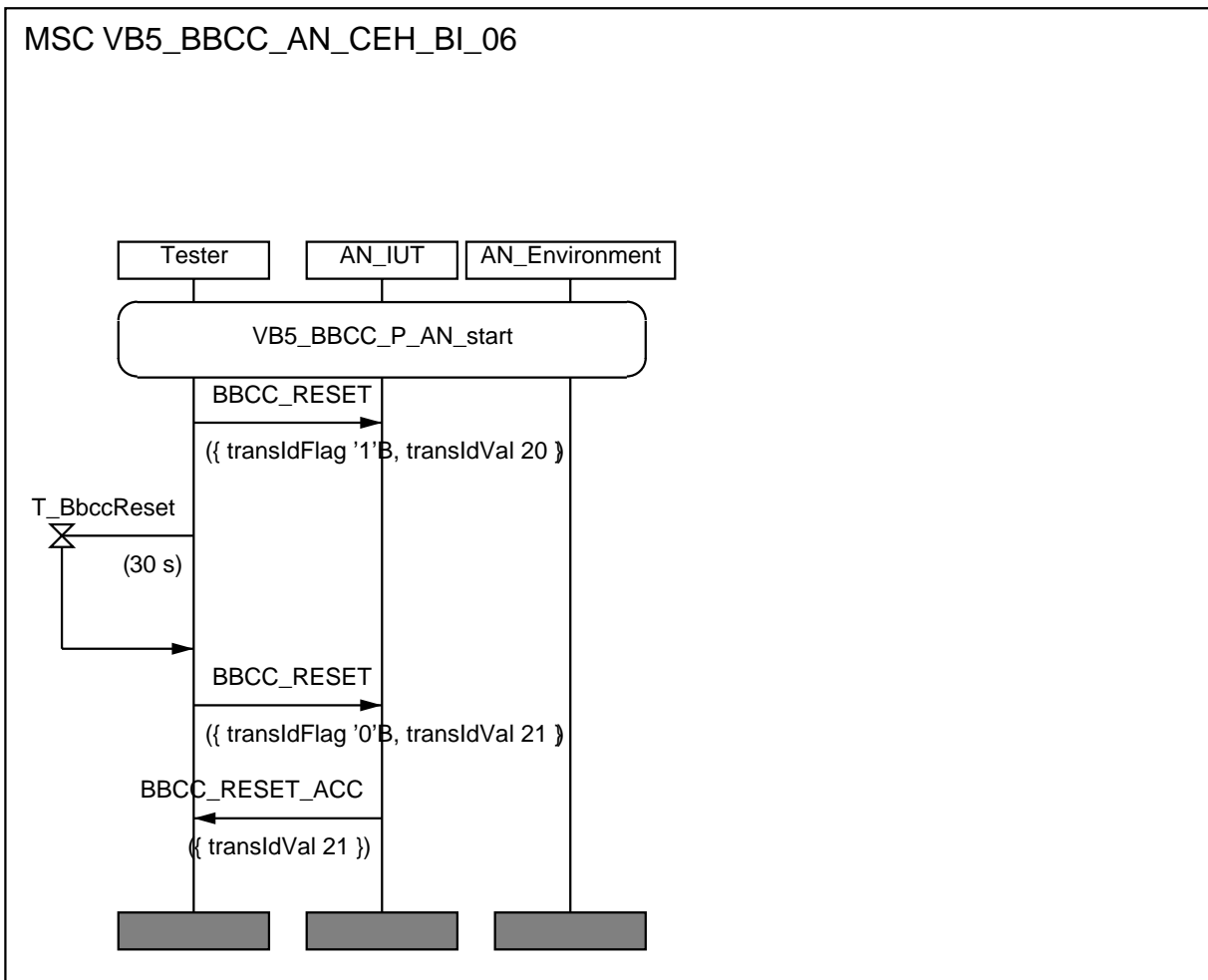


Figure 80

VB5_BBCC_AN_CEH_BI_07	Reference EN 301 217-1 [3]: 13.6.1.5.1, EN 301 005-1 [1]: 13.3.1.5.1
Purpose	Check detection of a wrong message type
Test description	The tester sends an unknown PDU to the IUT (message type=AB)
Pass criteria	Check that the tester is receiving BBCC_PROTOCOL_ERROR , with Protocol error cause value = message type unrecognized, meaning that the PDU is unknown
Selection	None
Preamble	P_AN_start
Postamble	None
Additional testing	meeErrorInd is sent to AN environment when wrong message type is detected

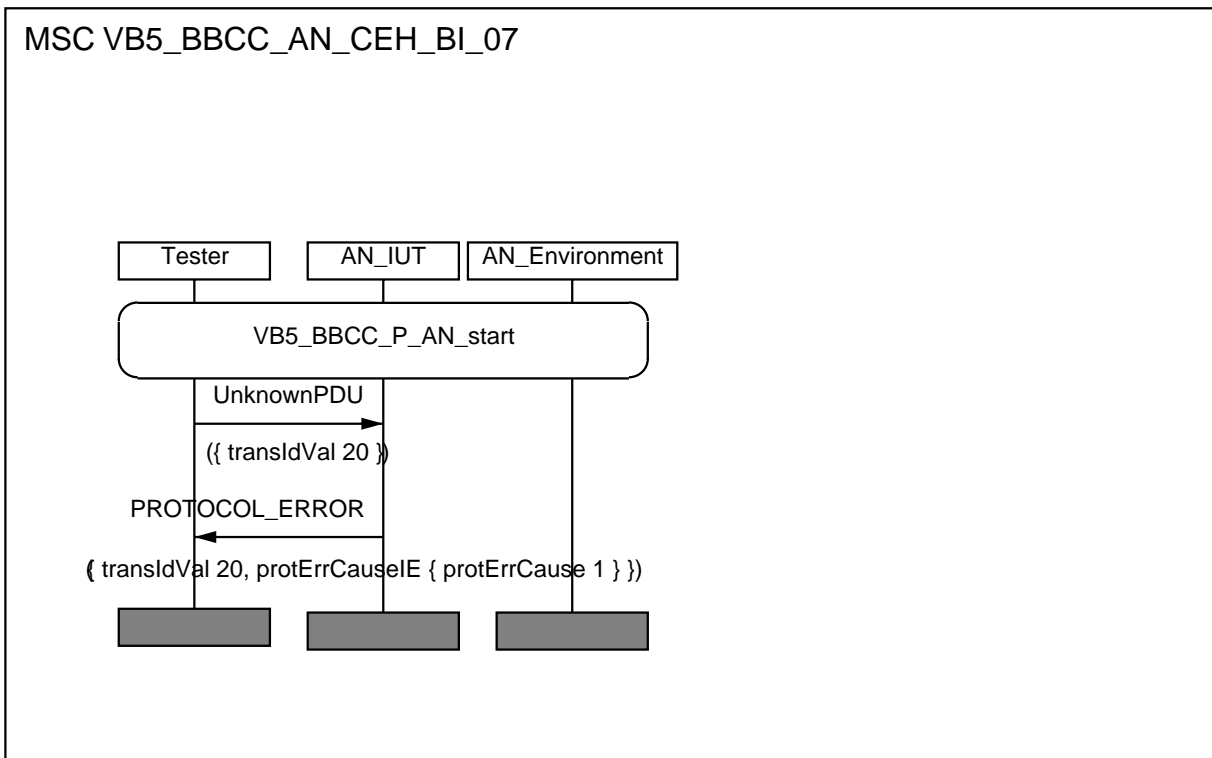


Figure 81

6.1.8.2 Error Handling on Information Element (IE)

VB5_BBCC_AN_CEH_BI_11	Reference EN 301 217-1 [3]: 13.6.1.5.1
Purpose	Check detection of a missing Information Element (IE)
Test description	The tester sends BBCC_RESET PDU to the IUT, which has no IE (deletion of IE "service port connection identifier"), msg length null
Pass criteria	Check that the tester is receiving BBCC_PROTOCOL_ERROR , with Protocol error cause value = mandatory IE missing, meaning that the PDU is incomplete
Selection	None
Preamble	P_AN_start
Postamble	None
Additional testing	meeErrorInd is sent to AN environment when error is detected

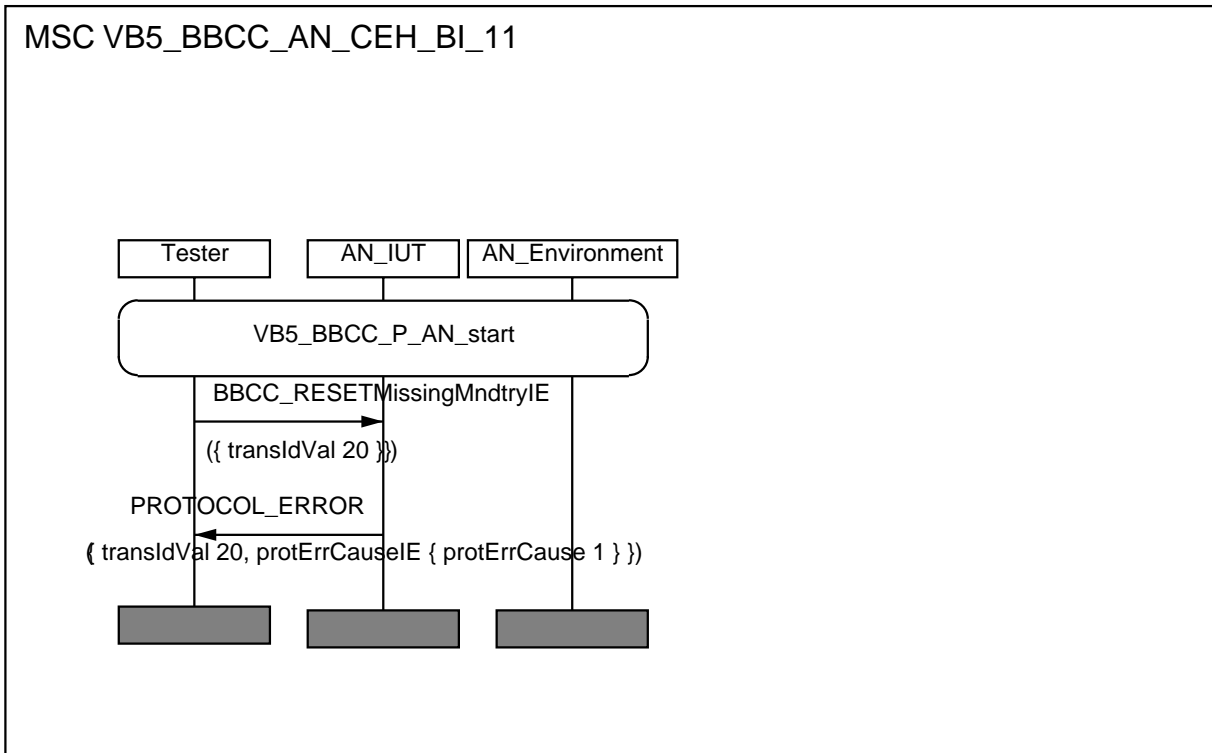


Figure 82

VB5_BBCC_AN_CEH_BI_12	Reference EN 301 217-1 [3]: 13.6.1.5.1
Purpose	Check discarding of an unknown Information Element (IE)
Test description	The tester sends BBCC_RESET PDU to the IUT, which has an additional unknown IE
Pass criteria	Check that the tester is receiving BBCC_RESET_ACC , meaning that the IUT has treated correctly the valid information and has discarded the unknown IE
Selection	None
Preamble	P_AN_start
Postamble	None
Additional testing	ceeBBCCResetInd is sent to AN environment

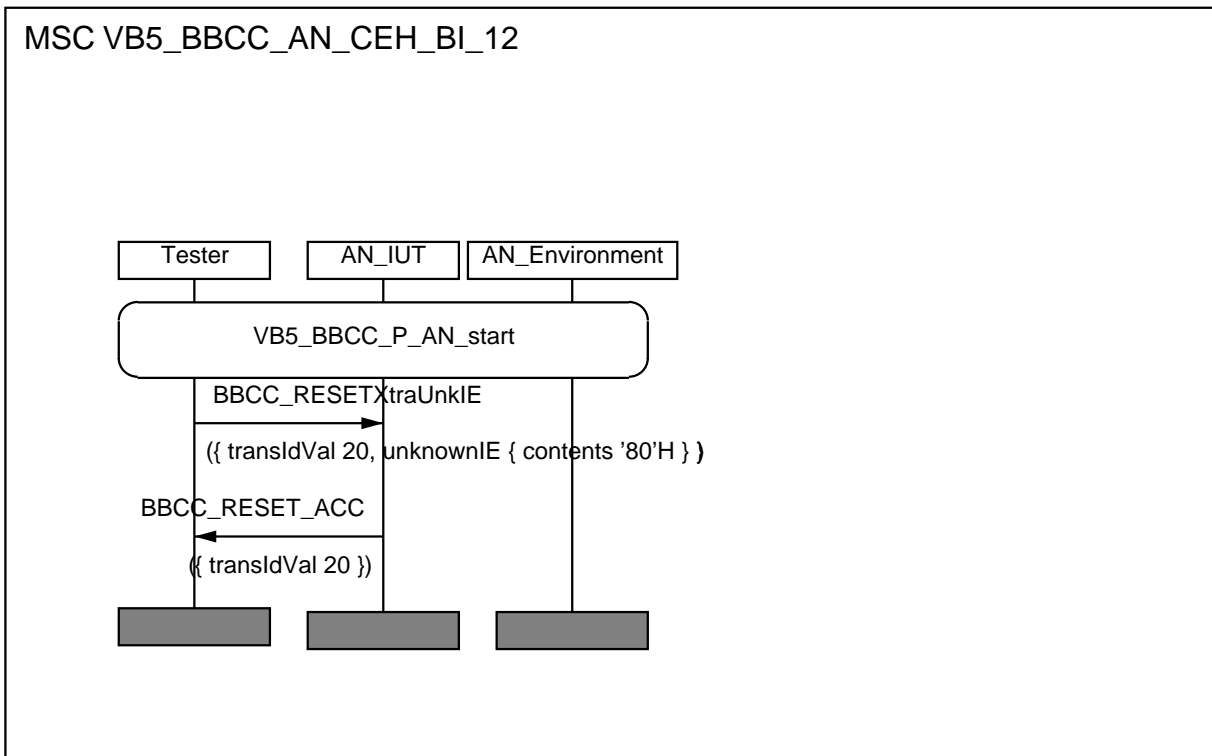


Figure 83

VB5_BBCC_AN_CEH_BI_13	Reference EN 301 217-1 [3]: 13.6.1.5.1
Purpose	Check discarding of an Information Element (IE) unexpected recognized
Test description	The tester sends BBCC_RESET PDU to the IUT, which has an IE not allowed in this PDU type
Pass criteria	Check that the tester is receiving BBCC_RESET_ACC , meaning that the IUT has treated correctly the valid information and has discarded the unexpected IE
Selection	None
Preamble	P_AN_start
Postamble	None
Additional testing	ceeBBCCResetInd is sent to AN environment

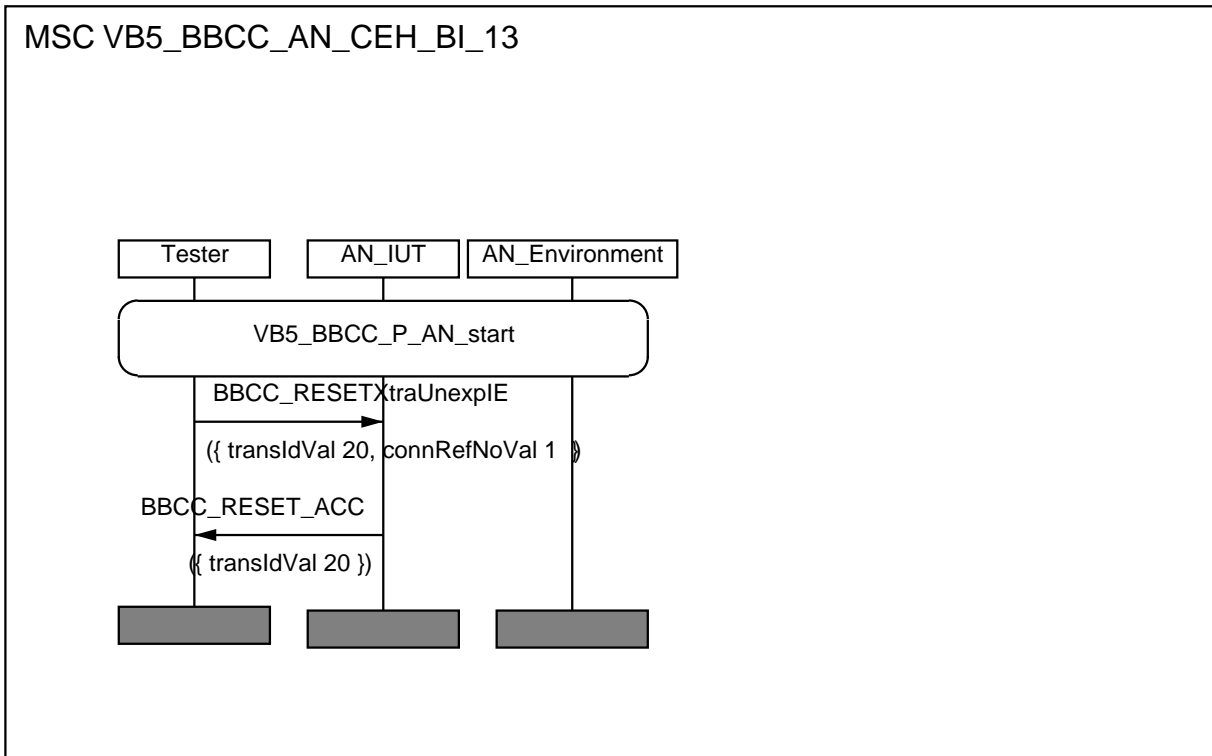


Figure 84

6.2 SN is the IUT

6.2.1 Basic capability tests (CA)

This test verifies the capability of the SN to exchange valid messages with the tester. It consists in starting up the SN BBCC.

Start Up procedure (ST).

VB5_BBCC_SN_ST_CA_01		Reference EN 301 217-1 [3]: 13.6.4.5
Purpose	Check start up of BBCC.	
Test description	The tester issues an implicit send to cause the IUT to start-up the IUT and initialize layer 2	
Pass criteria	Check that the tester is receiving a BBCC_RESET PDU with mandatory parameters	
Selection	None	
Preamble	None	
Postamble	None	
Additional testing	The SN environment receives meeBBCCStartTrafficInd at SAAL establishment, then ceeBBCCResetInd	

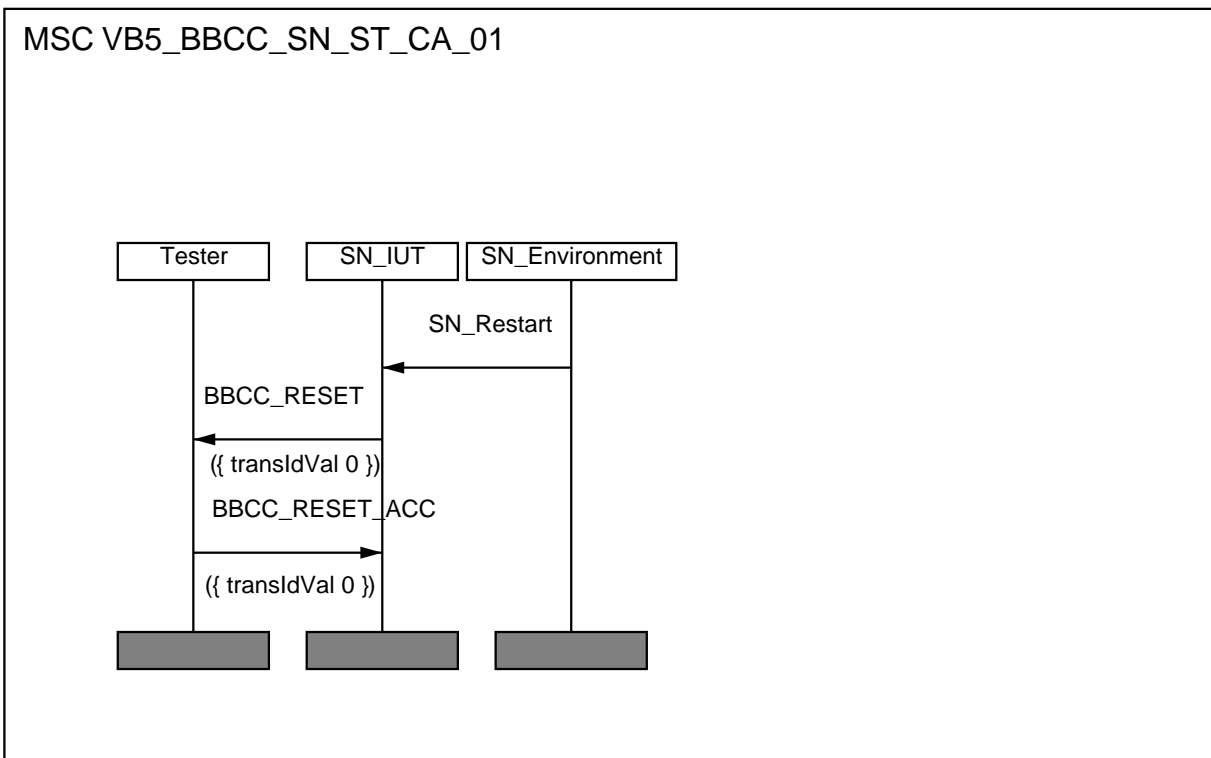


Figure 85

6.2.2 Connection Establishment procedure (CE)

6.2.2.1 Point to Point Connection Establishment procedure

Allocation.

VB5_BBCC_SN_CE_BV_01	Reference EN 301 217-1 [3]: 13.6.2.1.2
Purpose	Check allocation (simple reservation)
Test description	The tester issues an implicit send to cause the IUT to initiate an ALLOC resource procedure for a PtP connection
Pass criteria	Check that the tester is receiving ALLOC PDU containing mandatory parameters.
Selection	None
Preamble	P_SN_start
Postamble	None
Additional testing	None

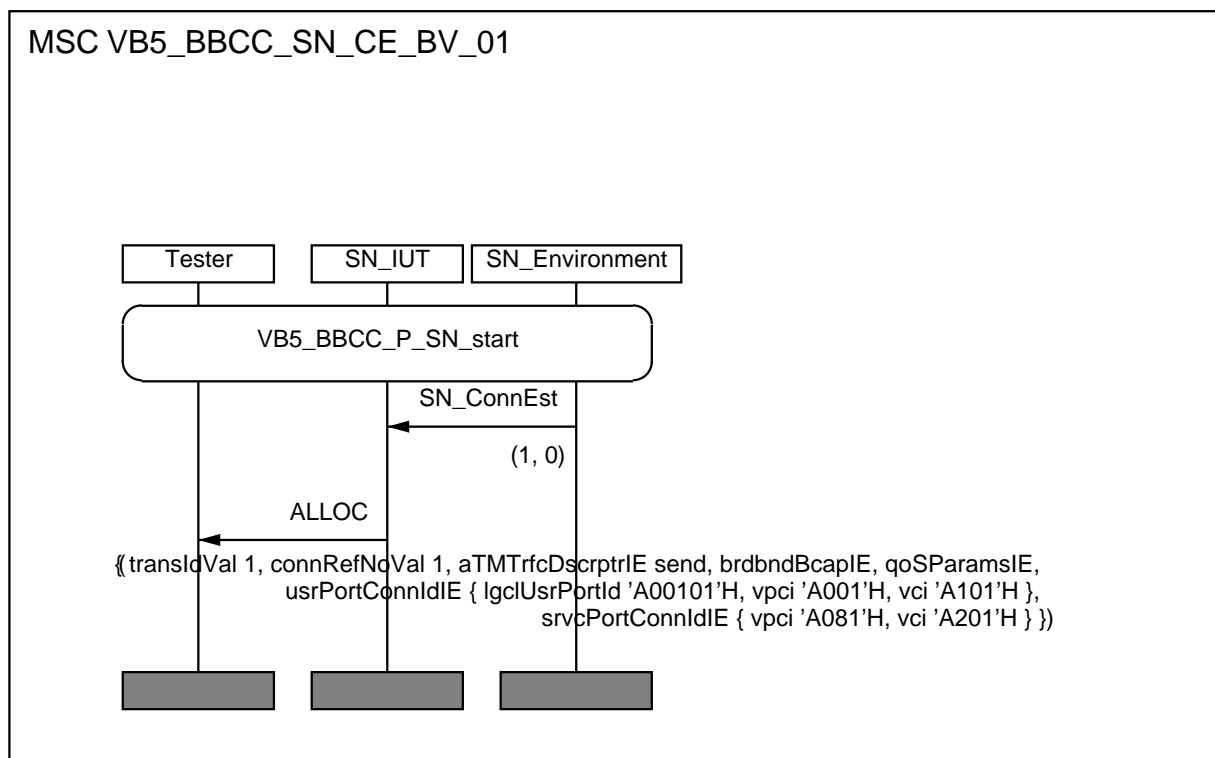


Figure 86

Based on preceding test purpose numbered VB5_BBCC_SN_CE_BV_01, which is using a set of basic mandatory parameters (see MSC for details), the following additional test purposes, based on variation of ALLOC PDU parameters, are defined:

VB5_BBCC_SN_CE_BV_01b	Reference EN 301 217-1 [3]: 13.6.2.1.2
Purpose	Check allocation with ALLOC PDU using Alternate User port VPCI 2
Selection	None

VB5_BBCC_SN_CE_BV_01c	Reference EN 301 217-1 [3]: 13.6.2.1.2
Purpose	Check allocation with ALLOC PDU using Alternate Service port VPCI 1
Selection	None

VB5_BBCC_SN_CE_BV_01d	Reference EN 301 217-1 [3]: 13.6.2.1.2
Purpose	Check allocation with ALLOC PDU using ABR setup parameter
Selection	A.26/1: ABR support

VB5_BBCC_SN_CE_BV_01e		Reference EN 301 217-1 [3]: 13.6.2.1.2
Purpose	Check allocation with ALLOC PDU using CDVT descriptor	
Selection	A.28/1: CDVT support	

VB5_BBCC_SN_CE_BV_01f		Reference EN 301 217-1 [3]: 13.6.2.1.2
Purpose	Check allocation with ALLOC PDU using End to end transit delay	
Selection	None	

VB5_BBCC_SN_CE_BV_01g		Reference EN 301 217-1 [3]: 13.6.2.1.2
Purpose	Check allocation with ALLOC PDU using Alternative ATM traffic descriptor	
Selection	A.17/13: Connection characteristic negotiation procedure during connection establishment AND A.29/1: Alternative ATM traffic descriptor	

VB5_BBCC_SN_CE_BV_01h		Reference EN 301 217-1 [3]: 13.6.2.1.2
Purpose	Check allocation with ALLOC PDU using Minimum acceptable ATM traffic descriptor	
Selection	A.17/13: Connection characteristic negotiation procedure during connection establishment AND A.30/1: Minimum acceptable ATM traffic descriptor	

VB5_BBCC_SN_CE_BV_01i		Reference EN 301 217-1 [3]: 13.6.2.1.2
Purpose	Check allocation with ALLOC PDU using OAM traffic descriptor	
Selection	None	

T_Alloc timer test.

VB5_BBCC_SN_CE_TI_01		Reference EN 301 217-1 [3]: 13.6.2.1.2
Purpose	Check T_Alloc timer	
Test description	The tester issues an implicit send to cause the IUT to initiate an ALLOC resource procedure. The tester is receiving ALLOC PDU containing mandatory parameters. The tester does not answer with ALLOC_ACK within T_Alloc time	
Pass criteria	Check that the tester is receiving a second ALLOC PDU containing mandatory parameters within the acceptance time window	
Selection	None	
Preamble	P_SN_start	
Postamble	None	
Additional testing	None	

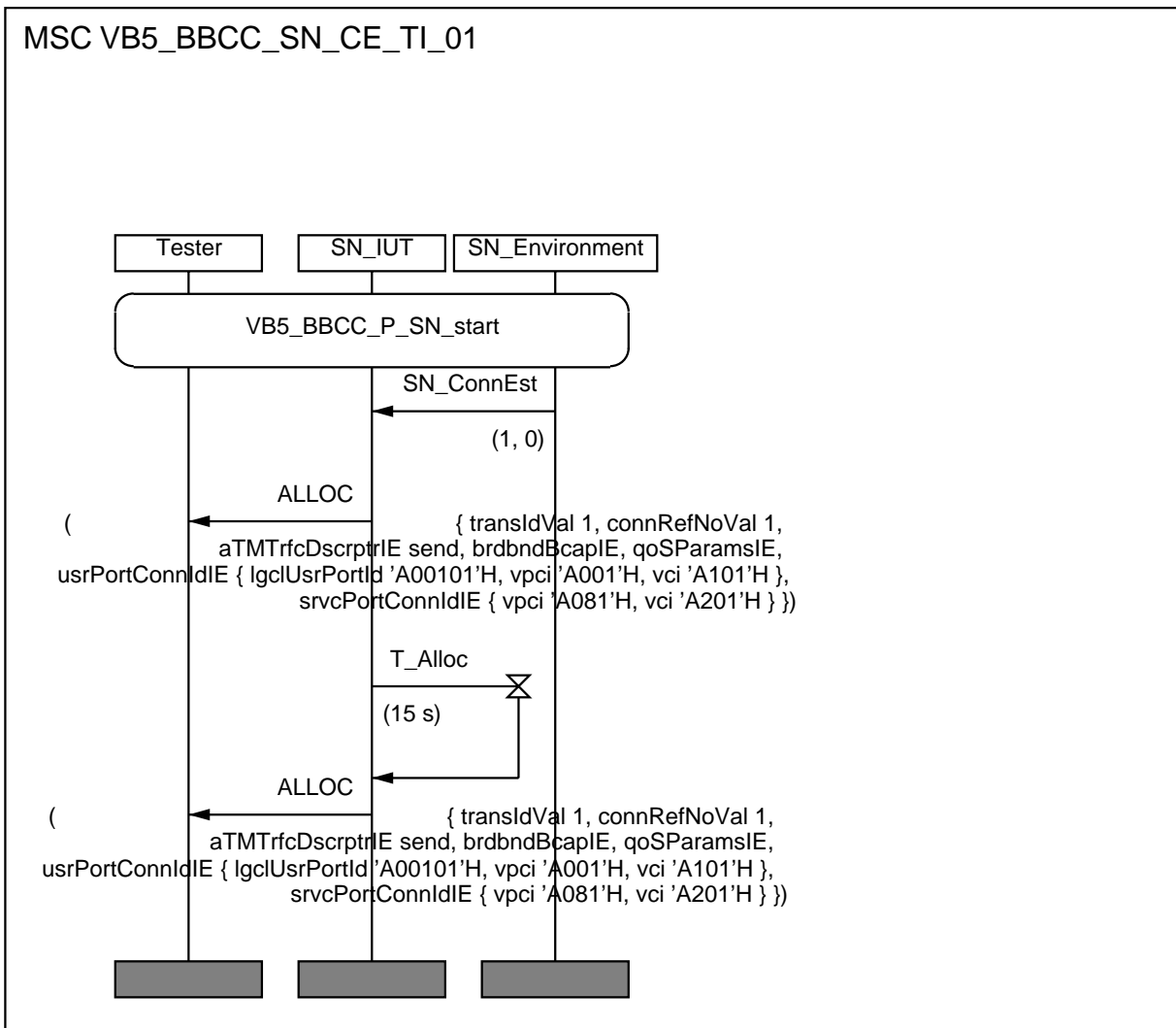


Figure 87

Allocation complete.

VB5_BBCC_SN_CE_BV_02		Reference EN 301 217-1 [3]: 13.6.2.1.2
Purpose	Check Allocation complete, PtP connection, mandatory parameters only	
Test description	The tester issues an implicit send to cause the IUT to initiate an ALLOC procedure. The tester receives ALLOC PDU containing mandatory parameters, then it answers with ALLOC_ACK within T_Alloc time	
Pass criteria	Check that the tester is receiving ALLOC_COMP PDU containing mandatory parameters	
Selection	None	
Preamble	P_SN_start	
Postamble	None	
Additional testing	ceeAllocAccConf is sent to SN environment	

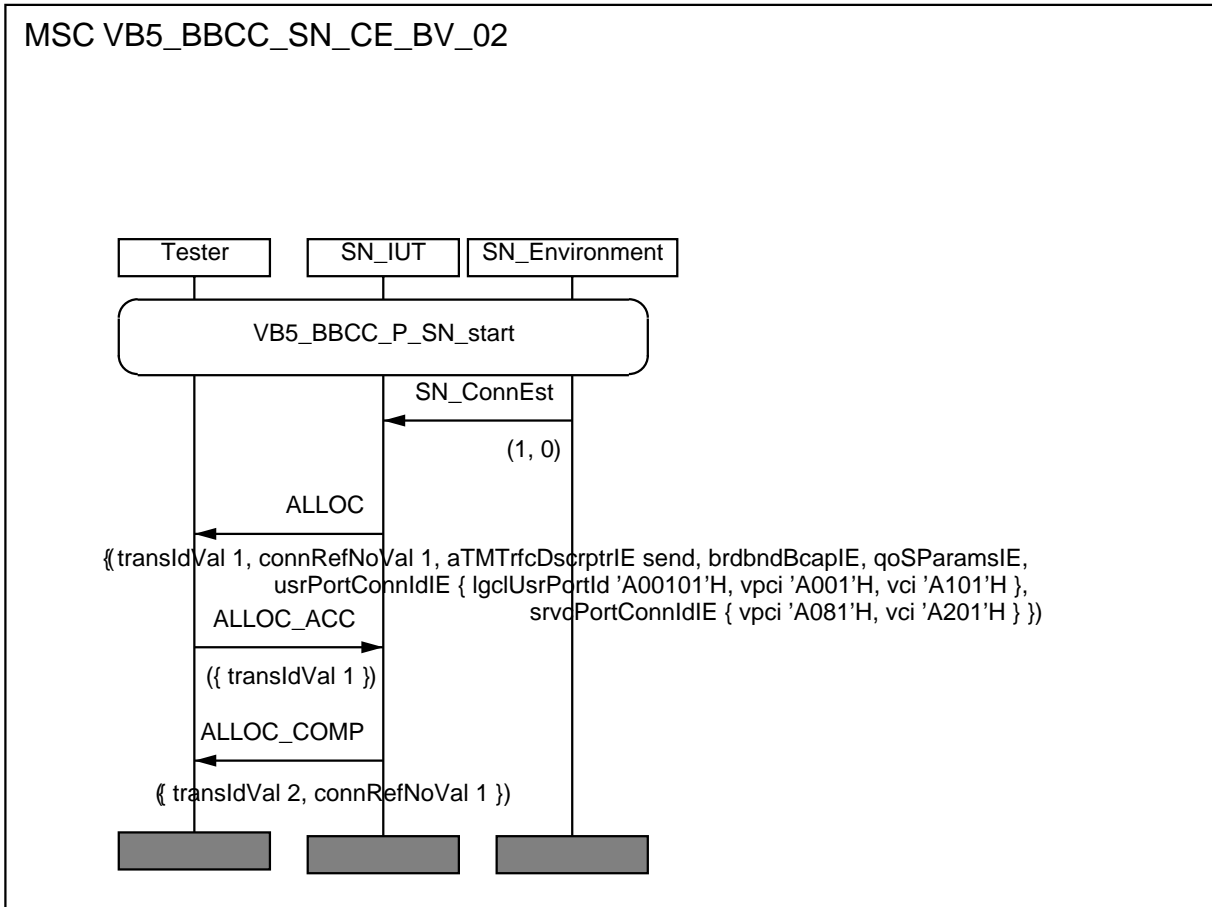


Figure 88

VB5_BBCC_SN_CE_BV_03		Reference EN 301 217-1 [3]: 13.6.2.1.2
Purpose	Check negotiation procedure during Allocation complete, PtP connection	
Test description	The tester issues an implicit send to cause the IUT to initiate an ALLOC procedure. The tester receives ALLOC PDU, then it answers with ALLOC_ACK PDU containing a traffic descriptor and an alternate within T_Alloc time	
Pass criteria	Check that the tester is receiving ALLOC_COMP PDU containing a choice of traffic descriptor parameter, either the proposed one or its alternate	
Selection	A.17/13: Connection characteristic negotiation procedure during connection establishment	
Preamble	P_SN_start	
Postamble	None	
Additional testing	ceeAllocAccConf is sent to SN environment	

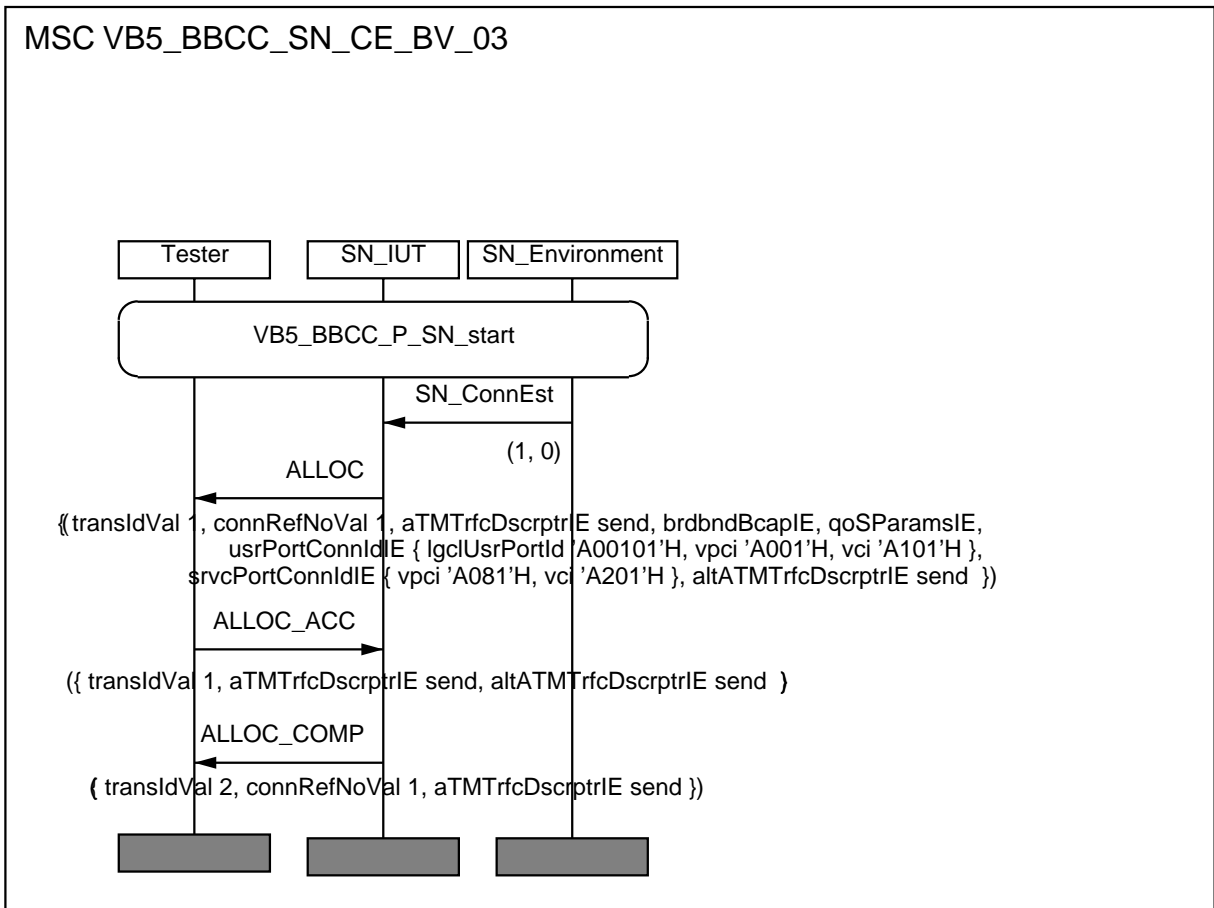


Figure 89

T_AllocComp timer test.

VB5_BBCC_SN_CE_TI_02		Reference EN 301 217-1 [3]: 13.6.2.1.2
Purpose	Check T_AllocComp timer	
Test description	The tester issues an implicit send to cause the IUT to initiate an ALLOC procedure. The tester receives ALLOC PDU containing mandatory parameters then answers with ALLOC_ACC . The tester is receiving ALLOC_COMP PDU containing mandatory parameters. The tester does not answer with ALLOC_COMP ACK within T_Alloc time	
Pass criteria	Check that the tester is receiving a second ALLOC_COMP PDU containing mandatory parameters, within the acceptance time window	
Selection	None	
Preamble	P_SN_start	
Postamble	None	
Additional testing	ceeAllocAccConf is sent to SN environment	

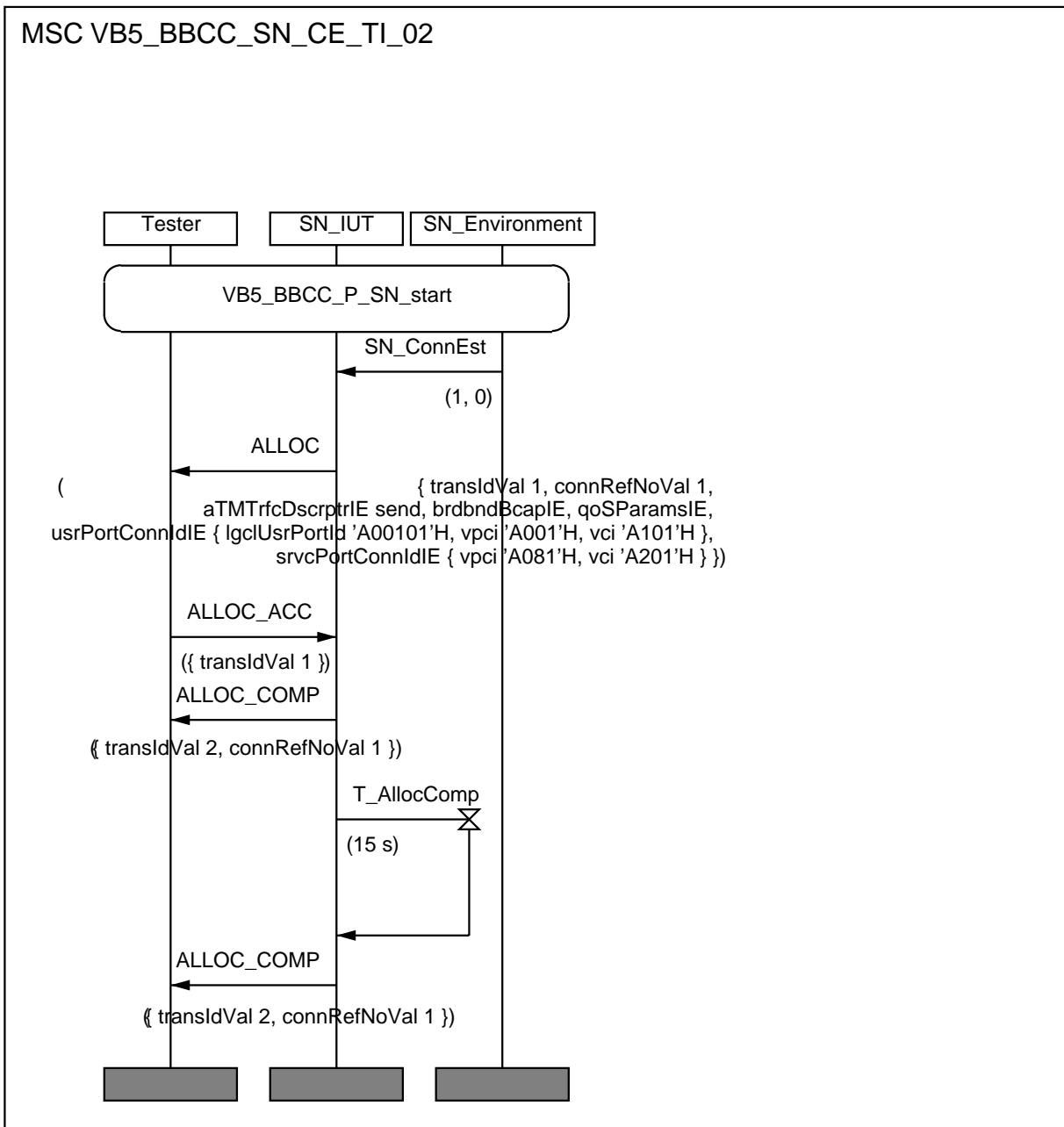


Figure 90

6.2.2.2 Point to Multipoint Connection Establishment procedure

Allocation.

VB5_BBCC_SN_CE_BV_11	Reference EN 301 217-1 [3]: 13.6.2.1.2
Purpose	Check allocation (simple reservation)
Test description	The tester issues an implicit send to cause the IUT to initiate an ALLOC resource procedure for a PtM connection
Pass criteria	Check that the tester is receiving ALLOC PDU containing mandatory parameters
Selection	A.17/5 AND A.17/6: multipoint connection
Preamble	P_SN_start
Postamble	None
Additional testing	None

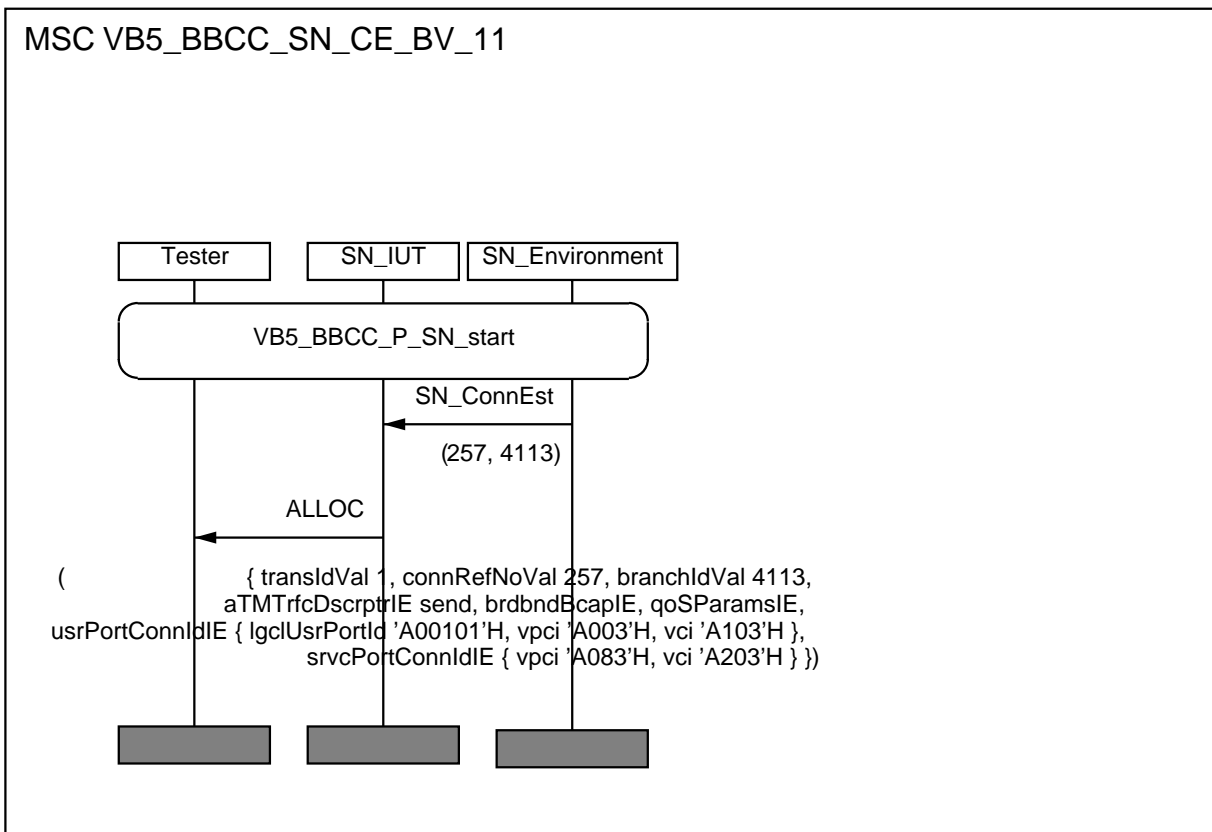


Figure 91

Allocation complete.

VB5_BBCC_SN_CE_BV_12		Reference EN 301 217-1 [3]: 13.6.2.1.2
Purpose	Check Allocation complete, PtM connection	
Test description	The tester issues an implicit send to cause the IUT to initiate an ALLOC procedure. The tester receives ALLOC PDU containing mandatory parameters then answers with ALLOC_ACC	
Pass criteria	Check that the tester is receiving ALLOC_COMP PDU containing mandatory parameters	
Selection	A.17/5 AND A.17/6: multipoint connection	
Preamble	P_SN_start	
Postamble	None	
Additional testing	ceeAllocAccConf is sent to SN environment	

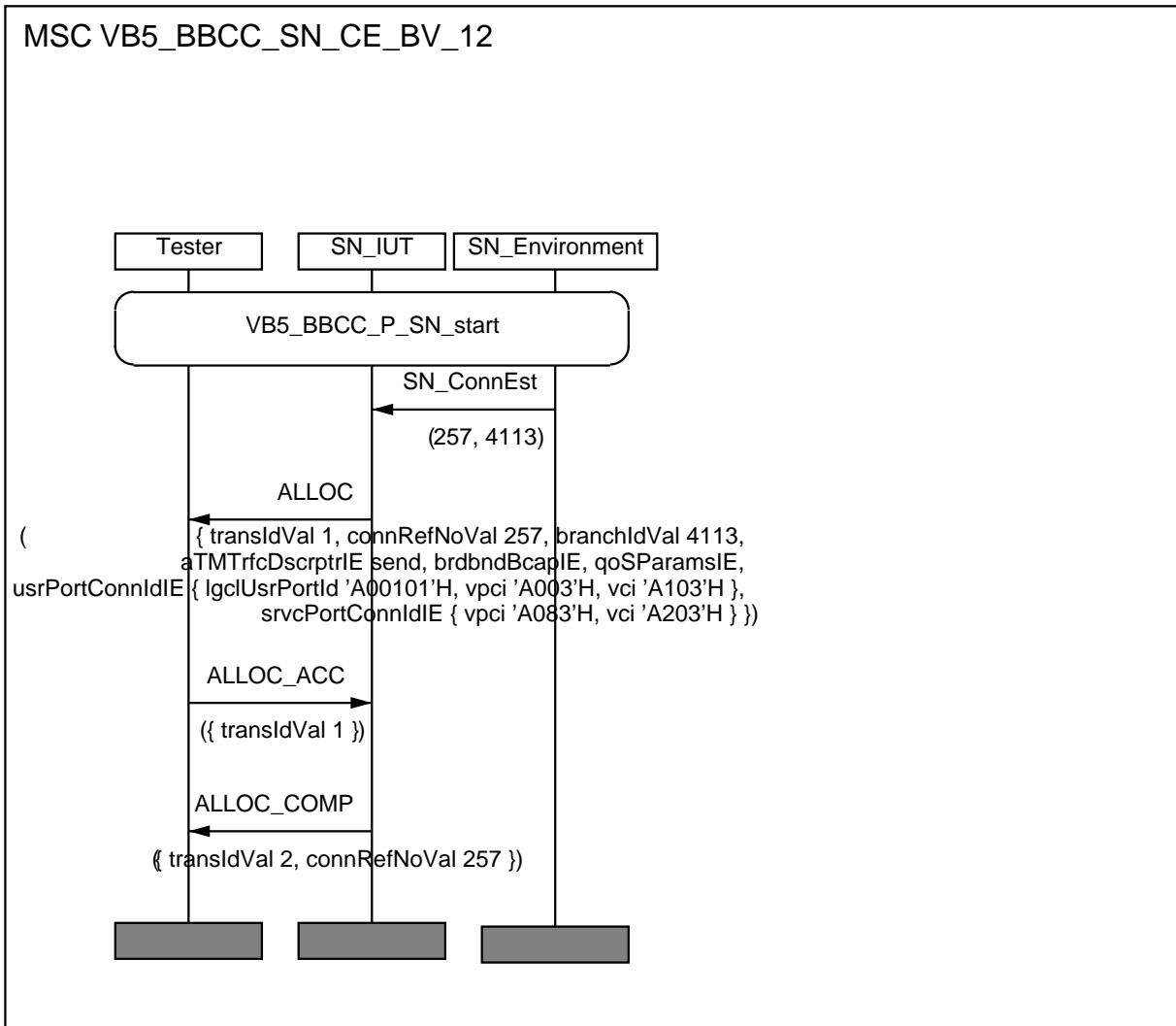


Figure 92

6.2.3 Connection Release procedure (CR)

6.2.3.1 Single connection Release procedure

Single PtP Connection.

VB5_BBCC_SN_CR_BV_01		Reference EN 301 217-1 [3]: 13.6.2.2
Purpose	Check Release of a single PtP Connection	
Test description	The tester issues an implicit send to cause the IUT to initiate a DEALLOC resource procedure for a single PtP connection	
Pass criteria	Check that the tester is receiving DEALLOC PDU containing mandatory parameters (Connection Ref Numb List, one ref)	
Selection	None	
Preamble	P_SN_1ptp	
Postamble	None	
Additional testing	None	

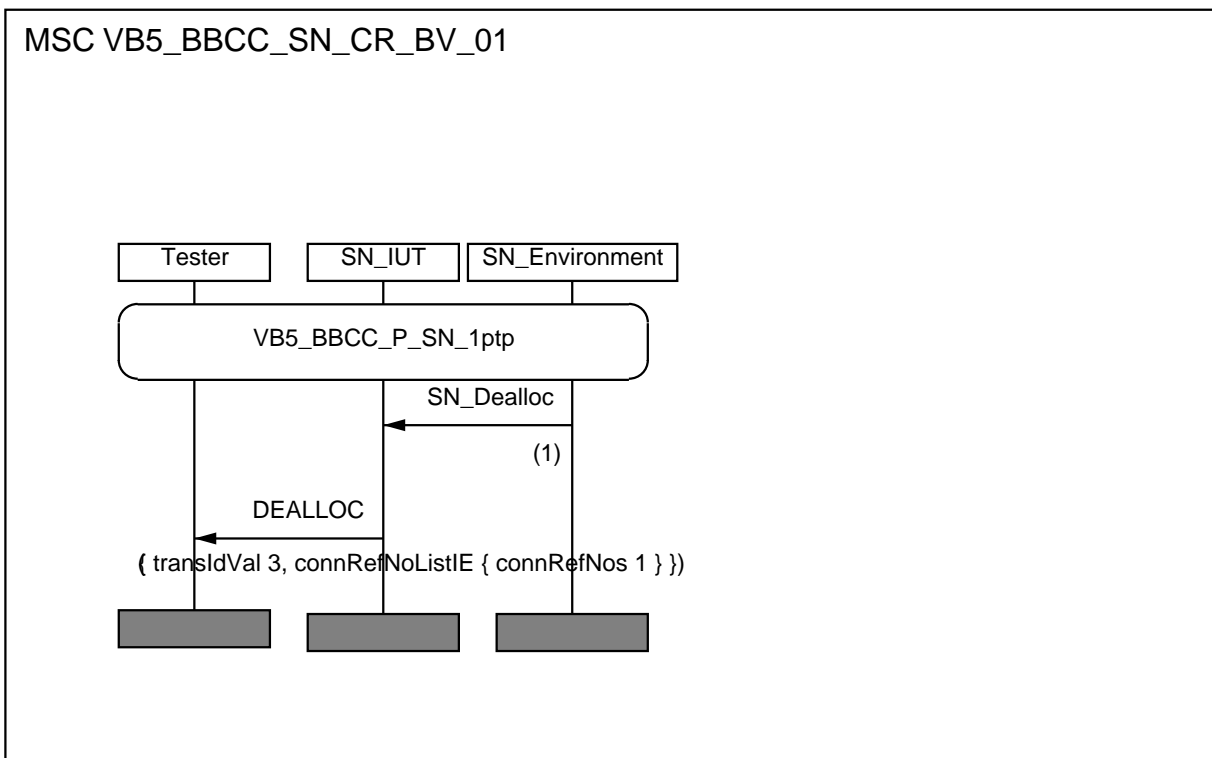


Figure 93

Single PtM Connection.

VB5_BBCC_SN_CR_BV_02		Reference EN 301 217-1 [3]: 13.6.2.2
Purpose	Check Release of a single PtM Connection	
Test description	The tester issues an implicit send to cause the IUT to initiate a DEALLOC resource procedure for a PtM connection	
Pass criteria	Check that the tester is receiving DEALLOC PDU containing mandatory parameters (Connection Ref Numb List, one ref)	
Selection	A.17/5 AND A.17/6: multipoint connection	
Preamble	P_SN_1ptmTwoB	
Postamble	None	
Additional testing	None	

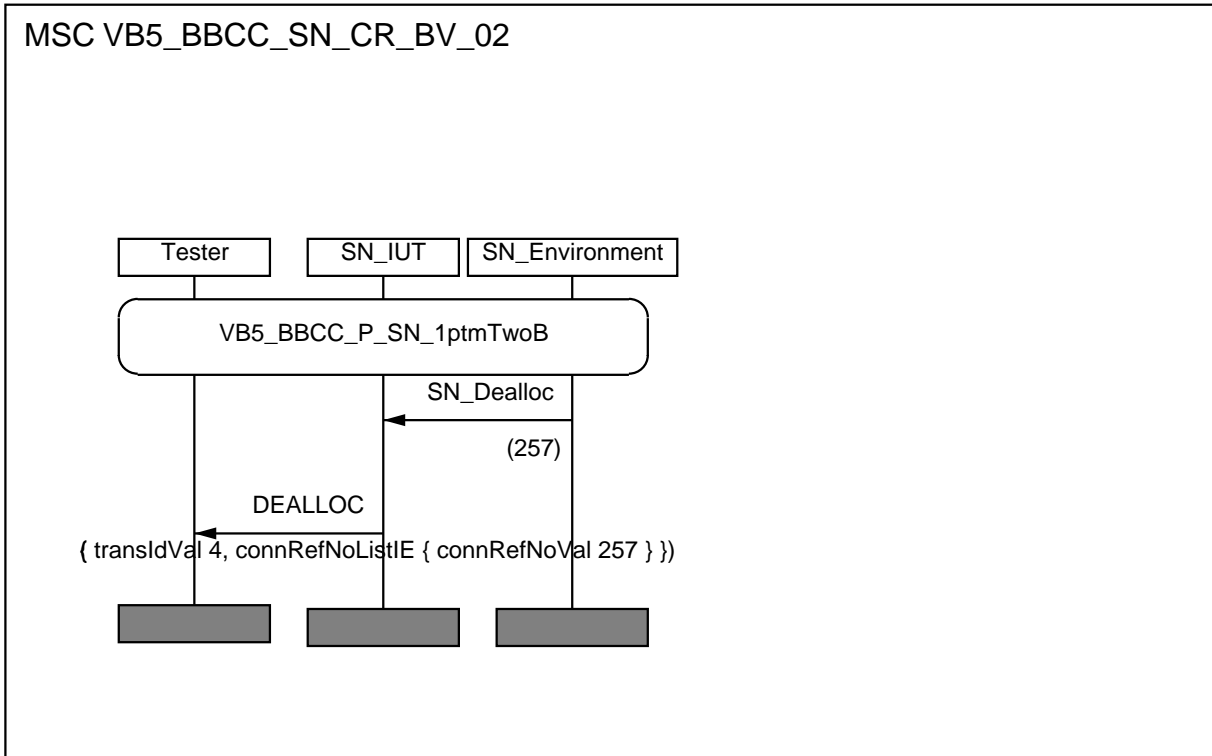


Figure 94

T_Dealloc timer test.

VB5_BBCC_SN_CR_TI_01		Reference EN 301 217-1 [3]: 13.6.2.2
Purpose	Check T_Dealloc timer	
Test description	The tester issues an implicit send to cause the IUT to initiate DEALLOC resource procedure. The tester is receiving DEALLOC PDU containing mandatory parameters. The tester does not answer with DEALLOC_ACK within T_Dealloc time	
Pass criteria	Check that the tester is receiving a second DEALLOC PDU containing mandatory parameters, within the acceptance time window	
Selection	None	
Preamble	P_SN_1ptp	
Postamble	None	
Additional testing	None	

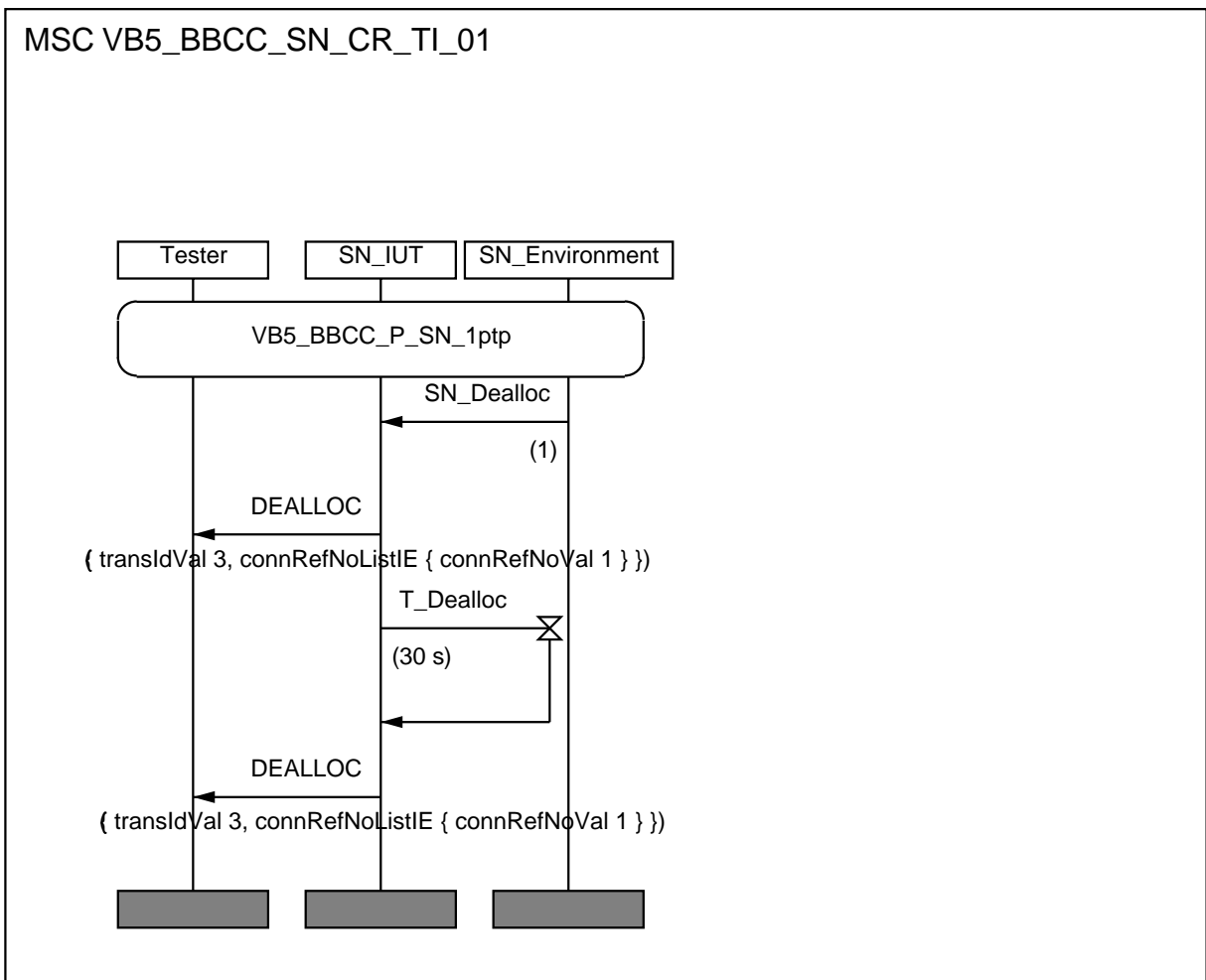


Figure 95

6.2.3.2 Multiple connections Release procedure

Multiple PtP Connections.

VB5_BBCC_SN_CR_BV_11		Reference EN 301 217-1 [3]: 13.6.2.2
Purpose	Check Release of a set of PtP Connections	
Test description	The tester issues an implicit send to cause the IUT to initiate a DEALLOC resource procedure for a set of PtP connections	
Pass criteria	Check that the tester is receiving DEALLOC PDU containing mandatory parameters (Connection Ref Numb List, several ref)	
Selection	None	
Preamble	P_SN_2ptp	
Postamble	None	
Additional testing	None	

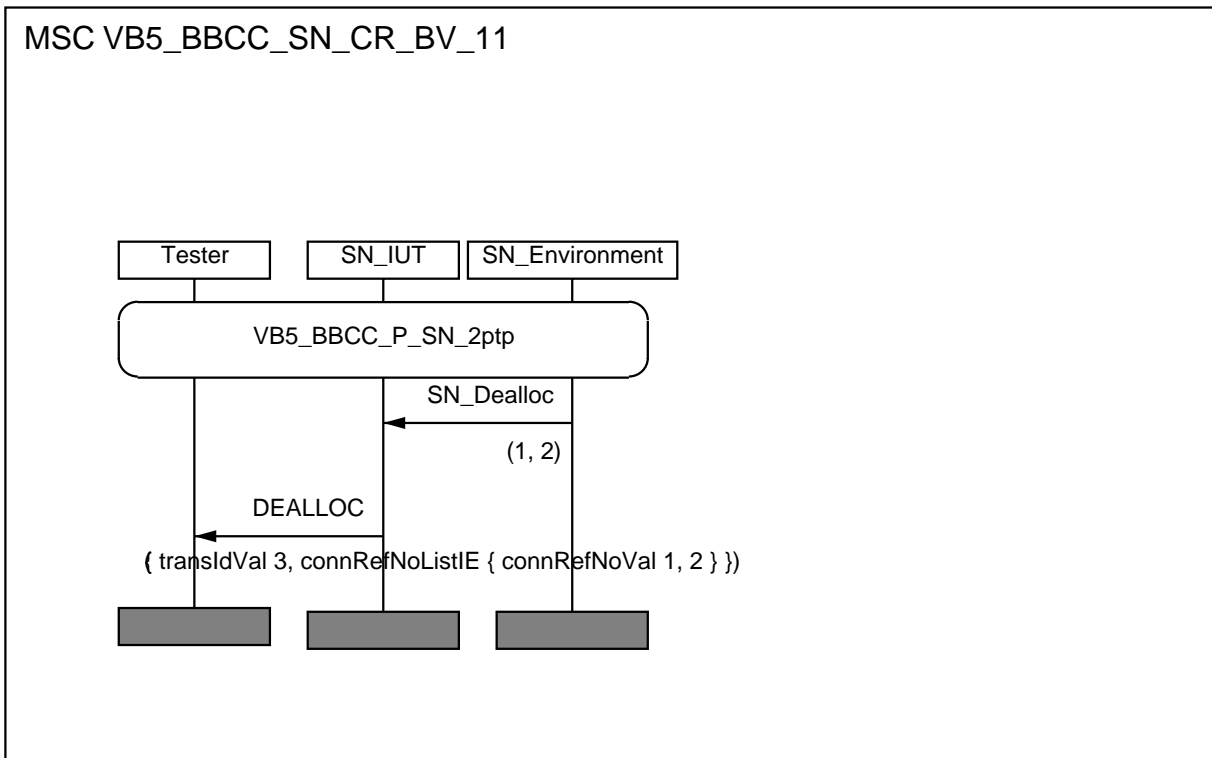


Figure 96

Multiple Connections.

VB5_BBCC_SN_CR_BV_12		Reference EN 301 217-1 [3]: 13.6.2.2
Purpose	Check Release of a set of PtP and PtM Connections	
Test description	The tester issues an implicit send to cause the IUT to initiate a DEALLOC resource procedure for a set of PtP and PtM connections	
Pass criteria	Check that the tester is receiving DEALLOC PDU containing mandatory parameters (Connection Ref Numb List, several ref)	
Selection	A.17/5 AND A.17/6: multipoint connection	
Preamble	P_SN_1ptp1ptm	
Postamble	None	
Additional testing	None	

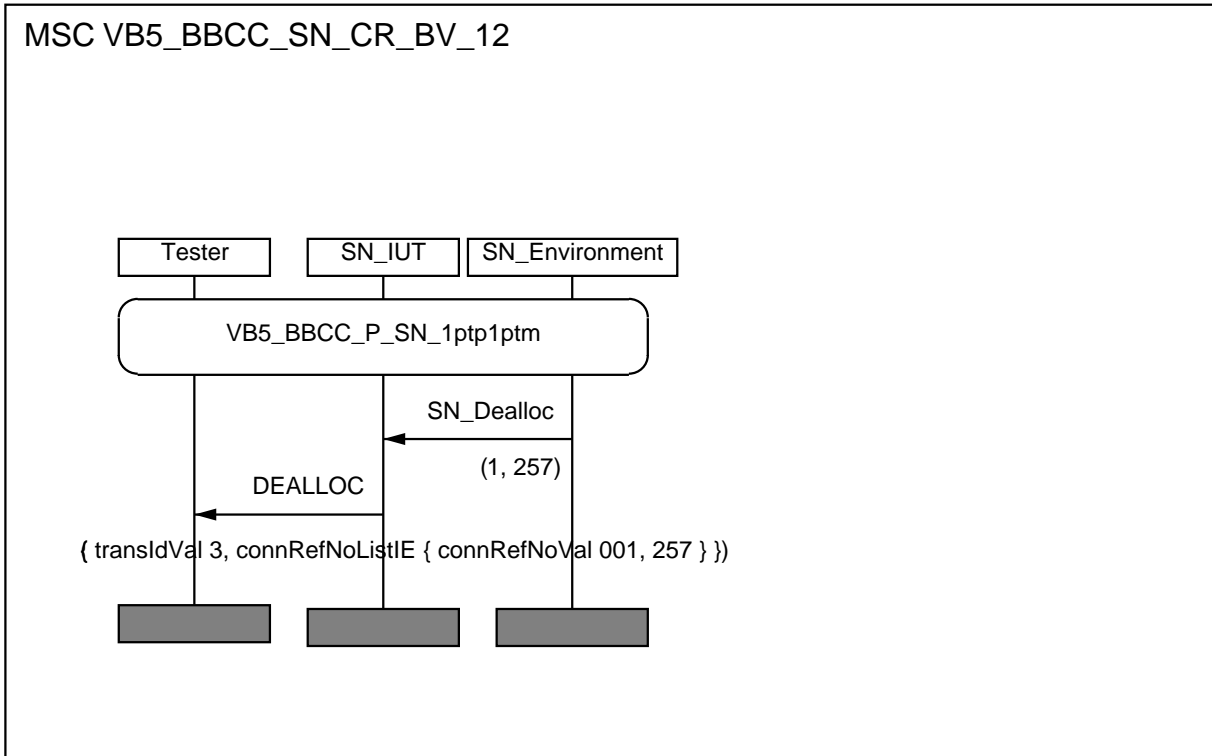


Figure 97

Multiple PtM Connections.

VB5_BBCC_SN_CR_BV_13		Reference EN 301 217-1 [3]: 13.6.2.2
Purpose	Check Release of a set of PtM Connections	
Test description	The tester issues an implicit send to cause the IUT to initiate a DEALLOC resource procedure for a set of PtM connections	
Pass criteria	Check that the tester is receiving DEALLOC PDU containing mandatory parameters (Connection Ref Numb List, several ref)	
Selection	A.17/5 AND A.17/6: multipoint connection	
Preamble	P_SN_2ptm	
Postamble	None	
Additional testing	None	

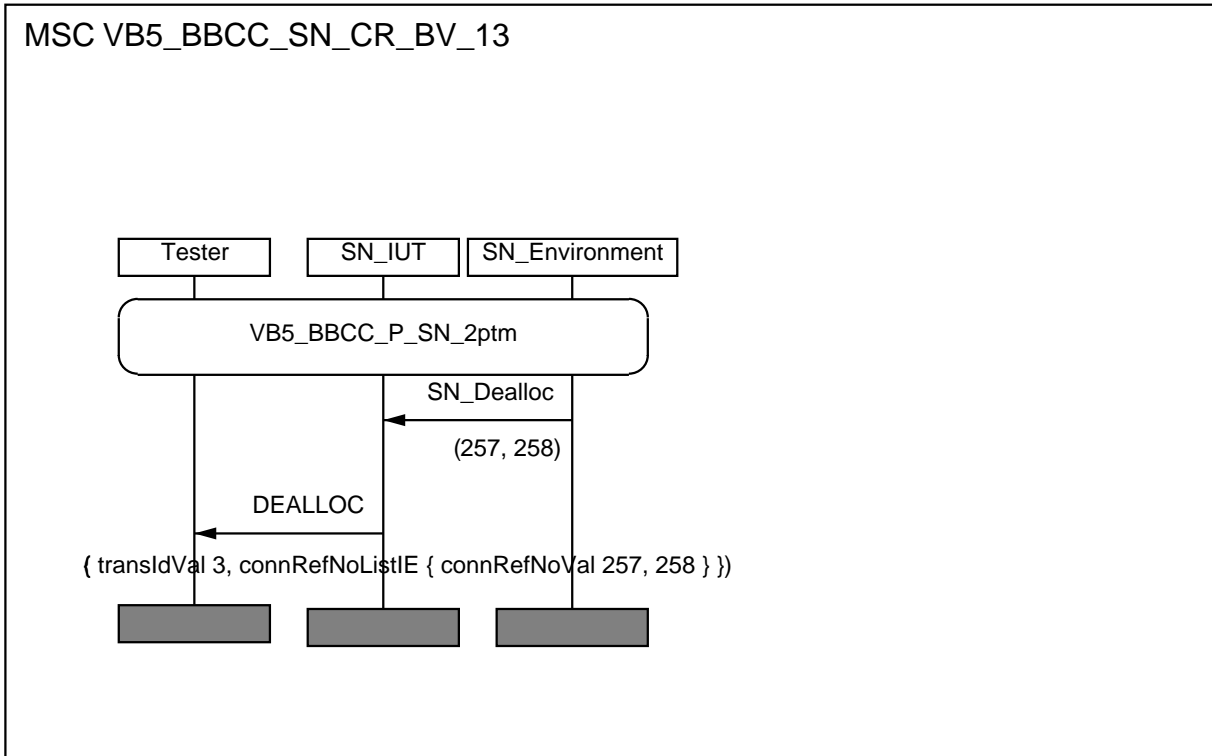


Figure 98

6.2.4 Connection modification procedure (CM)

Point to point configuration only.

6.2.4.1 Modification (first step) procedure

VB5_BBCC_SN_CM_BV_01	Reference EN 301 217-1 [3]: 13.6.2.3
Purpose	Check modification: first step, mandatory IE
Test description	The tester issues an implicit send to cause the IUT to initiate a MODIFY resource procedure for a single PtP connection
Pass criteria	Check that the tester is receiving MODIFY PDU containing mandatory parameters
Selection	A.17/4: Bearer connection modification procedure
Preamble	P_SN_1ptp
Postamble	None
Additional testing	None

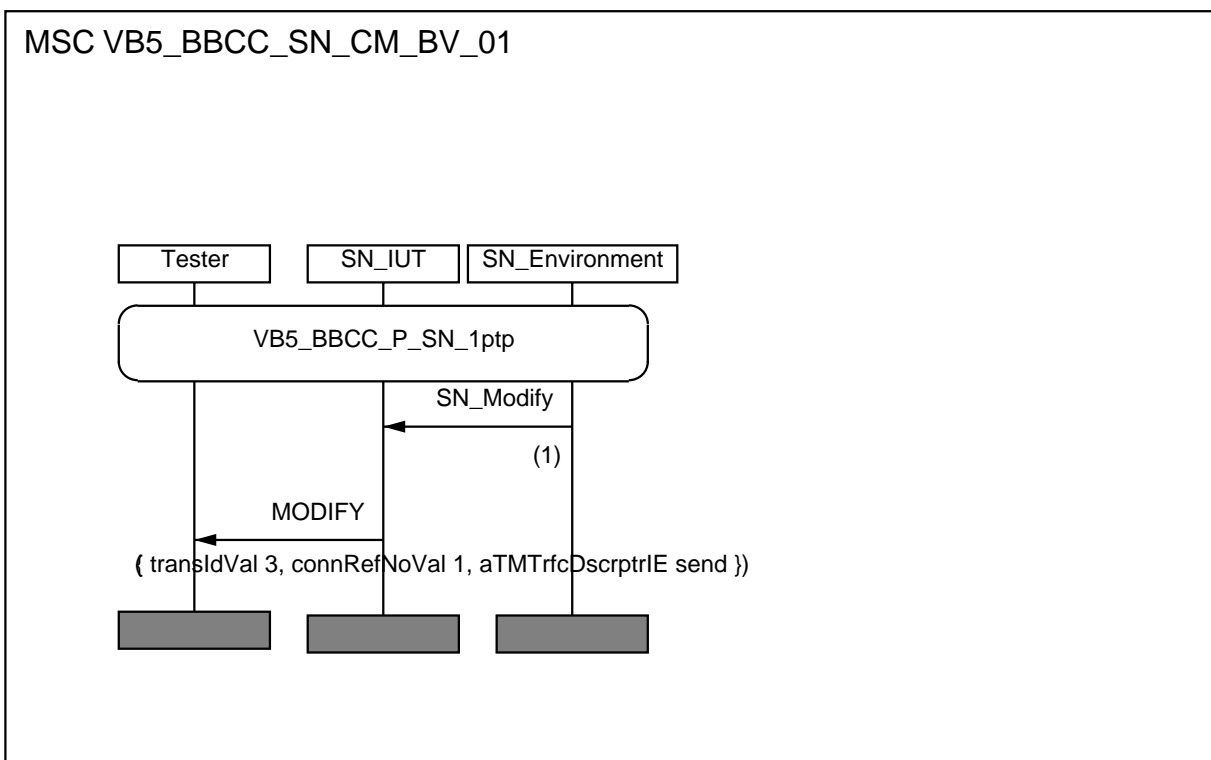


Figure 99

VB5_BBCC_SN_CM_BV_02	Reference EN 301 217-1 [3]: 13.6.2.3
Purpose	Check modification complete, mandatory IEs
Test description	The tester issues an implicit send to cause the IUT to initiate a MODIFY procedure. The tester receives MODIFY PDU containing mandatory parameters then answers with MODIFY_ACC within T_Modify time. The tester issues an implicit send to cause the IUT to initiate a MODIFY_COMP procedure
Pass criteria	Check that the tester is receiving MODIFY_COMP PDU containing mandatory parameters
Selection	A.17/4: Bearer connection modification procedure
Preamble	P_SN_1ptp
Postamble	None
Additional testing	None

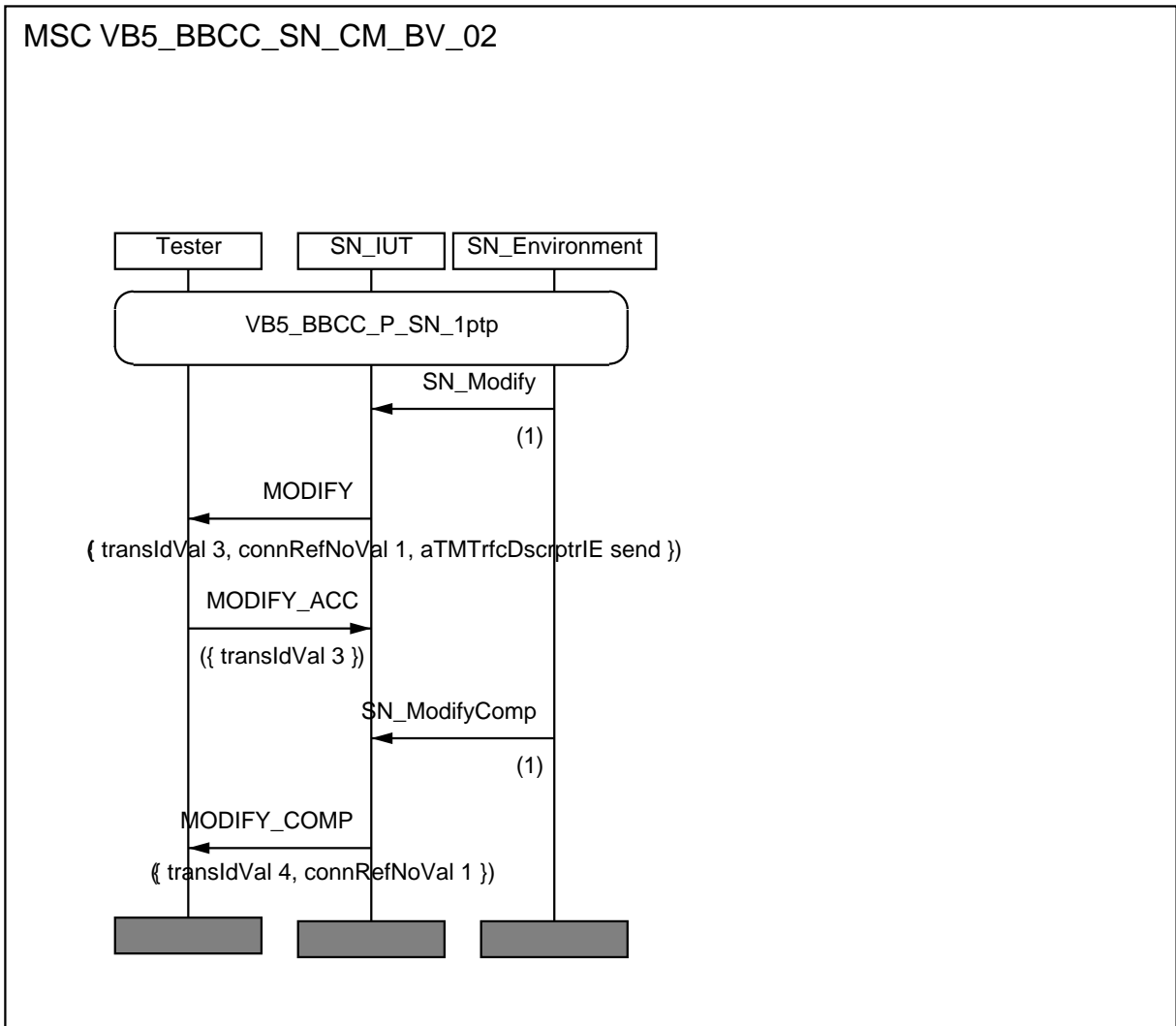


Figure 100

T_Modify timer test.

VB5_BBCC_SN_CM_TI_01		Reference EN 301 217-1 [3]: 13.6.2.2
Purpose	Check T_Modify timer	
Test description	The tester issues an implicit send to cause the IUT to initiate MODIFY resource procedure. The tester is receiving MODIFY PDU containing mandatory parameters. The tester does not answer with MODIFY_ACK within T_Modify time	
Pass criteria	Check that the tester is receiving a second MODIFY PDU containing mandatory parameters, within the acceptance time window	
Selection	A.17/4: Bearer connection modification procedure	
Preamble	P_SN_1ptp	
Postamble	None	
Additional testing	None	

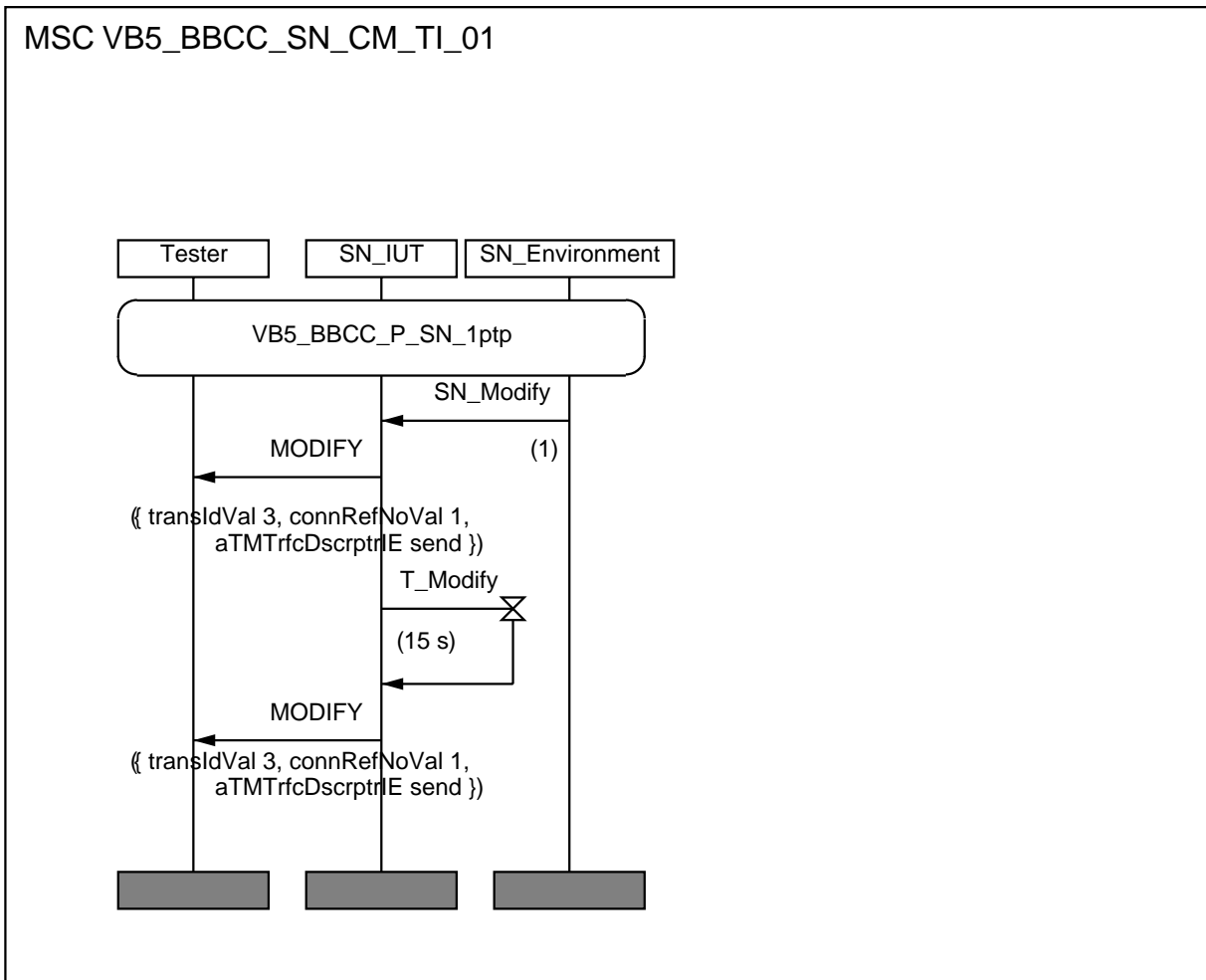


Figure 101

6.2.4.2 Modification Complete procedure

VB5_BBCC_SN_CM_BV_03		Reference EN 301 217-1 [3]: 13.6.2.3
Purpose	Check modification complete, optional IEs	
Test description	The tester issues an implicit send to cause the IUT to initiate a MODIFY procedure. The tester receives MODIFY PDU containing mandatory and optional parameters then answers with MODIFY_ACC within T_Modify time. The tester issues an implicit send to cause the IUT to initiate a MODIFY_COMP procedure	
Pass criteria	Check that the tester is receiving MODIFY_COMP PDU containing mandatory and optional parameters	
Selection	A.17/4: Bearer connection modification procedure AND A.17/14: ATM traffic descriptor modification with negotiation procedure	
Preamble	P_SN_1ptp	
Postamble	None	
Additional testing	ceeModifyAccConf is sent to SN environment	

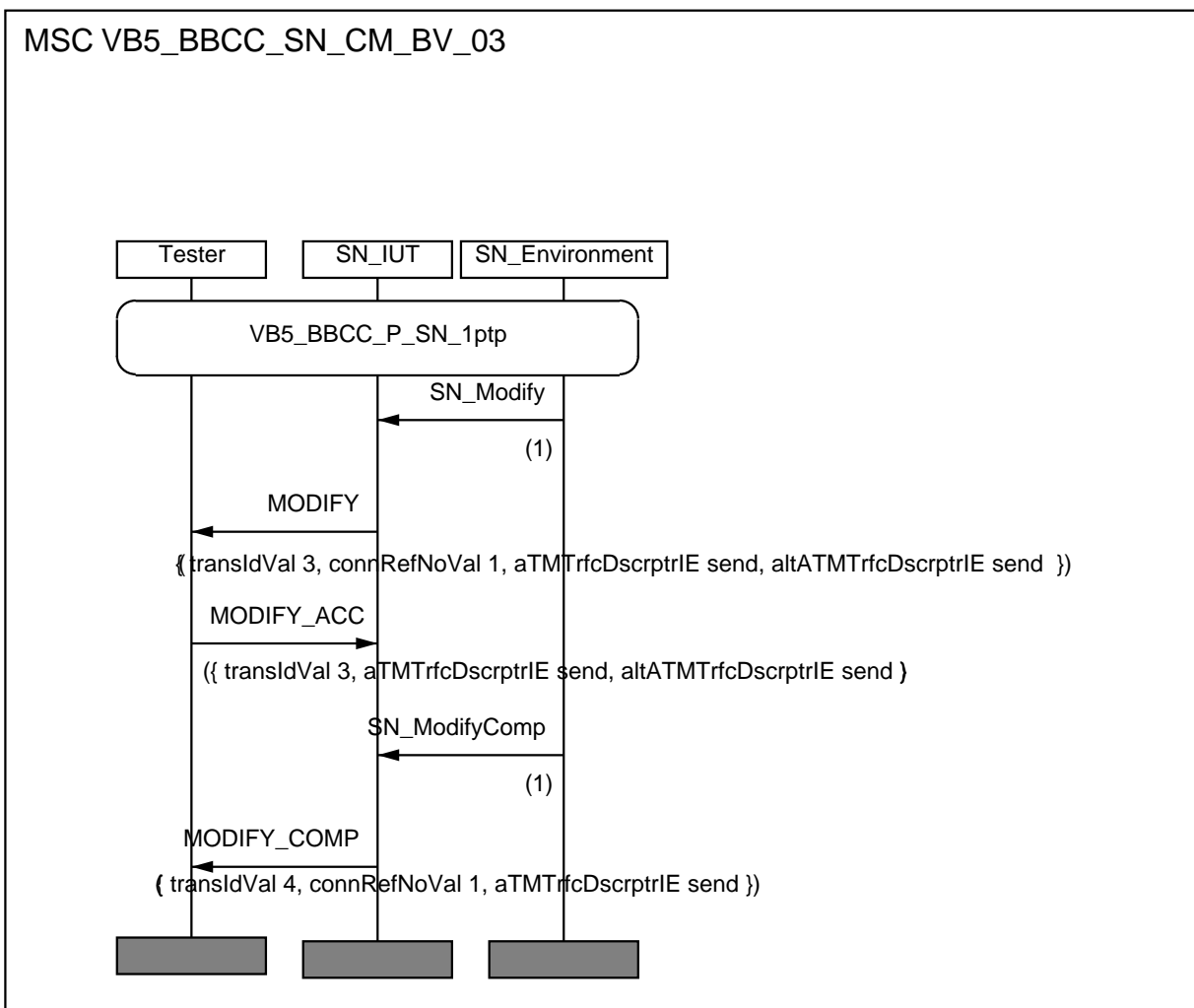


Figure 102

T_ModifyComp timer test.

VB5_BBCC_SN_CM_TI_02		Reference EN 301 217-1 [3]: 13.6.2.2
Purpose	Check T_ModifyComp timer	
Test description	The tester issues an implicit send to cause the IUT to initiate a MODIFY procedure. The tester receives MODIFY PDU containing mandatory parameters then answers with MODIFY_ACC . The tester issues an implicit send to cause the IUT to initiate an MODIFY_COMP procedure. The tester is receiving MODIFY_COMP PDU containing mandatory parameters. The tester does not answer with MODIFY_COMP ACK within T_ModifyComp time	
Pass criteria	Check that the tester is receiving a second MODIFY_COMP PDU containing mandatory parameters, within the acceptance time window	
Selection	A.17/4: Bearer connection modification procedure	
Preamble	P_SN_1ptp	
Postamble	None	
Additional testing	ceeModifyAccConf is sent to SN environment	

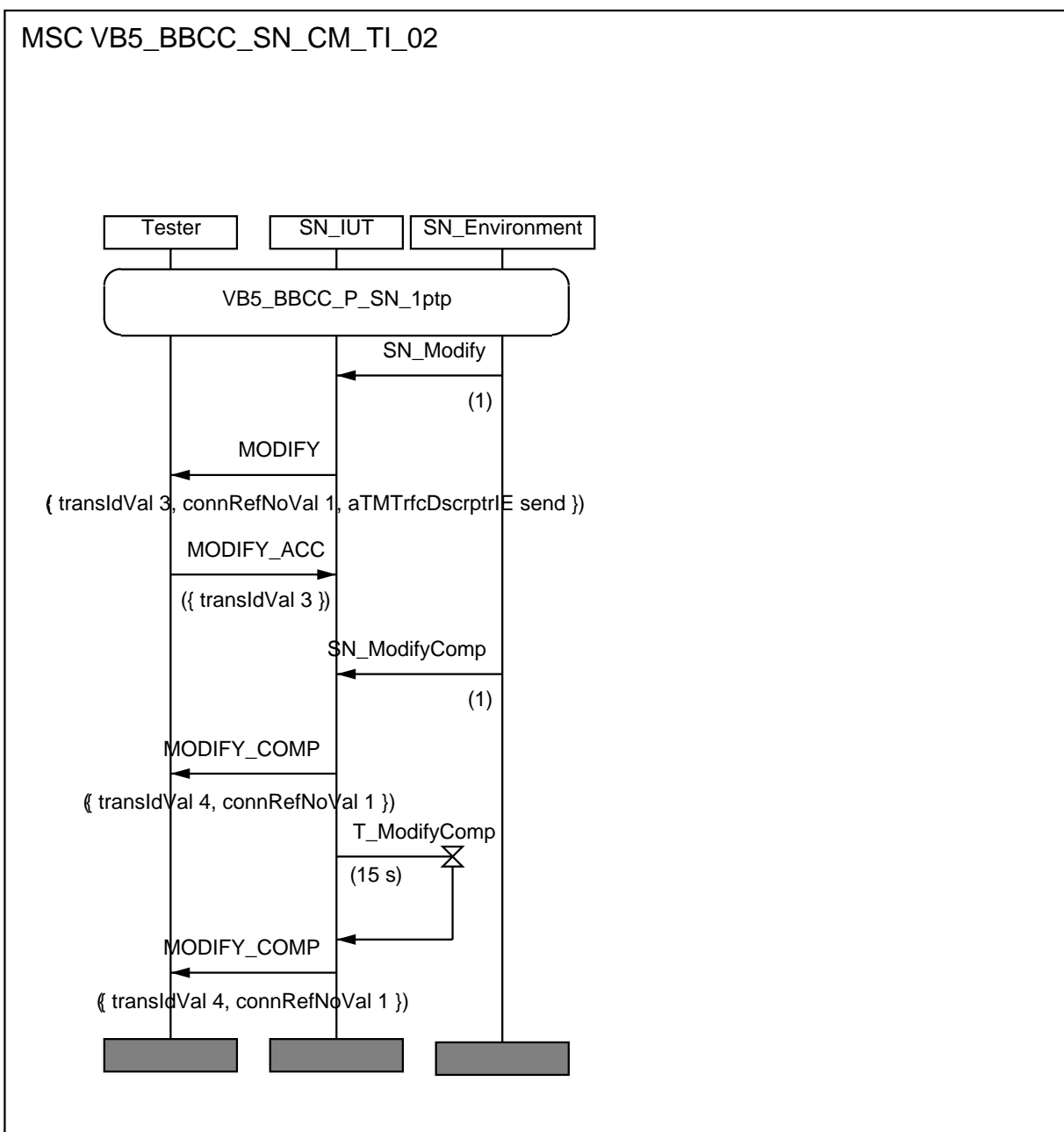


Figure 103

6.2.4.3 Modification Abort procedure

VB5_BBCC_SN_CM_BV_04	Reference EN 301 217-1 [3]: 13.6.2.3
Purpose	Check modification abort
Test description	The tester issues an implicit send to cause the IUT to initiate a MODIFY procedure. The tester receives MODIFY PDU containing mandatory parameters then answers with MODIFY_ACC within T_Modify time. The tester issues an implicit send to cause the IUT to initiate a MODIFY_ABORT procedure
Pass criteria	Check that the tester is receiving MODIFY_ABORT PDU containing mandatory parameters
Selection	A.17/4: Bearer connection modification procedure
Preamble	P_SN_1ptp
Postamble	None
Additional testing	ceeModifyAccConf is sent to SN environment

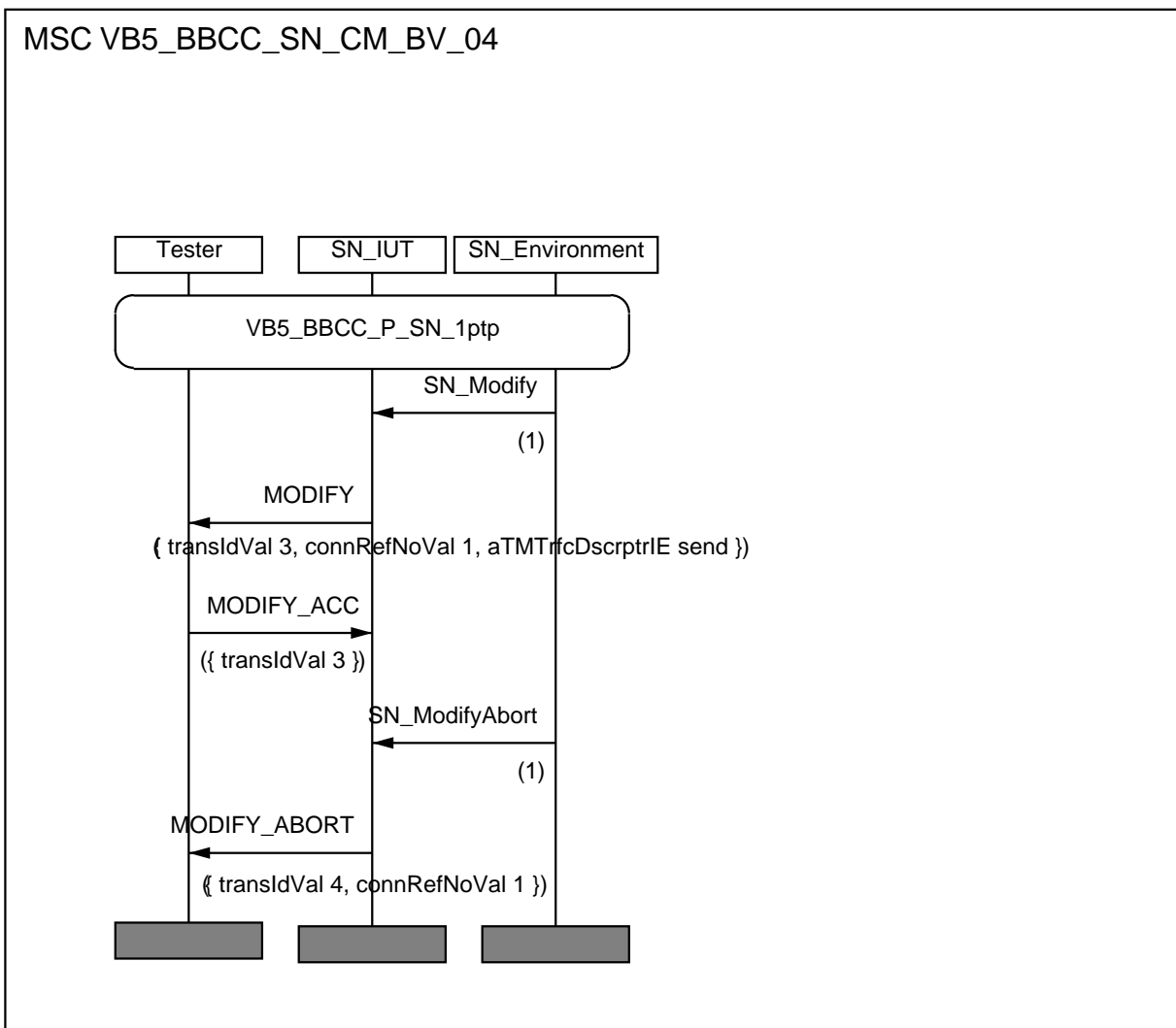


Figure 104

T_ModifyAbort timer test.

VB5_BBCC_SN_CM_TI_03		Reference EN 301 217-1 [3]: 13.6.2.2
Purpose	Check T_ModifyAbort timer	
Test description	The tester issues an implicit send to cause the IUT to initiate a MODIFY procedure. The tester receives MODIFY PDU containing mandatory parameters then answers with MODIFY_ACC . The tester issues an implicit send to cause the IUT to initiate an MODIFY_ABORT procedure. The tester is receiving MODIFY_ABORT PDU containing mandatory parameters. The tester does not answer with MODIFY_ABORT ACK within T_ModifyAbort time	
Pass criteria	Check that the tester is receiving a second MODIFY_ABORT PDU containing mandatory parameters, within the acceptance time window	
Selection	A.17/4: Bearer connection modification procedure	
Preamble	P_SN_1ptp	
Postamble	None	
Additional testing	ceeModifyAccConf is sent to SN environment	

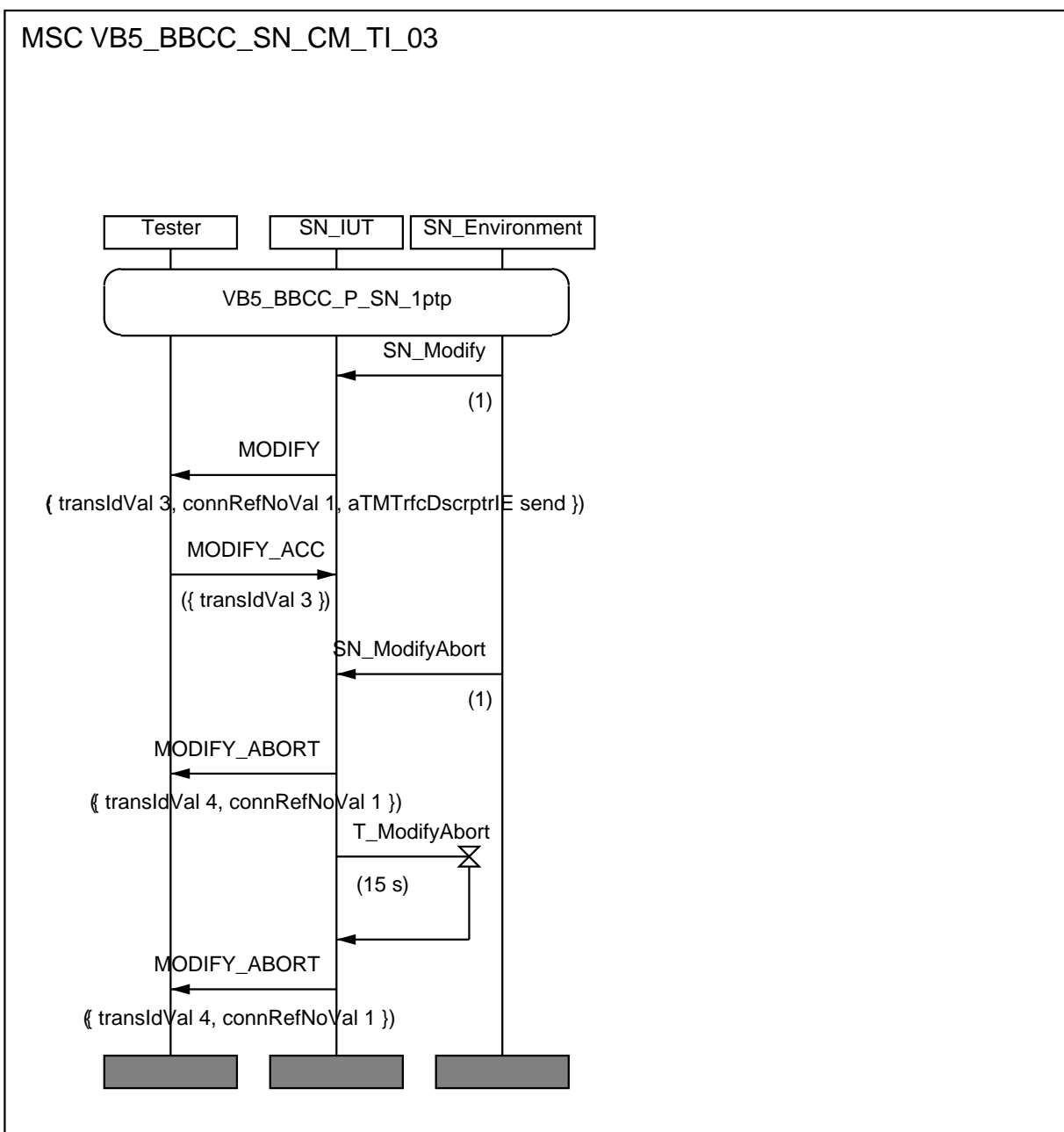


Figure 105

6.2.5 Branch Establishment procedure (BE)

6.2.5.1 Add Branch procedure

PtM connection only.

VB5_BBCC_SN_BE_BV_01		Reference EN 301 217-1 [3]: 13.6.3.1
Purpose	Check Branch establishment, ADD only	
Test description	The tester issues an implicit send to cause the IUT to initiate an ADD_BRANCH procedure for a single PtM connection	
Pass criteria	Check that the tester is receiving ADD_BRANCH PDU containing mandatory parameters	
Selection	A.17/5 AND A.17/6: multipoint connection	
Preamble	P_SN_1ptm	
Postamble	None	
Additional testing	None	

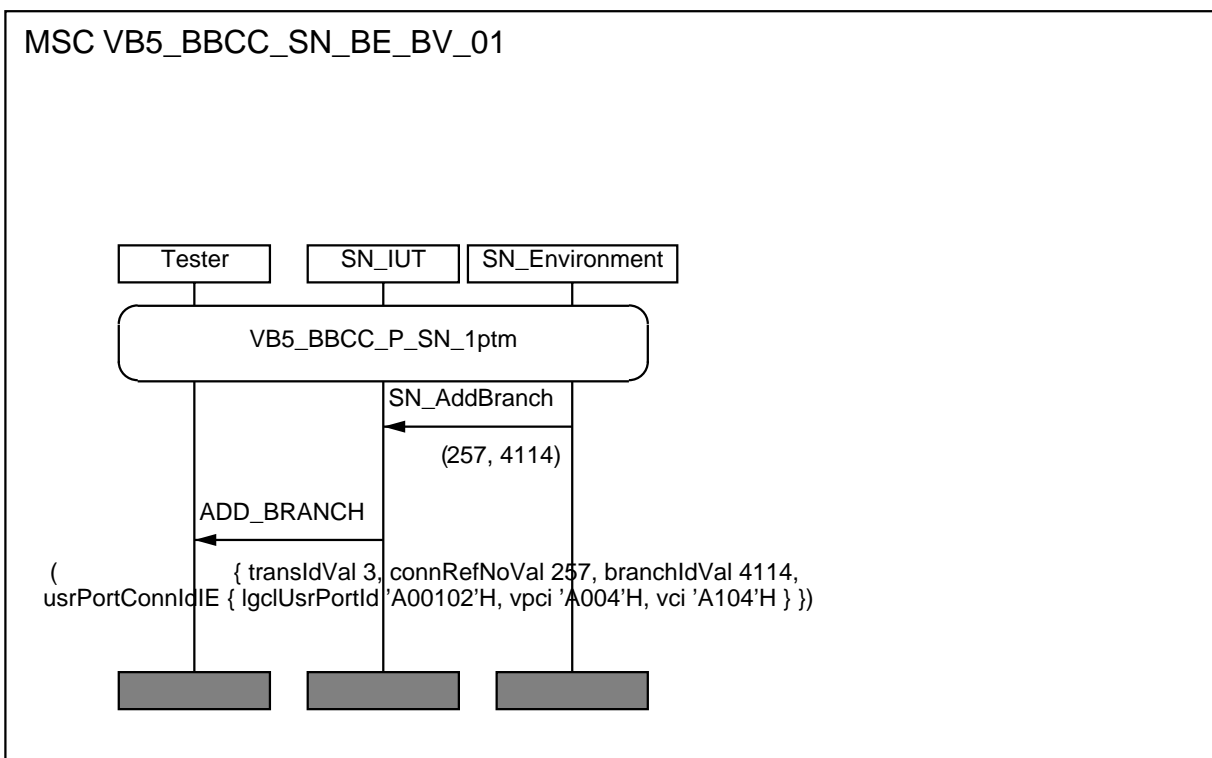


Figure 106

VB5_BBCC_SN_BE_BV_02	Reference EN 301 217-1 [3]: 13.6.3.1
Purpose	Check Branch establishment, ADD only, no VCI in IE
Test description	The tester issues an implicit send to cause the IUT to initiate an ADD_BRANCH procedure for a single PtM connection
Pass criteria	Check that the tester is receiving ADD_BRANCH PDU containing mandatory parameters
Selection	A.17/5 AND A.17/6: multipoint connection
Preamble	P_SN_1ptm
Postamble	None
Additional testing	None

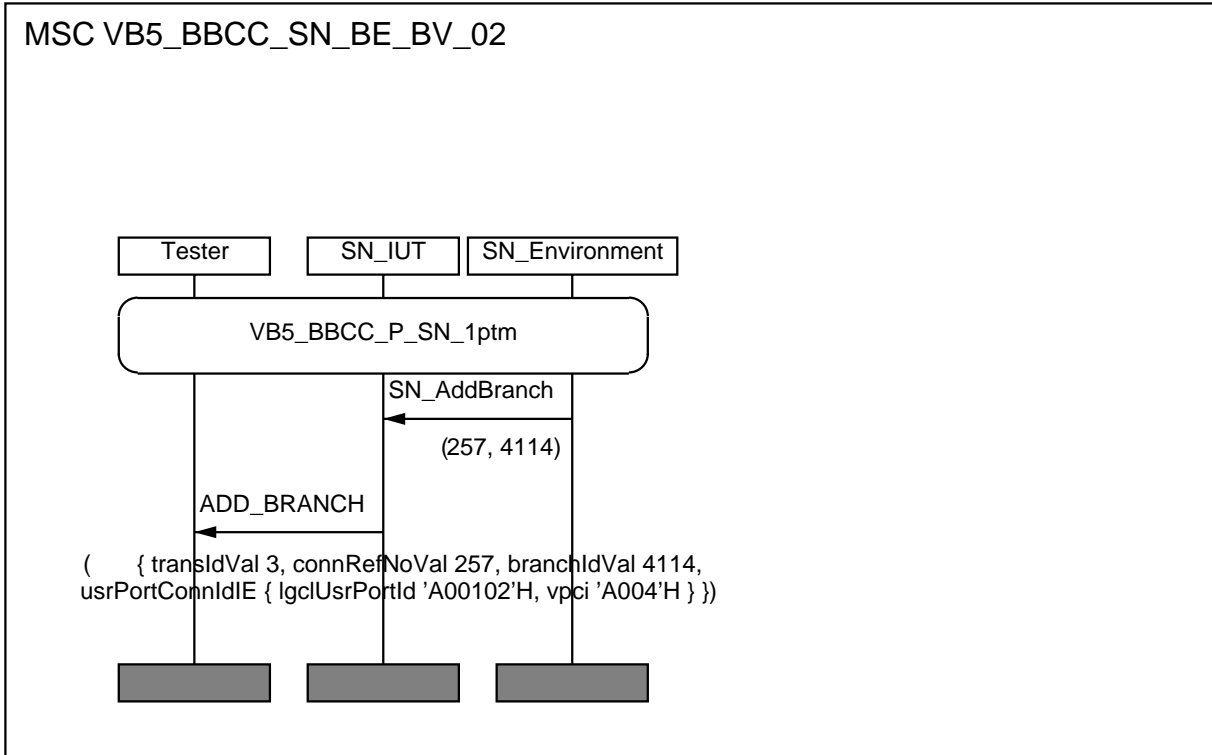


Figure 107

VB5_BBCC_SN_BE_TI_01	Reference EN 301 217-1 [3]: 13.6.3.1
Purpose	Check T_AddBranch timer
Test description	The tester issues an implicit send to cause the IUT to initiate an ADD_BRANCH procedure for a single PtM connection. The tester is receiving ADD_BRANCH PDU containing mandatory parameters, and does not answer with ADD_BRANCH_ACC within T_AddBranch time
Pass criteria	Check that the tester is receiving a second ADD_BRANCH PDU containing mandatory parameters, within the acceptance time window
Selection	A.17/5 AND A.17/6: multipoint connection
Preamble	P_SN_1ptm
Postamble	None
Additional testing	None

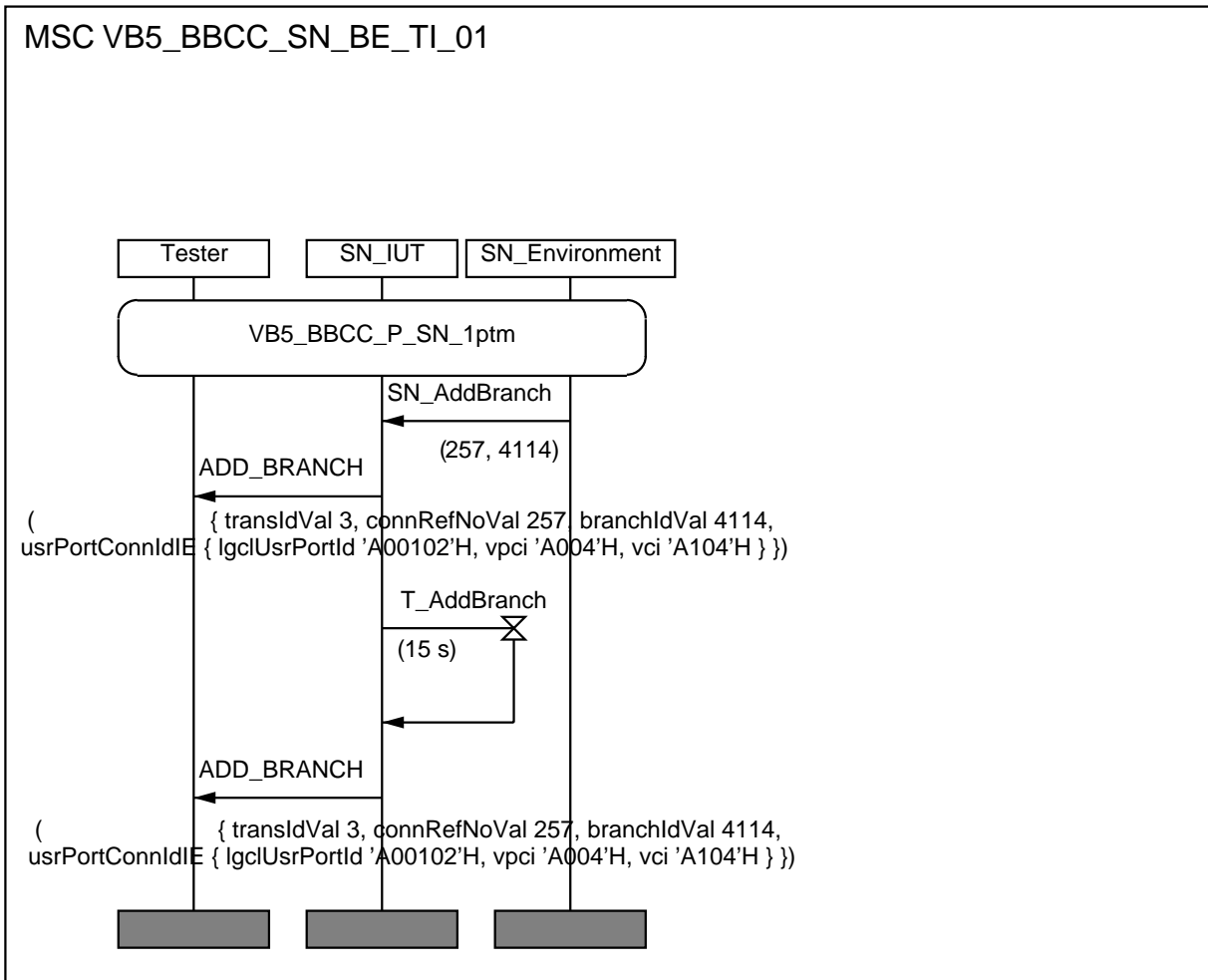


Figure 108

6.2.5.2 Add Branch / Update procedure

VB5_BBCC_SN_BE_BV_03		Reference EN 301 217-1 [3]: 13.6.3.1
Purpose	Check Branch establishment, ADD then UPDATE	
Test description	The tester issues an implicit send to cause the IUT to initiate an ADD_BRANCH procedure. The tester receives ADD_BRANCH PDU containing mandatory parameters (no VCI) then answers with ADD_BRANCH_ACC within T_Modify time. The tester issues an implicit send to cause the IUT to initiate a UPDATE_BRANCH procedure	
Pass criteria	Check that the tester is receiving UPDATE_BRANCH PDU containing mandatory parameters	
Selection	A.17/5 AND A.17/6: multipoint connection	
Preamble	P_SN_1ptm	
Postamble	None	
Additional testing	ceeAddBranchAccConf is sent to SN environment	

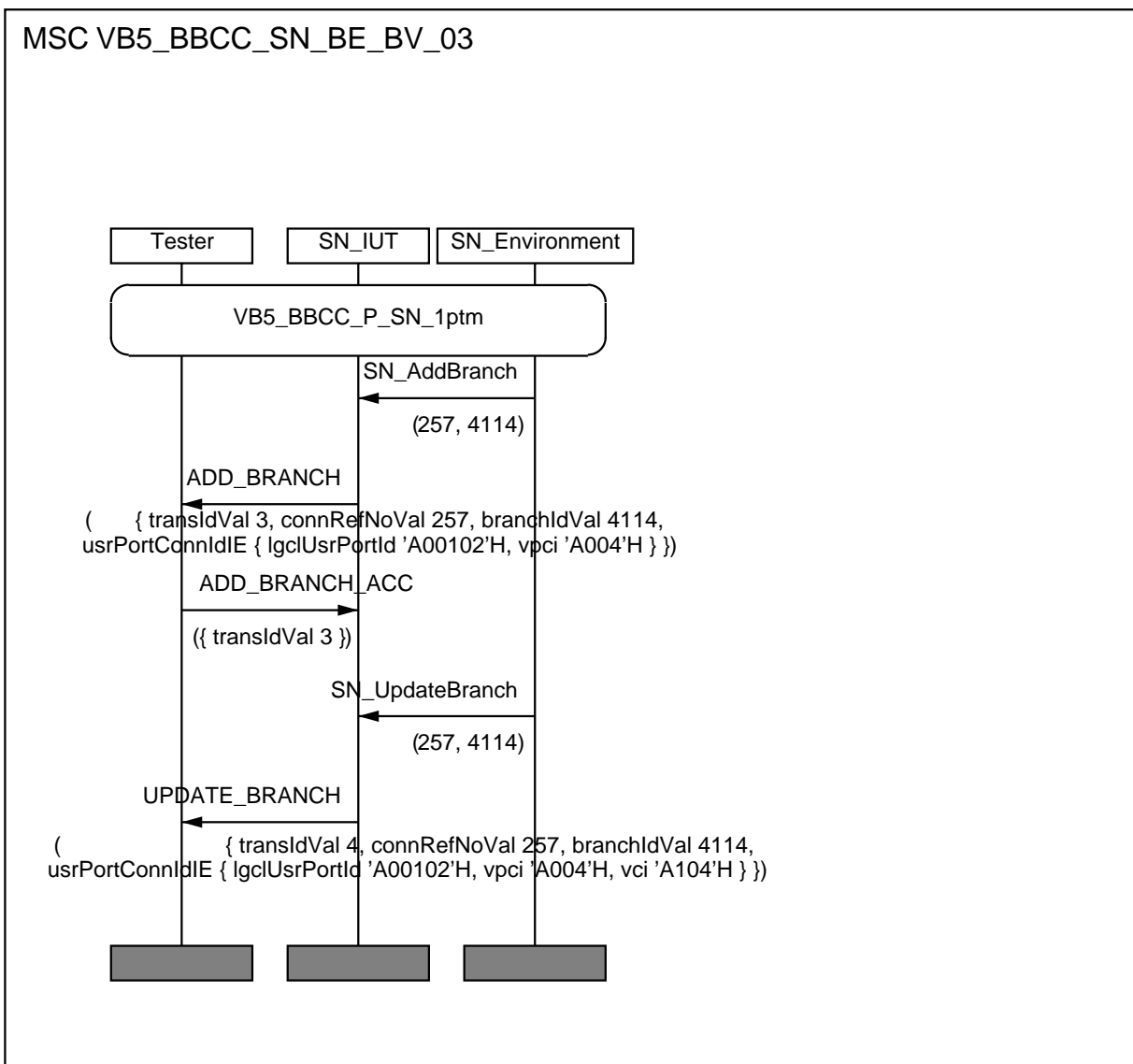


Figure 109

VB5_BBCC_SN_BE_TI_02	Reference EN 301 217-1 [3]: 13.6.3.1
Purpose	Check T_UpdateBranch timer
Test description	The tester issues an implicit send to cause the IUT to initiate an ADD_BRANCH procedure. The tester receives ADD_BRANCH PDU containing mandatory parameters (no VCI) then answers with ADD_BRANCH_ACC within T_Modify time. The tester issues an implicit send to cause the IUT to initiate a UPDATE_BRANCH procedure. The tester is receiving UPDATE_BRANCH PDU containing mandatory parameters and does not answer with UPDATE_BRANCH_ACC within T_UpdateBranch time
Pass criteria	Check that the tester is receiving a second UPDATE_BRANCH PDU containing mandatory parameters, within the acceptance time window
Selection	A.17/5 AND A.17/6: multipoint connection
Preamble	P_SN_1ptm
Postamble	None
Additional testing	ceeAddBranchAccConf is sent to SN environment

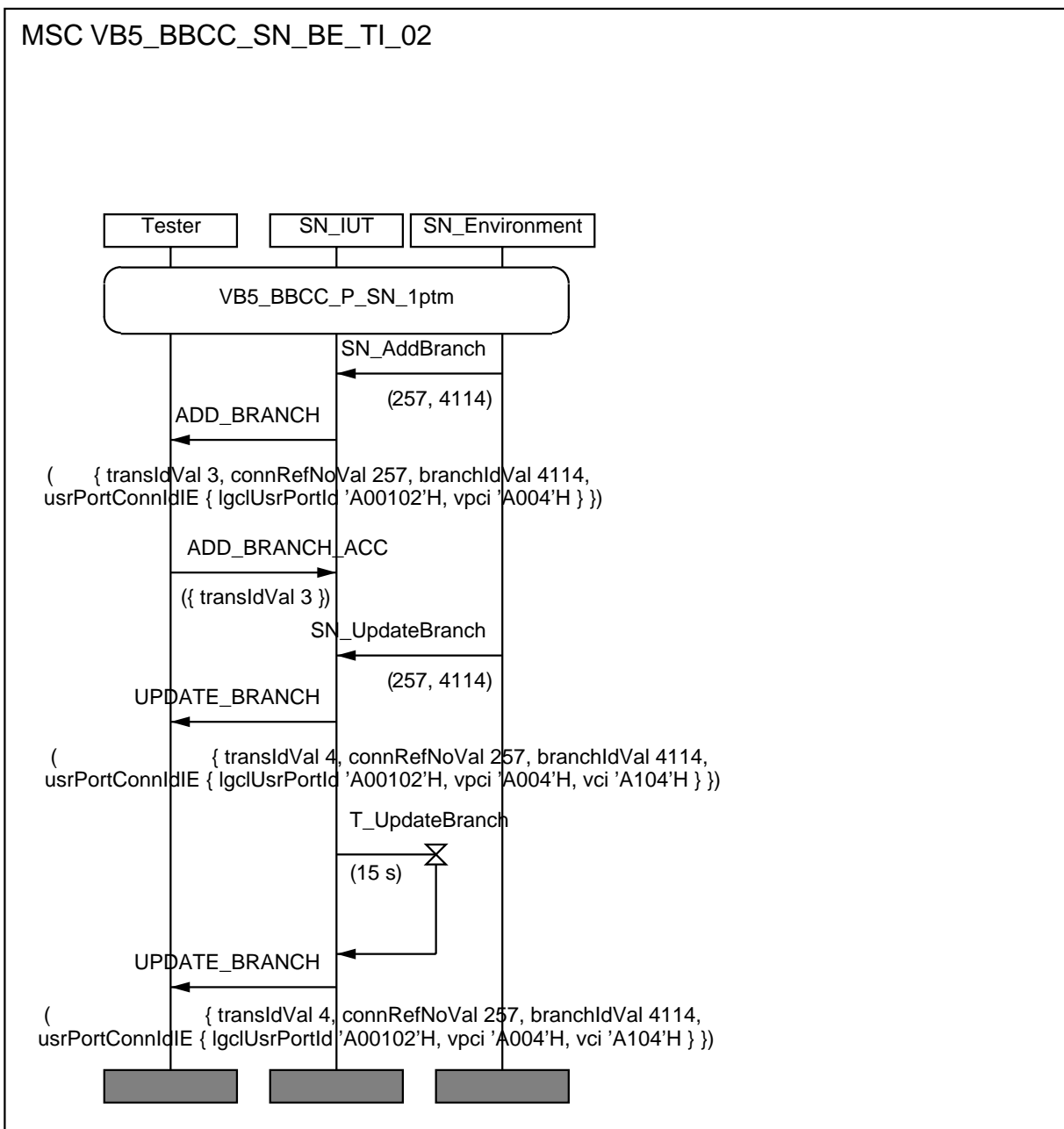


Figure 110

6.2.6 Branch Release procedure (BR)

VB5_BBCC_SN_BR_BV_01	Reference EN 301 217-1 [3]: 13.6.3.2
Purpose	Check Branch Release (Single branch identifier)
Test description	The tester issues an implicit send to cause the IUT to initiate a DROP_BRANCH procedure for a single PtM connection
Pass criteria	Check that the tester is receiving DROP_BRANCH PDU containing mandatory parameters
Selection	A.17/5 AND A.17/6: multipoint connection
Preamble	P_SN_1ptmTwoB
Postamble	None
Additional testing	None

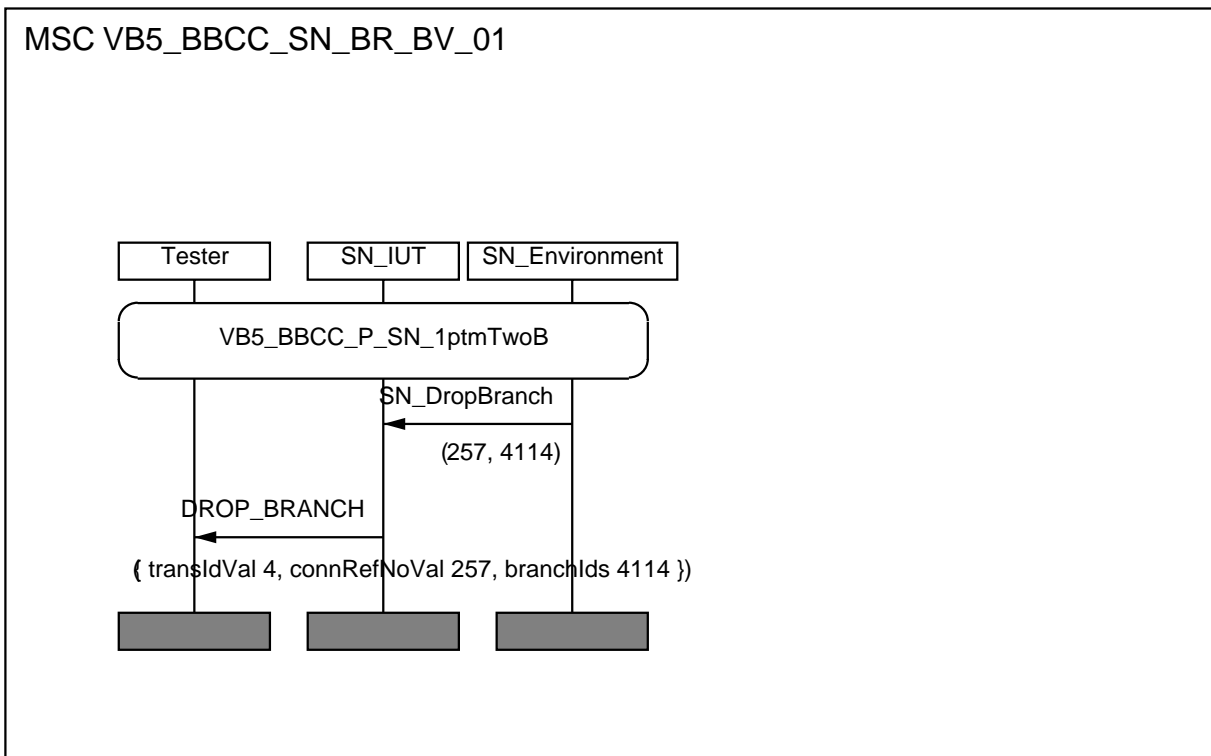


Figure 111

VB5_BBCC_SN_BR_BV_02	Reference EN 301 217-1 [3]: 13.6.3.2
Purpose	Check Branch Release (List of branch identifiers)
Test description	The tester issues an implicit send to cause the IUT to initiate a DROP_BRANCH procedure for several branches of a PtM connection
Pass criteria	Check that the tester is receiving DROP_BRANCH PDU containing mandatory parameters
Selection	A.17/5 AND A.17/6: multipoint connection
Preamble	P_SN_1ptmThreeB
Postamble	None
Additional testing	None

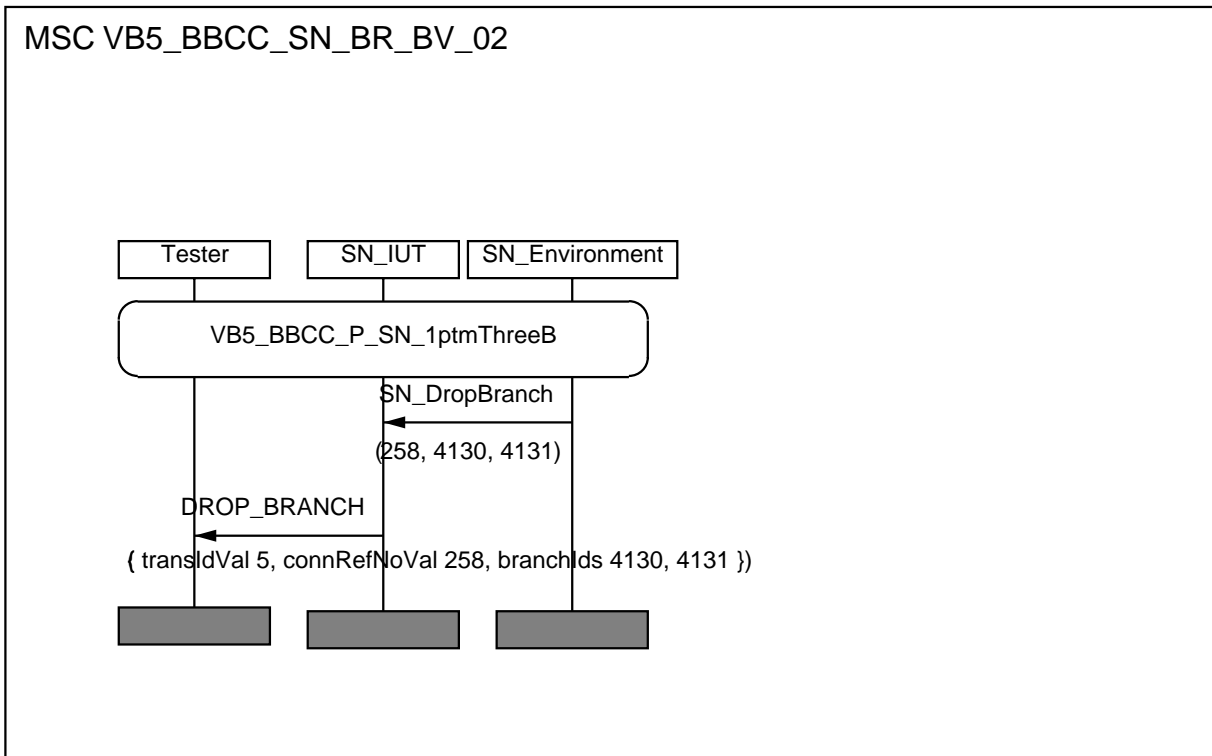


Figure 112

VB5_BBCC_SN_BR_TI_01		Reference EN 301 217-1 [3]: 13.6.3.1
Purpose	Check T_DropBranch timer	
Test description	The tester issues an implicit send to cause the IUT to initiate a DROP_BRANCH procedure for a single PtM connection. The tester is receiving DROP_BRANCH PDU containing mandatory parameters, and does not answer with DROP_BRANCH_ACC within T_DropBranch time	
Pass criteria	Check that the tester is receiving a second DROP_BRANCH PDU containing mandatory parameters, within the acceptance time window	
Selection	A.17/5 AND A.17/6: multipoint connection	
Preamble	P_SN_1ptmTwoB	
Postamble	None	
Additional testing	None	

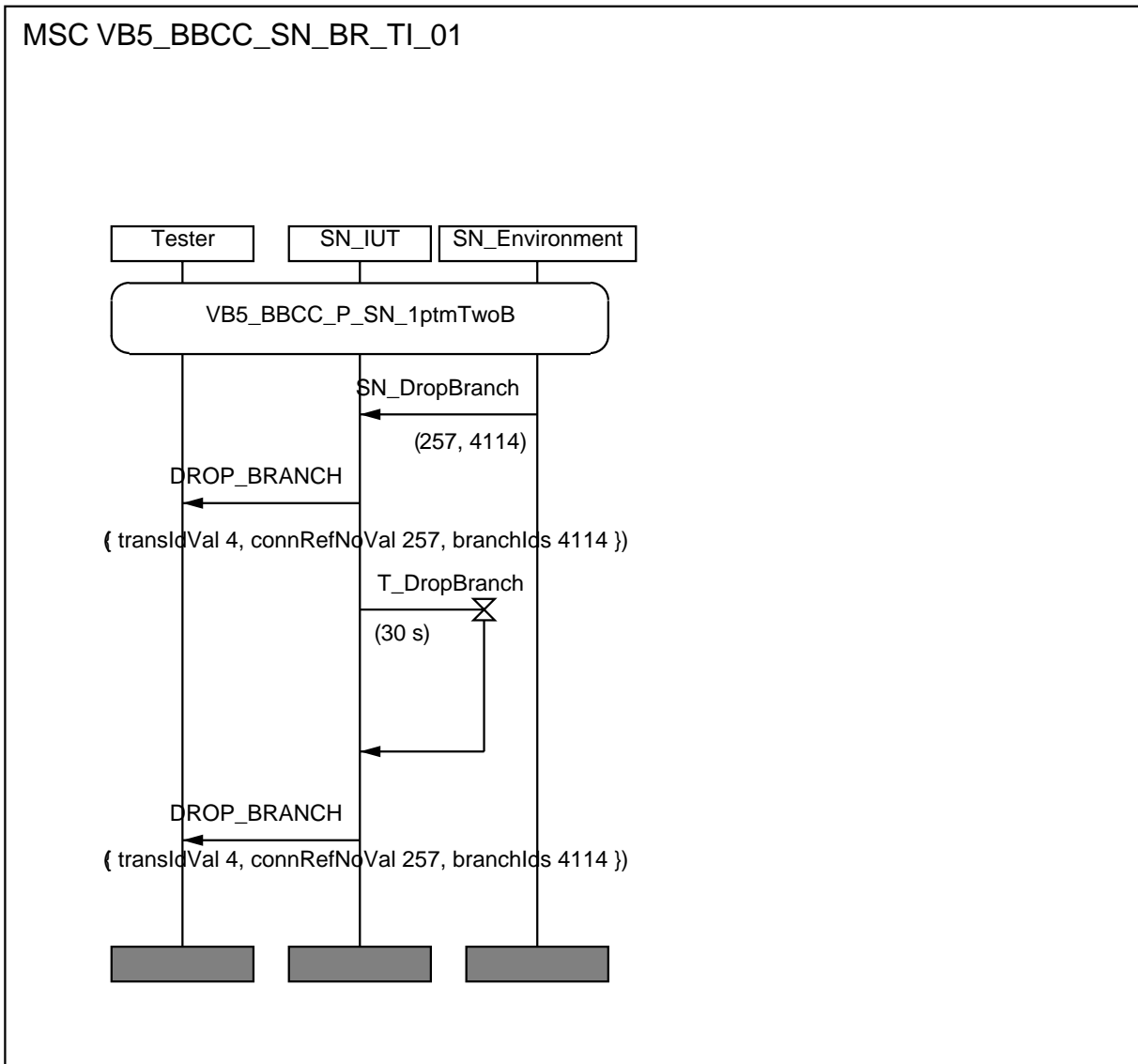


Figure 113

6.2.7 Housekeeping procedure (Reset, Fault)

6.2.7.1 Reset procedure

VB5_BBCC_SN_HK_BV_01		Reference EN 301 217-1 [3]: 13.6.4.1
Purpose	Check Reset VCC at User port	
Test description	The tester issues an implicit send to cause the IUT to initiate a RESET procedure for a VCC at a User Port	
Pass criteria	Check that the tester is receiving a BBCC_RESET PDU with mandatory parameters	
Selection	None	
Preamble	P_SN_1ptp	
Postamble	None	
Additional testing	None	

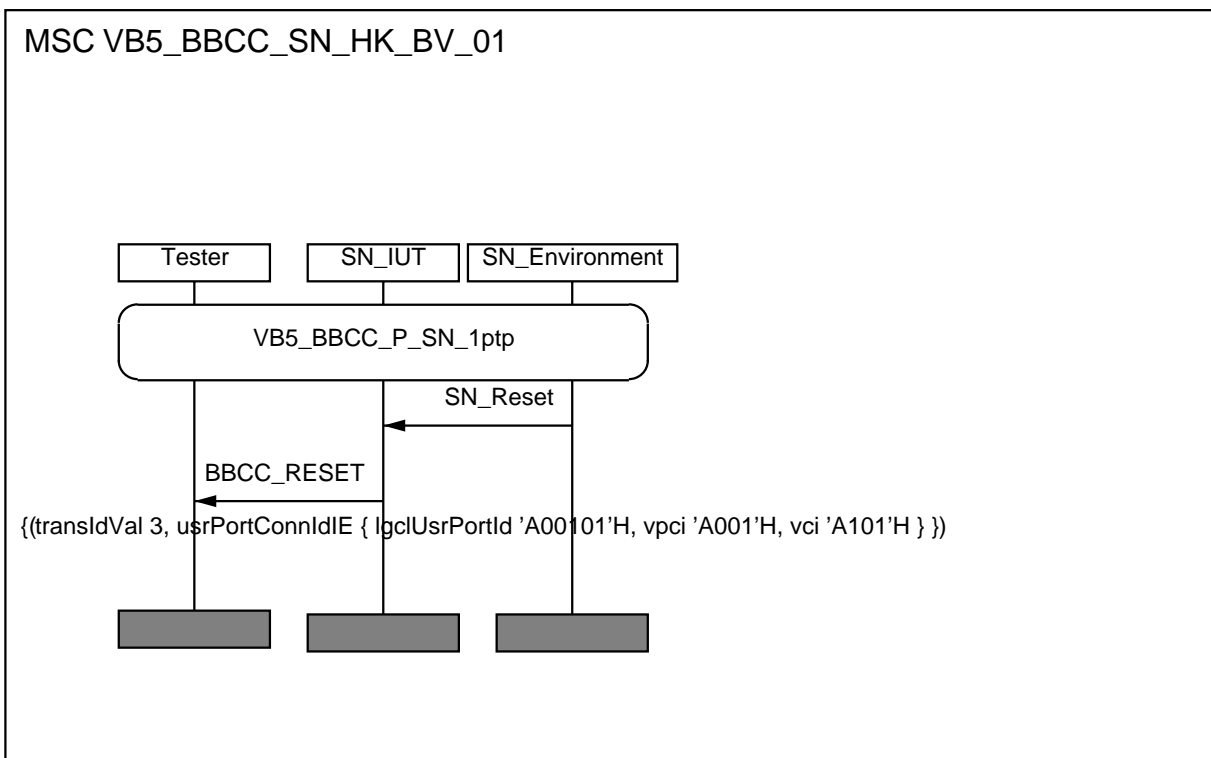


Figure 114

VB5_BBCC_SN_HK_BV_02		Reference EN 301 217-1 [3]: 13.6.4.1
Purpose	Check Reset VCC at Service port	
Test description	The tester issues an implicit send to cause the IUT to initiate a RESET procedure for a VCC at the Service Port	
Pass criteria	Check that the tester is receiving a BBCC_RESET PDU with mandatory parameters	
Selection	None	
Preamble	P_SN_1ptp	
Postamble	None	
Additional testing	None	

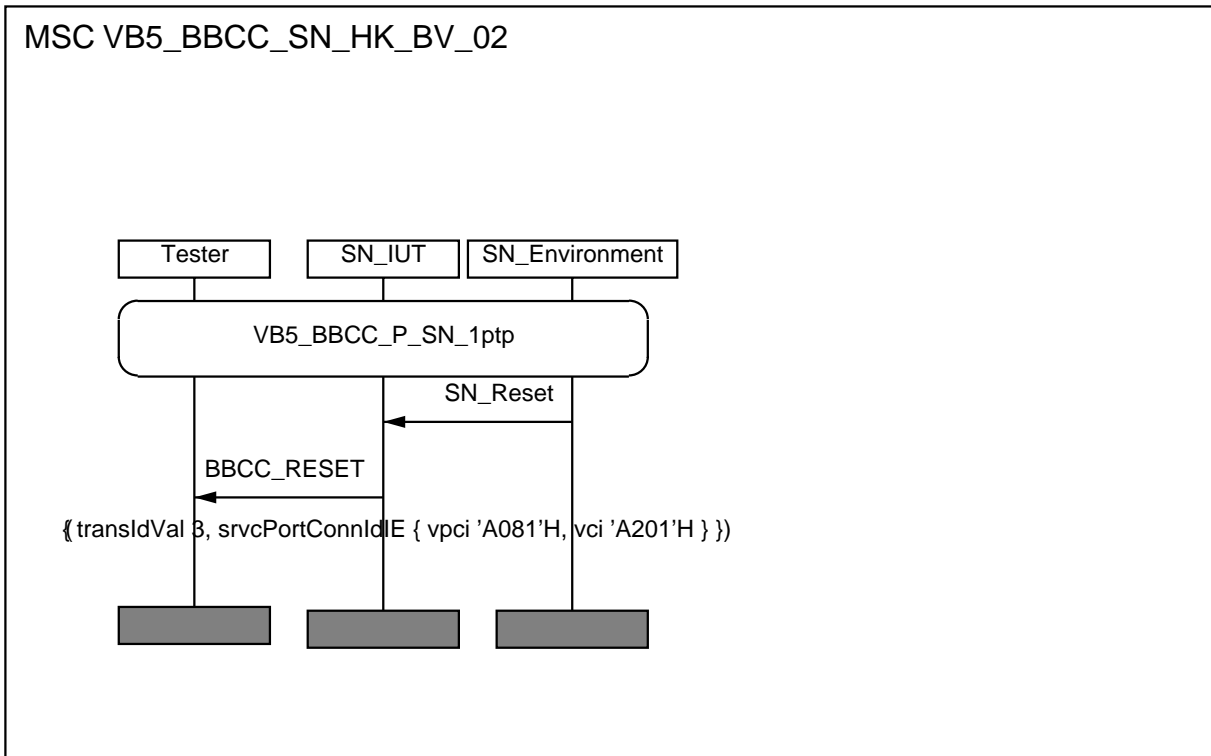


Figure 115

VB5_BBCC_SN_HK_BV_03		Reference EN 301 217-1 [3]: 13.6.4.1
Purpose	Check Reset complete LSP	
Test description	The tester issues an implicit send to cause the IUT to initiate a RESET complete LSP procedure	
Pass criteria	Check that the tester is receiving a BBCC_RESET PDU with mandatory parameters	
Selection	None	
Preamble	P_SN_1ptp	
Postamble	None	
Additional testing	None	

MSC VB5_BBCC_SN_HK_BV_03

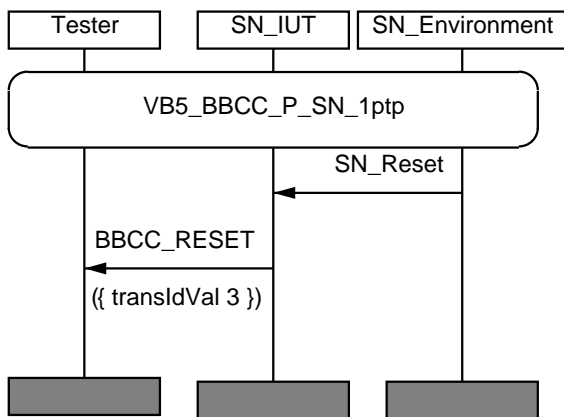


Figure 116

VB5_BBCC_SN_HK_TI_01		Reference EN 301 217-1 [3]: 13.6.4.1
Purpose	Check T_BBCCReset timer	
Test description	The tester issues an implicit send to cause the IUT to initiate a RESET complete LSP procedure. The tester is receiving a BBCC_RESET PDU with mandatory parameters, and it does not answer with BBCC_RESET_ACC within T_BBCCReset time	
Pass criteria	Check that the tester is receiving a second BBCC_RESET PDU with mandatory parameters within the acceptance time window, meaning that the first PDU was discarded when time out occurred	
Selection	None	
Preamble	P_SN_1ptp	
Postamble	None	
Additional testing	None	

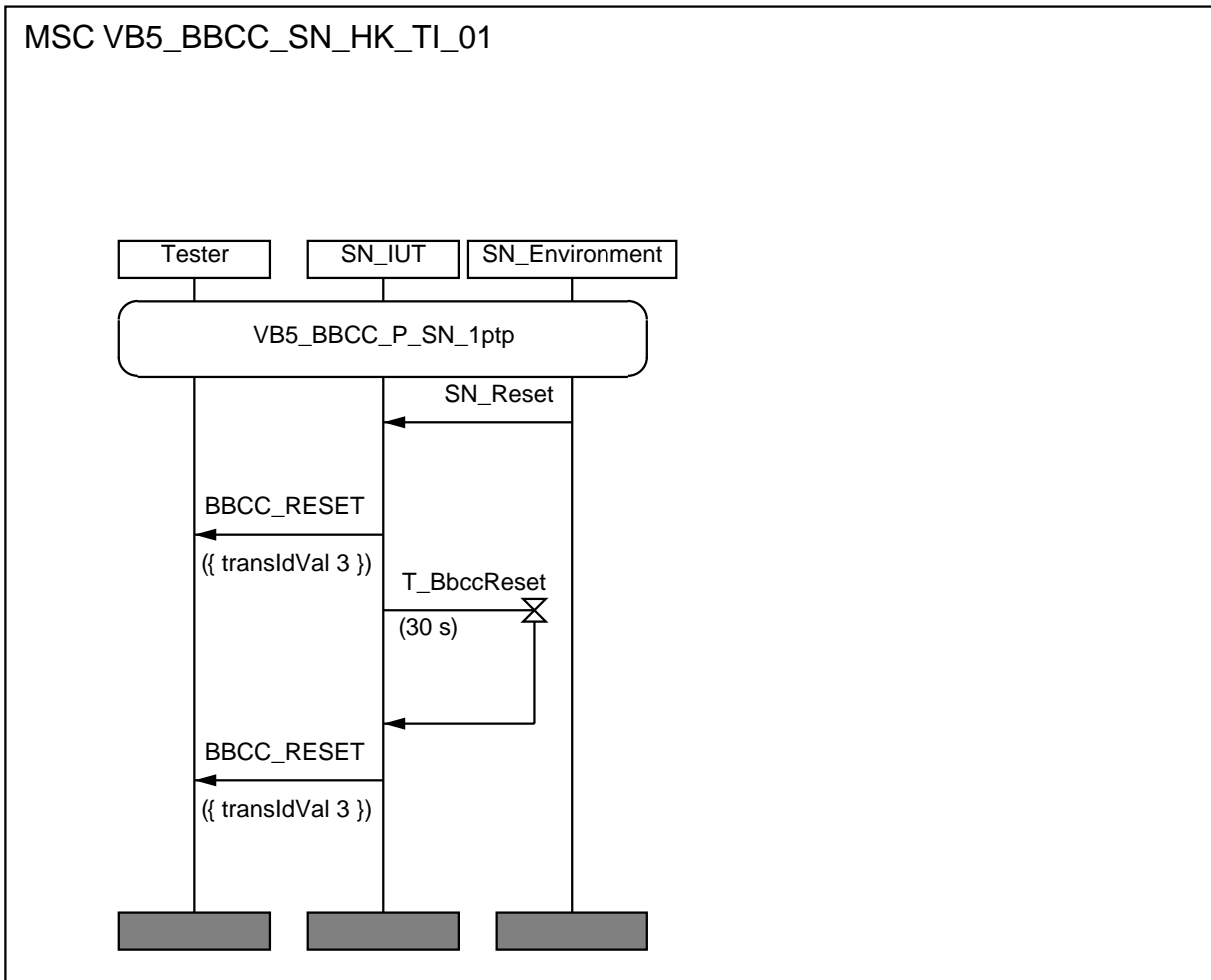


Figure 117

6.2.7.2 AN fault procedure

VB5_BBCC_SN_HK_BV_04		Reference EN 301 217-1 [3]: 13.6.4.2
Purpose	Check AN fault procedure	
Test description	The tester issues an AN fault PDU	
Pass criteria	Check that the tester is receiving AN_FAULT_ACC PDU containing mandatory parameters	
Selection	None	
Preamble	P_SN_1ptp	
Postamble	None	
Additional testing	CeeAnFaultInd is sent to SN environment	

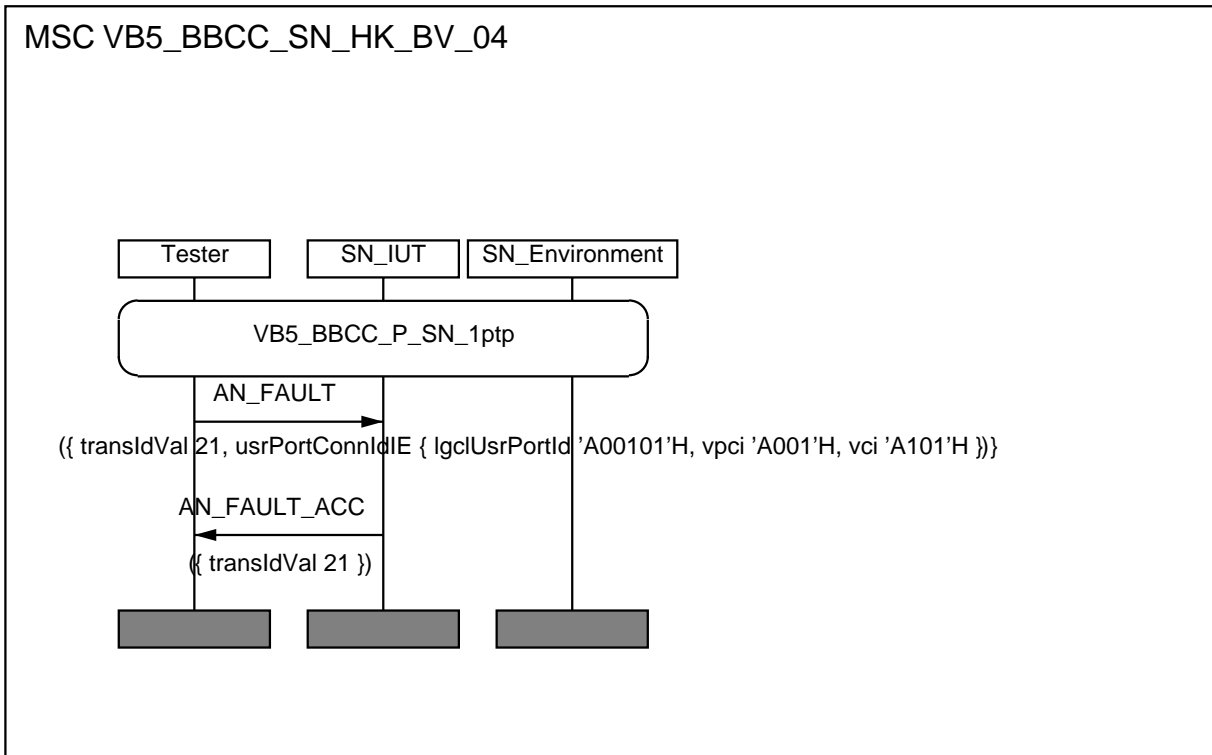


Figure 118

6.2.7.3 BBCC restart procedure

VB5_BBCC_SN_HK_BV_05		Reference EN 301 217-1 [3]: 13.6.4.6
Purpose	Check BBCC pre-sync procedure	
Test description	The tester issues an implicit send to cause the IUT to initiate a BBCC_PRESYNC procedure	
Pass criteria	Check that the tester is receiving a BBCC_PRESYNC PDU with mandatory parameters for a complete LSP	
Selection	None	
Preamble	P_SN_1ptp	
Postamble	None	
Additional testing	None	

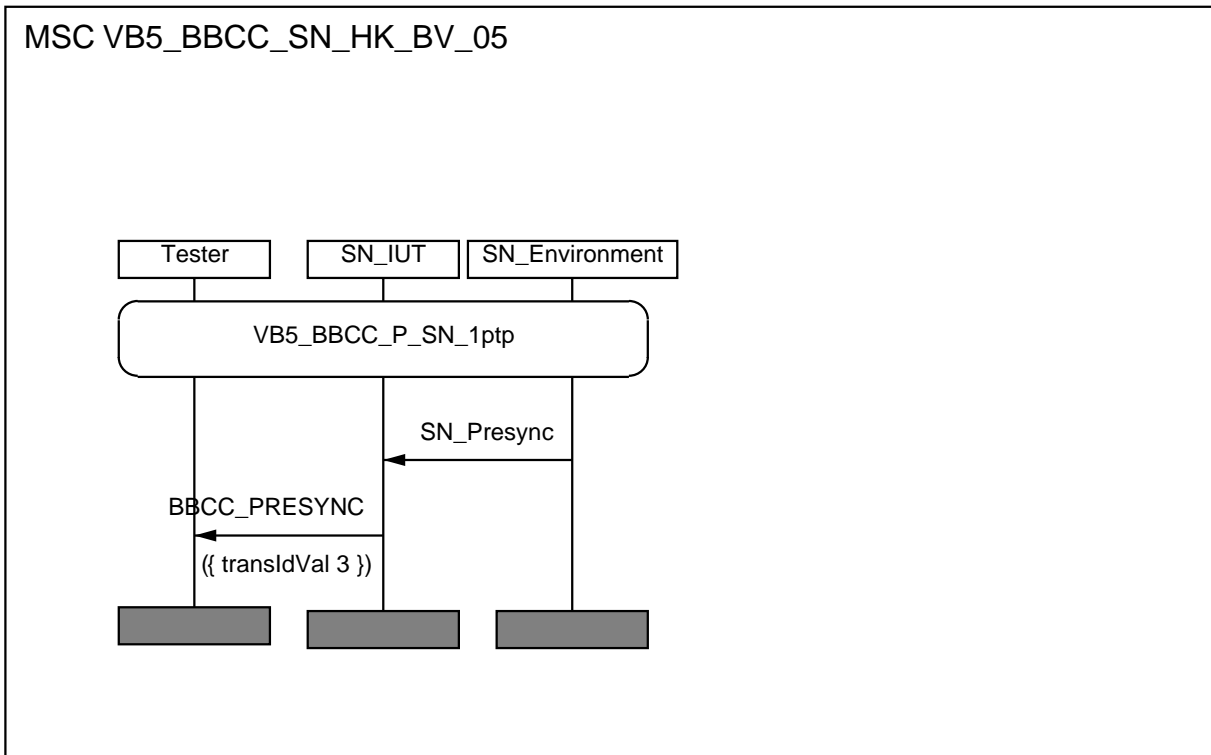


Figure 119

VB5_BBCC_SN_HK_TI_02		Reference EN 301 217-1 [3]: 13.6.4.3
Purpose	Check BBCC pre-sync timer	
Test description	The tester issues an implicit send to cause the IUT to initiate a BBCC_PRESYNC procedure (LSP). The tester is receiving a BBCC_PRESYNC PDU with mandatory parameters, and it does not answer with BBCC_PRESYNC_ACC within T_BBCCPreSync time	
Pass criteria	Check that the tester is receiving a second BBCC_PRESYNC PDU with mandatory parameters for one VPC at LSP within the acceptance time window, meaning that the first PDU was discarded when time out occurred	
Selection	None	
Preamble	P_SN_1ptp	
Postamble	None	
Additional testing	BBCC_RESET occurs after second BBCC_PRESYNC	

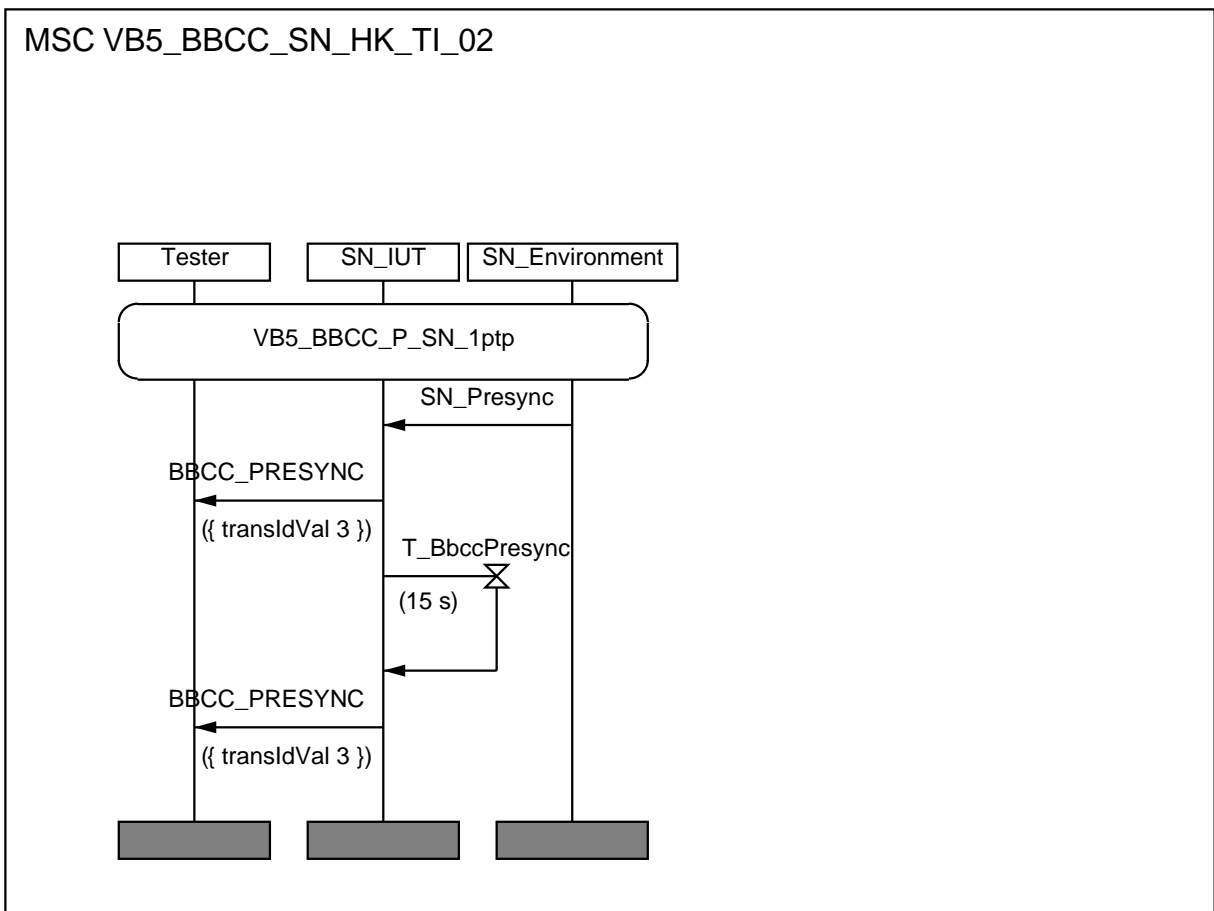


Figure 120

VB5_BBCC_SN_HK_BV_06	Reference EN 301 217-1 [3]: 13.6.4.6, 13.6.1.5.5
Purpose	Check BBCC restart procedure
Test description	The tester issues an implicit send to cause the IUT to initiate a BBCC_PRESYNC procedure (LSP). The tester is receiving a BBCC_PRESYNC PDU with mandatory parameters, and it answers with BBCC_PRESYNC_REJ within T_BBCCPreSync time
Pass criteria	Check that the tester is receiving a BBCC_RESET PDU with mandatory parameters for one VPC at LSP
Selection	None
Preamble	P_SN_1ptp
Postamble	None
Additional testing	meeStartBBCCResetInd is sent to SN environment

MSC VB5_BBCC_SN_HK_BV_06

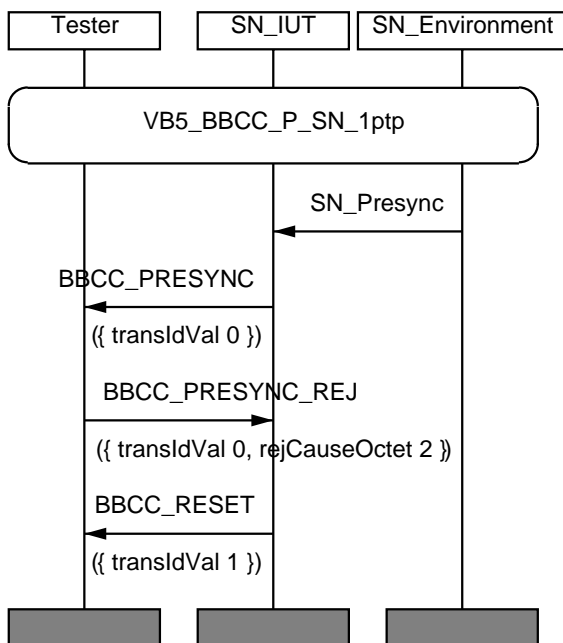


Figure 121

6.2.8 Common Error Handling (CEH) procedure

6.2.8.1 Error Handling on Message Header

This subclause includes the checking of miscellaneous protocol error detections by the IUT, the errors being provoked by the tester.

VB5_BBCC_SN_CEH_BI_01	Reference EN 301 217-1 [3]: 13.6.1.5.1
Purpose	Check detection of wrong protocol discriminator
Test description	The tester sends AN_FAULT PDU to the IUT, with protocol discriminator set to invalid value (value "AA"H is used)
Pass criteria 1	Check that the tester is not receiving AN_FAULT_ACC PDU, meaning that the PDU is discarded
Test description	The tester now sends AN_FAULT PDU to the IUT, with protocol discriminator set to valid value (value "49"H)
Pass criteria 2	Check that the tester is receiving AN_FAULT_ACC PDU, meaning that the previous PDU was discarded properly
Selection	None
Preamble	P_SN_1ptp
Postamble	None
Additional testing	meeErrorInd is sent to SN environment when wrong protocol discriminator is detected

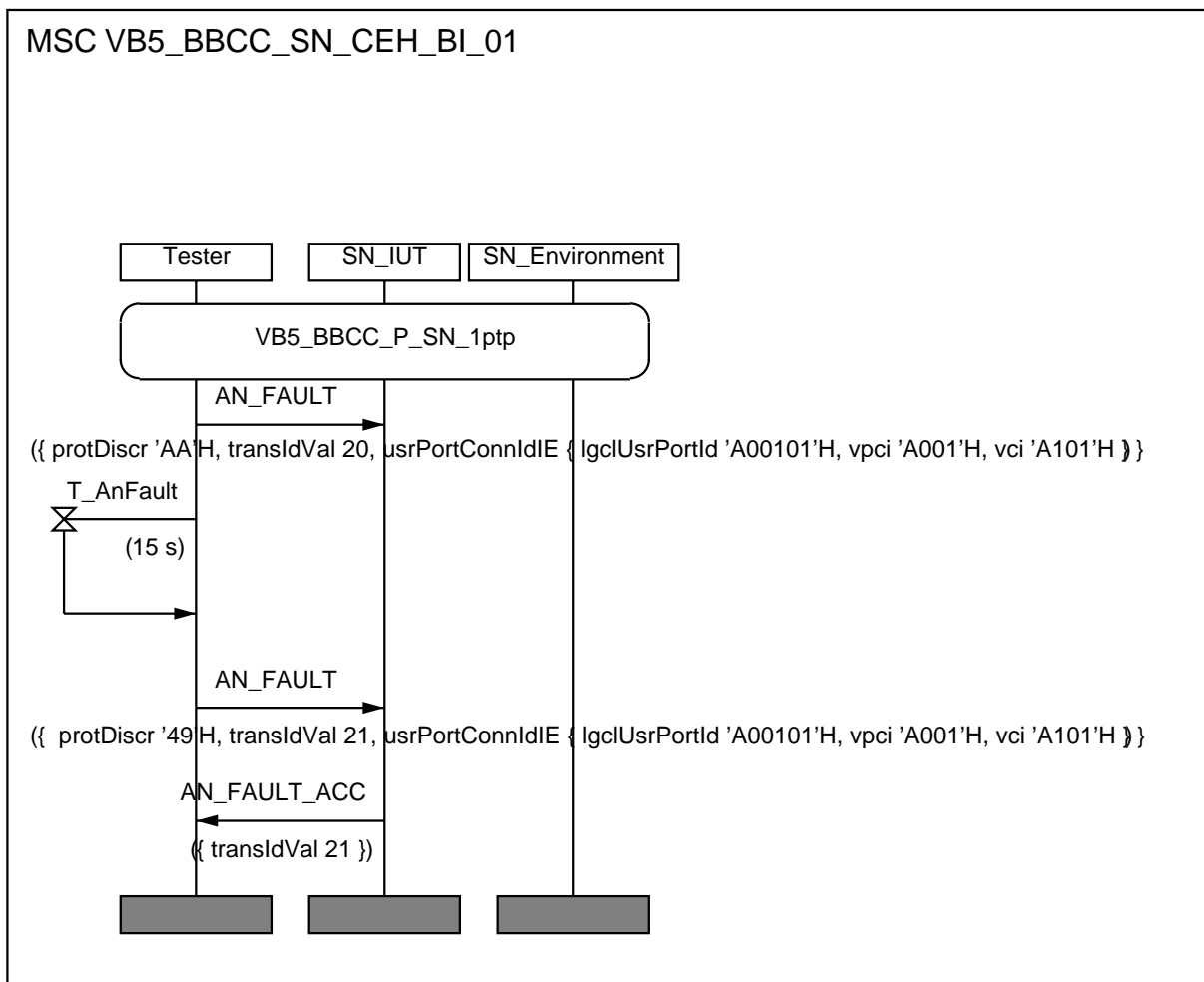


Figure 122

VB5_BBCC_SN_CEH_BI_02	Reference EN 301 217-1 [3]: 13.6.1.5.1
Purpose	Check detection of wrong transaction identifier format
Test description	The tester sends AN_FAULT PDU to the IUT, with bits 5 to 8 of element octet 1 are different from 0000 (set to 1010)
Pass criteria 1	Check that the tester is not receiving AN_FAULT_ACC PDU, meaning that the PDU is discarded
Test description	The tester now sends AN_FAULT PDU to the IUT, with correct transaction identifier
Pass criteria 2	Check that the tester is receiving AN_FAULT_ACC PDU, meaning that the previous PDU was discarded properly
Selection	None
Preamble	P_SN_1ptp
Postamble	None
Additional testing	meeErrorInd is sent to SN environment when wrong transaction identifier format is detected

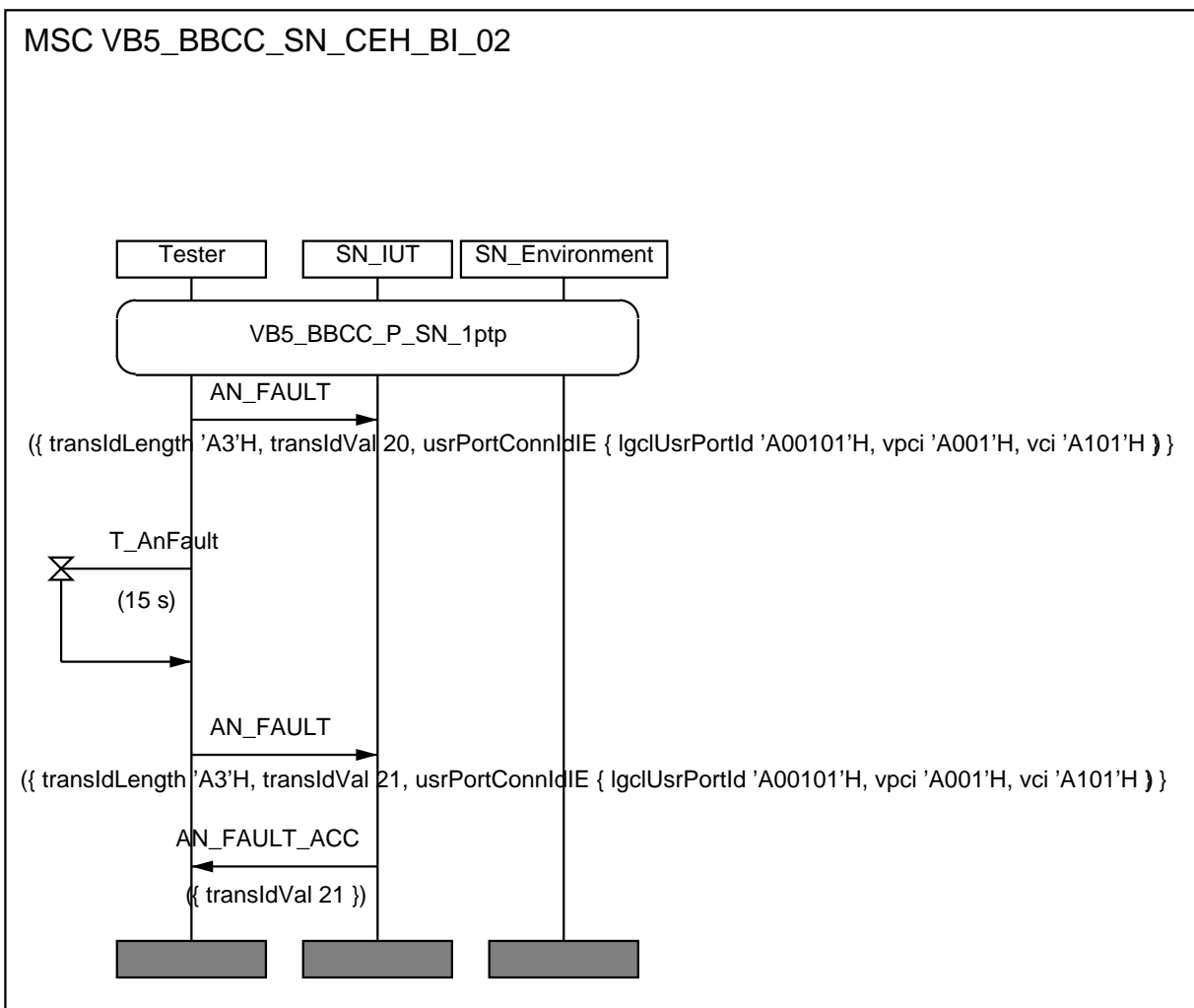


Figure 123

VB5_BBCC_SN_CEH_BI_03	Reference EN 301 217-1 [3]: 13.6.1.5.1
Purpose	Check detection of wrong length of transaction identifier
Test description	The tester sends AN_FAULT PDU to the IUT, with bits 1 to 4 of element octet 1 are different from length = 3 (set to 1010)
Pass criteria 1	Check that the tester is not receiving AN_FAULT_ACC PDU, meaning that the PDU is discarded
Test description	The tester now sends AN_FAULT PDU to the IUT, with correct length of transaction identifier
Pass criteria 2	Check that the tester is receiving AN_FAULT_ACC PDU, meaning that the previous PDU was discarded properly
Selection	None
Preamble	P_SN_1ptp
Postamble	None
Additional testing	meeErrorInd is sent to SN environment when wrong length off transaction identifier format is detected

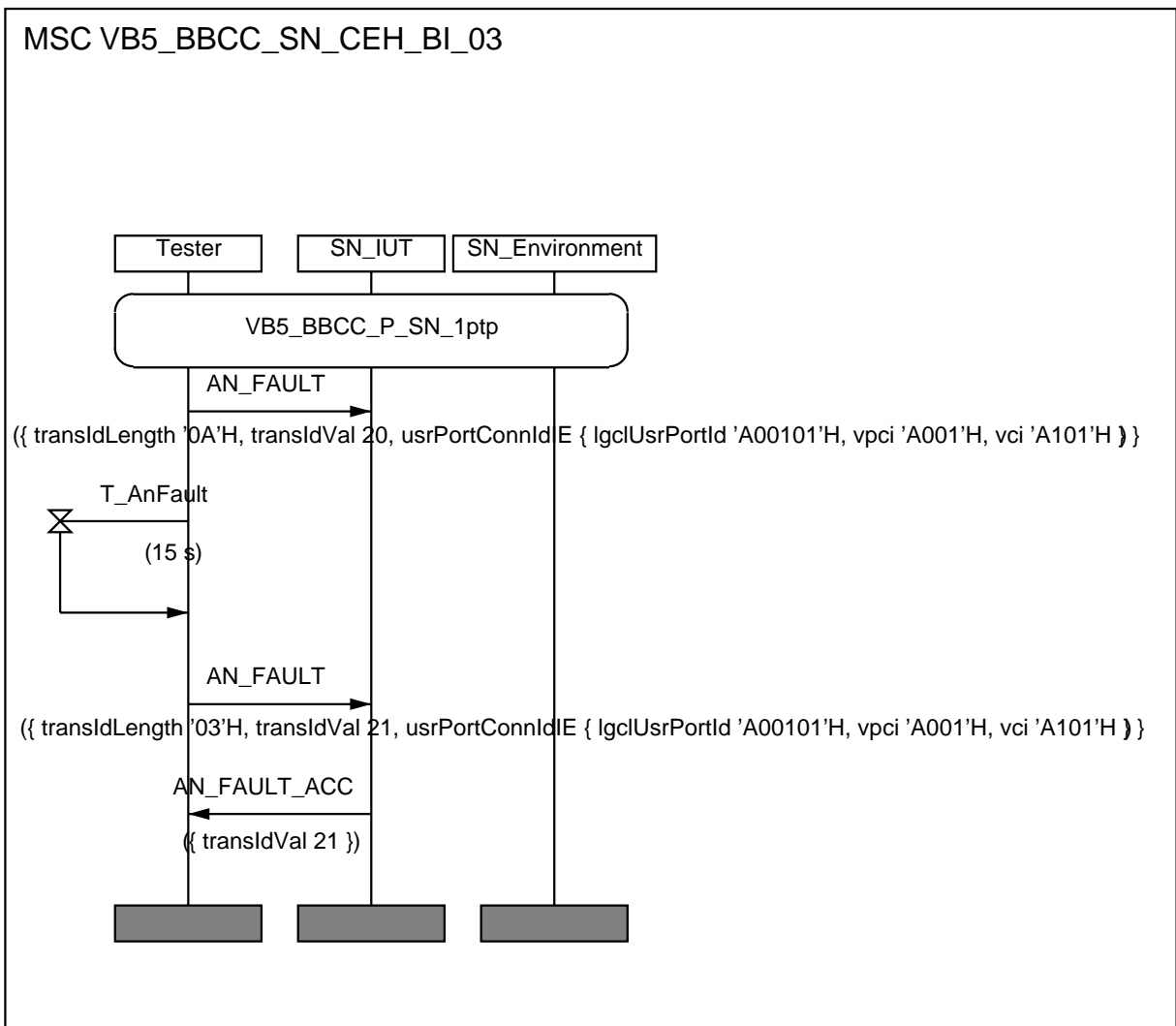


Figure 124

VB5_BBCC_SN_CEH_BI_04	Reference EN 301 217-1 [3]: 13.6.1.5.1
Purpose	Check detection of a message too short
Test description	The tester sends AN_FAULT PDU to the IUT, with data truncated (1 byte only for msg length instead of 2, then nothing)
Pass criteria 1	Check that the tester is not receiving AN_FAULT_ACC PDU, meaning that the PDU is discarded
Test description	The tester now sends AN_FAULT PDU to the IUT, with correct length and parameters
Pass criteria 2	Check that the tester is receiving AN_FAULT_ACC PDU, meaning that the previous PDU was discarded properly
Selection	None
Preamble	P_SN_1ptp
Postamble	None
Additional testing	meeErrorInd is sent to SN environment when wrong length of message is detected

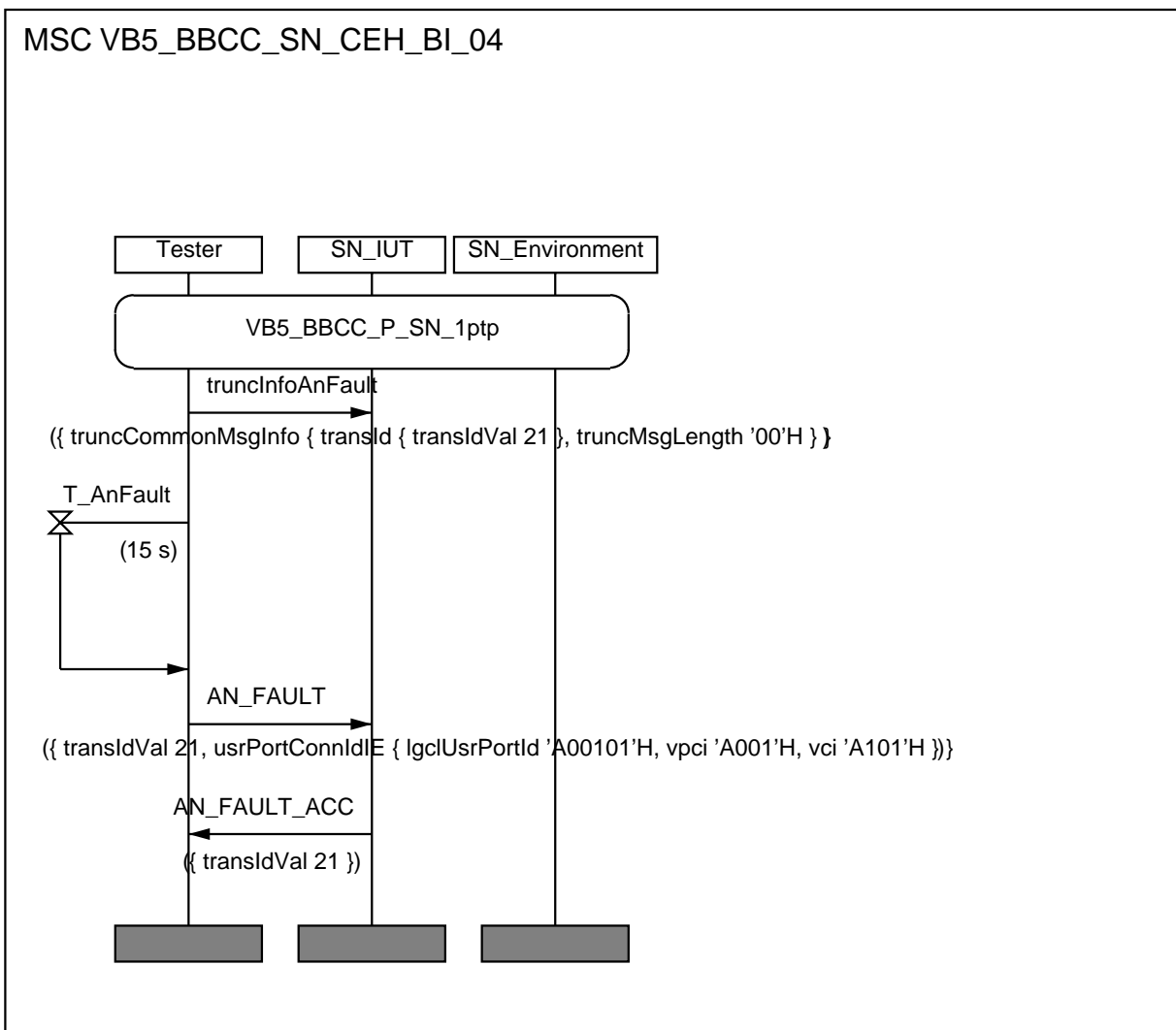


Figure 125

VB5_BBCC_SN_CEH_BI_05	Reference EN 301 217-1 [3]: 13.6.1.5.1
Purpose	Check detection of a wrong transaction identifier value
Test description	The tester issues an implicit send to cause the IUT to initiate a RESET procedure. The tester is receiving BBCC_RESET PDU then it answers with BBCC_RESET_ACC PDU including a wrong transaction identifier
Pass criteria	Check that the tester is receiving a second BBCC_RESET PDU, meaning that the BBCC_RESET_ACC PDU was discarded and a time out on BBCC_RESET occurred
Selection	None
Preamble	P_SN_start
Postamble	None
Additional testing	

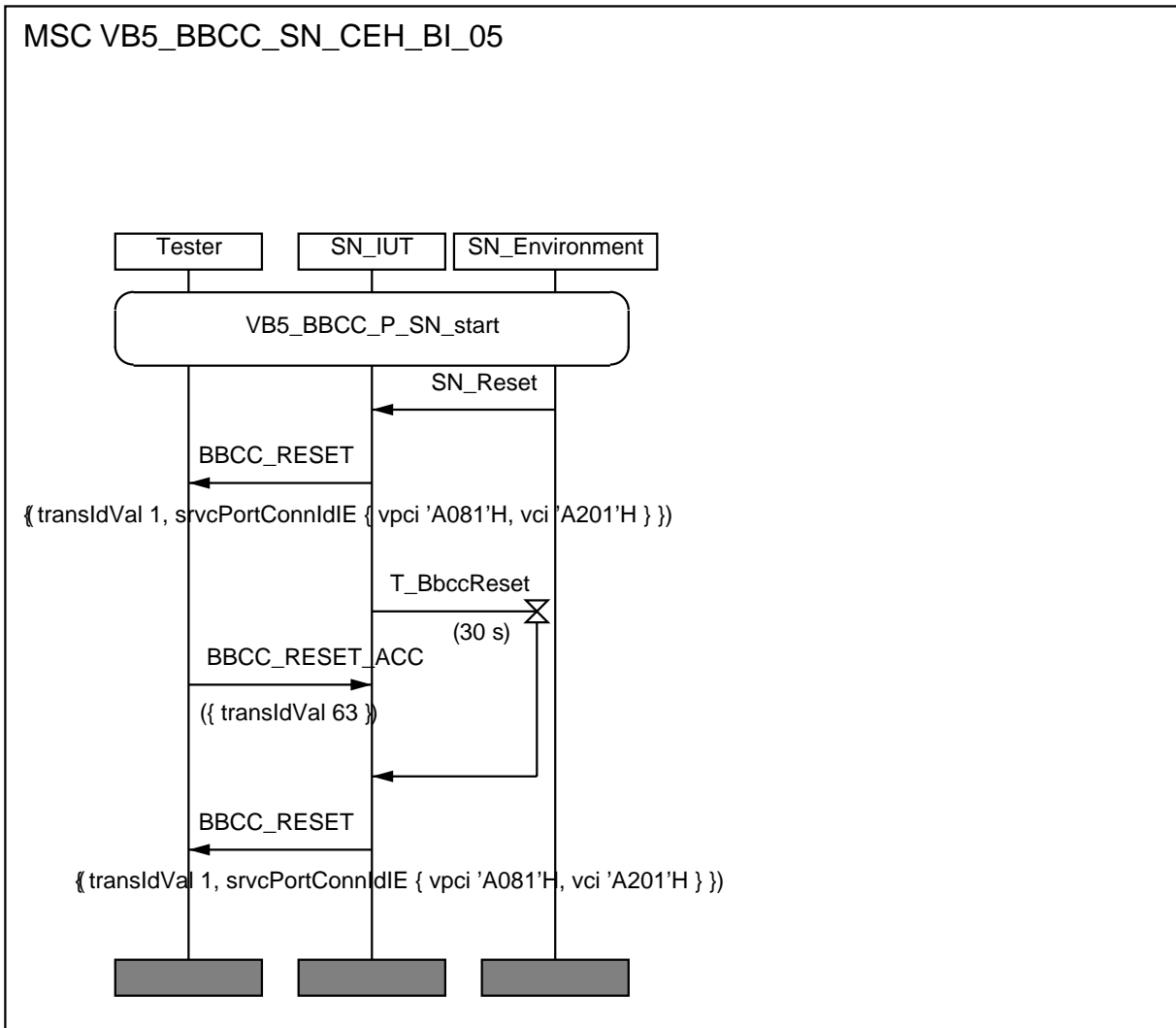


Figure 126

VB5_BBCC_SN_CEH_BI_06	Reference EN 301 217-1 [3]: 13.6.1.5.1
Purpose	Check detection of a wrong transaction identifier flag
Test description	The tester sends AN_FAULT PDU to the IUT, with transaction identifier flag set to 1 as for an ACK
Pass criteria 1	Check that the tester is not receiving AN_FAULT_ACC PDU, meaning that the PDU is discarded
Test description	The tester now sends AN_FAULT PDU to the IUT, with correct parameters
Pass criteria 2	Check that the tester is receiving AN_FAULT_ACC PDU, meaning that the previous PDU was discarded properly
Selection	None
Preamble	P_SN_1ptp
Postamble	None
Additional testing	meeErrorInd is sent to SN environment when wrong transaction identifier flag is detected

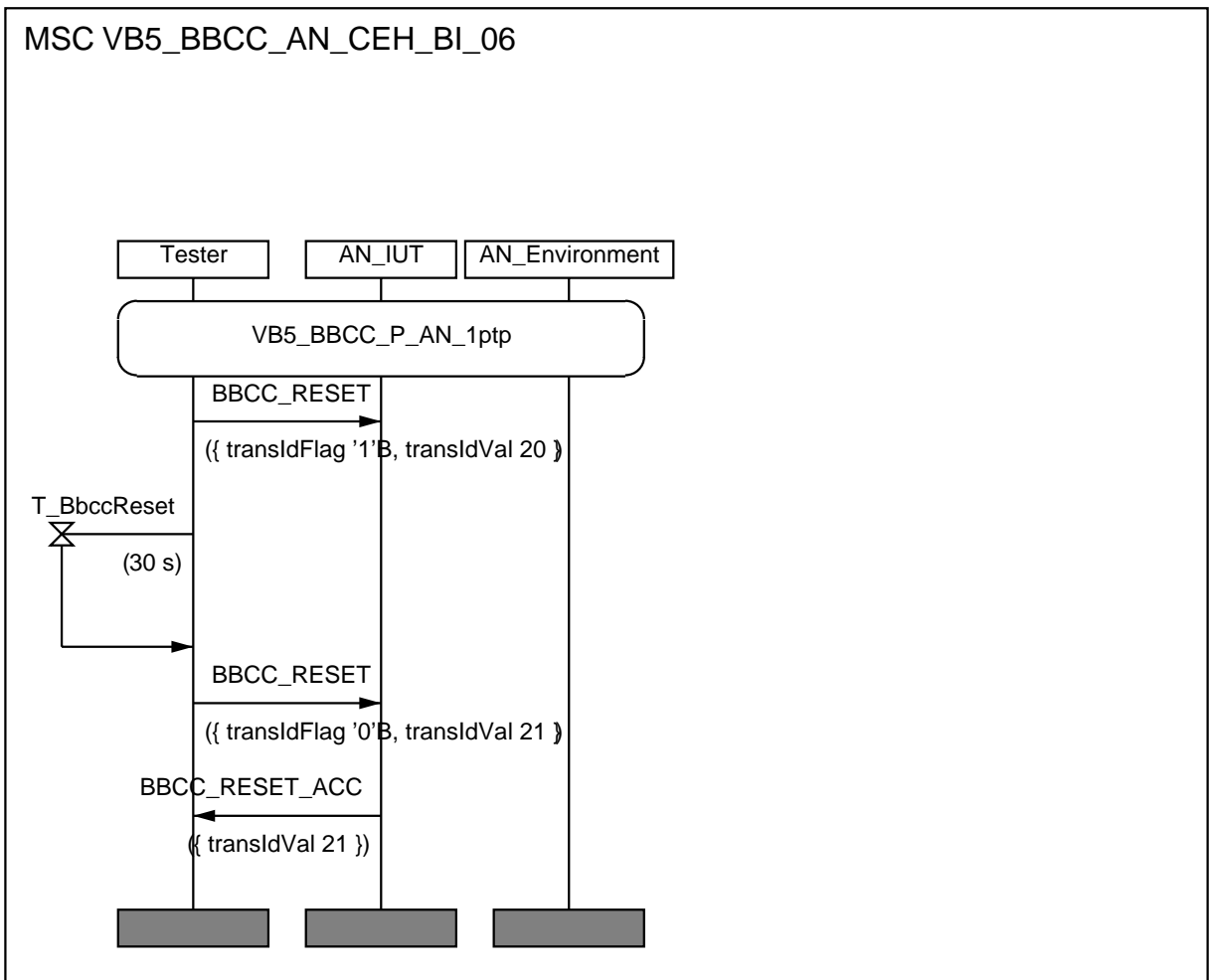


Figure 127

VB5_BBCC_SN_CEH_BI_07	Reference EN 301 217-1 [3]: 13.6.1.5.1
Purpose	Check detection of a wrong message type
Test description	The tester sends an unknown PDU to the IUT (msg type='AB'H)
Pass criteria	Check that the tester is receiving BBCC_PROTOCOL_ERROR , with Protocol error cause value = unrecognized message type, meaning that the PDU is unknown
Selection	None
Preamble	P_SN_1ptp
Postamble	None
Additional testing	meeErrorInd is sent to SN environment when wrong message type is detected

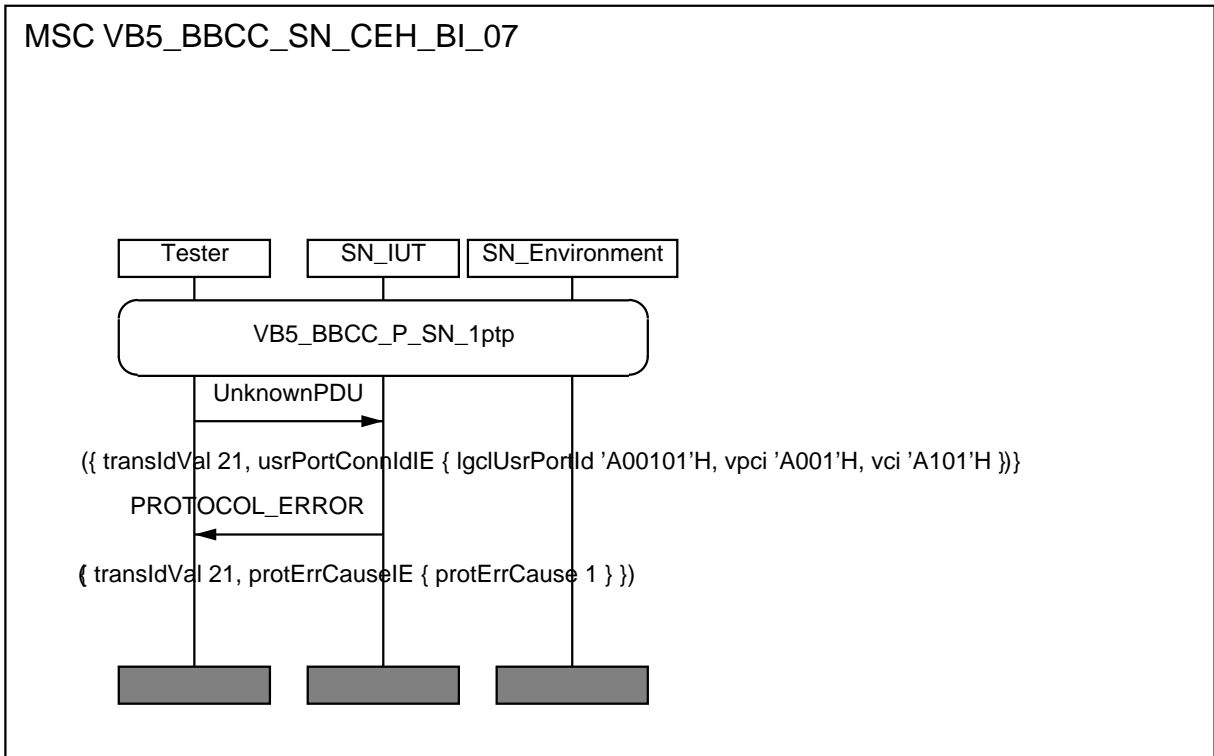


Figure 128

6.2.8.2 Error Handling on Information Element (IE)

VB5_BBCC_SN_CEH_BI_11	Reference EN 301 217-1 [3]: 13.6.1.5.1
Purpose	Check detection of a missing Information Element (IE)
Test description	The tester sends AN_FAULT PDU to the IUT, which has no IE, msg length null
Pass criteria	Check that the tester is receiving BBCC_PROTOCOL_ERROR , with Protocol error cause value = mandatory IE missing, meaning that the PDU is incomplete
Selection	None
Preamble	P_SN_1ptp
Postamble	None
Additional testing	meeErrorInd is sent to SN environment when error is detected

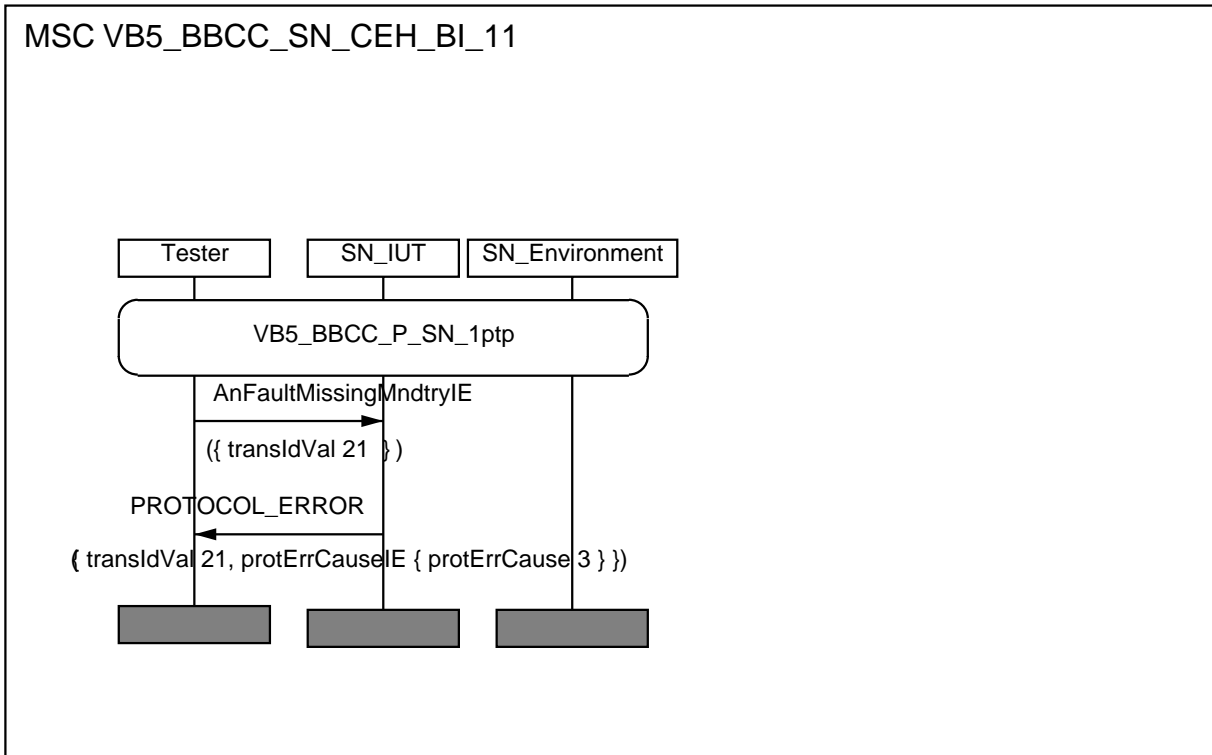


Figure 129

VB5_BBCC_SN_CEH_BI_12	Reference EN 301 217-1 [3]: 13.6.1.5.1
Purpose	Check discarding of an unknown Information Element (IE)
Test description	The tester sends AN_FAULT PDU to the IUT, which has an additional unknown IE
Pass criteria	Check that the tester is receiving AN_FAULT_ACC , meaning that the IUT has treated correctly the valid information and has discarded the unknown IE
Selection	None
Preamble	P_SN_1ptp
Postamble	None
Additional testing	ceeBBCCResetInd is sent to SN environment

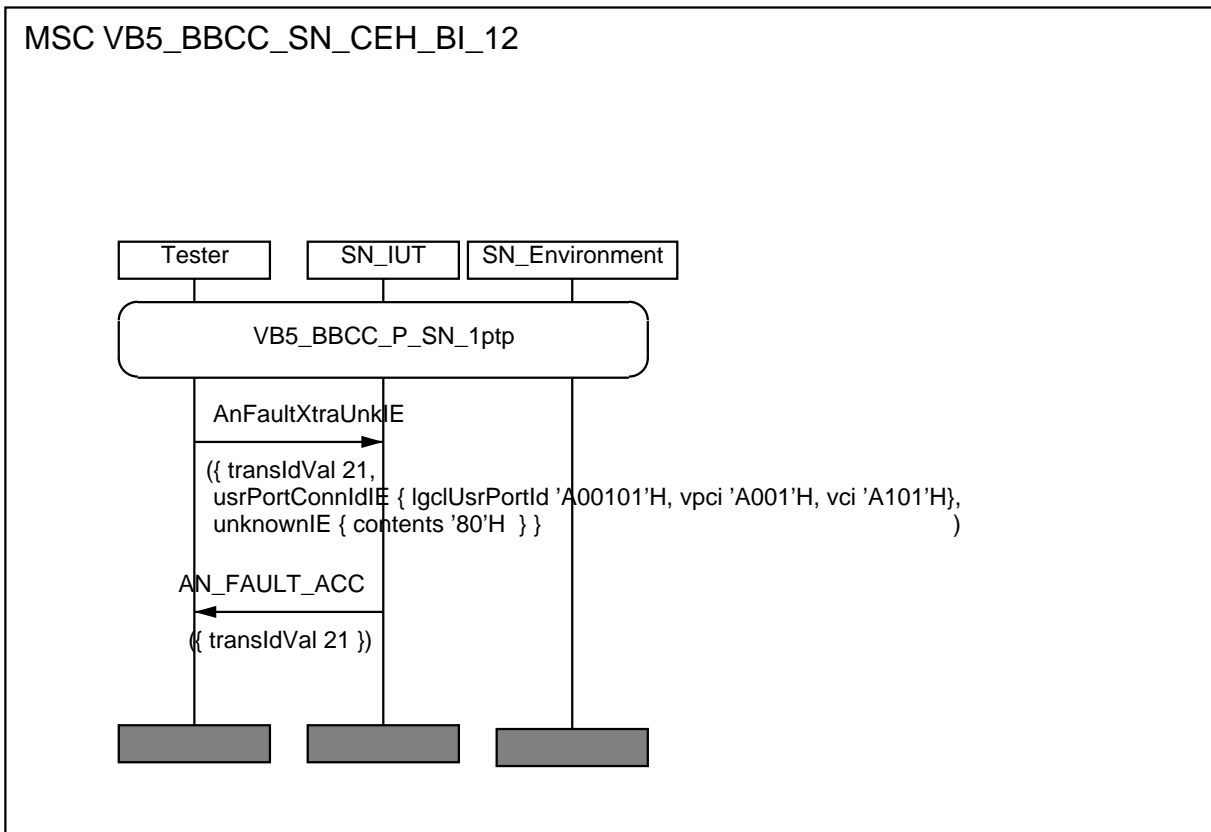


Figure 130

VB5_BBCC_SN_CEH_BI_13		Reference EN 301 217-1 [3]: 13.6.1.5.1
Purpose	Check discarding of an Information Element (IE) unexpected recognized	
Test description	The tester sends AN_FAULT PDU to the IUT, which has an IE not allowed in this PDU type	
Pass criteria	Check that the tester is receiving AN_FAULT_ACC , meaning that the IUT has treated correctly the valid information and has discarded the unexpected IE	
Selection	None	
Preamble	P_SN_1ptp	
Postamble	None	
Additional testing	ceeBBCCResetInd is sent to SN environment	

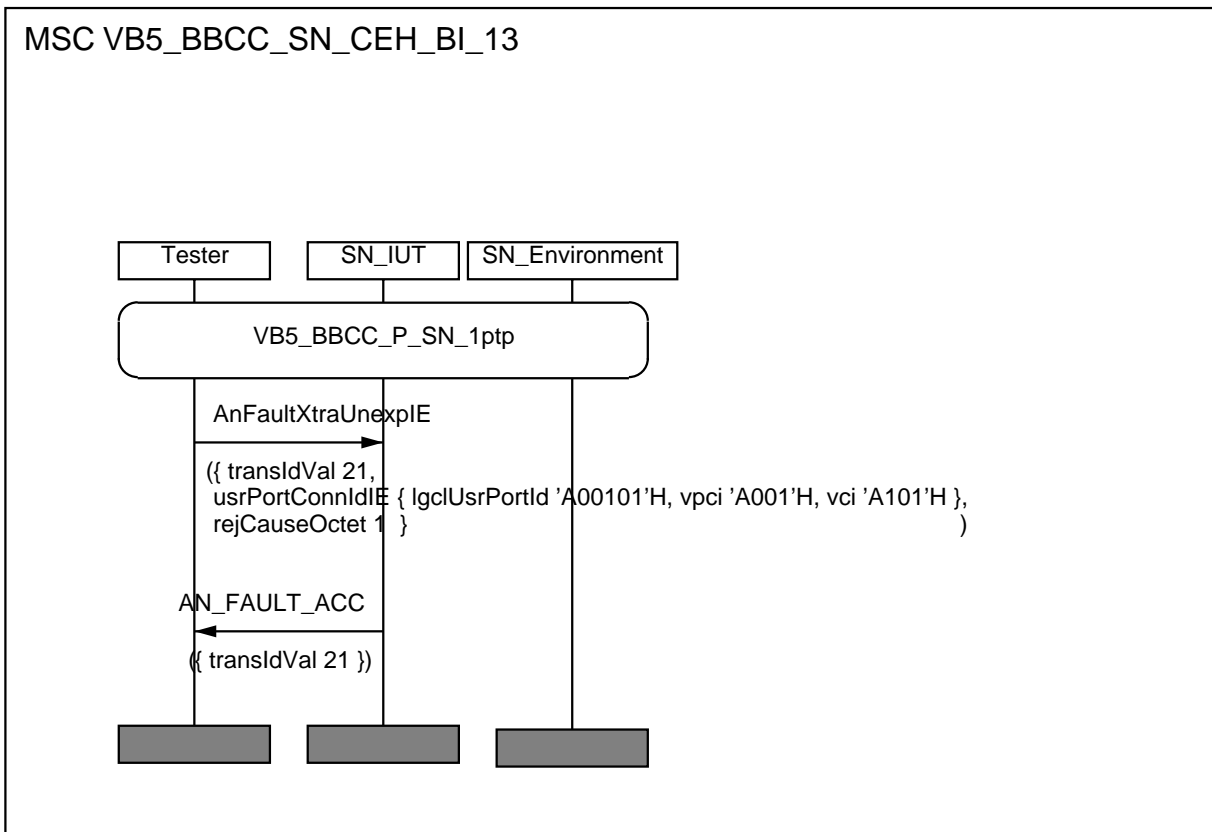


Figure 131

Annex A (informative): PIXIT parameters and the informative values used

A.1 Parameter values as used in the MSCs

A.1.1 Diagram of connections used in the test suites

Figure A.1 shows the different connection configurations, which have been defined for the tests. The numeric values reserved for the different parameters are all shown in hexadecimal coding. Unknown connections or branches are represented as dotted lines. Parameter values, which have been reserved but are not used, are shown in italics.

In the diagrams which illustrate the test purposes, these numeric values are displayed, but for connection reference numbers and branch identifiers the decimal equivalents have been displayed, since the SDL model used for simulation has defined these parameters as decimal types.

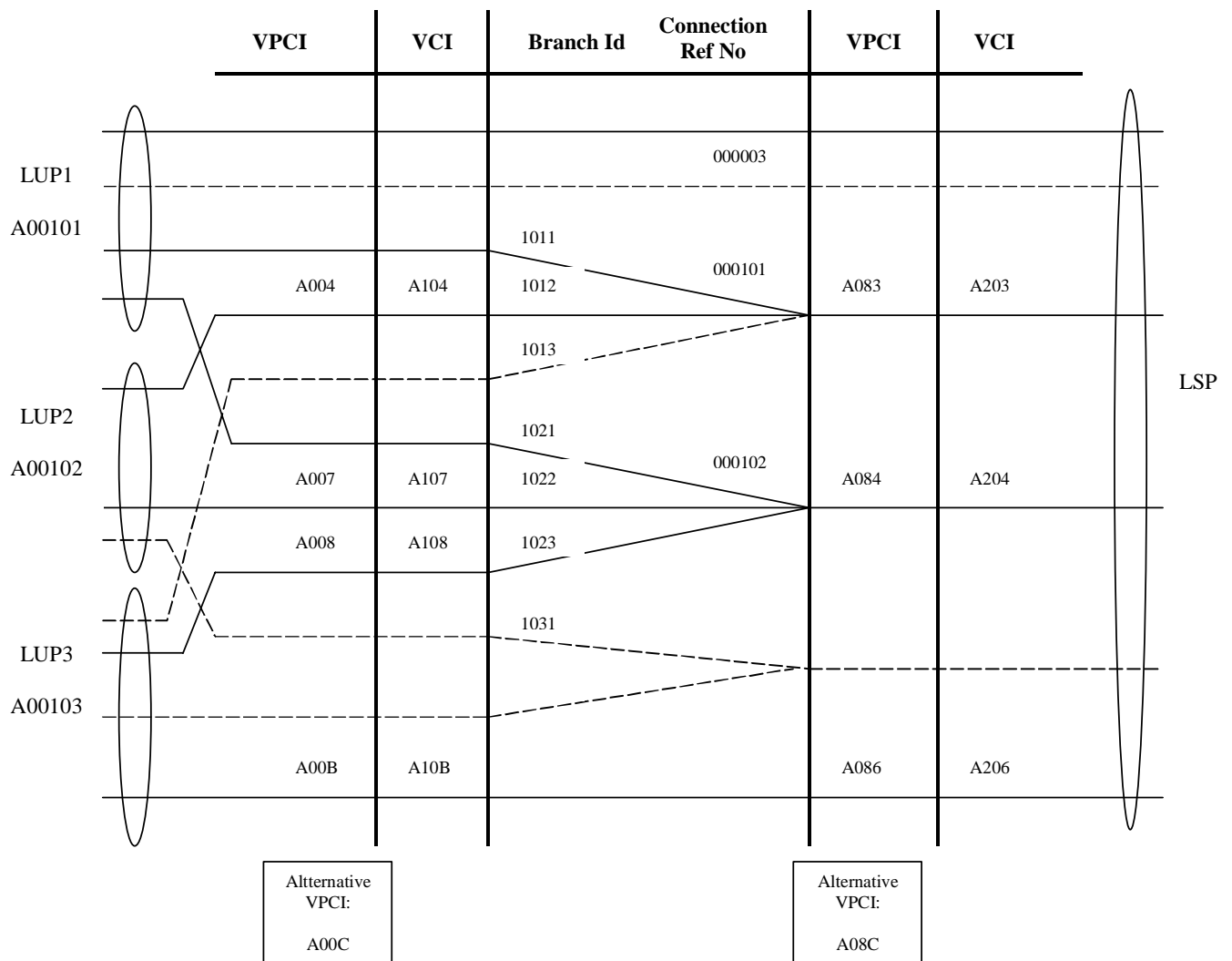


Figure A.1: Diagram of connections used in test suites

In the TTCN test suite, PIXIT parameters are used to represent all these values. The list of these parameters is part of table A.1.

A.1.2 Table of PIXIT parameters

Table A.1 is extracted from the PIXIT proforma for the test suite, and completed with the arbitrary values used to create the MSCs. Among these are the values used in figure A.1.

"Unknown" means non-allocated in the case of "Connection reference" or non-established in the case of "Branch".

Table A.1 PIXIT Parameter values

Item	Parameter name	Parameter type (ASN1)	Explanation	Value in MSCs
1	PIX_ALLOC_COMP_REJ	BOOLEAN	Guides the Connection Control Function	True/False
2	PIX_MODIFY_COMP_REJ_	BOOLEAN	Guides the Connection Control Function	True/False
3	PIX_MODIFY_ABORT_REJ	BOOLEAN	Guides the Connection Control Function	True/False
4	PIX_BBCC_PRESYNC_REJ	BOOLEAN	Guides the Connection Control Function	True/False
5	PIX_simulate_congestion	BOOLEAN	Guides the Connection Control Function	True/False
6	PIX_ConnRefNoVal_PtP1	ConnRefNoVal	Point to point connection	"000001"H or 1
7	PIX_ConnRefNoVal_PtP2	ConnRefNoVal	Point to point connection	"000002"H or 2
8	PIX_ConnRefNoVal_Unknown_PtP	ConnRefNoVal	Unknown Point to point connection	"000003"H or 3
9	PIX_ConnRefNoVal_PtM1	ConnRefNoVal	Point to Multipoint connection, two branches	"000101"H or 257
10	PIX_ConnRefNoVal_PtM2	ConnRefNoVal	Point to Multipoint connection, three branches	"000102"H or 258
11	PIX_ConnRefNoVal_Unknown_PtM	ConnRefNoVal	Unknown Point to Multipoint connection	"000103"H or 259
12	PIX_PtM1_BranchId1	BranchIdVal	Branch Id 1 of PtM1	"1011"H or 4113
13	PIX_PtM1_BranchId2	BranchIdVal	Branch Id 2 of PtM1	"1012"H or 4114
14	PIX_PtM1_Unknown_BranchId	BranchIdVal	Branch Id unknown of PtM1	"1013"H or 4115
15	PIX_PtM2_BranchId1	BranchIdVal	Branch Id 1 of PtM2	"1021"H or 4129
16	PIX_PtM2_BranchId2	BranchIdVal	Branch Id 2 of PtM2	"1022"H or 4130
17	PIX_PtM2_BranchId3	BranchIdVal	Branch Id 3 of PtM2	"1023"H or 4131
18	PIX_PtMu_BranchId1	BranchIdVal	Branch Id 1 of PtMu	"1031"H or 4145
19	PIX_LUP_Id1	LogId	LUP Id	"A00101"H
20	PIX_LUP_Id2	LogId	LUP Id	"A00102"H
21	PIX_LUP_Id3	LogId	LUP Id	"A00103"H
22	PIX_LUP_VPCI1	VPCI	VPCI at LUP ptp1	"A001"H
23	PIX_LUP_VPCI2	VPCI	VPCI at LUP invalid	"A002"H
24	PIX_LUP_VPCI3	VPCI	VPCI at LUP ptm1	"A003"H
25	PIX_LUP_VPCI4	VPCI	VPCI at LUP ptm1	"A004"H
26	PIX_LUP_VPCI6	VPCI	VPCI at LUP ptm2	"A006"H
27	PIX_LUP_VPCI7	VPCI	VPCI at LUP ptm2	"A007"H
28	PIX_LUP_VPCI8	VPCI	VPCI at LUP ptm2	"A008"H
29	PIX_LUP_VPCIB	VPCI	VPCI at LUP ptp2	"A00B"H
30	PIX_LUP_VPCIC	VPCI	VPCI at LUP alternative	"A00C"H
31	PIX_LUP_VCI1	VCI	VCI at LUP ptp1	"A101"H
32	PIX_LUP_VCI2	VCI	VCI at LUP invalid	"A102"H
33	PIX_LUP_VCI3	VCI	VCI at LUP ptm1	"A103"H
34	PIX_LUP_VCI4	VCI	VCI at LUP ptm1	"A104"H
35	PIX_LUP_VCI6	VCI	VCI at LUP ptm2	"A106"H
36	PIX_LUP_VCI7	VCI	VCI at LUP ptm2	"A107"H

Item	Parameter name	Parameter type (ASN1)	Explanation	Value in MSCs
37	PIX_LUP_VCI8	VCI	VCI at LUP ptm2	"A108"H
38	PIX_LUP_VCI8	VCI	VCI at LUP ptp2	"A10B"H
39	PIX_LSP_VPCI1	VPCI	VPCI at LSP ptp1	"A081"H
40	PIX_LSP_VPCI3	VPCI	VPCI at LSP ptm1	"A083"H
41	PIX_LSP_VPCI4	VPCI	VPCI at LSP ptm2	"A084"H
42	PIX_LSP_VPCI6	VPCI	VPCI at LSP ptp2	'A086"H
43	PIX_LSP_VPCIC	VPCI	VPCI at LSP alternative	'A08C"H
44	PIX_LSP_VCI1	VCI	VCI at LSP ptp1	'A201"H
45	PIX_LSP_VCI3	VCI	VCI at LSP ptm1	'A203"H
46	PIX_LSP_VCI4	VCI	VCI at LSP ptm2	'A204"H
47	PIX_LSP_VCI6	VCI	VCI at LSP ptp2	'A206"H
48	PIX_endtoend_transit_delay	OCTET_STRING	Length is: (3-6) Default value is: 3	'010020"H
49	PIX_ATM_traffic_descriptor	OCTET_STRING	Length is: (0-50) Default value is: 2	'7100"H
50	PIX_ATM_altern_traffic_descriptor	OCTET_STRING	Length is: (0-50) Default value is: 2	'7200"H
51	PIX_minimum_ATM_traffic_descriptor or	OCTET_STRING	Length is: (0-50) Default value is: 2	'7300"H
52	PIX_OAM_traffic_descriptor	OCTET_STRING	Length is: (2) Default value is: 2	'7400"H
53	PIX_Broadband_capability	OCTET_STRING	Length is: (3-4) Default value is: 3	'751000"H
54	PIX_Broadband_capability_ABR	OCTET_STRING	Length is: (3-4) Default value is: 3	'752000"H
55	PIX_ABR_setup_parameter	OCTET_STRING	Length is: (2-28) Default value is: 2	'7600"H
56	PIX_QOS_parameter	OCTET_STRING	Length is: (2) Default value is: 2	'7700"H
57	PIX_CDVT_descriptor	OCTET_STRING	Length is: (3-18) Default value is: 3	'781000"H

A.1.3 Transaction identifier values

In the MSCs and by pure convention, the values taken for the transaction identifiers in the test case body (not in the preambles) show the direction of the PDUs. It takes values starting at 01 when the IUT initiates the PDU exchange, while it takes the values starting at 20 or 21 when the tester initiates the PDU exchange. In the case of ACK PDUs, this rule does not apply as the transaction Id value is taken from the incoming PDU.

A.1.4 Timer values

Most of the sendings of PDUs by the SN are protected by timers. When the answers to such PDUs are not received by the SN within this timer limit, the originating PDUs are sent a second time within a tolerance interval.

All these timer values are part of the PIXIT definition.

Table A.2 Timer values

Item	Parameter	Parameter type	Explanation	Value in MSCs
1	PIX_T_AnFault	integer	Timer value	15 sec
2	PIX_T_Alloc	integer	Timer value	15 sec
3	PIX_T_AllocComp	integer	Timer value	15 sec
4	PIX_T_BBCCReset	integer	Timer value	30 sec
5	PIX_T_BBCCPresync	integer	Timer value	15 sec
6	PIX_T_Dealloc	integer	Timer value	30 sec
7	PIX_T_Modify	integer	Timer value	15 sec
8	PIX_T_ModifyComp	integer	Timer value	15 sec
9	PIX_T_ModifyAbort	integer	Timer value	15 sec
10	PIX_T_AddBranch	integer	Timer value	15 sec
11	PIX_T_UpdateBranch	integer	Timer value	15 sec
12	PIX_T_DropBranch	integer	Timer value	30 sec
13	PIX_T_ConnEst	integer	Timer value	180 sec
14	PIX_T_Modification	integer	Timer value	180 sec
15	PIX_T_BranchEst	integer	Timer value	180 sec
16	PIX_T_BBCCStartup	integer	Timer value	180 sec
17	PIX_T_BBCCRestart	integer	Timer value	180 sec
18	PIX_T_supervision	integer	Supervision timer	

Annex B (informative): ASN.1 data declarations for the BBCC protocol

```

DataModule DEFINITIONS AUTOMATIC TAGS::=

BEGIN

ProtDiscr ::= OCTET STRING (SIZE(1)) --Always defaulted to '049'H, EN 301 005-4, Annex E

TransId ::= SEQUENCE --Transaction Identifier, EN 301 005-4, Annex E
{
  sparebits4          SpareBits4 DEFAULT '0000'B,
  lengthOfTransIdVal [1] BIT STRING (SIZE (4)) DEFAULT '0011'B,
  transIdFlag         [2] TransIdFlag,
  transIdVal          TransIdVal
}

MsgType ::= OCTET STRING (SIZE (1)) --EN 301 005-4, Annex E

MsgCompatInd ::= SEQUENCE --EN 301 005-4, Annex E
{
  extBitLast          ExtBitLast DEFAULT '1'B,
  spareBits2          SpareBits2 DEFAULT '00'B,
  compatFlag          CompatFlag,
  spareBits21         SpareBits2 DEFAULT '00'B,
  msgActInd           MsgActInd
}

MsgLength ::= OCTET STRING (SIZE (2)) -- EN 301 005-4, Annex E

TransIdFlag ::= BIT STRING (SIZE(1)) --EN 301 005-4, Annex E

TransIdVal ::= BIT STRING (SIZE (23)) --EN 301 005-4, Annex E

MsgActInd ::= BIT STRING (SIZE(2)) --Table 35, EN 301 005-1
  msgActIndReject      MsgActInd ::= '00'B --reject by PROTO_ERROR msg
  msgActIndDiscardAndIgnore MsgActInd ::= '01'B --discard and ignore
  msgActIndDiscardAndReport MsgActInd ::= '10'B --not used by this VB5.1 version
  --All other values are reserved

SpareBits4 ::= BIT STRING (SIZE(4)) --Always defaulted to '0000'B, EN 301 005-4, Annex E
SpareBits3 ::= BIT STRING (SIZE(3)) --Always defaulted to '000'B, EN 301 005-4, Annex E
SpareBits2 ::= BIT STRING (SIZE(2)) --Always defaulted to '00'B, EN 301 005-4, Annex E
SpareBits1 ::= BIT STRING (SIZE(1)) --Always defaulted to '0'B, EN 301 005-4, Annex E

ConnRefNoIE ::= SEQUENCE -- EN 301 217-1, subclause 14.3.6.2
{
  commonIEInfo        CommonIEInfo,
  connRefNoVal        ConnRefNoVal
}

ConnRefNoVal ::= OCTET STRING (SIZE (3)) -- EN 301 217-1, Figure 33

ConnRefNoListIE ::= SEQUENCE -- EN 301 217-1, subclause 14.3.6.3
{
  commonIEInfo        CommonIEInfo,
  connRefNos          SET OF ConnRefNoVal
}
  -- length of IE not to shall not exceed the maximum message length

UsrPortConnIdIE ::= SEQUENCE -- EN 301 217-1, subclause 14.3.6.4
{
  commonIEInfo        CommonIEInfo,
  usrPortConnIdIEOctet5 UsrPortConnIdIEOctet5,
  lgclUsrPortId       LogId,
  vpci                 [1] VPCI OPTIONAL,
  vci                   [2] VCI OPTIONAL
}

UsrPortConnIdIEOctet5 ::= SEQUENCE -- EN 301 217-1, Table 54
{
  extBitLast          ExtBitLast DEFAULT '1'B,
  usrRscInd           UsrRscInd,
  dirFlg              DirFlg,
  connIdFlg           ConnIdFlg
}

UsrRscInd ::= BIT STRING (SIZE (3)) -- EN 301 217-1, Table 54
  completeLUP         UsrRscInd ::= '000'B -- Complete LUP
  vPCatLUP            UsrRscInd ::= '001'B -- VPC at the LUP

```

```

vCCatLUP          UsrRscInd ::= '010'B -- VCC at the LUP
-- all other values are reserved

DirFlg ::= BIT STRING (SIZE (2)) -- EN 301 217-1, Table 54
usrOrigin         DirFlg ::= '00'B -- User port is bearer connect origin
usrTerminates     DirFlg ::= '01'B -- User port is bearer connection termination
-- all other values are reserved

ConnIdFlg ::= BIT STRING (SIZE (2)) -- EN 301 217-1, Table 54
exclCombo        ConnIdFlg ::= '00'B -- exclusive VPCI/VCI combination
prefCombo        ConnIdFlg ::= '01'B -- preferred VPCI/VCI combination
-- all other values are reserved

LogId ::= OCTET STRING (SIZE (3)) --logical port identifier
--LogicalServicePortId (0 .. 16777215)
--LogicalUserPortId   (0 .. 16777215)

VPCI ::= OCTET STRING (SIZE (2))

VCI ::= OCTET STRING (SIZE (2))

SrvcPortConnIdIE ::= SEQUENCE -- EN 301 217-1, subclause 14.3.6.5
{
  commonIEInfo      CommonIEInfo,
  srvcPortConnIdIEOctet5  SrvcPortConnIdIEOctet5,
  vpci               [1] VPCI OPTIONAL,
  vci                [2] VCI OPTIONAL
}

SrvcPortConnIdIEOctet5 ::= SEQUENCE -- EN 301 217-1, Table 55
{
  extBitLast      ExtBitLast DEFAULT '1'B,
  srvcRscInd      SrvcRscInd,
  spare           SpareBits2,
  connIdFlg       ConnIdFlg
}

SrvcRscInd ::= BIT STRING (SIZE (3)) -- EN 301 217-1, Table 55
completeLSP      SrvcRscInd ::= '000'B -- Complete LSP
vPCatLSP         SrvcRscInd ::= '001'B -- VPC at the LSP
vCCatLSP         SrvcRscInd ::= '010'B -- VCC at the LSP
-- all other values are reserved

AltUsrPortVPCIIE ::= SEQUENCE -- EN 301 217-1, subclause 14.3.6.6
{
  commonIEInfo      CommonIEInfo,
  vpcis             SET OF VPCI
}
-- length of IE shall not exceed the maximum message length

AltSrvcPortVPCIIE ::= SEQUENCE -- EN 301 217-1, subclause 14.3.6.7
{
  commonIEInfo      CommonIEInfo,
  vpcis             SET OF VPCI
}
-- length of IE shall not exceed the maximum message length

AutoCongLvlIE ::= SEQUENCE -- EN 301 217-1, subclause 14.3.6.8
{
  commonIEInfo      CommonIEInfo,
  congLvl           CongLvl
}

CongLvl ::= BIT STRING (SIZE (8)) -- Table 56, EN 301 217-1
congLvl1           CongLvl ::= '00000001'B
congLvl2           CongLvl ::= '00000010'B
-- all other values are reserved

RejCauseIE ::= SEQUENCE -- EN 301 217-1, subclause 14.3.6.9
{
  commonIEInfo      CommonIEInfo,
  rejCauseOctet     RejCauseOctet
}

RejCauseOctet ::= SEQUENCE -- EN 301 217-1 [3], Figure 38
{
  extBitLast       [1] ExtBitLast DEFAULT '1'B,
  rejCause         [2] RejCause
}

RejCause ::= BIT STRING (SIZE (7)) -- Table 57, EN 301 217-1
unspcfdErr        RejCause ::= '0000000'B
connStateIncmtblty  RejCause ::= '0000001'B

```

```

branchStateIncmptblty  RejCause::= '0000010'B
branchDeallocExpctd   RejCause::= '0000011'B
anFault               RejCause::= '0000100'B
insuffANRsrces       RejCause::= '0000101'B
insuffUsrPortRsrces  RejCause::= '0000110'B
insuffSrvcPortRsrces RejCause::= '0000111'B
unsupTrfcParamsCombo RejCause::= '0001000'B
unsupATMTrnsfrCap    RejCause::= '0001001'B
usedUsrPortConnID    RejCause::= '0001010'B
usedSrvcPortConnID   RejCause::= '0001011'B
invalLUPID           RejCause::= '0001100'B
invalUsrPortVPCI    RejCause::= '0001101'B
invalUsrPortVCI     RejCause::= '0001110'B
invalSrvcPortVPCI   RejCause::= '0001111'B
invalSrvcPortVCI    RejCause::= '0010000'B
--all other values are reserved

BranchIdIE ::= SEQUENCE -- EN 301 217-1, subclause 14.3.6.10
{
  commonIEInfo  CommonIEInfo,
  branchIdVal   BranchIdVal
}

BranchIdVal ::= OCTET STRING (SIZE (2)) -- EN 301 217-1, Figure 39

BranchIdListIE ::= SEQUENCE -- EN 301 217-1, subclause 14.3.6.11
{
  commonIEInfo  CommonIEInfo,
  branchIds     SET OF BranchIdVal
}

ProtErrCauseIE ::= SEQUENCE -- EN 301 217-1, subclause 14.3.7.10, source: RTMC Protocol Error Cause
{
  commonIEInfo  CommonIEInfo,
  protErrCause  ProtErrCauseContent
}

ProtErrCauseContent ::= SEQUENCE
{
  extBitLast      ExtBitLast DEFAULT '1'B,
  protErrCauseVal ProtErrCauseVal,
  protErrCauseDiagn ProtErrCauseDiagn OPTIONAL
}

ProtErrCauseVal ::= BIT STRING (SIZE (7))
unkMsgType      ProtErrCauseVal ::= '0000001'B
mandIEMiss      ProtErrCauseVal ::= '0000011'B
unrecogIE       ProtErrCauseVal ::= '0000100'B
ieContErr       ProtErrCauseVal ::= '0000101'B
iENotAllowed    ProtErrCauseVal ::= '0000110'B
msgNotCompatWithProtState ProtErrCauseVal ::= '0000111'B

ProtErrCauseDiagn ::= OCTET STRING (SIZE (2))

QoSParamsIE ::= SEQUENCE -- EN 301 217-1, subclause 14.3.7.4
{
  commonIEInfo  CommonIEInfo,
  fwdQoSClass   FwdQoSClass,
  bkwdQoSClass  BkwdQoSClass
}

FwdQoSClass ::= BIT STRING (SIZE (8)) -- Table 4-18/Q.2931
unspecQoSClass FwdQoSClass ::= '00000000'B
futureReserve  FwdQoSClass ::= '11111111'B
-- all other values are reserved

BkwdQoSClass ::= BIT STRING (SIZE (8)) -- Table 4-18/Q.2931

ATM-Contents ::= OCTET STRING(SIZE(0..50)) -- EN 300 443-1, subclause 4.5.6

ATMTrfcDscrptrIE ::= CHOICE -- EN 301 217-1, subclause 14.3.7.1
{
  send      [1] SndATMDscrptrIE,
  receive   [2] RcvATMDscrptrIE
}

SndATMDscrptrIE ::= SEQUENCE
{
  commonIEInfo  CommonIEInfo,
  contents      ATM-Contents
}

RcvATMDscrptrIE ::= SEQUENCE
{
  commonIEInfo  CommonIEInfo,
  contents      SEQUENCE
}

```

```

    { rates
      trafficMgmtOptions      SET OF Rates,
                             TrafficMgmtOptions OPTIONAL
    }
  }

Rates ::= SEQUENCE
  { identifier Rate-Id,
    contents BIT STRING(SIZE(24))
  }

Rate-Id ::= -- EN 300 443-1, subclause 4.5.6, EN 301 067-1, subclause 8.2.1, EN 301 068 */
BIT STRING ('10000010'B | -- forward peak cell rate (CLP = 0)
            '10000011'B | -- backward peak cell rate (CLP = 0)
            '10000100'B | -- forward peak cell rate (CLP = 0 + 1)
            '10000101'B | -- backward peak cell rate (CLP = 0 + 1)
            '10001000'B | -- forward sustainable cell rate (CLP = 0)
            '10001001'B | -- backward sustainable cell rate (CLP = 0)
            '10010000'B | -- forward sustainable cell rate (CLP = 0 + 1)
            '10010001'B | -- backward sustainable cell rate (CLP = 0 + 1)
            '10100000'B | -- forward maximum burst size (CLP = 0)
            '10100001'B | -- backward maximum burst size (CLP = 0)
            '10110000'B | -- forward maximum burst size (CLP = 0 + 1)
            '10110001'B | -- backward maximum burst size (CLP = 0 + 1)
            '10010010'B | -- forward ABR minimum cell rate (CLP = 0 + 1)
            '10010011'B | -- backward ABR minimum cell rate (CLP = 0 + 1)
            '11000000'B | -- forward RM peak cell rate
            '11000001'B | -- backward RM peak cell rate
          )
  -- Possible identifiers for the traffic rates of the ATM traffic descriptor
information

TrafficMgmtOptions ::= SEQUENCE
  { trafficManagementOptionsId BIT STRING('10111111'B),
    spare-345678 BIT STRING(SIZE(6)), -- Spare bits, normally set to '000000'B
    tb BIT STRING(SIZE(1)),
    tf BIT STRING(SIZE(1))
  }

ATM-contents ::= OCTET STRING(SIZE(0..50)) -- EN 300 443-1, subclause 4.5.6
-- ATM Traffic Descriptor contents

BrdbndBcapIE ::= SEQUENCE -- EN 300 443-1, subclause 4.5.7
  { commonIEInfo CommonIEInfo,
    contents BBC-contents
  }

BBC-contents ::= OCTET STRING(SIZE(3..4)) -- EN 300 443-1, subclause 4.5.7
-- Broadband Bearer Capability contents

OAMTrfcDscrptrIE ::= SEQUENCE -- EN 300 443-1, subclause 4.5.24
  { commonIEInfo CommonIEInfo,
    extension-o5 BIT STRING('1'B), -- Extension bit, set to '1'B
    shaping-indicator BIT STRING(SIZE(2)), -- Type of subaddress
    complete-indicator BIT STRING(SIZE(1)),
    spare-4-o5 BIT STRING(SIZE(1)), -- Spare bit, normally set to '0'B
    fault-mngt-indicator BIT STRING(SIZE(4)), -- (1)
    extension-o6 BIT STRING('1'B), -- Extension bit, set to '1'B
    fwd-flow-indicator BIT STRING(SIZE(3)), -- (2)
    spare-4-o6 BIT STRING(SIZE(1)), -- Spare bit, normally set to '0'B
    bwd-flow-indicator BIT STRING(SIZE(4)) -- (3)
  } -- (1) User-network fault management indicator
-- (2) Forward end-to-end OAM F5 flow indicator
-- (3) Backward end-to-end OAM F5 flow indicator

ABRSetupParamsIE ::= SEQUENCE -- Q.2961.3, subclause 8.2.2
  { commonIEInfo CommonIEInfo,
    contents ABR-contents
  }

ABR-contents ::= OCTET STRING (SIZE (2..28)) -- Q.2961.3, subclause 8.2.2

EndEndTrnstDlayIE ::= SEQUENCE -- EN 300 443-1, subclause 4.5.17
  { commonIEInfo CommonIEInfo,
    cumulative-td-id BIT STRING('00000001'B), -- Cumulative transit delay identifier
    cumulative-td BIT STRING(SIZE(16)), -- Cumulative transit delay value
    maximum-td Maximum-td OPTIONAL -- Maximum transit delay
  }

```

```

Maximum-td ::= SEQUENCE
{
  maximum-td-id  BIT STRING('00000011'B), -- Maximum transit delay id
  maximum-td     BIT STRING(SIZE(16))    -- Maximum transit delay value
}

CDVTDscrptrIE ::= SEQUENCE -- Q.2961.5, subclause 8.2
{
  commonIEInfo CommonIEInfo,
  contents      CDVT-contents
}

CDVT-contents ::= OCTET STRING (SIZE (3..18)) -- Q.2961.5, subclause 8.2

AltATMTrfcDscrptrIE ::= CHOICE -- EN 300 443-1, subclause 4.5.6, EN 301 067-1, subclause 8.2.1, EN
301 068
{
  send      [1] SndATMDscrptrIE,
  receive   [2] RcvATMDscrptrIE
}

MinATMTrfcDscrptrIE ::= CHOICE -- EN 300 443-1, subclause 4.5.6, EN 301 067-1, subclause 8.2.1, EN
301 068
{
  send      [1] SndATMDscrptrIE,
  receive   [2] RcvMinATMDscrptrIE
}

RcvMinATMDscrptrIE ::= SEQUENCE
commonIEInfo CommonIEInfo,
contents      SET OF Rates
}

CommonIEInfo ::= SEQUENCE --EN 301 005-4, Annex E
{
  iEType      IEType,
  iECompatInd IECompatInd,
  iELength    IELength
}

IEType ::= BIT STRING (SIZE (8)) -- Table 53, EN 301 217-1
iEConnRefNo      IEType ::= '00000000'B
iEConnRefNoList  IEType ::= '00000001'B
iEUsrPortConnId  IEType ::= '00000010'B
iESrvcPortConnId IEType ::= '00000011'B
iEAltUsrPortVPCI IEType ::= '00000100'B
iEAltSrvcPortVPCI IEType ::= '00000101'B
iEAutoCongLvl    IEType ::= '00000110'B
iERejCause       IEType ::= '00000111'B
iEBranchId       IEType ::= '00001000'B
iEBranchIdList   IEType ::= '00001001'B
iEATMTrfcDscrptr IEType ::= '00001010'B
iEBrdbndBcap     IEType ::= '00001011'B
iEOAMTrfcDscrptr IEType ::= '00001100'B
iEQoSParams      IEType ::= '00001101'B
iEABRSetupParams IEType ::= '00001110'B
iEEndEndTrnstDlay IEType ::= '00001111'B
iECDVTDscrptr    IEType ::= '00010000'B
iEAltATMTrfcDscrptr IEType ::= '00010001'B
iEMinATMTrfcDscrptr IEType ::= '00010010'B
iEProtErrCause   IEType ::= '00010011'B
-- All other values are reserved

IECompatInd ::= SEQUENCE -- EN 301 005-4, Annex E
{
  extBitLast      ExtBitLast DEFAULT '1'B,
  spareBits2      SpareBits2 DEFAULT '00'B,
  compatFlag      CompatFlag,
  spareBits1      SpareBits1 DEFAULT '0'B,
  iEActInd        IEActInd
}

IELength ::= OCTET STRING (SIZE (2)) -- EN 301 005-4, Annex E

ExtBitLast ::= BIT STRING (SIZE (1)) --Always defaulted to '1'B (last octet in group), EN 301 005-4,
Annex E

CompatFlag ::= BIT STRING (SIZE(1)) --Table 35, EN 301 005-1
compatFlagNotSignif  CompatFlag ::= '0'B
compatFlagExplicit   CompatFlag ::= '1'B

IEActInd ::= BIT STRING (SIZE (3)) --Table 36, EN 301 005-1
iEActIndReject      IEActInd ::= '000'B
iEActIndDiscardAndProceed IEActInd ::= '001'B

```

```

iEActIndDiscardProceedAndReport IEActInd ::= '010'B
iEActIndDiscardMsgAndIgnore     IEActInd ::= '101'B
iEActIndDiscardMsgAndReport     IEActInd ::= '110'B
--All other values are reserved

-- definition of BCC messages

CommonMsgInfo ::= SEQUENCE --EN 301 005-4, Annex E
{
  protDiscr      ProtDiscr DEFAULT '49'H,
  transId        TransId,
  msgType        MsgType,
  msgCompatInd   MsgCompatInd,
  msgLength      MsgLength
}

Alloc ::= SEQUENCE -- En 301 217-1, Table 23
{
  commonMsgInfo      CommonMsgInfo,
  connRefNo          ConnRefNoIE,
  atmTrfcDscrptr    ATMTrfcDscrptrIE,
  brdbndBcap        BrdbndBcapIE,
  qosParams         QoSParamsIE,
  usrPortConnId     UsrPortConnIdIE,
  srvcPortConnId    SrvcPortConnIdIE,
  altUsrPortVPCI    [1] AltUsrPortVPCIIE      OPTIONAL,
  altSrvcPortVPCI   [2] AltSrvcPortVPCIIE     OPTIONAL,
  branchId          [3] BranchIdIE           OPTIONAL,
  aBRSetupParams    [4] ABRSetupParamsIE     OPTIONAL,
  endEndTrnstDlay   [5] EndEndTrnstDlayIE     OPTIONAL,
  cDVTdscrptr       [6] CDVTdscrptrIE        OPTIONAL,
  oAMTrfcDscrptr    [7] OAMTrfcDscrptrIE     OPTIONAL,
  altATMTrfcDscrptr [8] AltATMTrfcDscrptrIE   OPTIONAL,
  minATMTrfcDscrptr [8] MinATMTrfcDscrptrIE       OPTIONAL
}

AllocAcc ::= SEQUENCE -- En 301 217-1, Table 24
{
  commonMsgInfo      CommonMsgInfo,
  atmTrfcDscrptr    [1] ATMTrfcDscrptrIE     OPTIONAL,
  usrPortConnId     [2] UsrPortConnIdIE      OPTIONAL,
  srvcPortConnId    [3] SrvcPortConnIdIE     OPTIONAL,
  branchId          [4] BranchIdIE           OPTIONAL,
  aBRSetupParams    [5] ABRSetupParamsIE     OPTIONAL,
  endEndTrnstDlay   [6] EndEndTrnstDlayIE     OPTIONAL,
  cDVTdscrptr       [7] CDVTdscrptrIE        OPTIONAL,
  oAMTrfcDscrptr    [8] OAMTrfcDscrptrIE     OPTIONAL,
  altATMTrfcDscrptr [8] AltATMTrfcDscrptrIE   OPTIONAL,
  minATMTrfcDscrptr [9] MinATMTrfcDscrptrIE   OPTIONAL,
  autoCongLvl       [10] AutoCongLvlIE       OPTIONAL
}

AllocRej ::= SEQUENCE -- En 301 217-1, Table 25
{
  commonMsgInfo      CommonMsgInfo,
  rejCause           RejCauseIE,
  autoCongLvl       AutoCongLvlIE  OPTIONAL
}

AllocComp ::= SEQUENCE -- En 301 217-1, Table 26
{
  commonMsgInfo      CommonMsgInfo,
  connRefNo          ConnRefNoIE,
  atmTrfcDscrptr    [1] ATMTrfcDscrptrIE     OPTIONAL,
  usrPortConnId     [2] UsrPortConnIdIE     OPTIONAL,
  aBRSetupParams    [3] ABRSetupParamsIE     OPTIONAL,
  cDVTdscrptr       [4] CDVTdscrptrIE       OPTIONAL
}

AllocCompAcc ::= CommonMsgInfo -- EN 301 217-1, subclause 14.3.2.5

AllocCompRej ::= SEQUENCE -- En 301 217-1, Table 27
{
  commonMsgInfo      CommonMsgInfo,
  rejCause           RejCauseIE
}

Dealloc ::= SEQUENCE -- En 301 217-1, Table 28
{
  commonMsgInfo      CommonMsgInfo,
  connRefNoList     ConnRefNoListIE
}

DeallocAcc ::= SEQUENCE -- En 301 217-1, Table 29
{
  commonMsgInfo      CommonMsgInfo,

```

```

    autoCongLvl      AutoCongLvlIE  OPTIONAL
  }

BBCCRReset ::= SEQUENCE          -- En 301 217-1, Table 30
  {commonMsgInfo      CommonMsgInfo,
   usrPortConnId      [1]  UsrPortConnIdIE  OPTIONAL,
   srvcPortConnId      [2]  SrvcPortConnIdIE  OPTIONAL
  }

BBCCRResetAcc ::= CommonMsgInfo  -- EN 301 217-1, subclause 14.3.3.2

BBCCRResetRej ::= SEQUENCE       -- En 301 217-1, Table 31
  {commonMsgInfo      CommonMsgInfo,
   rejCause           RejCauseIE
  }

BBCCPresync ::= SEQUENCE         -- En 301 217-1, Table 32
  {commonMsgInfo      CommonMsgInfo,
   usrPortConnId      [1]  UsrPortConnIdIE  OPTIONAL,
   srvcPortConnId      [2]  SrvcPortConnIdIE  OPTIONAL
  }

BBCCPresyncAcc ::= CommonMsgInfo -- EN 301 217-1, subclause 14.3.3.5

BBCCPresyncRej ::= SEQUENCE      -- En 301 217-1, Table 33
  {commonMsgInfo      CommonMsgInfo,
   rejCause           RejCauseIE
  }

AnFault ::= SEQUENCE            -- En 301 217-1, Table 34
  {commonMsgInfo      CommonMsgInfo,
   connRefNo          [1]  ConnRefNoIE      OPTIONAL,
   branchId           [2]  BranchIdIE      OPTIONAL,
   usrPortConnId      [3]  UsrPortConnIdIE  OPTIONAL,
   srvcPortConnId      [4]  SrvcPortConnIdIE  OPTIONAL
  }

AnFaultAcc ::= CommonMsgInfo     -- EN 301 217-1, subclause 14.3.3.8

ProtocolError ::= SEQUENCE       -- En 301 217-1, Table 35
  {commonMsgInfo      CommonMsgInfo,
   protErrCause       ProtErrCauseIE
  }

Modify ::= SEQUENCE              -- En 301 217-1, Table 36
  {commonMsgInfo      CommonMsgInfo,
   connRefNo          ConnRefNoIE,
   aTMTrfcDscrptr    ATMTrfcDscrptrIE,
   altATMTrfcDscrptr [1]  AltATMTrfcDscrptrIE  OPTIONAL,
   minATMTrfcDscrptor [2]  MinATMTrfcDscrptorIE  OPTIONAL
  }

ModifyAcc ::= SEQUENCE           -- En 301 217-1, Table 37
  {commonMsgInfo      CommonMsgInfo,
   aTMTrfcDscrptr    [1]  ATMTrfcDscrptrIE  OPTIONAL,
   altATMTrfcDscrptr [2]  AltATMTrfcDscrptrIE  OPTIONAL,
   minATMTrfcDscrptor [6]  MinATMTrfcDscrptorIE  OPTIONAL,
   autoCongLvl       [4]  AutoCongLvlIE      OPTIONAL
  }

ModifyRej ::= SEQUENCE           -- En 301 217-1, Table 38
  {commonMsgInfo      CommonMsgInfo,
   rejCause          RejCauseIE,
   autoCongLvl       AutoCongLvlIE  OPTIONAL
  }

ModifyComp ::= SEQUENCE          -- En 301 217-1, Table 39
  {commonMsgInfo      CommonMsgInfo,
   aTMTrfcDscrptr    ATMTrfcDscrptrIE  OPTIONAL
  }

ModifyCompAcc ::= CommonMsgInfo  -- EN 301 217-1, subclause 14.3.4.5

ModifyCompRej ::= SEQUENCE       -- En 301 217-1, Table 40
  {commonMsgInfo      CommonMsgInfo,
   rejCause          RejCauseIE
  }

```

```

ModifyAbort ::= SEQUENCE -- En 301 217-1, Table 41
{
  commonMsgInfo      CommonMsgInfo,
  connRefNo          ConnRefNoIE
}

ModifyAbortAcc ::= CommonMsgInfo -- EN 301 217-1, subclause 14.3.4.8

ModifyAbortRej ::= SEQUENCE -- En 301 217-1, Table 41
{
  commonMsgInfo      CommonMsgInfo,
  rejCause           RejCauseIE
}

AddBranch ::= SEQUENCE -- En 301 217-1, Table 43
{
  commonMsgInfo      CommonMsgInfo,
  connRefNo          ConnRefNoIE,
  branchId           BranchIdIE,
  usrPortConnId     UsrPortConnIdIE,
  altUsrPortVPCI    AltUsrPortVPCIIE  OPTIONAL
}

AddBranchAcc ::= SEQUENCE -- En 301 217-1, Table 44
{
  commonMsgInfo      CommonMsgInfo,
  usrPortConnId     [1] UsrPortConnIdIE  OPTIONAL,
  autoCongLvl       [2] AutoCongLvlIE  OPTIONAL
}

AddBranchRej ::= SEQUENCE -- En 301 217-1 [3], Table 45
{
  commonMsgInfo      CommonMsgInfo,
  rejCause           RejCauseIE,
  autoCongLvl       AutoCongLvlIE  OPTIONAL
}

UpdateBranch ::= SEQUENCE -- En 301 217-1, Table 46
{
  commonMsgInfo      CommonMsgInfo,
  connRefNo          ConnRefNoIE,
  branchId           BranchIdIE,
  usrPortConnId     UsrPortConnIdIE
}

UpdateBranchAcc ::= CommonMsgInfo -- EN 301 217-1, subclause 14.3.5.5

UpdateBranchRej ::= SEQUENCE -- EN 301 217-1, Table 47
{
  commonMsgInfo      CommonMsgInfo,
  rejCause           RejCauseIE
}

DropBranch ::= SEQUENCE -- EN 301 217-1, Table 48
{
  commonMsgInfo      CommonMsgInfo,
  connRefNo          ConnRefNoIE,
  branchIdList       BranchIdListIE
}

DropBranchAcc ::= SEQUENCE -- EN 301 217-1, Table 49
{
  commonMsgInfo      CommonMsgInfo,
  autoCongLvl       AutoCongLvlIE  OPTIONAL
}

DropBranchRej ::= SEQUENCE -- EN 301 217-1, Table 50
{
  commonMsgInfo      CommonMsgInfo,
  rejCause           RejCauseIE,
  autoCongLvl       AutoCongLvlIE  OPTIONAL
}

BCCMsg ::= CHOICE -- EN 301 217-1, Table 21
{
  alloc              [1] Alloc,
  allocAcc           [2] AllocAcc,
  allocRej           [3] AllocRej,
  allocComp          [4] AllocComp,
  allocCompAcc       [5] AllocCompAcc,
  allocCompRej       [6] AllocCompRej,
  dealloc            [7] Dealloc,
  deallocAcc         [8] DeallocAcc,
  BCCReset           [8] BCCReset,
  BCCResetAcc        [9] BCCResetAcc,
  BCCResetRej        [10] BCCResetRej,
  BCCPresync         [11] BCCPresync,
  BCCPresyncAcc      [12] BCCPresyncAcc,
  BCCPresyncRej     [13] BCCPresyncRej,
}

```



```
anFault          [14] AnFault,
anFaultAcc       [15] AnFaultAcc,
protErr          [16] ProtocolError,
modify           [18] Modify,
modifyAcc        [19] ModifyAcc,
modifyRej        [20] ModifyRej,
modifyComp       [21] ModifyComp,
modifyCompAcc    [22] ModifyCompAcc,
modifyCompRej    [23] ModifyCompRej,
modifyAbort      [24] ModifyAbort,
modifyAbortAcc   [25] ModifyAbortAcc,
modifyAbortRej   [26] ModifyAbortRej,
addBranch        [27] AddBranch,
addBranchAcc     [28] AddBranchAcc,
addBranchRej     [29] AddBranchRej,
updateBranch     [30] UpdateBranch,
updateBranchAcc  [31] UpdateBranchAcc,
updateBranchRej  [32] UpdateBranchRej,
dropBranch       [33] DropBranch,
dropBranchAcc    [34] DropBranchAcc,
dropBranchRej    [35] DropBranchRej
}
```

END

Bibliography

The following material, though not specifically referenced in the body of the present document (or not publicly available), gives supporting information.

- ETSI EN 301 217-4: "V interfaces at the digital Service Node (SN); Interfaces at the VB5.2 reference point for the support of broadband or combined narrowband and broadband Access Networks (ANs); Abstract Test Suites (ATS) and partial Protocol Implementation eXtra Information for Testing (PIXIT)".
- ETSI ETS 300 406 (1995): "Methods for Testing and Specification (MTS); Protocol and profile conformance testing specifications; Standardization methodology".

History

Document history		
V1.1.1	July 2000	Public Enquiry PE 20001103: 2000-07-05 to 2000-11-03
V1.1.1	November 2000	Vote V 20010119: 2000-11-20 to 2001-01-19