

Draft **ETSI EN 300 636** V1.3.1 (2000-10)

---

*European Standard (Telecommunications series)*

**Fixed Radio Systems;  
Point-to-multipoint equipment;  
Time Division Multiple Access (TDMA);  
Point-to-multipoint digital radio systems  
in frequency bands in the range 1 GHz to 3 GHz**

---



---

**Reference**

REN/TM-04111-17

---

**Keywords**

TDMA, multipoint, transmission, radio, RLL

**ETSI**

---

650 Route des Lucioles  
F-06921 Sophia Antipolis Cedex - FRANCE

Tel.: +33 4 92 94 42 00 Fax: +33 4 93 65 47 16

Siret N° 348 623 562 00017 - NAF 742 C  
Association à but non lucratif enregistrée à la  
Sous-Préfecture de Grasse (06) N° 7803/88

---

**Important notice**

Individual copies of the present document can be downloaded from:  
<http://www.etsi.org>

The present document may be made available in more than one electronic version or in print. In any case of existing or perceived difference in contents between such versions, the reference version is the Portable Document Format (PDF). In case of dispute, the reference shall be the printing on ETSI printers of the PDF version kept on a specific network drive within ETSI Secretariat.

Users of the present document should be aware that the document may be subject to revision or change of status. Information on the current status of this and other ETSI documents is available at <http://www.etsi.org/tb/status/>

If you find errors in the present document, send your comment to:  
editor@etsi.fr

---

**Copyright Notification**

No part may be reproduced except as authorized by written permission.  
The copyright and the foregoing restriction extend to reproduction in all media.

© European Telecommunications Standards Institute 2000.  
All rights reserved.

# Contents

Intellectual Property Rights .....	4
Foreword.....	4
Introduction .....	4
1 Scope .....	6
1.1 Applications .....	6
1.2 Frequencies.....	6
1.3 Access method.....	6
2 References .....	6
3 Symbols and abbreviations.....	7
3.1 Symbols.....	7
3.2 Abbreviations .....	8
4 General system architecture .....	8
4.1 Sub-system types.....	9
4.2 System characteristics .....	9
4.2.1 System capacity .....	9
4.2.2 Transmission error performance .....	9
4.2.3 Round trip delay .....	9
4.2.4 Transparency.....	9
4.2.5 Telecommunications Management Network (TMN) interface .....	9
5 Radio characteristics.....	10
5.1 Frequency bands.....	10
5.2 Channel arrangement.....	10
5.3 Transmitter characteristics.....	10
5.3.1 TX power range .....	10
5.3.2 Spectrum mask.....	11
5.3.2.1 Spectrum density mask .....	11
5.3.2.2 Discrete CW lines exceeding the spectrum mask limit .....	13
5.3.3 Transmitter spurious emissions.....	13
5.3.4 RF tolerance.....	13
5.4 Receiver characteristics .....	14
5.4.1 Input level range .....	14
5.4.2 Spurious emissions .....	14
5.4.3 BER performance .....	14
5.4.4 Interference sensitivity.....	14
5.4.4.1 Adjacent channel rejection.....	14
5.4.4.2 Co-channel rejection .....	14
5.4.5 Image frequency rejection .....	15
5.5 RF equipment port.....	15
5.5.1 RF interface .....	15
5.5.2 Return loss .....	15
6 Types of services/subscriber and exchange interfaces .....	15
7 Power supply and environmental characteristics .....	16
7.1 Power supply .....	16
7.2 Environmental conditions.....	16
7.2.1 Equipment within weather protected locations .....	16
7.2.2 Equipment for non-weather protected locations .....	16
7.3 Electromagnetic compatibility conditions .....	16
7.4 Feeder/Antenna requirements.....	16
History .....	17

---

## Intellectual Property Rights

IPRs essential or potentially essential to the present document may have been declared to ETSI. The information pertaining to these essential IPRs, if any, is publicly available for **ETSI members and non-members**, and can be found in ETSI SR 000 314: *"Intellectual Property Rights (IPRs); Essential, or potentially Essential, IPRs notified to ETSI in respect of ETSI standards"*, which is available from the ETSI Secretariat. Latest updates are available on the ETSI Web server (<http://www.etsi.org/ipr>).

Pursuant to the ETSI IPR Policy, no investigation, including IPR searches, has been carried out by ETSI. No guarantee can be given as to the existence of other IPRs not referenced in ETSI SR 000 314 (or the updates on the ETSI Web server) which are, or may be, or may become, essential to the present document.

---

## Foreword

This European Standard (Telecommunications series) has been produced by ETSI Technical Committee Transmission and Multiplexing (TM), and is now submitted for the ETSI standards One-step Approval Procedure.

The present document is a revision of EN 300 636 (V1.2.1), in which the clauses 3.2 and 5.3.2 have been modified to take into account the additional requirements for spectral lines present in the spectrum. The OAP only applies to these clauses.

The former title of the present document was: "Transmission and Multiplexing (TM); Time Division Multiple Access (TDMA) point-to-multipoint digital radio systems in the frequency range 1 to 3 GHz".

<b>Proposed national transposition dates</b>	
Date of latest announcement of this EN (doa):	3 months after ETSI publication
Date of latest publication of new National Standard or endorsement of this EN (dop/e):	6 months after doa
Date of withdrawal of any conflicting National Standard (dow):	6 months after doa

---

## Introduction

The main field of application of Point-to-Multipoint (P-MP) systems is to provide access to both the Public Switched Telephone Network (PSTN) and private networks (Private Digital Network (PDN)), particularly for remote subscribers. By means of P-MP systems the network service area may be extended to cover both distant and scattered subscriber locations.

These remote subscribers, in a similar manner to the city subscriber, are offered the full range of services by the particular public or private network. Subscribers have access to these services by means of the various standardized user network interfaces (2-wire loop, data, ...).

P-MP applications in the metropolitan and urban environment are mainly for the provision of new data services for business subscribers and for the extension of Integrated Services Digital Network (ISDN) services to local subscribers.

The frequency bands below 3 GHz are particularly suitable for the extension of telecommunications services to distant rural and suburban subscribers.

P-MP systems provide standard network interfaces and transparently connect subscribers to the appropriate network node (local switch, ...). These systems allow a service to be connected to a number of subscribers ranging from a few users to several hundred and over a wide range of distances.

P-MP systems are generally, but not necessarily, configured as pre-assigned systems or as Demand Assigned Multiple Access (DAMA) radio systems.

The essential features of a typical P-MP DAMA radio systems are:

- efficient use of the radio spectrum;
- concentration;
- transparency.

Radio is often the ideal way of obtaining communications at low cost and almost independent of distance and difficult topology. Moreover, only a small number of sites are required for these installations, thus facilitating rapid implementation and minimizing maintenance requirements of the systems.

Concentration means that  $N$  subscribers can share  $n$  channels ( $N$  being larger than  $n$ ), allowing better use to be made of the available frequency spectrum and at a lower equipment cost. The term "multi-access" is derived from the fact that every subscriber has access to every channel (instead of a fixed assignment as in most multiplex systems). When a call is initiated one of the available channels is allocated to it. When the call is terminated, the channel is released for another call.

Concentration requires the use of distributed intelligent control which in turn allows many other operation and maintenance functions to be added.

Transparency means that the exchange and the telephone communicate with each other without being aware of the radio link.

---

# 1 Scope

## 1.1 Applications

The scope of the present document covers the following Point-to-Multipoint (P-MP) applications:

- voice;
- telex;
- low speed data (up to 64 kbit/s);
- Integrated Services Digital Network (ISDN) (basic rate access).

## 1.2 Frequencies

The present document covers fixed P-MP services operating in the 1,5 GHz, 2,2 GHz, 2,4 GHz and 2,6 GHz bands and having the frequency plans as given in CEPT Recommendation T/R 13-01 [1] for 1,5 GHz, 2,2 GHz and 2,6 GHz bands. For the 2,4 GHz band, the ITU-R Recommendation F.701-2 [2] is applicable.

## 1.3 Access method

The present document covers Time Division Multiple Access (TDMA) systems.

---

# 2 References

The following documents contain provisions which, through reference in this text, constitute provisions of the present document.

- References are either specific (identified by date of publication, edition number, version number, etc.) or non-specific.
- For a specific reference, subsequent revisions do not apply.
- For a non-specific reference, subsequent revisions do apply.

- [1] CEPT Recommendation T/R 13-01: "Preferred channel arrangements for fixed services in the range 1 to 3 GHz".
- [2] ITU-R Recommendation F.701-2 (1990): "Radio-frequency channel arrangements for analogue and digital point-to-multipoint radio systems operating in frequency bands in the range 1 350 to 2 690 GHz (1,5, 1,8, 2,0, 2,2, 2,4 and 2,6 GHz)".
- [3] ITU-T Recommendation G.821 (1990): "Error performance of an international digital connection operating at a bit rate below the primary rate and forming part of an integrated services digital network".
- [4] ITU-T Recommendation G.773 (1990): "Protocol suites for Q-interfaces for management of transmission systems".
- [5] ETSI EN 300 631: "Fixed Radio Systems; Point-to-Point Antennas; Antennas for Point-to-Point fixed radio systems in the 1 GHz to 3 GHz band".
- [6] ITU-T Recommendation G.712 (1993): "Transmission performance characteristics of pulse code modulation channels".
- [7] CCITT Recommendation R.20 (1988): "Telegraph modem for subscriber lines".

- [8] ITU-T Recommendation G.703 (1991): "Physical/electrical characteristics of hierarchical digital interfaces".
- [9] ETSI ETS 300 012: "Integrated Services Digital Network (ISDN); Basic user-network interface; Layer 1 specification and test principles".
- [10] ETSI ETS 300 324 Parts 1 to 5 and Part 7: "V interfaces at the digital Local Exchange (LE); V5.1 interface for the support of Access Network (AN)".
- [11] ETSI EN 300 347 Parts 1 and 2: "V interfaces at the digital Local Exchange (LE); V5.2 interface for the support of Access Network (AN)".
- [12] ETSI ETS 300 132 Parts 1 and 2: "Equipment Engineering (EE); Power supply interface at the input to telecommunications equipment".
- [13] ETSI ETS 300 019 Parts 1 and 2: "Equipment Engineering (EE); Environmental conditions and environmental tests for telecommunications equipment; Parts 1-0 to 1-7: Classification of environmental conditions; Parts 2-0 to 2-7: Specification of environmental tests".
- [14] ETSI EN 300 385 (V1.2.1): "Electromagnetic compatibility and Radio spectrum Matters (ERM); ElectroMagnetic Compatibility (EMC) standard for fixed radio links and ancillary equipment".
- [15] CEPT/ERC Recommendation 74-01: "Spurious emissions".

---

## 3 Symbols and abbreviations

### 3.1 Symbols

For the purposes of the present document, the following symbols apply:

dB	decibel
dBm	decibel relative to 1 milliwatt
GHz	GigaHertz
Hz	Hertz
kbit/s	kilobits per second
kHz	kiloHertz
Mbit/s	Megabits per second
MHz	MegaHertz
ms	millisecond

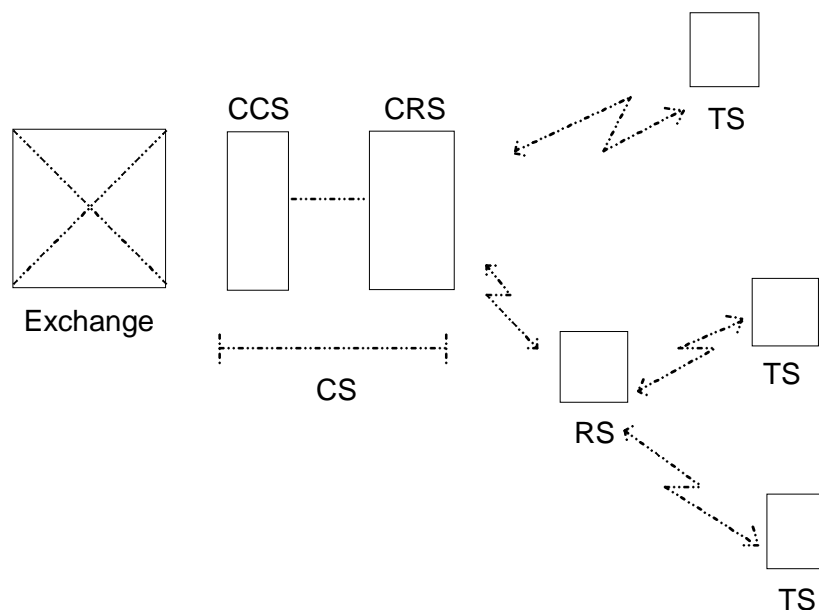
## 3.2 Abbreviations

For the purposes of the present document, the following abbreviations apply:

BER	Bit Error Rate
CCS	Central Controller Station
CRS	Central Radio Station
CS	Central Station
<u>CSmin</u>	<u>minimum practical Channel Separation (for a given radio-frequency channel arrangement)</u>
DAMA	Demand Assigned Multiple Access
EMC	Electromagnetic Compatibility
ISDN	Integrated Services Digital Network
PDN	Private Digital Network
P-MP	Point-to-Multipoint
PRBS	Pseudo-Random Binary Sequence
PSTN	Public Switched Telephone Network
RS	Repeater Station
R <sub>x</sub>	Receiver
TDMA	Time Division Multiple Access
TMN	Telecommunications Management Network
TS	Terminal Station
T <sub>x</sub>	Transmitter

## 4 General system architecture

A system could consist of physical sub-systems as follows (see figure 1):



NOTE: Abbreviations used in figure 1 are described in clause 4.1.

**Figure 1: General system architecture**



## 4.1 Sub-system types

**CS:** Central Station which can be subdivided into two units:

- the exchange unit, also called Central Controller Station (CCS) - (interface to the local switch); and
- the radio unit, also called Central Radio Station (CRS) - (central baseband/radio transceiver).

**TS:** Terminal station (outstations with subscriber interfaces).

**RS:** Repeater Station (radio repeater outstations with or without subscriber interfaces).

The central station performs the interconnection with the local switching exchange, carrying out a concentration function by sharing the total number of available channels in the system. The central station is linked to all remote stations (Repeater Stations (RS) or Terminal Stations (TS)) by microwave transmission paths.

Whenever an existing digital transmission link is available, the network implementation can be optimized by separating the CCS installed at the exchange site and the CRS.

Terminal stations are situated as close as possible to the "centre of gravity" of the subscriber locations. They interface directly with the subscriber loops.

The general characteristics which are typical for P-MP systems are considered in the present document. These characteristics have been categorized under four headings:

- system;
- radio;
- type of services/subscriber and exchange interfaces;
- power supply and environmental characteristics.

## 4.2 System characteristics

### 4.2.1 System capacity

The system traffic carrying capacity shall be  $n \times 2$  Mbit/s ( $n = 1, 2$  or  $4$ ).

### 4.2.2 Transmission error performance

Transmission performance shall comply with ITU-T Recommendation G.821 [3].

### 4.2.3 Round trip delay

The round trip delay (including transmission delay) shall not exceed 20 ms for a voice encoded 64 kbit/s time slot.

### 4.2.4 Transparency

The system shall be fully transparent: the exchange and the telephone subscriber communicate with each other without being aware of the radio link.

### 4.2.5 Telecommunications Management Network (TMN) interface

The TMN interface, if any, should be in accordance with ITU-T Recommendation G.773 [4].

## 5 Radio characteristics

### 5.1 Frequency bands

Five frequency plans are used for digital P-MP systems. Two in the 1,5 GHz band, one each in the 2,2 GHz, 2,4 GHz and the 2,6 GHz band.

### 5.2 Channel arrangement

**Table 1: Frequency bands**

Frequency band	Band limits	Transmit/receive spacing
1,5 GHz (I)	1 350 MHz to 1 375 MHz and 1 492 MHz to 1 517 MHz	142 MHz
1,5 GHz (II)	1 375 MHz to 1 400 MHz and 1 427 MHz to 1 452 MHz	52 MHz
2,2 GHz	2 025 MHz to 2 110 MHz and 2 200 MHz to 2 290 MHz	175 MHz
2,4 GHz	2 300 MHz to 2 500 MHz	94 MHz
2,6 GHz	2 520 MHz to 2 670 MHz	74 MHz

**Table 2: Channel spacing**

<b>Minimum bit rate (Mbit/s)</b>	2	4	8
<b>Channel spacing (MHz)</b>	1,75/2	3,5/4	3,5/4

### 5.3 Transmitter characteristics

#### 5.3.1 TX power range

The maximum value of output power, referred to point C' shall not exceed 35 dBm.

If for proper operation of the system or for regulatory purposes, a reduced range of output power is required, then an internal or external means of adjustment shall be provided.

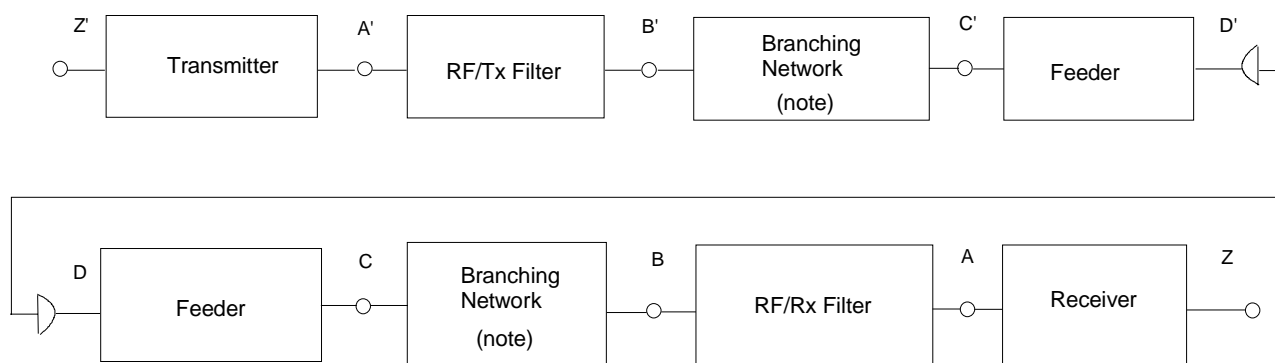
The tolerance value around the nominal or selected value of output power is  $\pm 1$  dBm.

The transmitted output power means the value measured where the output is connected to a dummy load i.e. power meter or spectrum analyser. The transmitter shall be modulated with a Pseudo Random Binary Sequence (PRBS) test signal.

Two different measurement methods can be used:

- spectrum analyser with resolution Bandwidth (BW) and video BW greater than 1 MHz;
- power meter.

NOTE: Use of a peak power meter is suitable when measuring the output power of transmitters operating in a burst mode.



NOTE: Points B & C and B' and C' will coincide if branching networks are not used.

**Figure 2: Radio Frequency (RF) block diagram**

## 5.3.2 Spectrum mask

### 5.3.2.1 Spectrum density mask

Spectrum masks are given in figure 3.

The transmitted output power spectrum is defined as: The spectrum when modulated with a test data signal that simulates a fully loaded system, i.e. "all trunks busy" or "continuous mode", e.g. PRBS.

The spectrum measurement at point C' of the system block diagram shall be performed with the "maximum hold" function selected on the spectrum analyser.

The reference level of the output spectrum means that the 0 dB level is the top of the modulated spectrum, disregarding the residual carrier.

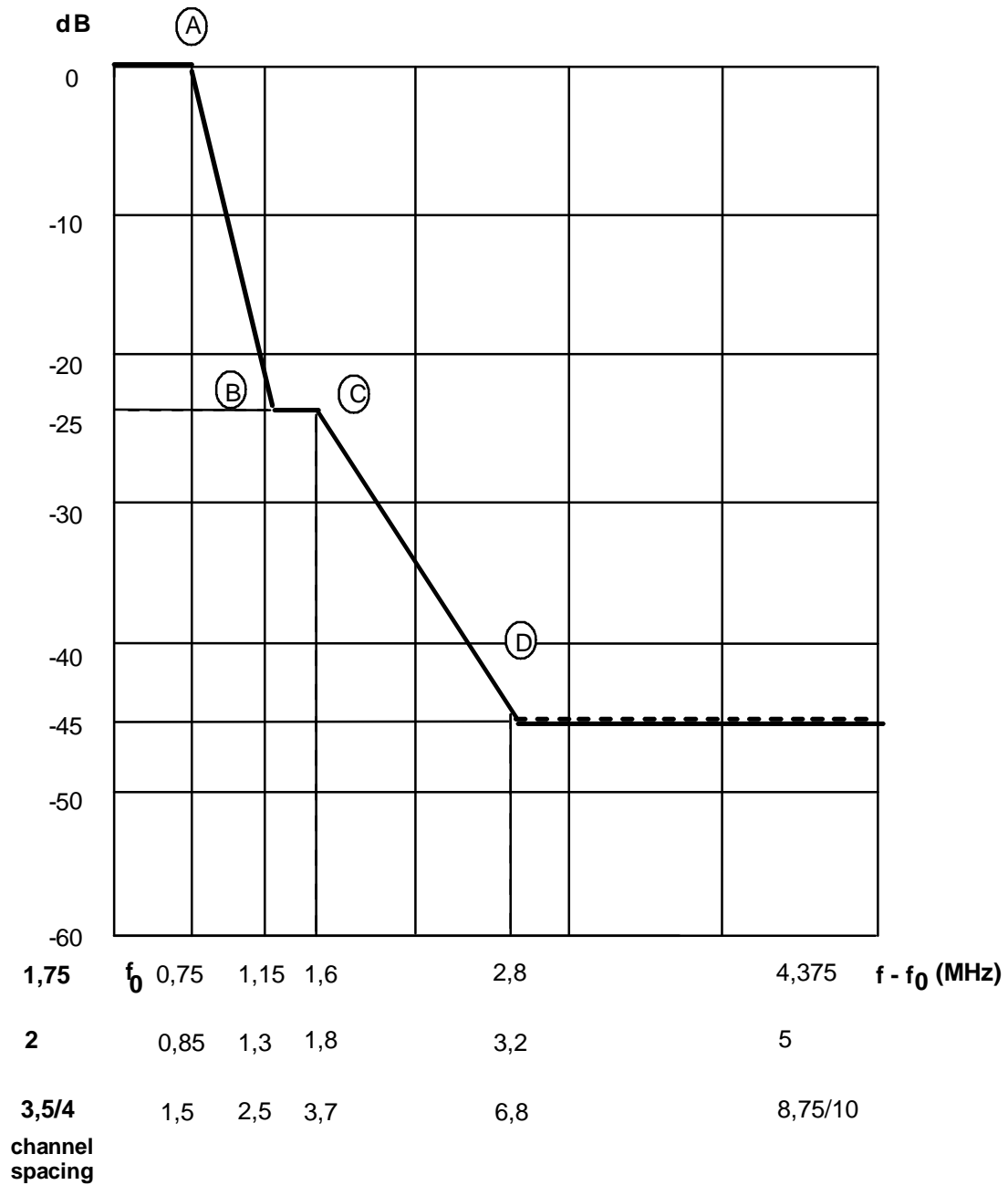
Figure 3: Power spectrum mask ( $f_0$  = nominal carrier frequency)

Table 3: Spectrum analyser settings

Resolution BW	Video BW	Sweep time	Sweep width
30 kHz	300 Hz	10 s	10 MHz

### 5.3.2.2 Discrete CW lines exceeding the spectrum mask limit

In case some CW components exceed the spectrum mask, an additional allowance is given.

Those lines shall not:

- exceed the mask by a factor more than  $\{10 \log (CS_{min}/IFbw) - 10\}$  dB;
- be spaced each other in frequency by less than  $CS_{min}$ .

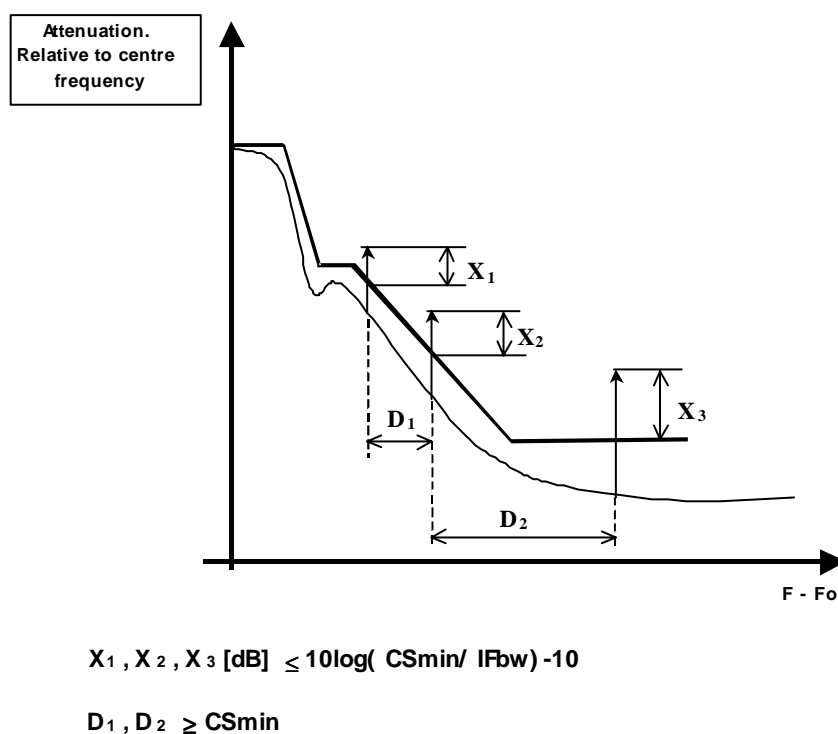
Where:

$CS_{min} = 25$  kHz for the band 1,5 GHz.

$CS_{min} = 500$  kHz for the band 2,2 GHz, 2,4 GHz and 2,6 GHz.

IFbw is the recommended resolution IF bandwidth, expressed in kHz, reported in table 3.

Figure 4 shows a typical example of this requirement.



**Figure 4: CW lines exceeding the spectrum mask (typical example)**

### 5.3.3 Transmitter spurious emissions

According to CEPT/ERC Recommendation 74-01 [15], the spurious emissions are defined as emissions at frequencies which are removed from the nominal carrier frequency more than  $\pm 250$  % of the relevant channel separation.

Outside the band of  $\pm 250$  % of the relevant channel separation (CS), the Fixed Service radio systems spurious emission limits, defined by CEPT/ERC Recommendation 74-01 [15] together with the frequency range to consider for conformance measurement, shall apply at reference point C'.

### 5.3.4 RF tolerance

The maximum radio frequency tolerance shall be  $\pm 15$  ppm for short term factors (environmental effects and turning accuracy). Long term frequency drift due to ageing shall be declared by the manufacturer during the type test.

## 5.4 Receiver characteristics

### 5.4.1 Input level range

The dynamic range of the receiver for a Bit Error Rate (BER)  $< 10^{-3}$  shall extend for a minimum of 55 dB above the lower threshold for BER =  $10^{-3}$  referenced to point C.

### 5.4.2 Spurious emissions

At reference point C, the limit values of CEPT/ERC Recommendation 74-01 [15] shall apply.

### 5.4.3 BER performance

BER versus receive signal power level, referred to point C of the system block diagram (figure 2) shall be equal to or better than the values in table 4.

**Table 4: BER versus receiver signal level**

Bit rate (Mbit/s)	BER $10^{-3}$ (dBm)	BER $10^{-6}$ (dBm)
2	-92	-88
4	-89	-85
8	-83	-79

### 5.4.4 Interference sensitivity

#### 5.4.4.1 Adjacent channel rejection

Adjacent channel rejection is defined as the ability of the receiver to receive a wanted signal in the presence of a like unwanted signal which is one channel away.

The two signals shall be connected to the receiver input via a combiner, so that the impedance is matched to the nominal impedance.

The wanted signal shall be tuned to the receiver's nominal frequency and be modulated with a PRBS signal. The interfering signal shall be turned off while the wanted signal is adjusted to the level corresponding to BER =  $10^{-6}$  as specified in table 4.

The interfering signal shall be tuned one channel away from the wanted signal and be modulated with a PRBS signal which is un-correlated to the wanted signal.

The interfering signal shall be adjusted to the same level as the wanted signal. The BER shall not be greater than  $10^{-5}$ .

Measurement on both sides of the nominal frequency shall be carried out.

#### 5.4.4.2 Co-channel rejection

Co-channel rejection is defined as the ability of the receiver to receive a wanted signal in the presence of a like unwanted signal on the same frequency.

The two signals shall be connected to the receiver input via a combiner, so that the impedance is matched to the nominal impedance of the system.

The wanted signal shall be tuned to the receiver's nominal frequency and modulated with a PRBS signal.

The interfering signal shall be turned off while the wanted signal is adjusted to the level corresponding to BER =  $10^{-6}$  as specified in table 4.

The interfering signal shall be tuned to the same frequency as the wanted signal and modulated with a PRBS signal which is un-correlated to the wanted signal.

The interfering signal shall then be injected at a level which is 23 dB below the wanted signal.

The BER shall not be greater than  $10^{-5}$ .

### 5.4.5 Image frequency rejection

If applicable image frequency rejection shall be greater than 75 dB.

## 5.5 RF equipment port

### 5.5.1 RF interface

The RF interface at reference points C and C' of the system block diagram (figure 2) shall be coaxial 50 ohms.

### 5.5.2 Return loss

The return loss at reference points C and C' of the system block diagram (figure 2) shall be more than 15 dB at the reference impedance.

---

## 6 Types of services/subscriber and exchange interfaces

Table 5 lists a range of interfaces for various voice and data services. At least one of these interfaces shall be implemented in a point-to-multipoint system covered by the present document.

**Table 5: Types of interfaces/ranges**

Type of service	Interface Standards
<b>Subscriber Interfaces</b>	
Analogue (2 wires)	ITU-T Recommendation G.712 [6]
Analogue (4 W + E & M)	ITU-T Recommendation G.712 [6]
Telex	CCITT Recommendation R.20 [7]
Digital data port	ITU-T Recommendation G.703 [8]
ISDN basic rate	ETS 300 012 [9]
<b>Network Interfaces</b>	
2 Mbit/s	ITU-T Recommendation G.703 [8]
Analogue (2 wires)	ITU-T Recommendation G.712 [6]
Analogue (4 W + E & M)	ITU-T Recommendation G.712 [6]
Telex	CCITT Recommendation R.20 [7]
Digital data port	ITU-T Recommendation G.703 [8]
ISDN basic rate	ETS 300 012 [9]
ISDN + Analogue subscribers + Leased lines 2 Mbit/s Interface	V5.1/V5.2 (ETS 300 324 [10]/EN 300 347 [11])

Systems shall include methods enabling internal and external synchronization. The free running clock frequency shall not deviate more than 50 ppm from the nominal value. Moreover it shall be possible to synchronize the clock with an incoming timing signal that deviates 50 ppm from the nominal value (reference can be made to ITU-T Recommendation G.703 [8]).

## 7 Power supply and environmental characteristics

### 7.1 Power supply

The equipment shall operate from one or more of the power supplies within the ranges specified in tables 6 and 7 in compliance with ETS 300 132 [12].

**Table 6: Power supplies - direct current**

<b>For 12 V DC nominal:</b>	+10,8 to +13,6 V
<b>For 24 V DC nominal:</b>	-21,8 to -28,1 V
<b>For 48 V DC nominal:</b>	-40,5 to -57,0 V
<b>For 60 V DC nominal:</b>	-50,0 to -72,0 V

**Table 7: Power supplies - alternative current**

<b>For 110 V AC nominal:</b>	99 to 121 V	60 Hz $\pm$ 2 Hz
<b>For 230 V AC nominal:</b>	207 to 253 V	50 Hz $\pm$ 2 Hz

### 7.2 Environmental conditions

The equipment shall meet the environmental conditions set out in ETS 300 019 [13] which defines weather protected and non weather protected locations classes and test severities.

#### 7.2.1 Equipment within weather protected locations

Equipment intended for operation in temperature controlled locations or partially temperature controlled locations shall meet the requirements of ETS 300 019 [13] classes 3.1 and 3.2 respectively.

Alternatively, the more stringent requirements of ETS 300 019 [13] classes 3.3 (non temperature controlled locations), 3.4 (sites with heat trap) and 3.5 (sheltered locations) may be specified.

#### 7.2.2 Equipment for non-weather protected locations

Equipment intended for operation within non weather protected locations shall meet the requirements of ETS 300 019 [13], class 4.1 or 4.1E.

Class 4.1 applies to many European countries while class 4.1E applies to all European countries.

Weather protected equipment conforming to class 3.3, 3.4, and 3.5 together with an enclosure or cabinet may fulfil the requirements for operating in a non weather protected environment but this is outside the scope of the present document.

### 7.3 Electromagnetic compatibility conditions

The system shall operate under the conditions specified in EN 300 385 [14].

### 7.4 Feeder/Antenna requirements

The parameters and values are specified in EN 300 631 [5].



---

## History

<b>Document history</b>		
Edition 1	October 1996	Published as ETS 300 636
V1.2.1	March 2000	Publication
V1.3.1	October 2000	One-step Approval Procedure      OAP 20010216: 2000-10-18 to 2001-02-16