

# ETSI EN 300 207-4 V1.2.4 (2000-03)

---

*European Standard (Telecommunications series)*

**Integrated Services Digital Network (ISDN);  
Diversion supplementary services;  
Digital Subscriber Signalling System No. one (DSS1) protocol;  
Part 4: Abstract Test Suite (ATS) and partial Protocol  
Implementation eXtra Information for Testing (PIXIT)  
proforma specification for the user**

---



---

**Reference**

REN/SPS-05065-4

---

**Keywords**

ATS, SCF, DSS1, ISDN, PIXIT, supplementary services, user

**ETSI**

---

**Postal address**

F-06921 Sophia Antipolis Cedex - FRANCE

---

**Office address**

650 Route des Lucioles - Sophia Antipolis  
Valbonne - FRANCE  
Tel.: +33 4 92 94 42 00 Fax: +33 4 93 65 47 16  
Siret N° 348 623 562 00017 - NAF 742 C  
Association à but non lucratif enregistrée à la  
Sous-Préfecture de Grasse (06) N° 7803/88

---

**Internet**

secretariat@etsi.fr  
Individual copies of this ETSI deliverable  
can be downloaded from  
<http://www.etsi.org>  
If you find errors in the present document, send your  
comment to: editor@etsi.fr

---

**Important notice**

This ETSI deliverable may be made available in more than one electronic version or in print. In any case of existing or perceived difference in contents between such versions, the reference version is the Portable Document Format (PDF). In case of dispute, the reference shall be the printing on ETSI printers of the PDF version kept on a specific network drive within ETSI Secretariat.

---

**Copyright Notification**

No part may be reproduced except as authorized by written permission.  
The copyright and the foregoing restriction extend to reproduction in all media.

© European Telecommunications Standards Institute 2000.  
All rights reserved.

# Contents

|                                                                                   |           |
|-----------------------------------------------------------------------------------|-----------|
| Intellectual Property Rights.....                                                 | 5         |
| Foreword .....                                                                    | 5         |
| 1 Scope .....                                                                     | 6         |
| 2 References .....                                                                | 6         |
| 3 Definitions and abbreviations .....                                             | 7         |
| 3.1 Definitions .....                                                             | 7         |
| 3.2 Abbreviations .....                                                           | 7         |
| 4 Abstract Test Method.....                                                       | 8         |
| 5 Untestable test purposes.....                                                   | 8         |
| 6 ATS conventions .....                                                           | 8         |
| 6.1 Version of TTCN used .....                                                    | 8         |
| 6.2 Use of ASN.1 .....                                                            | 8         |
| 6.2.1 Situations where ASN.1 is used .....                                        | 8         |
| 6.2.2 Specification of encoding rules.....                                        | 9         |
| 7 ATS to TP map.....                                                              | 9         |
| 8 PCTR conformance .....                                                          | 10        |
| 9 PIXIT conformance.....                                                          | 10        |
| 10 ATS conformance .....                                                          | 10        |
| <b>Annex A (normative): Protocol Conformance Test Report (PCTR) proforma.....</b> | <b>11</b> |
| A.1 Identification summary .....                                                  | 11        |
| A.1.1 Protocol conformance test report.....                                       | 11        |
| A.1.2 IUT identification.....                                                     | 11        |
| A.1.3 Testing environment.....                                                    | 11        |
| A.1.4 Limits and reservations.....                                                | 12        |
| A.1.5 Comments.....                                                               | 12        |
| A.2 IUT conformance status .....                                                  | 12        |
| A.3 Static conformance summary .....                                              | 12        |
| A.4 Dynamic conformance summary.....                                              | 12        |
| A.5 Static conformance review report .....                                        | 13        |
| A.6 Test campaign report.....                                                     | 13        |
| A.6.1 Test campaign report for CDIV.....                                          | 13        |
| A.6.2 Test campaign report for SCF .....                                          | 17        |

|                                                            |                                                   |           |
|------------------------------------------------------------|---------------------------------------------------|-----------|
| A.7                                                        | Observations.....                                 | 19        |
| <b>Annex B (normative): Partial PIXIT proforma.....</b>    |                                                   | <b>20</b> |
| B.1                                                        | Identification summary .....                      | 20        |
| B.2                                                        | Abstract test suite summary .....                 | 20        |
| B.3                                                        | Test laboratory .....                             | 21        |
| B.4                                                        | Client (of the test laboratory).....              | 21        |
| B.5                                                        | System Under Test (SUT).....                      | 22        |
| B.6                                                        | Protocol information .....                        | 23        |
| B.6.1                                                      | Protocol identification .....                     | 23        |
| B.6.2                                                      | Parameter values.....                             | 23        |
| B.6.3                                                      | Sending of messages by IUT .....                  | 23        |
| B.6.3.1                                                    | Sending of messages by IUT for CDIV testing.....  | 23        |
| B.6.3.2                                                    | Sending of messages by IUT for SCF testing .....  | 24        |
| B.6.4                                                      | Timer values .....                                | 24        |
| <b>Annex C (normative): Abstract Test Suite (ATS).....</b> |                                                   | <b>25</b> |
| C.1                                                        | The TTCN Graphical form (TTCN.GR).....            | 25        |
| C.2                                                        | The TTCN Machine Processable form (TTCN.MP) ..... | 25        |
|                                                            | Bibliography .....                                | 26        |
|                                                            | History .....                                     | 27        |

---

## Intellectual Property Rights

IPRs essential or potentially essential to the present document may have been declared to ETSI. The information pertaining to these essential IPRs, if any, is publicly available for **ETSI members and non-members**, and can be found in SR 000 314: *"Intellectual Property Rights (IPRs); Essential, or potentially Essential, IPRs notified to ETSI in respect of ETSI standards"*, which is available from the ETSI Secretariat. Latest updates are available on the ETSI Web server (<http://www.etsi.org/ipr>).

Pursuant to the ETSI IPR Policy, no investigation, including IPR searches, has been carried out by ETSI. No guarantee can be given as to the existence of other IPRs not referenced in SR 000 314 (or the updates on the ETSI Web server) which are, or may be, or may become, essential to the present document.

---

## Foreword

This European Standard (Telecommunications series) has been produced by ETSI Technical Committee Signalling Protocol and Switching (SPS).

The present document is part 4 of a multi-part EN covering the Digital Subscriber Signalling System No. one (DSS1) protocol specification for the Integrated Services Digital Network (ISDN) diversion supplementary services, as described below:

- Part 1: "Protocol specification";
- Part 2: "Protocol Implementation Conformance Statement (PICS) proforma specification";
- Part 3: "Test Suite Structure and Test Purposes (TSS&TP) specification for the user";
- Part 4: "Abstract Test Suite (ATS) and partial Protocol Implementation eXtra Information for Testing (PIXIT) proforma specification for the user";**
- Part 5: "Test Suite Structure and Test Purposes (TSS&TP) specification for the network";
- Part 6: "Abstract Test Suite (ATS) and partial Protocol Implementation eXtra Information for Testing (PIXIT) proforma specification for the network".

| <b>National transposition dates</b>                                                    |                  |
|----------------------------------------------------------------------------------------|------------------|
| Date of adoption of this EN:                                                           | 25 February 2000 |
| Date of latest announcement of this EN (doa):                                          | 31 May 2000      |
| Date of latest publication of new National Standard or endorsement of this EN (dop/e): | 30 November 2000 |
| Date of withdrawal of any conflicting National Standard (dow):                         | 30 November 2000 |

---

# 1 Scope

The present document specifies the Abstract Test Suites (ATS) and partial Protocol Implementation eXtra Information for Testing (PIXIT) proforma for the User side of the T reference point or coincident S and T reference point of implementations conforming to the stage three standard for the diversion supplementary services for the pan-European Integrated Services Digital Network (ISDN) by means of the Digital Subscriber Signalling System No. one (DSS1) protocol, EN 300 207-1 [1].

EN 300 207-3 [3] specifies the Test Suite Structure and Test Purposes (TSS&TP) related to this ATS and partial PIXIT proforma specification. Other parts specify the TSS&TP and the ATS and partial PIXIT proforma for the Network side of the T reference point or coincident S and T reference point of implementations conforming to EN 300 207-1 [1].

The present document contains two ATSs for different parts of the protocol; one (CDIV) for Call Forwarding Busy, Call Forwarding Unconditional, Call Forwarding No Response and Call Deflection and the other (SCF) for Selective Call Forwarding Busy, Selective Call Forwarding Unconditional and Selective Call Forwarding No Response. Common parts of the protocol are covered by the CDIV ATS.

---

# 2 References

The following documents contain provisions which, through reference in this text, constitute provisions of the present document.

- References are either specific (identified by date of publication, edition number, version number, etc.) or non-specific.
- For a specific reference, subsequent revisions do not apply.
- For a non-specific reference, the latest version applies.
- A non-specific reference to an ETS shall also be taken to refer to later versions published as an EN with the same number.

- [1] ETSI EN 300 207-1 (V1.2): "Integrated Services Digital Network (ISDN); Diversion supplementary services; Digital Subscriber Signalling System No. one (DSS1) protocol; Part 1: Protocol specification".
- [2] ETSI EN 300 207-2 (V1.2): "Integrated Services Digital Network (ISDN); Diversion supplementary services; Digital Subscriber Signalling System No. one (DSS1) protocol; Part 2: Protocol Implementation Conformance Statement (PICS) proforma specification".
- [3] ETSI EN 300 207-3 (V1.2): "Integrated Services Digital Network (ISDN); Diversion supplementary services; Digital Subscriber Signalling System No. one (DSS1) protocol; Part 3: Test Suite Structure and Test Purposes (TSS&TP) specification for the user".
- [4] ETSI EN 300 196-1: "Integrated Services Digital Network (ISDN); Generic functional protocol for the support of supplementary services; Digital Subscriber Signalling System No. one (DSS1) protocol; Part 1: Protocol specification".

NOTE: ETSI EN 300 207-1 [1] has an undated reference to ETSI EN 300 196-1 [4]. Some ASN.1 definitions from ETSI EN 300 196-1 [4] are referenced by ETSI EN 300 207-1 and are reproduced in the TTCN ATSs in the present document. The version of these definitions used in the present document are based on those in ETSI EN 300 196-1 (V1.2).

- [5] Void.
- [6] Void.
- [7] Void.

- [8] ETSI ETS 300 403-5: "Integrated Services Digital Network (ISDN); Digital Subscriber Signalling System No. one (DSS1) protocol; Signalling network layer for circuit-mode basic call control; Part 5: Abstract Test Suite (ATS) and partial Protocol Implementation eXtra Information for Testing (PIXIT) proforma specification for the user".
- [9] ISO/IEC 9646 (all parts): "Information technology; Open Systems Interconnection; Conformance testing methodology and framework".
- [10] ETSI TR 101 101 (V1.1): "Methods for Testing and Specification (MTS); TTCN interim version including ASN.1 1994 support [ISO/IEC 9646-3] (Second Edition Mock-up for JTC1/SC21 Review)".
- [11] ISO/IEC 8825-1 (1994): "Information technology; ASN.1 encoding rules: Specification of Basic Encoding Rules (BER), Canonical Encoding Rules (CER) and Distinguished Encoding Rules (DER)" (See also ITU-T Recommendation X.690: 1994).

## 3 Definitions and abbreviations

### 3.1 Definitions

For the purposes of the present document, the terms and definitions given in ISO/IEC 9646 [9] apply.

### 3.2 Abbreviations

For the purposes of the present document, the following abbreviations apply:

|       |                                                                                                     |
|-------|-----------------------------------------------------------------------------------------------------|
| ATS   | Abstract Test Suite                                                                                 |
| BER   | Basic Encoding Rules                                                                                |
| CD    | Call Deflection                                                                                     |
| CDIV  | Call DIVersion (this is used to refer collectively to the CD, CFB, CFNR and CFU services)           |
| CFB   | Call Forwarding Busy                                                                                |
| CFNR  | Call Forwarding No Reply                                                                            |
| CFU   | Call Forwarding Unconditional                                                                       |
| ETS   | Executable Test Suite                                                                               |
| IUT   | Implementation Under Test                                                                           |
| LT    | Lower Tester                                                                                        |
| MOT   | Means Of Testing                                                                                    |
| PCO   | Point of Control and Observation                                                                    |
| PDU   | Protocol Data Unit                                                                                  |
| PICS  | Protocol Implementation Conformance Statement                                                       |
| PIXIT | Protocol Implementation eXtra Information for Testing                                               |
| SCF   | Selective Call Forwarding (this is used to refer collectively to the SCFB, SCFNR and SCFU services) |
| SCFB  | Selective Call Forwarding Busy                                                                      |
| SCFNR | Selective Call Forwarding No Reply                                                                  |
| SCFU  | Selective Call Forwarding Unconditional                                                             |
| SUT   | System Under Test                                                                                   |
| TP    | Test Purpose                                                                                        |
| TTCN  | Tree and Tabular Combined Notation                                                                  |

## 4 Abstract Test Method

The remote test method is applied for the CDIV and SCF user ATs.

A Point of Control and Observation (PCO) resides at the service access point between layers 2 and 3 in the test system. This PCO is named "L" (for Lower). The L PCO is used to control and observe the behaviour of the Implementation Under Test (IUT) and test case verdicts are assigned depending on the behaviour observed at this PCO.

A second "informal" PCO, called "O" (for Operator) is used to specify control but not observation above the IUT; events at this PCO are never used to generate test case verdicts. Messages sent by the tester at this PCO explicitly indicate to the operator actions which are to be performed on the SUT. This is regarded as a preferred alternative to the use of the implicit send event.

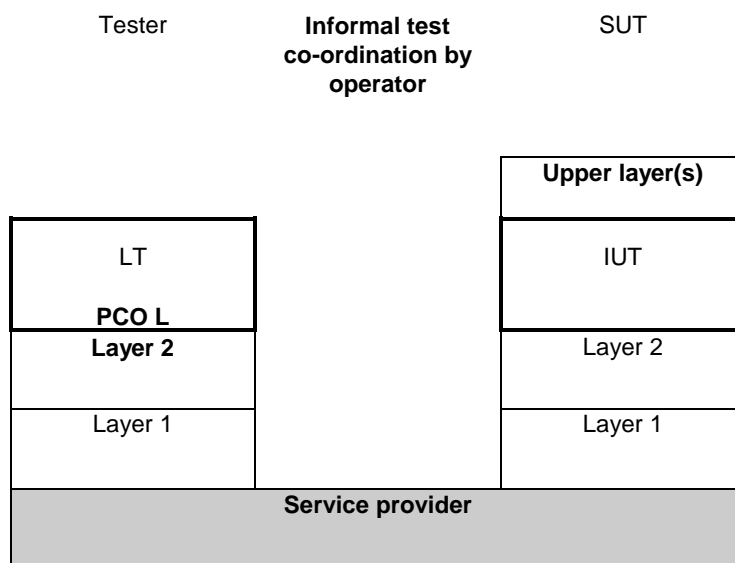


Figure 1: Remote test method with PCO O for test co-ordination

## 5 Untestable test purposes

There are no untestable test purposes associated with these ATs.

## 6 ATS conventions

### 6.1 Version of TTCN used

The version of TTCN used is that defined in TR 101 101 [10].

### 6.2 Use of ASN.1

#### 6.2.1 Situations where ASN.1 is used

ASN.1 has been used for three major reasons. First, types defined in ASN.1 can model problems that "pure" TTCN cannot. For instance, data structures modelling ordered or unordered sequences of data are preferably defined in ASN.1. Second, ASN.1 provides a better restriction mechanism for type definitions by using sub-type definitions. Third, it is necessary to use ASN.1 to reproduce the type definitions for remote operation components specified in the base standards in ASN.1.



The possibility to use TTCN and ASN.1 in combination is used, i.e. referring to an ASN.1 type from a TTCN type.

## 6.2.2 Specification of encoding rules

There is a variation in the encoding rules applied to ASN.1 types and constraints specified in this ATS and therefore a mechanism is needed to differentiate the encoding rules. However the mechanism specified in ISO/IEC 9646-3/AM2 [9] and in TR 101 101 [10] does not facilitate definition of the encoding rules as needed for this ATS. A solution is therefore used which is broadly in the spirit of ISO/IEC 9646-3/AM2 [9] in which comment fields have been used as a means of encoding rules.

For ASN.1 used in this ATS, two variations of encoding rules are used. One is the commonly known Basic Encoding Rules (BER) as specified in ISO/IEC 8825-1 [11]. In the second case the encoding is according to ISDN, i.e. the ASN.1 data types are a representation of structures contained within the ISDN specification (basic call, Generic functional protocol or individual supplementary service). For example, if octets of an information element are specified in ASN.1 as a SEQUENCE then this should be encoded in an Executable Test Suite (ETS) as any other ISDN information element specified using tabular TTCN. This ISDN encoding variation is the default encoding rule for this ATS. This means that all ASN.1 constraint tables are encoded using ISDN (non-BER) encoding unless stated otherwise. BER encoding shall not be applied to an ASN.1 constraint where BER encoding has not been specified. This encoding rule is sometimes named "Direct Encoding".

For BER encoding, an indication is given in the comments field of the table header. For this ATS such indications appear in the ASN.1 type constraint declaration tables only. In the first line of the table header comment field, the notation "ASN1\_Encoding: *BER*" is used.

Note that within BER, there are a number of variations for the encoding of lengths of fields. According to EN 300 196-1 [4], an IUT should be able to interpret all length forms within BER for received PDUs. When sending PDUs containing BER encoding, EN 300 196-1 [4] gives guidelines but makes no restrictions on the length forms within BER which an IUT may apply.

In this particular ATS all ASN.1 type constraints which are of type "Component" are to be encoded using BER.

**Table 1: ASN.1 type constraint declaration showing use of encoding variation**

| ASN.1 Type Constraint Declaration    |                                                                      |
|--------------------------------------|----------------------------------------------------------------------|
| <b>Constraint Name</b>               | : Beg3PTYinv                                                         |
| <b>ASN.1 Type</b>                    | : Component                                                          |
| <b>Derivation Path</b>               | :                                                                    |
| <b>Comments</b>                      | : ASN1_Encoding: BER<br>Receive component: BeginECT invoke component |
| Description                          |                                                                      |
| begin3PTY_Components                 |                                                                      |
| begin3PTY_InvokeComp                 |                                                                      |
| { invokeID ? ,                       |                                                                      |
| operation_value    localValue    4 } |                                                                      |
| <b>Detailed comments</b>             | :                                                                    |

## 7 ATS to TP map

The identifiers used for the TPs see EN 300 207-3 [3] are reused as test case names. Thus there is a straightforward one-to-one mapping.

---

## 8 PCTR conformance

A test laboratory, when requested by a client to produce a PCTR, is required, as specified in ISO/IEC 9646-5 [9], to produce a PCTR conformant with the PCTR template given in annex B of ISO/IEC 9646-5 [9].

Furthermore, a test laboratory, offering testing for either ATS specification contained in annex C, when requested by a client to produce a PCTR, is required to produce a PCTR conformant with the PCTR proforma contained in annex A.

A PCTR which conforms to this PCTR proforma specification shall preserve the content and ordering of the clauses contained in annex A except that either A.6.1 or A.6.2 may be omitted. Clause A.6 of the PCTR may contain additional columns. If included, these shall be placed to the right of the existing columns. Text in italics may be retained by the test laboratory.

---

## 9 PIXIT conformance

A test realizer, producing an executable test suite for either ATS specification contained in annex C, is required, as specified in ISO/IEC 9646-4 [9], to produce an augmented partial PIXIT proforma conformant with this partial PIXIT proforma specification.

An augmented partial PIXIT proforma which conforms to this partial PIXIT proforma specification shall, as a minimum, have contents which are technically equivalent to annex B except as indicated below. The augmented partial PIXIT proforma may contain additional questions that need to be answered in order to prepare the Means Of Testing (MOT) for a particular IUT.

A test laboratory, offering testing for either ATS specification contained in annex C, is required, as specified in ISO/IEC 9646-5 [9], to further augment the augmented partial PIXIT proforma to produce a PIXIT proforma conformant with this partial PIXIT proforma specification.

A PIXIT proforma which conforms to this partial PIXIT proforma specification shall, as a minimum, have contents which are technically equivalent to annex B except as indicated below. The PIXIT proforma may contain additional questions that need to be answered in order to prepare the test laboratory for a particular IUT.

In an augmented partial PIXIT proforma or PIXIT proforma applicable to testing to only one of the ATSs in the present document the items in annex B for which responses are only required for testing to the other ATS may be omitted.

---

## 10 ATS conformance

The test realizer, producing MOT and ETS for this ATS specification, shall comply with the requirements of ISO/IEC 9646-4 [9]. In particular, these concern the realization of an ETS based on each ATS. The test realizer shall provide a statement of conformance of the MOT to this ATS specification.

An EN which conforms to this ATS specification shall contain test groups and test cases which are technically equivalent to those contained in at least one ATS in annex C. All sequences of test events comprising an abstract test case shall be capable of being realized in the executable test case. Any further checking which the test system might be capable of performing is outside the scope of this ATS specification and shall not contribute to the verdict assignment for each test case.

Test laboratories running conformance test services using this ATS shall comply with ISO/IEC 9646-5 [9].

A test laboratory which claims to conform to this ATS specification shall use an MOT which conforms to this ATS.

## Annex A (normative): Protocol Conformance Test Report (PCTR) proforma

Notwithstanding the provisions of the copyright clause related to the text of the present document, ETSI grants that users of the present document may freely reproduce the PCTR proforma in this annex so that it can be used for its intended purposes and may further publish the completed PCTR.

### A.1 Identification summary

#### A.1.1 Protocol conformance test report

|                                 |  |
|---------------------------------|--|
| PCTR number:                    |  |
| PCTR date:                      |  |
| Corresponding SCTR number:      |  |
| Corresponding SCTR date:        |  |
| Test laboratory identification: |  |
| Test laboratory manager:        |  |
| Signature:                      |  |

#### A.1.2 IUT identification

|                          |                                                  |
|--------------------------|--------------------------------------------------|
| Name:                    |                                                  |
| Version:                 |                                                  |
| Protocol specification:  | EN 300 207-1 <i>Name(s) of service(s) tested</i> |
| PICS:                    |                                                  |
| Previous PCTRs (if any): |                                                  |

#### A.1.3 Testing environment

|                                      |                                                                     |
|--------------------------------------|---------------------------------------------------------------------|
| PIXIT Reference number:              |                                                                     |
| ATS Specification:                   | EN 300 207-4 CDIV / SCF ( <i>Delete CDIV or SCF as applicable</i> ) |
| Abstract Test Method:                | Remote test method (see ISO/IEC 9646-2)                             |
| Means of Testing identification:     |                                                                     |
| Dates of testing:                    |                                                                     |
| Conformance log reference(s):        |                                                                     |
| Retention date for log reference(s): |                                                                     |

## A.1.4 Limits and reservations

*Additional information relevant to the technical contents or further use of the test report, or to the rights and obligations of the test laboratory and the client, may be given here. Such information may include restriction on the publication of the report.*

.....

.....

.....

.....

## A.1.5 Comments

*Additional comments may be given by either the client or the test laboratory on any of the contents of the PCTR, for example, to note disagreement between the two parties.*

.....

.....

.....

.....

---

## A.2 IUT conformance status

This IUT has / has not been shown by conformance assessment to be non-conforming to the specified protocol specification.

*Strike the appropriate words in this sentence. If the PICS for this IUT is consistent with the static conformance requirements (as specified in clause A.3 of this report) and there are no "FAIL" verdicts to be recorded (in clause A.6) strike the word "has", otherwise strike the words "has not".*

---

## A.3 Static conformance summary

The PICS for this IUT is / is not consistent with the static conformance requirements in the specified protocol.

*Strike the appropriate words in this sentence.*

---

## A.4 Dynamic conformance summary

The test campaign did / did not reveal errors in the IUT.

*Strike the appropriate words in this sentence. If there are no "FAIL" verdicts to be recorded (in clause A.6 of this report) strike the word "did", otherwise strike the words "did not".*

Summary of the results of groups of tests:

.....

.....

.....

.....

## A.5 Static conformance review report

If clause A.3 indicates non-conformance, this clause itemizes the mismatches between the PICS and the static conformance requirements of the specified protocol specification.

.....

.....

.....

.....

.....

.....

## A.6 Test campaign report

### A.6.1 Test campaign report for CDIV

This subclause is only included in the PCTR if the test campaign was for one or more of CFB, CFU, CFNR or CD.

| ATS reference     | Selected?<br>(Y/N) | Run?<br>(Y/N) | Verdict | Observations |
|-------------------|--------------------|---------------|---------|--------------|
| CDIV_U01_CFB_001  | Yes/No             | Yes/No        |         |              |
| CDIV_U01_CFB_002  | Yes/No             | Yes/No        |         |              |
| CDIV_U01_CFB_003  | Yes/No             | Yes/No        |         |              |
| CDIV_U01_CFB_004  | Yes/No             | Yes/No        |         |              |
| CDIV_U01_CFB_005  | Yes/No             | Yes/No        |         |              |
| CDIV_U01_CFB_006  | Yes/No             | Yes/No        |         |              |
| CDIV_U01_CFB_007  | Yes/No             | Yes/No        |         |              |
| CDIV_U01_CFB_008  | Yes/No             | Yes/No        |         |              |
| CDIV_U01_CFB_009  | Yes/No             | Yes/No        |         |              |
| CDIV_U01_CFB_010  | Yes/No             | Yes/No        |         |              |
| CDIV_U01_CFB_011  | Yes/No             | Yes/No        |         |              |
| CDIV_U01_CFB_012  | Yes/No             | Yes/No        |         |              |
| CDIV_U01_CFB_013  | Yes/No             | Yes/No        |         |              |
| CDIV_U01_CFB_014  | Yes/No             | Yes/No        |         |              |
| CDIV_U01_CFB_015  | Yes/No             | Yes/No        |         |              |
| CDIV_U01_CFB_016  | Yes/No             | Yes/No        |         |              |
| CDIV_U01_CFB_017  | Yes/No             | Yes/No        |         |              |
| CDIV_U01_CFB_018  | Yes/No             | Yes/No        |         |              |
| CDIV_U01_CFB_019  | Yes/No             | Yes/No        |         |              |
| CDIV_U01_CFB_020  | Yes/No             | Yes/No        |         |              |
| CDIV_U01_CFB_021  | Yes/No             | Yes/No        |         |              |
| CDIV_U01_CFB_022  | Yes/No             | Yes/No        |         |              |
| CDIV_U01_CFB_023  | Yes/No             | Yes/No        |         |              |
| CDIV_U01_CFB_024  | Yes/No             | Yes/No        |         |              |
| CDIV_U01_CFB_025  | Yes/No             | Yes/No        |         |              |
| CDIV_U01_CFB_026  | Yes/No             | Yes/No        |         |              |
| CDIV_U01_CFB_027  | Yes/No             | Yes/No        |         |              |
| CDIV_U01_CFB_028  | Yes/No             | Yes/No        |         |              |
| CDIV_U01_CFB_029  | Yes/No             | Yes/No        |         |              |
| CDIV_U01_CFB_030  | Yes/No             | Yes/No        |         |              |
| CDIV_U01_CFB_031  | Yes/No             | Yes/No        |         |              |
| CDIV_U01_CFB_032  | Yes/No             | Yes/No        |         |              |
| CDIV_U01_CFNR_001 | Yes/No             | Yes/No        |         |              |
| CDIV_U01_CFNR_002 | Yes/No             | Yes/No        |         |              |
| CDIV_U01_CFNR_003 | Yes/No             | Yes/No        |         |              |
| CDIV_U01_CFNR_004 | Yes/No             | Yes/No        |         |              |

| ATS reference     | Selected?<br>(Y/N) | Run?<br>(Y/N) | Verdict | Observations |
|-------------------|--------------------|---------------|---------|--------------|
| CDIV_U01_CFNR_005 | Yes/No             | Yes/No        |         |              |
| CDIV_U01_CFNR_006 | Yes/No             | Yes/No        |         |              |
| CDIV_U01_CFNR_007 | Yes/No             | Yes/No        |         |              |
| CDIV_U01_CFNR_008 | Yes/No             | Yes/No        |         |              |
| CDIV_U01_CFNR_009 | Yes/No             | Yes/No        |         |              |
| CDIV_U01_CFNR_010 | Yes/No             | Yes/No        |         |              |
| CDIV_U01_CFNR_011 | Yes/No             | Yes/No        |         |              |
| CDIV_U01_CFNR_012 | Yes/No             | Yes/No        |         |              |
| CDIV_U01_CFNR_013 | Yes/No             | Yes/No        |         |              |
| CDIV_U01_CFNR_014 | Yes/No             | Yes/No        |         |              |
| CDIV_U01_CFNR_015 | Yes/No             | Yes/No        |         |              |
| CDIV_U01_CFNR_016 | Yes/No             | Yes/No        |         |              |
| CDIV_U01_CFNR_017 | Yes/No             | Yes/No        |         |              |
| CDIV_U01_CFNR_018 | Yes/No             | Yes/No        |         |              |
| CDIV_U01_CFNR_019 | Yes/No             | Yes/No        |         |              |
| CDIV_U01_CFNR_020 | Yes/No             | Yes/No        |         |              |
| CDIV_U01_CFNR_021 | Yes/No             | Yes/No        |         |              |
| CDIV_U01_CFNR_022 | Yes/No             | Yes/No        |         |              |
| CDIV_U01_CFNR_023 | Yes/No             | Yes/No        |         |              |
| CDIV_U01_CFNR_024 | Yes/No             | Yes/No        |         |              |
| CDIV_U01_CFNR_025 | Yes/No             | Yes/No        |         |              |
| CDIV_U01_CFNR_026 | Yes/No             | Yes/No        |         |              |
| CDIV_U01_CFNR_027 | Yes/No             | Yes/No        |         |              |
| CDIV_U01_CFNR_028 | Yes/No             | Yes/No        |         |              |
| CDIV_U01_CFNR_029 | Yes/No             | Yes/No        |         |              |
| CDIV_U01_CFNR_030 | Yes/No             | Yes/No        |         |              |
| CDIV_U01_CFNR_031 | Yes/No             | Yes/No        |         |              |
| CDIV_U01_CFNR_032 | Yes/No             | Yes/No        |         |              |
| CDIV_U01_CFU_001  | Yes/No             | Yes/No        |         |              |
| CDIV_U01_CFU_002  | Yes/No             | Yes/No        |         |              |
| CDIV_U01_CFU_003  | Yes/No             | Yes/No        |         |              |
| CDIV_U01_CFU_004  | Yes/No             | Yes/No        |         |              |
| CDIV_U01_CFU_005  | Yes/No             | Yes/No        |         |              |
| CDIV_U01_CFU_006  | Yes/No             | Yes/No        |         |              |
| CDIV_U01_CFU_007  | Yes/No             | Yes/No        |         |              |
| CDIV_U01_CFU_008  | Yes/No             | Yes/No        |         |              |
| CDIV_U01_CFU_009  | Yes/No             | Yes/No        |         |              |
| CDIV_U01_CFU_010  | Yes/No             | Yes/No        |         |              |
| CDIV_U01_CFU_011  | Yes/No             | Yes/No        |         |              |
| CDIV_U01_CFU_012  | Yes/No             | Yes/No        |         |              |
| CDIV_U01_CFU_013  | Yes/No             | Yes/No        |         |              |
| CDIV_U01_CFU_014  | Yes/No             | Yes/No        |         |              |
| CDIV_U01_CFU_015  | Yes/No             | Yes/No        |         |              |
| CDIV_U01_CFU_016  | Yes/No             | Yes/No        |         |              |
| CDIV_U01_CFU_017  | Yes/No             | Yes/No        |         |              |
| CDIV_U01_CFU_018  | Yes/No             | Yes/No        |         |              |
| CDIV_U01_CFU_019  | Yes/No             | Yes/No        |         |              |
| CDIV_U01_CFU_020  | Yes/No             | Yes/No        |         |              |
| CDIV_U01_CFU_021  | Yes/No             | Yes/No        |         |              |
| CDIV_U01_CFU_022  | Yes/No             | Yes/No        |         |              |
| CDIV_U01_CFU_023  | Yes/No             | Yes/No        |         |              |
| CDIV_U01_CFU_024  | Yes/No             | Yes/No        |         |              |
| CDIV_U01_CFU_025  | Yes/No             | Yes/No        |         |              |
| CDIV_U01_CFU_026  | Yes/No             | Yes/No        |         |              |
| CDIV_U01_CFU_027  | Yes/No             | Yes/No        |         |              |
| CDIV_U01_CFU_028  | Yes/No             | Yes/No        |         |              |
| CDIV_U01_CFU_029  | Yes/No             | Yes/No        |         |              |
| CDIV_U01_CFU_030  | Yes/No             | Yes/No        |         |              |
| CDIV_U01_CFU_031  | Yes/No             | Yes/No        |         |              |
| CDIV_U01_CFU_032  | Yes/No             | Yes/No        |         |              |
| CDIV_U02_CFB_001  | Yes/No             | Yes/No        |         |              |
| CDIV_U02_CFB_002  | Yes/No             | Yes/No        |         |              |
| CDIV_U02_CFB_003  | Yes/No             | Yes/No        |         |              |

| ATS reference    | Selected?<br>(Y/N) | Run?<br>(Y/N) | Verdict | Observations |
|------------------|--------------------|---------------|---------|--------------|
| CDIV_U02_CFB_004 | Yes/No             | Yes/No        |         |              |
| CDIV_U02_CFB_005 | Yes/No             | Yes/No        |         |              |
| CDIV_U02_CFB_006 | Yes/No             | Yes/No        |         |              |
| CDIV_U02_CFB_007 | Yes/No             | Yes/No        |         |              |
| CDIV_U02_CFB_008 | Yes/No             | Yes/No        |         |              |
| CDIV_U02_CFB_009 | Yes/No             | Yes/No        |         |              |
| CDIV_U02_CFB_010 | Yes/No             | Yes/No        |         |              |
| CDIV_U02_CFB_011 | Yes/No             | Yes/No        |         |              |
| CDIV_U02_CFB_012 | Yes/No             | Yes/No        |         |              |
| CDIV_U02_CFB_013 | Yes/No             | Yes/No        |         |              |
| CDIV_U02_CFB_014 | Yes/No             | Yes/No        |         |              |
| CDIV_U02_CFB_015 | Yes/No             | Yes/No        |         |              |
| CDIV_U02_CFB_016 | Yes/No             | Yes/No        |         |              |
| CDIV_U02_CFB_017 | Yes/No             | Yes/No        |         |              |
| CDIV_U02_CFB_018 | Yes/No             | Yes/No        |         |              |
| CDIV_U02_CFB_019 | Yes/No             | Yes/No        |         |              |
| CDIV_U02_CFB_020 | Yes/No             | Yes/No        |         |              |
| CDIV_U02_CFN_001 | Yes/No             | Yes/No        |         |              |
| CDIV_U02_CFN_002 | Yes/No             | Yes/No        |         |              |
| CDIV_U02_CFN_003 | Yes/No             | Yes/No        |         |              |
| CDIV_U02_CFN_004 | Yes/No             | Yes/No        |         |              |
| CDIV_U02_CFN_005 | Yes/No             | Yes/No        |         |              |
| CDIV_U02_CFN_006 | Yes/No             | Yes/No        |         |              |
| CDIV_U02_CFN_007 | Yes/No             | Yes/No        |         |              |
| CDIV_U02_CFN_008 | Yes/No             | Yes/No        |         |              |
| CDIV_U02_CFN_009 | Yes/No             | Yes/No        |         |              |
| CDIV_U02_CFN_010 | Yes/No             | Yes/No        |         |              |
| CDIV_U02_CFN_011 | Yes/No             | Yes/No        |         |              |
| CDIV_U02_CFN_012 | Yes/No             | Yes/No        |         |              |
| CDIV_U02_CFN_013 | Yes/No             | Yes/No        |         |              |
| CDIV_U02_CFN_014 | Yes/No             | Yes/No        |         |              |
| CDIV_U02_CFN_015 | Yes/No             | Yes/No        |         |              |
| CDIV_U02_CFN_016 | Yes/No             | Yes/No        |         |              |
| CDIV_U02_CFN_017 | Yes/No             | Yes/No        |         |              |
| CDIV_U02_CFN_018 | Yes/No             | Yes/No        |         |              |
| CDIV_U02_CFN_019 | Yes/No             | Yes/No        |         |              |
| CDIV_U02_CFN_020 | Yes/No             | Yes/No        |         |              |
| CDIV_U02_CFU_001 | Yes/No             | Yes/No        |         |              |
| CDIV_U02_CFU_002 | Yes/No             | Yes/No        |         |              |
| CDIV_U02_CFU_003 | Yes/No             | Yes/No        |         |              |
| CDIV_U02_CFU_004 | Yes/No             | Yes/No        |         |              |
| CDIV_U02_CFU_005 | Yes/No             | Yes/No        |         |              |
| CDIV_U02_CFU_006 | Yes/No             | Yes/No        |         |              |
| CDIV_U02_CFU_007 | Yes/No             | Yes/No        |         |              |
| CDIV_U02_CFU_008 | Yes/No             | Yes/No        |         |              |
| CDIV_U02_CFU_009 | Yes/No             | Yes/No        |         |              |
| CDIV_U02_CFU_010 | Yes/No             | Yes/No        |         |              |
| CDIV_U02_CFU_011 | Yes/No             | Yes/No        |         |              |
| CDIV_U02_CFU_012 | Yes/No             | Yes/No        |         |              |
| CDIV_U02_CFU_013 | Yes/No             | Yes/No        |         |              |
| CDIV_U02_CFU_014 | Yes/No             | Yes/No        |         |              |
| CDIV_U02_CFU_015 | Yes/No             | Yes/No        |         |              |
| CDIV_U02_CFU_016 | Yes/No             | Yes/No        |         |              |
| CDIV_U02_CFU_017 | Yes/No             | Yes/No        |         |              |
| CDIV_U02_CFU_018 | Yes/No             | Yes/No        |         |              |
| CDIV_U02_CFU_019 | Yes/No             | Yes/No        |         |              |
| CDIV_U02_CFU_020 | Yes/No             | Yes/No        |         |              |
| CDIV_U03_001     | Yes/No             | Yes/No        |         |              |
| CDIV_U03_002     | Yes/No             | Yes/No        |         |              |
| CDIV_U03_003     | Yes/No             | Yes/No        |         |              |
| CDIV_U03_004     | Yes/No             | Yes/No        |         |              |
| CDIV_U03_005     | Yes/No             | Yes/No        |         |              |
| CDIV_U03_006     | Yes/No             | Yes/No        |         |              |

| ATS reference    | Selected?<br>(Y/N) | Run?<br>(Y/N) | Verdict | Observations |
|------------------|--------------------|---------------|---------|--------------|
| CDIV_U03_007     | Yes/No             | Yes/No        |         |              |
| CDIV_U03_008     | Yes/No             | Yes/No        |         |              |
| CDIV_U03_009     | Yes/No             | Yes/No        |         |              |
| CDIV_U03_010     | Yes/No             | Yes/No        |         |              |
| CDIV_U03_011     | Yes/No             | Yes/No        |         |              |
| CDIV_U03_012     | Yes/No             | Yes/No        |         |              |
| CDIV_U03_013     | Yes/No             | Yes/No        |         |              |
| CDIV_U04_CFB_001 | Yes/No             | Yes/No        |         |              |
| CDIV_U04_CFB_002 | Yes/No             | Yes/No        |         |              |
| CDIV_U04_CFB_003 | Yes/No             | Yes/No        |         |              |
| CDIV_U04_CFB_004 | Yes/No             | Yes/No        |         |              |
| CDIV_U04_CFB_005 | Yes/No             | Yes/No        |         |              |
| CDIV_U04_CFB_006 | Yes/No             | Yes/No        |         |              |
| CDIV_U04_CFB_007 | Yes/No             | Yes/No        |         |              |
| CDIV_U04_CFB_008 | Yes/No             | Yes/No        |         |              |
| CDIV_U04_CFB_009 | Yes/No             | Yes/No        |         |              |
| CDIV_U04_CFB_010 | Yes/No             | Yes/No        |         |              |
| CDIV_U04_CFB_011 | Yes/No             | Yes/No        |         |              |
| CDIV_U04_CFB_012 | Yes/No             | Yes/No        |         |              |
| CDIV_U04_CFB_013 | Yes/No             | Yes/No        |         |              |
| CDIV_U04_CFB_014 | Yes/No             | Yes/No        |         |              |
| CDIV_U04_CFN_001 | Yes/No             | Yes/No        |         |              |
| CDIV_U04_CFN_002 | Yes/No             | Yes/No        |         |              |
| CDIV_U04_CFN_003 | Yes/No             | Yes/No        |         |              |
| CDIV_U04_CFN_004 | Yes/No             | Yes/No        |         |              |
| CDIV_U04_CFN_005 | Yes/No             | Yes/No        |         |              |
| CDIV_U04_CFN_006 | Yes/No             | Yes/No        |         |              |
| CDIV_U04_CFN_007 | Yes/No             | Yes/No        |         |              |
| CDIV_U04_CFN_008 | Yes/No             | Yes/No        |         |              |
| CDIV_U04_CFN_009 | Yes/No             | Yes/No        |         |              |
| CDIV_U04_CFN_010 | Yes/No             | Yes/No        |         |              |
| CDIV_U04_CFN_011 | Yes/No             | Yes/No        |         |              |
| CDIV_U04_CFN_012 | Yes/No             | Yes/No        |         |              |
| CDIV_U04_CFN_013 | Yes/No             | Yes/No        |         |              |
| CDIV_U04_CFN_014 | Yes/No             | Yes/No        |         |              |
| CDIV_U04_CFU_001 | Yes/No             | Yes/No        |         |              |
| CDIV_U04_CFU_002 | Yes/No             | Yes/No        |         |              |
| CDIV_U04_CFU_003 | Yes/No             | Yes/No        |         |              |
| CDIV_U04_CFU_004 | Yes/No             | Yes/No        |         |              |
| CDIV_U04_CFU_005 | Yes/No             | Yes/No        |         |              |
| CDIV_U04_CFU_006 | Yes/No             | Yes/No        |         |              |
| CDIV_U04_CFU_007 | Yes/No             | Yes/No        |         |              |
| CDIV_U04_CFU_008 | Yes/No             | Yes/No        |         |              |
| CDIV_U04_CFU_009 | Yes/No             | Yes/No        |         |              |
| CDIV_U04_CFU_010 | Yes/No             | Yes/No        |         |              |
| CDIV_U04_CFU_011 | Yes/No             | Yes/No        |         |              |
| CDIV_U04_CFU_012 | Yes/No             | Yes/No        |         |              |
| CDIV_U04_CFU_013 | Yes/No             | Yes/No        |         |              |
| CDIV_U04_CFU_014 | Yes/No             | Yes/No        |         |              |
| CDIV_U05_CFB_001 | Yes/No             | Yes/No        |         |              |
| CDIV_U05_CFB_002 | Yes/No             | Yes/No        |         |              |
| CDIV_U05_CFB_003 | Yes/No             | Yes/No        |         |              |
| CDIV_U05_CFB_004 | Yes/No             | Yes/No        |         |              |
| CDIV_U05_CFN_001 | Yes/No             | Yes/No        |         |              |
| CDIV_U05_CFN_002 | Yes/No             | Yes/No        |         |              |
| CDIV_U05_CFU_001 | Yes/No             | Yes/No        |         |              |
| CDIV_U05_CFU_002 | Yes/No             | Yes/No        |         |              |
| CDIV_U05_CFU_003 | Yes/No             | Yes/No        |         |              |
| CDIV_U05_CFU_004 | Yes/No             | Yes/No        |         |              |
| CDIV_U06_001     | Yes/No             | Yes/No        |         |              |
| CDIV_U06_002     | Yes/No             | Yes/No        |         |              |
| CDIV_U06_003     | Yes/No             | Yes/No        |         |              |
| CDIV_U06_004     | Yes/No             | Yes/No        |         |              |



| ATS reference | Selected?<br>(Y/N) | Run?<br>(Y/N) | Verdict | Observations |
|---------------|--------------------|---------------|---------|--------------|
| CDIV_U06_005  | Yes/No             | Yes/No        |         |              |
| CDIV_U06_006  | Yes/No             | Yes/No        |         |              |
| CDIV_U06_007  | Yes/No             | Yes/No        |         |              |
| CDIV_U06_008  | Yes/No             | Yes/No        |         |              |
| CDIV_U06_009  | Yes/No             | Yes/No        |         |              |
| CDIV_U06_010  | Yes/No             | Yes/No        |         |              |
| CDIV_U06_011  | Yes/No             | Yes/No        |         |              |
| CDIV_U06_012  | Yes/No             | Yes/No        |         |              |
| CDIV_U06_013  | Yes/No             | Yes/No        |         |              |
| CDIV_U06_014  | Yes/No             | Yes/No        |         |              |
| CDIV_U06_015  | Yes/No             | Yes/No        |         |              |
| CDIV_U06_016  | Yes/No             | Yes/No        |         |              |
| CDIV_U06_017  | Yes/No             | Yes/No        |         |              |
| CDIV_U06_018  | Yes/No             | Yes/No        |         |              |
| CDIV_U07_001  | Yes/No             | Yes/No        |         |              |
| CDIV_U07_002  | Yes/No             | Yes/No        |         |              |
| CDIV_U08_001  | Yes/No             | Yes/No        |         |              |
| CDIV_U08_002  | Yes/No             | Yes/No        |         |              |
| CDIV_U08_003  | Yes/No             | Yes/No        |         |              |
| CDIV_U08_004  | Yes/No             | Yes/No        |         |              |
| CDIV_U09_001  | Yes/No             | Yes/No        |         |              |
| CDIV_U09_002  | Yes/No             | Yes/No        |         |              |
| CDIV_U10_001  | Yes/No             | Yes/No        |         |              |
| CDIV_U10_002  | Yes/No             | Yes/No        |         |              |
| CDIV_U10_003  | Yes/No             | Yes/No        |         |              |
| CDIV_U10_004  | Yes/No             | Yes/No        |         |              |
| CDIV_U10_005  | Yes/No             | Yes/No        |         |              |
| CDIV_U10_006  | Yes/No             | Yes/No        |         |              |
| CDIV_U10_007  | Yes/No             | Yes/No        |         |              |
| CDIV_U10_008  | Yes/No             | Yes/No        |         |              |
| CDIV_U11_001  | Yes/No             | Yes/No        |         |              |
| CDIV_U11_002  | Yes/No             | Yes/No        |         |              |
| CDIV_U11_003  | Yes/No             | Yes/No        |         |              |
| CDIV_U11_004  | Yes/No             | Yes/No        |         |              |
| CDIV_U11_005  | Yes/No             | Yes/No        |         |              |
| CDIV_U11_006  | Yes/No             | Yes/No        |         |              |
| CDIV_U11_007  | Yes/No             | Yes/No        |         |              |
| CDIV_U11_008  | Yes/No             | Yes/No        |         |              |
| CDIV_U11_009  | Yes/No             | Yes/No        |         |              |
| CDIV_U11_010  | Yes/No             | Yes/No        |         |              |
| CDIV_U11_011  | Yes/No             | Yes/No        |         |              |
| CDIV_U11_012  | Yes/No             | Yes/No        |         |              |

## A.6.2 Test campaign report for SCF

*This subclause is only included in the PCTR if the test campaign was for one or more of SCFB, SCFU or SCFNR.*

| ATS reference | Selected?<br>(Y/N) | Run?<br>(Y/N) | Verdict | Observations |
|---------------|--------------------|---------------|---------|--------------|
| SCF_U01_001   | Yes/No             | Yes/No        |         |              |
| SCF_U01_002   | Yes/No             | Yes/No        |         |              |
| SCF_U01_003   | Yes/No             | Yes/No        |         |              |
| SCF_U01_004   | Yes/No             | Yes/No        |         |              |
| SCF_U01_005   | Yes/No             | Yes/No        |         |              |
| SCF_U01_006   | Yes/No             | Yes/No        |         |              |
| SCF_U01_007   | Yes/No             | Yes/No        |         |              |
| SCF_U01_008   | Yes/No             | Yes/No        |         |              |
| SCF_U01_009   | Yes/No             | Yes/No        |         |              |
| SCF_U01_010   | Yes/No             | Yes/No        |         |              |
| SCF_U01_011   | Yes/No             | Yes/No        |         |              |
| SCF_U01_012   | Yes/No             | Yes/No        |         |              |

| ATS reference | Selected?<br>(Y/N) | Run?<br>(Y/N) | Verdict | Observations |
|---------------|--------------------|---------------|---------|--------------|
| SCF_U01_013   | Yes/No             | Yes/No        |         |              |
| SCF_U01_014   | Yes/No             | Yes/No        |         |              |
| SCF_U01_015   | Yes/No             | Yes/No        |         |              |
| SCF_U01_016   | Yes/No             | Yes/No        |         |              |
| SCF_U01_017   | Yes/No             | Yes/No        |         |              |
| SCF_U02_001   | Yes/No             | Yes/No        |         |              |
| SCF_U02_002   | Yes/No             | Yes/No        |         |              |
| SCF_U02_003   | Yes/No             | Yes/No        |         |              |
| SCF_U02_004   | Yes/No             | Yes/No        |         |              |
| SCF_U02_005   | Yes/No             | Yes/No        |         |              |
| SCF_U02_006   | Yes/No             | Yes/No        |         |              |
| SCF_U02_007   | Yes/No             | Yes/No        |         |              |
| SCF_U02_008   | Yes/No             | Yes/No        |         |              |
| SCF_U02_009   | Yes/No             | Yes/No        |         |              |
| SCF_U02_010   | Yes/No             | Yes/No        |         |              |
| SCF_U03_001   | Yes/No             | Yes/No        |         |              |
| SCF_U03_002   | Yes/No             | Yes/No        |         |              |
| SCF_U03_003   | Yes/No             | Yes/No        |         |              |
| SCF_U03_004   | Yes/No             | Yes/No        |         |              |
| SCF_U03_005   | Yes/No             | Yes/No        |         |              |
| SCF_U03_006   | Yes/No             | Yes/No        |         |              |
| SCF_U03_007   | Yes/No             | Yes/No        |         |              |
| SCF_U03_008   | Yes/No             | Yes/No        |         |              |
| SCF_U03_009   | Yes/No             | Yes/No        |         |              |
| SCF_U03_010   | Yes/No             | Yes/No        |         |              |
| SCF_U03_011   | Yes/No             | Yes/No        |         |              |
| SCF_U03_012   | Yes/No             | Yes/No        |         |              |
| SCF_U03_013   | Yes/No             | Yes/No        |         |              |
| SCF_U03_014   | Yes/No             | Yes/No        |         |              |
| SCF_U03_015   | Yes/No             | Yes/No        |         |              |
| SCF_U03_016   | Yes/No             | Yes/No        |         |              |
| SCF_U03_017   | Yes/No             | Yes/No        |         |              |
| SCF_U04_001   | Yes/No             | Yes/No        |         |              |
| SCF_U04_002   | Yes/No             | Yes/No        |         |              |
| SCF_U04_003   | Yes/No             | Yes/No        |         |              |
| SCF_U04_004   | Yes/No             | Yes/No        |         |              |
| SCF_U04_005   | Yes/No             | Yes/No        |         |              |
| SCF_U04_006   | Yes/No             | Yes/No        |         |              |
| SCF_U04_007   | Yes/No             | Yes/No        |         |              |
| SCF_U04_008   | Yes/No             | Yes/No        |         |              |
| SCF_U04_009   | Yes/No             | Yes/No        |         |              |
| SCF_U04_010   | Yes/No             | Yes/No        |         |              |
| SCF_U05_001   | Yes/No             | Yes/No        |         |              |
| SCF_U05_002   | Yes/No             | Yes/No        |         |              |
| SCF_U05_003   | Yes/No             | Yes/No        |         |              |
| SCF_U05_004   | Yes/No             | Yes/No        |         |              |
| SCF_U05_005   | Yes/No             | Yes/No        |         |              |
| SCF_U05_006   | Yes/No             | Yes/No        |         |              |
| SCF_U05_007   | Yes/No             | Yes/No        |         |              |
| SCF_U05_008   | Yes/No             | Yes/No        |         |              |
| SCF_U05_009   | Yes/No             | Yes/No        |         |              |
| SCF_U05_010   | Yes/No             | Yes/No        |         |              |
| SCF_U05_011   | Yes/No             | Yes/No        |         |              |
| SCF_U05_012   | Yes/No             | Yes/No        |         |              |
| SCF_U05_013   | Yes/No             | Yes/No        |         |              |
| SCF_U05_014   | Yes/No             | Yes/No        |         |              |
| SCF_U05_015   | Yes/No             | Yes/No        |         |              |
| SCF_U05_016   | Yes/No             | Yes/No        |         |              |
| SCF_U05_017   | Yes/No             | Yes/No        |         |              |
| SCF_U06_001   | Yes/No             | Yes/No        |         |              |
| SCF_U06_002   | Yes/No             | Yes/No        |         |              |
| SCF_U06_003   | Yes/No             | Yes/No        |         |              |
| SCF_U06_004   | Yes/No             | Yes/No        |         |              |

| ATS reference | Selected?<br>(Y/N) | Run?<br>(Y/N) | Verdict | Observations |
|---------------|--------------------|---------------|---------|--------------|
| SCF_U06_005   | Yes/No             | Yes/No        |         |              |
| SCF_U06_006   | Yes/No             | Yes/No        |         |              |
| SCF_U06_007   | Yes/No             | Yes/No        |         |              |
| SCF_U06_008   | Yes/No             | Yes/No        |         |              |
| SCF_U06_009   | Yes/No             | Yes/No        |         |              |
| SCF_U06_010   | Yes/No             | Yes/No        |         |              |
| SCF_U07_001   | Yes/No             | Yes/No        |         |              |
| SCF_U07_002   | Yes/No             | Yes/No        |         |              |
| SCF_U07_003   | Yes/No             | Yes/No        |         |              |
| SCF_U07_004   | Yes/No             | Yes/No        |         |              |
| SCF_U07_005   | Yes/No             | Yes/No        |         |              |
| SCF_U07_006   | Yes/No             | Yes/No        |         |              |
| SCF_U07_007   | Yes/No             | Yes/No        |         |              |
| SCF_U07_008   | Yes/No             | Yes/No        |         |              |
| SCF_U07_009   | Yes/No             | Yes/No        |         |              |
| SCF_U07_010   | Yes/No             | Yes/No        |         |              |
| SCF_U07_011   | Yes/No             | Yes/No        |         |              |
| SCF_U07_012   | Yes/No             | Yes/No        |         |              |
| SCF_U08_001   | Yes/No             | Yes/No        |         |              |
| SCF_U08_002   | Yes/No             | Yes/No        |         |              |
| SCF_U08_003   | Yes/No             | Yes/No        |         |              |
| SCF_U08_004   | Yes/No             | Yes/No        |         |              |
| SCF_U08_005   | Yes/No             | Yes/No        |         |              |
| SCF_U08_006   | Yes/No             | Yes/No        |         |              |
| SCF_U08_007   | Yes/No             | Yes/No        |         |              |
| SCF_U08_008   | Yes/No             | Yes/No        |         |              |
| SCF_U08_009   | Yes/No             | Yes/No        |         |              |

## A.7 Observations

*Additional information relevant to the technical content of the PCTR are given here.*

.....

.....

.....

.....

.....

.....

.....

.....

.....

.....

.....

.....

.....

.....

.....

.....

.....

.....

---

## Annex B (normative): Partial PIXIT proforma

Notwithstanding the provisions of the copyright clause related to the text of the present document, ETSI grants that users of the present document may freely reproduce the PIXIT proforma in this annex so that it can be used for its intended purposes and may further publish the completed PIXIT.

---

### B.1 Identification summary

PIXIT number:

.....

Test laboratory name:

.....

Date of issue:

.....

Issued to:

.....

---

### B.2 Abstract test suite summary

Protocol specification: EN 300 207-1;

ATS specification: EN 300 207-4;

Abstract test method: Remote test method (see ISO/IEC 9646-2).

NOTE: Two separate ATSs cover the user side of EN 300 207-1. The CDIV ATS covers the CFB, CFU, CFNR and CD services and the SCF ATS covers the SCFB, SCFU and SCFNR services. This PIXIT proforma is applicable to both ATSs. If the IUT is only to be tested to one of the ATSs then it is not necessary for items indicated as only applicable to the other ATS to be completed. For testing with the CDIV ATS a PIXIT for basic call is also required (see ETS 300 403-5 annex B).

---

## B.3 Test laboratory

Test laboratory identification:

.....

Accreditation status of the test service:

.....

Accreditation reference:

.....

Test laboratory manager:

.....

Test laboratory contact:

.....

Means of testing:

.....

Test laboratory instructions for completion:

.....

---

## B.4 Client (of the test laboratory)

Client identification:

.....

Client test manager:

.....

Client contact:

.....

Test facilities required:

.....

---

## B.5 System Under Test (SUT)

Name:

.....

Version:

.....

SCS reference:

.....

Machine configuration:

.....

Operating system identification:

.....

IUT identification:

.....

PICS (all layers):

.....

.....

Limitations of the SUT:

.....

Environmental conditions:

.....

## B.6 Protocol information

### B.6.1 Protocol identification

Specification reference: EN 300 207-1

Protocol version:

PICS reference:

NOTE: The PICS reference should reference a completed PICS which is conformant with the PICS proforma contained in EN 300 207-2.

### B.6.2 Parameter values

**Table B.1: Parameter values**

| Item                                                                                                                                                                  | Question                                                                                                                                                                       | Supported?<br>(Y/N) | Allowed<br>values      | Value |
|-----------------------------------------------------------------------------------------------------------------------------------------------------------------------|--------------------------------------------------------------------------------------------------------------------------------------------------------------------------------|---------------------|------------------------|-------|
| 1.1                                                                                                                                                                   | Does the IUT support Basic Access?                                                                                                                                             |                     | N/A                    | N/A   |
| 1.2                                                                                                                                                                   | What length of Call Reference is used?                                                                                                                                         |                     | 1 for BA,<br>2 for PRA |       |
| 1.3                                                                                                                                                                   | Which value will be included by the IUT into the basic Service parameter of Activation Diversion, Deactivation Diversion and Interrogation Diversion invoke components? (note) |                     |                        |       |
| NOTE: Item 1.3 is only required for CDIV testing. The test campaign has to be run once for each basic service for which the call diversion services can be requested. |                                                                                                                                                                                |                     |                        |       |

### B.6.3 Sending of messages by IUT

#### B.6.3.1 Sending of messages by IUT for CDIV testing

Table B.2 only is only required for CDIV testing.

**Table B.2: Actions required to stimulate IUT (private ISDN) to send messages (CDIV)**

| Item                                                                                                                          | Action:<br>What actions, if possible, have to be taken to<br>cause the IUT to ...                          | Supported?<br>(Y/N) | Stimulus (action taken) |
|-------------------------------------------------------------------------------------------------------------------------------|------------------------------------------------------------------------------------------------------------|---------------------|-------------------------|
| 2.1                                                                                                                           | divert an incoming call within or beyond the private ISDN?                                                 |                     |                         |
| 2.2                                                                                                                           | divert an incoming call within or beyond the private ISDN and to request partial re-routing for that call? |                     |                         |
| NOTE: These items are required where the IUT is a private ISDN and the diversion service is provided within the private ISDN. |                                                                                                            |                     |                         |

### B.6.3.2 Sending of messages by IUT for SCF testing

Table B.2a only is only required for SCF testing.

**Table B.2a: Actions required to stimulate IUT to send messages (SCF)**

| Item | Action:<br>What actions, if possible, have to be taken to configure the IUT ...      | Supported?<br>(Y/N) | Stimulus (action taken) |
|------|--------------------------------------------------------------------------------------|---------------------|-------------------------|
| 2a.1 | invoke activation of each supported SCF service.                                     |                     |                         |
| 2a.2 | invoke deactivation of each supported SCF service.                                   |                     |                         |
| 2a.3 | invoke interrogation of the instances of the SCF service for all screening lists.    |                     |                         |
| 2a.4 | invoke interrogation of the instances of the SCF service for active screening lists. |                     |                         |
| 2a.5 | invoke interrogation of a specific screening list.                                   |                     |                         |

### B.6.4 Timer values

**Table B.3: Timer values**

| Item                                                                                                                                                                                                                                                                                                                                                                       | Timer:<br>Give a value for the timer that is used to ...                                                  | Supported?<br>(Y/N) | Allowed values | Value |
|----------------------------------------------------------------------------------------------------------------------------------------------------------------------------------------------------------------------------------------------------------------------------------------------------------------------------------------------------------------------------|-----------------------------------------------------------------------------------------------------------|---------------------|----------------|-------|
| 3.1                                                                                                                                                                                                                                                                                                                                                                        | wait for the test operator to perform an implicit send action (TWAIT)                                     |                     | N/A            | s     |
| 3.2                                                                                                                                                                                                                                                                                                                                                                        | wait for the IUT to respond to a stimulus sent by the tester (TAC)                                        |                     | N/A            | s     |
| 3.3                                                                                                                                                                                                                                                                                                                                                                        | check that the IUT does not respond to a stimulus sent by the tester (TNOAC) (note 2)                     |                     | N/A            | s     |
| 3.4                                                                                                                                                                                                                                                                                                                                                                        | wait before expecting T-ACTIVATE (nominally 4000 ms) to expire in the IUT (T_ACTIVATE_MIN) (note 3)       |                     | < 4000 ms      | ms    |
| 3.5                                                                                                                                                                                                                                                                                                                                                                        | wait until after T-ACTIVATE (nominally 4000 ms) has expired in the IUT (T_ACTIVATE_MAX) (note 3)          |                     | > 4000 ms      | ms    |
| 3.6                                                                                                                                                                                                                                                                                                                                                                        | wait before expecting T-DEACTIVATE (nominally 4000 ms) to expire in the IUT (T_DEACTIVATE_MIN) (note 3)   |                     | < 4000 ms      | ms    |
| 3.7                                                                                                                                                                                                                                                                                                                                                                        | wait until after T-DEACTIVATE (nominally 4000 ms) has expired in the IUT (T_DEACTIVATE_MAX) (note 3)      |                     | > 4000 ms      | ms    |
| 3.8                                                                                                                                                                                                                                                                                                                                                                        | wait before expecting T-INTERROGATE (nominally 4000 ms) to expire in the IUT (T_INTERROGATE_MIN) (note 3) |                     | < 4000 ms      | ms    |
| 3.9                                                                                                                                                                                                                                                                                                                                                                        | wait until after T-INTERROGATE (nominally 4000 ms) has expired in the IUT (T_INTERROGATE_MAX) (note 3)    |                     | > 4000 ms      | ms    |
| NOTE 1: The IUT provider may fill in a range rather than a fixed value for the test management timers. During test execution the test laboratory will choose specific values for the timers dependant on the means of testing used. These specific values may be outside the range given by the IUT provider if this is necessary for achieving satisfactory test results. |                                                                                                           |                     |                |       |
| NOTE 2: For SCF testing the duration of TNOAC should be less than each of T_ACTIVATE_MIN, T_DEACTIVATE_MIN and T_INTERROGATE_MIN.                                                                                                                                                                                                                                          |                                                                                                           |                     |                |       |
| NOTE 3: Items 3.4 to 3.9 are only required for SCF testing. The values should be chosen taking into account the tolerance on the timers in the IUT.                                                                                                                                                                                                                        |                                                                                                           |                     |                |       |



---

## Annex C (normative): Abstract Test Suite (ATS)

These ATSs have been produced using the Tree and Tabular Combined Notation (TTCN) according to ISO/IEC 9646-3 [9].

These ATSs were developed on a separate TTCN software tool and therefore the TTCN tables are not completely referenced in the table of contents. The ATS itself contains a test suite overview part which provides additional information and references.

---

### C.1 The TTCN Graphical form (TTCN.GR)

The TTCN.GR representation of the CDIV ATS is contained in an Adobe Portable Document Format™ file (CDIV\_U04.PDF contained in archive en\_30020704v010204p0.ZIP) which accompanies the present document.

The TTCN.GR representation of the SCF ATS is contained in an Adobe Portable Document Format™ file (SCF\_U02.PDF contained in archive en\_30020704v010204p0.ZIP) which accompanies the present document.

---

### C.2 The TTCN Machine Processable form (TTCN.MP)

The TTCN.MP representation corresponding to this CDIV ATS is contained in an ASCII file (CDIV\_U04.MP contained in archive en\_30020704v010204p0.ZIP) which accompanies the present document.

The TTCN.MP representation corresponding to this SCF ATS is contained in an ASCII file (SCF\_U02.MP contained in archive en\_30020704v010204p0.ZIP) which accompanies the present document.

---

## Bibliography

The following material, though not specifically referenced in the body of the present document (or not publicly available), gives supporting information.

- ETSI ETS 300 196-2 (1996): "Integrated Services Digital Network (ISDN); Generic functional protocol for the support of supplementary services; Digital Subscriber Signalling System No. one (DSS1) protocol; Part 2: Protocol Implementation Conformance Statement (PICS) proforma specification".
- ETSI EN 300 403-1: "Integrated Services Digital Network (ISDN); Digital Subscriber Signalling System No. one (DSS1) protocol; Signalling network layer for circuit-mode basic call control; Part 1: Protocol specification [ITU-T Recommendation Q.931 (1993), modified]".
- ETSI EN 300 403-3: "Integrated Services Digital Network (ISDN); Digital Subscriber Signalling System No. one (DSS1) protocol; Signalling network layer for circuit-mode basic call control; Part 3: Protocol Implementation Conformance Statement (PICS) proforma specification".

---

# History

| <b>Document history</b> |                |                                                  |
|-------------------------|----------------|--------------------------------------------------|
| Edition 1               | September 1997 | Publication as ETS 300 207-4                     |
| V1.2.3                  | April 1999     | Public Enquiry PE 9935: 1999-04-30 to 1999-08-27 |
| V1.2.4                  | December 1999  | Vote V 200007: 1999-12-20 to 2000-02-18          |
| V1.2.4                  | March 2000     | Publication                                      |
|                         |                |                                                  |