

Draft **ETSI EN 300 175-1** V2.7.7 (2019-08)



**Digital Enhanced Cordless Telecommunications (DECT);  
Common Interface (CI);  
Part 1: Overview**

---

**Reference**

REN/DECT-00321

---

**Keywords**

7 kHz, audio, broadband, codec, DECT,  
handsfree, IMT-2000, loudspeaking, mobility,  
narrowband, quality, radio, speech, TDD, TDMA,  
telephony, terminal

**ETSI**

650 Route des Lucioles  
F-06921 Sophia Antipolis Cedex - FRANCE

Tel.: +33 4 92 94 42 00 Fax: +33 4 93 65 47 16

Siret N° 348 623 562 00017 - NAF 742 C  
Association à but non lucratif enregistrée à la  
Sous-Préfecture de Grasse (06) N° 7803/88

---

**Important notice**

The present document can be downloaded from:

<http://www.etsi.org/standards-search>

The present document may be made available in electronic versions and/or in print. The content of any electronic and/or print versions of the present document shall not be modified without the prior written authorization of ETSI. In case of any existing or perceived difference in contents between such versions and/or in print, the prevailing version of an ETSI deliverable is the one made publicly available in PDF format at [www.etsi.org/deliver](http://www.etsi.org/deliver).

Users of the present document should be aware that the document may be subject to revision or change of status.

Information on the current status of this and other ETSI documents is available at

<https://portal.etsi.org/TB/ETSIDeliverableStatus.aspx>

If you find errors in the present document, please send your comment to one of the following services:

<https://portal.etsi.org/People/CommiteeSupportStaff.aspx>

---

**Copyright Notification**

No part may be reproduced or utilized in any form or by any means, electronic or mechanical, including photocopying and microfilm except as authorized by written permission of ETSI.

The content of the PDF version shall not be modified without the written authorization of ETSI.

The copyright and the foregoing restriction extend to reproduction in all media.

© ETSI 2019.

All rights reserved.

**DECT™**, **PLUGTESTS™**, **UMTS™** and the ETSI logo are trademarks of ETSI registered for the benefit of its Members.

**3GPP™** and **LTE™** are trademarks of ETSI registered for the benefit of its Members and of the 3GPP Organizational Partners.

**oneM2M™** logo is a trademark of ETSI registered for the benefit of its Members and of the oneM2M Partners.

**GSM®** and the GSM logo are trademarks registered and owned by the GSM Association.

# Contents

Intellectual Property Rights .....	4
Foreword.....	4
Modal verbs terminology.....	5
1 Scope .....	6
2 References .....	6
2.1 Normative references .....	6
2.2 Informative references.....	7
3 Definition of terms, symbols and abbreviations.....	8
3.1 Terms.....	8
3.2 Symbols.....	18
3.3 Abbreviations .....	19
4 Structure .....	25
4.0 General .....	25
4.1 Part 1: Overview.....	25
4.2 Part 2: Physical Layer (PHL) .....	25
4.3 Part 3: Medium Access Control (MAC) layer.....	25
4.4 Part 4: Data Link Control (DLC) layer.....	25
4.5 Part 5: Network (NWK) layer .....	25
4.6 Part 6: Identities and addressing .....	26
4.7 Part 7: Security features .....	26
4.8 Part 8: Speech and audio coding and transmission.....	26
5 The objectives of the CI standard.....	26
6 General description of the system .....	27
7 Description of the protocol architecture.....	29
7.1 General .....	29
7.2 The DECT layered structure.....	29
7.3 Physical Layer (PHL).....	30
7.4 MAC layer.....	30
7.5 DLC layer.....	30
7.6 Network (NWK) layer.....	30
7.7 Lower Layer Management Entity (LLME) .....	31
7.8 Interworking Units (IWU).....	31
8 Proprietary escapes within the CI.....	31
8.0 General .....	31
8.1 Primary escape routes.....	32
8.2 Secondary escape routes.....	32
9 Levels of conformance .....	33
10 Further development of the DECT standard .....	33
10.1 IMT-2000 .....	33
10.2 The DECT Packet Radio Service (DPRS).....	33
10.3 DECT in international markets.....	33
10.3.0 General.....	33
10.3.1 United States of America.....	34
10.4 The New Generation DECT (NG-DECT).....	34
10.5 DECT Ultra Low Energy (ULE) .....	34
10.6 DECT Evolution.....	36
<b>Annex A (informative): Bibliography.....</b>	<b>37</b>
<b>Annex B (informative): Change history .....</b>	<b>38</b>
History .....	39

---

# Intellectual Property Rights

## Essential patents

IPRs essential or potentially essential to normative deliverables may have been declared to ETSI. The information pertaining to these essential IPRs, if any, is publicly available for **ETSI members and non-members**, and can be found in ETSI SR 000 314: "*Intellectual Property Rights (IPRs); Essential, or potentially Essential, IPRs notified to ETSI in respect of ETSI standards*", which is available from the ETSI Secretariat. Latest updates are available on the ETSI Web server (<https://ipr.etsi.org/>).

Pursuant to the ETSI IPR Policy, no investigation, including IPR searches, has been carried out by ETSI. No guarantee can be given as to the existence of other IPRs not referenced in ETSI SR 000 314 (or the updates on the ETSI Web server) which are, or may be, or may become, essential to the present document.

## Trademarks

The present document may include trademarks and/or tradenames which are asserted and/or registered by their owners. ETSI claims no ownership of these except for any which are indicated as being the property of ETSI, and conveys no right to use or reproduce any trademark and/or tradename. Mention of those trademarks in the present document does not constitute an endorsement by ETSI of products, services or organizations associated with those trademarks.

---

# Foreword

This draft European Standard (EN) has been produced by ETSI Technical Committee Digital Enhanced Cordless Telecommunications (DECT), and is now submitted for the combined Public Enquiry and Vote phase of the ETSI standards EN Approval Procedure.

The present document is part 1 of a multi-part deliverable covering the Common Interface (CI) for the Digital Enhanced Cordless Telecommunications (DECT), as identified below:

- Part 1: "Overview";**
- Part 2: "Physical Layer (PHL)";
- Part 3: "Medium Access Control (MAC) layer";
- Part 4: "Data Link Control (DLC) layer";
- Part 5: "Network (NWK) layer";
- Part 6: "Identities and addressing";
- Part 7: "Security features";
- Part 8: "Speech and audio coding and transmission".

The following aspects of the present document are subject to controlled distribution:

- a) DECT identities, as defined in ETSI EN 300 175-6 [6];
- b) some DECT cryptographic algorithms.

The cryptographic algorithms subjected to controlled distribution specify the details of the DECT Standard Authentication Algorithm (DSAA) and the DECT Standard Cipher (DSC). The cryptographic algorithms DECT Standard Authentication Algorithm #2 (DSAA2) and DECT Standard Cipher #2 (DSC2) are not subjected to controlled distribution.

These aspects are distributed on an individual basis. Further information and details of the current distribution procedures can be obtained from the ETSI Secretariat at the address on the second page of the present document.

Further details of the DECT system may be found in ETSI TR 101 178 [i.4], ETSI ETR 043 [i.5] and ETSI TR 102 185 [i.6].

<b>Proposed national transposition dates</b>	
Date of latest announcement of this EN (doa):	3 months after ETSI publication
Date of latest publication of new National Standard or endorsement of this EN (dop/e):	6 months after doa
Date of withdrawal of any conflicting National Standard (dow):	18 months after doa

---

## Modal verbs terminology

In the present document "**shall**", "**shall not**", "**should**", "**should not**", "**may**", "**need not**", "**will**", "**will not**", "**can**" and "**cannot**" are to be interpreted as described in clause 3.2 of the [ETSI Drafting Rules](#) (Verbal forms for the expression of provisions).

"**must**" and "**must not**" are **NOT** allowed in ETSI deliverables except when used in direct citation.

---

# 1 Scope

The present document gives an introduction and overview of the complete Digital Enhanced Cordless Telecommunications (DECT) Common Interface (CI).

The present document contains an abstract of the other parts of the DECT standard together with a general description of:

- the objectives of the present document;
- the DECT Common Interface;
- the protocol architecture of DECT.

The present document also provides an extensive vocabulary; in particular it contains the common definitions of all the technical terms used in different parts of the present document.

The present document includes New Generation DECT, a further development of the DECT standard introducing wideband speech, improved data services, new slot types and other technical enhancements.

The present document includes DECT Evolution.

---

## 2 References

### 2.1 Normative references

References are either specific (identified by date of publication and/or edition number or version number) or non-specific. For specific references, only the cited version applies. For non-specific references, the latest version of the referenced document (including any amendments) applies.

Referenced documents which are not found to be publicly available in the expected location might be found at <http://docbox.etsi.org/Reference>.

NOTE: While any hyperlinks included in this clause were valid at the time of publication ETSI cannot guarantee their long term validity.

The following referenced documents are necessary for the application of the present document.

- [1] Void.
- [2] ETSI EN 300 175-2: "Digital Enhanced Cordless Telecommunications (DECT); Common Interface (CI); Part 2: Physical Layer (PHL)".
- [3] ETSI EN 300 175-3: "Digital Enhanced Cordless Telecommunications (DECT); Common Interface (CI); Part 3: Medium Access Control (MAC) layer".
- [4] ETSI EN 300 175-4: "Digital Enhanced Cordless Telecommunications (DECT); Common Interface (CI); Part 4: Data Link Control (DLC) layer".
- [5] ETSI EN 300 175-5: "Digital Enhanced Cordless Telecommunications (DECT); Common Interface (CI); Part 5: Network (NWK) layer".
- [6] ETSI EN 300 175-6: "Digital Enhanced Cordless Telecommunications (DECT); Common Interface (CI); Part 6: Identities and addressing".
- [7] ETSI EN 300 175-7: "Digital Enhanced Cordless Telecommunications (DECT); Common Interface (CI); Part 7: Security features".
- [8] ETSI EN 300 175-8: "Digital Enhanced Cordless Telecommunications (DECT); Common Interface (CI); Part 8: Speech and audio coding and transmission".

- [9] ETSI EN 300 176 (all parts): "Digital Enhanced Cordless Telecommunications (DECT); Test specification".
- [10] Recommendation ITU-R M.1457-14: "Detailed specifications of the terrestrial radio interfaces of International Mobile Telecommunications-2000 (IMT-2000)". .
- [11] ETSI EN 301 649: "Digital Enhanced Cordless Telecommunications (DECT); DECT Packet Radio Service (DPRS)".
- [12] ETSI TS 102 497: "Digital Enhanced Cordless Telecommunications (DECT); DECT in the 1 920 MHz to 1 930 MHz Unlicensed Personal Communications Services (UPCS) frequency band; Specific requirements".

## 2.2 Informative references

References are either specific (identified by date of publication and/or edition number or version number) or non-specific. For specific references, only the cited version applies. For non-specific references, the latest version of the referenced document (including any amendments) applies.

NOTE: While any hyperlinks included in this clause were valid at the time of publication ETSI cannot guarantee their long term validity.

The following referenced documents are not necessary for the application of the present document but they assist the user with regard to a particular subject area.

- [i.1] ETSI EN 300 403-1: "Integrated Services Digital Network (ISDN); Digital Subscriber Signalling System No. one (DSS1) protocol; Signalling network layer for circuit-mode basic call control; Part 1: Protocol specification [ITU-T Recommendation Q.931 (1993), modified]".
- [i.2] Recommendation ITU-R SM.1046-2: "Definition of spectrum use and efficiency of a radio system".
- [i.3] Recommendation ITU-R M.816-1: "Framework for services supported on International Mobile Telecommunications-2000 (IMT-2000)".
- [i.4] ETSI TR 101 178: "Digital Enhanced Cordless Telecommunications (DECT); A High Level Guide to the DECT Standardization".
- [i.5] ETSI ETR 043: "Digital Enhanced Cordless Telecommunications (DECT); Common Interface (CI); Services and facilities requirements specification".
- [i.6] ETSI TR 102 185: "Digital Enhanced Cordless Telecommunications (DECT); Data Services Profile (DSP); Profile overview".
- [i.7] ETSI ETR 310: "Digital Enhanced Cordless Telecommunications (DECT); Traffic capacity and spectrum requirements for multi-system and multi-service DECT applications co-existing in a common frequency band".
- [i.8] ETSI TS 102 265: "Digital Enhanced Cordless Telecommunications (DECT); DECT access to IP networks".
- [i.9] Recommendation ITU-T P.311: "Transmission characteristics for wideband (150-7000 Hz) digital handset telephones".
- [i.10] ETSI TR 102 570: "Digital Enhanced Cordless Telecommunications (DECT); New Generation DECT; Overview and Requirements".
- [i.11] ETSI TS 102 527-1: "Digital Enhanced Cordless Telecommunications (DECT); New Generation DECT; Part 1: Wideband Speech".
- [i.12] ETSI TS 102 527-2: "Digital Enhanced Cordless Telecommunications (DECT); New Generation DECT; Part 2: Support of transparent IP packet data".
- [i.13] ETSI TS 102 527-3: "Digital Enhanced Cordless Telecommunications (DECT); New Generation DECT; Part 3: Extended wideband speech services".

- [i.14] ETSI TS 102 527-4: "Digital Enhanced Cordless Telecommunications (DECT); New Generation DECT; Part 4: Light Data Services; Software Update Over The Air (SUOTA), content downloading and HTTP based applications".
- [i.15] ETSI TS 102 527-5: "Digital Enhanced Cordless Telecommunications (DECT); New Generation DECT; Part 5: Additional feature set nr. 1 for extended wideband speech services".
- [i.16] Recommendation ITU-T V.42: "Error-correcting procedures for DCEs using asynchronous-to-synchronous conversion".
- [i.17] Recommendation ITU-T V.24: "List of definitions for interchange circuits between Data Terminal Equipment (DTE) and data circuit-terminating equipment (DCE)".
- [i.18] ETSI TS 102 939-1: "Digital Enhanced Cordless Telecommunications (DECT); Ultra Low Energy (ULE); Machine to Machine Communications; Part 1: Home Automation Network (phase 1)".
- [i.19] ETSI TS 102 939-2: "Digital Enhanced Cordless Telecommunications (DECT); Ultra Low Energy (ULE); Machine to Machine Communications; Part 2: Home Automation Network (phase 2)".
- [i.20] IEEE 802.11-2012™: "IEEE Standard for Information technology--Telecommunications and information exchange between systems Local and metropolitan area networks--Specific requirements Part 11: Wireless LAN Medium Access Control (MAC) and Physical Layer (PHY) Specifications".
- [i.21] Recommendation ITU-T G.722 (2012): "7 kHz audio-coding within 64 kbit/s".
- [i.22] Recommendation ITU-T G.729.1 (2006): "G.729-based Embedded Variable bit-rate coder: An 8-32 kbit/s scalable wideband coder bitstream interoperable with G.729".
- [i.23] ISO/IEC 14496-3:2009: "Information technology -- Coding of audio-visual objects -- Part 3: Audio" (ISO/IEC JTC1/SC29/WG11 (MPEG)).
- [i.24] IETF RFC 3261: "SIP: Session Initiation Protocol".
- [i.25] Recommendation ITU-T H.323: "Packet-based multimedia communications systems".
- [i.26] ETSI TS 103 634: "Digital Enhanced Cordless Telecommunications (DECT); Low Complexity Communication Codec plus (LC3plus)".

---

## 3 Definition of terms, symbols and abbreviations

### 3.1 Terms

For the purposes of the present document, the following terms apply:

**Access Rights Class (ARC):** type of access to a DECT network, such as public, residential or private

**Access Rights Details (ARD):** unique number within one ARC

**Access Rights Identity (ARI):** globally unique identity that shows the access rights related to a service provider

NOTE: PARI = Primary ARI;  
SARI = Secondary ARI;  
TARI = Tertiary ARI.

**algorithm:** mathematical process or function that transforms an input into an output

**algorithm identifier:** designator to show which algorithm is in use, so that the correct one may be chosen



**antenna diversity:** diversity implies that the Radio Fixed Part (RFP) for each bearer independently can select different antenna properties such as gain, polarization, coverage patterns and other features that may affect the practical coverage

NOTE: A typical example is space diversity, provided by two vertically polarized antennas separated by 10 cm to 20 cm.

**asymmetric algorithm:** See public key algorithm.

**attach:** process whereby a Portable Part (PP) within the coverage area of a Fixed Part (FP) to which it has access rights, notifies the FP that it is operative

**authentication:** corroboration that an entity is the one that is claimed

**authentication of Fixed radio Termination (FT):** process whereby the identity of an FT is verified to a DECT PT

**authentication of Portable radio Termination (PT):** process whereby a DECT PT is positively verified to be a legitimate user of a particular FP

**authentication (of a subscriber):** process whereby a DECT subscriber is positively verified to be a legitimate user of a particular FP

**authentication of user:** process whereby a DECT user is positively verified to be a legitimate user of a particular FP

**bearer:** See Medium Access Control (MAC) bearer or bearer service.

**bearer handover:** internal handover process provided by the MAC layer, whereby one MAC connection can modify its underlying bearers while maintaining the service provided to the Data Link Control (DLC) layer

**bearer service:** type of telecommunication service that provides a defined capability for the transmission of signals between user-network interfaces

**broadcast:** simplex point-to-multipoint mode of transmission

**C-plane:** control plane of the DECT protocol stacks, which contains all of the internal DECT protocol control, but may also include some external user information

**call:** all of the Network (NWK) layer processes involved in one NWK layer peer-to-peer association

**cell:** domain served by a single antenna(e) system (including a leaky feeder) of one FP

**Central Control Fixed Part (CCFP):** physical grouping that contains the central elements of a FP

**centrex:** implementation of a private telecommunication network exchange that is not located on the premises of the private network operator

**Cipher Block Chaining Message Authentication Code (CBC-MAC):** cryptographic technique for constructing a message authentication code from a block cipher

**Cipher Key (CK):** value that is used to determine the transformation of plaintext to ciphertext in a cryptographic algorithm

**Cipher Key (CK) generation:** process for generating cryptographic keys

**ciphertext:** output of a cryptographic algorithm

**channel:** See physical channel.

**cluster:** logical grouping of one or more cells between which bearer handover is possible

**confidentiality:** rendering information secret as ciphertext unless the capability is possessed to recover the plaintext from ciphertext

**connection:** See MAC connection.

**connection handover:** internal handover process provided by the DLC layer, whereby one set of DLC entities (C-plane and U-plane) can re-route data from one MAC connection to a second new MAC connection, while maintaining the service provided to the NWK layer

**Connection Less mode (C/L):** transmission mode that transfers one packet (one self-contained unit) of data from one source point to one (or more) destination points in a single phase

**Connection Oriented mode (C/O):** transmission mode that transfers data from one source point to one or more destination points using a protocol based on three phases:

- "Set-up";
- "Data transfer"; and
- "Release".

**Cordless Radio Fixed Part (CRFP):** Wireless Relay Station (WRS) that provides independent bearer control to a PT and FT for relayed connections

**Counter with CBC-MAC (CCM):** authenticated encryption algorithm designed to provide both authentication and confidentiality

**countermeasure:** device, instrument or procedure used to counteract or defend against a threat

**coverage area:** area over which reliable communication can be established and maintained

**cryptography:** secret writing

**Data Encryption Standard (DES):** United States Federal data encryption standard

**Data Link Control (DLC):** layer 2b of the DECT protocol stack

**decipherment:** rendering of ciphertext into plaintext

**DECT NetWork (DNW):** network that uses the DECT air interface to interconnect a local network to one or more portable applications

**DECT Standard Authentication Algorithm (DSAA):** algorithm used for authentication in DECT

**DECT Standard Authentication Algorithm #2 (DSAA2):** algorithm used for authentication in DECT

**DECT Standard Cipher (DSC):** algorithm used for data encryption in DECT

**DECT Standard Cipher #2 (DSC2):** algorithm used for data encryption in DECT

**Default Cipher Key (DefCK):** Derived Cipher Key (DCK) that is stored in both FP and PP to be used later by MAC to immediately encrypt with connection establishment

**Derived Cipher Key (DCK):** Cipher Key (CK) that is established as part of the procedure used to authenticate the PT

**distributed communication:** ability of a DECT terminal to provide means for or assist direct communication between any two terminals, members of a "closed" local DECT network

**DLC broadband data link:** link that can be associated with a logical MAC connection comprising a number of MAC (physical) connections

**DLC broadcast:** simplex "connectionless" mode of transmission from the DLC broadcast entity of one FT to the DLC broadcast entities in one or more PT

**DLC data link (DLC link):** association between two DLC layer entities

**DLC frame:** format used to structure all messages that are exchanged between DLC layer peer entities

**double duplex bearer:** use of two duplex bearers (see duplex bearer) which refer to the same MAC connection, sharing their simplex bearers (see simplex bearer) for the information flow

**double-simplex bearer:** use of two simplex bearers operating in the same direction on two physical channels

**double slot:** one 12<sup>th</sup> of a TDMA frame which is used to support one high capacity physical channel

**down-link:** transmission in the direction FT to PT

**duplex bearer:** use of two simplex bearers operating in opposite directions on two physical channels

**encipherment:** rendering of plaintext into ciphertext

**End System (ES):** logical grouping that contains application processes and supports telecommunication services

**expedited (messages, procedures, operations):** MAC C/O operations (messages, procedures, operations) intended for ultra-fast setup and release of bearers, allowing in most cases reduction in the number of messages and early or late U-plane transmission compared to regular procedures

**expedited connections:** advanced connections able to use the expedited messages of the advanced connection control part 2 set and their associate procedures for bearer setup and release

**extended MAC control messages:** MAC messages of the B-field connection control set

**external handover:** process of switching a call in progress from one FP to another FP

**Fast Encryption Algorithm (FEAL):** particular encryption algorithm in the public domain

**field:** continuous region of data (i.e. adjacent bits) that jointly convey information

**fixed geometry Portable Part (PP):** PP in which the electro-acoustic transducers and their associated acoustic components are held in fixed relative positions and/or orientations during all on-line conditions and test conditions of the PP

**Fixed Part (DECT Fixed Part) (FP):** physical grouping that contains all of the elements in the DECT network between the local network and the DECT air interface

**Fixed radio Termination (FT):** logical group of functions that contains all of the DECT processes and procedures on the fixed side of the DECT air interface

**flow control:** mechanism that is used to regulate the flow of data between two peer entities

**fragment:** one of the Service Data Units (SDUs) that is produced by the process of fragmentation

**fragmentation:** process of dividing a Protocol Data Unit (PDU) into more than one SDU for delivery to a lower layer

**frame:** See TDMA frame or DLC frame.

**full slot (slot):** one 24<sup>th</sup> of a TDMA frame which is used to support one physical channel

**fullband speech:** voice service with a nominal pass-band wider than 50 - 14 000 Hz, usually understood to be 20 - 20 000 Hz

**generic:** generalized set or general purpose set, often in the sense of basic or ordinary

**Generic Access Profile (GAP):** standard in addition to the DECT CI that ensures interoperability between FPs and PPs from different manufacturers

**geographically unique:** two FPs with the same PARI, or respectively two RFPs with the same RFPI, cannot be reached or listened to at the same geographical position

**Global NetWork (GNW):** telecommunication network capable of offering a long distance telecommunication service

**globally unique identity:** identity is unique within DECT (without geographical or other restrictions)

**guard space:** nominal interval between the end of a radio transmission in a given slot and the start of a radio transmission in the next successive slot

**half slot:** one 48<sup>th</sup> of a TDMA frame which is used to support one physical channel

**handover:** process of switching a call in progress from one physical channel to another physical channel

**handset echo:** echo, perceptible by the far-end user, resulting from the coupling between the receiving and sending directions of the handset, mostly due to acoustic coupling between transducers

**Headset PP (HPP):** wireless headset telephone using the DECT air interface

NOTE: A HPP usually has only one speaker and one microphone combined with a limited set of keys (e.g. call button, volume plus, and volume minus). Headsets provide the equivalent functionality of a PP with hands-free operation.

**Home Automation Network:** network that connects all sensors and actors in a house or apartment, providing interoperability for devices of different vendors and typically has a connection to the Internet

NOTE: The Home Automation Network is used for various applications, from Home Automation and Security to Climate Control and Energy Management.

**Hybrid Part (HyP):** DECT terminal that provides FT as well as PT capabilities

**impersonation:** where one identity claims the part of another identity

**incoming call:** call received at a PP

**Integrated Services Digital Network (ISDN):** digital telecommunications infrastructure to the Consultative Committee on International Telegraphy and Telephony (CCITT) standards

**intercell handover:** switching of a call in progress from one cell to another cell

**internal call:** call between 2 users that does not make use of the local network resources

**internal handover:** handover processes that are completely internal to one FT

**International Portable User Identity (IPUI):** identity that uniquely defines one user within the domain defined by this access rights related to this IPUI

**interoperability:** capability of FPs and PPs, that enable a PP to obtain access to teleservices in more than one location area and/or from more than one operator (more than one service provider)

**interoperator roaming:** roaming between FP coverage areas of different operators (different service providers)

**InterWorking Unit (IWU):** unit that is used to interconnect subnetworks

**intracell handover:** switching of a call in progress from one physical channel of one cell to another physical channel of the same cell

**intraoperator roaming:** roaming between different FP coverage areas of the same operator (same service provider)

**isochronous:** essential characteristic of a time-scale or a signal such that the time intervals between consecutive significant instants either have the same duration or durations that are integral multiples of the shortest duration

**key management:** way in which cryptographic keys are generated, distributed and used

**Key Stream Generator (KSG):** cryptographic algorithm which produces a stream of binary digits which can be used for encipherment and decipherment

**link:** See DLC data link.

**Local Area Network (LAN):** electronic systems which are interconnected and in physical proximity to each other

**Local Network (LNW):** telecommunication network capable of offering local telecommunication services

**locally unique identity:** identity is unique within one FP or location area, depending on application

**location area:** domain in which a PP may receive (and/or make) calls as a result of a single location registration

**location registration:** process whereby the position of a DECT portable termination is determined to the level of one location area, and this position is updated in one or more databases

**logical channel:** generic term for any distinct data path

**logical connection:** association between two instances of the MAC MBC that can be used by higher layers to exchange U-plane or C-plane data

**Low Complexity Communication Codec plus (LC3plus):** standard for narrowband to fullband low delay audio communication" designed for very high quality communication application including all kind of audio signals, e.g. speech and music, as defined by ETSI TS 103 634 [i.26]

NOTE: LC3plus operates at sample rates 8 kHz, 16 kHz, 24 kHz, 32 kHz and 48 kHz and provides an audio bandwidth of up to 16 kHz in super-wideband mode and an audio bandwidth of up to 24 kHz in fullband mode. The codec also contains error protection capabilities and a very performant packet loss algorithm.

**Lower Layer Management Entity (LLME):** management entity that spans a number of lower layers, and is used to describe all control activities which do not follow the rules of layering

**Lower Tester (LT):** logical grouping that contains the test equipment, a functionally equivalent DECT PT, a functionally equivalent DECT FT and a test controller

**MAC bearer (bearer):** service element that is provided by each Cell Site Function (CSF)

**MAC connection (connection):** association between one source MAC Multi-Bearer Control (MBC) entity and one destination MAC MBC entity

**Machine-to-Machine (M2M) solution:** combination of devices, software and services that operate with little or no human interaction

**masquerading:** where one identity plays the part of, or acts as, another identity

**Medium Access Control (MAC):** layer 2a of the DECT protocol stack

**Mesh network operation:** distributed radio network where nodes are able to transmit, receive and forward data between each other and to transmit, receive and forward data to or from external network(s)

NOTE: A node operates as FP when receiving data from other node(s) and as PP when transmitting data to other node(s).

**Message Authentication Code (CCM):** short piece of information generated by a cryptographic function used to authenticate and to protect the data integrity of a message

**Message Integrity Code (CCM):** alternative name for the Message Authentication Code

**minimal MMS-message attributes:** message meta-information used in the request-to-send, etc.

**MMS-message attributes:** message meta-information

**Modulation and Coding Scheme (MCS):** combination of the radio carrier Modulation scheme, such as BPSK through to 64QAM; and the channel Coding Scheme, such as rate 1/2 through 5/6, that are used when transmitting U-plane data

**mobility class 1:** local area applications, for which terminals are pre-registered off-air with one or more specific fixed parts, and establishment of service and user parameters is therefore implicit, according to a profile-defined list

**mobility class 2:** private and public roaming applications for which terminals may move between FPs within a given domain and for which association of service parameters is explicit at the time of service request

**multicast:** C/L downlink service intended for sending data to a group of PTs

**multi-cell (system):** system with a FP consisting of multiple cells

**multiframe:** repeating sequence of 16 successive TDMA frames, that allows low rate or sporadic information to be multiplexed (e.g. basic system information or paging)

**Multimedia Messaging Service (MMS):** generic set of commands, information elements and functionality for file/messaging service

**mutual authentication:** where two entities corroborate the identity of each other

**network (telecommunication network):** all the means of providing telecommunication services between a number of locations where the services are accessed via equipment attached to the network

**network echo:** echo, perceptible by the DECT user, resulting from reflections in the network

NOTE: It is mostly due to hybrid impairments at both ends of the communication.

**New Generation DECT:** further development of the DECT standard introducing wideband speech, improved data services, new slot types and other technical enhancements

**node:** point at which switching occurs

**NEMo++:** long slot dummy bearer used to wake handsets from no-emissions mode and simultaneously provide the information required for ULE devices to achieve lock

**No Emission Mode (NEMo):** operation mode that switches down all RFP emissions when the system is idle

**operator (DECT operator):** individual or entity who or which is responsible for operation of one or more DECT FPs

**outgoing call:** call originating from a PP

**Packet Data Protocol (PDP):** terminology used in GPRS and 3GPP that refers to any of the data protocols transported over the radio packet service (IP, X.25, etc.)

**paging:** process of broadcasting a message from a DECT FP to one or more DECT PPs

**paging area:** domain in which the PP will be paged as a part of incoming call establishment

**PARK Length Indicator (PLI):** associates a group of FP ARIs to the PARK, by indicating how many of the first ARC + ARD bits are relevant

**PDP context:** terminology used in GPRS and 3GPP to denote the context associated to a packet data connection. It is equivalent to "virtual circuit"

**Permanent Virtual Circuit (PVC):** Virtual Circuit that can be established and cleared only by configuration

**Personal Identity Number (PIN):** short sequence of numbers (usually 4 to 8 digits) which may be used in an authentication process to prove identity

**phase:** one discrete part of a procedure, where the start and end of the part can be clearly identified (e.g. by the arrival or dispatch of a primitive)

**Physical (PHY):** layer 1 of the DECT protocol stack

**physical channel (channel):** simplex channel that is created by transmitting in one particular slot on one particular RF channel in successive TDMA frames

**plaintext:** information or data which is intelligible to everyone

**Portable Access Rights Key (PARK):** this states the access rights for a PP

**Portable Application (PA):** logical grouping that contains all the elements that lie beyond the DECT network boundary on the portable side

**Portable HandSet (PHS):** single physical grouping that contains all of the portable elements that are needed to provide a teleservice to the user

**Portable Part (DECT Portable Part) (PP):** physical grouping that contains all elements between the user and the DECT air interface

**Portable radio Termination (PT):** logical group of functions that contains all of the DECT processes and procedures on the portable side of the DECT air interface

**Portable User Number (PUN):** globally or locally unique number within one PUT

**Portable User Type (PUT):** this shows the numbering plan structure of a PUN

**Primary Access Rights Identity (PARI):** most frequently transmitted ARI

**primitive:** distinct (but abstract) data element that is passed between adjacent protocol layers

**private:** attribute indicating that the application of the so qualified term, e.g. a network, an equipment, a service, is offered to, or is in the interest of, a determined set of users

**proprietary algorithm:** algorithm which is the intellectual property of a legal entity

**public:** attribute indicating that the application of the so qualified term, e.g. a network, an equipment, a service, is offered to, or is in the interest of, the general public

**Public Access Profile (PAP):** profile which ensures interoperability between FPs and PPs for public access services

**public access service:** service that provides access to a public network for the general public

**public key algorithm:** cryptographic algorithm in which a different key is used for encipherment and for decipherment

**radio channel:** See RF channel or physical channel.

**radio end point:** physical grouping that contains one radio transceiver (transmitter/receiver), fixed or portable

**Radio Fixed Part (RFP):** one physical sub-group of a FP that contains all the radio end points (one or more) that are connected to a single system of antennas

**Radio Fixed Part Identity (RFPI):** identity frequently transmitted by every RFP:

- PARI;
- the RFPs local identity within that FP;
- domains for handover and location areas.

**random number:** number generated by a non-deterministic process

**registration:** See either location registration or subscription registration.

**REpeater Part (REP):** WRS that relays information within the half frame time interval

**resume:** procedure to re-establish the physical connection for a logical connection in suspended state

**resumed state:** state of an established logical connection, open at MB, DLC and NWK, with active TBCs and physical layer

**RF carrier (carrier):** centre frequency occupied by one DECT transmission

**RF channel:** nominal range of frequencies (RF spectrum) allocated to the DECT transmissions of a single RF carrier

**roaming:** movement of a PP from one FP coverage area to another FP coverage area, where the capabilities of the FPs enable the PP to make or receive calls in both areas

**roaming service:** service which can be used in more than one FP coverage area

**RS:** a cryptographic parameter used for the calculation of authentication session keys

**RS<sub>128</sub>:** 128 bit variant of RS

**RS<sub>128</sub>':** the RS<sub>128</sub> used for the generation of KS'

**RS1/RS2:** components of RS<sub>128</sub> when RS<sub>128</sub> is assembled from two parts

**Rivest, Shamir and Adleman (RSA) algorithm:** public key algorithm

**Secondary Access Rights Identity (SARI):** less frequently broadcast than the PARI

**security attribute:** protocol element indicating security services, mechanisms, processes or algorithms that are supported

**segment:** one of the pieces of data that is produced by the process of segmentation

**segmentation:** process of partitioning one SDU from a higher layer into more than one PDU

**Session Key (KS):** key which is used only for a single session

**service call:** call initiated by a DECT PT for entering of FT related service and adjustment procedures in a transparent way

**service provider (telecommunications service provider):** individual, or entity, who, or which, interfaces to the customer in providing telecommunications service

**service type A:** low speed frame relay, with a net sustainable throughput of up to 24 kbit/s, optimized for burst data, low power consumption and low complexity applications such as hand-portable equipment

**service type B:** high performance frame relay, with a net sustainable throughput of up to 552 kbit/s, optimized for high speed and low latency with burst data

**service type C:** non-transparent connection of data streams requiring Link Access Protocol (LAP) services, optimized for high reliability and low additional complexity

**service type D:** non-transparent service that supports Isochronous Data Bearer Services and is suitable for transparent transfer of isochronous data streams

**service type E:** short message transfer or paging service which may be unacknowledged or acknowledged, optimized for small SDUs, low PP complexity and ultra-low power consumption

**service type F:** application profile specifically supporting teleservices such as fax, building upon the services offered by the type A/B and C profiles, optimized for terminal simplicity, spectrum efficiency and network flexibility

**sequencing (sequence numbering):** process of adding a sequence number to a set of data packets so that the packets can be reassembled in the correct order, regardless of the order they are received

**simplex bearer:** MAC layer service that is created using one physical channel

**Single Radio Fixed Part (SRFP):** radio FP that contains only one radio end point

**Software Upgrade Over The Air (SUOTA):** capability to upgrade the Software or the Firmware in the PP by means of downloading it from the FP via the DECT air interface

**stream cipher:** algorithm in which the output is combined bit by bit with plaintext to produce the ciphertext

**Subscriber Interface Module (SIM):** smart card used for authentication in GSM

**subscriber (customer):** natural person or juristic person who has subscribed to telecommunication services, and is, therefore, responsible for payment

**subscription registration:** infrequent process whereby a subscriber obtains access rights to one or more FPs

**super-wideband speech:** voice service with enhanced quality compared to ADPCM G.726 and allowing the transmission of a maximum vocal frequency of at least 14 kHz

**Supplementary Service (SS):** service that modifies or supplements a basic telecommunication service:

- 1) DECT TRANSPARENT supplementary services:
  - the service elements are unspecified within the multi-part ETSI EN 300 175;
- 2) DECT STANDARD supplementary services:
  - the service elements are specified within the multi-part ETSI EN 300 175 by reference to other standards;
- 3) DECT SPECIFIC supplementary services:
  - the service elements are fully specified within the multi-part ETSI EN 300 175.

**suspend:** procedure to release the physical connection without releasing the logical connection

**suspended state:** state of an established logical connection open at MBC, DLC and NWK but with no associated TBCs and physical layer resources



**switching:** process of interconnecting functional units, transmission channels or telecommunication circuits for as long as required to convey signals

**symmetric algorithm:** cryptographic algorithm in which the same key is used for both encipherment and decipherment

**synchronization:** methods used to ensure that time correspondence exists between processes to ensure that data is not repeated or lost

**synchronous:** essential characteristics of time-scales or signals such that their corresponding significant instants occur at precisely the same average rate

**synchronous transmission:** transmission using isochronous signals in which the sending and receiving instruments are operating continuously in a constant time difference between corresponding significant instants

**TDMA frame:** time-division multiplex of 10 ms duration containing 24 successive full slots

**telecommunication:** any transmission and/or emission and/or reception of signals representing signs, writings, images, and sounds or intelligence of any nature by wire, radio, optical or other electromagnetic systems

**teleservice:** type of telecommunication service that provides the complete capability, including terminal equipment functions, for communication between users, according to protocols that are established by agreement

**Tertiary Access Rights Identity (TARI):** available as a Yes/No answer upon a request including the wanted ARI, not broadcast at all

**threat:** indication of coming evil

**TPUI domain:** domain over which every TPUI is (locally) unique

**U-plane:** user plane of the DECT protocol stacks

**ULE No Emission Mode:** No Emission Mode for ULE

**Ultra Low Energy (ULE):** packet data technology based on DECT intended for M2M communications and optimized for ultra low power consumption under low or moderate data rate and traffic conditions

**up link:** transmission in the direction PT to FT

**User Authentication Key (UAK):** cryptographic key held by a user to prove identity

**user (of a telecommunication network):** person or machine delegated by a subscriber (by a customer) to use the services, and/or facilities, of a telecommunication network

**variable geometry PP:** PP that allows the position and/or orientation of its electro-acoustic transducers and their associated acoustic components to be changed during all on-line conditions of the PP

**Virtual Call (VC):** any packet-mode user connection that can be setup and released by means of NWK layer C-plane procedures

NOTE 1: A Virtual Call is the packet-mode equivalent of a circuit-mode call.

NOTE 2: Virtual Call is the DECT terminology for what in GPRS and UMTS is called "PDP context".

**virtual circuit:** any packet-mode user connection able to transport the user packet data protocol

NOTE 1: Each Virtual Circuit provides an independent and isolated context for each subscriber data session and is mapped to one DLC Link and to one MAC Logical connection

NOTE 2: Virtual circuits could be of two types: Virtual Calls (VC) and Permanent Virtual Circuits (PVC).

NOTE 3: A Permanent Virtual Circuit is the packet-mode equivalent of a circuit-mode leased line. A PVC is a degenerated case of a VC.

**wideband speech:** voice service with enhanced quality compared to ADPCM G.726 and allowing the transmission of a vocal frequency range of at least 150 Hz to 7 kHz, and fulfilling, at least, the audio performance requirements described in the Recommendation ITU-T P.311 [i.9]

**Wireless Relay Station (WRS):** physical grouping that combines elements of both PTs and FTs to relay information on a physical channel from one DECT termination to a physical channel to another DECT termination

**XRES1:** expected response calculated by a Fixed radio Termination (FT)

**XRES2:** expected response calculated by a Portable radio Termination (PT)

**X.25:** packet switched network

## 3.2 Symbols

For the purposes of the present document, the following symbols apply:

NOTE: This list of symbols applies to all parts of this multi-part deliverable.

$B_S$	Slow Broadcast channel
$BT$	Bandwidth Time product (Gaussian filters)
$B_U$	ULE Broadcast channel
$C$	higher layer control Channel (see $C_S$ and $C_F$ )
$C_F$	higher layer signalling Channel (fast)
$CL_F$	higher layer ConnectionLess channel (fast), (logical channel to the MAC layer)
$CL_S$	higher layer Connectionless channel (slow)
$C_S$	higher layer signalling Channel (slow)
$C_T$	one $C_S$ or $CL_S$ channel segment
$dBc$	dB relative to the peak power of an unmodulated carrier
$dBm$	dB relative to 1 milliwatt
$dBm0$	the absolute power level in decibels referred to a point of zero relative level
$dBr$	the relative power level in decibels
$G_F$	higher layer information control channel (fast) (a logical channel to the MAC layer)
$G_{FA}$	higher layer information control channel (slow) (a logical channel to the MAC layer)
$I_N$	higher layer Information channel unprotected (in general, any variant)
$I_{NA}$	higher layer Information channel unprotected, minimum delay operation
$I_{NB}$	higher layer Information channel unprotected, normal delay operation
$I_P$	higher layer Information channel protected (in general, any variant)
$I_{PF}$	higher layer Information channel (protected) transported multiplexed with signalling in the E+U type slots
$I_{PK}$	higher layer Information channel protected, with constant-size subfield format
$I_{PKR}$	higher layer Information channel protected, with constant-size subfield format and error correction
$I_{PM}$	higher layer Information channel (protected) with multi subfield format
$I_{PMR}$	higher layer Information channel (protected) with multi subfield format and error correction using MOD-2 retransmission mechanism
$I_{PQ}$	higher layer Information channel (protected) with single subfield format
$I_{PQR}$	higher layer Information channel (protected) with single subfield format and error correction using
$I_{PX}$	higher layer Information channel, encodec protected, minimum delay operation
$kB$	Kilobyte
$MBn$	A header in the B-field E-mux format or a message sent using this format
$M_T$	MAC control channel on A-tail field, or one message on such channel
$M_U$	MAC control channel on B-field for ULE
$N$	identities channel
$N_S$	Split identities channel on B-field for ULE
$N_T$	identities information channel or one message in such channel
$P_U$	ULE Paging channel on B-field
$Q_H$	4 bit Header in the $Q_T$ channel
$Q_T$	system information and Multiframe marker
$SI_N$	higher layer connectionless channel (Unprotected)

SI <sub>p</sub>	higher layer connectionless channel (Protected)
SI <sub>pF</sub>	higher layer connectionless channel (protected) transported multiplexed with signalling in the E+U type slots

### 3.3 Abbreviations

For the purposes of the present document, the following abbreviations apply:

NOTE: This list of abbreviations applies to all parts of this multi-part deliverable.

A	Algorithm
AAC-LD	Advanced Audio Coding-Low Delay
AAL	ATM Adaptation Layers
AC	Authentication Code
ACK	(positive) ACKnowledgement
ACP	Adjacent Channel Power
ADPCM	Adaptive Differential Pulse Code Modulation
ADSL	Asymmetric Digital Subscriber Line
ADU	Adapted Data Unit
AES	Advanced Encryption Standard
ALI	Assigned Link Identifier
A-MAP	A-field MAP
AMCI	Advanced MAC Connection Identifier
ANSI	American National Standards Institute
ARC	Access Rights Class
ARD	Access Rights Details
ARI	Access Rights Identity
ARL	Acoustic Reference Level
ARQ	Automatic Repeat reQuest
ASCII	American Standard Code for Information Interchange
ASM	Assigned link identifier with Synchronous Mode
ATM	Asynchronous Transfer Mode
BA (bits)	B-field identification bits, a group of bits in the A-field header
BCD	Binary Coded Decimal
BCK (bit)	B-field aCKnowledgement
BCT	Business Cordless Telephone
BER	Bit Error Ratio
B-MAP	B-field MAP
BMC	Broadcast Message Control
BMCI	Basic MAC Connection Identifier
BRA	ISDN Basic Rate Access
BRAT	Basic RATE adaptation service
C/L	ConnectionLess mode
C/O	Connection Oriented mode
CAI	Common Air Interface
CBC	Connectionless Bearer Control
CBC-MAC	Cipher Block Chaining Message Authentication Code
CBI	Collective Broadcast Identifier
CC	Call Control
CCF	Cluster Control Function
CCFP	Central Control Fixed Part
CCM	Counter with CBC-MAC
CEP	Connection End Point
CHO	Connection HandOver
CHP	Connection Handover Pending
CI	Cell Identity
CI	Common Interface (standard)
CISS	Call Independent Supplementary Services
CK	Cipher Key
CL	higher layer ConnectionLess channel (protected; see CL <sub>S</sub> and CL <sub>F</sub> )
CLIP	Calling Line Identification Presentation

CLMS	ConnectionLess Message Service
CLRR	Circuit Loudness Rating, Receiving
CLRS	Circuit Loudness Rating, Sending
CLSS	ConnectionLess Supplementary Service
CMC	Connectionless Message Control
C-MMS	Call control part of MMS
CN	Carrier Number
CNIP	Calling Name Identification Presentation
CODEC	COder-DECoder
COMS	Connection Oriented Message Service
C-plane	Control plane
CRC	Cyclic Redundancy Check
CRFP	Cordless Radio Fixed Part
CRSS	Call Related Supplementary Services
CS	Call Status
CSF	Cell Site Function
CSPDN	Circuit Switched Public Data Network
CT2	Cordless Telecommunication 2nd Generation
CTA	Cordless Terminal Adapter
CTS	Clear To Send

NOTE: See Recommendation ITU-T V.24 [i.17].

CX	Co-eXistence standard
DAM	DECT Authentication Module
DBC	Dummy Bearer Control
DBPSK	Differential Binary Phase Shift Keying
DCD	Data Carrier Detect

NOTE: See Recommendation ITU-T V.24 [i.17].

DCDL-net	Distributed Communication DECT Local network
DCK	Derived Cipher Key
DCS	Dynamic Channel Selection
DECT	Digital Enhanced Cordless Telecommunications
DefCK	Default Cipher Key
DES	Data Encryption Standard
DLC	Data Link Control
DLEI	Data Link Endpoint Identifier (DLC layer)
DLI	Data Link Identifier (DLC layer)
DMAP	DECT Multimedia Access Profile
D-MAP	D-field MAP
DNW	DECT NetWork
DPRS	DECT Packet Radio Service

NOTE: See ETSI EN 301 649 [11].

DPSK	Differential Phase Shift Keying
DQPSK	Differential Quaternary Phase Shift Keying
DSAA	DECT Standard Authentication Algorithm
DSAA2	DECT Standard Authentication Algorithm #2
DSC	DECT Standard Cipher (algorithm)
DSC2	DECT Standard Cipher #2 (algorithm)
DTAM	Digital Telephone Answering Machine
DTE	Data Terminal Equipment
DTMF	Dual Tone Multi-Frequency
E type	B-field multiplexer mode when the slot carries signalling only (channels C <sub>F</sub> , G <sub>F</sub> and M)
E/U-mux	B-field multiplexer (switching between E, U or E+U modes)
E+U type	B-field multiplexer mode when the slot carries U-plane data (channel I <sub>PF</sub> ) AND signalling (channels G <sub>F</sub> and M)
ECN	Exchanged Connection Number (DLC/MAC layer)
EIRP	Equivalent Isotropically Radiated Power

EMC	Equipment Manufacturer's Code
ERMES	European Radio MESSaging System
ERP	Ear Reference Point
ERP	Effective Radiated Power
ES	End System
ESC	ESCAPE
FB <sub>N</sub>	Frame Buffer (uNprotected)
FBP	Frame Buffer (Protected)
FCC	Federal Communications Commission
FCS	Frame Check Sequence
FEC	Forward Error Correction
FLEN	Frame LENgth
FMID	Fixed part MAC IDentity
F-MMS	Fixed line-Multimedia Messaging Service
FP	DECT Fixed Part
FREL	Frame RELay service
F-SMS	Fixed line-Short Messaging Service
FSWI	Frame SWITching service
FT	Fixed radio Termination
FU	DECT DLC U-Plane Frame format
GAP	Generic Access Profile
GBN	Go Back N
GFSK	Gaussian Frequency Shift Keying
GMSK	Gaussian Minimum Shift Keying
GNW	Global NetWork
GSM	Global System for Mobile communications
HAN	Home Automation Network
HATS	Head And Torso Simulator
HDB	Home Data Base
HOV	HandOVER flag
HPP	Headset PP
HTTP	Hypertext Transfer Protocol
HyP	Hybrid Part
I	higher layer Information channel (see I <sub>N</sub> and I <sub>p</sub> ) in general
IA5	International Alphabet No. 5 as defined by ITU-T
IE	Information Element
IFEI	International Fixed Equipment Identity
IMS	IP Multimedia Subsystem
IP	Internet Protocol
IPEI	International Portable Equipment Identity
IPII	International Portable User Identity
IPv4	Internet Protocol Version 4
IPv6	Internet Protocol Version 6
IRC	Idle Receiver Control
ISDN	Integrated Services Digital Network
ISM	Industrial, Scientific and Medical
IUT	Implementation Under Test
IV	Initialization Vector
IWF	InterWorking Functions
IWP	Interworking Profile
IWU	InterWorking Unit
K	authentication Key
KS'	FT authentication Session Key
KS	PT authentication Session Key
KSG	Key Stream Generator
KSS	Key Stream Segment
LA	Location Area
LAL	Location Area Level
LAN	Local Area Network
LAPC	DLC layer C-plane protocol entity

LAPM	Link Access Procedure for Modems
NOTE:	See Recommendation ITU-T V.42 [i.16].
LAP-U	Link Access Procedure (U-plane) (a service offered by LU3)
Lb	DLC layer C-plane protocol entity
LBN	Logical Bearer Number
Lc	a DLC layer C-plane protocol entity
LC3	Low Complexity Communication Codec
LCD	Largest Common Denominator
LCE	Link Control Entity
LCN	Logical Connection Number (DLC/MAC layer)
LiA	List Access
LLe	Local echo Loss
LLME	Lower Layer Management Entity
LLN	Logical Link Number (DLC layer)
LNW	Local NetWork
LRMS	Low Rate Messaging Service
LRMS-PTM	Low Rate Messaging Service, Point To Multi-point
LRMS-PTP	Low Rate Messaging Service, Point To Point
LSB	Least Significant Bit
LSTR	Listener SideTone Rating
LT	Lower Tester
LU	DECT DLC U-Plane Service
M	MAC control channel in general (on A-tail or B fields)
M0	RFP channel pre-selection algorithm for ULE
M1	PP channel selection algorithm for ULE
M2	PP collision handling and avoidance algorithm for ULE
MAC (CCM)	Message Authentication Code
MAC	Medium Access Control layer
MAP	bit MAPpings
MBC	Multi-Bearer Control
MCE	Message Control Entity
MCEI	MAC Connection Endpoint Identifier
MCI	MAC Connection Identifier
MCS	Multi-Channel Set
MCS	Modulation and Coding Scheme
MDU	Multiplexed Data Unit
ME	Management Entity
MF	MultiFrame, also Fading Margin
MIC	Message Integrity Code
MM	Mobility Management
MMI	Man-Machine Interface
M-MMS	Messaging part of MMS
MMS	Multimedia Messaging Service
MMSP	Multimedia Messaging Service Protocol
MOD-2	MODulo-2
MRP	Mouth Reference Point
MSB	Most Significant Bit
MSC	Mobile Switching Centre
MUX	time MULTipleXor
NACK	Negative ACKnowledgement
NCF	A header in the B-field E-mux format
NEMo	No Emission Mode
NG-DECT	New Generation DECT
NGN	New Generation Network(s)
NLF	New Link Flag
NLP	Non-Linear Processor
NLR	No Link Required
NR	Normal-Reverse
NTP	Normal Transmitted Power
NWK	NetWorK layer

OID	Other fixed part ID
OLR	Overall Loudness Rating
OSI	Open Systems Interconnection
P	Paging channel
PA	Portable Application
PABX	Private Automatic Branch eXchange
PAD	Packet Assembler/Disassembler
PAP	Public Access Profile
PARI	Primary Access Rights Identity
PARK {y}	PARK with value y for it is Park length indicator
PARK	Portable Access Rights Key
PAS	Public Access Service
PBX	Private Branch eXchange
PCI	Protocol Control Information
PCM	Pulse Code Modulation
PDU	Protocol Data Unit
PH	Physical (layer)
PHL	PHysical Layer
PHS	Portable HandSet
PIN	Personal Identity Number
PLI	Park Length Indicator
PMID	Portable part MAC IDentity (MAC layer)
POT(S)	Plain Old Telephone (Service)
PP	DECT Portable Part
ppm	parts per million
PRA	ISDN Primary Rate Access
PSCN	Primary Scan Carrier Number
PSPDN	Packet Switched Public Data Network
PSTN	Public Switched Telephone Network
PT	Portable radio Termination
PTN	Private Telecommunication Network
PUN	Portable User Number
PUT	Portable User Type
PVC	Permanent Virtual Circuit
PWT	Personal Wireless Telecommunications
Q	system information channel
QAM	Quadrature Amplitude Modulation
Q <sub>C</sub>	Compound System Information Channel of B-field for ULE
QDU	Quantization Distortion Unit
RA	Rate Adaptation
RA	Redundancy check of the A-field
RAM	Random Access Memory
RAND-F	RANDom challenge issued by a FT
RAND-P	RANDom challenge issued by a PT
ReFP	Reference Fixed Part
REP	REpeater Part
RePP	Reference Portable Part
RES1	RESponse calculated by a PT
RES2	RESponse calculated by an FT
RF	Radio Frequency
RFP	Radio Fixed Part
RFPI	Radio Fixed Part Identity
RFR	Ready For Release
RLL	Radio in the Local Loop
RLRH	Receiving Loudness Rating of the Handset
ROM	Read Only Memory
RPN	Radio fixed Part Number
RR	Receive Ready
RS	cryptographic parameter used in the calculation of authentication session keys
RSS	Radio Signal Strength
RSSI	Radio Signal Strength Indicator
RTP	Real-time Transport Protocol

RU	Residential Unit
SAP	Service Access Point
SAPI	Service Access Point Identifier
SAR	Specific Absorption Rate
SARI	Secondary Access Rights Identity
SCK	Static Cipher Key
SDU	Service Data Unit
SEL	SElective
SIM	Subscriber Interface Module
SLRH	Sending Loudness Rating of the Handset
SMS	Short Message Service
SN	Slot Number
SP	Start Position
SPR	Spare Bits
SRAT	Secondary Rate AdaptaTion service
SRFP	Single Radio Fixed Part
SS	Supplementary Services
STMR	SideTone Masking Rating
SUOTA	Software Update Over The Air
TA (bits)	Tail identification bits, a group of bits in the A-field header
TAF	Terminal Adaptation Function
TARI	Tertiary Access Rights Identity
TBC	Traffic Bearer Control
TCL	Telephone Coupling Loss
TCLw	weighted Terminal Coupling Loss
TCP	Transmission Control Protocol
TDD	Time Division Duplex
TDM	Time Division Multiplex
TDMA	Time Division Multiple Access
TELR	Talker's Echo Loudness Rating
TI	Transaction Identifier
T-MUX	Tail MUX
TPUI	Temporary Portable User Identity
TRUP	TRansparent UnProtected service
U type	B-field multiplexer mode when the slot carries U-plane data only (channels I <sub>N</sub> or I <sub>P</sub> )
UAK	User Authentication Key
UCN	U-plane Channel Number
UDP	User Datagram Protocol
ULE	Ultra Low Energy
ULI	Unassigned Link Identifier
ULN	U-plane Link Number
UMTS	Universal Mobile Telecommunication System
U-NEMo	ULE No Emission Mode
UPCS	Unlicensed Personal Communications Service
UPI	User Personal Identification
U-plane	User plane
USB	Universal Serial Bus
VC	Virtual Call
VDB	Visitors Data Base
VF	cable Velocity Factor
W-FT2FT	Wireless FT to FT communication
WIFI	IEEE 802.11 [i.20] family of standards
WLL	Wireless Local loop
WRS	Wireless Relay Station
XRES1	an eXpected RESponse calculated by a FT
XRES2	an eXpected RESponse calculated by a PT
ZAP	ability first to assign and then to re-program the account data held in the PP



---

## 4 Structure

### 4.0 General

The present multi-part deliverable consists of 8 parts (parts 1 (the present document) to 8 [8] inclusive) which are briefly described in clauses 4.1 to 4.8.

ETSI EN 300 175-2 [2] to ETSI EN 300 175-5 [5] specify the air interface. They are structured into layers corresponding to the lower layers of the ISO OSI model. ETSI EN 300 175-6 [6] specifies the identities and addressing structure and ETSI EN 300 175-7 [7] specifies the security features. ETSI EN 300 175-8 [8] specifies speech aspects.

In addition there exists a DECT approval test specification ETSI EN 300 176 [9] which is not described in the present document.

### 4.1 Part 1: Overview

The overview (the present document) contains an introduction to the complete European Standard. It includes a description of the system and the protocol architecture and a vocabulary of terms.

### 4.2 Part 2: Physical Layer (PHL)

The PHL (ETSI EN 300 175-2 [2]) specifies radio parameters such as the frequency, timing and power values, the bit and slot synchronization and the transmitter and receiver performance. ETSI EN 300 175-2 [2] defines a basic 2-level modulation mode (GFSK) plus optional high level modulation modes up to 64 QAM, providing higher capacities.

### 4.3 Part 3: Medium Access Control (MAC) layer

The MAC layer (ETSI EN 300 175-3 [3]) specifies three groups of MAC services. These are the broadcast message control service, the connectionless message control service and the multi-bearer control service. It also specifies the logical channels, which are used by the above-mentioned services, and how they are multiplexed and mapped on to the physical channels.

### 4.4 Part 4: Data Link Control (DLC) layer

The DLC layer (ETSI EN 300 175-4 [4]) specifies two groups of DLC services. These are the services for the C-plane and the services for the U-plane.

For the C-plane a point-to-point service and a broadcast service are defined. The point-to-point service can operate in acknowledged or unacknowledged mode and provides addressing, frame delimiting, error control, flow control, segmentation of network layer information fields, fragmentation of DLC frames and connection handover.

For the U-plane the transparent unprotected service, the frame relay service, the frame switching service and the rate adoption service are defined.

### 4.5 Part 5: Network (NWK) layer

The NWK layer (ETSI EN 300 175-5 [5]) specifies the functions for the link control, the Call Control (CC), the Supplementary Services (SS), the Connection Oriented Message Service (COMS), the ConnectionLess Message Service (CLMS) and the Mobility Management (MM). For these groups it contains the procedures, messages and information elements.

## 4.6 Part 6: Identities and addressing

The identities and addressing (ETSI EN 300 175-6 [6]) specifies the main identities and addresses which are used in DECT. They are divided into the following four categories: FP identities, PP identities, connection related identities and equipment related identities.

Several of the FP identities and PP identities are allocated centrally in order to maintain global uniqueness for these identities.

## 4.7 Part 7: Security features

The security features (ETSI EN 300 175-7 [7]) specify the overall security architecture for DECT, the types of cryptographic algorithms required and the way in which they are to be used, and the requirements for integrating the security features provided by the architecture into the DECT air interface. It also describes how the features may be managed and how they relate to certain DECT fixed systems and local network configurations.

ETSI EN 300 175-7 [7] provides two sets of standard algorithms for authentication and ciphering: the DECT Standard Authentication Algorithm (DSAA), the DECT Standard Ciphering (DSC) the DECT Standard Authentication Algorithm #2 (DSAA2) and the DECT Standard Ciphering #2 (DSC2).

## 4.8 Part 8: Speech and audio coding and transmission

The speech and audio coding and transmission (ETSI EN 300 175-8 [8]) specifies the requirements for DECT equipment which includes all the necessary functions to provide real-time two-way speech conversation or other audio services. It defines the different speech and audio encoding algorithms supported by DECT and the detailed audio performance characteristics of DECT PPs and FPs such as sensitivity, frequency response, sidetone, terminal coupling loss, distortion, variation of gain with input level, out of band signals, noise, acoustic shock, delay and network echo control.

---

# 5 The objectives of the CI standard

The DECT standard has grown out of the need to provide cordless communications, both for voice traffic and for data traffic.

The DECT standard is designed to support this versatility of applications at a cost that encourages wide adoption. DECT provides personal telecommunication services in residential, neighbourhood and business environments. It is particularly targeted at the following applications:

- residential - domestic cordless telephones (PSTN, ISDN and IP access);
- public access services;
- cordless business telephones (PBXs and converged IP based business networks);
- cordless data - Local Area Networks (LANs) and point-to-point connections;
- wireless home networking;
- wireless access to the internet or intranet;
- machine to machine (M2M) or machine to man wireless communication (e.g. sensors, alarms, monitoring and metering devices);
- extensions to cellular radio and extensions of the local public network;
- Radio in the Local Loop (RLL).

The DECT standard supports narrowband (3,1 kHz) audio, wideband audio (7 kHz) , superwideband audio (up to 14 kHz) and fullband audio (up to 20 kHz) with a range of audio codecs and acoustic models as defined in ETSI EN 300 175-8 [8].

The DECT standard supports circuit mode and packed mode data transmission with a maximum data rate of 844,8 kbit/s for 2 level modulation, single transceiver systems and 5,0688 Mbit/s for systems implementing high level modulation (single transceiver). These rates could be multiplied using multiple radio channels in parallel. Refer to ETSI EN 301 649 [11] for description of packet data capabilities in DECT.

The DECT standard supports DECT Ultra Low Energy (ULE). DECT ULE provides packet mode data transmission capabilities with ultra low power composition. DECT CI provides specific features for the supporting of ULE operation modes, including specific messages, services and procedures. Refer to ETSI TS 102 939-1 [i.18] for description of DECT Ultra Low Energy (ULE).

DECT has also been selected by the ITU as one of the radio interfaces for "International Mobile Telecommunications 2000" (IMT-2000) [10]. As DECT is using a combination of frequency and time multiple access the corresponding air-interface is called "IMT-2000 FDMA/TDMA" by the ITU.

Because of different regulatory requirements in the USA, the American National Standards Institute (ANSI) has published (1997) a derivative of the DECT standard as the PWT standard, implementing the required adaptations, especially in the physical layer. However, during 2004 the requirements in the USA were modified, whereby standard DECT equipment may be used with minor modifications in the channel allocation procedures and in RF power setting. (See ETSI TS 102 497 [12] describing modifications differences in DECT standard to meet new UPCS rules.) This will make the PWT standard obsolete. Other requirements relevant for utilization of DECT in USA, e.g. in the UPCS 1 920 MHz to 1 930 MHz and IMS 2,4 GHz are specified in various ETSI DECT standards.

The specific variants for use of DECT in USA market over the UPCS band are specified in ETSI TS 102 497 [12].

One primary objective of this CI standard is to provide a basis for interoperability between equipment of different origin, so offering users a family of telecommunication services for voice or data, either as basic services, or with optional (and compatible) extensions.

While providing for compatibility, the present document provides standard escape routes that allow manufacturers to retain options for innovation and product differentiation (see clause 8). In addition, reserved codes have been included in the present document to provide mechanisms for evolutionary development of the present document. At the same time, the existence of the present document allows implementers to design systems that can provide telecommunications to users in several different locations.

At a more detailed level, the protocols in the present document are designed to provide for the specific services and facilities defined in ETSI ETR 043 [i.5] and Recommendation ITU-R M.816-1 [i.3]. In the design process, the following additional objectives were considered:

- the structure should allow any other reasonable application;
- the structure should allow any reasonable implementation.

Lastly, the present document also has the objective of regulating the use of, and interface of, two shared resources:

- the RF spectrum which is allocated to provide for the cordless operation of the communication system; and
- one or more networks for which the DECT network provides cordless connection.

It is the objective of the present standard to ensure that conforming equipment will be able to use the above resources efficiently and with the minimum degree of mutual interference, i.e. avoiding adverse effects to existing, or future, users of those resources, see also Recommendation ITU-R SM.1046-2 [i.2].

---

## 6 General description of the system

DECT is based on a micro-cellular radio communication system that provides low-power radio (cordless) access between PPs and (DECT) FPs at ranges up to a few hundred metres (up to several kms for fixed access systems). The basic technical characteristics are as follows:

frequency band:	1 880 MHz to 1 980 MHz and 2 010 MHz to 2 025 MHz (see note 1);
number of carriers:	typical 10 (see note 1);
carrier spacing:	1,728 MHz (see note 1);

maximum peak transmit power:	250 mW (see note 1);
carrier multiplex:	TDMA; 12 double slots/24 full slots/48 half slots per frame;
frame length:	10 ms;
basic duplexing:	TDD using 2 slots on same RF carrier;
gross bit rate:	1 152 kbit/s, 2 304 kbit/s, 3 456 kbit/s, 4 608 kbit/s or 6 912 kbit/s for 2-, 4-, 8-, 16- or 64-level modulation respectively (see note 2);
net channel rates:	6,4 kbit/s A-field (control/signalling) per slot.

B-field (traffic) rates per slot are described in table 1.

**Table 1**

Type of modulation	Maximum B-field (traffic) rate per slot					Maximum asymmetric B-field (traffic) data rate (11 double slots)
	half slot (j = 80)	long slot (j = 640)	long slot (j = 672)	full slot	double slot	
2-level modulation	8 kbit/s	64 kbit/s	67,2 kbit/s	32 kbit/s	80 kbit/s	880 kbit/s
4-level modulation	16 kbit/s	128 kbit/s	134,4 kbit/s	64 kbit/s	160 kbit/s	1 760 kbit/s
8-level modulation	24 kbit/s	192 kbit/s	201,6 kbit/s	96 kbit/s	240 kbit/s	2 640 kbit/s
16-level modulation	32 kbit/s	256 kbit/s	268,8 kbit/s	128 kbit/s	320 kbit/s	3 520 kbit/s
64-level modulation	48 kbit/s	384 kbit/s	403,2 kbit/s	192 kbit/s	480 kbit/s	5 280 kbit/s

NOTE 1: The complete definition of frequency bands and carrier positions for DECT are found in ETSI EN 300 175-2 [2]. DECT is a member of the IMT-2000 family [10], the only member that provides for uncoordinated installations on an unlicensed spectrum. The most common spectrum allocation is 1 880 MHz to 1 900 MHz, but outside Europe spectrum is also available in 1 900 MHz to 1 920 MHz and in 1 910 MHz to 1 930 MHz (several countries). Carrier positions in the 902 MHz to 928 MHz and 2 400 MHz to 2 483,5 MHz ISM bands have been defined for the US market. New or modified carrier positions and/or frequency bands can be defined when needed. The number of carriers depends on the frequency spectrum in use and the carrier spacing. Maximum peak transmit power also depends on local regulations or environment requirements.

NOTE 2: Depending on radio capabilities or number of radios used a DECT system can provide higher data rate. The indicated here values are relevant for radios operating on 10 carriers and non-overlapping slots.

A connection is provided by transmitting bursts of data in the defined time slots. These may be used to provide simplex or duplex communications. Duplex operation uses one or several pairs of evenly (5 ms) spaced slots. Of the paired slots one is for transmit and one for receive.

The simplest duplex service uses a single pair of time slots to provide e.g. a 32 kbit/s (2-level modulation) digital information channel capable of carrying coded speech or other low rate digital data. Higher data rates are achieved by using more time slots in the TDMA structure, and a lower data rate may be achieved by using half-slot data bursts. Different uplink and downlink bitrates are realized by using asymmetric connections, where a different number of time slots is used for the uplink and downlink. For efficient transmission of packet data the radio connection can be suspended after the data has been sent and as soon as new data arrives, the radio connection is resumed again.

DECT is able to support a number of alternative system configurations ranging from single cell equipment (e.g. domestic FPs) to large multiple cell installations (e.g. large business cordless PBXs or converged IP based business systems), public pedestrian systems and fixed wireless access (radio local loop) systems.

The protocols are designed to support uncoordinated system installation, even where the systems co-exist in the same physical location. Efficient sharing of the radio spectrum (of the physical channels) is achieved using a careful mechanism for selection of channels prior to their use. This is called dynamic channel selection (see ETSI ETR 310 [i.7]).

In addition, the DECT protocols provide two internal mechanisms to support rapid handover of calls in progress (both intracell and intercell handover are supported). These handover mechanisms allow a high quality of service to be maintained where the mobility of the PP requires transparent re-connection to another FP or where a new physical channel is required in response to disturbances in the radio environment.

Wireless Relay Stations (WRSs) for wireless coverage enhancements, direct communication from PT to PT and wireless communication between FTs is also supported.

DECT is an access technology providing sufficient flexibility for access to various communication networks, e.g. IP, PSTN, ISDN, LAN, GSM, UMTS, etc.

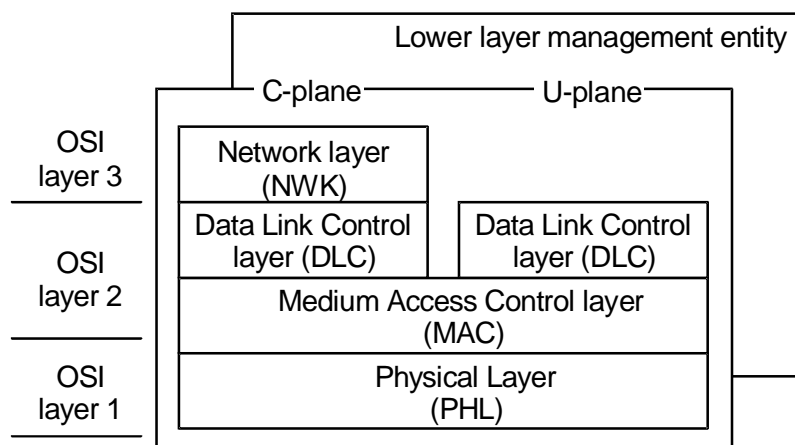
## 7 Description of the protocol architecture

### 7.1 General

The structure of the present document is based on the layered principles used in the ISO Open Systems Interconnection (OSI) model. The complete CI corresponds to the lower 3 layers of the ISO OSI model. In order to take care of the uncertainties introduced by using radio transmissions at the PHL and to include the concept of handover, the layer 2 has been split into two sub-layers. Therefore DECT defines 4 layers of protocol.

### 7.2 The DECT layered structure

A structure of four layers is used for the signalling protocols as shown in figure 1.



**Figure 1: The layered structure**

The top of the NWK layer corresponds to the top of the OSI layer 3. The intermediate boundaries have no OSI equivalent but for ease of understanding an approximate correspondence is given below:

- OSI Layer 1: all of the PHL plus part of MAC layer;
- OSI Layer 2: most of MAC layer plus all of DLC;
- OSI Layer 3: all of the NWK layer.

## 7.3 Physical Layer (PHL)

The PHL (ETSI EN 300 175-2 [2]) divides the radio spectrum into the physical channels. This division occurs in two fixed dimensions, frequency and time.

The frequency and time division uses Time Division Multiple Access (TDMA) operation on multiple RF carriers. Typically ten carriers are provided within the actual frequency band (1 880 MHz to 1 900 MHz is the most common frequency allocation for DECT). The present document also provides for possible extensions of the band to meet future demand. On each carrier the TDMA structure defines 24 full-slots in a 10 ms frame, where each timeslot may be used to transmit oneself contained packet of data. Each transmitted packet contains a synchronization field, together with control information, service information and error control.

NOTE: In addition the radio spectrum is divided spatially into cells, where the same physical channels may be re-used in different (geographic) locations. The spatial re-use operates according to the principles of Dynamic Channel Selection (DCS) as described in ETSI ETR 310 [i.7] dealing with DECT features.

Each radio end point operates according to a timing reference and the PHL is then responsible for transmitting packets of data under direct control of the MAC layer. Adjacent FPs may be synchronized. This provides some advantages, particularly in high traffic situations (see ETSI ETR 310 [i.7]).

## 7.4 MAC layer

The MAC layer (ETSI EN 300 175-3 [3]) performs two main functions. Firstly, it selects physical channels, and then establishes and releases connections on those channels. Secondly, it multiplexes (and demultiplexes) control information, together with higher layer information and error control information, into slot-sized packets.

These functions are used to provide three independent services; a broadcast service, a connection oriented service and a connectionless service.

The broadcast service is a special DECT feature: it multiplexes a range of broadcast information into a reserved field (the A-field), and this field appears as part of all active transmissions. The broadcast service is always transmitted in every cell (even in the absence of user traffic) on at least one physical channel. These "beacon" transmissions allow PPs to quickly identify all FPs that are within range, to select one, and to lock to it without requiring any portable transmissions.

## 7.5 DLC layer

The DLC layer (ETSI EN 300 175-4 [4]) is concerned with the provision of very reliable data links to the NWK layer. Many of the imperfections of the radio transmissions are already removed by the efforts of the MAC layer, and the DLC layer is designed to work closely with the MAC layer to provide higher levels of data integrity than can be provided by the MAC layer alone.

The DECT layered model separates into two planes of operation at the DLC layer; the C-plane and the U-plane.

The C-plane is common to all applications, and provides very reliable links for the transmission of internal control signalling and limited quantities of user information traffic. Full error control is provided with a balanced Link Access Protocol (LAPC).

The U-plane provides a family of alternative services, where each service is optimized to the particular need of a specific type of services. The simplest service is the transparent unprotected service used for speech transmission. Other services support circuit mode and packet mode data transmission, with varying levels of protection.

## 7.6 Network (NWK) layer

The NWK (ETSI EN 300 175-5 [5]) layer is the main signalling layer of the protocol. It adopts a similar style to the ISDN layer 3 protocol (see ETSI EN 300 403-1 [i.1]) and offers a similar level of functions.

The NWK layer operates using an exchange of messages between peer entities. The basic set of messages supports the establishment, maintenance and release of calls. Additional messages support a range of extended capabilities.

The basic CC provides a circuit switched service selected from one of the range of DLC options. Other network layer services are SS, COMS, CLMS and MM. These services are arranged as independent entities, and a particular application can be realized using more than one.

The MM is a particularly important group of services. This group contains the procedures that support the special cordless mobility of PPs, for example authentication and location registration.

## 7.7 Lower Layer Management Entity (LLME)

The LLME contains defined procedures that concern more than one layer. The LLME procedures are included in ETSI EN 300 175-3 [3] to ETSI EN 300 175-5 [5]. Most of these procedures have only local significance, and they are defined in general terms to allow for alternative implementations. The location of some selected LLME procedures is as follows:

MAC layer:

- creation, maintenance and release of bearers, by activating and deactivating pairs of physical channels;
- physical channel management, including the choice of free physical channels and the assessment of the quality of received signals;
- switching between PT and FT mode when direct PT to PT or wireless FT to FT communication is provided.

DLC layer:

- connection management, which includes the establishment and release of connections in response to NWK layer demands;
- routing of C-plane and U-plane data to suitable connections.

NWK layer:

- service negotiation and mapping;
- application parameters (e.g. addresses) and DECT identities resolution.

## 7.8 Interworking Units (IWU)

Transport of the information to the end user requires additional layers of protocol that are outside the scope of the present document. In general, an IWU will be required to provide the necessary interworking functions. This IWU plays an important role in defining the exact service that is provided. Specifications of IWUs defining the interworking between the DECT air interface and various networks and line interfaces can be found in additional DECT profile specifications. A brief overview can be found in ETSI TR 101 178 [i.4].

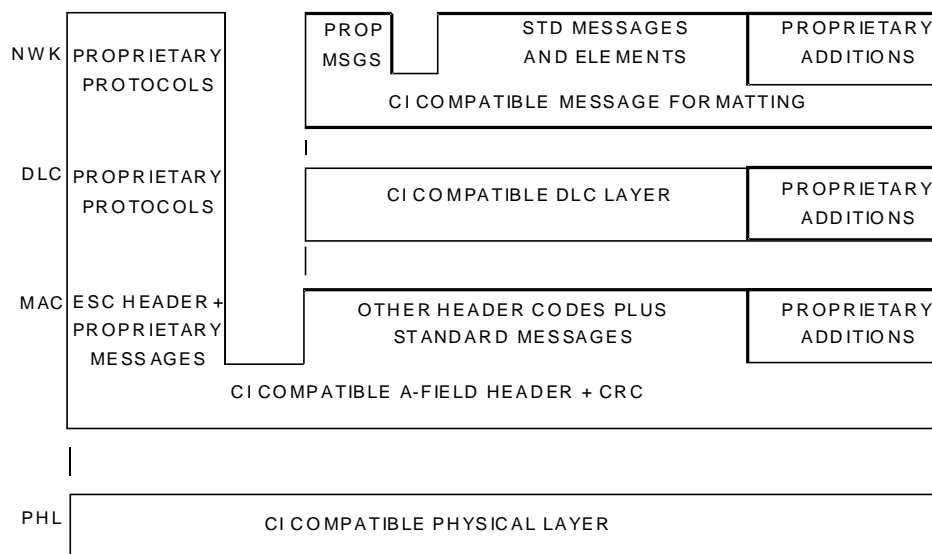
---

# 8 Proprietary escapes within the CI

## 8.0 General

A set of defined escape routes has been provided for implementers that wish to implement proprietary additions or alternatives to the CI protocol, as shown in figure 2.

## 8.1 Primary escape routes



**Figure 2: Structure of escape routes within the CI**

Two primary escape routes are defined within the CI standard, one at the MAC layer and one at the NWK layer. In both cases these escape routes provide the possibility for manufacturers to branch into a family of proprietary protocols. These branches provide a compatible method for proprietary systems to operate without causing confusion or interference to systems that implement the other CI provisions.

The lowest branch occurs at the MAC layer. The branch is defined at this level in order to ensure a minimum level of conformance to the CI. The minimum level of conformance therefore includes all of the PHL and the lower parts of the MAC layer (in particular, the MAC A-field header, A-field CRC and the channel selection procedures).

This MAC branch operates by using one reserved code in the MAC header field (the field that appears at the start of every transmission, see ETSI EN 300 175-3 [3]). All equipment shall understand this reserved code. This reserved code shall be used in every transmission from proprietary equipment and shall never be used by equipment that conforms to the standard branch. This means that transmissions from proprietary systems can be immediately identified by all other equipment.

For approvals testing purposes a small number of standard messages shall be supported by proprietary equipment when operating in a special test mode. No messages are mandated for proprietary equipment in normal operating mode.

At the NWK layer the escape route operates by using a reserved protocol discriminator code. All equipment shall understand this code, it shall be used exclusively by proprietary protocols (other codes are reserved for the standard protocols) to clearly indicate that a proprietary protocol is in use. In this case proprietary protocols can co-exist with standard protocols as part of the same equipment.

## 8.2 Secondary escape routes

In addition to these primary escape routes, a series of secondary escape routes are defined at all layers using reserved codes or optional elements, as appropriate. These small branches allow proprietary information to be included in addition to the CI information. They are designed to allow manufactures to enhance the CI with proprietary features without compromising the basic level of interoperability.



---

## 9 Levels of conformance

The following levels of CI conformance are defined:

- CI-PROFILE-PLUS: ETSI approved CI operating profile(s) with proprietary extensions;
- CI-PROFILE: ETSI approved CI operating profile(s) (e.g. GAP);
- CI-BASE: PHL and minimum MAC conformance.

The CI-Base defines the minimum level of conformance to the CI standard. It does not imply any speech transmission characteristics.

---

## 10 Further development of the DECT standard

### 10.1 IMT-2000

DECT has also been selected by the ITU as one of the radio interfaces for "International Mobile Telecommunications 2000" (IMT-2000) [10]. As DECT is using a combination of frequency and time multiple accesses the corresponding air-interface is called "IMT-2000 FDMA/TDMA" by the ITU.

### 10.2 The DECT Packet Radio Service (DPRS)

The DECT Packet Radio Service (DPRS) [11] provides packet data communications with up to 840 kbit/s (GFSK modulation) or up to 5 Mbit/s (High Level Modulation). DPRS supports multibearer, asymmetric connections, and efficient packet data handling.

The most relevant features of DPRS are the following:

- Channel access time (from suspend state) = 15 ms (first bearer), 25 ms (additional bearers).
- Connection Oriented and Full Mobility Management Procedures (similar to a cellular system).
- Simplified modes for Wireless LAN operation and low data rate applications.
- Dual ARQ architecture with ARQ at MAC and at DLC layer.
- Optional channel encoding (based on Turbo coding) for use with High Level Modulation modes.

### 10.3 DECT in international markets

#### 10.3.0 General

DECT was initially developed as a European standard. It was later adopted by many other countries and today has become a world-wide de-facto standard for cordless telephony applications.

Currently, DECT is available near worldwide (the technology has been adopted in over 110 countries). The United States market was, in practice, opened to DECT by an FCC decision in 2005, and is now one of the most important markets in terms of growing. The introduction of DECT in Japan, the last important market, is currently under discussion with the local regulatory and standardization organizations and the necessary Technical Specification is planned to appear soon.

Because of different regulatory requirements, specific adaptations are needed for use of the technology over some non-European Countries. When this is needed, a specific Technical Specification (TS) covers the national requirements for each specific market.

### 10.3.1 United States of America

In the USA, the American National Standards Institute (ANSI) has published (1997) a derivative of the DECT standard as the PWT standard, implementing the required adaptations, especially in the physical layer. However, during 2004 the requirements in the USA were modified, whereby standard DECT equipment may be used with minor modifications in the channel allocation procedures and in RF power setting. (See ETSI TS 102 497 [12] describing modifications differences in DECT standard to meet new UPCS rules.) This will make the PWT standard obsolete. Other requirements relevant for utilization of DECT in USA, e.g. in the UPCS 1 920 MHz to 1 930 MHz and IMS 2,4 GHz are specified in various ETSI DECT standards.

The specific variants for use of DECT in USA market over the UPCS band are specified in ETSI TS 102 497 [12].

## 10.4 The New Generation DECT (NG-DECT)

New Generation DECT (NG-DECT) is the name given to the further development of the DECT standard performed from 2006 with primary target on VoIP applications. NG-DECT is implemented by the addition of new functions to the DECT base standard (keeping back-compatibility with all previous developments) and the creation of a dedicated set of Application Profiles defining new types of products.

New Generation DECT includes the following new features:

- Superior voice quality better than any existing technology (wideband and super-wideband speech).
- New codecs G.722 [i.21], G.729.1 [i.22] and MPEG-4 [i.23].
- Improved audio models (including acoustic interface) jointly developed with the participation of audio experts.
- Complete set of signalling and procedures for VoIP (SIP [i.24] and H.323 [i.25]) and mixed (base stations with dual PSTN and VoIP connectivity) scenarios supporting features such as multiple lines, multiple calls, call line and name identification, call transfer, conferencing, intrusion call, etc.
- New DECT headset devices (with DECT radio i/f).
- Support of Broadband Data and Audio Streaming.
- Video telephony capability.
- Plug & Play functionality of all components.
- Enhanced security.
- Automatic device detection and configuration (easy pairing).

New Generation DECT specifications started to appear in March 2007, with the publication of an Overview Report (ETSI TR 102 570 [i.10]). The following NG-DECT Technical Specifications have been published:

- ETSI TS 102 527-1 [i.11]: "New Generation DECT; Part 1: Wideband Speech".
- ETSI TS 102 527-2 [i.12]: "New Generation DECT; Part 2: Support of Transparent IP Packet Data".
- ETSI TS 102 527-3 [i.13]: "New Generation DECT; Part 3: Extended wideband speech services".
- ETSI TS 102 527-4 [i.14]: "New Generation DECT; Part 4: Light Data Services; Software Update over the air (SUOTA), content downloading and HTTP based applications".
- ETSI TS 102 527-5 [i.15]: "New Generation DECT; Part 5: Additional feature set nr. 1 for Extended wideband speech services".

## 10.5 DECT Ultra Low Energy (ULE)

DECT Ultra Low Energy (ULE) is a new packet data technology intended for Machine to Machine communications with ultra low power consumption operation. DECT ULE is based in DECT technology; however, it addresses a new application and a completely different market.

DECT ULE is a technology intended for sensors, alarms, machine-to-machine and industrial automation. The DECT ULE technology positioning is an optimal compromise between low energy consumption and medium range. This positioning addresses many application scenarios not covered by any existing technology, since current contenders have either, too much power consumption, limitations for accessing the spectrum, too short range or are not standardized.

Applications such utility meters and related devices are also covered by DECT ULE. Therefore, it is also linked to smart grids.

Due to the reduction of power compared to other technologies it addresses the green agenda with immediate reduction of environmental hazards (i.e. longer duration of batteries).

DECT ULE development has been materialized during years 2012-2014 with the production of the two firsts Technical Specification (TS) (ETSI TS 102 939-1 [i.18] and ETSI TS 102 939-2 [i.19]) and the inclusion of the required functions in the DECT base standard.

The first specification of DECT ULE is the ETSI TS 102 939-1 [i.18] "Digital Enhanced Cordless Telecommunications (DECT); Ultra Low Energy; Machine to Machine Communications; Part 1: Home Automation Network (phase 1)". It covers the base functionality of the technology for different applications in the area of Home Automation.

The second specification of DECT ULE is the ETSI TS 102 939-2 [i.19] "Digital Enhanced Cordless Telecommunications (DECT); Ultra Low Energy; Machine to Machine Communications; Part 2: Home Automation Network (phase 2)". It adds additional services and features for the same Home Automation area, such as support for multicast, support for voice and Software Update Over The Air (SUOTA).

Further specifications for DECT ULE covering additional features or other scenarios will be produced in the future by TC DECT.

From the point of view of DECT standardization, the Technical Specifications for DECT ULE are application profiles (AP) based on the DECT base standard, ETSI EN 300 175, parts 1 (the present document), 2 [2] to 8 to [8].

The base functionality for DECT ULE is available from the release V2.5.1 of the DECT base standard (the previous revision of the present document and others parts of ETSI EN 300 175). This new functionality includes the following specific functionalities:

- MAC/PHY Layer:
  - Unlocked, ultra low duty cycle operation for battery powered Portable Part devices with provisions for Fast Locking to the RFP.
  - Dedicated ULE "dummy" C/L channel using the B-field of regular dummy bearer containing:
    - Aids for fast re-synchronization.
    - General static broadcast information.
    - Channel selection information.
    - Dedicated ULE paging channels.
    - Provision for connectionless downlink channels (in further phases).
  - Ultra-fast "expedited" procedures optimized for ULE and allowing combined transmission of signalling and data packet in the very first frame.
  - Dedicated  $M_T$  messages, specific for the expedited procedures.
  - New paging channels specific for ULE transmitted in the B-field of the dummy bearer, implementing a wide range of modes from fast to ultra-slow paging.
  - Management algorithms for channel selection and handling access collisions.
  - U-plane based on MAC protected service  $I_{PQR}$ .
- DLC Layer:
  - New DLC service LU14 incorporating CCM authenticated encryption over existing service LU10.

- New channel  $G_{FA}$  for DLC control.
- Network (NWK) Layer:
  - Connection Oriented model including CC (Call Control) and MM (Mobility Management) entities.
  - Additional IEs for negotiation of higher layer (application) protocol.
- Security:
  - New authenticated encryption based on CCM operating at DECT DLC layer.
  - Provides simultaneously strong encryption and continuous mutual authentication without the need of running NWK layer transactions.

Examples of DECT ULE devices, covered by ETSI TS 102 939-1 [i.18] (DECT ULE Phase 1) and making use of the ULE base functionality provided by the present document (and others parts of ETSI EN 300 175) are the following:

- Actuator devices:
  - Devices with fast response times (Fixed Part to Portable Part and vice versa) commonly used in for instance Electricity Plugs or Motor Drivers.
- Slow Actuator devices:
  - Devices with relatively fast response times (Fixed Part to Portable Part and vice versa) commonly used in for instance Thermostats.
- Sensor devices:
  - Devices with long sleep times and fast response times from Portable Part to Fixed Part. Typical examples are switches and push buttons, temperature sensors, smoke detectors and motion detectors.

## 10.6 DECT Evolution

DECT Evolution is a mid-term evolution program intended to explore the limits of TDMA/FDMA technology by adding new modulation schemes, channel coding, and reduction of latency. It is implemented as a series of improvements in DECT CI MAC layer (ETSI EN 300 175-3 [3]), Network layer (ETSI EN 300 175-5 [5]) and audio coding and transmission (ETSI EN 300 175-8 [8]). The most relevant features of DECT Evolution are the following:

- Enhanced support of High Level Modulation.
- Introduction of Modulation and Coding Schemes (MCSs).
- New MAC service  $I_N$  with limited delay introducing handover with slot position tolerance.
- Improved procedures for double simplex bearers.
- New Channel List procedures and messages.
- Optimization of some MAC control messages.
- Support of multiple DLC LU instances per call.
- Support of multiple U-plane endpoints per connection.
- Support of combinations of slots and combinations of modulation states in multibearer connections.
- Possibility to add new channel codecs.
- New improved LC3plus [i.26] audio codec for narrowband, wideband, super-wideband and full-band voice services.
- Mesh network operation for IoT applications.

---

## Annex A (informative): Bibliography

- IETF RFC 0791: "Internet protocol".
- IETF RFC 2460: "Internet Protocol, Version 6 (IPv6) Specification".
- Recommendation ITU-T R.140 (1988): "Definitions of essential technical terms in the field of telegraph transmission", definition 6014.
- Recommendation ITU-T X.25: "Interface between Data Terminal Equipment (DTE) and Data Circuit-terminating Equipment (DCE) for terminals operating in the packet mode and connected to public data networks by dedicated circuit".
- Recommendation ITU-T P.10: "Vocabulary for performance, quality of service and quality of experience".

## Annex B (informative): Change history

The following table presents main changes from a published version to the next version (published or to be published).

Subject/Comment	Old	New
The enhancement of the DECT base standard to support higher data rates includes the 16 QAM/64 QAM modulation option and the Channel Coding based on the Turbo Code Principle.	1.6.1	1.7.1
The enhancement of the DECT base standard to support DECT Broadband service and backwards compatible changes for support of DECT access to IP networks (ETSI TS 102 265 [i.8] V1.1.1).	1.7.1	1.8.1
Editorial update, UPCS information added.	1.8.1	1.9.1
New Generation DECT: A major revision of the DECT base standard introducing wideband speech, improved data services, new slot types and other technical enhancements.	1.9.1	2.1.1
Update of symbols and abbreviations list. Editorial review.	2.1.1	2.2.1
Update of definitions, symbols and abbreviations lists.	2.2.1	2.3.1
Update of definitions, symbols and abbreviations lists. Editorial review. Addition of new clauses for IMT-2000, DECT Packet Radio Service (DPRS), DECT in international markets, New Generation DECT and DECT Ultra Low Energy. New authentication and ciphering algorithms DSAA2 and DSC2 based on AES-128.	2.3.1	2.4.1
Introduction of DECT Ultra Low Energy (ULE) phase 1; New advanced connection expedited messages and C/O procedures; New C/L, synchronization and paging procedures; New channel selection algorithms and procedures New MAC channel $G_{FA}$ ; Review of Q1/Q2/BCK bit codings with detailed rules for E-mux and no B-field modes; New LU Services LU13 and LU14; new frame type FU10d; New security procedures based on CCM authenticated encryption and associated algorithm; Implementation guidelines and CK mapping for DSAA2; Editorial review.	2.4.1	2.5.1
Introduction of DECT Ultra Low Energy (ULE) phase 2; New C/L downlink multicast service supporting CCM authenticated encryption; New bits and new bitmaps in ULE downlink dummy bearer; New paging formats; New Service channel supporting CCM authenticated encryption based on IE <<IWU.to-IWU>> transport; DPRS related editorial corrections; Enhanced DLC descriptions; Clarifications in notifications related to lists and capabilities.	2.5.1	2.6.1
Security review: introduction of U-NEMo; technical and editorial review.	2.6.1	2.7.1
Introduction of Modulation and Coding Schemes (MCS). Introduction of multiple instances of DLC LU entities, reduction of latency: new limited delay multibearer service (handover with slot position tolerance), optimization of several MAC messages and procedures, mesh network operation for IoT applications, new LC3plus narrowband, wideband, super-wideband and full-band audio codecs.	2.7.1	2.8.1

## History

<b>Document history</b>		
Edition 1	October 1992	Publication as ETSI ETS 300 175-1 (Historical)
Edition 2	September 1996	Publication as ETSI ETS 300 175-1 (Historical)
V1.4.2	June 1999	Publication
V1.5.1	February 2001	Publication
V1.6.1	January 2002	Publication
V1.7.1	July 2003	Publication
V1.8.1	November 2004	Publication
V1.9.1	September 2005	Publication
V2.1.1	August 2007	Publication
V2.2.1	November 2008	Publication
V2.3.1	June 2010	Publication
V2.4.1	April 2012	Publication
V2.5.1	August 2013	Publication
V2.6.1	July 2015	Publication
V2.7.1	November 2017	Publication
V2.7.7	August 2019	EN Approval Procedure AP 20191128: 2019-08-30 to 2019-11-28