

ETSI TS 132 141 V8.0.0 (2009-01)

Technical Specification

**Digital cellular telecommunications system (Phase 2+);
Universal Mobile Telecommunications System (UMTS);
LTE;
Telecommunication management;
Subscription Management (SuM) architecture
(3GPP TS 32.141 version 8.0.0 Release 8)**



Reference

RTS/TSGS-0532141v800

Keywords

GSM, LTE, UMTS

ETSI

650 Route des Lucioles
F-06921 Sophia Antipolis Cedex - FRANCE

Tel.: +33 4 92 94 42 00 Fax: +33 4 93 65 47 16

Siret N° 348 623 562 00017 - NAF 742 C
Association à but non lucratif enregistrée à la
Sous-Préfecture de Grasse (06) N° 7803/88

Important notice

Individual copies of the present document can be downloaded from:

<http://www.etsi.org>

The present document may be made available in more than one electronic version or in print. In any case of existing or perceived difference in contents between such versions, the reference version is the Portable Document Format (PDF). In case of dispute, the reference shall be the printing on ETSI printers of the PDF version kept on a specific network drive within ETSI Secretariat.

Users of the present document should be aware that the document may be subject to revision or change of status. Information on the current status of this and other ETSI documents is available at

<http://portal.etsi.org/tb/status/status.asp>

If you find errors in the present document, please send your comment to one of the following services:

http://portal.etsi.org/chaicor/ETSI_support.asp

Copyright Notification

No part may be reproduced except as authorized by written permission.
The copyright and the foregoing restriction extend to reproduction in all media.

© European Telecommunications Standards Institute 2009.
All rights reserved.

DECTTM, **PLUGTESTS**TM, **UMTS**TM, **TIPHON**TM, the TIPHON logo and the ETSI logo are Trade Marks of ETSI registered for the benefit of its Members.

3GPPTM is a Trade Mark of ETSI registered for the benefit of its Members and of the 3GPP Organizational Partners.

LTETM is a Trade Mark of ETSI currently being registered

for the benefit of its Members and of the 3GPP Organizational Partners.

GSM[®] and the GSM logo are Trade Marks registered and owned by the GSM Association.

Intellectual Property Rights

IPRs essential or potentially essential to the present document may have been declared to ETSI. The information pertaining to these essential IPRs, if any, is publicly available for **ETSI members and non-members**, and can be found in ETSI SR 000 314: *"Intellectual Property Rights (IPRs); Essential, or potentially Essential, IPRs notified to ETSI in respect of ETSI standards"*, which is available from the ETSI Secretariat. Latest updates are available on the ETSI Web server (<http://webapp.etsi.org/IPR/home.asp>).

Pursuant to the ETSI IPR Policy, no investigation, including IPR searches, has been carried out by ETSI. No guarantee can be given as to the existence of other IPRs not referenced in ETSI SR 000 314 (or the updates on the ETSI Web server) which are, or may be, or may become, essential to the present document.

Foreword

This Technical Specification (TS) has been produced by ETSI 3rd Generation Partnership Project (3GPP).

The present document may refer to technical specifications or reports using their 3GPP identities, UMTS identities or GSM identities. These should be interpreted as being references to the corresponding ETSI deliverables.

The cross reference between GSM, UMTS, 3GPP and ETSI identities can be found under <http://webapp.etsi.org/key/queryform.asp>.

Contents

Intellectual Property Rights	2
Foreword.....	2
Foreword.....	4
Introduction	4
1 Scope	5
2 References	5
3 Definitions and abbreviations.....	5
3.1 Definitions	5
3.2 Abbreviations	6
4 Subscription Management (SuM) architecture.....	6
4.1 Functional entities	7
4.2 Interfaces	8
4.2.1 Application of Itf-N for SuM.....	8
4.2.2 Relationship of SuM to GUP	8
4.3 Overview of IRP.....	8
4.3.1 IRP security	9
4.4 Methodology	9
4.4.1 SuM Stage 1.....	9
4.4.2 SuM Stage 2.....	9
4.4.3 SuM Stage 3.....	10
Annex A (informative): Relationship of SuM to GUP reference architecture.....	11
A.1 Relationship of Itf-N to GUP Rp reference point.....	11
Annex B (informative): Change history	12
History	13

Foreword

This Technical Specification has been produced by the 3rd Generation Partnership Project (3GPP).

The contents of the present document are subject to continuing work within the TSG and may change following formal TSG approval. Should the TSG modify the contents of the present document, it will be re-released by the TSG with an identifying change of release date and an increase in version number as follows:

Version x.y.z

where:

- x the first digit:
 - 1 presented to TSG for information;
 - 2 presented to TSG for approval;
 - 3 or greater indicates TSG approved document under change control.
- y the second digit is incremented for all changes of substance, i.e. technical enhancements, corrections, updates, etc.
- z the third digit is incremented when editorial only changes have been incorporated in the document.

Introduction

The present document is part a TS-family covering the 3rd Generation Partnership Project; Technical Specification Group Services and System Aspects; Telecommunication management, as identified below:

- TS 32.140: "Subscription Management (SuM) requirements".
- TS 32.141: "Subscription Management (SuM) architecture".**
- TS 32.171: "Subscription Management (SuM) Network Resource Model (NRM) Integration Reference Point (IRP): Requirements".
- TS 32.172: "Subscription Management (SuM) Network Resource Model (NRM) Integration Reference Point (IRP): Information Service (IS)".
- TS 32.175: "Subscription Management (SuM) Network Resource Model (NRM) Integration Reference Point (IRP): eXtensible Markup Language (XML) definition".

The 3G environment requires more complex service delivery mechanisms and is no longer simply an internal matter for a single operator but a capability that is achieved by linking together features across multiple service providers and operators. Subscription Management (SuM) is a feature that permits Service Providers, Value Added Service Providers, and Mobile Operators to provision services for a specific subscriber. The feature is necessary to allow service providers and operators to provision, control, monitor and bill the configuration of services that they offer to their subscribers.

For further details see 3GPP TS 32.140 [5] on SuM requirements that gives an overview of SuM.

1 Scope

The present document defines the architecture for Subscription Management (SuM).

2 References

The following documents contain provisions which, through reference in this text, constitute provisions of the present document.

- References are either specific (identified by date of publication, edition number, version number, etc.) or non-specific.
- For a specific reference, subsequent revisions do not apply.
- For a non-specific reference, the latest version applies. In the case of a reference to a 3GPP document (including a GSM document), a non-specific reference implicitly refers to the latest version of that document *in the same Release as the present document*.

- [1] 3GPP TR 21.905: "Vocabulary for 3GPP Specifications".
 - [2] 3GPP TS 23.002: "Network Architecture".
 - [3] 3GPP TS 32.101: "Telecommunication management; Principles and high level requirements".
 - [4] 3GPP TS 32.102: "Telecommunication management; Architecture".
 - [5] 3GPP TS 32.140: "Telecommunication management; Subscription Management (SuM) requirements".
 - [6] 3GPP TS 23.008: "Organization of subscriber data".
 - [7] 3GPP TS 22.240: "Service requirements for the 3GPP Generic User Profile (GUP); Stage 1".
 - [8] 3GPP TS 23.240: "3GPP Generic User Profile (GUP) requirements; Architecture (Stage 2)".
-

3 Definitions and abbreviations

3.1 Definitions

For the purposes of the present document, the following terms and definitions apply:

subscriber: See 3GPP TR 21.905 [1].

service: See 3GPP TR 21.905 [1].

Integration Reference Point (IRP): See 3GPP TS 32.101 [3].

user: See 3GPP TR 21.905 [1].

subscription: See 3GPP TR 21.905 [1].

Subscription Management (SuM): See 3GPP TR 32.140 [5].

Subscription Profile: See 3GPP TR 32.140 [5].

Subscription Profile Component: See 3GPP TR 32.140 [5].

3.2 Abbreviations

For the purposes of the present document, the following abbreviations apply:

2G	Second Generation Mobile
3G	Third Generation Mobile
API	Application Programming Interface
ASP	Application Service Provider
AuC	Authentication Center
B2B	Business to Business
CS	Circuit Switch
EIR	Equipment Identity Register
GTT	Global Text Telephony
GUP	Generic User Profile
HE	Home Environment
HLR	Home Location Register
HSS	Home Subscriber Server
IMS	IP Multimedia Subsystem
IRP	Integration Reference Point (3GPP TS 32.102 [4])
ISP	Internet Service Provider
NPDB	Number Portability Data Base
NRM	Network Resource Model
OAM	Operations, Administration and Maintenance
OSA	Open Services Access
OSF	Operations System Functions
OSS	Operations Support System
PS	Packet Switch
SLA	Service Level Agreement
SP	Service Provider
SuM	Subscription Management
TMN	Telecommunication Management Network
TR-IRP	Trading Partner IRP
UICC	Universal Integrated Circuit Card
USIM	Universal Subscriber Identity Module
VASP	Value Added Service Provider
VHE	Virtual Home Environment
VNO	Virtual Network Operator

4 Subscription Management (SuM) architecture

3G Telecommunication Management focuses on the most important and strategic contexts in the physical architecture for the management of UMTS. The framework to help define a telecom management physical architecture for a planned UMTS and to adopt standards and provide products that are easy to integrate is defined in 3GPP TS 32.102 [4].

SuM manages Subscription Profile Components stored in network resources for the purpose of providing services to specific subscribers. This is done with an architecture that is consistent with the one specified in 3GPP TS 32.102 [4].

Subscription Profiles represent services and are associated to subscribers that employ these services (3GPP TS 32.140 [5]). To the extent the HSS controls certain services, Subscription Profile Components can be associated with the HSS. Other services, and as a result Subscription Profiles Components, are outside the jurisdiction of the HSS.

4.1 Functional entities

Functional entities belonging to SuM are described in Figure 1. The figure also contains the actors related to Subscriptions.

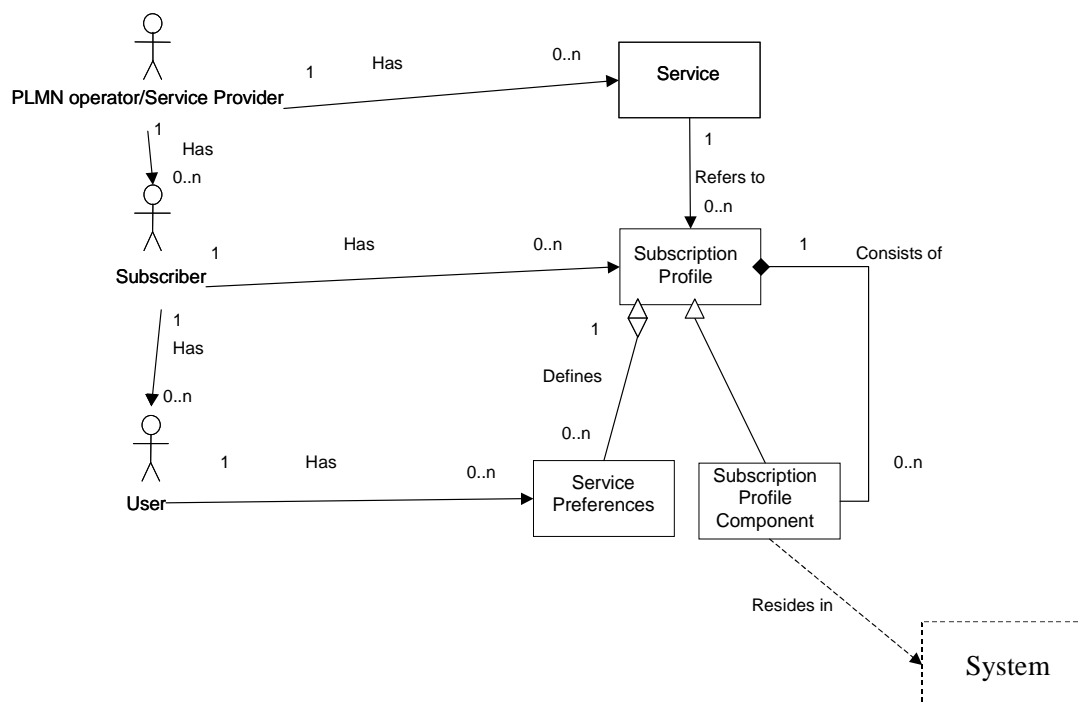


Figure 1: Functional entities in SUM

Actors described in Figure 1 are:

- **Subscriber** (definition See TS 21.905)
- **User** (definition See TS 21.905)
- **Service Provider** (definition See TS 21.905)
- **PLMN Operator** (definition See TS 21.905)

The entities described in Figure 1 are:

- **Subscription Profile** (definition See TS 32.140)
- **Subscription Profile Component** (definition See TS 32.140)
- **Service** (definition See TS 21.905)
- **System** (definition See TS 32.102)
- **Service Preferences**: Contains the service preferences chosen for a user. Each user configures his preferences for a particular subscribed service, but only within the limits defined by the Subscription.

Clarifications to the figure:

- A PLMN Operator/Service Provider has one or several Services to offer for Subscribers.
- A Subscriber has one or several Subscription Profiles, where each describes an offered Service.
- A User has one or several Service Preferences, where each describes the user's chosen preferences for the service.
- A Subscription Profile may consist of one or several Subscription Profile Components.

- A Subscription Profile may define one or several Service Preferences.
- A Subscription Profile Component resides in one or several systems

4.2 Interfaces

4.2.1 Application of Itf-N for SuM

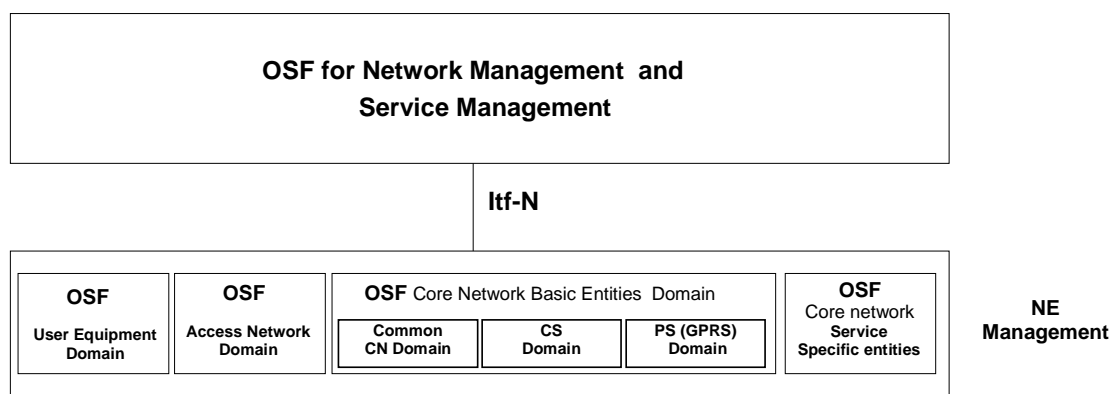


Figure 2: Overview of PLMN Telecom Management Domains and Itf-N (3GPP TS 32.102 [4])

The Itf-N for SuM is realized by means of an Integration Reference Point (IRP) as defined in 3GPP TS 32.102 [4].

Operations System Functions (OSF) functionality can be realized in NEs or in the NE Management systems. SuM, for this release, is concerned with the OSF functionality contained in the Core Network Basic Entities Domain and specifically that of the Common CN Domain. Subscription Profile Components are located in the NEs OSF's within the Common CN Domain or their NEs OSF's in the NE management systems, and are in either case accessed consistent with the IRP concept. SuM OSF's for Network Management and Service Management are located in network- and service management systems.

4.2.2 Relationship of SuM to GUP

SuM IRP Solution Sets may re-use GUP stage 3 where possible. For this purpose, an interpretation of the relationship of Itf-N realisation (for SuM) to the GUP reference architecture is explained in Annex A of this specification.

4.3 Overview of IRP

Figures 3 and 4 identify system contexts of the IRP in terms of its implementation, called IRPAgent (3GPP TS 32.102 [4]), and the user of the IRPAgent, called IRPManager (3GPP TS 32.102 [4]).

The IRPAgent implements and supports this (SuM) IRP. The IRPAgent can reside in an Element Manager (EM) or a Network Element (NE) (3GPP TS 32.102 [4]). In the former case, the interface (represented by a thick dotted line) between the EM and the NEs is not the subject of this SuM-IRP.

An IRPManager using this SuM-IRP shall choose one of the two System Contexts defined here, for each NE. For instance, if an EM is responsible for managing a number of NEs, the NM shall access this IRP through the EM and not directly to those NEs.

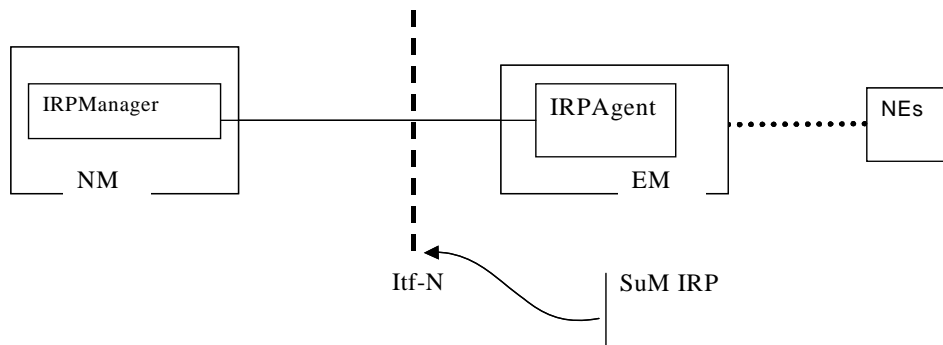


Figure 3: System Context

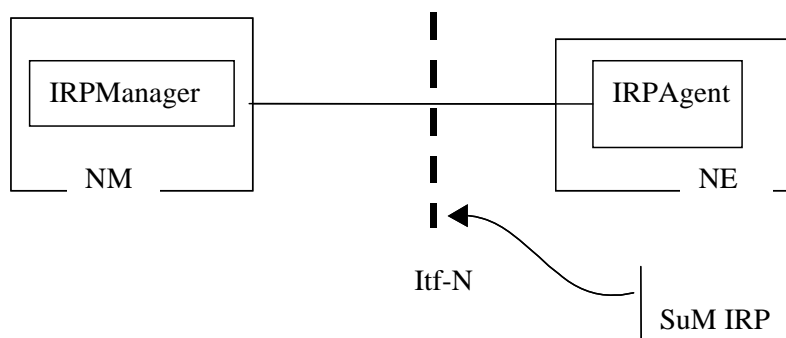


Figure 4: System Context B

4.3.1 IRP security

The IRP interface is made secure by controlling access to the network and management systems. Operations processes must insure that only authorized personnel have the access authority to retrieve and alter SuM data. Standard protocols used over the interface between the IRPManager and the IRPAgent provide some degree of security. The exact nature of the security is described in the Solution Set for that protocol. In addition to the requirement that the IRPManager and the IRPAgent be secure, most physical links between them are secured as well.

4.4 Methodology

The methodology used to conclude the standard work for SuM shall follow the IRP methodology described in 3GPP TS 32.102 [4]. This subclause describes how to apply that methodology.

4.4.1 SuM Stage 1

SuM Stage 1 is documented in 3GPP TS 32.140 [5].

4.4.2 SuM Stage 2

SuM Stage 2 is documented as follows:

- a) The present document (3GPP TS 32.141) is finalized by identifying the relevant IRPs.
- b) 3GPP TS 32.171 describes the Requirements for the NRM IRP – containing the Information Object Classes (IOCs), attributes, relations etc. for SuM.
3GPP TS 32.171 shall, where applicable, follow the structure from 3GPP TS 32.621 (Configuration Management (CM); Generic network resources Integration Reference Point (IRP): requirements).
- c) 3GPP TS 32.172 describes the Information Service for the Network Resource Model (NRM) IRP – containing the Information Object Classes (IOCs), attributes, relations etc. for SuM.
3GPP TS 32.172 shall, where applicable, follow the structure from 3GPP TS 32.622 (Configuration

Management (CM); Generic network resources Integration Reference Point (IRP): Network Resource Model (NRM)).

4.4.3 SuM Stage 3

SuM Stage 3 is documented in the following documents:

- TS 32.173 SuM NRM IRP: XXX Solution Set.

Annex A (informative): Relationship of SuM to GUP reference architecture

A.1 Relationship of Itf-N to GUP Rp reference point

Figure A.1 illustrates the GUP architecture as defined in 3GPP TS 23.240 [8].

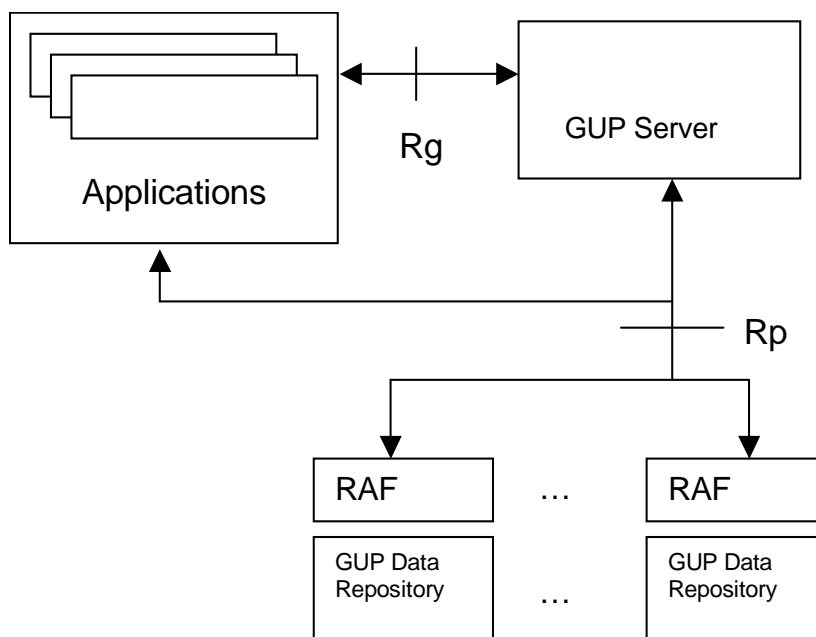


Figure A.1: GUP Reference architecture

The Rp reference point of the GUP reference architecture is developed in such a way as to be compatible with the IRP concept. In the GUP reference architecture, the RAF and GUP Data Repository functionality can be viewed as providing the functionality of the NE OSF's and may be located in the NEs or the NE Management Systems. The Applications provide the Network Management/Service Management OSFs functionality and are located in the network- and service management systems.

Annex B (informative): Change history

Change history							
Date	TSG #	TSG Doc.	CR	Rev	Subject/Comment	Old	New
Mar 2003	SA_19	SP-030042	--	--	Submitted to SA#19 as v1.0.0 for Information	1.0.0	--
Sep 2003	SA_21	SP-030405	--	--	Submitted to SA#21 as v2.0.0 for Approval	2.0.0	6.0.0
Mar 2004	SA_23	SP-040108	0001	--	Subscription Management TS-family (32.14x and 32.17x) title alignment ("SM" becomes "SuM" and delete "Services operations management")	6.0.0	6.1.0
Jun 2007	SA_36	--	--	--	Automatic upgrade to Rel-7 (no CR) at freeze of Rel-7.	6.1.0	7.0.0
Dec 2008	SA_42	--	--	--	Upgrade to Release 8	7.0.0	8.0.0

History

Document history		
V8.0.0	January 2009	Publication