

# ETSI TS 102 490 V1.7.1 (2013-02)



Technical Specification

**Electromagnetic compatibility  
and Radio spectrum Matters (ERM);  
Peer-to-Peer Digital Private Mobile Radio using FDMA  
with a channel spacing of 6,25 kHz with e.r.p. of up to 500 mW**

---

Reference

RTS/ERM-TGDMR-306

---

Keywords

air interface, digital, FDMA, PMR, protocol, radio

**ETSI**

650 Route des Lucioles  
F-06921 Sophia Antipolis Cedex - FRANCE

Tel.: +33 4 92 94 42 00 Fax: +33 4 93 65 47 16

Siret N° 348 623 562 00017 - NAF 742 C  
Association à but non lucratif enregistrée à la  
Sous-Préfecture de Grasse (06) N° 7803/88

---

**Important notice**

Individual copies of the present document can be downloaded from:

<http://www.etsi.org>

The present document may be made available in more than one electronic version or in print. In any case of existing or perceived difference in contents between such versions, the reference version is the Portable Document Format (PDF). In case of dispute, the reference shall be the printing on ETSI printers of the PDF version kept on a specific network drive within ETSI Secretariat.

Users of the present document should be aware that the document may be subject to revision or change of status. Information on the current status of this and other ETSI documents is available at

<http://portal.etsi.org/tb/status/status.asp>

If you find errors in the present document, please send your comment to one of the following services:

[http://portal.etsi.org/chaicor/ETSI\\_support.asp](http://portal.etsi.org/chaicor/ETSI_support.asp)

---

**Copyright Notification**

No part may be reproduced except as authorized by written permission.  
The copyright and the foregoing restriction extend to reproduction in all media.

© European Telecommunications Standards Institute 2013.  
All rights reserved.

DECT™, PLUGTESTS™, UMTS™ and the ETSI logo are Trade Marks of ETSI registered for the benefit of its Members.  
3GPP™ and LTE™ are Trade Marks of ETSI registered for the benefit of its Members and  
of the 3GPP Organizational Partners.  
GSM® and the GSM logo are Trade Marks registered and owned by the GSM Association.

# Contents

Intellectual Property Rights .....	6
Foreword.....	6
1 Scope .....	7
2 References .....	7
2.1 Normative references .....	7
2.2 Informative references.....	7
3 Definitions, symbols and abbreviations .....	8
3.1 Definitions.....	8
3.2 Symbols.....	9
3.3 Abbreviations .....	9
4 Overview .....	10
4.1 Protocol architecture.....	11
4.1.1 Air Interface Physical Layer (layer 1).....	11
4.1.2 Air Interface Data Link Layer (layer 2).....	12
4.1.3 Air Interface Call Control Layer (layer 3) .....	12
4.2 FDMA Structure.....	12
4.2.1 Overview of the transmission structure .....	12
4.2.2 Transmission format .....	13
4.2.3 Transmission sequences.....	13
5 Frame coding.....	16
5.1 Superframe .....	16
5.2 Header frame .....	17
5.3 End frame .....	17
5.4 Packet data header.....	17
5.5 ACK frame .....	18
5.6 Frame numbering .....	19
5.7 Communication mode .....	19
5.8 Communication format.....	19
5.9 SLD format.....	19
5.9.1 Slow data in the voice superframe .....	19
5.9.2 Slow data field use with Type 1 or 2 data.....	20
5.10 Call information .....	21
5.10.1 Call Information for powersave .....	21
5.10.2 Call Information for Types 1 and 2 data.....	21
5.10.3 Call Information for Type 3 (packet) data .....	22
5.10.4 Call Information for system transactions .....	23
5.10.5 Call Information for acknowledgements.....	23
5.11 Header type .....	23
5.12 End type .....	24
5.13 ARQ .....	24
5.14 Tx Wait.....	24
5.15 Status .....	25
5.16 Version [V].....	25
6 Synchronization.....	25
6.1 Frame synchronization .....	25
6.1.1 FS1.....	25
6.1.2 FS2.....	25
6.1.3 FS3.....	26
6.1.4 FS4.....	26
6.1.5 Channel code .....	26
6.1.6 Preamble .....	27
7 Interleaving and FEC coding.....	28

7.1	Di-bit coding .....	28
7.2	CRC addition.....	28
7.3	Hamming code .....	28
7.4	Scrambling .....	28
7.5	Interleaving.....	29
7.6	FEC coding of CCH (superframe).....	30
7.7	FEC coding of HI (header information) .....	30
7.8	FEC coding of END information .....	31
8	Bearer services, tele-services and supplementary services .....	31
8.1	Initial mode .....	31
8.1.1	Initial addressing.....	31
8.1.1.1	Common ID.....	31
8.1.1.2	Fixed part of address .....	32
8.1.2	ISF channel codes .....	32
8.2	Configured mode.....	32
8.2.1	Call types .....	33
8.2.1.1	Individual call .....	33
8.2.1.2	Group call.....	33
8.2.2	Addressing .....	33
8.2.3	CSF channel codes.....	33
8.3	Packet data.....	33
8.3.1	Format.....	33
8.3.2	Receiving party .....	34
8.3.3	Packet frame coding.....	34
8.3.4	Data frame size .....	35
8.3.5	Valid data length.....	35
8.3.6	Data checksum.....	35
9	Channel coding process.....	36
9.1	Voice superframe .....	37
9.2	Type 1 data superframe .....	40
9.3	Type 2 Data superframe .....	42
9.4	Type 3 (Packet) Data frame.....	43
9.5	Headers.....	45
9.6	End frames.....	46
10	Channel access .....	47
10.1	Listen Before Transmit (LBT).....	47
10.2	Hang time messages and timers .....	48
10.2.1	Definition.....	48
10.2.2	Action by receiving stations.....	48
10.2.3	Break-in requests .....	48
10.3	Call duration timers .....	48
10.4	Transmit admit criteria .....	48
10.4.1	General admit criteria .....	48
10.4.2	ISF admit criteria .....	49
10.4.3	CSF admit criteria.....	49
10.5	Transmission re-tries .....	49
10.6	Channel access timers and constants .....	49
10.6.1	Timers.....	49
10.6.2	Constants .....	50
11	Powersave.....	50
11.1	Transmitted format .....	50
11.2	Receive format .....	51
12	Physical Layer .....	51
12.1	General parameters.....	51
12.1.1	Frequency range.....	51
12.1.2	RF carrier bandwidth .....	51
12.1.3	Transmit frequency error .....	51
12.1.4	Time base clock drift error.....	51
12.2	Modulation .....	51

12.2.1	Symbols .....	51
12.2.2	4FSK generation .....	52
12.2.2.1	Deviation index .....	52
12.2.2.2	Square root raised cosine filter .....	53
12.2.2.3	4FSK Modulator .....	54
<b>Annex A (normative): Standard User Interface for CSF radios.....</b>		<b>55</b>
A.1	Numbering and dialling plan .....	55
A.1.1	Introduction to the numbering and dialling plan .....	55
A.2	Subscriber mapping .....	56
A.2.1	User Interface - Air Interface .....	56
A.2.1.1	Mapping for MS address space .....	57
A.2.1.1.1	The concept of the wildcard character .....	57
A.2.1.1.2	The concept of stored parameters.....	57
A.2.1.1.3	The concept of ad-hoc arrangement .....	57
A.2.1.1.4	The rules for the sender.....	57
A.2.1.1.5	The rules for the recipient .....	58
A.2.1.1.6	Mapping of dialled strings to the AI address space.....	58
A.2.1.1.6.1	Mapping of numeric dialled strings to the AI address space .....	58
A.2.2	Addresses .....	59
A.2.3	Conversion rules .....	59
A.2.3.1	MS addresses .....	59
A.2.3.2	Limiting the length of the destination address .....	60
A.2.3.3	All talkgroup address .....	60
A.3	User dialling plan .....	60
A.3.1	User numbering .....	60
A.3.1.1	Dialling method .....	60
A.3.1.2	Call Type determination .....	60
A.3.1.3	Call modifier strings .....	61
A.3.2	Dialled digits to address mapping .....	61
A.3.3	Storage requirements .....	61
A.3.3.1	MS individual address .....	61
A.3.3.2	Dialled Talkgroups .....	62
A.3.3.3	All MSs.....	62
A.3.3.4	Non-dialable numbers.....	62
A.3.3.5	Talkgroup recognition.....	62
A.3.3.5.1	All numeric talkgroups.....	62
A.3.3.5.2	Talkgroups defined by wildcards .....	62
A.3.3.5.3	MS receives a talkgroup call .....	63
A.3.4	Dialling procedures .....	63
A.3.4.1	MS calls .....	63
A.3.4.1.1	Seven digit dialling .....	63
A.3.4.1.2	Abbreviated dialling.....	63
A.3.4.1.3	Masked dialling.....	64
A.3.4.2	Call modifiers .....	64
A.3.4.2.1	Broadcast call.....	65
A.3.4.2.2	Status call .....	65
A.3.4.2.3	Force talkgroup service .....	65
A.3.4.3	Call set-up abandon or call complete.....	65
History .....		66

---

## Intellectual Property Rights

IPRs essential or potentially essential to the present document may have been declared to ETSI. The information pertaining to these essential IPRs, if any, is publicly available for **ETSI members and non-members**, and can be found in ETSI SR 000 314: "*Intellectual Property Rights (IPRs); Essential, or potentially Essential, IPRs notified to ETSI in respect of ETSI standards*", which is available from the ETSI Secretariat. Latest updates are available on the ETSI Web server (<http://ipr.etsi.org>).

Pursuant to the ETSI IPR Policy, no investigation, including IPR searches, has been carried out by ETSI. No guarantee can be given as to the existence of other IPRs not referenced in ETSI SR 000 314 (or the updates on the ETSI Web server) which are, or may be, or may become, essential to the present document.

---

## Foreword

This Technical Specification (TS) has been produced by ETSI Technical Committee Electromagnetic compatibility and Radio spectrum Matters (ERM).

---

# 1 Scope

The present document covers digital private mobile radio equipment operating in peer-to-peer mode only.

The equipment is based on FDMA with channel spacing of 6,25 kHz supporting voice and data applications.

It covers only hand portable equipment complying with EN 301 166-2 [1] and having an integral antenna.

This equipment is for use:

- i) In accordance with ECC/DEC/(05)12 [i.1] on harmonized frequencies, technical characteristics, exemption from individual licensing and free carriage and use of digital PMR 446 applications operating in the frequency band 446,100 MHz to 446,200 MHz.

NOTE 1: The technical requirements for Digital PMR 446 included in ECC/DEC/(05)12 [2] are: operation in the frequency range 446,100 MHz to 446,200 MHz, maximum e.r.p. of 500 mW, and a maximum transmitter time-out-time of 180 seconds.

- ii) In the frequency band 149,01875 MHz to 149,11875 MHz under exemption from individual licensing.

NOTE 2: These requirements are: maximum e.r.p. of 500 mW, and a maximum transmitter time-out-time of 180 seconds.

---

# 2 References

References are either specific (identified by date of publication and/or edition number or version number) or non-specific. For specific references, only the cited version applies. For non-specific references, the latest version of the reference document (including any amendments) applies.

Referenced documents which are not found to be publicly available in the expected location might be found at <http://docbox.etsi.org/Reference>.

NOTE: While any hyperlinks included in this clause were valid at the time of publication ETSI cannot guarantee their long term validity.

## 2.1 Normative references

The following referenced documents are necessary for the application of the present document.

- [1] ETSI EN 301 166-2: "Electromagnetic compatibility and Radio spectrum Matters (ERM); Land Mobile Service; Radio equipment for analogue and/or digital communication (speech and/or data) and operating on narrow band channels and having an antenna connector; Part 2: Harmonized EN covering essential requirements of article 3.2 of the R&TTE Directive".
- [2] Void.
- [3] ETSI ETS 300 230: "Radio Equipment and Systems (RES); Land mobile service; Binary Interchange of Information and Signalling (BIIS) at 1200 bit/s (BIIS 1 200)".
- [4] MPT 1327 (June 1997): "A Signalling Standard for Trunked Private Land Mobile Radio Systems".

## 2.2 Informative references

The following referenced documents are not necessary for the application of the present document but they assist the user with regard to a particular subject area.

- [i.1] CEPT ECC/DEC/(05)12: "ECC Decision of 28 October 2005 on harmonized frequencies, technical characteristics, exemption from individual licensing and free carriage and use of digital PMR 446 applications operating in the frequency band 446.1-446.2 MHz".

---

## 3 Definitions, symbols and abbreviations

### 3.1 Definitions

For the purposes of the present document, the following terms and definitions apply:

**bearer service:** type of telecommunication service that provides the capability for the information transfer between user network interfaces, involving only low layer functions (layers 1 to 3 of the OSI model)

NOTE: Confirmed Data and Unconfirmed Data are examples of bearer services.

**burst:** short duration RF signal that may cause interference to a dPMR transmission item

**call:** complete sequence of related transactions between radios

NOTE: Transactions may be one or more items containing specific call related information.

**Configured Services and Facilities (CSF):** those functions available in the radio after re-programming

**Control plane (C-plane):** part of the protocol stack dedicated to control and data services

**feature:** attribute intrinsic to a station, e.g. MS has an address

**Handportable Station (HS):** physical grouping that contains all of the mobile equipment that is used to obtain dPMR mobile services and operating with an integral antenna

**initial services and facilities:** those functions available in the radio at point of sale (out-of-the box functions)

**late entry:** where receiving stations that have missed the start of a transmission are able to recover all information about the call from data that is interspersed within each superframe

**logical channel:** distinct data path between logical endpoints

**payload:** bits in the information field

**peer-to-peer mode:** mode of operation where radios may communicate outside the control of a network

NOTE: This is communication technique where any radio unit may communicate with one or more other radio units without the need for any additional equipment (e.g. BS).

**personalization:** address and configuration information that characterizes a particular dPMR HS

NOTE: This information may be implanted by the installer before putting an HS into service.

**physical channel:** FDMA transmission

**polite protocol:** Listen Before Transmit (LBT) protocol

NOTE: This is a medium access protocol that implements a LBT function in order to ensure that the channel is free before transmitting.

**prefix:** most significant digit of a HS address in the user domain

**Protocol Data Unit (PDU):** unit of information consisting of protocol control information (signalling) and possibly user data exchanged between peer protocol layer entities

**radio frequency channel:** radio frequency carrier (RF carrier)

NOTE: This is a specified portion of the RF spectrum. The RF carrier separation is 6,25 kHz.

**Received Signal Strength Indication (RSSI):** root mean squared value of the signal received at the receiver antenna

**signalling:** exchange of information specifically concerned with the establishment and control of connections, and with management, in a telecommunication network



**simplex:** mode of working by which information can be transferred in both directions but not at the same time

NOTE: Simplex is also known as half duplex.

**superframe:** four concatenated FDMA frames

NOTE: A superframe has a length of 320 ms.

**supplementary service:** supplementary service modifies or supplements a tele-service or bearer service

NOTE: Consequently, it cannot be offered to a user as a standalone service. It is offered together with or in association with a tele-service or bearer service. The same supplementary service may be common to a number of telecommunication services. Late entry is an example of supplementary service.

**telecommunication service:** offered by a dPMR entity in order to satisfy a specific telecommunication requirement

**tele-service:** type of telecommunication service that provides the complete capability, including terminal equipment functions, for communication between users

NOTE: Individual voice calls and group voice calls are examples of tele-services.

**user numbering:** decimal representation of dPMR air interface addresses, as seen by the user, i.e. user visible numbering

**User plane (U-plane):** part of the protocol stack dedicated to user voice services

**vocoder socket:** 216 bits vocoder payload

**wildcard:** character in the user domain that represents all digits 0 to 9

## 3.2 Symbols

For the purposes of the present document, the following symbols apply:

$B_2$	algorithm that converts HS dialable talkgroup addresses between the User Interface and the Air Interface
dBm	absolute power level relative to 1 mW, expressed in dB
dBp	power relative to the average power transmitted during an item in deciBel
Eb	Energy per bit
No	Noise per Hz

## 3.3 Abbreviations

For the purposes of the present document, the following abbreviations apply:

4FSK	Four-level Frequency Shift Keying
ACK	ACKnowledgment
AI	Air Interface
ARQ	Automatic Retransmission reQuest
CC	Channel Code
CCH	Control CHannel
CCL	Call Control Layer
CI	Call Information
CM	Communications Mode
Cont	Continuation flag
C-plane	Control-plane
CRC	Cyclic Redundancy Checksum for data error detection
CRC-D	Cyclic Redundancy Check - Data field
CSF	Configured Services and Facilities
CTCSS	Continuous Tone Carrier Squelch System
Di-bit	2 bits grouped together to represent a 4-level symbol
DLL	Data Link Layer
DP	Data Position

dPMR	digital Private Mobile Radio
e.r.p.	effective radiated power
ESN	Electronic Serial Number
ET	End Type
FDMA	Frequency Division Multiple Access
FEC	Forward Error Correction
FN	Frame Numbering
FS	Frame Sync
FSK	Frequency Shift Keying
HI	Header Information
HS	Handportable Station
HSs	Handheld Station
HT	Header Type
ID	IDentifier
IP	Internet Protocol
ISF	Initial Services and Facilities
LBT	Listen Before Transmit
MFID	Manufacturer's FID
MMI	Man Machine Interface
MS	Mobile Station
MSB	Most Significant Bit
NACK	Negative ACKnowledgment
OACSU	Off Air Call Set Up
OSI	Open System Interconnection
PAR	Parameter data
PDF	Packet Data Format
pDM	Number of packet data frames
PDU	Protocol Data Unit
PL	Physical Layer
PMR	Private Mobile Radio
PTT	Push-To-Talk
RF	Radio Frequency
RSSI	Received Signal Strength Indication
SF	SuperFrame
SLD	SLOw Data
SYNC	SYNChronization
TBD	To Be Done
TCH	Traffic CHannel
U-plane	User-plane

---

## 4 Overview

The present document describes a narrow band Digital Private Mobile Radio system which employs a Frequency Division Multiple Access (FDMA) technology with an RF carrier bandwidth of 6,25 kHz.

The present document describes the Physical Layer (PL) and the Data Link Layer (DLL) of the Air Interface (AI) as well as the standardized services and facilities of the radio. Radio equipments which conform to the present document shall be interoperable at the PL and DLL with equipment from other manufacturers.

The present document describes 2 levels of functionality (services and facilities) that can be offered by the equipment. For the purposes of interoperability, a basic level of services and facilities (ISF) is defined along with a simplified mode of addressing such that all radios will be capable of interoperating without the need for any set-up or programming at the point of sale. An advanced level of services and facilities (CSF) is also defined for those equipments that can be re-programmed to offer a higher level of functionality.

Where manufacturers have declared compliance to the "Standard User Interface" for CSF radios, the MMI shall also comply with the relevant requirements of annex A.

The present document does not provide the specification or operational detail for system implementations which include but are not limited to, vocoder, security, data, and other interfaces.

## 4.1 Protocol architecture

The purpose of this clause is to provide a model where the different functions and processes are identified and allocated to different layers in the protocol stack.

The protocol stack in this clause and all other related clauses describe and specify the interfaces, but this stack does not imply or restrict any implementation.

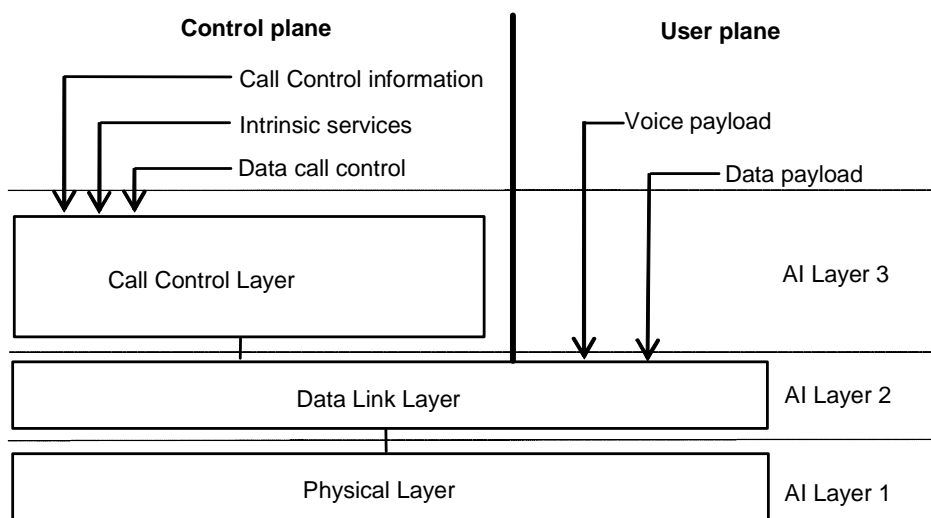
The protocol architecture which is defined herein follows the generic layered structure, which is accepted for reference description and specification of layered communication architectures.

The standard defines the protocols for the following 3 layered model as shown in figure 1.

The base of the protocol stack is the Physical Layer (PL) which is the layer 1.

The Data Link Layer (DLL), which is the layer 2, shall handle sharing of the medium by a number of users. At the DLL, the protocol stack shall be divided vertically into two parts, the User plane (U-plane), for transporting information without addressing capability (e.g. voice or data stream), and the Control plane (C-plane) for signalling with addressing capability, as illustrated by figure 1.

The Call Control Layer (CCL), which is layer 3, lies in the C-plane and is responsible for control of the call (addressing, facilities, etc.), provides the services supported by the radio, and supports the Data Service. U-plane access at layer 2 (DLL) supports voice service.



**Figure 1: Protocol stack**

### 4.1.1 Air Interface Physical Layer (layer 1)

The Air Interface layer 1 shall be the physical interface. It shall deal with the physical transmission, composed of bits, which is to be sent and/or received. The Physical Layer is described in clause 12. The Air Interface layer 1 shall contain the following functions:

- modulation and demodulation;
- transmitter and receiver switching;
- RF characteristics;
- bits and symbol definition;
- frequency and symbol synchronization;
- transmission item building.

## 4.1.2 Air Interface Data Link Layer (layer 2)

The Air Interface layer 2 shall handle logical connections and shall hide the physical medium from the upper layers. The Data Link Layer is described in clauses 7 to 10.

The main functions are as follows:

- channel coding (FEC, CRC);
- interleaving, de-interleaving and bit ordering;
- acknowledgement and retry mechanism;
- media access control and channel management;
- framing, superframe building and synchronization;
- transmission and parameter definition;
- link addressing (source and/or destination);
- interfacing of voice applications (vocoder data) with the PL;
- data bearer services;
- exchanging signalling and/or user data with the CCL.

## 4.1.3 Air Interface Call Control Layer (layer 3)

Air Interface layer 3 (CCL) is applicable only to the C-plane, and shall be an entity for the services and facilities supported by the radio on top of the layer 2 functionality.

The CCL provides the following functions:

- establishing, maintaining and terminating of calls;
- individual or group call transmission and reception;
- destination addressing;
- support of intrinsic services (late entry, call divert, etc.);
- data call control.

## 4.2 FDMA Structure

### 4.2.1 Overview of the transmission structure

The described solution is based on a FDMA structure.

All transmissions are asynchronous, since there is no entity to provide frame or slot timing.

The physical resource available to the radio system is an allocation of the radio spectrum.

A transmission item is a period of RF carrier that is modulated by a data stream. The physical channel of an FDMA transmission is required to support the logical channels.

A logical channel is defined as a logical communication pathway between two or more parties. The logical channels represent the interface between the protocol and the radio subsystem. The logical channels may be separated into two categories:

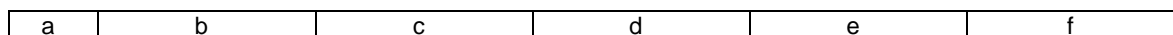
- the traffic channels carrying speech or data information; and

- control channels carrying signalling.

## 4.2.2 Transmission format

The FDMA transmission is made up of 80 ms payload frames, each comprising 384 bits.

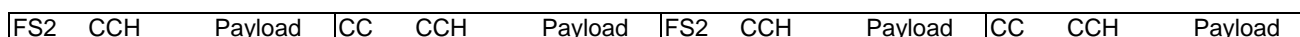
Payload frame:



- a: 24 bits FrameSync2 (FS2) or ChannelCode (CC) bits  
 b: 72 bits Control Channel (CCH) data  
 c: 72 bits Traffic channel (TCH)  
 d: 72 bits TCH  
 e: 72 bits TCH  
 f: 72 bits TCH

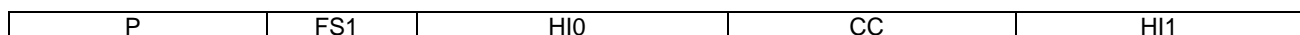
Four 80 ms payload frames are concatenated to form a superframe of 320 ms.

Superframe:



The Header frame is of 80 ms (384 bits) in length.

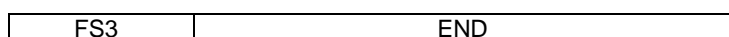
Header:



- P: Preamble, minimum of 72 bits  
 FS1: 48 bit Frame Sync 1 sequence  
 HI0: Header Information 0, 120 bits  
 CC: Channel Code, 24 bits  
 HI1: Header Information 1, 120 bits

The End message is a shortened 96 bit frame.

End:



- FS3: Frame sync, 24 bits  
 END: End data, 72 bits

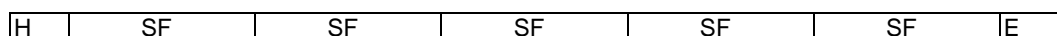
NOTE: Type 3 data transmissions (packet data) use a different framing structure.

## 4.2.3 Transmission sequences

### Voice or data payload continuous transmission:

These transmissions are always started with a Header frame containing a preamble (for bit synchronization) and a frame synch (for frame synchronization). The Header is followed by a series of Superframes that contain both the payload (voice or data) and the information about the call such that receiving stations can implement late entry. A call always consists of an integral number of superframes and is terminated by an End frame.

For receiving stations, purpose and content of any transmission can be determined by the Header Information (HI0 and HI1).



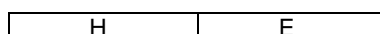
H: Header frame

SF: Superframe

E: End frame

#### Call set up, service request, etc.:

These transmissions are simply a concatenation of a Header frame and an End frame. Their purpose is to inform the receiving station of the call, type of call or information required.

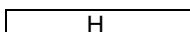


These transmissions may be sent manually by CSF as a kind of "polling call" to check if the called party is listening on the same channel.

These transmissions may be sent automatically by CSF radios as the 1<sup>st</sup> part of an OACSU sequence or for initiating an individual data call.

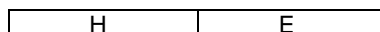
#### Acknowledgement:

Acknowledgements are a type of Header that contains information such as confirmation of received data, errors in received data, etc. Only applicable to CSF radios.



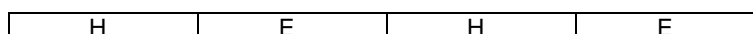
#### Status request acknowledgements:

As the status information is contained within the End frame then the response of a receiving station to a status request call will be a Header + End frame pair. Only applicable to CSF radios.



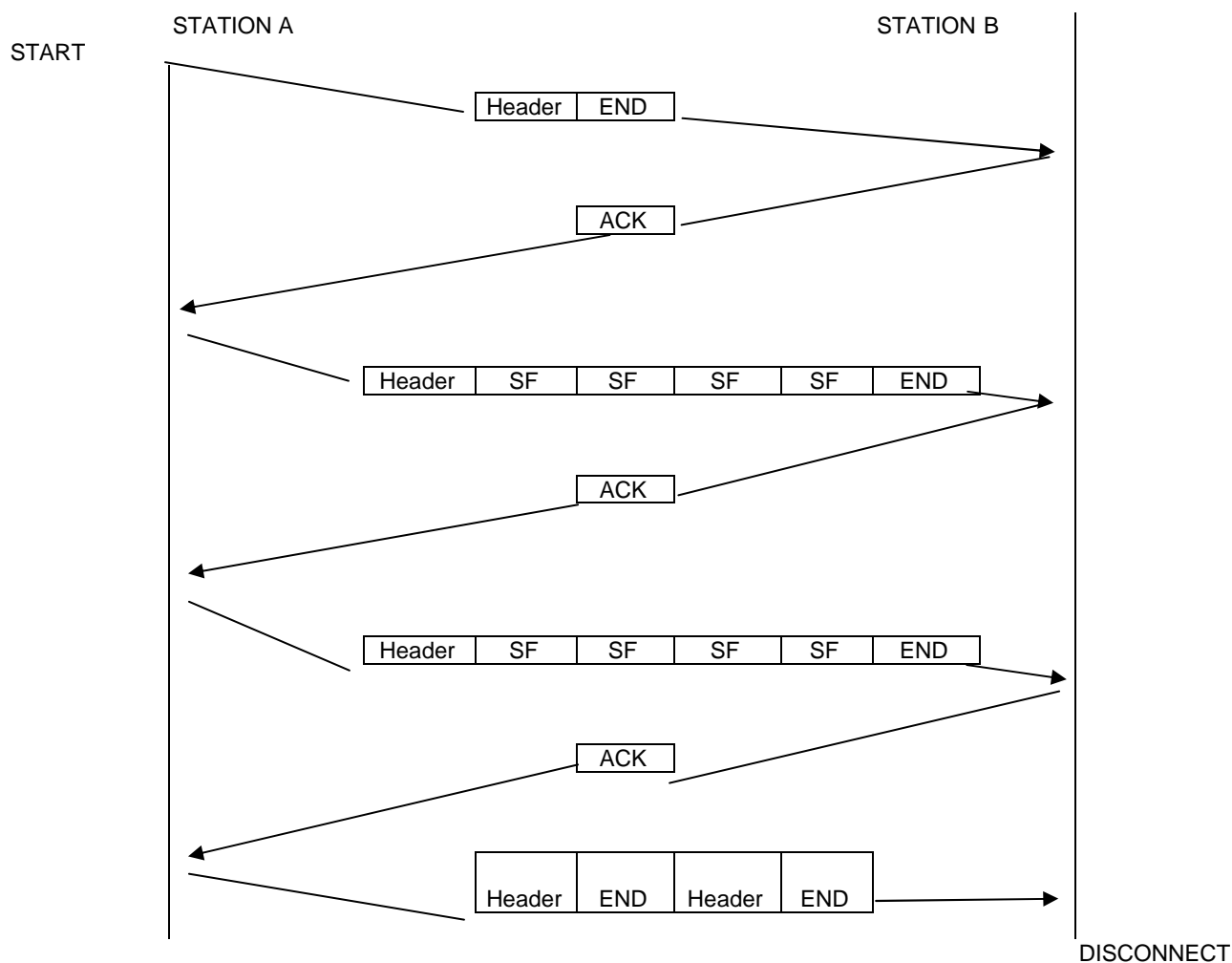
#### Disconnection:

Sending stations can signal that all exchanges of a call have been completed by transmitting a disconnection request. This is a Header + End frame pair that is repeated.



These transmissions may be sent manually as confirmation to the called party that the communication is complete.

These transmissions may be sent automatically by CSF radios to the called party to indicate that an individual data call is completed.



**Figure 2: Individual data call exchanges - CSF radios**

Figure 2 shows an example of the exchanges involved in the call set-up and exchanges of an individual data call.

In this case the sending station uses the call set-up (Header and End frames) to establish that the receiving station is within range and not busy. When the receiving station has acknowledged with an ACK the sending station commences to send the data in transmissions using 4 superframes. After each item the receiving station decodes and error checks the data and if there are no errors a positive ACK is sent. If errors are detected then a negative ACK would be sent and the sending station would repeat that transmission. When all the data has been transmitted and positively acknowledged the sending station sends a disconnect request to show that the transaction is complete.

## 5 Frame coding

### 5.1 Superframe

**Table 5.1a: Superframe content, payload frame 1**

		FRAME 1	Bits	FEC	Transfer	Rate
FS2		Frame Sync	24	None	24	
CCH	FN	Frame Number	2	Clause 7.6	72	25 bps
	ID0	Called ID (upper 12 bits)	12			38 bps
	M	Communications mode	3			38 bps
	V	Version	2			
	F	Comms format	2			50 bps
	RES	Reserved	2			25 bps
	SLD	Slow Data	18			225 bps
TCH		Payload	72 × 4		288	

**Table 5.1b: Superframe content, payload frame 2**

		FRAME 2	Bits	FEC	Transfer	Rate
CC		Channel Code	12	Di-bit	24	
CCH	FN	Frame Number	2	Clause 7.6	72	25 bps
	ID1	Called ID (lower 12 bits)	12			38 bps
	M	Communications mode	3			38 bps
	V	Version	2			
	F	Comms format	2			50 bps
	RES	Reserved	2			25 bps
	SLD	Slow Data	18			225 bps
TCH		Payload	72 × 4		288	

**Table 5.1c: Superframe content, payload frame 3**

		FRAME 3	Bits	FEC	Transfer	Rate
FS2		Frame Sync	24	None	24	
CCH	FN	Frame Number	2	Clause 7.6	72	25 bps
	ID2	Own ID (upper 12 bits)	12			38 bps
	M	Communications mode	3			38 bps
	V	Version	2			
	F	Comms format	2			50 bps
	RES	Reserved	2			25 bps
	SLD	Slow Data	18			225 bps
TCH		Payload	72 × 4		288	

**Table 5.1d: Superframe content, payload frame 4**

		FRAME 2	Bits	FEC	Transfer	Rate
CC		Channel Code	12	Di-bit	24	
CCH	FN	Frame Number	2	Clause 7.6	72	25 bps
	ID1	Called ID (lower 12 bits)	12			38 bps
	M	Communications mode	3			38 bps
	V	Version	2			
	F	Comms format	2			50 bps
	RES	Reserved	2			25 bps
	SLD	Slow Data	18			225 bps
TCH		Payload	72 × 4		288	



## 5.2 Header frame

**Table 5.2: Header frame content**

			Bits	FEC	Transfer
P		Preamble	$\geq 72$	none	72
FS1		Frame Sync	48	none	48
HI0	HT	Header type	4	Clause 7.7	120
	ID0+1	Called station ID	24		
	ID2+3	Own ID	24		
	M	Communication mode	3		
	V	Version	2		
	F	Comms format	2		
	RES	Reserved	2		
CI	Call Information	11			
CC		Channel Code	12	Di-bit	24
HI1	HT	Header type	4	Clause 7.7	120
	ID0+1	Called station ID	24		
	ID2+3	Own ID	24		
	M	Communication mode	3		
	V	Version	2		
	F	Comms format	2		
	RES	Reserved	2		
CI	Call Information	11			

## 5.3 End frame

**Table 5.3: End frame content**

			Bits	FEC	Transfer
FS3		Frame Sync	24	none	24
END0	ET	End type	2	Clause 7.8	72
	ARQ	Ack request	2		
	WAIT	Tx wait	4		
	STAT	Status message	5		
	RES	Reserved	4		
END1	ET	End type	2	Clause 7.8	
	ARQ	Ack request	2		
	WAIT	Tx wait	4		
	STAT	Status message	5		
	RES	Reserved	4		

## 5.4 Packet data header

The packet data header is slightly different to the normal header. It also has to signify that the framing and coding structure following is of a different format. This is signalled to receiving stations by the use of a different synchronization sequence in exactly the same way as in ETS 300 230 [3] for example. However, for receiving stations, the purpose and content of any transmission can be determined by the Header Information (HI0 and HI1).

**Table 5.4: Packet data header frame content**

			<b>Bits</b>	<b>FEC</b>	<b>Transfer</b>
P		Preamble	≥ 72	none	72
FS4		Frame Sync	48	none	48
HI0	HT	Header type	4	Clause 7.7	120
	ID0+1	Called station ID	24		
	ID2+3	Own ID	24		
	M	Communication mode	3		
	V	Version	2		
	F	Comms format	2		
	RES	Reserved	2		
	CI	Call Information	11		
CC		Channel Code	12	Di-bit	24
HI1	HT	Header type	4	Clause 7.7	120
	ID0+1	Called station ID	24		
	ID2+3	Own ID	24		
	M	Communication mode	3		
	V	Version	2		
	F	Comms format	2		
	RES	Reserved	2		
		CI	Call Information		

## 5.5 ACK frame

The ACK frame has identical composition to the Header Frame. It is identified as an acknowledgement by the Header Type (HT) bits setting. The use of ACK frames is applicable only to individually addressed calls. They therefore only apply to CSF radios.

**Table 5.5: Ack frame content**

			<b>Bits</b>	<b>FEC</b>	<b>Transfer</b>
P		Preamble	≥ 72	none	72
FS1		Frame Sync	48	none	48
HI0	HT	Header type	4	Clause 7.7	120
	ID0+1	Called station ID	24		
	ID2+3	Own ID	24		
	M	Communication mode	3		
	V	Version	2		
	F	Comms format	2		
	RES	Reserved	2		
		CI	Call Information		
CC		Channel Code	12	Di-bit	24
HI1	HT	Header type	4	Clause 7.7	120
	ID0+1	Called station ID	24		
	ID2+3	Own ID	24		
	M	Communication mode	3		
	V	Version	2		
	F	Comms format	2		
	RES	Reserved	2		
		CI	Call Information		

## 5.6 Frame numbering

Frame used This is the FN field in the payload frames.

Data length 2 bits.

Two bits are allocated for frame numbering within each superframe.

**Table 5.6: Frame numbering**

00	1 <sup>st</sup> frame
01	2 <sup>nd</sup> frame
10	3 <sup>rd</sup> frame
11	4 <sup>th</sup> frame

## 5.7 Communication mode

Frame used This is the M field in the Header Frame/Packet data Header Frame/Comm Frame.

Data length 3 bits.

**Table 5.7: Communications mode**

000	Voice communication (no user data in SLD field)
001	Voice + slow data (user data in SLD field)
010	Data communication type 1 (Payload is user data without FEC)
011	Data communication type 2 (Payload is user data with FEC)
100	Data communication type 3 (Packet data, ARQ method)
101	Voice and appended data (Type 2)
Other	Reserved

## 5.8 Communication format

Frame used This is the F field in the Header Frame/Packet data Header Frame/Comm Frame.

**Table 5.8: Communication format**

0000	Call ALL (Broadcast)
0001	Peer-to-peer communication
0010	Reserved
0011	Reserved

## 5.9 SLD format

Within the superframe there are 18 bits allocated in the CCH data for each frame for the transmission of slow data. Within the 18 bit allocation there are 2 flag bits and 16 bits of data.

Additionally, the SLD field is used during Type 1 and 2 data transmissions to indicate the type of data being transmitted as well as a flag to indicate if the data terminates after the current frame.

### 5.9.1 Slow data in the voice superframe

This is the normal use of the slow data field and 2 bytes of user data can be included within each frame of the voice superframe.

In this case the communication mode is set to 001 (clause 5.7).

Each byte of user data is preceded by a continuation flag (Cont.) to inform the receiving party if the subsequent byte is the last.

Cont.	User data	Cont.	User data
1 bit	8 bits	1 bit	8 bits

Continuation Flag:

0	User data continues after the following byte.
1	User data is terminated by the following byte.

## 5.9.2 Slow data field use with Type 1 or 2 data

When Type 1 or 2 data is transmitted, the SLD field is used to convey information of data format, position and continuation, etc. The SLD field is also used when a voice transmission has data appended to the end of the transmission.

Reserved	DP	Format	Cont.	Data length (bytes)
5 bits	2 bits	4 bits	1 bit	6 bits

Data Position (DP):

**Table 5.9a: DP coding**

00	There is no data in this frame
01	Reserved
10	Reserved
11	There is data in this frame

Format:

**Table 5.9b: Format coding**

0000	Status message
0001	Precoded message
0010	Free text message (radio generated data)
0011	Short file transfer
0100	User defined data 1
0101	User defined data 2
0110	User defined data 3
0111	User defined data 4
Other	Reserved

Continuation flag:

0	Data continues after this frame.
1	Data finishes at this frame.

## 5.10 Call information

Frame used This is the CI field in the Header Frame/Packet Data Header Frame/ACK.

Data length 11 bits.

11 bits of the Header frame are allocated for Call Information (CI) data, three bits indicate the type of data and 8 bits contain the information:

CI Type	CI Information
3 bits	8 bits

Call Information is used to give supplementary data about the call. It has different content and purpose depending on the call type. The table below outline the various uses of call information and the related clauses that define that use.

Use	Purpose	Clause
Powersave	Indicate normal or extended header type	5.10.1
T1 or T2 Data	Indicate the type of data (supplementary service)	5.10.2
T3 Data (Packet)	Indicate data frame size and number of frames	5.10.3
Acknowledgements	Indicate ACK or NACK and reason	5.10.5
System request System response Delivery Header	CI Type defines the purpose CI Information is not used and set to 0000 0000	5.10.4

### 5.10.1 Call Information for powersave

CI Type (3 bits):

CI Type	Definition
111	Extended wake-up Header
Other value	Normal Header type

If the extended wake-up Header is used then the last 4 information bits will show how many Headers frames follow the current one (i.e. counting down to zero).

**Table 5.10a: CI Information for powersave**

Other	Reserved
0000 1111	Extended Header frame 15
----- ↓ -----	-----
0000 0001	Extended Header frame 1
0000 0000	Normal header frame

### 5.10.2 Call Information for Types 1 and 2 data

Data communications (types 1 and 2):

CI Type	CI Information	
	Format	Reserved
001	4 bits	4 bits

Reserved bits are set to 0000.

Format:

**Table 5.10b: Format coding**

0000	Status message
0001	Precoded message
0010	Free text message (radio generated data)
0011	Short file transfer
0100	User defined data 1
0101	User defined data 2
0110	User defined data 3
0111	User defined data 4
Other	Reserved

### 5.10.3 Call Information for Type 3 (packet) data

Information bits for Packet data format (Type 3):

CI Type	CI Information	
	011	pdS Frame Size
	4 bits	4 bits

Data frame size (pdS):

Frame used      Packet Data Frame (PDF).

**Table 5.10c: Packet data frame sizes (pdS)**

pdS	Frame time (ms)	Data size bits
0	80	288
1	160	672
2	240	1 056
3	320	1 440
Other	Reserved	Reserved

Number of transmitted frames (pdM):

**Table 5.10d: Packet data frame number (pdM)**

pdM	Number of Data frames
0	1 frame
1	2 frames
2	3 frames
3	4 frames
4	5 frames
5	6 frames
6	7 frames
7	8 frames
Other	Reserved

## 5.10.4 Call Information for system transactions

System request/answer/delivery header:

**Table 5.10e: Header types**

CI Type	Definition
000	Reserved
001	Dynamic group request/answer/delivery
010	Reserved
011	Reserved
100	ESN request/reply
101	MFID request/reply
110	Contact station address (via Interconnect, IP)
111	Reserved

CI Info.	Definition
0000 0000	All bits set to zero (the data size is indicated in the CCH SLD field)

## 5.10.5 Call Information for acknowledgements

Acknowledgement:

**Table 5.10f: Acknowledgement types**

CI Type	Definition
000	Reserved
001	ACK (Rx OK)
010	NACK (data error, resend request)
011	NACK (request denied)
Other	Reserved

CI Info	Definition
0	Reserved
1 to 255	ACK / NACK status (rejection reason defined by user)

## 5.11 Header type

Frame used This is the HT field in the Header Frame/Packet Data Header Frame.

Data length 4 bits.

**Table 5.11: Header type**

0000	Communication start header (a superframe follows)
0001	Connection request header (an END frame follows)
0010	Unconnect request header (an END frame follows)
0011	ACK (this a single frame, ACK or NACK is differentiated by the CI bits setting)
0100	System request header (an END frame follows)
0101	ACK header reply to a system request (a superframe follows)
0110	System delivery header (a superframe follows)
0111	Status response header (an END frame follows)
1000	Status request header
Other	Reserved

## 5.12 End type

Frame used This is the ET field in the END Frame.

Data length 2 bits.

Definition:

**Table 5.12: End type**

00	Normal end frame
01	End frame with status message
10	Reserved
11	Reserved

## 5.13 ARQ

Frame used This is the ARQ field in the END Frame.

Data length 2 bits.

Definition:

**Table 5.13: ARQ**

00	No ACK request to called station
01	ACK request to called station
10	Reserved
11	Reserved

## 5.14 Tx Wait

Frame used This is the WAIT field in the END Frame.

Data length 4 bits.

Definition:

The Tx wait time will be implemented by the called station(s) such that other radios that have a break-in request pre-keyed by the user may transmit during the specified time.

**Table 5.14: Tx wait time**

0000	No specified time
0001	40 ms (half a frame)
0010	80 ms (one frame)
0011	160 ms (two frames)
0100	320 ms (one superframe)
Other	Reserved



## 5.15 Status

Frame used This is the STAT field in the END Frame.

Data length 5 bits.

Definition:

0 to 31	Status message
---------	----------------

## 5.16 Version [V]

The version [V] field illustrated in table 5.15 is transmitted in certain frames to indicate if a message is standard content compliant with the present document.

**Table 5.15: Version**

Alias	Length	Value	Meaning
V	2	00 <sub>2</sub>	Standard TS102 490 content
		01 <sub>2</sub>	TBD
		10 <sub>2</sub>	TBD
		11 <sub>2</sub>	Manufacturer Specific

---

# 6 Synchronization

## 6.1 Frame synchronization

### 6.1.1 FS1

The Frame sync 1 sequence contained in the non packet data header frame (Header 1) is a 48 bit sequence that shall have the following value:

Binary: 01010111111111101011111011101011101010101110111.

Hex: 57 FF 5F 75 D5 77.

### 6.1.2 FS2

The Frame sync 2 sequence contained in the superframe (frames 1 and 3) is a 24 bit sequence that shall have the following value:

Binary: 01011111111011101111101.

Hex: 5F F7 7D.

### 6.1.3 FS3

The Frame sync 3 sequence contained in the End frame is a 24 bit sequence that shall have the following value:

Binary: 01111101110111111110101.

Hex: 7D DF F5.

### 6.1.4 FS4

The Frame sync 4 sequence contained in the Packet Data header frame (Header 2) is a 48 bit sequence that shall have the following value:

Binary: 1111110101010101111101011101111011111011111111011101.

Hex: FD 55 F5 DF 7F DD.

### 6.1.5 Channel code

The Channel Code contained in the superframe (frames 2 and 4) and the header frame is a 12 bit code that is di-bit encoded into a 24 bit sequence.

Channel Codes are attributed directly to the RF operating channel and are not freely selectable.

For the purposes of interoperability and to differentiate the different modes of addressing used, radios employing Initial Services and Facilities shall use the Group A channel codes only and radios employing Configured Services and Facilities shall use the Group B channel codes only.

**Table 6.1: Channel code by RF channel**

Group	Channel Frequency	Channel Code (Bit)	Channel Code (Hex)
A	446,103125	010101110111010101110111	577577
	446,109375	010101111101110101110101	57DD75
	446,115625	010101111111011101110101	57F775
	446,121875	010101010101011101111101	55577D
	446,128125	010101010111110101111101	557D7D
	446,134375	010101011101010101111111	55D57F
	446,140625	010101011111111101111111	55FF7F
	446,146875	010111110101010101011111	5F555F
	446,153125	010111110111111101011111	5F7F5F
	446,159375	010111111101011101011101	5FD75D
	446,165625	010111111111110101011101	5FFD5D
	446,171875	010111010101110101010101	5D5D55
	446,178125	010111010111011101010101	5D7755
	446,184375	010111011101111101010111	5DDF57
	446,190625	010111011111010101010111	5DF557
446,196875	011101110101110111010111	775DD7	

Group	Channel Frequency	Channel Code (Bit)	Channel Code (Hex)
RESERVED	N/A	011101110111011111010111	7777D7
	N/A	011101111101111111010101	77DFD5
	N/A	011101111111010111010101	77F5D5
	N/A	01110101010101010111011101	7555DD
	N/A	011101010111111111011101	757FDD
	N/A	011101011101011111011111	75D7DF
	N/A	011101011111110111011111	75FDDF
	N/A	011111110101011111111111	7F57FF
	N/A	011111110111110111111111	7F7DFF
	N/A	011111111101010111111101	7FD5FD
	N/A	011111111111111111111101	7FFFFD
	N/A	011111010101111111110101	7D5FF5
	N/A	011111010111010111110101	7D75F5
	N/A	011111011101110111110111	7DDDF7
	N/A	011111011111011111110111	7DF7F7
	N/A	110101110101010111110111	D755F7
	N/A	110101110111111111110111	D77FF7
	N/A	110101111101011111110101	D7D7F5
	N/A	110101111111110111110101	D7FDF5
	N/A	110101010101110111111101	D55DFD
	N/A	110101010111011111111101	D577FD
	N/A	110101011101111111111111	D5DFFF
	N/A	110101011111010111111111	D5F5FF
	N/A	110111110101111111011111	DF5FDF
	N/A	110111110111010111011111	DF75DF
	N/A	1101111110111011101101101	DFDDDD
	N/A	11011111111101111101101	DF77DD
	N/A	110111010101011111010101	DD57D5
N/A	110111010111110111010101	DD7DD5	
N/A	110111011101010111010111	DDD5D7	
N/A	110111011111111111010111	DDFFD7	
B	446,103125	111101110101011101010111	F75757
	446,109375	111101110111110101010111	F77D57
	446,115625	111101111101010101010101	F7D555
	446,121875	111101111111111111010101	F7FF55
	446,128125	111101010101111101011101	F55F5D
	446,134375	111101010111010101011101	F5755D
	446,140625	111101011101110101011111	F5DD5F
	446,146875	111101011111011101011111	F5F75F
	446,153125	111111110101110101111111	FF5D7F
	446,159375	111111110111011101111111	FF777F
	446,165625	111111111101111101111101	FFDF7D
	446,171875	111111111111010101111101	FFF57D
	446,178125	111111010101010101110101	FD5575
	446,184375	111111010111111101110101	FD7F75
	446,190625	111111011101011101110111	FDD777
	446,196875	111111011111110101110111	FD7777

## 6.1.6 Preamble

The preamble consists of a minimum of 72 bits and shall have the form 5F 5F 5F 5F 5F 5F 5F 5F 5F. If a preamble pattern longer than 72 bits is used then the repeated 5F pattern (01011111) shall be maintained.

It is used with header frames, packet data headers and acknowledgements.

## 7 Interleaving and FEC coding

### 7.1 Di-bit coding

This is coding scheme applicable to the Channel Code:

0 >	01
1 >	11

### 7.2 CRC addition

Use	CRC	Polynomial
Frame (CCH)	CRC7	$X^7 + X^3 + 1$
Header (HI)	CRC8	$X^8 + X^2 + X^1 + 1$

### 7.3 Hamming code

A shortened Hamming code (12,8) is employed and the generator matrix is shown below:

X7,X6,X5,X4,X3,X2,X1,1 is Identity bit (8 bit): C3,C2,C1,C0 is Parity bit (4 bit).

**Table 7.1: Generator matrix**

	12	11	10	9	8	7	6	5	4	3	2	1
	X7	X6	X5	X4	X3	X2	X1	1	C3	C2	C1	C0
1	1	0	0	0	0	0	0	0	1	1	1	0
2	0	1	0	0	0	0	0	0	0	1	1	1
3	0	0	1	0	0	0	0	0	1	0	1	0
4	0	0	0	1	0	0	0	0	0	1	0	1
5	0	0	0	0	1	0	0	0	1	0	1	1
6	0	0	0	0	0	1	0	0	1	1	0	0
7	0	0	0	0	0	0	1	0	0	1	1	0
8	0	0	0	0	0	0	0	1	0	0	1	1

Shortened Hamming code (12,8) Polynomial:  $X^4 + X + 1$ .

### 7.4 Scrambling

The scrambling polynomial is  $X^9 + X^5 + 1$  with an initial preset value of all "1"s.

NOTE: Where scrambling is illustrated as a block action in clause 9, the scrambler is initialized at the start of each block.

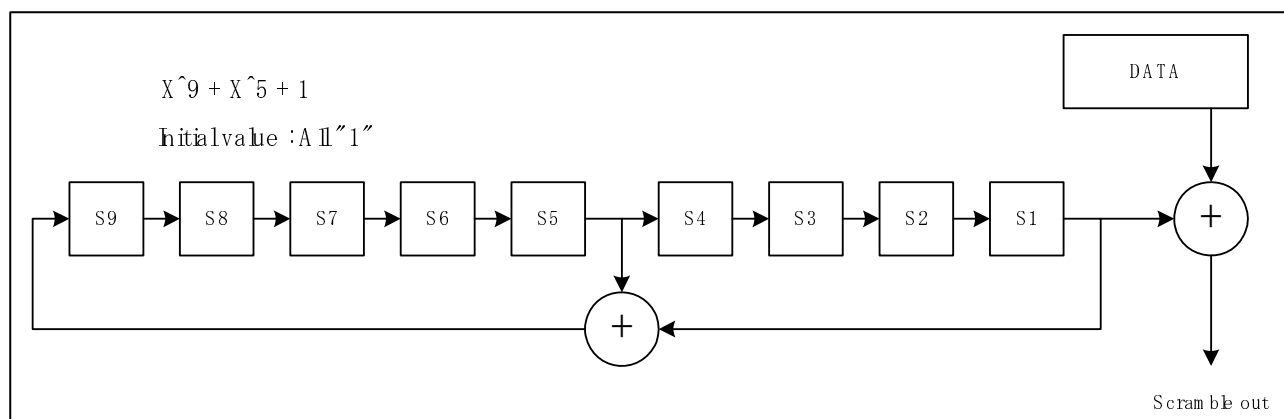


Figure 3: Scrambling format

## 7.5 Interleaving

There are two interleaving matrices, one for the TCH and one for the HI field.

TCH interleave structure matrix:

Table 7.2: TCH Interleaving matrix

	1	2	3	4	5	6
1	1	13	25	37	49	61
2	2	14	26	38	50	62
3	3	15	27	39	51	63
4	4	16	28	40	52	64
5	5	17	29	41	53	65
6	6	18	30	42	54	66
7	7	19	31	43	55	67
8	8	20	32	44	56	68
9	9	21	33	45	57	69
10	10	22	34	46	58	70
11	11	23	35	47	59	71
12	12	24	36	48	60	72

Use of the interleaving matrix [12 x 6]:

- Transmit data is input to the matrix in vertical columns from top left to lower right. Data is output from the matrix in horizontal rows from top left to lower right.

If the input to the transmit interleaver is a vector of length 72, bit ordered as [1,2,3,4,5,6.....72] the output is a vector ordered as [1,13,25,37,49,61.....72].

- Receive data is input to the matrix in horizontal rows from top left to lower right. Data is output from the matrix in vertical columns from top left to lower right.

If the input to the receive de-interleaver is a vector of length 72, bit ordered as [1,2,3,4,5,6.....72] the output is a vector ordered as [1,7,13,19,25,31.....72].

The Interleave Structure Matrix Map (Tx side: 12 bit x 10).

**Table 7.3: HI field Interleaving matrix**

	1	2	3	4	5	6	7	8	9	10
1	1	13	25	37	49	61	73	85	97	109
2	2	14	26	38	50	62	74	86	98	110
3	3	15	27	39	51	63	75	87	99	111
4	4	16	28	40	52	64	76	88	100	112
5	5	17	29	41	53	65	77	89	101	113
6	6	18	30	42	54	66	78	90	102	114
7	7	19	31	43	55	67	79	91	103	115
8	8	20	32	44	56	68	80	92	104	116
9	9	21	33	45	57	69	81	93	105	117
10	10	22	34	46	58	70	82	94	106	118
11	11	23	35	47	59	71	83	95	107	119
12	12	24	36	48	60	72	84	96	108	120
NOTE: Applied in the Header HI0/HI1.										

Use of the interleaving matrix [12 x 10]:

- Transmit data is input to the matrix in vertical columns from top left to lower right. Data is output from the matrix in horizontal rows from top left to lower right.

If the input to the transmit interleaver is a vector of length 72, bit ordered as [1,2,3,4,5,6.....120] the output is a vector ordered as [1,13,25,37,49,61.....120].

- Receive data is input to the matrix in horizontal rows from top left to lower right. Data is output from the matrix in vertical columns from top left to lower right.

If the input to the receive de-interleaver is a vector of length 72, bit ordered as [1,2,3,4,5,6.....120] the output is a vector ordered as [1,11,22,33,44,55.....120].

## 7.6 FEC coding of CCH (superframe)

There are a total of 41 bits of CCH data.

The 7 bit CRC checksum is added using the polynomial given in clause 7.2 giving a total of 48 bits.

These 48 bits are now separated into 6 bytes. Each byte is now coded by a shortened 12,8 Hamming Code (clause 7.3) giving  $6 \times 12$  bit blocks.

To protect against burst interference, these  $6 \times 12$  bit blocks are now interleaved using the  $12 \times 6$  TCH interleaving matrix given in table 7.2.

Then the interleaved CCH data is scrambled using the polynomial given in clause 7.4.

## 7.7 FEC coding of HI (header information)

There are a total of 72 bits of HI data.

The 8 bit CRC checksum is added using the polynomial given in clause 7.2 giving a total of 80 bits.

These 80 bits are now separated into 10 bytes. Each byte is now coded by a shortened 12,8 Hamming Code (clause 7.3) giving  $10 \times 12$  bit blocks.

To protect against burst interference, these  $10 \times 12$  bit blocks are now interleaved using the  $12 \times 10$  HI interleaving matrix given in clause 7.5.

Then the interleaved HI data is scrambled using the polynomial given in clause 7.4.

## 7.8 FEC coding of END information

There are a total of 17 bits of END information.

The 7 bit CRC checksum is added using the polynomial given in clause 7.2 giving a total of 24 bits.

These 24 bits are now separated into 3 bytes. Each byte is now coded by a shortened 12,8 Hamming Code (clause 7.3) giving  $3 \times 12$  bit blocks. These 36 bits are now repeated and the total 72 bits are scrambled using the polynomial given in clause 7.4.

# 8 Bearer services, tele-services and supplementary services

## 8.1 Initial mode

**Table 8.1**

Bearer services	Tele-services	Supplementary services
Voice	Group Call	Late Entry
		All Call
		PTT Call
		Slow user data
		Talking Party Identification
Type 2 data	IP over dPMR	-
	Group Short Data Message	Status Message
		Precoded Message
		Free Text Message
		Short file transfer
Type 1 data	IP over dPMR	-
	Group Short Data Message	Status Message
		Precoded Message
		Free Text Message
		Short file transfer

### 8.1.1 Initial addressing

The ISF addressing is based on an allocation of 24 bits. This address space is subdivided into two parts.

For the purposes of interoperability "out of the box", radios employing Initial Services and Facilities shall operate with simplified addressing scheme. Of the 24 bit address space, 16 bits are fixed and only the 8 bit Common ID is selectable by the user. This results in 254 selectable codes which operate indiscriminately as both individual and group addresses.

#### 8.1.1.1 Common ID

The 8 bit Common ID field may be considered as similar to CTCSS/DTCS as used in analogue PMR radio.

Selectable values (decimal) are as follows:

**Table 8.2: Common ID addressing**

Com ID	
0	Reserved
1 to 254	Applicable
255	All call

All radios will decode an All call (common ID = 255) irrespective of the common ID selected by the user. However, radios that have 255 selected as the common ID will only respond to calls addressed to a common ID of 255.

### 8.1.1.2 Fixed part of address

The 16 bits following the common ID field shall all be set to 1.

### 8.1.2 ISF channel codes

Radios shall use only the Group A CC.

## 8.2 Configured mode

**Table 8.3**

Bearer services	Tele-services	Supplementary services
Voice	Individual Call	Late Entry
		OACSU
		Cancel call set-up
		PTT call
		Slow user data
		Short appended data
	Talking Party Identification	
	Group Call	Late Entry
		All Call
		PTT Call
		Slow user data
		Short appended data
Broadcast Call		
Talking Party Identification		
Type 3 data	IP over dPMR	-
	Individual Short Data Message	
		Short file transfer
Type 2 data	IP over dPMR	-
	Individual Short Data Message	Status Message
		Precoded Message
		Free Text Message
		Short file transfer
	Group Short Data Message	Status Message
		Precoded Message
		Free Text Message
		Short file transfer
	Type 1 data	IP over dPMR
Individual Short Data Message		Status Message
		Precoded Message
		Free Text Message
		Short file transfer
Group Short Data Message		Status Message
		Precoded Message
		Free Text Message
		Short file transfer



## 8.2.1 Call types

### 8.2.1.1 Individual call

An individual call is a call made to a unique address that is not identified as a group address within any radio that is part of a system.

For equipment compliant with the Standard User Interface, an individual call is a call made to a dialable address as defined in clause A.2.1.1.1 that does not contain any "wildcard" characters as defined in clause A.2.1.2.1.

### 8.2.1.2 Group call

A group call is a call made to an address that is identified as a group address within one or more radio that is part of a system.

For equipment compliant with the Standard User Interface, a group call is a call made to a dialable address as defined in clause A.2.1.2.1 using "wildcard" characters to define talkgroups.

## 8.2.2 Addressing

The addressing is based on an allocation of 24 bits.

For equipment compliant with the Standard User Interface radios shall use a 7 digit addressing scheme that is encoded into the 24 bit address field as detailed in annex A.

## 8.2.3 CSF channel codes

Radios shall use only the Group B CC.

## 8.3 Packet data

### 8.3.1 Format

Packet data uses a different format to the normal communications frame format. The use of frame sync 4 (FS4) indicates that the frames following will be in PDF format.

Basic PDF format:

Header 2	Data frames	END
----------	-------------	-----

Total length of data frames =  $80 \text{ ms} \times (\text{pdS} + 1)$

The value of pdS transmitted will indicate the number of 80 ms frames.

Concatenated PDF frames:

Header 2	PDF 1	PDF 2	PDF 3	PDF 4	PDF 5	END
----------	-------	-------	-------	-------	-------	-----

The value of pdM transmitted will indicate the number of 320 ms frames.

The maximum transmission time of a single packet will be when  $\text{pdS} = 3$  and  $\text{pdM} = 7$

i.e. Header + (PDF max X pdM max) + END

=  $80 + (320 \times 8) + 20 \text{ ms}$

= 2 660 ms

### 8.3.2 Receiving party

Receiving parties will signal to the transmitting party whether the data has been received without errors.

Where there were no errors in any of the received packet frames, the response shall be an ACK frame with the Acknowledgement type (in the CI data) set to 001.

Where errors are detected in any of the received packet frames, the response shall be an ACK frame with the Acknowledgement type (in the CI data) set to 010. This is a NACK frame. The information bits in the CI data will denote the number of the last packet frame received without error. The NACK retransmit values are given in table 8.4.

**Table 8.4: NACK retransmit values**

Type	Information	
010	0	Retransmit from frame 1
	1	Retransmit from frame 2
	2	Retransmit from frame 3
	3	Retransmit from frame 4
	4	Retransmit from frame 5
	5	Retransmit from frame 6
	6	Retransmit from frame 7
	7	Retransmit from frame 8
	Other	Reserved

### 8.3.3 Packet frame coding

Packet Data Frame format:

CC	PAR	DATA
24 bits	72 bits	288 bits (pdS = 0), 672 (pdS = 1), 1 056 (pdS=2), 1 440 (pdS = 3)

**Table 8.5: Packet data frame coding**

		Tx frame	Info bits	FEC		Transfer bits
CC	Channel Code	ALL	12	Di-bit		24
PAR	Parameter		(41)	CRC 7 bit (12, 8) Short Hamming Interleave 12 x 6	Scramble	72
N	Packet frame number	ALL	3			
LEN	Data length (BYTE)*1	ALL	8			
DUMMY	DUMMY BITS	ALL	14			
CRC-D	CRC for DATA field	ALL	16			
DATA	User data	pdS = 0 pdS = 1 pdS = 2 pdS = 3	ALL ALL ALL ALL	288 672 1 056 1 440	NONE	288 672 1 056 1 440

DUMMY bits in the data frame are all set to zero.

N: Number of each individual packet frame transmitted in this item counting from 0 up to the value given by pdM in the Packet data Header.

Data length 3 bit

Definition:

Field	Value	Meaning
N	0 to 7 (dec)	Number of packet frames

### 8.3.4 Data frame size

The data frame size is declared in the Header frame CI field pdS. (See table 5.10c.)

The length of a packet data transmission will always be an integral number of 80 ms units (i.e. same as the normal FDMA frames.)

pdS = 0 total length = 80 ms / 384 bits

CC	PAR	Data
		288 bit (36 byte)

pdS = 1 total length = 160 ms / 768 bits

CC	PAR	Data
		672 bit (84 byte)

pdS = 2 total length = 240 ms / 1 152 bits

CC	PAR	Data
		1 056 bit (132 byte)

pdS = 3 total length = 320 ms / 1 536 bits

CC	PAR	Data
		1 440 bit (180 byte)

### 8.3.5 Valid data length

The transmitting party will signal the actual length of the valid data contained in each packet using the LEN parameter. Any unused bytes of each packet shall be completed with null data (all zeroes).

LEN Data length (BYTE)

Data length 8 bits

Definition:

0 to 36	(dec)	Data length (BYTE)	36 byte = 288 bit, for pdS = 0
0 to 84	(dec)	Data length (BYTE)	84 byte = 672 bit, for pdS = 1
0 to 132	(dec)	Data length (BYTE)	132 byte = 1 056 bit, for pdS = 2
0 to 180	(dec)	Data length (BYTE)	180 byte = 1 440 bit, for pdS = 3
Other	(dec)	reserved	

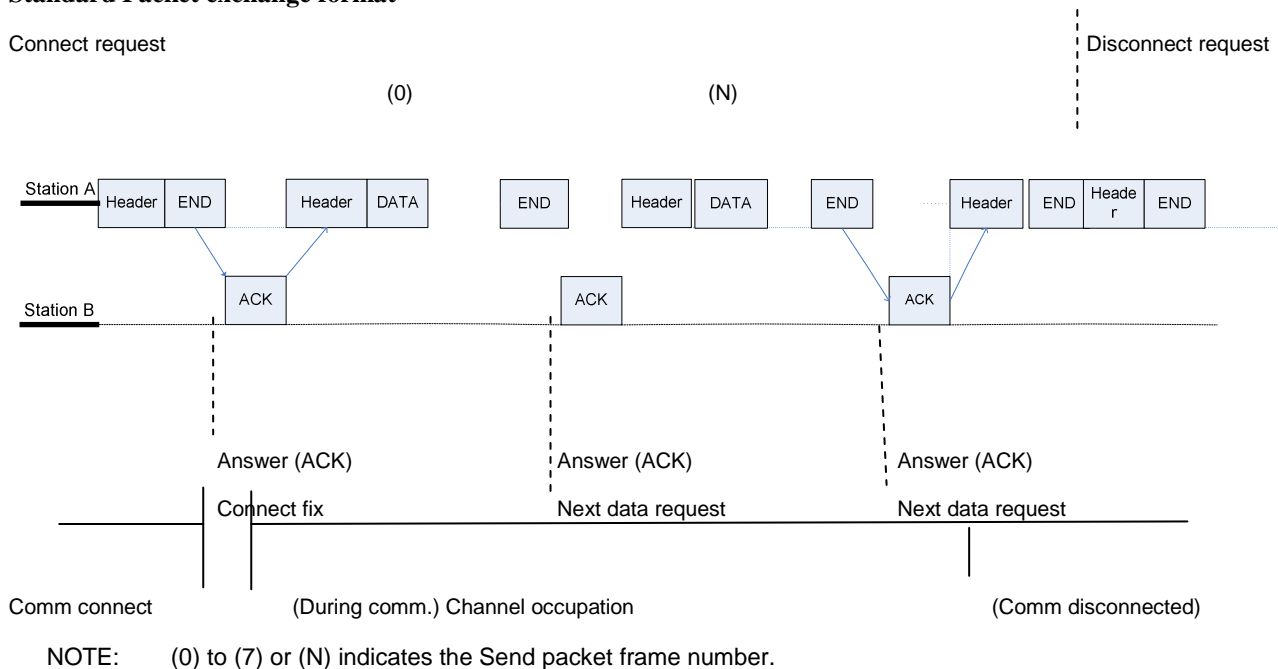
### 8.3.6 Data checksum

A 16 bit CRC checksum is calculated from the contents of the data field in each packet frame, CRC-D.

The Generated Polynomial uses  $X^{16} + X^{12} + X^5 + 1$ .

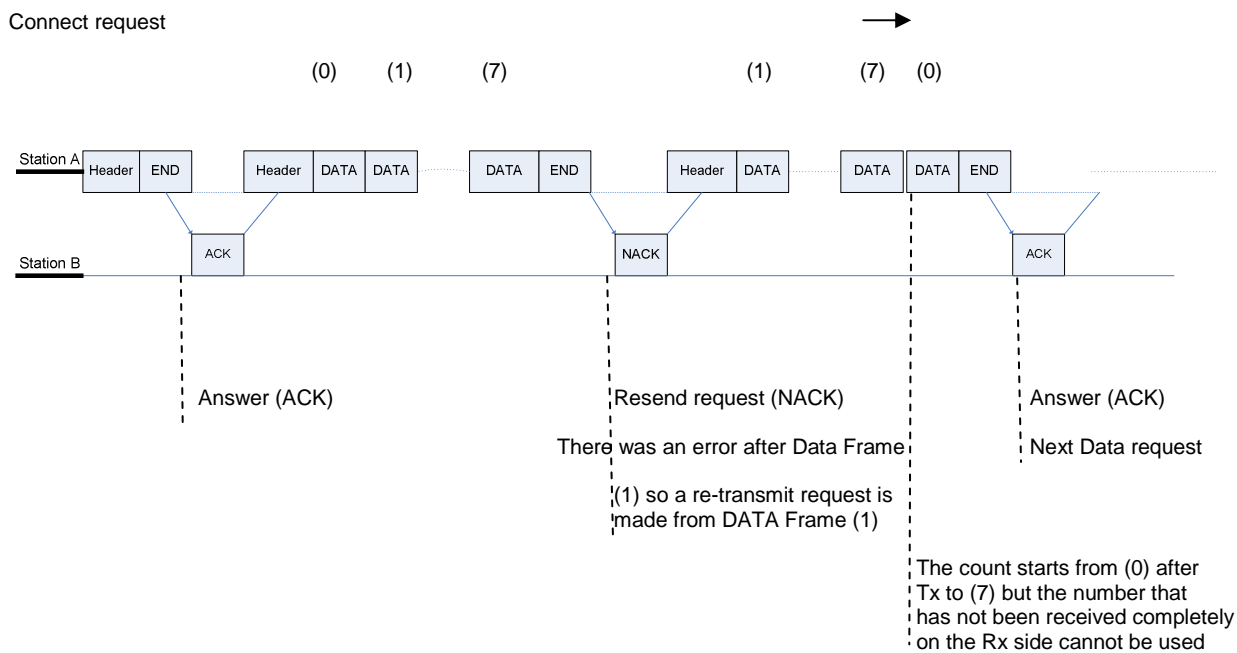
This CRC-D checksum is used in the parameter field (PAR) of the packet data frame.

**Standard Packet exchange format**



**Figure 4: Packet exchanges**

**Packet Re-transmit exchange format**



**Figure 5: Packet retransmissions**

**9 Channel coding process**

The channel coding processes described in the present clause follow standard practice of the left most bit in the diagram being transmitted first and each field of the frame assembled such that the MSB of the field is transmitted first.

## 9.1 Voice superframe

Construction of the voice superframe starts with CCH control channel data.

Frame Numbering (FN) is from 00 to 11 (1 to 4).

FN is followed by 12 bits of the called station address or own ID as follows:

The called station ID and own ID make a total of 48 bits. These bits are split into 12 bit blocks and one block is included in each of the 4 frames of the superframe:

- FN 00 will include the upper 12 bits of the called station ID.
- FN 01 will include the lower 12 bits of the called station ID.
- FN 10 will include the upper 12 bits of the own ID.
- FN 11 will include the lower 12 bits of the own ID.

The communications mode value is added according to the table in clause 5.7.

**EXAMPLE:** If slow data (SLD) is being included within the voice superframe then communications mode value is set to 001.

The 2 version bits are added according to clause 5.16.

The communications format bits are now added according to clause 5.8. Generally these will be set to 01 (peer-to-peer call). Occasionally they may be set to 00 (all call) but this is a special case, similar to a broadcast.

The next 2 bits are set to 00 (reserved bits):

- If the communications mode is set to 000 the 18 bits of slow user data (SLD) field are set to zero and added.
- If the communications mode is set to 001 the 18 bits of slow user data (SLD) are added (clause 5.9.1).
- If the communications mode is set to 101 the slow user data (SLD) field is assembled according to clause 5.9.2 and appended.

This gives the total of 41 bits of CCH data.

The 7 bit CRC checksum is added using the polynomial given in clause 7.2 giving a total of 48 bits.

These 48 bits are now separated into 6 bytes. Each byte is now coded by a shortened 12,8 Hamming Code (clause 7.3) giving  $6 \times 12$  bit blocks.

To protect against burst interference, these  $6 \times 12$  bit blocks are now interleaved using the  $12 \times 6$  TCH interleaving matrix given in table 7.2.

Then the interleaved CCH data is scrambled using the polynomial given in clause 7.4.

The frame is completed by prefixing with either the 24 bits of FS2 (frame numbers 00 or 10) or the 24 bits of Colour Code (frame numbers 01 or 11).

Finally the  $4 \times 72$  bit blocks of Forward Error corrected vocoder data (TCH) are appended.

If the PTT is released before the end of the current superframe, then the superframe will be completed using silence data for the TCH ("silence data" is the vocoder output data when no sound is input).

In the case of a voice + data and the voice transmission ends before the end of the current superframe, the current frame will be completed using silence data for the TCH ("silence data" is the vocoder output data when no sound is input). After completion of the current frame, subsequent frames in the superframe are available for data and coded according to clause 9.3. DP in the SLD field will indicate if the frame contains voice or data information (clause 5.9.1).

**Detail: Voice + Appended data call**

In each transmitted item the format is always that of a series of complete superframes (SF) with Header and End frames as shown below:

H	SF	SF	SF	SF	SF	E
---	----	----	----	----	----	---

Within each superframe, there are 4 payload frames.

For this example we shall assume that the PTT is released in frame 2 and the voice codec data stops. 36 bytes of data with FEC (type 2) will be appended. As each frame has a capacity of 20 bytes of type 2 data, both frames 3 and 4 will be required.

Frame 1			Frame 2			Frame 3			Frame 4		
FS2	CCH	Payload	CC	CCH	Payload	FS2	CCH	Payload	CC	CCH	Payload

The SLD field in each of these frames is composed as below:

Frame 1: with voice payload

Reserved	DP	Format	Cont.	Data length (bytes)
00000	00	4 bits	1	000000

Frame 2: with voice payload ending in this frame

Reserved	DP	Format	Cont.	Data length (bytes)
00000	00	4 bits	1	000000

Frame 3: with data payload starting in this frame

Reserved	DP	Format	Cont.	Data length (bytes)
00000	11	4 bits	0	010100 (20 bytes in this frame)

Frame 4: with data payload ending in this frame

Reserved	DP	Format	Cont.	Data length (bytes)
00000	11	4 bits	1	010000 (16 bytes in this frame)

Notes for TCH payload:

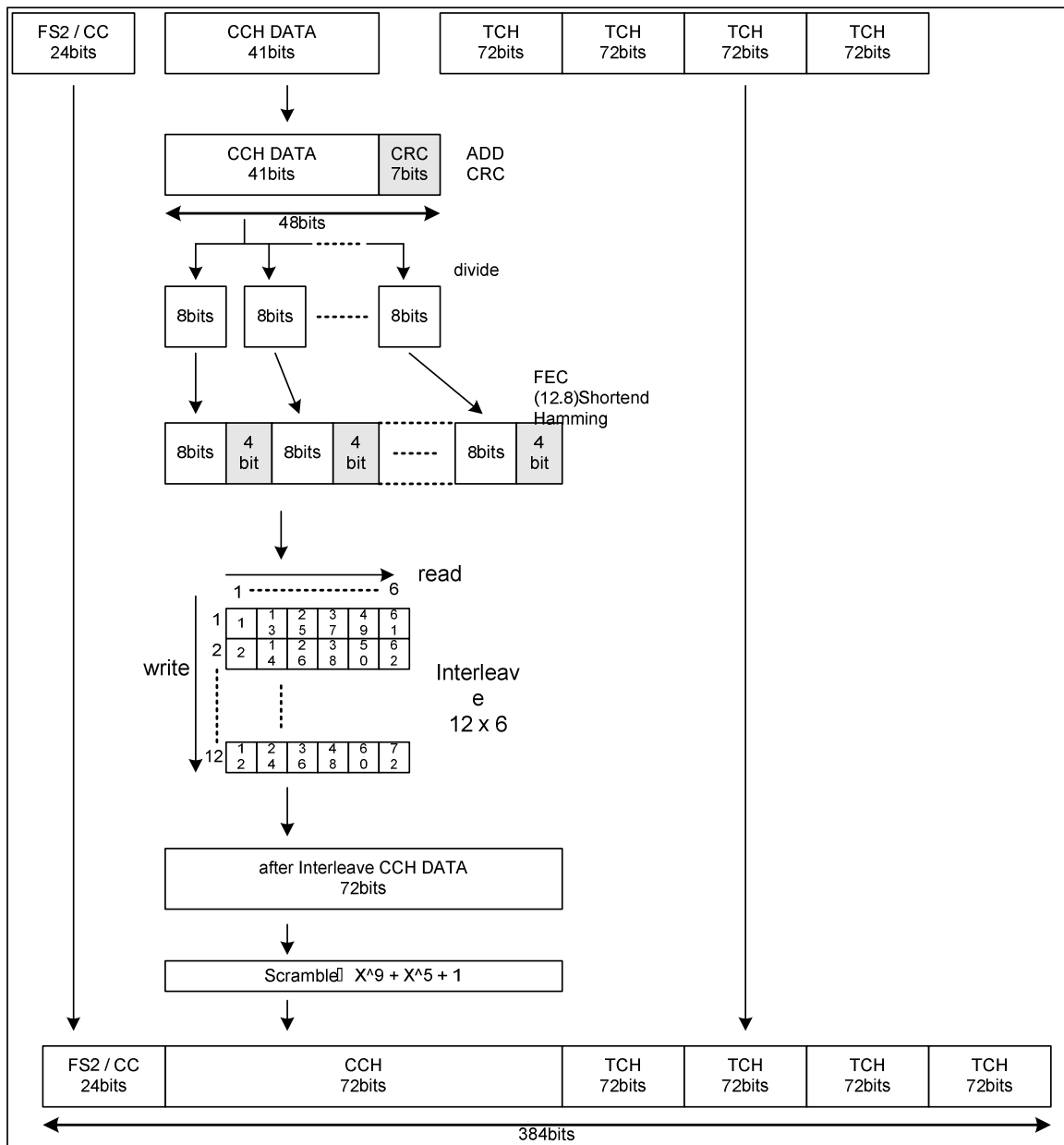
In frame 2 the voice codec data ends when the PTT is released. "Silence data" is used to complete the TCH payload of frame 2 as previously stated.

In frame 4 the 16 bytes of data is not enough to complete the frame. Therefore 4 bytes of dummy data (i.e. zeros) is appended to complete the TCH payload of frame 4. The TCH payload is coded according to clause 9.3. The receiving party will know that there are 4 bytes of dummy data as the SLD data length field indicates that only 16 of the 20 bytes are valid data.

**Table 9.1a: CM, SLD, CI use**

Communication mode	SLD field (CCH) see clause 5.9	CI field (Header) see clause 5.10
000	Voice Comm	ALL "0" (No user data)
001	Voice + User SLD	User Slow Data (clause 5.9.1)
010	Data Type 1	TCH data information (clause 5.9.2)
011	Data Type 2	TCH data information (clause 5.9.2)
100	Data Type 3	-----
101	Voice and appended Data (Type 2)	TCH data information
		Header Type (see note) / Data Format
		Header Type (see note) / Data Format
		Header Type (see note) / pDS, pdM
		Header Type

NOTE: Use Extended Header (clause 11.1).



NOTE: Voice communication.

Figure 6: Voice frame coding

## 9.2 Type 1 data superframe

Construction of the type 1 data superframe starts with CCH control channel data.

Frame Numbering (FN) is from 00 to 11 (1 to 4).

FN is followed by 12 bits of the called station address or own ID as follows:

The called station ID and own ID make a total of 48 bits. These bits are split into 12 bit blocks and one block is included in each of the 4 frames of the superframe:

- FN 00 will include the upper 12 bits of the called station ID.
- FN 01 will include the lower 12 bits of the called station ID.
- FN 10 will include the upper 12 bits of the own ID.
- FN 11 will include the lower 12 bits of the own ID.

The communications mode 010 is added (clause 5.7).

The 2 version bits are added according to clause 5.16.

The communications format bits are now added according to clause 5.8. Generally these will be set to 01 (peer-to-peer call). Occasionally they may be set to 00 (all call) but this is a special case, similar to a broadcast.

The next 2 bits are set to 00 (reserved bits).

Then there are the 18 bits of the slow user data field (SLD). These bits are set according to clause 5.9.2 depending on the data to be transmitted.

This gives the total of 41 bits of CCH data.

The 7 bit CRC checksum is added using the polynomial given in clause 7.2 giving a total of 48 bits.

These 48 bits are now separated into 6 bytes. Each byte is now coded by a shortened 12,8 Hamming Code (clause 7.3) giving  $6 \times 12$  bit blocks.

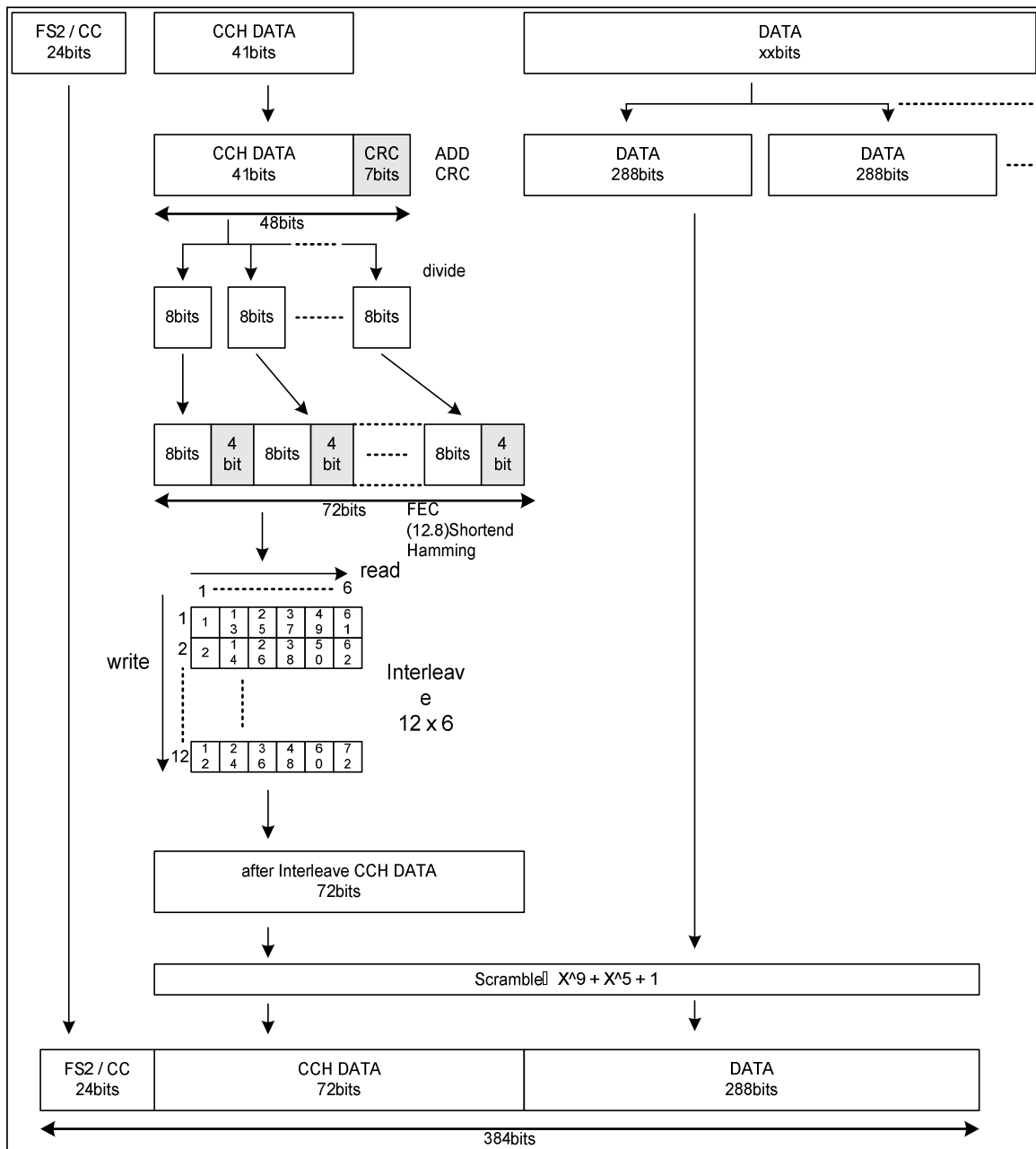
To protect against burst interference, these  $6 \times 12$  bit blocks are now interleaved using the  $12 \times 6$  TCH interleaving matrix given in table 7.2.

Next the 288 bit block of uncorrected user data are appended.

Finally the interleaved CCH data and appended data blocks are scrambled using the polynomial given in clause 7.4.

The frame is completed by prefixing with either the 24 bits of FS2 (frame numbers 00 or 10) or the 24 bits of Colour Code (frame numbers 01 or 11).





NOTE: DATA communication Type 1 (user data added to TCH part. No error correction).

Figure 7: Type 1 data frame coding

## 9.3 Type 2 Data superframe

Construction of the type 2 data superframe starts with CCH control channel data.

Frame Numbering (FN) is from 00 to 11 (1 to 4).

FN is followed by 12 bits of the called station address or own ID as follows:

The called station ID and own ID make a total of 48 bits. These bits are split into 12 bit blocks and one block is included in each of the 4 frames of the superframe:

- FN 00 will include the upper 12 bits of the called station ID.
- FN 01 will include the lower 12 bits of the called station ID.
- FN 10 will include the upper 12 bits of the own ID.
- FN 11 will include the lower 12 bits of the own ID.

The communications mode 011 is added (clause 5.7).

The 2 version bits are added according to clause 5.16.

The communications format bits are now added according to clause 5.8. Generally these will be set to 01 (peer-to-peer call). Occasionally they may be set to 00 (all call) but this is a special case, similar to a broadcast.

The next 2 bits are set to 00 (reserved bits).

Finally there are the 18 bits of the slow user data field (SLD). These bits are set according to clause 5.9.2 depending on the data to be transmitted.

This gives the total of 41 bits of CCH data.

The 7 bit CRC checksum is added using the polynomial given in clause 7.2 giving a total of 48 bits.

These 48 bits are now separated into 6 bytes. Each byte is now coded by a shortened 12,8 Hamming Code (clause 7.3) giving  $6 \times 12$  bit blocks.

To protect against burst interference, these  $6 \times 12$  bit blocks are now interleaved using the  $12 \times 6$  TCH interleaving matrix given in clause 7.6.

The user data is broken down into 5 byte blocks (40 bits) to which 1 bit of null data (i.e. set to 0) is appended. 4 of these 41 bit blocks will be allocated to each frame.

The 7 bit CRC checksum is added to each 41 bit block using the polynomial given in clause 7.2 giving a total of 48 data bits.

These 48 data bits are now separated into 6 bytes. Each byte is now coded by a shortened 12,8 Hamming Code (clause 7.3) giving  $6 \times 12$  bit blocks.

To protect against burst interference, these  $6 \times 12$  bit blocks are now interleaved using the  $12 \times 6$  TCH interleaving matrix given in table 7.2.

Next 4 of the 72 bit coded data blocks are appended to the interleaved CCH data and scrambled using the polynomial given in clause 7.4.

The frame is completed by prefixing with either the 24 bits of FS2 (frame numbers 00 or 10) or the 24 bits of Colour Code (frame numbers 01 or 11).

## DATA communication Type 2

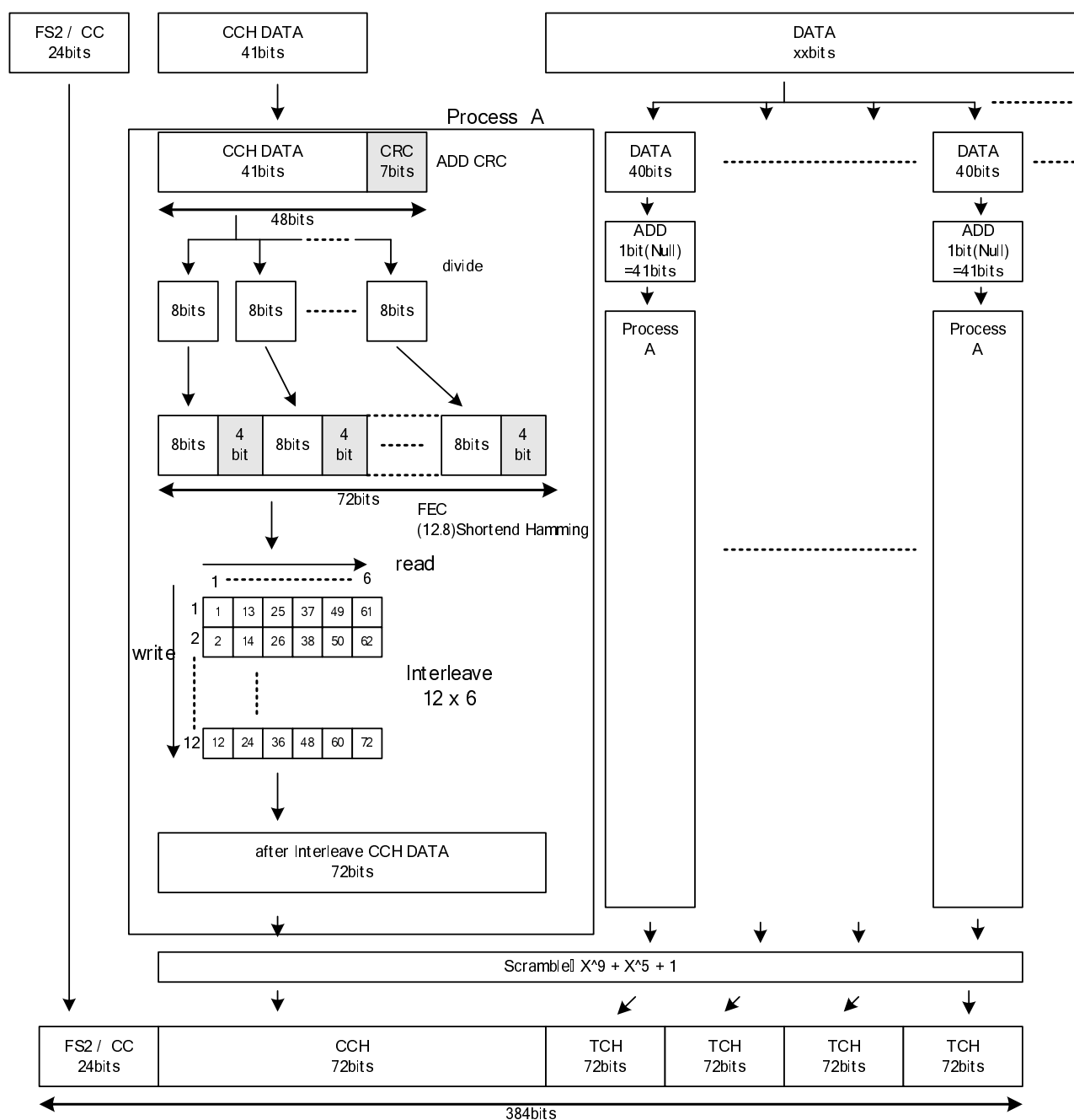


Figure 8: Type 2 data frame coding

## 9.4 Type 3 (Packet) Data frame

Construction of the type 3 Packet starts with the PAR (parameter) data.

The packet can consist of up to 8 data frames. The current data frame number (N) is from 000 to 111.

N is followed by 8 bits that give the total number of data bytes contained in the current packet.

This is followed by 14 dummy bits that are set to zero.

The next 16 bits are the CRC for the data field contained in this packet.

The 7 bit CRC checksum is added to these 41 bits using the polynomial given in clause 7.2 giving a total of 48 bits.

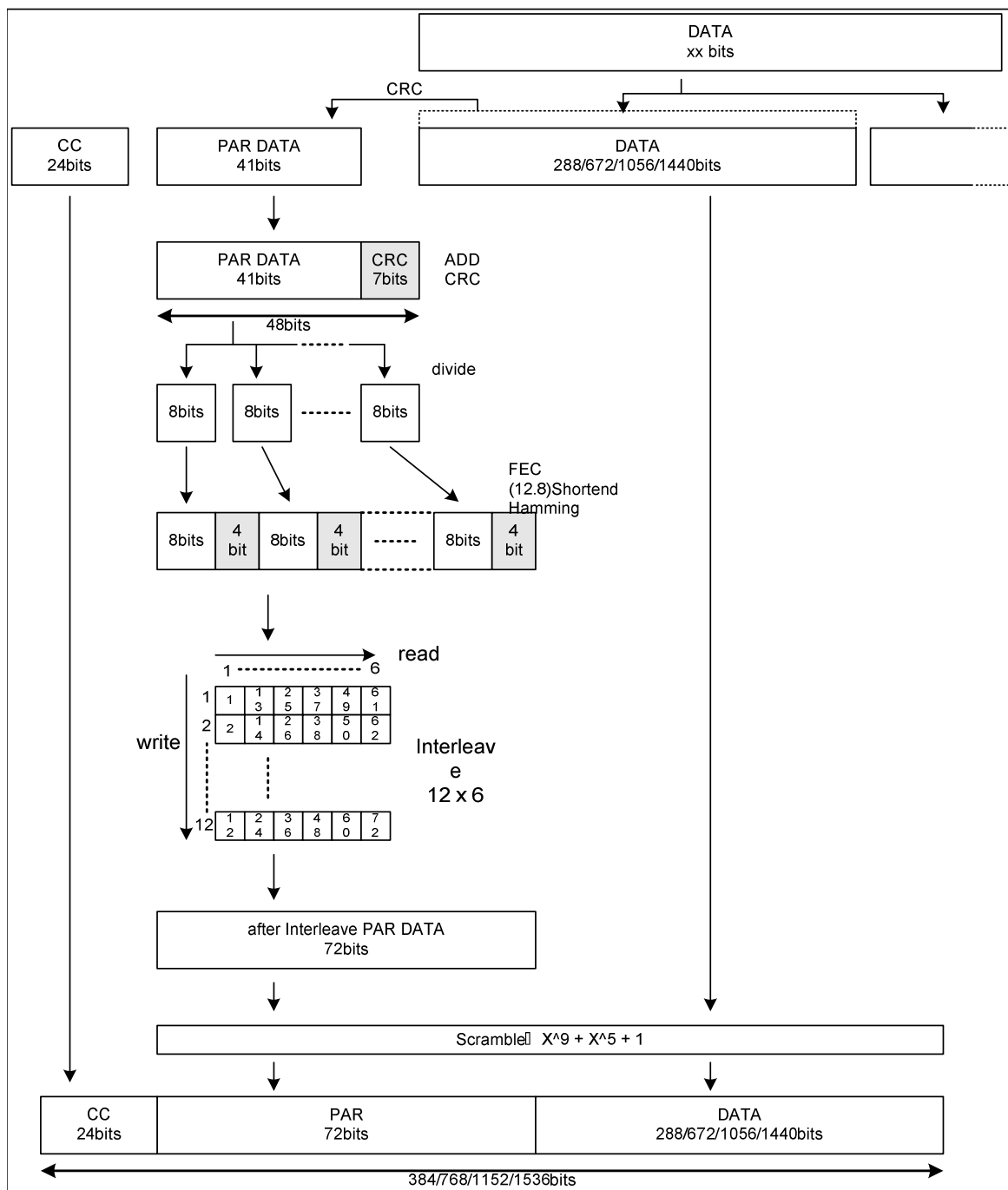
These 48 data bits are now separated into 6 bytes. Each byte is now coded by a shortened 12,8 Hamming Code (clause 7.3) giving  $6 \times 12$  bit blocks.

To protect against burst interference, these  $6 \times 12$  bit blocks are now interleaved using the  $12 \times 6$  TCH interleaving matrix given in clause 7.5.

Next the associated data frames are appended to the interleaved PAR data and scrambled using the polynomial given in clause 7.4.

The frame is completed by prefixing the 24 bits of Colour Code.

NOTE: The packet data format used in these frames is indicated by the Call Information (CI) contained in the Packet data Header. See clause 8.3.



NOTE: DATA communication Type 3 (Packet Data).

Figure 9: Packet data frame coding

## 9.5 Headers

Construction of a Header starts with the Header Information (HI) bits.

First there are 4 bits allocated to Header Type (HT) which is selected according to clause 5.11.

HT is followed by the 24 bits of the called station ID. To this the 24 bits of the own ID is added.

The communications mode value is added according to the table in clause 5.7.

The 2 version bits are added according to clause 5.16.

The communications format bits are now added according to clause 5.8. Generally these will be set to 01 (peer-to-peer call). Occasionally they may be set to 00 (all call) but this is a special case, similar to a broadcast.

The next 2 bits are set to 00 (reserved bits).

Finally there are the 11 bits of Call Information (CI) that are made up of 3 CI Type bits and 8 CI information bits as described in clauses 5.10.1 to 5.10.5 (see table 9.1b).

This gives the total of 72 bits of HI data.

The 8 bit CRC checksum is added using the polynomial given in clause 7.2 giving a total of 80 bits.

These 80 bits are now separated into 10 bytes. Each byte is now coded by a shortened 12,8 Hamming Code (clause 7.3) giving  $10 \times 12$  bit blocks.

To protect against burst interference, these  $10 \times 12$  bit blocks are now interleaved using the  $12 \times 10$  HI interleaving matrix given in clause 7.5.

Then the interleaved HI data is scrambled using the polynomial given in clause 7.4.

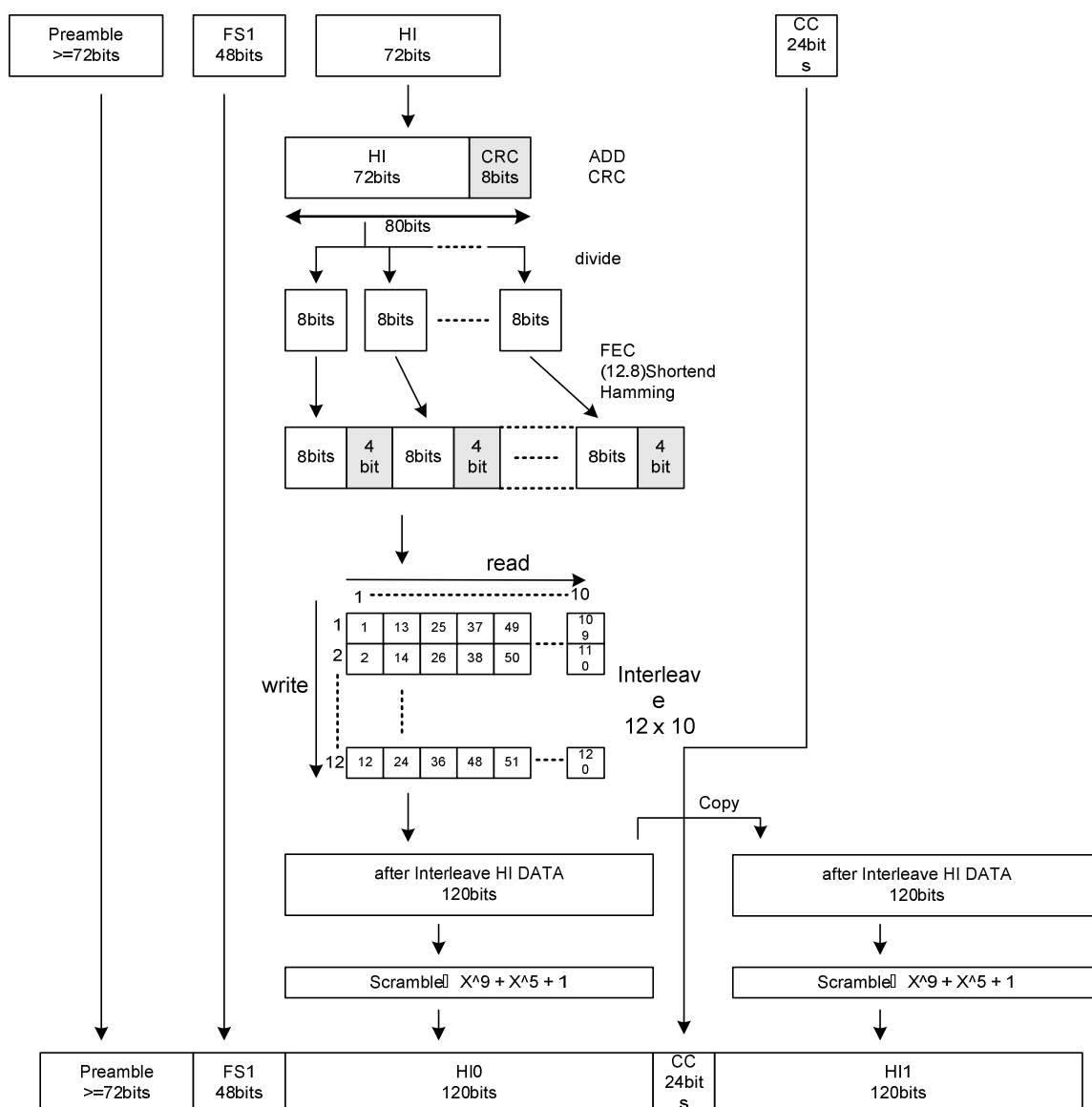
The 24 bit Colour Code is appended to the HI data and then the HI data is repeated after the CC.

The header is completed by prefixing with the 48 bit FS1 synchronization sequence (see note) and then prefixing the synchronization sequence with a minimum of 72 bits of preamble.

**Table 9.1b: Use of Call Information**

Use	Purpose	Clause
Powersave	Indicate normal or extended header type	5.10.1
T1 or T2 Data	Indicate the type of data (supplementary service)	5.10.2
T3 Data (Packet)	Indicate data frame size and number of frames	5.10.3
Acknowledgements	Indicate ACK or NACK and reason	5.10.5
System request	CI Type defines the purpose	5.10.4
System response	CI Information is not used and set to 0000 0000	
Delivery Header		

NOTE: In the case where this is a Packet Data header, the 48 bit FS4 synchronization sequence is used. Normally receiving stations determine the call type from the Header Information but techniques such as determination by FS type (as used by ETS 300 230 [3], MPT 1327 [4] and others) can be equally valid.



NOTE: Header Frame Channel Coding.

Figure 10: Header frame coding

## 9.6 End frames

Construction of the End frame starts with the 17 bits of End data.

The end data starts with the End Type (ET) which is either 00 (normal end frame) or 01 (end frame with status message).

The next 2 bits are the acknowledgement request (ARQ). 00 signifies that no acknowledgement is requested and 01 requires an acknowledgement.

The next 4 bits define any Tx wait time (WAIT) using the values given in clause 5.14.

5 bit of status message will then follow if ET has been set to 01 (or 5 bits of dummy data if ET = 00).

Finally the 4 reserved bits are set to 0000.

The 7 bit CRC checksum is added using the polynomial given in clause 7.2 giving a total of 24 bits.

These 24 bits are now separated into 3 bytes. Each byte is now coded by a shortened 12,8 Hamming Code (clause 7.3) giving 3 x 12 bit blocks. These 36 bits are now repeated and each block of 36 bits is scrambled using the polynomial given in clause 7.4.

Finally the 24 bit FS3 synchronization sequence is prefixed to these end data bits.

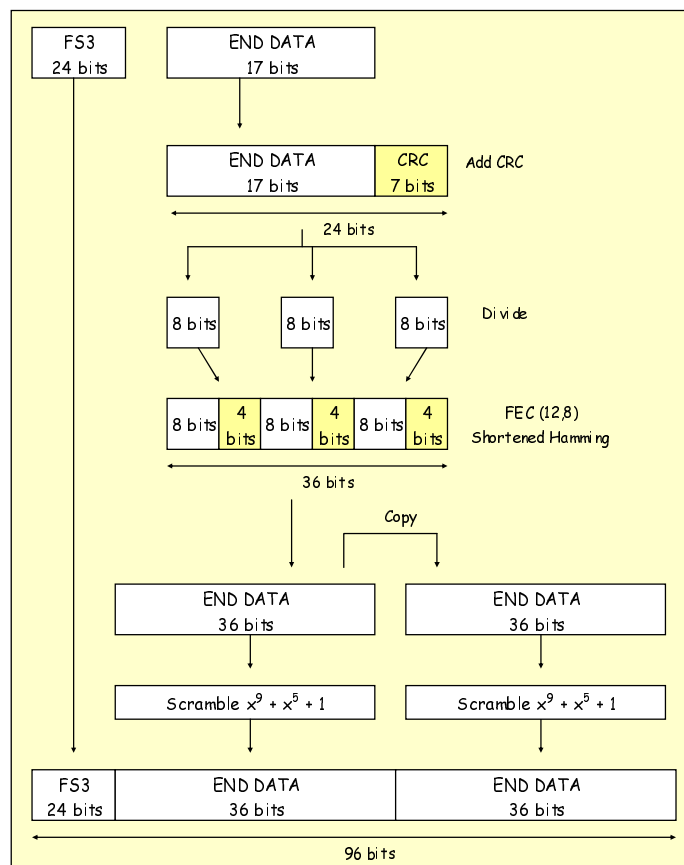


Figure 11: End frame coding

## 10 Channel access

### 10.1 Listen Before Transmit (LBT)

When accessing a channel to transmit, a radio shall take account of the following types of activity which may already be present on the channel:

- 6,25 kHz FDMA activity;
- other digital protocol activity;
- analogue activity.

When determining whether activity is present on a channel, the radio shall monitor the RSSI level. If after a maximum period of time ( $T_{ch\_chk}$ ) the RSSI level has not exceeded a configurable (within a predefined range) threshold  $RSSI_{LO}$ , then the radio shall assume that activity is not present on the channel.

$RSSI_{LO}$  shall be set to  $-105 \text{ dBm} \pm 3 \text{ dB}$ .

If however the RSSI level does exceed this threshold, then the radio shall assume that activity is present on the channel and it shall attempt to become frame synchronized to the activity.

If the radio is successful in becoming frame synchronized to the activity, then the radio shall assume that 6,25 kHz FDMA activity is present on the channel. If the Channel Code is different then the radio shall assume that the activity is interference. If however after a maximum period of time ( $T_{ch\_free}$ ), the radio has not become frame synchronized to the activity, then the radio shall assume that the activity is non-6,25 kHz FDMA activity.

## 10.2 Hang time messages and timers

### 10.2.1 Definition

A voice call shall consist of a series of speech items separated by gaps known as "call hang time periods".

As the protocol is inherently asynchronous, these gaps will be of random duration but it is possible for a radio involved in a group or talkgroup call to define a minimum call hang time period using Tx WAIT. Tx WAIT commences immediately after the END frame of the transmission that announces a Tx WAIT period.

### 10.2.2 Action by receiving stations

When a transmitting radio involved in a group or talkgroup call announces a non zero Tx WAIT time then PTT activated transmissions shall not be permitted to start during this Tx WAIT time irrespective of any polite or impolite criteria employed.

Where a radio receives a break-in request during the announced Tx Wait time then there will be some audible prompt to the user to leave the RF channel free for the station that has requested to speak.

### 10.2.3 Break-in requests

When a transmitting station has announced a non-zero Tx WAIT time then this period is available for break-in requests from stations that are involved in the call.

Break-in requests are permitted for group and talkgroup calls. They are not permitted for individual calls or All Calls.

A user that wishes to break-in and use the RF channel shall have pre-keyed a break-in request on their radio. That radio will not transmit the request until the start of the announced Tx WAIT time. The break-in request transmission will be of the "connection request" format using one header and one end frame. The Header Type is set to 0001 (connection request) and the Called Station ID remains that of the group or talkgroup call in progress.

## 10.3 Call duration timers

dPMR HSs shall have a transmit TimeOut timer which limits the time of a single transmission item. This timer shall be set to the value of 180 seconds whenever the PTT key is pressed and counts down to zero.

If the transmit TimeOut timer expires, then all HSs will stop transmitting immediately and may not re-transmit until PTT has been released and pressed again.

## 10.4 Transmit admit criteria

### 10.4.1 General admit criteria

Where a radio has been solicited to transmit a response, it may transmit the response within response time [ $T_{ack}$ ] irrespective of whether the channel is "Idle" or "Busy".

Where a radio has received a disconnection request it may immediately assume the channel to be idle.

Where a radio is involved in a voice call that is not terminated by a disconnection request has received no dPMR activity for a period of  $T_{hang}$  then it shall assume the channel to be idle.



Where a radio is involved in a data call that is not terminated by a disconnection request has received no dPMR activity for a period of T\_hang then it shall assume the transaction has failed.

Radios on the channel and not involved in any call shall just follow the channel access rules of clause 10.1.

## 10.4.2 ISF admit criteria

While a radio is partied to a voice call, it may transmit irrespective of whether the channel is "Idle" or "Busy" with 6,25 kHz FDMA activity pertaining to the same voice call but may not transmit if a Tx WAIT time has been invoked. However, for all other situations including data transmissions, radios shall be configurable to employ the following levels of "politeness" on a channel:

- Polite to own Channel Code: The radio shall refrain from transmitting on a channel while the channel is "Busy" with other 6,25 kHz FDMA activity from radios using the same Channel Code.
- Impolite: The radio shall transmit on a channel regardless of any other activity (either 6,25 kHz FDMA or otherwise) already present on the channel.

## 10.4.3 CSF admit criteria

While a radio is partied to a voice call, it may transmit irrespective of whether the channel is "Idle" or "Busy" with 6,25 kHz FDMA activity pertaining to the same voice call but may not transmit if a Tx WAIT time has been invoked. However, for all other situations including data transmissions, radios shall be configurable to employ the following levels of "politeness" on a channel:

- Polite to own Group or Talkgroup: The radio shall refrain from transmitting on a channel while the channel is "Busy" with other 6,25 kHz FDMA activity from radios within its own group or talkgroup. For all other types of activity already present on the channel, the radio shall transmit regardless.
- Polite to own Channel Code: The radio shall refrain from transmitting on a channel while the channel is "Busy" with other 6,25 kHz FDMA activity from radios using the same Channel Code. For all other types of activity already present on the channel, the radio shall transmit regardless.
- Impolite: The radio shall transmit on a channel regardless of any other activity (either 6,25 kHz FDMA or otherwise) already present on the channel.

On a given channel, not all features may be supported the same level of politeness. So for example, voice transmissions may be configured to be "impolite" while packet data transmissions are configured to be "polite".

## 10.5 Transmission re-tries

Certain transmissions solicit responses and where these responses are not received (e.g. due to collisions, interference, etc.) the transmitting entity may repeat the original transmission a number of times either until the response is received or the transmitting entity gives up.

The waiting times for re-transmission and the maximum number of re-tries are defined in clause 10.6.

## 10.6 Channel access timers and constants

### 10.6.1 Timers

T\_ch\_chk: Channel check timer: 100 ms.

T\_ch\_free: Unsynchronizable activity timer: 200 ms.

T\_ack: Acknowledgement response time: 3 seconds.

T\_hang: Channel free timer: Programmable from 1 to 30 seconds. Default value 10 seconds.

## 10.6.2 Constants

Automatic repeats are permitted for acknowledgement (and nack) signalling.

A maximum of four such transmissions are permitted. The time between any such repeated signalling shall be in the range 300 ms to 500 ms.

# 11 Powersave

## 11.1 Transmitted format

Powersave is implemented by using a call set-up procedure of multiple repeated header frames, called Extended Header frames. Each of these extended header frames are numbered and count down to zero, so that radios sampling the channel can calculate exactly when the payload item or signalling will commence.

In the case of repeated headers for powersave use, the preamble used by each header shall be fixed at 72 bits.

These extended wake-up headers shall be coded according to clauses 5.2 and 5.10.

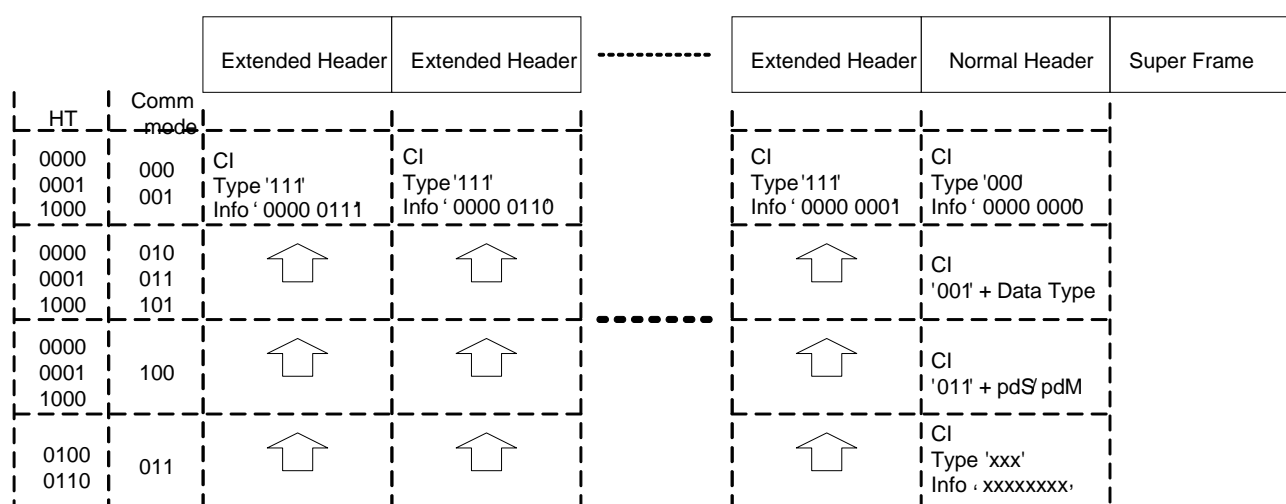
The 11 bits of Call Information (CI) are used as follows:

- CI Type = 111 (extended wake-up header).
- CI Information uses that last 4 bits to show how many header frames follow the current one:

**Table 11.1: Extended wake up header numbering**

Other		Reserved
0000	1111	Extended Header frame 15
-----	↓	-----
0000	0001	Extended Header frame 1
0000	0000	Normal header frame

Radios can be programmed to use up to 15 extended header frames for wake-up purposes. This will give a maximum response time of 1,2 seconds.



**Figure 12a: Extended header coding**

## 11.2 Receive format

Radio in standby (sleep) will be programmed to wake-up and monitor the channel at regular intervals. Each wake-up shall have a minimum duration of  $T_{ch\_chk}$  (clause 10.6.1). The intervals between successive wake-ups shall be dependent on the number of repeated header frames used in extended wake-up according to clause 11.1.

The maximum sampling interval between wake-ups shall be:

$$T_{sam} = (n - 1) \times 80 \text{ ms.}$$

Where  $T_{sam}$  is the sampling interval and  $n$  is the number of extended wake-up headers used.

If the radio wakes and there is no activity on the channel for the duration of  $T_{ch\_chk}$  it may return to sleep.

If the radio wakes and decodes the dPMR activity but the called station ID does not match it may return to sleep.

If the radio wakes and decodes the dPMR activity and the called station ID matches, it shall then be able to calculate from the CI information bits when the payload item or signalling will commence. Upon completion of the payload item or signalling the radio may return to sleep again.

## 12 Physical Layer

### 12.1 General parameters

The radio shall comply with the essential requirements as stated in EN 301 166-2 [1].

#### 12.1.1 Frequency range

The radio system operates within the RF frequency range of 446,100 MHz to 446,200 MHz as identified in ECC/DEC/(05)12 [i.1] or within the frequency band 149,01875 MHz to 149,11875 MHz.

#### 12.1.2 RF carrier bandwidth

The radio system operates within a 6,25 kHz RF carrier bandwidth.

#### 12.1.3 Transmit frequency error

The maximum transmit frequency error from the assigned RF carrier centre shall be within  $\pm 625$  Hz as stated in EN 301 166-2 [1].

#### 12.1.4 Time base clock drift error

The maximum time base clock drift error shall be  $\pm 2$  ppm. This error is the amount of clock drift that is acceptable during a transmission.

## 12.2 Modulation

### 12.2.1 Symbols

The modulation sends 2 400 symbols/sec with each symbol conveying 2 bits of information. The maximum deviation,  $D$ , of the symbol is defined as:

The maximum deviation,  $D$ , of the symbol is defined as:

$$D = 3h / 2T$$

Where:

- $h$  is the deviation index defined for the particular modulation; and
- $T$  is the symbol time (1 / 2 400) in seconds.

## 12.2.2 4FSK generation

This clause describes the characteristics of the constant-envelope modulation, entitled 4FSK.

### 12.2.2.1 Deviation index

The deviation index,  $h$ , for 4FSK is defined to be 0,29. This yields a symbol deviation of 1 050 Hz at the symbol centre. The mapping between symbols and bits is given below.

Information Bits Symbol Mapping to 4FSK Deviation.

**Table 12.1: FSK symbol mapping**

Information Bits		Symbol	4FSK Deviation
Bit 1	Bit 0		
0	1	+3	+1 050 Hz
0	0	+1	+350 Hz
1	0	-1	-350 Hz
1	1	-3	-1 050 Hz

## 12.2.2.2 Square root raised cosine filter

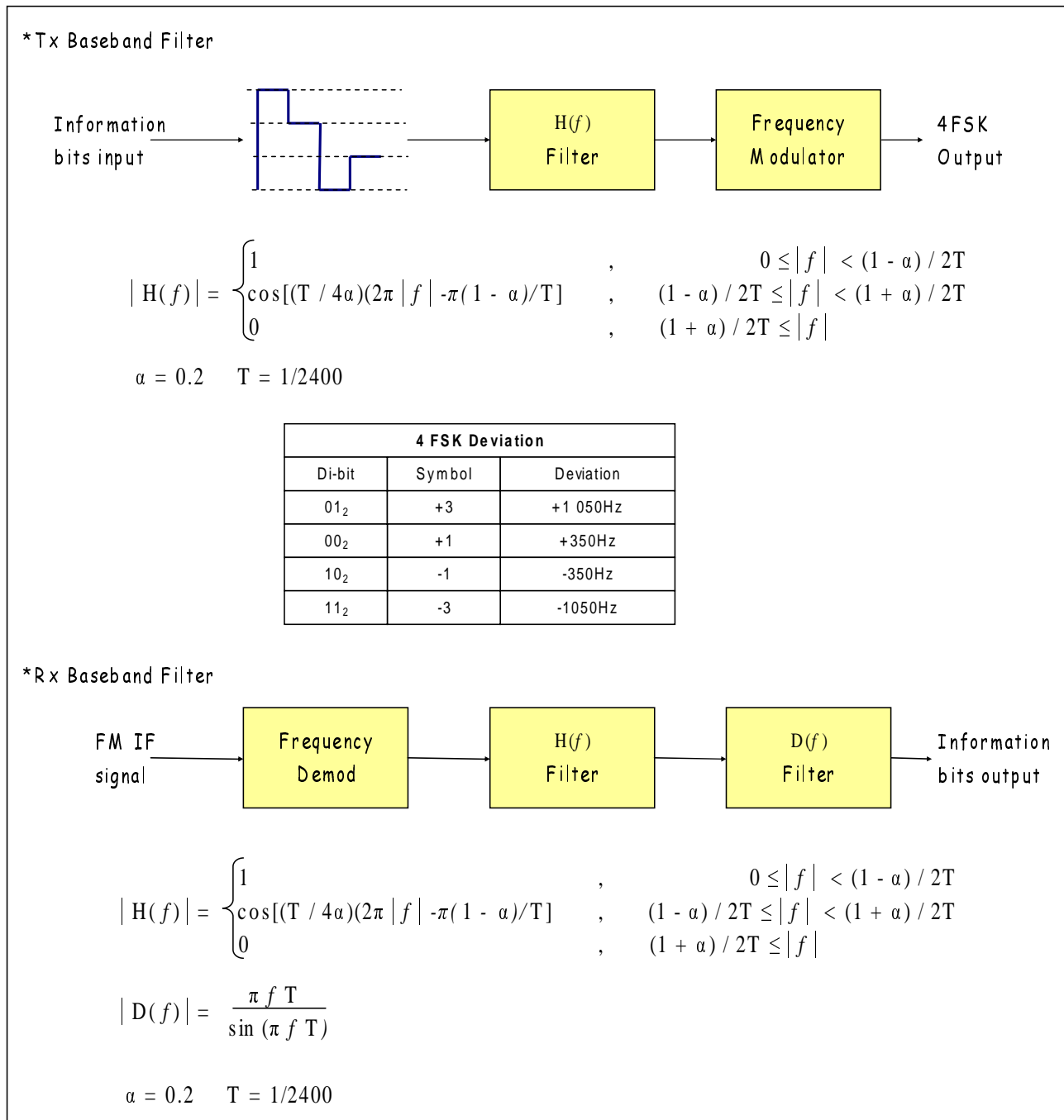
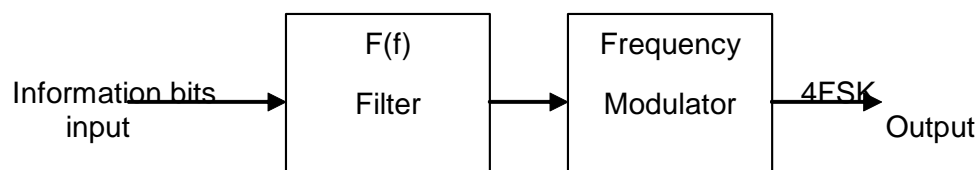


Figure 12b

### 12.2.2.3 4FSK Modulator

The 4FSK modulator consists of a Square Root Raised Cosine Filter, cascaded with a frequency modulator as shown in figure 13. The Square Root Raised Cosine Filter is described in clause 12.2.2.2.



**Figure 13: 4FSK Modulator**

---

## Annex A (normative): Standard User Interface for CSF radios

It is recognized that manufacturers of MSs will wish to exercise design independence in their products and, accordingly, the requirements of these annexes are only applicable to equipment where the manufacturer has declared compliance with the "Standard User Interface".

---

### A.1 Numbering and dialling plan

#### A.1.1 Introduction to the numbering and dialling plan

This annex is intended to:

- define the user visible numbering (User Interface domain); and
- dialling in a MS for accessing other MS(s) over the AI; and
- to describe how the visible user numbering and dial strings may be mapped on to the AI.

The Man Machine Interface (MMI) issues have been addressed in these annex only to the extent of those strictly related to numbering and dialling.

It should be ensured in the MS implementation, that no non-deterministic user input results in an ambiguous call set-up attempt over the Air Interface. For example, if a user inputs a dialled string of digits that is not assigned to any of the presented dialling algorithms, then the MS should not try to establish the call and appropriate feedback or alert should be given to the user.

As not to restrict manufacturer's independence, it is envisaged that dialling selection may be initiated in many ways. Some methods are:

- direct number entry via a keypad;
- mode selection buttons; and
- soft key menu selection.

The dialling method may vary according to the MS terminal type. This annex is applicable to MSs with a basic CCITT number keypad, as shown in figure A.1 and/or with a display capable of displaying the decimal numbers "0" to "9" and the keys "\*" and "#". However, manufacturers may employ other keypad layouts.

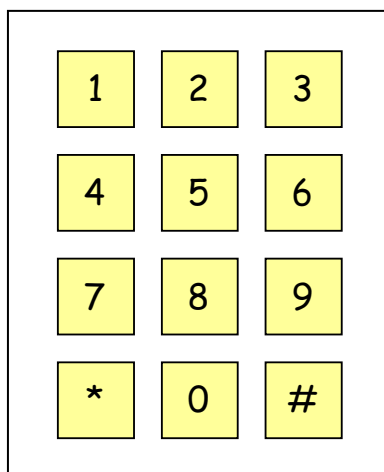


Figure A.1: CCITT keypad layout

The primary use for the keypad is to enable the user to select the destination address, the type of service, and to initiate calls from the MS. Certain other services may be requested by dialling "call modifier" strings prior to entering the destination address.

The user input in case of establishing a call is defined for the purposes of this annex as two sequential events:

- a) user dials digits; and
- b) user initiates call.

The call initiation is the event, which terminates the user input related to the digits and normally causes a call set-up. The call initiation event itself may be either when the user presses the "#" key or Push-To-Talk (PTT) or other method that may be manufacturer or implementation specific.

**NOTE:** This definition of the user input for call establishment is valid only for the cases when a user dials a number using the number keypad or selects a number e.g. from a list of predefined numbers. There may be methods to combine all the three events so that e.g. PTT causes a call establishment using a predefined dialling algorithm to a predefined address requiring no explicit dialling event.

Manufacturers may implement barring of certain types of call or restrict calls to certain addresses. However, such constraints are outside the scope of this annex.

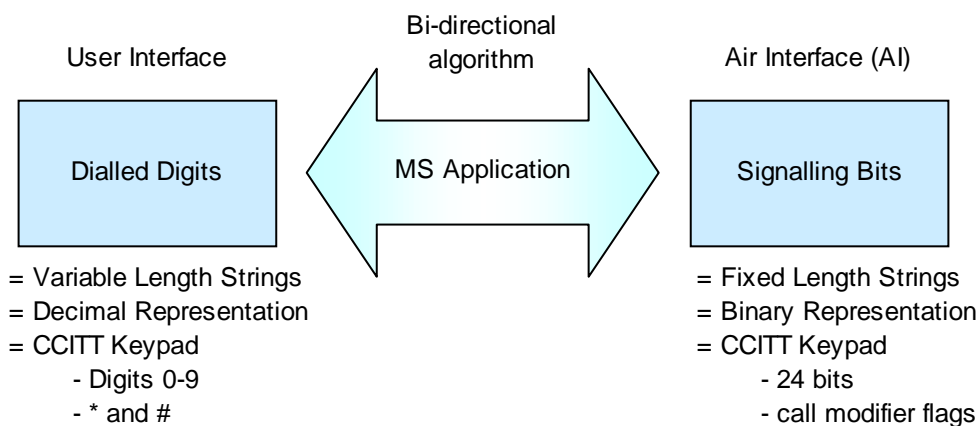
The MS may contain predefined parameters prescribing the minimum and maximum length of the user dial string. By limiting the length of the dialled string the address range the MS is able to dial is restricted. The minimum length parameter may be set according to the user needs, e.g. to disable accidental 1-digit dialling.

The (User Interface) address that an individual MS is assigned (its own address) may be defined by the dialled digits another MS would dial to reach that MS rather than the Air Interface binary number. If the algorithm specified in this annex were implemented, an MS individual address would be fully specified by seven decimal digits. Similarly, if a MS was personalized with one or more talkgroup addresses, they may be specified at the user interface by seven decimal digits.

## A.2 Subscriber mapping

### A.2.1 User Interface - Air Interface

Dialled digits are represented in decimal notation and utilize the numbers "0" to "9" and the keys "\*" and "#". For an MS fitted with a keypad, the "#" key may initiate a call (although other initiate methods may be implemented by a manufacturer). Dialled digits that represent a destination address are translated to a form for the Air Interface by a coding algorithm. This is illustrated in figure A.2.



**Figure A.2: Number conversion**



Address fields in the Air-Interface domain structure has a length of 24 bits.

The content of a 24-bit AI MS address field may represent:

- an MS individual address;
- an MS group address.

The Air Interface provides call services for voice and data. The AI also permits the call services to be modified. The application that converts the User Interface to the Air Interface recognizes the "call modifier" and request the lower layers to set appropriate bits in the PDUs carried between the entities. At the User Interface, the "call modifier" is indicated by preceding the destination address digits with additional "call modifier" digits.

### A.2.1.1 Mapping for MS address space

Each call is made to a numeric or non-numeric address (with "wildcards"). The mapping between the User-Interface domain and the Air Interface uses a reversible coding algorithm.

MS will establish the call type from analysis of the decoded Air Interface address. There are a number of methods by which a MS may distinguish between talkgroup and individual calls and these are described in the following clauses.

#### A.2.1.1.1 The concept of the wildcard character

The MS may discriminate a talkgroup call from an individual call by the use of the "wildcard".

In the User Interface domain structure, if the dialled string represents an MS address, and contains a "\*" in any of the four least significant characters, then that MS address represents a group of MSs. The "\*" character is the "wildcard" and represents all numeric values in that digit position, as defined in example 1 to 3.

EXAMPLE 1: The user dials "012345\*" means that the MS is addressing 10 separate MSs whose individual addresses are "0123450", "0123451", "0123452", "0123453", "0123454", "0123455", "0123456", "0123457", "0123458", and "0123459".

EXAMPLE 2: The user dials "01234\*6" means the MS is addressing 10 separate MSs whose individual addresses are "0123406", "0123416", "0123426", "0123436", "0123446", "0123456", "0123466", "0123476", "0123486", and "0123496".

EXAMPLE 3: Wildcards may be combined. The user dials "01234\*\*" represents 100 MSs in the range "0123400" to "0123499".

For operators who have no interest in this method of defining talkgroups, the "wildcard" feature may be disabled by MS programming.

#### A.2.1.1.2 The concept of stored parameters

The MS equipment may contain predefined parameters prescribing the MS addresses that will be interpreted as talkgroup addresses. These addresses may be stored as a list programmed during manufacture or before connecting an MS into service.

#### A.2.1.1.3 The concept of ad-hoc arrangement

The MS equipment may simply rely on a range of addresses that all equipment is known to be talkgroup addresses.

#### A.2.1.1.4 The rules for the sender

The MS codes the dialled user digits to a 24 bit Air Interface address by using the reversible algorithm  $B_2$ .

### A.2.1.1.5 The rules for the recipient

These rules determine whether a call is to a talkgroup or individual address and will be accepted by a MS. (All reference to MS in this clause refer to the recipient.)

MS receives a dPMR call.

MS uses the reverse of the  $B_2$  function specified in clause A.2.1.1.6.1 to translate the AI talkgroup address to the User Interface domain.

IF digits (User Interface)

contains a "\*" in any of the least significant four characters.

THEN

each digit received is compared with each corresponding digit of the MS individual address except where the received digit is a "\*". If there is a match on all applicable digits then this MS is party to the talkgroup call.

ELSE

(consists of numeric characters only).

THEN

EITHER

The string of digits received is compared with each corresponding string of talkgroup digits that the MS has stored (specifically indicating a talkgroup).

If there is a match then this MS is party to the talkgroup call.

OR

The string of digits received is compared with each corresponding string of individual address digits that the MS has stored.

If there is a match then this MS is party to the individual call.

ENDIF

### A.2.1.1.6 Mapping of dialled strings to the AI address space

A MS address is a 7-character numeric string in the range "0000001" to "999\*\*\*\*", these characters are mapped to the Air Interface domain structure bits by the reversible function  $B_2$ .

Addresses may consist of all numeric characters (but the MS must be able to ascertain the address is a talkgroup address rather than an individual address). Alternatively any of the last four characters may contain one or more "\*" characters that explicitly signifies the address is a talkgroup address.

#### A.2.1.1.6.1 Mapping of numeric dialled strings to the AI address space

**Table A.1: Dialable address mapping by  $B_2$**

Character							$B_2$	Air Interface ID
1	2	3	4	5	6	7		24 bits
$K_1$	$K_2$	$K_3$	$K_4$	$K_5$	$K_6$	$K_7$		

$K_1, K_2, K_3$  represent decimal symbols in the range 0 to 9.

$K_4, K_5, K_6, K_7$  represent symbols to base 11 using the digits 0,1,2,3,4,5,6,7,8,9,\*.

The "\*" is a symbol that has the value of 10.

The six least significant user dialled digits  $K_2$  to  $K_7$  in the range "000001" to "999999" are converted to the 20 least significant 20 bits of the AI ID using true decimal to binary conversion. The most significant user dialled digit  $K_1$  is converted to the most significant 4 bits of the AI ID using a true decimal to binary conversion.

$$B_2 = \sum K_1 * 1464100, K_2 * 146410, K_3 * 14641, K_4 * 1331, K_5 * 121, K_6 * 11, K_7$$

The following steps are needed to convert the dialled digits to an ID in the AI domain:

- a) take the first digit (0 to 9) and multiply by 1 464 100;
- b) take the second digit (0 to 9), multiply by 146 410;
- c) take the third digit (0 to 9) and multiply by 14 641;
- d) take the fourth digit (0 to 9) or \* (\* has a value of 10) and multiply by 1 331;
- e) take the fifth digit (0 to 9) or \* (\* has a value of 10) and multiply by 121;
- f) take the sixth digit (0 to 9) or \* (\* has a value of 10) and multiply by 11;
- g) take the seventh digit (0 to 9) or \* (\* has a value of 10);
- h) add c) to i); and
- i) convert the sum to a 24-bit binary number.

Examples are shown in table A.2.

**Table A.2: Examples of address translation**

User-Interface	Air-Interface (Hex)	Air Interface (Binary)
1234567	1B91FD <sub>16</sub>	0001 1011 1001 0001 1111 1101 <sub>2</sub>
468956*	68BF08 <sub>16</sub>	0110 1000 1011 1111 0000 1000 <sub>2</sub>
012345*	02C00A <sub>16</sub>	0000 0010 1100 0000 0000 1010 <sub>2</sub>
0123460	02C00B <sub>16</sub>	0000 0010 C000 0000 0000 1011 <sub>2</sub>
999****	DF6767 <sub>16</sub>	1101 1111 0110 0111 0110 0111 <sub>2</sub>

## A.2.2 Addresses

An MS is pre-programmed with at least one individual identity.

An MS is permitted to have multiple individual identities and one or more talkgroup identities.

Where an MS has more than one individual identity then one of these shall be assigned as the primary individual identity. This primary individual identity is the one that shall be used for all forms of abbreviated or masked dialling (clauses A.3.4.1.2 and A.3.4.1.3).

An MS may contain a list of talkgroup identities, which may be pre-programmed or dynamically updated (manually or over the AI).

The User Interface domain maps to the AI address space by the  $B_2$  algorithm.

## A.2.3 Conversion rules

### A.2.3.1 MS addresses

An MS address in the User-Interface structure is defined as 7 characters of which for an individual MS address contain the characters "0" to "9". For a talkgroup address the three most significant contain the characters "0" to "9" and least significant four characters contain the characters "0" to "9" or "\*".

### A.2.3.2 Limiting the length of the destination address

The MS equipment may contain predefined parameters prescribing the minimum and maximum length of the user dial string. By limiting the length of the dialled string, the address range that the MS is able to dial is restricted.

### A.2.3.3 All talkgroup address

The All Call dialled string "n\*\*\*\*\*" (All Call within a prefix) is mapped as shown in table A.3.

**Table A.3: Mapping of prefixed All Call to the AI**

User dialled string	Air Interface ID	Meaning
"0*****"	F8 33 9C <sub>16</sub>	All Talkgroup ID0
"1*****"	F8 33 9D <sub>16</sub>	All Talkgroup ID1
etc.	etc.	etc.
"9*****"	F8 33 A5 <sub>16</sub>	All Talkgroup ID9

The All Call dialled string: "\*\*\*\*\*" is mapped to the All Talkgroup ID10 and addresses all MSs irrespective of their prefix.

**Table A.4: Mapping of all prefix call to the AI**

User dialled string	Air Interface ID	Remark
"*****"	F8 33 A6 <sub>16</sub>	All Talkgroup ID10

---

## A.3 User dialling plan

### A.3.1 User numbering

All dialled strings, as defined in the clause A.3 of the present document, are read from left to right and are dialled in the sequence in which they are read. Throughout this clause all representations of dialled strings are underlined.

MSs may only be required to dial sufficient numbers of characters unambiguously define the destination and service required.

#### A.3.1.1 Dialling method

To maximize channel utilization, the user should enter a string of digits and then press a button to initiate the call.

The "#" key or a dedicated "send" key is used to initiate the call. The "#" key has an additional purpose of modifying the call type or priority.

#### A.3.1.2 Call Type determination

Underlying signalling and system functionality is hidden from the user. MSs determine the call type and function from the length and content of the dialled string.

### A.3.1.3 Call modifier strings

Dialled strings that commence with a hash "#" provide secondary uses for the keypad.

Secondary dialling functions may be as follows:

- Status Call;
- Broadcast Call.

Secondary dialling is achieved by the use of call modifier strings in front of the dialled number. These call modifier sequences utilize the "#" and "\*" keys.

### A.3.2 Dialled digits to address mapping

The User-Interface employs 11 symbols "0" to "9" and "\*" and "#".

In the User-Interface domain structure, if the string represents an MS address, and contains a "\*" in any of the four least significant characters, then that MS address represents a group of MSs.

The length of destination MS address dialled digits is in the range from 1 to 7, and is interpreted as the right most digits of the recipient's number. The MSs individual address is used as a base address, and the right-most digits of that number are replaced by the user dialled digits, as shown in example 1 and 2. The resulting number is then converted to the AI ID using the algorithm presented in the annex A.

EXAMPLE 1: An MS whose individual address is "1234567" (in the user domain), dials "43".

MS source address	1	2	3	4	5	6	7
Dialled destination						4	3
Full destination address, see note	1	2	3	4	5	4	3
NOTE: Destination address after processing.							

EXAMPLE 2: This example is a call to a talkgroup, described in clause A.2.1.2.1.

MS source address	1	2	3	4	5	6	*
Dialled destination							*
Full destination address, see note	1	2	3	4	5	6	*
NOTE: Destination address after processing.							

### A.3.3 Storage requirements

#### A.3.3.1 MS individual address

An MS is allocated a numeric address in the range in the range "0000001" to "9999999", see note. MSs may be programmed with more than one individual address.

NOTE: The addresses "1000000", "2000000", "3000000", "4000000", "5000000", "6000000", "7000000", "8000000", and "9000000" are not valid.

### A.3.3.2 Dialed Talkgroups

Talkgroups may be both all numeric numbers, or contain a "\*" in any of the least significant four digits.

xxxxxx\* is valid

xxxxx\*\* is valid

xxxx\*\*\* is valid

xxx\*\*\*\* is valid

All other combinations in the least significant four digits of the dialled string such as xxxxx\*x are invalid.

### A.3.3.3 All MSs

All units respond to All MSs address "\*\*\*\*\*#".

All units with prefix "n" respond to the prefixed All MS address "n\*\*\*\*\*#" with n=0 to 9.

See clause A.2.3.3 of the present document for the mapping of MS dialled digits "n\*\*\*\*\*#".

### A.3.3.4 Non-dialable numbers

MS Address's "0000000", "1000000", "2000000", "3000000", "4000000", "5000000", "6000000", "7000000", "8000000", "9000000" are not dialable. If the user inputs a dialled string of digits that is not assigned to any of the dialling algorithms, then the MS should not try to establish the call and appropriate feedback given to the user.

### A.3.3.5 Talkgroup recognition

#### A.3.3.5.1 All numeric talkgroups

Each MS has storage allocated for numeric talkgroup addresses. The table is populated during MS personalization by the user. The sender (MS) may use entries in this table to establish that the destination address is a talkgroup rather than an individual address.

The talkgroup table contains entries consisting of the full talkgroup address consisting of 7 characters as shown in the example.

**EXAMPLE:** The sender (MS) whose individual address is "1234561" has the destination "1234567" stored in its talkgroup table. The user enters a single digit "7" as the destination address.

The full destination address is formed from the dialled digit(s) and the MS own individual address.

MS source address	1	2	3	4	5	6	1
Dialled destination							7
Full (Talkgroup), see note	1	2	3	4	5	6	7
NOTE: Destination address after processing.							

The talkgroup table is searched for a match. In this example there is a match so the destination address is a talkgroup addresses

#### A.3.3.5.2 Talkgroups defined by wildcards

The dialled string is examined by the initiating MS. If the destination is identified as a talkgroup because the address contains a "wildcard" character in one of the four least significant digits then call set-up procedure is to a talkgroup as shown in the example. Abbreviated dialling minimizes the number of dialled digits. An advantage of using "wildcard" to define talkgroups is that no pre-arrangement is necessary, i.e. there is no need for a talkgroup table or other MS configuration to recognize an address as a talkgroup.

EXAMPLE:

MS source address	1	2	3	4	5	6	1
Dialled destination							*
Full destination address, see note	1	2	3	4	5	6	*
NOTE: Destination address after processing.							

### A.3.3.5.3 MS receives a talkgroup call

The recipient MS applies the reverse  $B_2$  to recover the dialled digits  $K_1$  to  $K_7$ .

- If the received digits contain a "\*" in the digits  $K_4$  to  $K_7$  then:
  - each digit is compared in turn with the corresponding digit of the MS individual identity looking for a match. If an "\*" is encountered then a match for that digit is assumed.
- If the received digits are all numeric then:
  - the digits  $K_1$  to  $K_7$  are compared with each of the entries in the talkgroup table looking for a match (after each entry in the table has been expanded to the full 7 address digits as described in clause A.3.3.5.1).

A match must exist for the MS to respond to the talkgroup call.

## A.3.4 Dialling procedures

### A.3.4.1 MS calls

#### A.3.4.1.1 Seven digit dialling

The user may enter the whole seven digit address to complete the dialled string prior to transmission.

These seven digits may also contain wildcards.

#### A.3.4.1.2 Abbreviated dialling

Where abbreviated keypad dialling is used in the MS, the MS should insert the more significant characters from the MS individual address to complete the dialled string prior to transmission.

Those digits entered may also include wildcards.

If all digits are not dialled the more significant digits from the MS individual address are copied to the dialled string to build a seven digit address so:

For the MS individual address "2112345":

- if the user dials 6#, the destination address shall be 2112346;
- if the user dials 56#, the destination address shall be 2112356;
- if the user dials 958#, the destination address shall be 2112958;
- if the user dials 1385#, the destination address shall be 2111385;
- if the user dials 13\*5#, the destination address shall be 21113\*5 (talkgroup).

(The double underlined characters represent those that have been copied from the MS individual address).

At the Air Interface the calling party address is transferred to the called party. The abbreviated dialling may be applied to display only an abbreviated calling party address on the display of the called party:

- a) The calling party dials a single digit "2".
- b) The MS inserts the more significant digits from its individual address to complete the dialled string prior to transmission - i.e. the destination address becomes "1234562".
- c) The called and calling party addresses are passed across the Air Interface.
- d) The "B" party decodes the called party address and there is a match and the "B" party receives the call.
- e) The "B" party decodes the calling party address and may display only an abbreviated digit(s). In this case a single digit "1".

The abbreviated display is sufficient for the "B" party to know who has called because the "B" party could call the "A" party by the same abbreviated dialling.

By using abbreviated dialling, the dPMR dialling plan is appropriate for the smallest and largest fleets.

### A.3.4.1.3 Masked dialling

The number of digits of a dialling string that can be entered may be restricted by MS programming to restrict the number range accessible from the user interface. For example the user interface could mask the most significant digit of an address to prevent the MS from reaching other MSs outside its own prefix.

Where masked dialling is used in the MS, the MS shall insert the characters from its own individual address that correspond to the each of the blocked positions to complete the dialled string prior to transmission.

Masked dialling may also be used in conjunction with abbreviated dialling.

Those digits entered may also include wildcards.

EXAMPLE:

For the MS individual address of 3456789.

The dialling string entry mask is [X] [X] [X] [X] [ ] [ ] [ ]

The user may only enter digits in those positions not marked with an X.

- If the user enters 888# then the resulting dialling string will be 3456888.
- If the user enters 8# then the resulting dialling string will be 3456788.
- If the user enters 88\*# then the resulting dialling string will be 345688\* (Talkgroup call).

### A.3.4.2 Call modifiers

Functions such as the modification of call requests to change to type of service request, and the implementation of other facilities (status, broadcast, etc.), are initiated using the syntax in the following clauses. The call modifier is defined by the dialled string by adding extra digits to the dialled destination in the form.

# <call modifier code> \* destination as defined in clauses A.3.4.3.1 to A.3.4.3.7.

**Table A.5: Summary of call modifiers**

Dialled Digits	Call Modifier
#1*nn...#	Broadcast call, clause A.3.4.2.1
#0ss*nn...#	Status call, clause A.3.4.2.2
#6*nnn..#	Force talkgroup service, clause A.3.4.2.3



#### A.3.4.2.1 Broadcast call

The MS shall set-up a broadcast call to the destination talkgroup nn by dialling "#1\*nn#".

**The broadcast call shall be a normal group call but with the Communications Format set to "Call All (Broadcast)".**

EXAMPLE 1: "#1\*112345\*#" should make a broadcast talkgroup call to MS address "112345\*".

NOTE: The dialled string "#1\*nnn". "#" should generate an error if the address is not a talkgroup address.

EXAMPLE 2: If the MS calling party address is "1234567". "#1\*#" should make a broadcast talkgroup call to "123456\*" (i.e. to "1234560", "1234561", etc., "1234569").

#### A.3.4.2.2 Status call

The string "#0ss\*nnn#" causes the MS to set up a status call to the destination address nnn. The status digits "ss" are numeric in the range 0 to 31.

The status call shall have the Header frame + End frame format of a status response call.

Entry of a status value of greater than 31 shall generate an error warning to the user.

#### A.3.4.2.3 Force talkgroup service

The string "#6\*nnn.#" causes the MS to set up a talkgroup call to destination talkgroup nnn. where nnn. is a numeric string of length from 1 to 7 digits.

EXAMPLE: To make a talkgroup call from MS 1122345 to talkgroup MSs 1122356 dial "#6\*1122356#". In this case dialling "#6\*56#" would achieve the same result.

#### A.3.4.3 Call set-up abandon or call complete

## may be dialled after digits and a terminator have been entered on the keyboard. If the radio unit has not transmitted a call request, it shall abandon the call.

---

## History

<b>Document history</b>		
V1.1.1	December 2005	Publication
V1.2.1	August 2006	Publication
V1.3.1	April 2007	Publication
V1.4.1	July 2008	Publication
V1.5.1	September 2009	Publication
V1.6.1	August 2010	Publication
V1.7.1	February 2013	Publication