

ETSI EN 301 908-14 V5.2.1 (2011-05)

Harmonized European Standard

**IMT cellular networks;
Harmonized EN covering the essential requirements
of article 3.2 of the R&TTE Directive;
Part 14: Evolved Universal Terrestrial Radio Access (E-UTRA)
Base Stations (BS)**



Reference

REN/MSG-TFES-008-14

Keywords

3G, 3GPP, cellular, digital, IMT, IMT-2000, mobile, radio, regulation, UMTS, E-UTRA, LTE

ETSI

650 Route des Lucioles
F-06921 Sophia Antipolis Cedex - FRANCE

Tel.: +33 4 92 94 42 00 Fax: +33 4 93 65 47 16

Siret N° 348 623 562 00017 - NAF 742 C
Association à but non lucratif enregistrée à la
Sous-Préfecture de Grasse (06) N° 7803/88

Important notice

Individual copies of the present document can be downloaded from:

<http://www.etsi.org>

The present document may be made available in more than one electronic version or in print. In any case of existing or perceived difference in contents between such versions, the reference version is the Portable Document Format (PDF). In case of dispute, the reference shall be the printing on ETSI printers of the PDF version kept on a specific network drive within ETSI Secretariat.

Users of the present document should be aware that the document may be subject to revision or change of status. Information on the current status of this and other ETSI documents is available at

<http://portal.etsi.org/tb/status/status.asp>

If you find errors in the present document, please send your comment to one of the following services:

http://portal.etsi.org/chaicor/ETSI_support.asp

Copyright Notification

No part may be reproduced except as authorized by written permission.
The copyright and the foregoing restriction extend to reproduction in all media.

© European Telecommunications Standards Institute 2011.
All rights reserved.

DECT™, **PLUGTESTS™**, **UMTS™**, **TIPHON™**, the TIPHON logo and the ETSI logo are Trade Marks of ETSI registered for the benefit of its Members.

3GPP™ is a Trade Mark of ETSI registered for the benefit of its Members and of the 3GPP Organizational Partners.

LTE™ is a Trade Mark of ETSI currently being registered

for the benefit of its Members and of the 3GPP Organizational Partners.

GSM® and the GSM logo are Trade Marks registered and owned by the GSM Association.

Contents

Intellectual Property Rights	6
Foreword.....	6
Introduction	7
1 Scope	8
2 References	8
2.1 Normative references	8
2.2 Informative references.....	9
3 Definitions, symbols and abbreviations	9
3.1 Definitions.....	9
3.2 Symbols.....	11
3.3 Abbreviations	12
4 Technical requirements specifications	13
4.1 Environmental profile.....	13
4.2 Conformance requirements	13
4.2.1 Introduction.....	13
4.2.2 Operating band unwanted emissions	14
4.2.2.1 Definition	14
4.2.2.2 Limits	15
4.2.2.2.1 Limits for Wide Area BS (Bands 1, 3, 8, 33 and 34).....	15
4.2.2.2.2 Limits for Wide Area BS (Bands 7 and 38).....	16
4.2.2.2.3 Limits for Wide Area BS (Band 20).....	17
4.2.2.2.4 Limits for Local Area BS	17
4.2.2.2.5 Limits for Home BS	18
4.2.2.2.6 Limits for protection of DTT	19
4.2.2.2.7 Limits for protection of adjacent band services	19
4.2.2.3 Conformance.....	19
4.2.3 Adjacent Channel Leakage power Ratio (ACLR)	20
4.2.3.1 Definition	20
4.2.3.2 Limits	20
4.2.3.3 Conformance.....	21
4.2.4 Transmitter spurious emissions.....	21
4.2.4.1 Definition	21
4.2.4.2 Limits	22
4.2.4.2.1 Spurious emissions	22
4.2.4.2.2 Co-existence with other systems	22
4.2.4.2.3 Protection of the BS receiver of own or different BS.....	24
4.2.4.2.4 Co-existence with Home BS operating in other bands	24
4.2.4.3 Conformance.....	24
4.2.5 Base Station maximum output power	24
4.2.5.1 Definition	24
4.2.5.2 Limit.....	24
4.2.5.3 Conformance.....	25
4.2.6 Transmitter intermodulation	25
4.2.6.1 Definition	25
4.2.6.2 Limit.....	25
4.2.6.3 Conformance.....	26
4.2.7 Receiver spurious emissions	26
4.2.7.1 Definition	26
4.2.7.2 Limit.....	26
4.2.7.3 Conformance.....	26
4.2.8 Blocking characteristics	26
4.2.8.1 Definition	26
4.2.8.2 Limit.....	27

4.2.8.3	Conformance	28
4.2.9	Receiver intermodulation characteristics	28
4.2.9.1	Definition	28
4.2.9.2	Limit	29
4.2.9.3	Conformance	31
4.2.10	Adjacent Channel Selectivity (ACS) and narrow-band blocking	31
4.2.10.1	Definition	31
4.2.10.2	Limit	31
4.2.10.3	Conformance	34
4.2.11	Home BS output power for adjacent UTRA channel protection	34
4.2.11.1	Definition	34
4.2.11.2	Limit	34
4.2.11.3	Conformance	35
4.2.12	Home BS output power for adjacent E-UTRA channel protection	35
4.2.12.1	Definition and applicability	35
4.2.12.2	Limit	35
4.2.12.3	Conformance	36
5	Testing for compliance with technical requirements	36
5.1	Environmental conditions for testing	36
5.2	Interpretation of the measurement results	37
5.3	Essential radio test suites	38
5.3.1	Operating band unwanted emissions	38
5.3.1.1	Initial conditions	38
5.3.1.2	Procedure	38
5.3.2	Adjacent Channel Leakage power Ratio (ACLR)	38
5.3.2.1	Initial conditions	38
5.3.2.2	Procedure	39
5.3.3	Transmitter spurious emissions	39
5.3.3.1	Initial conditions	39
5.3.3.2	Procedure	39
5.3.4	Base Station maximum output power	39
5.3.4.1	Initial conditions	39
5.3.4.2	Procedure	40
5.3.5	Transmitter intermodulation	40
5.3.5.1	Initial conditions	40
5.3.5.2	Procedures	40
5.3.6	Receiver spurious emissions	41
5.3.6.1	Initial conditions	41
5.3.6.2	Procedure	41
5.3.7	Blocking characteristics	41
5.3.7.1	Initial conditions	41
5.3.7.2	Procedure	42
5.3.8	Receiver intermodulation characteristics	42
5.3.8.1	Initial conditions	42
5.3.8.2	Procedures	42
5.3.9	Adjacent Channel Selectivity (ACS) and narrow-band blocking	42
5.3.9.1	Initial conditions	42
5.3.9.2	Procedure for Adjacent Channel Selectivity	43
5.3.9.3	Procedure for narrow-band blocking	43
5.3.10	Home BS output power for adjacent channel protection	43
5.3.10.1	Initial conditions	43
5.3.10.2	Procedure	43
5.3.11	Home BS output power for adjacent E-UTRA channel protection	44
5.3.11.1	Initial conditions	44
5.3.11.2	Procedure	44
Annex A (normative):	HS Requirements and conformance Test specifications Table (HS-RTT)	46
Annex B (normative):	Base Station configurations	48
B.1	Receiver diversity	48

B.2	Duplexers	48
B.3	Power supply options	48
B.4	Ancillary RF amplifiers.....	49
B.5	BS using antenna arrays	49
B.5.1	Receiver tests.....	50
B.5.2	Transmitter tests	50
B.6	Transmit diversity and MIMO transmission	50
B.7	BS with integrated Iuant BS modem.....	51
Annex C (informative):	Environmental profile specification	52
Annex D (informative):	The EN title in the official languages	53
Annex E (informative):	Bibliography.....	54
History		55

Intellectual Property Rights

IPRs essential or potentially essential to the present document may have been declared to ETSI. The information pertaining to these essential IPRs, if any, is publicly available for **ETSI members and non-members**, and can be found in ETSI SR 000 314: *"Intellectual Property Rights (IPRs); Essential, or potentially Essential, IPRs notified to ETSI in respect of ETSI standards"*, which is available from the ETSI Secretariat. Latest updates are available on the ETSI Web server (<http://webapp.etsi.org/IPR/home.asp>).

Pursuant to the ETSI IPR Policy, no investigation, including IPR searches, has been carried out by ETSI. No guarantee can be given as to the existence of other IPRs not referenced in ETSI SR 000 314 (or the updates on the ETSI Web server) which are, or may be, or may become, essential to the present document.

Foreword

This Harmonized European Standard (EN) has been produced by ETSI Technical Committee Mobile Standards Group (MSG).

The present document has been produced by ETSI in response to mandate M/284 from the European Commission issued under Council Directive 98/34/EC [i.1] (as amended) laying down a procedure for the provision of information in the field of technical standards and regulations.

The title and reference to the present document are intended to be included in the publication in the Official Journal of the European Union of titles and references of Harmonized Standard under the Directive 1999/5/EC [i.2].

See article 5.1 of Directive 1999/5/EC [i.2] for information on presumption of conformity and Harmonised Standards or parts thereof the references of which have been published in the Official Journal of the European Union.

The requirements relevant to Directive 1999/5/EC [i.2] are summarised in annex A.

The present document is part 14 of a multi-part deliverable covering the essential requirements under article 3.2 of Directive 1999/5/EC [i.2] (R&TTE Directive) for Base Stations (BS), Repeaters and User Equipment (UE) for IMT cellular networks, as identified below:

- Part 1: "Introduction and common requirements";
- Part 2: "CDMA Direct Spread (UTRA FDD) User Equipment (UE)";
- Part 3: "CDMA Direct Spread (UTRA FDD) Base Stations (BS)";
- Part 4: "CDMA Multi-Carrier (cdma2000) User Equipment (UE)";
- Part 5: "CDMA Multi-Carrier (cdma2000) Base Stations (BS)";
- Part 6: "CDMA TDD (UTRA TDD) User Equipment (UE)";
- Part 7: "CDMA TDD (UTRA TDD) Base Stations (BS)";
- Part 8: "Harmonized EN for IMT-2000, TDMA Single-Carrier (UWC 136) (UE) covering essential requirements of article 3.2 of the R&TTE Directive";
- Part 9: "Harmonized EN for IMT-2000, TDMA Single-Carrier (UWC 136) (BS) covering essential requirements of article 3.2 of the R&TTE Directive";
- Part 10: "Harmonized EN for IMT-2000, FDMA/TDMA (DECT) covering essential requirements of article 3.2 of the R&TTE Directive";
- Part 11: "CDMA Direct Spread (UTRA FDD) (Repeaters)";
- Part 12: "Harmonized EN for IMT-2000, CDMA Multi-Carrier (cdma2000) (Repeaters) covering the essential requirements of article 3.2 of the R&TTE Directive";
- Part 13: "Evolved Universal Terrestrial Radio Access (E-UTRA) User Equipment (UE)";

Part 14: "Evolved Universal Terrestrial Radio Access (E-UTRA) Base Stations (BS)";

Part 15: "Evolved Universal Terrestrial Radio Access (E-UTRA) (FDD Repeaters)";

Part 16: "Harmonized EN for IMT-2000, Evolved CDMA Multi-Carrier Ultra Mobile Broadband (UMB) (UE) covering the essential requirements of article 3.2 of the R&TTE Directive";

Part 17: "Harmonized EN for IMT-2000, Evolved CDMA Multi-Carrier Ultra Mobile Broadband (UMB) (BS) covering the essential requirements of article 3.2 of the R&TTE Directive";

Part 18: "E-UTRA, UTRA and GSM/EDGE Multi-Standard Radio (MSR) Base Station (BS)";

Part 19: "OFDMA TDD WMAN (Mobile WiMAX) TDD User Equipment (UE)";

Part 20: "OFDMA TDD WMAN (Mobile WiMAX) TDD Base Station (BS)";

Part 21: "OFDMA TDD WMAN (Mobile WiMAX) FDD User Equipment (UE)";

Part 22: "OFDMA TDD WMAN (Mobile WiMAX) FDD Base Stations (BS)".

National transposition dates

Date of adoption of this EN:	12 April 2011
Date of latest announcement of this EN (doa):	31 July 2011
Date of latest publication of new National Standard or endorsement of this EN (dop/e):	31 January 2012
Date of withdrawal of any conflicting National Standard (dow):	31 January 2013

Introduction

The present document is part of a set of standards developed by ETSI and is designed to fit in a modular structure to cover all radio and telecommunications terminal equipment within the scope of the R&TTE Directive [i.2]. The modular structure is shown in EG 201 399 [i.3].

1 Scope

The present document applies to the following radio equipment type:

- Base Station for Evolved Universal Terrestrial Radio Access (E-UTRA).

This radio equipment type is capable of operating in all or any part of the operating bands given in table 1-1.

Table 1-1: E-UTRA Base Station operating bands

E-UTRA band	Direction of transmission	E-UTRA Base Station operating bands
1	Transmit	2 110 MHz to 2 170 MHz
	Receive	1 920 MHz to 1 980 MHz
3	Transmit	1 805 MHz to 1 880 MHz
	Receive	1 710 MHz to 1 785 MHz
7	Transmit	2 620 MHz to 2 690 MHz
	Receive	2 500 MHz to 2 570 MHz
8	Transmit	925 MHz to 960 MHz
	Receive	880 MHz to 915 MHz
20	Transmit	791 MHz to 821 MHz
	Receive	832 MHz to 862 MHz
33	Transmit and Receive	1 900 MHz to 1 920 MHz
34	Transmit and Receive	2 010 MHz to 2 025 MHz
38	Transmit and Receive	2 570 MHz to 2 620 MHz

The present document covers requirements for E-UTRA Base Stations for Release 8 and 9.

The present document is intended to cover the provisions of Directive 1999/5/EC [i.2] (R&TTE Directive), article 3.2, which states that "..... radio equipment shall be so constructed that it effectively uses the spectrum allocated to terrestrial/space radio communications and orbital resources so as to avoid harmful interference".

In addition to the present document, other ENs that specify technical requirements in respect of essential requirements under other parts of article 3 of the R&TTE Directive [i.2] may apply to equipment within the scope of the present document.

NOTE: A list of such ENs is included on the web site <http://www.newapproach.org>.

2 References

References are either specific (identified by date of publication and/or edition number or version number) or non-specific. For specific references, only the cited version applies. For non-specific references, the latest version of the reference document (including any amendments) applies.

Referenced documents which are not found to be publicly available in the expected location might be found at <http://docbox.etsi.org/Reference>.

NOTE: While any hyperlinks included in this clause were valid at the time of publication ETSI cannot guarantee their long term validity.

2.1 Normative references

The following referenced documents are necessary for the application of the present document.

- [1] ETSI EN 301 908-1 (V5.2.1): "IMT cellular networks; Harmonized EN covering the essential requirements of article 3.2 of the R&TTE Directive; Part 1: Introduction and common requirements".
- [2] ETSI TS 136 141 (V9.6.0): "LTE; Evolved Universal Terrestrial Radio Access (E-UTRA); Base Station (BS) conformance testing (3GPP TS 36.141 version 9.6.0 Release 9)".

- [3] Void.
- [4] ITU-R Recommendation SM.329-10 (2003): "Unwanted emissions in the spurious domain".
- [5] ETSI TS 125 104 (V9.6.0): "Universal Mobile Telecommunications System (UMTS); Base Station (BS) radio transmission and reception (FDD) (3GPP TS 25.104 version 9.6.0 Release 9)".
- [6] ETSI TS 125 105 (V9.2.0): "Universal Mobile Telecommunications System (UMTS); Base Station (BS) radio transmission and reception (TDD) (3GPP TS 25.105 version 9.2.0 Release 9)".
- [7] ETSI TS 136 104 (V9.6.0): "LTE; Evolved Universal Terrestrial Radio Access (E-UTRA); Base Station (BS) radio transmission and reception (3GPP TS 36.104 version 9.6.0 Release 9)".
- [8] ETSI TS 125 141 (V9.6.0): "Universal Mobile Telecommunications System (UMTS); Base Station (BS) conformance testing (FDD) (3GPP TS 25.141 version 9.6.0 Release 9)".
- [9] ETSI EN 301 908-18 (V5.2.1): "IMT cellular networks; Harmonized EN covering the essential requirements of article 3.2 of the R&TTE Directive; Part 18: E-UTRA, UTRA and GSM/EDGE Multi-Standard Radio (MSR) Base Station (BS)".
- [10] ETSI TS 136 211 (V9.1.0): "LTE; Evolved Universal Terrestrial Radio Access (E-UTRA); Physical channels and modulation (3GPP TS 36.211 version 9.1.0 Release 9)".

2.2 Informative references

The following referenced documents are not necessary for the application of the present document but they assist the user with regard to a particular subject area.

- [i.1] Directive 98/34/EC of the European Parliament and of the Council of 22 June 1998 laying down a procedure for the provision of information in the field of technical standards and regulations.
- [i.2] Directive 1999/5/EC of the European Parliament and of the Council of 9 March 1999 on radio equipment and telecommunications terminal equipment and the mutual recognition of their conformity (R&TTE Directive).
- [i.3] ETSI EG 201 399: "Electromagnetic compatibility and Radio spectrum Matters (ERM); A guide to the production of Harmonized Standards for application under the R&TTE Directive".
- [i.4] ETSI TR 102 215 (V1.3.1): "Electromagnetic compatibility and Radio spectrum Matters (ERM); Recommended approach, and possible limits for measurement uncertainty for the measurement of radiated electromagnetic fields above 1 GHz".
- [i.5] ETSI TR 100 028 (all parts) (V1.4.1): "Electromagnetic compatibility and Radio spectrum Matters (ERM); Uncertainties in the measurement of mobile radio equipment characteristics".

3 Definitions, symbols and abbreviations

3.1 Definitions

For the purposes of the present document, the following terms and definitions apply:

Base Station class: wide area Base Station, local Area Base Station or home Base Station, as declared by the manufacturer

carrier: modulated waveform conveying the E-UTRA or UTRA (WCDMA) physical channels

channel bandwidth: RF bandwidth supporting a single E-UTRA RF carrier with the transmission bandwidth configured in the uplink or downlink of a cell

NOTE: The channel bandwidth is measured in MHz and is used as a reference for transmitter and receiver RF requirements.

channel edge: lowest and highest frequency of the E-UTRA carrier, separated by the channel bandwidth

downlink operating band: part of the operating band designated for downlink (BS transmit)

Downlink Reference Symbol (DL RS) power: resource element power of Downlink Reference Symbol

home Base Station: Base Stations characterized by requirements derived from femtocell scenarios with a BS to UE minimum coupling loss equal to 45 dB

local area Base Station: Base Stations characterized by requirements derived from picocell scenarios with a BS to UE minimum coupling loss equal to 45 dB

maximum output power: mean power level per carrier of the Base Station measured at the antenna connector in a specified reference condition

maximum throughput: maximum achievable throughput for a reference measurement channel

mean power: when applied to E-UTRA transmission this is the power measured in the channel bandwidth of the carrier where the period of measurement shall be at least one subframe (1 ms), unless otherwise stated

multi-carrier transmission configuration: set of one or more contiguous carriers that a BS is able to transmit simultaneously according to the manufacturer's specification

operating band: frequency range (paired or unpaired) that is defined with a specific set of technical requirements, in which E-UTRA operates

NOTE: The operating band(s) for an E-UTRA BS is declared by the manufacturer according to the designations in table 1-1. Operating bands for E-UTRA are designated with Arabic numerals, while the corresponding operating bands for UTRA are designated with Roman numerals.

output power: mean power of one carrier of the Base Station, delivered to a load with resistance equal to the nominal load impedance of the transmitter

rated output power: rated output power of the Base Station is the mean power level per carrier that the manufacturer has declared to be available at the antenna connector

resource block: a physical resource consisting of a number of symbols in the time domain and a number of consecutive subcarriers spanning 180 kHz in the frequency domain

throughput: number of payload bits successfully received per second for a reference measurement channel in a specified reference condition

transmission bandwidth: bandwidth of an instantaneous transmission from a UE or BS, measured in Resource Block units

transmission bandwidth configuration: highest transmission bandwidth allowed for uplink or downlink in a given channel bandwidth, measured in Resource Block units

transmitter OFF period: time period during which the BS transmitter is not allowed to transmit

transmitter ON period: time period during which the BS transmitter is transmitting data and/or reference symbols, i.e. data subframes or DwPTS

transmitter transient period: time period during which the transmitter is changing from the OFF period to the ON period or vice versa

uplink operating band: part of the operating band designated for uplink (BS receive)

wide area Base Station: Base Stations characterized by requirements derived from Macro Cell scenarios with a BS to UE minimum coupling loss equal to 70 dB

NOTE: This Base Station class has the same requirements as the general purpose Base Station in 3GPP Release 8.

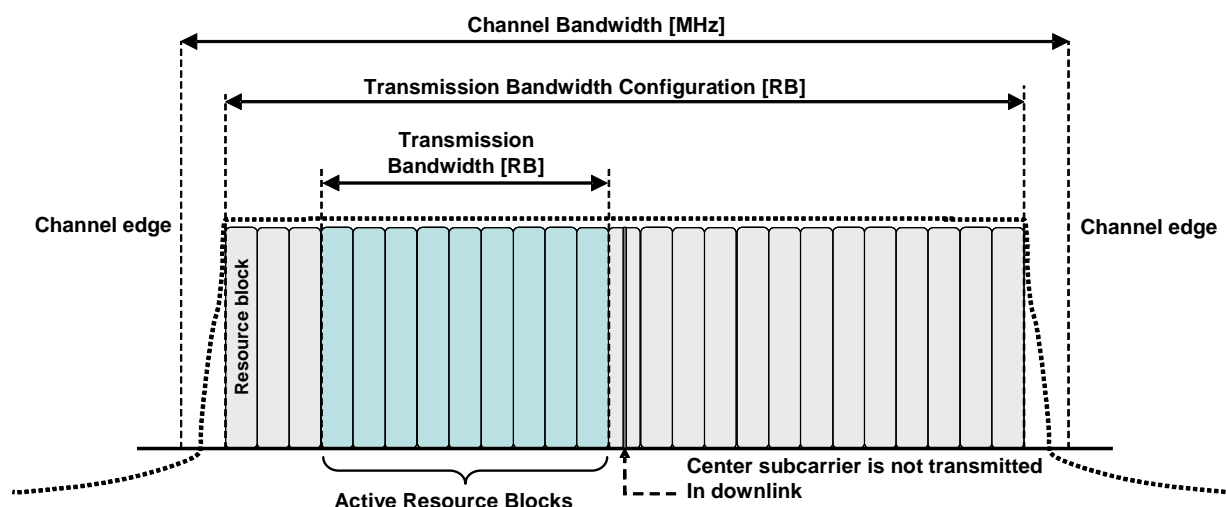


Figure 3.1-1: Definition of Channel Bandwidth and Transmission Bandwidth Configuration for one E-UTRA carrier

3.2 Symbols

For the purposes of the present document, the following symbols apply:

BW_{Channel}	Channel bandwidth
BW_{Config}	Transmission bandwidth configuration, expressed in MHz, where $BW_{\text{Config}} = N_{\text{RB}} \times 180 \text{ kHz}$ in the uplink and $BW_{\text{Config}} = 15 \text{ kHz} + N_{\text{RB}} \times 180 \text{ kHz}$ in the downlink
$CPICH \hat{E}_c$	Common Pilot Channel code power (on the adjacent channel)
$CRS \hat{E}_c$	Reference Signal received power per resource element
f	Frequency
Δf	Separation between the channel edge frequency and the nominal -3 dB point of the measuring filter closest to the carrier frequency
Δf_{max}	The largest value of Δf used for defining the requirement
F_C	Carrier centre frequency
F_{filter}	Filter centre frequency
$f_{\text{interferer}}$	Centre frequency of the interfering signal
f_{offset}	Separation between the channel edge frequency and the centre of the measuring filter
$f_{\text{offset}_{\text{max}}}$	The maximum value of f_{offset} used for defining the requirement
$F_{\text{DL}_{\text{low}}}$	The lowest frequency of the downlink operating band
$F_{\text{DL}_{\text{high}}}$	The highest frequency of the downlink operating band
$F_{\text{UL}_{\text{low}}}$	The lowest frequency of the uplink operating band (see table 1-1)
$F_{\text{UL}_{\text{high}}}$	The highest frequency of the uplink operating band (see table 1-1)
I_{oh}	Total received power density excluding own Home BS signal
I_{uant}	E-Node B internal logical interface between the implementation specific O&M function and the RET antennas and TMAs control unit function of the E-Node B
N_{RB}	Transmission bandwidth configuration, expressed in units of Resource Blocks
$N_{\text{RB}}^{\text{DL}}$	The number of downlink resource blocks in the downlink
$N_{\text{sc}}^{\text{RB}}$	The number of subcarriers in a resource block, $N_{\text{sc}}^{\text{RB}} = 12$

p	Antenna port number
(P_i)	Power of the signal at antenna connector i
(P_s)	Sum of the power for all antenna connectors
$P_{10\text{MHz}}$	Maximum output Power in 10 MHz
$P_{\text{EM},N}$	Declared emission level for channel N
P_{max}	Maximum output power
P_{REFSENS}	Reference sensitivity power level

3.3 Abbreviations

For the purposes of the present document, the following abbreviations apply:

ACLR	Adjacent Channel Leakage Ratio
ACS	Adjacent Channel Selectivity
AWGN	Additive White Gaussian Noise
B	Bottom RF channel

NOTE: For testing purposes.

BS	Base Station
BTS	Base Transceiver Station

NOTE: For GSM.

BW	Bandwidth
CW	Continuous Wave
DC	Direct Current
DwPTS	Downlink part of the special subframe

NOTE: For TDD operation.

DTT	Digital Terrestrial Television
EARFCN	E-UTRA Absolute Radio Frequency Channel Number
E-TM	E-UTRA Test Model
EUT	Equipment Under Test
E-UTRA	Evolved UMTS Terrestrial Radio Access
ERM	EMC and Radio Spectrum Matters
FDD	Frequency Division Duplex
FRC	Fixed Reference Channel
ITU-R	International Telecommunication Union - Radiocommunication
M	Middle RF channel

NOTE: For testing purposes.

LTE	Long Term Evolution
-----	---------------------

NOTE: Also known as E-UTRA.

MIMO	Multiple Input Multiple Output
MS	Mobile Station

NOTE: For GSM.

MSG	Mobile Standards Group
MSR	Multi-Standard Radio
RB	Resource Block
RF	Radio Frequency
RMS	Root Mean Square
RRC	Root Raised Cosine
RX	Receive

T Top RF channel

NOTE: For testing purposes.

TFES Task Force for European Standards for IMT
 TDD Time Division Duplex
 TX Transmit
 UE User Equipment
 UMTS Universal Mobile Telecommunications System
 UTRA UMTS Terrestrial Radio Access

4 Technical requirements specifications

4.1 Environmental profile

The technical requirements of the present document apply under the environmental profile for operation of the equipment, which shall be declared by the supplier. The equipment shall comply with all the technical requirements of the present document at all times when operating within the boundary limits of the declared operational environmental profile.

For guidance on how a supplier can declare the environmental profile, see annex C.

4.2 Conformance requirements

The requirements in the present document are based on the assumption that the operating band (see table 1-1) is shared between systems of the IMT-2000 family (for band 3 and 8 also GSM) or systems having compatible characteristics.

4.2.1 Introduction

To meet the essential requirement under article 3.2 of Directive 1999/5/EC [i.2] (R&TTE Directive) for IMT Base Stations (BS), seven essential parameters in addition to those in EN 301 908-1 [1] have been identified. Table 4.2.1-1 provides a cross reference between these seven essential parameters and the corresponding eleven technical requirements for equipment within the scope of the present document.

Table 4.2.1-1: Cross references

Essential parameter	Corresponding technical requirements
Spectrum emissions mask	4.2.2 Operating band unwanted emissions
	4.2.3 Adjacent Channel Leakage power Ratio (ACLR)
	4.2.11 Home BS output power for adjacent UTRA channel protection
	4.2.12 Home BS output power for adjacent E-UTRA channel protection
Conducted spurious emissions from the transmitter antenna connector	4.2.4 Transmitter spurious emissions
Accuracy of maximum output power	4.2.5 Base Station maximum output power
Intermodulation attenuation of the transmitter	4.2.6 Transmit intermodulation
Conducted spurious emissions from the receiver antenna connector	4.2.7 Receiver spurious emissions
Impact of interference on receiver performance	4.2.8 Blocking characteristics
	4.2.9 Receiver intermodulation characteristics
Receiver adjacent channel selectivity	4.2.10 Adjacent Channel Selectivity (ACS) and narrow-band blocking

The supplier shall declare the Base Station class and operating band(s) for the Base Station. The technical requirements in the present document apply for Base Stations supporting E-UTRA, for the declared Base Station class and operating band(s) as outlined for each requirement. For a Base Station supporting more than one operating band, conformance testing for each technical requirement in clause 5 shall be performed for each operating band.

The technical requirements also apply to the BS configurations described in annex B.

For an E-UTRA Wide Area BS additionally conforming to EN 301 908-18 [9], conformance with the technical requirements listed in table 4.2.1-1 can equally be demonstrated through the corresponding technical requirements and test suites in EN 301 908-18 [9], as listed in table 4.2.1-2.

When conformance is demonstrated through the test suites in EN 301 908-18 [9] for these technical requirement, the corresponding test suites in the present document need not be performed.

Table 4.2.1-2: Alternative technical requirements and test suites in EN 301 908-18 [9] that can equally be used for demonstrating conformance for Wide Area BS

Technical requirement in the present document	Corresponding technical requirements in EN 301 908-18 [9]	Corresponding test suites in EN 301 908-18 [9]
4.2.2 Operating band unwanted emissions	4.2.2 Operating band unwanted emissions	5.3.1 Operating band unwanted emissions
4.2.3 Adjacent Channel Leakage power Ratio (ACLR)	(See note)	(See note)
4.2.4 Transmitter spurious emissions	4.2.4 Transmitter spurious emissions	5.3.3 Transmitter spurious emissions
4.2.5 Base Station maximum output power	4.2.5 Base station maximum output power	5.3.4 Base station maximum output power
4.2.6 Transmit intermodulation	4.2.6 Transmit intermodulation	5.3.5 Transmit intermodulation
4.2.7 Receiver spurious emissions	4.2.7 Receiver spurious emissions	5.3.6 Receiver spurious emissions
4.2.8 Blocking characteristics	4.2.8 In-band blocking	5.3.7 In-band blocking
	4.2.9 Out-of-band blocking	5.3.8 Out-of-band blocking
4.2.9 Receiver intermodulation characteristics	4.2.10 Receiver intermodulation characteristics	5.3.9 Receiver intermodulation characteristics
4.2.10 Adjacent Channel Selectivity (ACS) and narrow-band blocking	4.2.11 Narrowband blocking	5.3.10 Narrowband blocking
NOTE: Conformance with the E-UTRA ACLR requirement is for an MSR BS demonstrated through the requirement in clause 4.2.3 of the present document and the corresponding test suite in clause 5.3.2.		

For a BS declared to support Band 20, the manufacturer shall additionally declare the following quantities associated with the applicable test conditions of table 4.2.2.6-1 and information in annex G of [7]:

$P_{EM,N}$ Declared emission level for channel N

P_{10MHz} Maximum output Power in 10 MHz

4.2.2 Operating band unwanted emissions

For an E-UTRA Wide Area BS additionally conforming to EN 301 908-18 [9], either the requirement of the present clause or the Operating band unwanted emissions requirement in clause 4.2.2 of EN 301 908-18 [9] can be equally applied, as listed in table 4.2.1-2.

4.2.2.1 Definition

Unwanted emissions consist of out-of-band emissions and spurious emissions (ITU-R Recommendation SM.329-10 [4]). Out of band emissions are emissions immediately outside the channel bandwidth resulting from the modulation process and non-linearity in the transmitter but excluding spurious emissions. The out-of-band emissions requirement for the BS transmitter is specified both in terms of Adjacent Channel Leakage power Ratio (ACLR) and Operating band unwanted emissions.

Unless otherwise stated, the Operating band unwanted emission limits are defined from 10 MHz below the lowest frequency of the downlink operating band up to 10 MHz above the highest frequency of the downlink operating band (see table 1-1).

The requirements shall apply whatever the type of transmitter considered (single carrier or multi-carrier) and for all transmission modes foreseen by the manufacturer's specification.

4.2.2.2 Limits

Emissions shall not exceed the maximum levels specified in the tables below, where:

- Δf is the separation between the channel edge frequency and the nominal -3 dB point of the measuring filter closest to the carrier frequency.
- f_{offset} is the separation between the channel edge frequency and the centre of the measuring filter.
- $f_{\text{offset}_{\text{max}}}$ is the offset to the frequency 10 MHz outside the downlink operating band.
- Δf_{max} is equal to $f_{\text{offset}_{\text{max}}}$ minus half of the bandwidth of the measuring filter.

4.2.2.2.1 Limits for Wide Area BS (Bands 1, 3, 8, 33 and 34)

For E-UTRA Wide Area BS operating in band 1, 3, 8, 33 or 34, emissions shall not exceed the maximum levels specified in tables 4.2.2.2.1-1 to 4.2.2.2.1-3.

Table 4.2.2.2.1-1: Wide Area BS operating band unwanted emission limits for 1,4 MHz channel bandwidth (E-UTRA bands 1, 3, 8, 33 or 34)

Frequency offset of measurement filter -3 dB point, Δf	Frequency offset of measurement filter centre frequency, f_{offset}	Test requirement	Measurement bandwidth
$0 \text{ MHz} \leq \Delta f < 0,05 \text{ MHz}$	$0,015 \text{ MHz} \leq f_{\text{offset}} < 0,065 \text{ MHz}$	$6,5 \text{ dBm} - 60 \times \left(\frac{f_{\text{offset}}}{\text{MHz}} - 0,015 \right) \text{ dB}$	30 kHz
$0,05 \text{ MHz} \leq \Delta f < 0,15 \text{ MHz}$	$0,065 \text{ MHz} \leq f_{\text{offset}} < 0,165 \text{ MHz}$	$3,5 \text{ dBm} - 160 \times \left(\frac{f_{\text{offset}}}{\text{MHz}} - 0,065 \right) \text{ dB}$	30 kHz
$0,15 \text{ MHz} \leq \Delta f < 0,2 \text{ MHz}$	$0,165 \text{ MHz} \leq f_{\text{offset}} < 0,215 \text{ MHz}$	-12,5 dBm	30 kHz
$0,2 \text{ MHz} \leq \Delta f < 1 \text{ MHz}$	$0,215 \text{ MHz} \leq f_{\text{offset}} < 1,015 \text{ MHz}$	$-12,5 \text{ dBm} - 15 \times \left(\frac{f_{\text{offset}}}{\text{MHz}} - 0,215 \right) \text{ dB}$	30 kHz
	$1,015 \text{ MHz} \leq f_{\text{offset}} < 1,5 \text{ MHz}$	-24,5 dBm	30 kHz
$1 \text{ MHz} \leq \Delta f \leq 2,8 \text{ MHz}$	$1,5 \text{ MHz} \leq f_{\text{offset}} < 3,3 \text{ MHz}$	-11,5 dBm	1 MHz
$2,8 \text{ MHz} \leq \Delta f \leq \Delta f_{\text{max}}$	$3,3 \text{ MHz} \leq f_{\text{offset}} < f_{\text{offset}_{\text{max}}}$	-15 dBm	1 MHz

Table 4.2.2.2.1-2: Wide Area BS operating band unwanted emission limits for 3 MHz channel bandwidth (E-UTRA bands 1, 3, 8, 33 or 34)

Frequency offset of measurement filter -3 dB point, Δf	Frequency offset of measurement filter centre frequency, f_{offset}	Test requirement	Measurement bandwidth
$0 \text{ MHz} \leq \Delta f < 0,05 \text{ MHz}$	$0,015 \text{ MHz} \leq f_{\text{offset}} < 0,065 \text{ MHz}$	$6,5 \text{ dBm} - 60 \times \left(\frac{f_{\text{offset}}}{\text{MHz}} - 0,015 \right) \text{ dB}$	30 kHz
$0,05 \text{ MHz} \leq \Delta f < 0,15 \text{ MHz}$	$0,065 \text{ MHz} \leq f_{\text{offset}} < 0,165 \text{ MHz}$	$3,5 \text{ dBm} - 160 \times \left(\frac{f_{\text{offset}}}{\text{MHz}} - 0,065 \right) \text{ dB}$	30 kHz
$0,15 \text{ MHz} \leq \Delta f < 0,2 \text{ MHz}$	$0,165 \text{ MHz} \leq f_{\text{offset}} < 0,215 \text{ MHz}$	-12,5 dBm	30 kHz
$0,2 \text{ MHz} \leq \Delta f < 1 \text{ MHz}$	$0,215 \text{ MHz} \leq f_{\text{offset}} < 1,015 \text{ MHz}$	$-12,5 \text{ dBm} - 15 \times \left(\frac{f_{\text{offset}}}{\text{MHz}} - 0,215 \right) \text{ dB}$	30 kHz
	$1,015 \text{ MHz} \leq f_{\text{offset}} < 1,5 \text{ MHz}$	-24,5 dBm	30 kHz
$1 \text{ MHz} \leq \Delta f \leq 6 \text{ MHz}$	$1,5 \text{ MHz} \leq f_{\text{offset}} < 6,5 \text{ MHz}$	-11,5 dBm	1 MHz
$6 \text{ MHz} \leq \Delta f \leq \Delta f_{\text{max}}$	$6,5 \text{ MHz} \leq f_{\text{offset}} < f_{\text{offset}_{\text{max}}}$	-15 dBm	1 MHz

Table 4.2.2.1-3: Wide Area BS operating band unwanted emission limits for 5 MHz, 10 MHz, 15 MHz and 20 MHz channel bandwidth (E-UTRA bands 1, 3, 8, 33 or 34)

Frequency offset of measurement filter -3 dB point, Δf	Frequency offset of measurement filter centre frequency, f_{offset}	Test requirement	Measurement bandwidth
$0 \text{ MHz} \leq \Delta f < 0,2 \text{ MHz}$	$0,015 \text{ MHz} \leq f_{\text{offset}} < 0,215 \text{ MHz}$	-12,5 dBm	30 kHz
$0,2 \text{ MHz} \leq \Delta f < 1 \text{ MHz}$	$0,215 \text{ MHz} \leq f_{\text{offset}} < 1,015 \text{ MHz}$	$-12,5 \text{ dBm} - 15 \times \left(\frac{f_{\text{offset}}}{\text{MHz}} - 0,215 \right) \text{ dB}$	30 kHz
	$1,015 \text{ MHz} \leq f_{\text{offset}} < 1,5 \text{ MHz}$	-24,5 dBm	30 kHz
$1 \text{ MHz} \leq \Delta f \leq \min(10 \text{ MHz}, \Delta f_{\text{max}})$	$1,5 \text{ MHz} \leq f_{\text{offset}} < \min(10,5 \text{ MHz}, f_{\text{offset}_{\text{max}}})$	-11,5 dBm	1 MHz
$10 \text{ MHz} \leq \Delta f \leq \Delta f_{\text{max}}$	$10,5 \text{ MHz} \leq f_{\text{offset}} < f_{\text{offset}_{\text{max}}}$	-15 dBm (see note)	1 MHz

NOTE: The requirement is not applicable when $\Delta f_{\text{max}} < 10 \text{ MHz}$.

4.2.2.2.2 Limits for Wide Area BS (Bands 7 and 38)

For E-UTRA Wide Area BS operating in Bands 7 and 38, emissions shall not exceed the maximum levels specified in tables 4.2.2.2.2-1 to 4.2.2.2.2-3.

Table 4.2.2.2-1: Wide Area BS operating band unwanted emission limits for 1,4 MHz channel bandwidth (E-UTRA bands 7 and 38)

Frequency offset of measurement filter -3 dB point, Δf	Frequency offset of measurement filter centre frequency, f_{offset}	Test requirement	Measurement bandwidth
$0 \text{ MHz} \leq \Delta f < 1,4 \text{ MHz}$	$0,05 \text{ MHz} \leq f_{\text{offset}} < 1,45 \text{ MHz}$	$+0,5 \text{ dBm} - \frac{10}{1,4} \times \left(\frac{f_{\text{offset}}}{\text{MHz}} - 0,05 \right) \text{ dB}$	100 kHz
$1,4 \text{ MHz} \leq \Delta f < 2,8 \text{ MHz}$	$1,45 \text{ MHz} \leq f_{\text{offset}} < 2,85 \text{ MHz}$	-9,5 dBm	100 kHz
$2,8 \text{ MHz} \leq \Delta f \leq \Delta f_{\text{max}}$	$3,3 \text{ MHz} \leq f_{\text{offset}} < f_{\text{offset}_{\text{max}}}$	-15 dBm	1 MHz

Table 4.2.2.2-2: Wide Area BS operating band unwanted emission limits for 3 MHz channel bandwidth (E-UTRA bands 7 and 38)

Frequency offset of measurement filter -3 dB point, Δf	Frequency offset of measurement filter centre frequency, f_{offset}	Test requirement	Measurement bandwidth
$0 \text{ MHz} \leq \Delta f < 3 \text{ MHz}$	$0,05 \text{ MHz} \leq f_{\text{offset}} < 3,05 \text{ MHz}$	$-3,5 \text{ dBm} - \frac{10}{3} \times \left(\frac{f_{\text{offset}}}{\text{MHz}} - 0,05 \right) \text{ dB}$	100 kHz
$3 \text{ MHz} \leq \Delta f < 6 \text{ MHz}$	$3,05 \text{ MHz} \leq f_{\text{offset}} < 6,05 \text{ MHz}$	-13,5 dBm	100 kHz
$6 \text{ MHz} \leq \Delta f \leq \Delta f_{\text{max}}$	$6,5 \text{ MHz} \leq f_{\text{offset}} < f_{\text{offset}_{\text{max}}}$	-15 dBm	1 MHz

Table 4.2.2.2-3: Wide Area BS operating band unwanted emission limits for 5 MHz, 10 MHz, 15 MHz and 20 MHz channel bandwidth (E-UTRA bands 7 and 38)

Frequency offset of measurement filter -3 dB point, Δf	Frequency offset of measurement filter centre frequency, f_{offset}	Test requirement	Measurement bandwidth
$0 \text{ MHz} \leq \Delta f < 5 \text{ MHz}$	$0,05 \text{ MHz} \leq f_{\text{offset}} < 5,05 \text{ MHz}$	$-5,5 \text{ dBm} - \frac{7}{5} \times \left(\frac{f_{\text{offset}}}{\text{MHz}} - 0,05 \right) \text{ dB}$	100 kHz
$5 \text{ MHz} \leq \Delta f < \min(10 \text{ MHz}, \Delta f_{\text{max}})$	$5,05 \text{ MHz} \leq f_{\text{offset}} < \min(10,05 \text{ MHz}, f_{\text{offset}_{\text{max}}})$	-12,5 dBm	100 kHz
$10 \text{ MHz} \leq \Delta f \leq \Delta f_{\text{max}}$	$10,5 \text{ MHz} \leq f_{\text{offset}} < f_{\text{offset}_{\text{max}}}$	-15 dBm (see note)	1 MHz

NOTE: The requirement is not applicable when $\Delta f_{\text{max}} < 10 \text{ MHz}$.

4.2.2.2.3 Limits for Wide Area BS (Band 20)

For E-UTRA Wide Area BS operating in Band 20, emissions shall not exceed the maximum levels specified in tables 4.2.2.2.3-1 to 4.2.2.2.3-1.

Table 4.2.2.2.3-1: Wide Area BS operating band unwanted emission limits for 1,4 MHz channel bandwidth (E-UTRA band 20)

Frequency offset of measurement filter -3 dB point, Δf	Frequency offset of measurement filter centre frequency, f_{offset}	Test requirement	Measurement bandwidth
$0 \text{ MHz} \leq \Delta f < 1,4 \text{ MHz}$	$0,05 \text{ MHz} \leq f_{\text{offset}} < 1,45 \text{ MHz}$	$+0,5 \text{ dBm} - \frac{10}{1,4} \times \left(\frac{f_{\text{offset}}}{\text{MHz}} - 0,05 \right) \text{ dB}$	100 kHz
$1,4 \text{ MHz} \leq \Delta f < 2,8 \text{ MHz}$	$1,45 \text{ MHz} \leq f_{\text{offset}} < 2,85 \text{ MHz}$	-9,5 dBm	100 kHz
$2,8 \text{ MHz} \leq \Delta f \leq \Delta f_{\text{max}}$	$2,85 \text{ MHz} \leq f_{\text{offset}} < f_{\text{offset}_{\text{max}}}$	-16 dBm	100 kHz

Table 4.2.2.2.3-2: Wide Area BS operating band unwanted emission limits for 3 MHz channel bandwidth (E-UTRA band 20)

Frequency offset of measurement filter -3 dB point, Δf	Frequency offset of measurement filter centre frequency, f_{offset}	Test requirement	Measurement bandwidth
$0 \text{ MHz} \leq \Delta f < 3 \text{ MHz}$	$0,05 \text{ MHz} \leq f_{\text{offset}} < 3,05 \text{ MHz}$	$-3,5 \text{ dBm} - \frac{10}{3} \times \left(\frac{f_{\text{offset}}}{\text{MHz}} - 0,05 \right) \text{ dB}$	100 kHz
$3 \text{ MHz} \leq \Delta f < 6 \text{ MHz}$	$3,05 \text{ MHz} \leq f_{\text{offset}} < 6,05 \text{ MHz}$	-13,5 dBm	100 kHz
$6 \text{ MHz} \leq \Delta f \leq \Delta f_{\text{max}}$	$6,05 \text{ MHz} \leq f_{\text{offset}} < f_{\text{offset}_{\text{max}}}$	-16 dBm	100 kHz

Table 4.2.2.2.3-3: Wide Area BS operating band unwanted emission limits for 5 MHz, 10 MHz, 15 MHz and 20 MHz channel bandwidth (E-UTRA band 20)

Frequency offset of measurement filter -3 dB point, Δf	Frequency offset of measurement filter centre frequency, f_{offset}	Test requirement	Measurement bandwidth
$0 \text{ MHz} \leq \Delta f < 5 \text{ MHz}$	$0,05 \text{ MHz} \leq f_{\text{offset}} < 5,05 \text{ MHz}$	$-5,5 \text{ dBm} - \frac{7}{5} \times \left(\frac{f_{\text{offset}}}{\text{MHz}} - 0,05 \right) \text{ dB}$	100 kHz
$5 \text{ MHz} \leq \Delta f < 10 \text{ MHz}$	$5,05 \text{ MHz} \leq f_{\text{offset}} < 10,05 \text{ MHz}$	-12,5 dBm	100 kHz
$10 \text{ MHz} \leq \Delta f \leq \Delta f_{\text{max}}$	$10,05 \text{ MHz} \leq f_{\text{offset}} < f_{\text{offset}_{\text{max}}}$	-16 dBm (see note)	100 kHz

NOTE: The requirement is not applicable when $\Delta f_{\text{max}} < 10 \text{ MHz}$.

4.2.2.2.4 Limits for Local Area BS

For Local Area BS, emissions shall not exceed the maximum levels specified in tables 4.2.2.2.4-1 to 4.2.2.2.4-3.

Table 4.2.2.2.4-1: Local Area BS operating band unwanted emission limits for 1,4 MHz channel bandwidth

Frequency offset of measurement filter -3 dB point, Δf	Frequency offset of measurement filter centre frequency, f_{offset}	Minimum requirement	Measurement bandwidth
$0 \text{ MHz} \leq \Delta f < 1,4 \text{ MHz}$	$0,05 \text{ MHz} \leq f_{\text{offset}} < 1,45 \text{ MHz}$	$-19,5 \text{ dBm} - \frac{10}{1,4} \times \left(\frac{f_{\text{offset}}}{\text{MHz}} - 0,05 \right) \text{ dB}$	100 kHz
$1,4 \text{ MHz} \leq \Delta f < 2,8 \text{ MHz}$	$1,45 \text{ MHz} \leq f_{\text{offset}} < 2,85 \text{ MHz}$	-29,5 dBm	100 kHz
$2,8 \text{ MHz} \leq \Delta f \leq \Delta f_{\text{max}}$	$2,85 \text{ MHz} \leq f_{\text{offset}} < f_{\text{offset}_{\text{max}}}$	-31 dBm	100 kHz

Table 4.2.2.4-2: Local Area BS operating band unwanted emission limits for 3 MHz channel bandwidth

Frequency offset of measurement filter -3 dB point, Δf	Frequency offset of measurement filter centre frequency, f_{offset}	Minimum requirement	Measurement bandwidth
$0 \text{ MHz} \leq \Delta f < 3 \text{ MHz}$	$0,05 \text{ MHz} \leq f_{\text{offset}} < 3,05 \text{ MHz}$	$-23,5 \text{ dBm} - \frac{10}{3} \times \left(\frac{f_{\text{offset}}}{\text{MHz}} - 0,05 \right) \text{ dB}$	100 kHz
$3 \text{ MHz} \leq \Delta f < 6 \text{ MHz}$	$3,05 \text{ MHz} \leq f_{\text{offset}} < 6,05 \text{ MHz}$	-33,5 dBm	100 kHz
$6 \text{ MHz} \leq \Delta f \leq \Delta f_{\text{max}}$	$6,05 \text{ MHz} \leq f_{\text{offset}} < f_{\text{offset}_{\text{max}}}$	-35 dBm	100 kHz

Table 4.2.2.4-3: Local Area BS operating band unwanted emission limits for 5 MHz, 10 MHz, 15 MHz and 20 MHz channel bandwidth

Frequency offset of measurement filter -3 dB point, Δf	Frequency offset of measurement filter centre frequency, f_{offset}	Minimum requirement	Measurement bandwidth
$0 \text{ MHz} \leq \Delta f < 5 \text{ MHz}$	$0,05 \text{ MHz} \leq f_{\text{offset}} < 5,05 \text{ MHz}$	$-28,5 \text{ dBm} - \frac{7}{5} \times \left(\frac{f_{\text{offset}}}{\text{MHz}} - 0,05 \right) \text{ dB}$	100 kHz
$5 \text{ MHz} \leq \Delta f < \min(10 \text{ MHz}, \Delta f_{\text{max}})$	$5,05 \text{ MHz} \leq f_{\text{offset}} < \min(10,05 \text{ MHz}, f_{\text{offset}_{\text{max}}})$	-35,5 dBm	100 kHz
$10 \text{ MHz} \leq \Delta f \leq \Delta f_{\text{max}}$	$10,05 \text{ MHz} \leq f_{\text{offset}} < f_{\text{offset}_{\text{max}}}$	-37 dBm (see note)	100 kHz

NOTE: The requirement is not applicable when $\Delta f_{\text{max}} < 10 \text{ MHz}$.

4.2.2.5 Limits for Home BS

For E-UTRA Home BS, emissions shall not exceed the maximum levels specified in tables 4.2.2.5-1 to 4.2.2.5-3.

Table 4.2.2.5-1: Home BS operating band unwanted emission limits for 1,4 MHz channel bandwidth

Frequency offset of measurement filter -3 dB point, Δf	Frequency offset of measurement filter centre frequency, f_{offset}	Minimum requirement	Measurement bandwidth
$0 \text{ MHz} \leq \Delta f < 1,4 \text{ MHz}$	$0,05 \text{ MHz} \leq f_{\text{offset}} < 1,45 \text{ MHz}$	$-28,5 \text{ dBm} - \frac{6}{1,4} \times \left(\frac{f_{\text{offset}}}{\text{MHz}} - 0,05 \right) \text{ dB}$	100 kHz
$1,4 \text{ MHz} \leq \Delta f < 2,8 \text{ MHz}$	$1,45 \text{ MHz} \leq f_{\text{offset}} < 2,85 \text{ MHz}$	-34,5 dBm	100 kHz
$2,8 \text{ MHz} \leq \Delta f \leq \Delta f_{\text{max}}$	$3,3 \text{ MHz} \leq f_{\text{offset}} < f_{\text{offset}_{\text{max}}}$	$P - 52 \text{ dB}, 2 \text{ dBm} \leq P \leq 20 \text{ dBm}$ -50 dBm, $P < 2 \text{ dBm}$ (see note)	1 MHz

NOTE: For Home BS, the parameter P is defined as the aggregated maximum power of all transmit antenna ports of Home BS.

Table 4.2.2.5-2: Home BS operating band unwanted emission limits for 3 MHz channel bandwidth

Frequency offset of measurement filter -3 dB point, Δf	Frequency offset of measurement filter centre frequency, f_{offset}	Minimum requirement	Measurement bandwidth
$0 \text{ MHz} \leq \Delta f < 3 \text{ MHz}$	$0,05 \text{ MHz} \leq f_{\text{offset}} < 3,05 \text{ MHz}$	$-32,5 \text{ dBm} - 2 \times \left(\frac{f_{\text{offset}}}{\text{MHz}} - 0,05 \right) \text{ dB}$	100 kHz
$3 \text{ MHz} \leq \Delta f < 6 \text{ MHz}$	$3,05 \text{ MHz} \leq f_{\text{offset}} < 6,05 \text{ MHz}$	-38,5 dBm	100 kHz
$6 \text{ MHz} \leq \Delta f \leq \Delta f_{\text{max}}$	$6,5 \text{ MHz} \leq f_{\text{offset}} < f_{\text{offset}_{\text{max}}}$	$P - 52 \text{ dB}, 2 \text{ dBm} \leq P \leq 20 \text{ dBm}$ -50 dBm, $P < 2 \text{ dBm}$ (see note)	1 MHz

NOTE: For Home BS, the parameter P is defined as the aggregated maximum power of all transmit antenna ports of Home BS.

Table 4.2.2.2.5-3: Home BS operating band unwanted emission limits for 5 MHz, 10 MHz, 15 MHz and 20 MHz channel bandwidth

Frequency offset of measurement filter -3 dB point, Δf	Frequency offset of measurement filter centre frequency, f_{offset}	Minimum requirement	Measurement bandwidth
$0 \text{ MHz} \leq \Delta f < 5 \text{ MHz}$	$0,05 \text{ MHz} \leq f_{\text{offset}} < 5,05 \text{ MHz}$	$-34,5 \text{ dBm} - \frac{6}{5} \times \left(\frac{f_{\text{offset}}}{\text{MHz}} - 0,05 \right) \text{ dB}$	100 kHz
$5 \text{ MHz} \leq \Delta f < 10 \text{ MHz}$	$5,05 \text{ MHz} \leq f_{\text{offset}} < 10,05 \text{ MHz}$	-40,5 dBm	100 kHz
$10 \text{ MHz} \leq \Delta f \leq \Delta f_{\text{max}}$	$10,5 \text{ MHz} \leq f_{\text{offset}} < f_{\text{offset}_{\text{max}}}$	$P - 52 \text{ dB}$, $2 \text{ dBm} \leq P \leq 20 \text{ dBm}$ -50 dBm, $P < 2 \text{ dBm}$ (see note)	1 MHz

NOTE: For Home BS, the parameter P is defined as the aggregated maximum power of all transmit antenna ports of Home BS.

4.2.2.2.6 Limits for protection of DTT

The following requirement shall apply for protection of DTT. For E-UTRA BS operating in Band 20, the level of emissions in the band 470-790 MHz, measured in an 8 MHz filter bandwidth on centre frequencies F_{filter} according to table 4.2.2.2.6-1, shall not exceed the maximum emission level $P_{\text{EM,N}}$ declared by the manufacturer. This requirement applies in the frequency range 470-790 MHz even though part of the range falls in the spurious domain.

Table 4.2.2.2.6-1: Declared emissions levels for protection of DTT

Filter centre frequency, F_{filter}	Measurement bandwidth	Declared emission level [dBm]
$F_{\text{filter}} = 8 \times N + 306 \text{ (MHz)}$; $21 \leq N \leq 60$	8 MHz	$P_{\text{EM,N}}$

NOTE: Compliance with the declared emission levels above provides the characteristics of the base station needed to verify compliance with the corresponding CEPT/ECC technical condition using the method outlined in annex G of TS 136 104 [7].

4.2.2.2.7 Limits for protection of adjacent band services

The following requirement shall apply for the protection of systems operating in frequency bands adjacent to band 1. The power of any spurious emission shall not exceed the limits specified in table 4.2.2.2.7-1.

Table 4.2.2.2.7-1: Emissions limits for protection of adjacent band services

Operating Band	Frequency range	Maximum Level	Measurement Bandwidth
1	2 100 MHz to 2 105 MHz	$-30 + 3,4 \cdot (f - 2 100 \text{ MHz}) \text{ dBm}$	1 MHz
	2 175 MHz to 2 180 MHz	$-30 + 3,4 \cdot (2 180 \text{ MHz} - f) \text{ dBm}$	1 MHz

4.2.2.3 Conformance

Conformance tests described in clause 5.3.1 shall be carried out.

4.2.3 Adjacent Channel Leakage power Ratio (ACLR)

4.2.3.1 Definition

Unwanted emissions consist of out-of-band emissions and spurious emissions (ITU-R Recommendation SM.329-10 [4]). Out of band emissions are emissions immediately outside the channel bandwidth resulting from the modulation process and non-linearity in the transmitter but excluding spurious emissions. The out-of-band emissions requirement for the BS transmitter is specified both in terms of Adjacent Channel Leakage power Ratio (ACLR) and Operating band unwanted emissions.

Adjacent Channel Leakage power Ratio (ACLR) is the ratio of the filtered mean power centered on the assigned channel frequency to the filtered mean power centered on an adjacent channel frequency.

The requirements shall apply whatever the type of transmitter considered (single carrier or multi-carrier). It applies for all transmission modes foreseen by the manufacturer's specification. For a multi-carrier BS, the requirement applies for the adjacent channel frequencies below the lowest carrier frequency transmitted by the BS and above the highest carrier frequency transmitted by the BS for each supported multi-carrier transmission configuration.

4.2.3.2 Limits

The ACLR is defined with a square filter of bandwidth equal to the transmission bandwidth configuration of the transmitted signal (BW_{Config}) centered on the assigned channel frequency and a filter centered on the adjacent channel frequency according to tables 4.2.3.2-1 and 4.2.3.2-2.

For Wide Area BS, either the ACLR limits in tables 4.2.3.2-1 and 4.2.3.2-2 or the absolute limit of -15 dBm/MHz apply, whichever is less stringent.

For Local Area BS, either the ACLR limits in tables 4.2.3.2-1 and 4.2.3.2-2 or the absolute limit of -32 dBm/MHz shall apply, whichever is less stringent.

For Home BS, either the ACLR limits in tables 4.2.3.2-1 and 4.2.3.2-2 or the absolute limit of -50 dBm/MHz apply, whichever is less stringent.

For operation in paired spectrum, the ACLR shall be higher than the value specified in table 4.2.3.2-1.

Table 4.2.3.2-1: Base Station ACLR in paired spectrum

E-UTRA transmitted signal channel bandwidth BW_{Channel} (MHz)	BS adjacent channel centre frequency offset below the first or above the last carrier centre frequency transmitted	Assumed adjacent channel carrier (informative)	Filter on the adjacent channel frequency and corresponding filter bandwidth	ACLR limit
1,4, 3, 5, 10, 15, 20	BW_{Channel}	E-UTRA of same BW	Square (BW_{Config})	44,2 dB
	$2 \times BW_{\text{Channel}}$	E-UTRA of same BW	Square (BW_{Config})	44,2 dB
	$BW_{\text{Channel}}/2 + 2,5 \text{ MHz}$	3,84 Mcps UTRA	RRC (3,84 Mcps)	44,2 dB
	$BW_{\text{Channel}}/2 + 7,5 \text{ MHz}$	3,84 Mcps UTRA	RRC (3,84 Mcps)	44,2 dB
NOTE 1: BW_{Channel} and BW_{Config} are the channel bandwidth and transmission bandwidth configuration of the E-UTRA transmitted signal on the assigned channel frequency.				
NOTE 2: The RRC filter shall be equivalent to the transmit pulse shape filter defined in TS 125 104 [5], with a chip rate as defined in this table.				

For operation in unpaired spectrum, the ACLR shall be higher than the value specified in table 4.2.3.2-2.

Table 4.2.3.2-2: Base Station ACLR in unpaired spectrum with synchronized operation

E-UTRA transmitted signal channel bandwidth BW_{Channel} (MHz)	BS adjacent channel centre frequency offset below the first or above the last carrier centre frequency transmitted	Assumed adjacent channel carrier (informative)	Filter on the adjacent channel frequency and corresponding filter bandwidth	ACLR limit
1,4, 3	BW_{Channel}	E-UTRA of same BW	Square (BW_{Config})	44,2 dB
	$2 \times BW_{\text{Channel}}$	E-UTRA of same BW	Square (BW_{Config})	44,2 dB
	$BW_{\text{Channel}}/2 + 0,8 \text{ MHz}$	1,28 Mcps UTRA	RRC (1,28 Mcps)	44,2 dB
	$BW_{\text{Channel}}/2 + 2,4 \text{ MHz}$	1,28 Mcps UTRA	RRC (1,28 Mcps)	44,2 dB
5, 10, 15, 20	BW_{Channel}	E-UTRA of same BW	Square (BW_{Config})	44,2 dB
	$2 \times BW_{\text{Channel}}$	E-UTRA of same BW	Square (BW_{Config})	44,2 dB
	$BW_{\text{Channel}}/2 + 0,8 \text{ MHz}$	1,28 Mcps UTRA	RRC (1,28 Mcps)	44,2 dB
	$BW_{\text{Channel}}/2 + 2,4 \text{ MHz}$	1,28 Mcps UTRA	RRC (1,28 Mcps)	44,2 dB
	$BW_{\text{Channel}}/2 + 2,5 \text{ MHz}$	3,84 Mcps UTRA	RRC (3,84 Mcps)	44,2 dB
	$BW_{\text{Channel}}/2 + 7,5 \text{ MHz}$	3,84 Mcps UTRA	RRC (3,84 Mcps)	44,2 dB
	$BW_{\text{Channel}}/2 + 5 \text{ MHz}$	7,68 Mcps UTRA	RRC (7,68 Mcps)	44,2 dB
	$BW_{\text{Channel}}/2 + 15 \text{ MHz}$	7,68 Mcps UTRA	RRC (7,68 Mcps)	44,2 dB
NOTE 1: BW_{Channel} and BW_{Config} are the channel bandwidth and transmission bandwidth configuration of the E-UTRA transmitted signal on the assigned channel frequency.				
NOTE 2: The RRC filter shall be equivalent to the transmit pulse shape filter defined in TS 125 105 [6], with a chip rate as defined in this table.				

4.2.3.3 Conformance

Conformance tests described in clause 5.3.2 shall be carried out.

4.2.4 Transmitter spurious emissions

For an E-UTRA Wide Area BS additionally conforming to EN 301 908-18 [9], either the requirement of the present clause or the Transmitter spurious emissions requirement in clause 4.2.4 of EN 301 908-18 [9] can be equally applied, as listed in table 4.2.1-2.

4.2.4.1 Definition

Unwanted emissions consist of out-of-band emissions and spurious emissions (ITU-R Recommendation SM.329-10 [4]). Spurious emissions are emissions which are caused by unwanted transmitter effects such as harmonics emission, parasitic emission, intermodulation products and frequency conversion products, but exclude out-of-band emissions. This is measured at the Base Station RF output port.

The transmitter spurious emission limits apply from 9 kHz to 12,75 GHz, excluding the frequency range from 10 MHz below the lowest frequency of the downlink operating band up to 10 MHz above the highest frequency of the downlink operating band (see table 1-1).

The requirements shall apply whatever the type of transmitter considered (single carrier or multi-carrier). It applies for all transmission modes foreseen by the manufacturer's specification. Unless otherwise stated, all requirements are measured as mean power (RMS).

4.2.4.2 Limits

4.2.4.2.1 Spurious emissions

The power of any spurious emission shall not exceed the limits in table 4.2.4.2.1-1.

Table 4.2.4.2.1-1: BS Spurious emissions limits

Frequency range	Maximum Level	Measurement Bandwidth	Note
9 kHz ↔ 150 kHz	-36 dBm	1 kHz	Note 1
150 kHz ↔ 30 MHz	-36 dBm	10 kHz	Note 1
30 MHz ↔ 1 GHz	-36 dBm	100 kHz	Note 1
1 GHz ↔ 12,75 GHz	-30 dBm	1 MHz	Note 2

NOTE 1: Bandwidth as in ITU-R Recommendation SM.329-10 [4], section 4.1.
 NOTE 2: Bandwidth as in ITU-R Recommendation SM.329-10 [4], section 4.1. Upper frequency as in ITU-R Recommendation SM.329-10 [4], section 2.5 table 1-1.

4.2.4.2.2 Co-existence with other systems

This requirement shall be applied for the protection of UE/MS and BS/BTS receivers of other systems.

The power of any spurious emission shall not exceed the limit specified in table 4.2.4.2.2-1.

Table 4.2.4.2.2-1: Spurious emissions limits for protection of other systems

Protected system	Frequency range for co-existence requirement	Maximum Level	Measurement Bandwidth	Note
GSM900	921 MHz to 960 MHz	-57 dBm	100 kHz	This requirement does not apply to E-UTRA BS operating in band 8.
	876 MHz to 915 MHz	-61 dBm	100 kHz	For the frequency range 880 MHz to 915 MHz, this requirement does not apply to E-UTRA BS operating in band 8, since it is already covered by the requirement in clause 4.2.4.2.3.
DCS1800	1 805 MHz to 1 880 MHz	-47 dBm	100 kHz	This requirement does not apply to E-UTRA BS operating in band 3.
	1 710 MHz to 1 785 MHz	-61 dBm	100 kHz	This requirement does not apply to E-UTRA BS operating in band 3, since it is already covered by the requirement in clause 4.2.4.2.3.
UTRA FDD band I, E-UTRA band 1	2 110 MHz to 2 170 MHz	-52 dBm	1 MHz	This requirement does not apply to E-UTRA BS operating in band 1.
	1 920 MHz to 1 980 MHz	-49 dBm	1 MHz	This requirement does not apply to E-UTRA BS operating in band 1, since it is already covered by the requirement in clause 4.2.4.2.3.
UTRA FDD band III, E-UTRA band 3	1 805 MHz to 1 880 MHz	-52 dBm	1 MHz	This requirement does not apply to E-UTRA BS operating in band 3.
	1 710 to 1 785 MHz	-49 dBm	1 MHz	This requirement does not apply to E-UTRA BS operating in band 3, since it is already covered by the requirement in clause 4.2.4.2.3.
UTRA FDD band VII, E-UTRA band 7	2 620 MHz to 2 690 MHz	-52 dBm	1 MHz	This requirement does not apply to E-UTRA BS operating in band 7.
	2 500 MHz to 2 570 MHz	-49 dBm	1 MHz	This requirement does not apply to E-UTRA BS operating in band 7, since it is already covered by the requirement in clause 4.2.4.2.3.
UTRA FDD band VIII, E-UTRA band 8	925 MHz to 960 MHz	-52 dBm	1 MHz	This requirement does not apply to E-UTRA BS operating in band 8.
	880 MHz to 915 MHz	-49 dBm	1 MHz	This requirement does not apply to E-UTRA BS operating in band 8, since it is already covered by the requirement in clause 4.2.4.2.3.
UTRA FDD band XV	2 600 MHz to 2 620 MHz	-52 dBm	1 MHz	This requirement does not apply to E-UTRA BS operating in band 7 or band 38.
	1 900 MHz to 1 920 MHz	-49 dBm	1 MHz	This requirement does not apply to E-UTRA BS operating in band 33.
UTRA FDD band XVI	2 585 MHz to 2 600 MHz	-52 dBm	1 MHz	This requirement does not apply to E-UTRA BS operating in band 7 or band 38.
	2 010 MHz to 2 025 MHz	-49 dBm	1 MHz	This requirement does not apply to E-UTRA BS operating in band 34.
E-UTRA Band 20	791 MHz to 821 MHz	-52 dBm	1 MHz	This requirement does not apply to E-UTRA BS operating in band 20.
	832 MHz to 862 MHz	-49 dBm	1 MHz	This requirement does not apply to E-UTRA BS operating in band 20, since it is already covered by the requirement in clause 4.2.4.2.3.
UTRA TDD in band a), E-UTRA band 33	1 900 MHz to 1 920 MHz	-52 dBm	1 MHz	This requirement does not apply to E-UTRA BS operating in band 33.
UTRA TDD in band a), E-UTRA band 34	2 010 MHz to 2 025 MHz	-52 dBm	1 MHz	This requirement does not apply to E-UTRA BS operating in band 34.
UTRA TDD in band d), E-UTRA band 38	2 570 MHz to 2 620 MHz	-52 dBm	1 MHz	This requirement does not apply to E-UTRA BS operating in band 38. For operation in band 7, see note 2.

NOTE 1: Where the table has two entries for the same or overlapping frequency ranges, both limits shall be applied.
NOTE 2: As set out in the definition in clause 4.2.4.1, the co-existence requirements in this table do not apply for the 10 MHz frequency range immediately outside the downlink operating band (see table 1-1). This is also the case when the downlink operating band is adjacent to the Band for the protected system in the table.

4.2.4.2.3 Protection of the BS receiver of own or different BS

This requirement shall be applied in order to prevent the receivers of the BSs being desensitized by emissions from a BS transmitter.

The power of any spurious emission shall not exceed the limit specified in table 4.2.4.2.3-1, depending on the declared Base Station class.

Table 4.2.4.2.3-1: BS emissions limits for Spurious protection of the BS receiver

BS class	Frequency range	Maximum Level	Measurement Bandwidth	Note
Wide Area BS	F_{UL_low} to F_{UL_high}	-96 dBm	100 kHz	
Local Area BS	F_{UL_low} to F_{UL_high}	-88 dBm	100 kHz	
Home BS	F_{UL_low} to F_{UL_high}	-88 dBm	100 kHz	
NOTE: F_{UL_low} are F_{UL_high} are the lowest and highest frequency of the E-UTRA BS uplink operating band respectively.				

4.2.4.2.4 Co-existence with Home BS operating in other bands

These requirements shall be applied for the protection of Home BS receivers operating in other bands. These requirements are only applicable to Home BS.

The power of any spurious emission shall not exceed the limits of table 4.2.4.2.4-1 for a Home BS.

Table 4.2.4.2.4-1: Spurious emissions limits for protection of a Home BS receiver

Protected band	Frequency range	Maximum level	Measurement bandwidth
1	1 920 MHz to 1 980 MHz	-71 dBm	100 kHz
3	1 710 MHz to 1 785 MHz	-71 dBm	100 kHz
7	2 500 MHz to 2 570 MHz	-71 dBm	100 kHz
8	880 MHz to 915 MHz	-71 dBm	100 kHz
15	1 900 MHz to 1 920 MHz	-71 dBm	100 kHz
16	2 010 MHz to 2 025 MHz	-71 dBm	100 kHz
20	832 MHz to 862 MHz	-71 dBm	100 kHz

4.2.4.3 Conformance

Conformance tests described in clause 5.3.3 shall be carried out.

4.2.5 Base Station maximum output power

For an E-UTRA Wide Area BS additionally conforming to EN 301 908-18 [9], either the requirement of the present clause or the Base Station maximum output power requirement in clause 4.2.5 of EN 301 908-18 [9] can be equally applied, as listed in table 4.2.1-2.

4.2.5.1 Definition

Maximum output power, P_{max} , of the Base Station is the mean power level per carrier measured at the antenna connector during the transmitter ON period in a specified reference condition.

4.2.5.2 Limit

In normal conditions, the Base Station maximum output power shall remain within +2,7 dB and -2,7 dB of the manufacturer's rated output power.

In extreme conditions, the Base Station maximum output power shall remain within +3,2 dB and -3,2 dB of the manufacturer's rated output power.

4.2.5.3 Conformance

Conformance tests described in clause 5.3.4 shall be carried out.

4.2.6 Transmitter intermodulation

For an E-UTRA Wide Area BS additionally conforming to EN 301 908-18 [9], either the requirement of the present clause or the Transmitter intermodulation requirement in clause 4.2.6 of EN 301 908-18 [9] can be equally applied, as listed in table 4.2.1-2.

4.2.6.1 Definition

The transmitter intermodulation requirement is a measure of the capability of the transmitter to inhibit the generation of signals in its non linear elements caused by presence of the own transmit signal and an interfering signal reaching the transmitter via the antenna. The requirement applies during the transmitter ON period and the transmitter transient period.

The transmitter intermodulation level is the power of the intermodulation products when an interfering signal is injected into the antenna connector.

The requirements shall apply whatever the type of transmitter considered (single carrier or multi-carrier). It applies for all transmission modes foreseen by the manufacturer's specification.

4.2.6.2 Limit

The wanted signal channel bandwidth BW_{Channel} shall be the maximum bandwidth supported by the Base Station.

In the frequency range relevant for this test, the transmit intermodulation level shall not exceed the unwanted emission requirements of clauses 4.2.2.2, 4.2.3.2 and 4.2.4.2 in the presence of an interfering signal according to table 4.2.6.2-1.

Table 4.2.6.2-1: Interfering and wanted signals for the Transmitter intermodulation requirement

Parameter	Value
Wanted signal	E-UTRA signal of maximum channel bandwidth BW_{Channel} supported by the base station
Interfering signal type	E-UTRA signal of channel bandwidth 5 MHz
Interfering signal level	Mean power level 30 dB below the mean power of the wanted signal
Interfering signal centre frequency offset from wanted signal carrier centre frequency	- $BW_{\text{Channel}}/2 - 12,5$ MHz - $BW_{\text{Channel}}/2 - 7,5$ MHz - $BW_{\text{Channel}}/2 - 2,5$ MHz $BW_{\text{Channel}}/2 + 2,5$ MHz $BW_{\text{Channel}}/2 + 7,5$ MHz $BW_{\text{Channel}}/2 + 12,5$ MHz
NOTE:	Interfering signal positions that are partially or completely outside of the downlink operating band of the base station are excluded from the requirement, unless the interfering signal positions fall within the frequency range of adjacent downlink operating bands in the same geographical area.

In case that none of the interfering signal positions according to the conditions of table 4.2.6.2-1 is applicable, a wanted signal channel bandwidth BW_{Channel} less than the maximum channel bandwidth supported by the base station shall be selected so that at least one applicable interfering signal position according to table 4.2.6.2-1 is obtained. If the BS does not support any channel bandwidths less than the maximum supported bandwidth, an interfering signal outside or partly outside the downlink operating band shall be used.

The measurements for unwanted emission requirement due to intermodulation can be limited to the frequency ranges of all third and fifth order intermodulation products, excluding the channel bandwidths of the wanted and interfering signals.

4.2.6.3 Conformance

Conformance tests described in clause 5.3.5 shall be carried out.

4.2.7 Receiver spurious emissions

For an E-UTRA Wide Area BS additionally conforming to EN 301 908-18 [9], either the requirement of the present clause or the Receiver spurious emissions requirement in clause 4.2.7 of EN 301 908-18 [9] can be equally applied, as listed in table 4.2.1-2.

4.2.7.1 Definition

The spurious emissions power is the power of emissions generated or amplified in a receiver that appear at the BS receiver antenna connector. The requirements apply to all BS with separate RX and TX antenna ports. The test shall be performed when both TX and RX are on, with the TX port terminated.

For TDD BS with common RX and TX antenna port the requirement applies during the Transmitter OFF period. For FDD BS with common RX and TX antenna port the transmitter spurious emission as specified in clause 4.2.4 is valid.

4.2.7.2 Limit

The power of any spurious emission shall not exceed the levels in table 4.2.7.2-1.

In addition to the requirements in table 4.2.7.2-1, the power of any spurious emission shall not exceed the limits specified in clauses 4.2.4.2.2 and 4.2.4.2.3.

Table 4.2.7.2-1: General spurious emission test requirement

Frequency range	Maximum level	Measurement Bandwidth	Note
30 MHz to 1 GHz	-57 dBm	100 kHz	
1 GHz to 12,75 GHz	-47 dBm	1 MHz	
NOTE: The frequency range between $2,5 \times BW_{\text{Channel}}$ below the first carrier frequency and $2,5 \times BW_{\text{Channel}}$ above the last carrier frequency transmitted by the BS, where BW_{Channel} is the channel bandwidth according to TS 136 141 [2], table 5.6-1, may be excluded from the requirement. However, frequencies that are more than 10 MHz below the lowest frequency of the downlink operating band or more than 10 MHz above the highest frequency of the downlink operating band (see table 1-1) shall not be excluded from the requirement.			

4.2.7.3 Conformance

Conformance tests described in clause 5.3.6 shall be carried out.

4.2.8 Blocking characteristics

For an E-UTRA Wide Area BS additionally conforming to EN 301 908-18 [9], either the requirement of the present clause or the In-band and Out-of-band blocking requirements in clauses 4.2.8 and 4.2.9 of EN 301 908-18 [9] can be equally applied, as listed in table 4.2.1-2.

4.2.8.1 Definition

The blocking characteristics is a measure of the receiver ability to receive a wanted signal at its assigned channel in the presence of an unwanted interferer, which are either a 1,4 MHz, 3 MHz or 5 MHz E-UTRA signal for in-band blocking or a CW signal for out-of-band blocking. The interfering E-UTRA signal shall be as specified in TS 136 141 [2], annex C.

4.2.8.2 Limit

The throughput shall be ≥ 95 % of the maximum throughput of the reference measurement channel, with a wanted and an interfering signal coupled to BS antenna input using the parameters in table 4.2.8.2-4 and tables 4.2.8.2-1, 4.2.8.2-2 or 4.2.8.2-3, depending on the declared Base Station class and operating band. The reference measurement channel for the wanted signal is for each channel bandwidth identified in table 7.2-1, 7.2-2 or 7.2-3 of TS 136 141 [2] depending on the declared Base Station class, and further specified in annex A of TS 136 141 [2].

Table 4.2.8.2-1: Blocking performance requirement for Wide Area BS

Operating Band	Centre Frequency of Interfering Signal (MHz) (see note 1)	Interfering Signal mean power (dBm)	Wanted Signal mean power (dBm) (see note 2)	Interfering signal centre frequency minimum frequency offset from the channel edge of the wanted signal (MHz)	Type of Interfering Signal
1, 3, 7, 33, 34, 38	$(F_{UL_low} - 20)$ to $(F_{UL_high} + 20)$	-43	$P_{REFSENS} + 6$ dB	See table 4.2.8.2-2	See table 4.2.8.2-2
	1 to $(F_{UL_low} - 20)$ $(F_{UL_high} + 20)$ to 12 750	-15	$P_{REFSENS} + 6$ dB	-	CW carrier
8	$(F_{UL_low} - 20)$ to $(F_{UL_high} + 10)$	-43	$P_{REFSENS} + 6$ dB	See table 4.2.8.2-2	See table 4.2.8.2-2
	1 to $(F_{UL_low} - 20)$ $(F_{UL_high} + 10)$ to 12 750	-15	$P_{REFSENS} + 6$ dB	-	CW carrier
20	$(F_{UL_low} - 11)$ to $(F_{UL_high} + 20)$	-43	$P_{REFSENS} + 6$ dB	See table 4.2.8.2-2	See table 4.2.8.2-2
	1 to $(F_{UL_low} - 11)$ $(F_{UL_high} + 20)$ to 12 750	-15	$P_{REFSENS} + 6$ dB	-	CW carrier

NOTE 1: F_{UL_low} and F_{UL_high} are the lowest and highest frequencies of the uplink operating band, as defined in table 1-1.

NOTE 2: $P_{REFSENS}$ depends on the channel bandwidth as specified in TS 136 141 [2], clause 7.2.

Table 4.2.8.2-2: Blocking performance requirement for Local Area BS

Operating Band	Centre Frequency of Interfering Signal (MHz) (see note 1)	Interfering Signal mean power (dBm)	Wanted Signal mean power (dBm) (see note 2)	Interfering signal centre frequency minimum frequency offset from the channel edge of the wanted signal (MHz)	Type of Interfering Signal
1, 3, 7, 33, 34, 38	$(F_{UL_low} - 20)$ to $(F_{UL_high} + 20)$	-35	$P_{REFSENS} + 6$ dB	See table 4.2.8.2-2	See table 4.2.8.2-2
	1 to $(F_{UL_low} - 20)$ $(F_{UL_high} + 20)$ to 12 750	-15	$P_{REFSENS} + 6$ dB	-	CW carrier
8	$(F_{UL_low} - 20)$ to $(F_{UL_high} + 10)$	-35	$P_{REFSENS} + 6$ dB	See table 4.2.8.2-2	See table 4.2.8.2-2
	1 to $(F_{UL_low} - 20)$ $(F_{UL_high} + 10)$ to 12 750	-15	$P_{REFSENS} + 6$ dB	-	CW carrier
20	$(F_{UL_low} - 11)$ to $(F_{UL_high} + 20)$	-35	$P_{REFSENS} + 6$ dB	See table 4.2.8.2-2	See table 4.2.8.2-2
	1 to $(F_{UL_low} - 11)$ $(F_{UL_high} + 20)$ to 12 750	-15	$P_{REFSENS} + 6$ dB	—	CW carrier

NOTE 1: F_{UL_low} and F_{UL_high} are the lowest and highest frequencies of the uplink operating band, as defined in table 1-1.

NOTE 2: $P_{REFSENS}$ depends on the channel bandwidth as specified in TS 136 141 [2], clause 7.2.

Table 4.2.8.2-3: Blocking performance requirement for Home BS

Operating Band	Centre Frequency of Interfering Signal (MHz) (see note 1)	Interfering Signal mean power (dBm)	Wanted Signal mean power (dBm) (see note 2)	Interfering signal centre frequency minimum frequency offset from the channel edge of the wanted signal (MHz)	Type of Interfering Signal
1, 3, 7, 33, 34, 38	$(F_{UL_low} - 20)$ to $(F_{UL_high} + 20)$	-27	$P_{REFSENS} + 14$ dB	See table 4.2.8.2-2	See table 4.2.8.2-2
	1 to $(F_{UL_low} - 20)$ $(F_{UL_high} + 20)$ to 12 750	-15	$P_{REFSENS} + 14$ dB	-	CW carrier
8	$(F_{UL_low} - 20)$ to $(F_{UL_high} + 10)$	-27	$P_{REFSENS} + 14$ dB	See table 4.2.8.2-2	See table 4.2.8.2-2
	1 to $(F_{UL_low} - 20)$ $(F_{UL_high} + 10)$ to 12 750	-15	$P_{REFSENS} + 14$ dB	-	CW carrier
20	$(F_{UL_low} - 11)$ to $(F_{UL_high} + 20)$	-27	$P_{REFSENS} + 14$ dB	See table 4.2.8.2-2	See table 4.2.8.2-2
	1 to $(F_{UL_low} - 11)$ $(F_{UL_high} + 20)$ to 12 750	-15	$P_{REFSENS} + 14$ dB	—	CW carrier

NOTE 1: F_{UL_low} and F_{UL_high} are the lowest and highest frequencies of the uplink operating band, as defined in table 1-1.

NOTE 2: $P_{REFSENS}$ depends on the channel bandwidth as specified in TS 136 141 [2], clause 7.2.

Table 4.2.8.2-4: Interfering signals for Blocking performance requirement

E-UTRA channel BW (MHz)	Interfering signal centre frequency minimum offset to the channel edge of the wanted signal (MHz)	Type of interfering signal
1,4	2,1	1,4 MHz E-UTRA signal
3	4,5	3 MHz E-UTRA signal
5	7,5	5 MHz E-UTRA signal
10	7,5	5 MHz E-UTRA signal
15	7,5	5 MHz E-UTRA signal
20	7,5	5 MHz E-UTRA signal

4.2.8.3 Conformance

Conformance tests described in clause 5.3.7 shall be carried out.

4.2.9 Receiver intermodulation characteristics

For an E-UTRA Wide Area BS additionally conforming to EN 301 908-18 [9], either the requirement of the present clause or the Receiver intermodulation requirement in clause 4.2.10 of EN 301 908-18 [9] can be equally applied, as listed in table 4.2.1-2.

4.2.9.1 Definition

Third and higher order mixing of the two interfering RF signals can produce an interfering signal in the band of the desired channel. Intermodulation response rejection is a measure of the capability of the receiver to receive a wanted signal on its assigned channel frequency in the presence of two interfering signals which have a specific frequency relationship to the wanted signal. Interfering signals shall be a CW signal and an E-UTRA signal as specified in TS 136 141 [2], annex C.

4.2.9.2 Limit

The throughput shall be ≥ 95 % of the maximum throughput of the reference measurement channel, with a wanted signal at the assigned channel frequency and two interfering signals with the conditions specified in tables 4.2.9.2-1 and 4.2.9.2-2 for intermodulation performance and in table 4.2.9.2-3, 4.2.9.2.4 or 4.2.9.2-5 depending on the declared Base Station class for narrowband intermodulation performance. The reference measurement channel for the wanted signal is identified in table 7.2-1, 7.2-2 or 7.2-3 of TS 136 141 [2] for each channel bandwidth and further specified in annex A of TS 136 141 [2].

Table 4.2.9.2-1: Intermodulation performance requirement

BS class	Wanted signal mean power (dBm)	Interfering signal mean power	Type of interfering signal
Wide area BS	$P_{\text{REFSENS}} + 6$ dB (see note)	-52 dBm	See table 4.2.9.2-2
Local Area BS	$P_{\text{REFSENS}} + 6$ dB (see note)	-44 dBm	
Home BS	$P_{\text{REFSENS}} + 14$ dB (see note)	-36 dBm	

NOTE: P_{REFSENS} depends on the channel bandwidth as specified in TS 136 141 [2], clause 7.2. For E-UTRA channel bandwidths 10 MHz, 15 MHz and 20 MHz this requirement shall apply only for a FRC A1-3 (see TS 136 141 [2], clause A.1) mapped to the frequency range at the channel edge adjacent to the interfering signals.

Table 4.2.9.2-2: Interfering signal for Intermodulation performance requirement

E-UTRA channel bandwidth (MHz)	Interfering signal centre frequency offset from the carrier edge of the wanted signal (MHz)	Type of interfering signal
1,4	2,1	CW
	4,9	1,4 MHz E-UTRA signal
3	4,5	CW
	10,5	3 MHz E-UTRA signal
5	7,5	CW
	17,5	5 MHz E-UTRA signal
10	7,375	CW
	17,5	5 MHz E-UTRA signal
15	7,25	CW
	17,5	5 MHz E-UTRA signal
20	7,125	CW
	17,5	5 MHz E-UTRA signal

Table 4.2.9.2-3: Narrowband intermodulation performance requirement for Wide Area BS

E-UTRA channel bandwidth (MHz)	Wanted signal mean power (dBm)	Interfering signal mean power (dBm)	Interfering RB centre frequency offset from the channel edge of the wanted signal (kHz)	Type of interfering signal
1,4	$P_{\text{REFSENS}} + 6 \text{ dB}$ (see note 1)	-52	270	CW
		-52	790	1,4 MHz E-UTRA signal, 1 RB (see note 2)
3	$P_{\text{REFSENS}} + 6 \text{ dB}$ (see note 1)	-52	270	CW
		-52	780	3 MHz E-UTRA signal, 1 RB (see note 2)
5	$P_{\text{REFSENS}} + 6 \text{ dB}$ (see note 1)	-52	360	CW
		-52	1 060	5 MHz E-UTRA signal, 1 RB (see note 2)
10	$P_{\text{REFSENS}} + 6 \text{ dB}$ (see notes 1 and 3)	-52	325	CW
		-52	1 240	5 MHz E-UTRA signal, 1 RB (see note 2)
15	$P_{\text{REFSENS}} + 6 \text{ dB}$ (see notes 1 and 3)	-52	380	CW
		-52	1 600	5 MHz E-UTRA signal, 1 RB (see note 2)
20	$P_{\text{REFSENS}} + 6 \text{ dB}$ (see notes 1 and 3)	-52	345	CW
		-52	1 780	5 MHz E-UTRA signal, 1 RB (see note 2)

NOTE 1: P_{REFSENS} is related to the channel bandwidth as specified in TS 136 141 [2], clause 7.2.

NOTE 2: Interfering signal consisting of one resource block positioned at the stated offset, the channel bandwidth of the interfering signal is located adjacently to the channel bandwidth of the wanted signal.

NOTE 3: This requirement shall apply only for an FRC A1-3 (see TS 136 141 [2], clause A.1) mapped to the frequency range at the channel edge adjacent to the interfering signals.

Table 4.2.9.2-4: Narrowband intermodulation performance requirement for Local Area BS

E-UTRA channel bandwidth (MHz)	Wanted signal mean power (dBm)	Interfering signal mean power (dBm)	Interfering RB centre frequency offset from the channel edge of the wanted signal (kHz)	Type of interfering signal
1,4	$P_{\text{REFSENS}} + 6 \text{ dB}$ (see note 1)	-44	270	CW
		-44	790	1,4 MHz E-UTRA signal, 1 RB (see note 2)
3	$P_{\text{REFSENS}} + 6 \text{ dB}$ (see note 1)	-44	270	CW
		-44	780	3 MHz E-UTRA signal, 1 RB (see note 2)
5	$P_{\text{REFSENS}} + 6 \text{ dB}$ (see note 1)	-44	360	CW
		-44	1 060	5 MHz E-UTRA signal, 1 RB (see note 2)
10	$P_{\text{REFSENS}} + 6 \text{ dB}$ (see notes 1 and 3)	-44	325	CW
		-44	1 240	5 MHz E-UTRA signal, 1 RB (see note 2)
15	$P_{\text{REFSENS}} + 6 \text{ dB}$ (see notes 1 and 3)	-44	380	CW
		-44	1 600	5 MHz E-UTRA signal, 1 RB (see note 2)
20	$P_{\text{REFSENS}} + 6 \text{ dB}$ (see notes 1 and 3)	-44	345	CW
		-44	1 780	5 MHz E-UTRA signal, 1 RB (see note 2)

NOTE 1: P_{REFSENS} is related to the channel bandwidth as specified in TS 136 141 [2], clause 7.2.

NOTE 2: Interfering signal consisting of one resource block positioned at the stated offset, the channel bandwidth of the interfering signal is located adjacently to the channel bandwidth of the wanted signal.

NOTE 3: This requirement shall apply only for an FRC A1-3 (see TS 136 141 [2], clause A.1) mapped to the frequency range at the channel edge adjacent to the interfering signals.

Table 4.2.9.2-5: Narrowband intermodulation performance requirement for Home BS

E-UTRA channel bandwidth (MHz)	Wanted signal mean power (dBm)	Interfering signal mean power (dBm)	Interfering RB centre frequency offset from the channel edge of the wanted signal (kHz)	Type of interfering signal
1,4	$P_{\text{REFSENS}} + 14$ dB (see note 1)	-36	270	CW
		-36	790	1,4 MHz E-UTRA signal, 1 RB (see note 2)
3	$P_{\text{REFSENS}} + 14$ dB (see note 1)	-36	270	CW
		-36	780	3 MHz E-UTRA signal, 1 RB (see note 2)
5	$P_{\text{REFSENS}} + 14$ dB (see note 1)	-36	360	CW
		-36	1 060	5 MHz E-UTRA signal, 1 RB (see note 2)
10	$P_{\text{REFSENS}} + 14$ dB (see notes 1 and 3)	-36	325	CW
		-36	1 240	5 MHz E-UTRA signal, 1 RB (see note 2)
15	$P_{\text{REFSENS}} + 14$ dB (see notes 1 and 3)	-36	380	CW
		-36	1 600	5 MHz E-UTRA signal, 1 RB (see note 2)
20	$P_{\text{REFSENS}} + 14$ dB (see notes 1 and 3)	-36	345	CW
		-36	1 780	5 MHz E-UTRA signal, 1 RB (see note 2)

NOTE 1: P_{REFSENS} is related to the channel bandwidth as specified in TS 136 141 [2], clause 7.2.

NOTE 2: Interfering signal consisting of one resource block positioned at the stated offset, the channel bandwidth of the interfering signal is located adjacently to the channel bandwidth of the wanted signal.

NOTE 3: This requirement shall apply only for an FRC A1-3 (see TS 136 141 [2], clause A.1) mapped to the frequency range at the channel edge adjacent to the interfering signals.

4.2.9.3 Conformance

Conformance tests described in clause 5.3.8 shall be carried out.

4.2.10 Adjacent Channel Selectivity (ACS) and narrow-band blocking

For an E-UTRA Wide Area BS additionally conforming to EN 301 908-18 [9], either the requirement of the present clause or the Narrowband blocking requirement in clause 4.2.11 of EN 301 908-18 [9] can be equally applied, as listed in table 4.2.1-2.

4.2.10.1 Definition

Adjacent Channel Selectivity (ACS) and narrow-band blocking are measures of the receiver's ability to receive a wanted signal at its assigned channel frequency in the presence of an adjacent channel signal with a specified centre frequency offset of the interfering signal to the channel edge of a victim system. The interfering signal shall be an E-UTRA signal as specified in TS 136 141 [2], annex C. For narrowband blocking, the interfering signal is an E-UTRA single Resource Block.

4.2.10.2 Limit

The throughput shall be ≥ 95 % of the maximum throughput of the reference measurement channel.

For Wide Area BS, the wanted and the interfering signal coupled to the BS antenna input are specified in tables 4.2.10.2-1 and 4.2.10.2-2 for narrowband blocking and table 4.2.10.2-3 for ACS. The reference measurement channel for the wanted signal is identified in table 7.2-1 of TS 136 141 [2] for each channel bandwidth and further specified in annex A of TS 136 141 [2].

For Local Area BS, the wanted and the interfering signal coupled to the BS antenna input are specified in tables 4.2.10.2-1 and 4.2.10.2-2 for narrowband blocking and table 4.2.10.2-4 for ACS. The reference measurement channel for the wanted signal is identified in table 7.2-2 of TS 136 141 [2] for each channel bandwidth and further specified in annex A of TS 136 141 [2].

For Home BS, the wanted and the interfering signal coupled to the BS antenna input are specified in tables 4.2.10.2-1 and 4.2.10.2-2 for narrowband blocking and table 4.2.10.2-5 for ACS. The reference measurement channel for the wanted signal is identified in table 7.2-3 of TS 136 141 [2] for each channel bandwidth and further specified in annex A of TS 136 141 [2].

Table 4.2.10.2-1: Narrowband blocking requirement

BS class	Wanted signal mean power (dBm)	Interfering signal mean power	Type of interfering signal
Wide Area BS	$P_{\text{REFSENS}} + 6$ dB (see note)	-49 dBm	See table 4.2.10.2-2
Local Area BS	$P_{\text{REFSENS}} + 6$ dB (see note)	-41 dBm	See table 4.2.10.2-2
Home BS	$P_{\text{REFSENS}} + 14$ dB (see note)	-33 dBm	See table 4.2.10.2-2

NOTE: P_{REFSENS} depends on the channel bandwidth as specified in TS 136 141 [2], clause 7.2.

Table 4.2.10.2-2: Interfering signal for Narrowband blocking requirement

E-UTRA Assigned BW (MHz)	Interfering RB centre frequency offset to the channel edge of the wanted signal (kHz)	Type of interfering signal
1,4	$252,5 + m \times 180$, $m = 0, 1, 2, 3, 4, 5$	1,4 MHz E-UTRA signal, 1 RB (see note)
3	$247,5 + m \times 180$, $m = 0, 1, 2, 3, 4, 7, 10, 13$	3 MHz E-UTRA signal, 1 RB (see note)
5	$342,5 + m \times 180$, $m = 0, 1, 2, 3, 4, 9, 14, 19, 24$	5 MHz E-UTRA signal, 1 RB (see note)
10	$347,5 + m \times 180$, $m = 0, 1, 2, 3, 4, 9, 14, 19, 24$	5 MHz E-UTRA signal, 1 RB (see note)
15	$352,5 + m \times 180$, $m = 0, 1, 2, 3, 4, 9, 14, 19, 24$	5 MHz E-UTRA signal, 1 RB (see note)
20	$342,5 + m \times 180$, $m = 0, 1, 2, 3, 4, 9, 14, 19, 24$	5 MHz E-UTRA signal, 1 RB (see note)

NOTE: Interfering signal consisting of one resource block adjacent to the wanted signal, the channel bandwidth of the interfering signal is located adjacently to the channel edge of the wanted signal.
Frequency offsets are such that the interfering signal is outside the channel.

Table 4.2.10.2-3: Adjacent channel selectivity for Wide Area BS

E-UTRA channel bandwidth (MHz)	Wanted signal mean power (dBm)	Interfering signal mean power (dBm)	Interfering signal centre frequency offset from the channel edge of the wanted signal (MHz)	Type of interfering signal
1,4	$P_{\text{REFSENS}} + 11$ dB (see note)	-52	0,7025	1,4 MHz E-UTRA signal
3	$P_{\text{REFSENS}} + 8$ dB (see note)	-52	1,5075	3 MHz E-UTRA signal
5	$P_{\text{REFSENS}} + 6$ dB (see note)	-52	2,5025	5 MHz E-UTRA signal
10	$P_{\text{REFSENS}} + 6$ dB (see note)	-52	2,5075	5 MHz E-UTRA signal
15	$P_{\text{REFSENS}} + 6$ dB (see note)	-52	2,5125	5 MHz E-UTRA signal
20	$P_{\text{REFSENS}} + 6$ dB (see note)	-52	2,5025	5 MHz E-UTRA signal

NOTE: P_{REFSENS} depends on the channel bandwidth as specified in TS 136 141 [2], clause 7.2.
Frequency offsets are such that the interfering signal is outside the channel.

Table 4.2.10.2-4: Adjacent channel selectivity for Local Area BS

E-UTRA channel bandwidth (MHz)	Wanted signal mean power (dBm)	Interfering signal mean power (dBm)	Interfering signal centre frequency offset from the channel edge of the wanted signal (MHz)	Type of interfering signal
1,4	$P_{\text{REFSENS}} + 11$ dB (see note)	-44	0,7025	1,4 MHz E-UTRA signal
3	$P_{\text{REFSENS}} + 8$ dB (see note)	-44	1,5075	3 MHz E-UTRA signal
5	$P_{\text{REFSENS}} + 6$ dB (see note)	-44	2,5025	5 MHz E-UTRA signal
10	$P_{\text{REFSENS}} + 6$ dB (see note)	-44	2,5075	5 MHz E-UTRA signal
15	$P_{\text{REFSENS}} + 6$ dB (see note)	-44	2,5125	5 MHz E-UTRA signal
20	$P_{\text{REFSENS}} + 6$ dB (see note)	-44	2,5025	5 MHz E-UTRA signal

NOTE: P_{REFSENS} depends on the channel bandwidth as specified in TS 136 141 [2], clause 7.2.
Frequency offsets are such that the interfering signal is outside the channel.

Table 4.2.10.2-5: Adjacent channel selectivity for Home BS

E-UTRA channel bandwidth (MHz)	Wanted signal mean power (dBm)	Interfering signal mean power (dBm)	Interfering signal centre frequency offset from the channel edge of the wanted signal (MHz)	Type of interfering signal
1,4	$P_{\text{REFSENS}} + 27$ dB (see note)	-28	0,7025	1,4 MHz E-UTRA signal
3	$P_{\text{REFSENS}} + 24$ dB (see note)	-28	1,5075	3 MHz E-UTRA signal
5	$P_{\text{REFSENS}} + 22$ dB (see note)	-28	2,5025	5 MHz E-UTRA signal
10	$P_{\text{REFSENS}} + 22$ dB (see note)	-28	2,5075	5 MHz E-UTRA signal
15	$P_{\text{REFSENS}} + 22$ dB (see note)	-28	2,5125	5 MHz E-UTRA signal
20	$P_{\text{REFSENS}} + 22$ dB (see note)	-28	2,5025	5 MHz E-UTRA signal

NOTE: P_{REFSENS} depends on the channel bandwidth as specified in TS 136 141 [2], clause 7.2.
Frequency offsets are such that the interfering signal is outside the channel.

4.2.10.3 Conformance

Conformance tests described in clause 5.3.9 shall be carried out.

4.2.11 Home BS output power for adjacent UTRA channel protection

4.2.11.1 Definition

The Home BS shall be capable of adjusting the transmitter output power to minimize the interference level on the adjacent channels while optimize the Home BS coverage, in case an adjacent channel is licensed to another operator in the same geographical area. These requirements are only applicable to Home BS. The requirements in this clause are applicable for AWGN radio propagation conditions.

4.2.11.2 Limit

The output power, P_{out} , of the Home BS shall be as specified in table 4.2.11.2-1 under the following input conditions:

- $\text{CPICH } \hat{E}_c$, measured in dBm, is the code power of the Primary CPICH on one of the adjacent channels presented at the Home BS antenna connector for the CPICH received on the adjacent channels. If Tx diversity is applied on the Primary CPICH, $\text{CPICH } \hat{E}_c$ shall be the sum (in W) of the code powers of the Primary CPICH transmitted from each antenna.
- I_{oh} , measured in dBm, is the total received power density, including signals and interference but excluding the own Home BS signal, present at the Home BS antenna connector on the Home BS operating channel.

The input conditions defined for the requirements in this clause are specified at the antenna connector of the Home BS. For Home BS receivers with diversity, the requirements apply to each antenna connector separately, with the other one(s) terminated or disabled. The requirements are otherwise unchanged. For Home BS(s) without measurement capability, a reference antenna with a gain of 0 dBi is assumed for converting these power levels into field strength requirements.

NOTE: The present requirement verifies the mandatory mechanism for Home BS output power for adjacent UTRA channel protection, assuming that there is an adjacent UTRA channel licensed to another operator that needs protection. For a Home BS in operation and in case that both adjacent channels are licensed to other operators, the most stringent requirement is applied for P_{out} . In the case when one of the adjacent channels is licensed to a E-UTRA operator while the other adjacent channel is licensed to a UTRA operator, the more stringent requirement of this clause and in clause 4.2.12 is applied for P_{out} . In case the Home BS's operating channel and both adjacent channels are licensed to the same operator, the requirements of this clause are not applied.

Table 4.2.11.2-1: Home BS output power for adjacent operator UTRA channel protection

Input Conditions	Output power, P_{out}
$I_{oh} > CPICH \hat{E}_c + 43$ dB and $CPICH \hat{E}_c \geq -105$ dBm	≤ 10 dBm
$I_{oh} \leq CPICH \hat{E}_c + 43$ dB and $CPICH \hat{E}_c \geq -105$ dBm	$\leq \max(8 \text{ dBm}, \min(20 \text{ dBm}, CPICH \hat{E}_c + 100 \text{ dB}))$
$CPICH \hat{E}_c < -105$ dBm	≤ 20 dBm

In normal operating conditions, the output power, P_{out} , of the Home BS shall be equal to or less than the value specified in table 4.2.11.2-1 plus 2,7 dB.

In extreme operating conditions, the output power, P_{out} , of the Home BS shall be equal to or less than the value specified in table 4.2.11.2-1 plus 3,2 dB.

4.2.11.3 Conformance

Conformance tests described in clause 5.3.10 shall be carried out.

4.2.12 Home BS output power for adjacent E-UTRA channel protection

4.2.12.1 Definition and applicability

The Home BS shall be capable of adjusting the transmitter output power to minimize the interference level on the adjacent channels licensed to other operators in the same geographical area while optimize the Home BS coverage. These requirements are only applicable to Home BS. The requirements in this clause are applicable for AWGN radio propagation conditions.

4.2.12.2 Limit

The output power, P_{out} , of the Home BS shall be as specified in table 4.2.12.2-1 under the following input conditions:

- $CRS \hat{E}_c$, measured in dBm, is the Reference Signal Received Power per resource element on one of the adjacent channels present at the Home BS antenna connector for the Reference Signal received on the adjacent channels. For $CRS \hat{E}_c$ determination, the cell-specific reference signal R0 according TS 136 211 [10] shall be used. If the Home BS can reliably detect that multiple TX antennas are used for transmission on the adjacent channel, it may use the average in [W] of the $CRS \hat{E}_c$ on all detected antennas.
- I_{oh} , measured in dBm, is the total received power density, including signals and interference but excluding the own Home BS signal, present at the Home BS antenna connector on the Home BS operating channel.

The input conditions defined for the requirements in this section are specified at the antenna connector of the Home BS. For Home BS receivers with diversity, the requirements apply to each antenna connector separately, with the other one(s) terminated or disabled. The requirements are otherwise unchanged. For Home BS(s) without measurement capability, a reference antenna with a gain of 0 dBi is assumed for converting these power levels into field strength requirements.

NOTE: The present requirement verifies the mandatory mechanism for Home BS output power for adjacent E-UTRA channel protection, assuming that there is an adjacent E-UTRA channel licensed to another operator that needs protection. For a Home BS in operation and in case that both adjacent channels are licensed to other operators, the most stringent requirement is applied for P_{out} . In the case when one of the adjacent channels is licensed to a E-UTRA operator while the other adjacent channel is licensed to a UTRA operator, the more stringent requirement of this clause and in clause 4.2.11 is applied for P_{out} . In case the Home BS's operating channel and both adjacent channels are licensed to the same operator, the requirements of this clause are not applied.

Table 4.2.12.2-1: Home BS output power for adjacent operator E-UTRA channel protection

Input Conditions	Output power, P_{out}
$l_{oh} > CRS \hat{E}_c +$ $10 \cdot \log_{10} \left(N_{RB}^{DL} \cdot N_{sc}^{RB} \right) + 30 \text{ dB}$ and $CRS \hat{E}_c \geq -127 \text{ dBm}$	$\leq 10 \text{ dBm}$
$l_{oh} \leq CRS \hat{E}_c +$ $10 \cdot \log_{10} \left(N_{RB}^{DL} \cdot N_{sc}^{RB} \right) + 30 \text{ dB}$ and $CRS \hat{E}_c \geq -127 \text{ dBm}$	$\leq \max(8 \text{ dBm}, \min(20 \text{ dBm}, CRS \hat{E}_c$ $+ 10 \cdot \log_{10} \left(N_{RB}^{DL} \cdot N_{sc}^{RB} \right) + 85 \text{ dB}))$
$CRS \hat{E}_c < -127 \text{ dBm}$	$\leq 20 \text{ dBm}$

In normal operating conditions, the output power, P_{out} , of the Home BS shall be equal to or less than the value specified in table 4.2.12.2-1 plus 2,7 dB.

In extreme operating conditions, the output power, P_{out} , of the Home BS shall be equal to or less than the value specified in table 4.2.12.2-1 plus 3,2 dB.

4.2.12.3 Conformance

Conformance tests described in clause 5.3.11 shall be carried out.

5 Testing for compliance with technical requirements

5.1 Environmental conditions for testing

Tests defined in the present document shall be carried out at representative points within the boundary limits of the declared operational environmental profile.

Where technical performance varies subject to environmental conditions, tests shall be carried out under a sufficient variety of environmental conditions (within the boundary limits of the declared operational environmental profile) to give confidence of compliance for the affected technical requirements.

Normally it should be sufficient for all tests to be conducted using normal test conditions except where otherwise stated. For guidance on the use of other test conditions to be used in order to show compliance reference can be made to TS 136 141 [2], annex D.

Many tests in the present document are performed with appropriate frequencies in the bottom, middle and top of the operating band of the BS. These are denoted as RF channels B (bottom), M (middle) and T (top) and are defined in TS 136 141 [2], clause 4.7.

The measurement system required for each test is described in TS 136 141 [2], annex I.

5.2 Interpretation of the measurement results

The interpretation of the results recorded in a test report for the measurements described in the present document shall be as follows:

- the measured value related to the corresponding limit will be used to decide whether an equipment meets the requirements of the present document;
- the value of the measurement uncertainty for the measurement of each parameter shall be included in the test report;
- the recorded value of the measurement uncertainty shall be, for each measurement, equal to or lower than the figures in table 5.2-1.

For the test methods, according to the present document, the measurement uncertainty figures shall be calculated and shall correspond to an expansion factor (coverage factor) $k = 1,96$ (which provide confidence levels of respectively 95 % in the case where the distributions characterizing the actual measurement uncertainties are normal (Gaussian)). Principles for the calculation of measurement uncertainty are contained in TR 100 028 [i.5] or TR 102 215 [i.4].

Table 5.2-1 is based on such expansion factors.

Table 5.2-1: Maximum measurement uncertainty

Parameter	Condition	Uncertainty	
Operating band unwanted emissions		$\pm 1,5$ dB	
Adjacent Channel Leakage power Ratio (ACLR)	ACLR	$\pm 0,8$ dB	
	Absolute power	$\pm 2,0$ dB	
Transmitter spurious emissions	For "Spurious emissions" 9 kHz < f ≤ 4 GHz	$\pm 2,0$ dB	
	4 GHz < f ≤ 12,75 GHz	$\pm 4,0$ dB	
	For co-existence requirements (> -60 dBm)	$\pm 2,0$ dB	
	For co-existence requirements (≤ -60 dBm)	$\pm 3,0$ dB	
	For protection of the BS receiver	$\pm 3,0$ dB	
Base Station maximum output power		$\pm 0,7$ dB	
Transmitter intermodulation	For Operating band unwanted emissions	$\pm 2,5$ dB	
	For ACLR	$\pm 2,2$ dB	
	For "Spurious emissions":	f ≤ 2,2 GHz	$\pm 2,5$ dB
		2,2 GHz < f ≤ 4 GHz	$\pm 2,8$ dB
		f > 4 GHz	$\pm 4,5$ dB
	For co-existence requirements	$\pm 2,8$ dB	
Interference signal	$\pm 1,0$ dB		
Receiver spurious emissions	30 MHz ≤ f ≤ 4 GHz	$\pm 2,0$ dB	
	4 GHz < f ≤ 12,75 GHz	$\pm 4,0$ dB	
Blocking characteristics	In-band blocking, using modulated interferer	$\pm 1,6$ dB	
	Out of band blocking, using CW interferer:	1 MHz < f _{interferer} ≤ 3 GHz	$\pm 1,3$ dB
		3 GHz < f _{interferer} ≤ 12,75 GHz	$\pm 3,2$ dB
Receiver intermodulation characteristics		$\pm 1,8$ dB	
Adjacent Channel Selectivity (ACS) and narrow-band blocking		$\pm 1,4$ dB	
NOTE 1: For RF tests, it should be noted that the uncertainties in table 5.2-1 apply to the test system operating into a nominal 50 Ω load and do not include system effects due to mismatch between the EUT and the Test System.			
NOTE 2: Annex G of TR 100 028-2 [i.5] provides guidance for the calculation of the uncertainty components relating to mismatch.			
NOTE 3: If the test system for a test is known to have a measurement uncertainty greater than that specified in table 5.2-1, this equipment can still be used, provided that an adjustment is made follows: any additional uncertainty in the test system over and above that specified in table 5.2-1 is used to tighten the test requirements - making the test harder to pass (for some tests, e.g. receiver tests, this may require modification of stimulus signals). This procedure will ensure that a test system not compliant with table 5.2-1 does not increase the probability of passing an EUT that would otherwise have failed a test if a test system compliant with table 5.2-1 had been used.			

5.3 Essential radio test suites

This clause describes the test suites for E-UTRA (FDD and TDD).

Unless otherwise stated, each test suite shall be performed with the lowest and the highest bandwidth supported by the BS. The manufacturer shall declare that the requirements are fulfilled for all other bandwidths supported by the BS which are not tested.

5.3.1 Operating band unwanted emissions

For an E-UTRA Wide Area BS additionally conforming to EN 301 908-18 [9], either the test suite of the present clause or the Operating band unwanted emissions test suite in clause 5.3.1 of EN 301 908-18 [9] can be equally applied, as listed in table 4.2.1-2.

5.3.1.1 Initial conditions

Test environment: normal, see TS 136 141 [2], clause D.2.

RF channels to be tested: B, M and T, see clause 5.1.

- 1) Connect the signal analyzer to the Base Station RF output port as shown in TS 136 141 [2], clause I.1.1.

As a general rule, the resolution bandwidth of the measuring equipment should be equal to the measurement bandwidth. However, to improve measurement accuracy, sensitivity, efficiency and avoiding e.g. carrier leakage, the resolution bandwidth may be smaller than the measurement bandwidth. When the resolution bandwidth is smaller than the measurement bandwidth, the result should be integrated over the measurement bandwidth in order to obtain the equivalent noise bandwidth of the measurement bandwidth.

- 2) Detection mode: true RMS.

5.3.1.2 Procedure

- 1) Set the BS transmission at maximum total power (P_{max}) as specified by the supplier. Channel set-up shall be according to E-TM 1.1 in TS 136 141 [2].
- 2) Step the centre frequency of the measurement filter in contiguous steps and measure the emission within the specified frequency ranges with the specified measurement bandwidth.
- 3) Repeat the test with the channel set-up according to E-TM 1.2 in TS 136 141 [2].

The results obtained shall be compared to the limits in clause 4.2.2.2 in order to prove compliance.

5.3.2 Adjacent Channel Leakage power Ratio (ACLR)

5.3.2.1 Initial conditions

Test environment: normal, see TS 136 141 [2], clause D.2.

RF channels to be tested: B, M and T with multiple carriers if supported; see clause 5.1.

- 1) Connect measurement device to the Base Station RF output port as shown in TS 136 141 [2], clause I.1.1.
- 2) The measurement device characteristics shall be:
 - measurement filter bandwidth: defined in clause 4.2.3.2;
 - detection mode: true RMS voltage or true average power.
- 3) Set the Base Station to transmit a signal according to E-TM1 in TS 136 141 [2]. The mean power at the RF output port shall be the maximum output power as specified by the manufacturer.
- 4) Set carrier frequency within the frequency band supported by BS.

5.3.2.2 Procedure

- 1) Measure Adjacent channel leakage power ratio for the frequency offsets both side of channel frequency as specified in table 4.2.3.2-1 (Paired spectrum case) or table 4.2.3.2-2 (Unpaired spectrum case) respectively. In multiple carrier case only offset frequencies below the lowest and above the highest carrier frequency transmitted shall be measured.
- 2) Repeat the test with the channel set-up according to E-TM1.2 in TS 136 141 [2].

The results obtained shall be compared to the limits in clause 4.2.3.2 in order to prove compliance.

5.3.3 Transmitter spurious emissions

For an E-UTRA Wide Area BS additionally conforming to EN 301 908-18 [9], either the test suite of the present clause or the Transmitter spurious emissions test suite in clause 5.3.3 of EN 301 908-18 [9] can be equally applied, as listed in table 4.2.1-2.

5.3.3.1 Initial conditions

Test environment: normal, see TS 136 141 [2], clause D.2.

RF channels to be tested: B, M and T, see clause 5.1.

- 1) Connect the BS antenna connector to a measurement receiver according to TS 136 141 [2], clause I.1.1 using an attenuator or a directional coupler if necessary.
- 2) Measurements shall use a measurement bandwidth in accordance to the conditions in TS 136 104 [7], clause 6.6.4.
- 3) Detection mode: true RMS.
- 4) Configure the BS with transmitters active at their maximum output power.

5.3.3.2 Procedure

- 1) Set the BS to transmit a signal according to E-TM1.1 in TS 136 141 [2] at the manufacturer's specified maximum output power.
- 2) Measure the emission at the specified frequencies with specified measurement bandwidth and note that the measured value does not exceed the specified value.

The results obtained shall be compared to the limits in clause 4.2.4.2 in order to prove compliance.

5.3.4 Base Station maximum output power

For an EUTRA Wide Area BS additionally conforming to EN 301 908-18 [9], either the test suite of the present clause or the Base Station maximum output power test suite in clause 5.3.4 of EN 301 908-18 [9] can be equally applied, as listed in table 4.2.1-2.

5.3.4.1 Initial conditions

Test environment: normal, see TS 136 141 [2], clause D.2.

RF channels to be tested: B, M and T, see clause 5.1.

In addition, on one EARFCN only, the test shall be performed under extreme power supply as defined in TS 136 141 [2], clause D.5.

NOTE: Tests under extreme power supply also test extreme temperature.

- 1) Connect the power measuring equipment to the Base Station RF output port as shown in TS 136 141 [2], clause I.1.1.

5.3.4.2 Procedure

- 1) Set the Base Station to transmit a signal according to E-TM1.1 in TS 136 141 [2].
- 2) Measure the mean power at the RF output port.

The results obtained shall be compared to the limits in clause 4.2.5.2 in order to prove compliance.

5.3.5 Transmitter intermodulation

For an EUTRA Wide Area BS additionally conforming to EN 301 908-18 [9], either the test suite of the present clause or the Transmitter intermodulation test suite in clause 5.3.5 of EN 301 908-18 [9] can be equally applied, as listed in table 4.2.1-2.

5.3.5.1 Initial conditions

Test environment: normal, see TS 136 141 [2], clause D.2.

RF channels to be tested: B, M and T, see clause 5.1.

The wanted signal channel bandwidth BW_{Channel} shall be the maximum bandwidth supported by the Base Station.

Connect the signal analyzer to the Base Station RF output port as shown in TS 136 141 [2], clause I.1.2.

5.3.5.2 Procedures

- 1) Generate the wanted signal according to E-TM1.1 in TS 136 141 [2] at specified maximum output power, P_{max} .
- 2) Generate the interfering signal according to E-TM1.1 in TS 136 141 [2], with 5 MHz channel bandwidth and a centre frequency offset according to the conditions of table 4.2.6.2-1.
- 3) Adjust ATT1 so that level of the E-UTRA modulated interfering signal is as defined in clause 4.2.6.2.
- 4) Perform the unwanted emission tests as specified in clauses 5.3.1 and 5.3.2, for all third and fifth order intermodulation products which appear in the frequency ranges defined in clauses 5.3.1 and 5.3.2. The width of the intermodulation products shall be taken into account.
- 5) Perform the Transmitter spurious emissions test as specified in clause 5.3.3, for all third and fifth order intermodulation products which appear in the frequency ranges defined in clause 5.3.3. The width of the intermodulation products shall be taken into account.
- 6) Verify that the emission level does not exceed the required level with the exception of interfering signal frequencies.
- 7) Repeat the test for the remaining interfering signal centre frequency offsets according to the conditions of table 4.2.6.2-1.

NOTE: The third order intermodulation products are centred at $2F1 \pm F2$ and $2F2 \pm F1$. The fifth order intermodulation products are centred at $3F1 \pm 2F2$, $3F2 \pm 2F1$, $4F1 \pm F2$, and $4F2 \pm F1$ where $F1$ represents the wanted signal centre frequency and $F2$ represents the interfering signal centre frequency. The width of intermodulation products is:

- $(n \times BW_{\text{Channel}} + m \times 5 \text{ MHz})$ for the $nF1 \pm mF2$ products;
- $(n \times 5 \text{ MHz} + m \times BW_{\text{Channel}})$ for the $nF2 \pm mF1$ products.

The results obtained shall be compared to the limits in clause 4.2.6.2 in order to prove compliance.

5.3.6 Receiver spurious emissions

For an E-UTRA Wide Area BS additionally conforming to EN 301 908-18 [9], either the test suite of the present clause or the Receiver spurious emissions test suite in clause 5.3.6 of EN 301 908-18 [9] can be equally applied, as listed in table 4.2.1-2.

5.3.6.1 Initial conditions

Test environment: normal, see TS 136 141 [2], clause D.2.

RF channels to be tested: M, see clause 5.1.

- 1) Connect a measurement receiver to the BS antenna connector as shown in TS 136 141 [2], clause I.2.6.
- 2) Enable the BS receiver.
- 3) Terminate the BS TX antenna connector as shown in TS 136 141 [2], clause I.2.6.

5.3.6.2 Procedure

- 1) Start BS transmission according to E-TM 1.1 in TS 136 141 [2] at P_{max}.
- 2) Set measurement equipment parameters as specified in table 4.2.7.2-1.
- 3) Measure the spurious emissions over each frequency range described in clause 4.2.7.2.
- 4) Repeat the test using diversity antenna connector if available.

The results obtained shall be compared to the limits in clause 4.2.7.2 in order to prove compliance.

5.3.7 Blocking characteristics

For an E-UTRA Wide Area BS additionally conforming to EN 301 908-18 [9], either the test suite of the present clause or the In-band and Out-of-band blocking test suites in clauses 5.3.7 and 5.3.8 of EN 301 908-18 [9] can be equally applied, as listed in table 4.2.1-2.

5.3.7.1 Initial conditions

Test environment: normal, see TS 136 141 [2], clause D.2.

RF channels to be tested: M see clause 5.1. The BS shall be configured to operate as close to the centre of the operating band (see table 1-1) as possible.

Channel bandwidths to be tested:

- a) In the frequency range ($F_{UL_low} - 20$) MHz to ($F_{UL_high} + 20$) MHz the requirement shall be tested with the lowest and the highest bandwidth supported by the BS.
 - b) In the frequency ranges 1 MHz to ($F_{UL_low} - 20$) MHz and ($F_{UL_high} + 20$) MHz to 12 750 MHz the requirement shall be tested only with the lowest bandwidth supported by the BS.
- 1) Connect the signal generator for the wanted signal and the signal generator for the interfering signal to the antenna connector of one RX port according to as shown in TS 136 141 [2], clause I.2.5.
 - 2) Terminate any other RX port not under test.
 - 3) Start to transmit according to reference measurement channel as shown in TS 136 141 [2], clause A.1 to the BS under test. The level of the wanted signal measured at the BS antenna connector shall be set to the level specified in clause 4.2.8.2.

5.3.7.2 Procedure

- 1) Adjust the signal generators to the type of interfering signals, levels and the frequency offsets as specified in tables 4.2.8.2-1, 4.2.8.2-2 or 4.2.8.2-3 and 4.2.8.2-4. The E-UTRA interfering signal shall be swept with a step size of 1 MHz starting from the minimum offset to the channel edges of the wanted signal as specified in table 4.2.8.2-4. The CW interfering signal shall be swept with a step size of 1 MHz within the range specified in table 4.2.8.2-1, 4.2.8.2-2 or 4.2.8.2-3.
- 2) Measure the throughput of the wanted signal at the BS receiver according to TS 136 141 [2], annex E.
- 3) Interchange the connections of the BS RX ports and repeat the measurements according to steps 1) to 2).

The results obtained shall be compared to the limits in clause 4.2.8.2 in order to prove compliance.

5.3.8 Receiver intermodulation characteristics

For an E-UTRA Wide Area BS additionally conforming to EN 301 908-18 [9], either the test suite of the present clause or the Receiver intermodulation test suite in clause 5.3.9 of EN 301 908-18 [9] can be equally applied, as listed in table 4.2.1-2.

5.3.8.1 Initial conditions

Test environment: normal, see TS 136 141 [2], clause D.2.

RF channels to be tested: B, M and T, see clause 5.1.

- 1) Set-up the measurement system as shown in TS 136 141 [2], clause I.2.7.

5.3.8.2 Procedures

- 1) Generate the wanted signal and adjust the signal level to the BS under test to the level specified in table 4.2.9.2-1.
- 2) Adjust the signal generators to the type of interfering signals, levels and the frequency offsets as specified in table 4.2.9.2-1 and table 4.2.9.2-2 for intermodulation requirement, table 4.2.9.2-3 for Wide Area BS narrowband intermodulation requirement, table 4.2.9.2-4 for Local Area BS narrowband intermodulation requirement and table 4.2.9.2-5 for Home BS narrowband intermodulation requirement.
- 3) Measure the throughput according to TS 136 141 [2], annex E.
- 4) Repeat the whole test for the port which was terminated.

The results obtained shall be compared to the limits in clause 4.2.9.2 in order to prove compliance.

5.3.9 Adjacent Channel Selectivity (ACS) and narrow-band blocking

For an E-UTRA Wide Area BS additionally conforming to EN 301 908-18 [9], either the test suite of the present clause or the Narrowband blocking test suite in clause 5.3.10 of EN 301 908-18 [9] can be equally applied, as listed in table 4.2.1-2.

5.3.9.1 Initial conditions

Test environment: normal, see TS 136 141 [2], clause D.2.

RF channels to be tested: B, M and T, see clause 5.1.

- 1) Set-up the measurement system as shown in TS 136 141 [2], clause I.2.4.

5.3.9.2 Procedure for Adjacent Channel Selectivity

- 1) Generate the wanted signal and adjust the input level to the Base Station under test to the level specified in table 4.2.10.2-3 for Wide Area BS, in table 4.2.10.2-4 for Local Area BS and in table 4.2.10.2-4 for Home BS.
- 2) Set-up the interfering signal at the adjacent channel frequency and adjust the interfering signal level at the Base Station input to the level defined in table 4.2.10.2-3 for Wide Area BS, in table 4.2.10.2-4 for Local Area BS and in table 4.2.10.2-5 for Home BS.
- 3) Measure the throughput according to TS 136 141 [2], annex E.
- 4) Repeat the test for the port, which was terminated.

5.3.9.3 Procedure for narrow-band blocking

- 1) Generate the wanted signal and adjust the input level to the Base Station under test to the level specified in table 4.2.10.2-1.
- 2) Adjust the interfering signal level at the Base Station input to the level defined in table 4.2.10.2-1. Set-up and sweep the interfering RB centre frequency offset to the channel edge of the wanted signal according to table 4.2.10.2-2.
- 3) Measure the throughput according to TS 136 141 [2], annex E.
- 4) Repeat the test for the port, which was terminated.

The results obtained shall be compared to the limits in clause 4.2.10.2 in order to prove compliance.

5.3.10 Home BS output power for adjacent channel protection

5.3.10.1 Initial conditions

Test environment: Normal; see TS 136 141 [2], clause D.2.

RF channels to be tested: M; see clause 5.1.

- 1) Set-up the equipment as shown in TS 136 141 [2], clause I.1-4.
- 2) The Home BS is configured such that the adjacent channel is known to belong to another operator.

5.3.10.2 Procedure

- 1) Connect the combined downlink interfering signals (referred to as point D in figure I.1-4 of TS 136 141 [2]) to the dedicated measurement port (referred to as point 1 in figure I.1-4 of TS 136 141 [2]) if available, otherwise connect to point 2.
- 2) Configure the signal generator for co-channel interference to transmit AWGN over a bandwidth according to BW_{Config} centred on RF channel M.
- 3) Configure the signal generator for adjacent channel DL signal to transmit test model 1 in TS 125 141 [8] at the centre frequency equal to $RF\ channel\ M + BW_{Channel}/2 + 2,5\ MHz$.
- 4) Switch on signal generators delivering co-channel and adjacent channel interferers, and adjust the ATT1 and ATT2 such that $CPICH\ \hat{E}_c = -80\ dBm$ and $I_{oh} = -50\ dBm$.
- 5) Trigger the Home BS power adjustment mechanism.
- 6) Configure the Home BS to transmit a signal according to E-TM1.1 in TS 136 141 [2]. The signal shall be transmitted with the maximum allowed output power.
- 7) Measure Home BS output power, P_{out} , and check it is below the required value according to the $CPICH\ \hat{E}_c$ and I_{oh} values determined in step 4.

- 8) Repeat steps 3) to 7) with the frequency in step 3 set to RF channel M - $BW_{\text{Channel}}/2 - 2,5$ MHz.
- 9) Repeat steps 3) to 8) with different settings for ATT1 and ATT2 to arrive the CPICH \hat{E}_c and Ioh pairs as specified in table 5.3.10.2-1.

Table 5.3.10.2-1: Test parameter settings

Test Case	CPICH \hat{E}_c (dBm)	Ioh (dBm)
2	-90	-60
3	-100	-70
4	-100	-50

The results obtained shall be compared to the limits in clause 4.2.11.2 in order to prove compliance.

5.3.11 Home BS output power for adjacent E-UTRA channel protection

5.3.11.1 Initial conditions

Test environment: Normal; see clause D.2.

RF channels to be tested: M; see clause 5.1.

In addition, on one EARFCN only, the test shall be performed under extreme power supply as defined in clause D.5 of TS 136 141 [2].

NOTE: Tests under extreme power supply also test extreme temperature.

Signal generators delivering co-channel and adjacent channel interferers are switched off.

- 1) Set-up the equipment as shown as shown in TS 136 141 [2], clause I.1-4.
- 2) The Home BS is configured such that the adjacent channel is known to belong to another operator.

5.3.11.2 Procedure

- 1) Connect the combined downlink interfering signals (referred to as point D in figure I.1-4 of TS 136 141 [2]) to the dedicated measurement port (referred to as point 1 in figure I.1-4 of TS 136 141 [2]) if available, otherwise connect to point 2.
- 2) Configure the signal generator for co-channel interference to transmit AWGN over a bandwidth according to BW_{Config} centred on RF channel M.
- 3) Configure the signal generator for adjacent channel DL signal to transmit a signal according to E-TM1.1 in TS 136 141 [2] at the centre frequency equal to RF channel M + BW_{Channel} MHz.
- 4) Switch on signal generators delivering co-channel and adjacent channel interferers, and adjust the ATT1 and ATT2 such that $\text{CRS } \hat{E}_c = -65 - 10 \cdot \log_{10}(N_{RB}^{DL} \cdot N_{sc}^{RB})$ dBm and Ioh = -50 dBm.
- 5) Trigger the Home BS power adjustment mechanism.
- 6) Configure the Home BS to transmit a signal according to E-TM1.1 in TS 136 141 [2].

NOTE: The signal shall be transmitted with the maximum allowed output power.

- 7) Measure Home BS output power, Pout, and check it is below the required value according to the CRS \hat{E}_c and Ioh values determined in step 4.
- 8) Repeat steps 3) to 7) with the frequency in step 3 set to RF channel M - BW_{Channel} MHz.
- 9) Repeat steps 3) to 8) with different settings for ATT1 and ATT2 to arrive the CRS \hat{E}_c and Ioh pairs as specified in table 5.3.11.2-1.

Table 5.3.11.2-1: CRS \hat{E}_c and Ioh pairs

Test Case	CRS \hat{E}_c (dBm)	Ioh (dBm)
2	$-75 - 10 \cdot \log_{10} \left(N_{RB}^{DL} \cdot N_{sc}^{RB} \right)$	-60
3	$-90 - 10 \cdot \log_{10} \left(N_{RB}^{DL} \cdot N_{sc}^{RB} \right)$	-70
4	$-90 - 10 \cdot \log_{10} \left(N_{RB}^{DL} \cdot N_{sc}^{RB} \right)$	-50

The results obtained shall be compared to the limits in clause 4.2.12.2 in order to prove compliance.

Annex A (normative): HS Requirements and conformance Test specifications Table (HS-RTT)

The HS Requirements and conformance Test specifications Table (HS-RTT) in table A-1 serves a number of purposes, as follows:

- it provides a statement of all the requirements in words and by cross reference to (a) specific clause(s) in the present document or to (a) specific clause(s) in (a) specific referenced document(s);
- it provides a statement of all the test procedures corresponding to those requirements by cross reference to (a) specific clause(s) in the present document or to (a) specific clause(s) in (a) specific referenced document(s);
- it qualifies each requirement to be either:
 - Unconditional: meaning that the requirement applies in all circumstances; or
 - Conditional: meaning that the requirement is dependant on the manufacturer having chosen to support optional functionality defined within the schedule.
- in the case of Conditional requirements, it associates the requirement with the particular optional service or functionality;
- it qualifies each test procedure to be either:
 - Essential: meaning that it is included with the Essential Radio Test Suite and therefore the requirement shall be demonstrated to be met in accordance with the referenced procedures;
 - Other: meaning that the test procedure is illustrative but other means of demonstrating compliance with the requirement are permitted.

Table A-1: HS Requirements and conformance Test specifications Table (HS-RTT)

Harmonized Standard EN 301 908-14						
The following requirements and test specifications are relevant to the presumption of conformity under the article 3.2 of the R&TTE Directive [i.2]						
Requirement			Requirement Conditionality		Test Specification	
No	Description	Reference: Clause No	U/C	Condition	E/O	Reference: Clause No
1	Operating band unwanted emissions	4.2.2	U		E	5.3.1
2	Adjacent Channel Leakage power Ratio (ACLR)	4.2.3	U		E	5.3.2
3	Transmitter spurious emissions	4.2.4	U		E	5.3.3
4	Base Station maximum output power	4.2.5	U		E	5.3.4
5	Transmit intermodulation	4.2.6	U		E	5.3.5
6	Receiver spurious emissions	4.2.7	U		E	5.3.6
7	Blocking characteristics	4.2.8	U		E	5.3.7
8	Receiver intermodulation characteristics	4.2.9	U		E	5.3.8
9	Adjacent Channel Selectivity (ACS) and narrow-band blocking	4.2.10	U		E	5.3.9
10	Home BS output power for adjacent UTRA channel protection	4.2.11	C	Applies to BS declared as Home Base Station.	E	5.3.10

Harmonized Standard EN 301 908-14						
The following requirements and test specifications are relevant to the presumption of conformity under the article 3.2 of the R&TTE Directive [i.2]						
Requirement			Requirement Conditionality		Test Specification	
No	Description	Reference: Clause No	U/C	Condition	E/O	Reference: Clause No
11	Home BS output power for adjacent E-UTRA channel protection	4.2.12	C	Applies to BS declared as Home Base Station.	E	5.3.11

Key to columns:**Requirement:**

No A unique identifier for one row of the table which may be used to identify a requirement or its test specification.

Description A textual reference to the requirement.

Clause Number Identification of clause(s) defining the requirement in the present document unless another document is referenced explicitly.

Requirement Conditionality:

U/C Indicates whether the requirement is to be *unconditionally* applicable (U) or is *conditional* upon the manufacturers claimed functionality of the equipment (C).

Condition Explains the conditions when the requirement shall or shall not be applicable for a technical requirement which is classified "conditional".

Test Specification:

E/O Indicates whether the test specification forms part of the Essential Radio Test Suite (E) or whether it is one of the Other Test Suite (O).

NOTE: All tests whether "E" or "O" are relevant to the requirements. Rows designated "E" collectively make up the Essential Radio Test Suite; those designated "O" make up the Other Test Suite; for those designated "X" there is no test specified corresponding to the requirement. The completion of all tests classified "E" as specified with satisfactory outcomes is a necessary condition for a presumption of conformity. Compliance with requirements associated with tests classified "O" or "X" is a necessary condition for presumption of conformity, although conformance with the requirement may be claimed by an equivalent test or by manufacturer's assertion supported by appropriate entries in the technical construction file.

Clause Number Identification of clause(s) defining the test specification in the present document unless another document is referenced explicitly. Where no test is specified (that is, where the previous field is "X") this field remains blank.

Annex B (normative): Base Station configurations

B.1 Receiver diversity

For the tests in clause 5, the requirement applies at each receiver antenna connector.

Receiver requirements are tested at the antenna connector, with the remaining receiver(s) disabled or their antenna connector(s) being terminated. If the manufacturer has declared the receiver paths to be equivalent, it is sufficient to apply the specified test signal at any one of the receiver antenna connectors.

B.2 Duplexers

The requirements of the present document shall be met with a duplexer fitted, if a duplexer is supplied as part of the BS. If the duplexer is supplied as an option by the manufacturer, sufficient tests should be repeated with and without the duplexer fitted to verify that the BS meets the requirements of the present document in both cases.

The following tests shall be performed with the duplexer fitted, and without it fitted if this is an option:

- 1) clause 5.3.4, Base Station output power, for the highest static power step only, if this is measured at the antenna connector;
- 2) clause 5.3.3, transmitter spurious emissions; outside the BS transmit band;
- 3) clause 5.3.5, transmit intermodulation; for the testing of conformance, the carrier frequencies should be selected to minimize intermodulation products from the transmitters falling in receive channels.

The remaining tests may be performed with or without the duplexer fitted.

NOTE 1: When performing receiver tests with a duplexer fitted, it is important to ensure that the output from the transmitters does not affect the test apparatus. This can be achieved using a combination of attenuators, isolators and filters.

NOTE 2: When duplexers are used, intermodulation products will be generated, not only in the duplexer but also in the antenna system. The intermodulation products generated in the antenna system are not controlled by the specifications, and may degrade during operation (e.g. due to moisture ingress). Therefore, to ensure continued satisfactory operation of a BS, an operator will normally select EARFCNs to minimize intermodulation products falling on receive channels. For testing of complete conformance, an operator may specify the EARFCNs to be used.

B.3 Power supply options

If the BS is supplied with a number of different power supply configurations, it may not be necessary to test RF parameters for each of the power supply options, provided that it can be demonstrated that the range of conditions over which the equipment is tested is at least as great as the range of conditions due to any of the power supply configurations.

This applies particularly if a BS contains a DC rail which can be supplied either externally or from an internal mains power supply. In this case, the conditions of extreme power supply for the mains power supply options can be tested by testing only the external DC supply option. The range of DC input voltages for the test should be sufficient to verify the performance with any of the power supplies, over its range of operating conditions within the BS, including variation of mains input voltage, temperature and output current.

B.4 Ancillary RF amplifiers

The requirements of the present document shall be met with the ancillary RF amplifier fitted. At tests according to clause 5, the ancillary amplifier is connected to the BS by a connecting network (including any cable(s), attenuator(s), etc.) with applicable loss to make sure the appropriate operating conditions of the ancillary amplifier and the BS. The applicable connecting network loss range is declared by the manufacturer. Other characteristics and the temperature dependence of the attenuation of the connecting network are neglected. The actual attenuation value of the connecting network is chosen for each test as one of the applicable extreme values. The lowest value is used unless otherwise stated.

Sufficient tests should be repeated with the ancillary amplifier fitted and, if it is optional, without the ancillary RF amplifier to verify that the BS meets the requirements of the present document in both cases.

When testing, the following tests shall be repeated with the optional ancillary amplifier fitted according to table B.4-1, where x denotes that the test is applicable.

Table B.4-1: Tests applicable to Ancillary RF Amplifiers

	Clause	TX amplifier only	RX amplifier only	TX/RX amplifiers combined (see note)
Receiver Tests	5.3.9 (Narrowband blocking)		X	X
	5.3.7		X	X
	5.3.6		X	X
	5.3.8		X	
Transmitter Tests	5.3.1	X		X
	5.3.2	X		X
	5.3.3	X		X
	5.3.4	X		X
	5.3.5	X		X
NOTE: Combining can be by duplex filters or any other network. The amplifiers can either be in RX or TX branch or in both. Either one of these amplifiers could be a passive network.				

In test according to clause 5.3.4, the highest applicable attenuation value is applied.

B.5 BS using antenna arrays

A BS may be configured with a multiple antenna port connection for some or all of its transceivers or with an antenna array related to one cell (not one array per transceiver). This clause applies to a BS which meets at least one of the following conditions:

- the transmitter output signals from one or more transceiver appear at more than one antenna port; or
- there is more than one receiver antenna port for a transceiver or per cell and an input signal is required at more than one port for the correct operation of the receiver thus the outputs from the transmitters as well as the inputs to the receivers are directly connected to several antennas (known as "aircombining"); or

NOTE: Diversity reception does not meet this requirement.

- transmitters and receivers are connected via duplexers to more than one antenna.

In case of diversity or spatial multiplexing, multiple antennas are not considered as an antenna array.

If a BS is used, in normal operation, in conjunction with an antenna system which contains filters or active elements which are necessary to meet the E-UTRA requirements, the conformance tests may be performed on a system comprising the BS together with these elements, supplied separately for the purposes of testing. In this case, it must be demonstrated that the performance of the configuration under test is representative of the system in normal operation, and the conformance assessment is only applicable when the BS is used with the antenna system.

For conformance testing of such a BS, the following procedure may be used.

B.5.1 Receiver tests

For each test, the test signals applied to the receiver antenna connectors shall be such that the sum of the powers of the signals applied equals the power of the test signal(s) specified in the test.

An example of a suitable test configuration is shown in figure B.5.1-1.

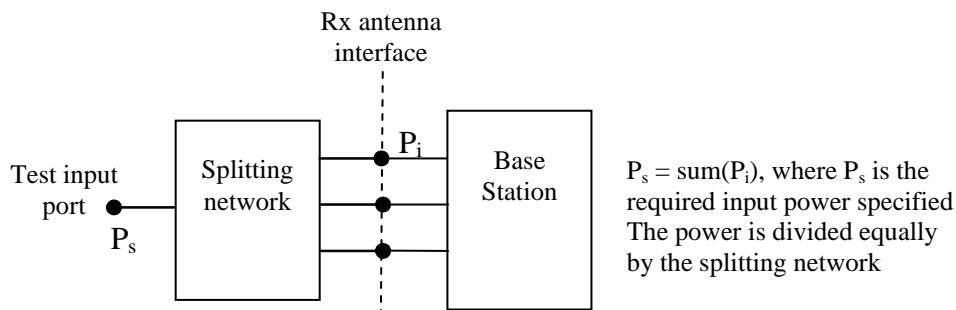


Figure B.5.1-1: Receiver test set-up

For spurious emissions from the receiver antenna connector, the test may be performed separately for each receiver antenna connector.

B.5.2 Transmitter tests

For each test, the test signals applied to the transmitter antenna connectors (P_i) shall be such that the sum of the powers of the signals applied equals the power of the test signal(s) (P_s) specified in the test. This may be assessed by separately measuring the signals emitted by each antenna connector and summing the results, or by combining the signals and performing a single measurement. The characteristics (e.g. amplitude and phase) of the combining network should be such that the power of the combined signal is maximized.

An example of a suitable test configuration is shown in figure B.5.2-1.

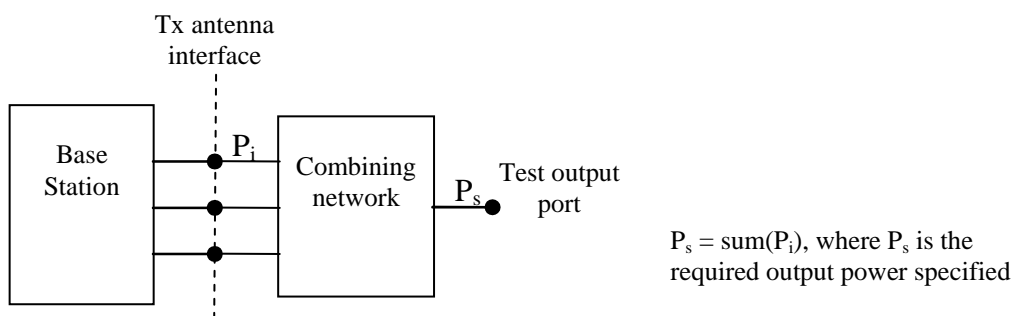


Figure B.5.2-1: Transmitter test set-up

For Intermodulation attenuation, the test may be performed separately for each transmitter antenna connector.

B.6 Transmit diversity and MIMO transmission

Unless otherwise stated, for the tests in clause 5, the requirement applies for each transmitter antenna connector.

Transmitter requirements are tested at the antenna connector, with the remaining antenna connector(s) being terminated. If the manufacturer has declared the transmitter paths to be equivalent, it is sufficient to measure the signal at any one of the transmitter antenna connectors.

B.7 BS with integrated Iuant BS modem

Unless otherwise stated, for the tests in the present document, the integrated Iuant BS modem shall be switched off. Spurious emissions according to clauses 5.3.3 and 5.3.6 shall be measured only for frequencies above 20 MHz with the integrated Iuant BS modem switched on.

Annex C (informative): Environmental profile specification

The following environmental conditions may be declared by the supplier:

- barometric pressure: minimum and maximum;
- temperature: minimum and maximum;
- relative humidity: minimum and maximum;
- power supply: lower and upper voltage limit.

When operating outside the boundary limits of the declared operational environmental profile the equipment should not make ineffective use of the radio frequency spectrum so as to cause harmful interference.

Annex D (informative): The EN title in the official languages

The enlargement of the European Union (EU) resulted in a requirement from the EU for a larger number of languages for the translation of the titles of Harmonized Standards and mandated ENs that are to be listed in the Official Journal to support the implementation of this legislation.

For this reason the title translation concerning the present document can be consulted via the [e-approval](#) application.

Annex E (informative): Bibliography

- Directive 2004/108/EC of the European Parliament and of the Council of 15 December 2004 on the approximation of the laws of the Member States relating to electromagnetic compatibility and repealing Directive 89/336/EEC (EMC Directive).
- Directive 2006/95/EC of the European Parliament and of the Council of 12 December 2006 on the harmonisation of the laws of Member States relating to electrical equipment designed for use within certain voltage limits (LV Directive).
- CEPT/ERC/REC 74-01 (Siófok 1998, Nice 1999, Sesimbra 2002, Hradec Kralove 2005): "Unwanted Emissions in the Spurious Domain".
- Commission Decision 2008/477/EC of 13 June 2008 on the harmonisation of the 2 500-2 690 MHz frequency band for terrestrial systems capable of providing electronic communications services in the Community.
- Commission Decision 2010/267/EU of 6 May 2010 on harmonised technical conditions of use in the 790-862 MHz frequency band for terrestrial systems capable of providing electronic communications services in the European Union.

History

Document history		
V4.2.1	March 2010	Publication
V5.1.1	July 2010	Public Enquiry PE 20101109: 2010-07-12 to 2010-11-09
V5.2.1	February 2011	Vote V 20110412: 2011-02-11 to 2011-04-12
V5.2.1	May 2011	Publication