

# ETSI EN 301 908-10 V4.2.2 (2016-11)



**Electromagnetic compatibility and  
Radio spectrum Matters (ERM);  
Base Stations (BS), Repeaters and User Equipment (UE) for  
IMT-2000 Third-Generation cellular networks;  
Part 10: Harmonised Standard for IMT-2000,  
FDMA/TDMA (DECT) covering the essential requirements  
of article 3.2 of the Directive 2014/53/EU**

---

**Reference**

REN/DECT-000302-C1

---

**Keywords**DECT, digital, generic, IMT-2000, radio,  
regulation, testing**ETSI**

---

650 Route des Lucioles  
F-06921 Sophia Antipolis Cedex - FRANCE

Tel.: +33 4 92 94 42 00 Fax: +33 4 93 65 47 16

Siret N° 348 623 562 00017 - NAF 742 C  
Association à but non lucratif enregistrée à la  
Sous-Préfecture de Grasse (06) N° 7803/88

---

**Important notice**The present document can be downloaded from:  
<http://www.etsi.org/standards-search>

The present document may be made available in electronic versions and/or in print. The content of any electronic and/or print versions of the present document shall not be modified without the prior written authorization of ETSI. In case of any existing or perceived difference in contents between such versions and/or in print, the only prevailing document is the print of the Portable Document Format (PDF) version kept on a specific network drive within ETSI Secretariat.

Users of the present document should be aware that the document may be subject to revision or change of status. Information on the current status of this and other ETSI documents is available at  
<https://portal.etsi.org/TB/ETSIDeliverableStatus.aspx>

If you find errors in the present document, please send your comment to one of the following services:  
<https://portal.etsi.org/People/CommiteeSupportStaff.aspx>

---

**Copyright Notification**

No part may be reproduced or utilized in any form or by any means, electronic or mechanical, including photocopying and microfilm except as authorized by written permission of ETSI.

The content of the PDF version shall not be modified without the written authorization of ETSI.  
The copyright and the foregoing restriction extend to reproduction in all media.

© European Telecommunications Standards Institute 2016.  
All rights reserved.

**DECT™**, **PLUGTESTS™**, **UMTS™** and the ETSI logo are Trade Marks of ETSI registered for the benefit of its Members.  
**3GPP™** and **LTE™** are Trade Marks of ETSI registered for the benefit of its Members and of the 3GPP Organizational Partners.  
**GSM®** and the GSM logo are Trade Marks registered and owned by the GSM Association.

# Contents

Intellectual Property Rights .....	10
Foreword.....	10
Modal verbs terminology.....	11
1 Scope .....	12
2 References .....	12
2.1 Normative references .....	12
2.2 Informative references.....	13
3 Definitions, symbols and abbreviations .....	14
3.1 Definitions.....	14
3.2 Symbols.....	17
3.3 Abbreviations .....	17
4 Technical requirements specifications .....	18
4.1 Environmental profile.....	18
4.2 Overview .....	18
4.2.0 General.....	18
4.2.1 Test suites .....	18
4.2.2 Test groups.....	19
4.2.3 Test cases .....	19
4.3 Applicant's declaration .....	19
4.4 Applicability of test suites.....	20
4.4.1 Introduction.....	20
4.4.2 Equipment that includes only a DECT RF receiver.....	20
4.4.3 Equipment that includes a radio transmitter .....	20
4.4.4 CTAs.....	20
4.4.5 Equipment with combined FT and PT functionality.....	20
4.4.5.1 Introduction.....	20
4.4.5.2 Wireless Relay Station .....	20
4.4.5.3 Direct PP to PP communication .....	20
4.4.5.4 Distributed communications .....	21
4.4.6 Equipment that is capable of using higher level modulation .....	21
4.5 Conformance requirements .....	21
4.5.1 General.....	21
4.5.2 Accuracy and stability of RF carriers .....	21
4.5.2.1 Definition of nominal position of RF carriers .....	21
4.5.2.2 Limits .....	21
4.5.2.3 Conformance .....	22
4.5.3 Accuracy and stability of timing parameters .....	22
4.5.3.0 General .....	22
4.5.3.1 Definitions.....	22
4.5.3.1.1 Slot structure.....	22
4.5.3.1.2 Definition of the position of p0 .....	22
4.5.3.2 Limits .....	22
4.5.3.2.1 Reference timer accuracy and stability.....	22
4.5.3.2.2 RFP transmission jitter .....	22
4.5.3.2.3 PP reference timer synchronization.....	23
4.5.3.3 Conformance.....	23
4.5.4 Transmission burst.....	23
4.5.4.1 Definitions.....	23
4.5.4.1.1 Introduction .....	23
4.5.4.1.2 Physical packets.....	24
4.5.4.1.3 Transmitted power.....	24
4.5.4.1.4 Normal Transmitted Power (NTP) .....	24
4.5.4.1.5 Transmitter attack time.....	24
4.5.4.1.6 Transmitter release time .....	24

4.5.4.1.7	Minimum power .....	24
4.5.4.1.8	Maximum power .....	24
4.5.4.1.9	Maintenance of transmission after packet end.....	24
4.5.4.1.10	Transmitter idle power output .....	24
4.5.4.2	Limits .....	24
4.5.4.2.1	Transmitter attack time.....	24
4.5.4.2.2	Transmitter release time .....	24
4.5.4.2.3	Minimum power .....	24
4.5.4.2.4	Maximum power .....	25
4.5.4.2.5	Maintenance of transmission after packet end.....	25
4.5.4.2.6	Transmitter idle power output .....	25
4.5.4.3	Conformance.....	25
4.5.5	Transmitted power .....	25
4.5.5.1	Definitions.....	25
4.5.5.1.1	PP and RFP with an integral antenna .....	25
4.5.5.1.2	PP and RFP with external connections for all antennas .....	25
4.5.5.1.3	PP and RFP with both integral and external antennas .....	25
4.5.5.2	Limits .....	25
4.5.5.3	Conformance.....	25
4.5.6	RF carrier modulation.....	26
4.5.6.1	Definition .....	26
4.5.6.2	Limits .....	26
4.5.6.3	Conformance.....	26
4.5.7	Unwanted RF power radiation .....	26
4.5.7.1	General .....	26
4.5.7.2	Emissions due to modulation .....	26
4.5.7.2.1	Definition.....	26
4.5.7.2.2	Limits .....	27
4.5.7.2.3	Conformance .....	27
4.5.7.3	Emissions due to transmitter transients .....	27
4.5.7.3.1	Definition.....	27
4.5.7.3.2	Limits .....	27
4.5.7.3.3	Conformance .....	27
4.5.7.4	Emissions due to intermodulation .....	27
4.5.7.4.1	Definition.....	27
4.5.7.4.2	Limits .....	28
4.5.7.4.3	Conformance .....	28
4.5.7.5	Spurious emissions when allocated a transmit channel.....	28
4.5.7.5.1	Definition.....	28
4.5.7.5.2	Limits .....	28
4.5.7.5.3	Conformance .....	28
4.5.8	Radio receiver testing .....	28
4.5.8.1	Radio receiver sensitivity .....	28
4.5.8.1.1	Definition.....	28
4.5.8.1.2	Limits .....	28
4.5.8.1.3	Conformance .....	29
4.5.8.2	Radio receiver reference BER and FER.....	29
4.5.8.2.1	Definition.....	29
4.5.8.2.2	Limits .....	29
4.5.8.2.3	Conformance .....	29
4.5.8.3	Radio receiver interference performance .....	29
4.5.8.3.1	Definition.....	29
4.5.8.3.2	Limits .....	29
4.5.8.3.3	Conformance .....	29
4.5.8.4	Radio receiver blocking case 1: owing to signals occurring at the same time but on other frequencies .....	30
4.5.8.4.1	Definition.....	30
4.5.8.4.2	Limits .....	30
4.5.8.4.3	Conformance .....	30
4.5.8.5	Radio receiver blocking case 2: owing to signals occurring at a different time .....	30
4.5.8.5.1	Definition.....	30
4.5.8.5.2	Limits .....	30

4.5.8.5.3	Conformance .....	30
4.5.8.6	Receiver intermodulation performance .....	31
4.5.8.6.1	Definition.....	31
4.5.8.6.2	Limits .....	31
4.5.8.6.3	Conformance .....	31
4.5.8.7	Spurious emissions when the PP has no allocated transmit channel .....	31
4.5.8.7.1	Definition.....	31
4.5.8.7.2	Limits .....	31
4.5.8.7.3	Conformance .....	31
4.5.9	Channel access.....	32
4.5.9.1	Channel selection .....	32
4.5.9.2	Channel confirmation.....	32
4.5.9.2.1	For the PT.....	32
4.5.9.2.2	For the FT .....	32
4.5.9.3	Channel release .....	32
4.5.9.4	General .....	33
4.5.9.5	Channel selection and confirmation for DECT ULE .....	33
4.5.9.5.1	General .....	33
4.5.9.5.2	For the PT.....	33
4.5.9.5.3	For the FT.....	33
4.5.10	WRS testing.....	33
4.5.10.1	General requirements .....	33
4.5.10.2	Testing as a PP .....	34
4.5.10.3	Testing as an RFP .....	34
4.5.10.4	Additional requirements.....	34
4.5.10.5	Conformance.....	38
4.5.11	Requirements for PPs with direct PP to PP communication mode .....	38
4.5.11.1	General requirements .....	38
4.5.11.2	Setting the EUT in direct communications mode.....	38
4.5.11.3	When the EUT has not initiated a call.....	39
4.5.11.4	When the EUT initiates a call .....	39
4.5.11.5	Conformance.....	39
4.5.12	Distributed communications .....	39
4.5.12.1	General requirements .....	39
4.5.12.2	Testing as a PP .....	40
4.5.12.3	Testing as an RFP .....	40
4.5.12.4	Conformance.....	40
4.5.13	Higher level modulation options.....	40
4.5.13.1	Requirements .....	40
4.5.13.2	Conformance.....	41
5	Testing for compliance with technical requirements.....	41
5.1	General test requirements .....	41
5.1.1	Test philosophy.....	41
5.1.2	Standard position .....	42
5.1.3	Test antenna of the LT .....	43
5.1.4	Substitution antenna.....	43
5.1.5	Test fixture.....	43
5.1.5.1	Description .....	43
5.1.5.2	Calibration of the test fixture for the measurement of transmitter characteristics.....	44
5.1.5.3	Calibration of the test fixture for the measurement of receiver characteristics .....	44
5.1.5.4	Mode of use.....	45
5.1.6	Equipment with a temporary or internal permanent antenna connector.....	45
5.1.6.1	General .....	45
5.1.6.2	Equipment with a temporary antenna connector .....	45
5.1.7	Lower Tester (LT) .....	45
5.1.7.1	Description .....	45
5.1.7.2	Connections between the EUT and the LT .....	46
5.1.7.3	Functions and abilities.....	46
5.1.7.4	Signal generation uncertainty.....	46
5.1.7.5	Modulated DECT-like carrier .....	47
5.1.7.6	CW interferers.....	47

5.1.7.7	DECT RF signal.....	47
5.1.7.8	Test modulation signals.....	47
5.1.8	Upper Tester (UT) .....	47
5.1.8.1	Description of the UT.....	47
5.1.8.2	The test standby mode.....	47
5.1.8.3	Test messages.....	48
5.1.8.4	Dummy setting when EUT is a RFP and it is in Test Standby Mode (TSM).....	48
5.1.9	Description of the Lower Tester FT and PT .....	48
5.1.10	General test methods.....	48
5.1.10.1	General .....	48
5.1.10.2	Sampling the RF signal .....	49
5.1.10.2.1	Introduction .....	49
5.1.10.2.2	Sampling method.....	49
5.1.10.3	Determining the reference position .....	49
5.1.10.3.0	General .....	49
5.1.10.3.1	Case 1: EUTs that cannot transmit .....	49
5.1.10.3.2	Case 2: EUTs that can transmit .....	49
5.1.10.4	Bit error rate (BER) and Frame Error Ratio (FER) measurements .....	49
5.1.11	Test setup.....	50
5.1.11.1	General .....	50
5.1.11.2	Test setup 1 .....	50
5.1.11.3	Test setup 2 .....	50
5.1.11.4	Test setup 3 .....	51
5.1.11.5	Test setup 4 .....	51
5.1.11.6	Test setup 5 .....	51
5.1.12	Test arrangements for intermodulation measurements .....	52
5.1.12.1	PT to PT arrangement .....	52
5.1.12.2	FT to FT arrangement .....	53
5.1.12.3	FT to PT arrangement .....	53
5.1.13	Test conditions, power supply and ambient temperatures .....	54
5.1.13.1	General .....	54
5.1.13.2	Nominal test conditions.....	54
5.1.13.3	Extreme test conditions .....	55
5.1.13.4	Test power source - general requirements.....	56
5.1.13.5	Nominal test power source.....	56
5.1.13.5.1	Mains voltage .....	56
5.1.13.5.2	Regulated lead acid battery power sources.....	56
5.1.13.5.3	Nickel cadmium battery.....	56
5.1.13.5.4	Other power sources .....	56
5.1.13.6	Extreme test power source .....	56
5.1.13.6.1	Mains voltage .....	56
5.1.13.6.2	Regulated lead acid battery power sources.....	56
5.1.13.6.3	Nickel cadmium battery.....	56
5.1.13.6.4	Other power sources .....	57
5.1.13.7	Testing of host connected equipment and plug-in cards .....	57
5.1.13.7.1	Approaches .....	57
5.1.13.7.2	Alternative A: composite equipment.....	57
5.1.13.7.3	Alternative B: use of a test jig and three hosts .....	57
5.2	Interpretation of the measurement results .....	58
5.3	Radio test suites.....	58
5.3.1	General.....	58
5.3.2	Accuracy and stability of RF carriers .....	58
5.3.2.1	Test environment.....	58
5.3.2.2	Method of measurement.....	59
5.3.2.3	Verdict criteria when the EUT is a RFP.....	59
5.3.2.4	Verdict criteria when the EUT is a PP .....	59
5.3.3	Accuracy and stability of timing parameters .....	60
5.3.3.1	Measurement of packet timing jitter .....	60
5.3.3.1.1	Test environment.....	60
5.3.3.1.2	Method of measurement .....	60
5.3.3.1.3	Verdict criteria.....	60
5.3.3.2	Measurement of the reference timing accuracy of a RFP .....	60

5.3.3.2.1	Test environment .....	60
5.3.3.2.2	Method of measurement .....	61
5.3.3.2.3	Verdict criteria .....	61
5.3.3.3	Measurement of packet transmission accuracy of a PP .....	61
5.3.3.3.1	Test environment .....	61
5.3.3.3.2	Method of measurement .....	61
5.3.3.3.3	Verdict criteria .....	62
5.3.4	Transmission burst .....	62
5.3.4.1	Test environment .....	62
5.3.4.2	Method of measurement .....	62
5.3.4.3	Verdict criteria .....	63
5.3.5	Transmitted power .....	63
5.3.5.1	PP and RFP with an integral antenna .....	63
5.3.5.1.1	Test environment .....	63
5.3.5.1.2	Method of measurement .....	63
5.3.5.1.3	Verdict criteria for all EUTs .....	64
5.3.5.2	PP and RFP with external antenna connection(s) .....	65
5.3.5.2.1	Test environment .....	65
5.3.5.2.2	Method of measurement .....	65
5.3.5.2.3	Verdict criteria for all EUTs .....	65
5.3.6	RF carrier modulation .....	65
5.3.6.1	Test environment .....	65
5.3.6.2	Method of measurement, parts 1 and 2 .....	66
5.3.6.2.1	Introduction .....	66
5.3.6.2.2	Part 1 .....	66
5.3.6.2.3	Part 2 .....	66
5.3.6.3	Method of measurement, Parts 3 and 4 .....	67
5.3.6.3.1	General .....	67
5.3.6.3.2	Part 3 .....	67
5.3.6.3.3	Part 4 .....	67
5.3.6.4	Verdict criteria for Part 1 .....	67
5.3.6.5	Verdict criteria for Part 2 .....	68
5.3.6.6	Verdict criteria for Part 3 .....	68
5.3.6.7	Verdict criteria for Part 4 .....	68
5.3.7	Unwanted RF power radiation .....	69
5.3.7.1	General test conditions .....	69
5.3.7.2	Emissions due to modulation .....	69
5.3.7.2.1	Test environment .....	69
5.3.7.2.2	Method of measurement .....	70
5.3.7.2.3	Verdict criteria .....	71
5.3.7.3	Emissions due to transmitter transients .....	71
5.3.7.3.1	Test environment .....	71
5.3.7.3.2	Method of measurement .....	71
5.3.7.3.3	Verdict criteria .....	72
5.3.7.4	Emissions due to intermodulation .....	72
5.3.7.4.1	Test environment .....	72
5.3.7.4.2	Method of measurement .....	72
5.3.7.4.3	Verdict criteria .....	73
5.3.7.5	Spurious emissions when allocated a transmit channel .....	73
5.3.7.5.1	Radiated emissions .....	73
5.3.7.5.2	Conducted spurious emissions when the EUT has a permanent external antenna connector .....	75
5.3.8	Radio receiver testing .....	75
5.3.8.1	Radio receiver sensitivity .....	75
5.3.8.1.1	Test environment .....	75
5.3.8.1.2	Method of measurement .....	75
5.3.8.1.3	Verdict criteria .....	76
5.3.8.2	Radio receiver reference BER and FER .....	76
5.3.8.2.1	Test environment .....	76
5.3.8.2.2	Method of measurement .....	76
5.3.8.2.3	Verdict criteria .....	76
5.3.8.3	Radio receiver interference performance .....	76
5.3.8.3.1	Test environment .....	76

5.3.8.3.2	Method of measurement .....	76
5.3.8.3.3	Verdict criteria.....	77
5.3.8.4	Radio receiver blocking case 1: owing to signals occurring at the same time but on other frequencies .....	77
5.3.8.4.1	Test environment.....	77
5.3.8.4.2	Method of measurement .....	77
5.3.8.4.3	Verdict criteria.....	78
5.3.8.5	Radio receiver blocking case 2: owing to signals occurring at a different time.....	79
5.3.8.5.1	Test environment.....	79
5.3.8.5.2	Method of measurement .....	79
5.3.8.5.3	Verdict criteria.....	79
5.3.8.6	Receiver intermodulation performance .....	80
5.3.8.6.1	Test environment.....	80
5.3.8.6.2	Method of measurement .....	80
5.3.8.6.3	Verdict criteria.....	80
5.3.8.7	Spurious emissions when the PP has no allocated transmit channel .....	80
5.3.8.7.1	Test environment.....	80
5.3.8.7.2	Method of measurement .....	81
5.3.8.7.3	Verdict criteria (outside the DECT band).....	81
5.3.8.7.4	Verdict criteria (inside the DECT band).....	81
5.3.9	Channel access.....	81
5.3.10	WRS testing.....	81
5.3.10.1	General .....	81
5.3.10.2	Testing as a PP .....	82
5.3.10.3	Testing as an RFP .....	82
5.3.10.4	Additional requirements.....	82
5.3.11	Requirements for PPs with direct PP to PP communication mode .....	83
5.3.11.1	General .....	83
5.3.11.2	Setting the EUT in direct communications mode.....	83
5.3.11.3	When the EUT has not initiated a call.....	83
5.3.11.4	When the EUT initiates a call .....	83
5.3.11.5	Applicants declarations .....	84
5.3.12	Distributed Communications .....	84
5.3.12.1	General .....	84
5.3.12.2	Testing as a PP .....	84
5.3.12.3	Testing as an RFP .....	84
5.3.12.4	Applicants declaration.....	85
5.3.13	Higher level modulation options.....	85
5.3.13.1	General .....	85
5.3.13.2	Activation of higher level modulations when EUT is in Test Standby Mode.....	86
5.3.13.3	Applicants declaration.....	86

<b>Annex A (normative):</b>	<b>Relationship between the present document and the essential requirements of Directive 2014/53/EU .....</b>	<b>87</b>
-----------------------------	---	-----------

<b>Annex B (normative):</b>	<b>Procedures for test fixture calibration.....</b>	<b>89</b>
-----------------------------	---	-----------

B.1	Calibration of test fixture for receiver measurements .....	89
B.1.1	Procedure.....	89
B.1.2	Method of measurement.....	89

<b>Annex C (normative):</b>	<b>Measurement of BER and FER.....</b>	<b>91</b>
-----------------------------	--	-----------

<b>Annex D (informative):</b>	<b>Procedures for the measurement of synchronization loss at the EUT by the LT .....</b>	<b>92</b>
-------------------------------	--	-----------

D.1	Description .....	92
-----	-------------------	----

D.2	Method .....	92
-----	--------------	----

<b>Annex E (informative):</b>	<b>DECT carrier numbers and carrier positions in the range 1 880 MHz to 2 025 MHz .....</b>	<b>93</b>
-------------------------------	---	-----------



E.1	Introduction .....	93
E.2	1 880 MHz to 1 978 MHz and 2 010 MHz to 2 025 MHz RF band 00001.....	94
E.3	1 880 MHz to 1 925 MHz and 2 010 MHz to 2 025 MHz RF band 00010.....	95
<b>Annex F (informative):</b>	<b>Bibliography.....</b>	<b>96</b>
<b>Annex G (informative):</b>	<b>Change History .....</b>	<b>97</b>
History .....		98

---

# Intellectual Property Rights

IPRs essential or potentially essential to the present document may have been declared to ETSI. The information pertaining to these essential IPRs, if any, is publicly available for **ETSI members and non-members**, and can be found in ETSI SR 000 314: *"Intellectual Property Rights (IPRs); Essential, or potentially Essential, IPRs notified to ETSI in respect of ETSI standards"*, which is available from the ETSI Secretariat. Latest updates are available on the ETSI Web server (<https://ipr.etsi.org/>).

Pursuant to the ETSI IPR Policy, no investigation, including IPR searches, has been carried out by ETSI. No guarantee can be given as to the existence of other IPRs not referenced in ETSI SR 000 314 (or the updates on the ETSI Web server) which are, or may be, or may become, essential to the present document.

---

## Foreword

This Harmonised European Standard (EN) has been produced by ETSI Technical Committee Digital Enhanced Cordless Telecommunications (DECT).

The present document has been prepared under the Commission's standardisation request C(2015) 5376 final [i.3] to provide one voluntary means of conforming to the essential requirements of Directive 2014/53/EU on the harmonisation of the laws of the Member States relating to the making available on the market of radio equipment and repealing Directive 1999/5/EC [i.18].

Once the present document is cited in the Official Journal of the European Union under that Directive, compliance with the normative clauses of the present document given in table A.1 confers, within the limits of the scope of the present document, a presumption of conformity with the corresponding essential requirements of that Directive, and associated EFTA regulations.

The present document is part 10 of a multi-part deliverable covering the Base Stations (BS), Repeaters and User Equipment (UE) for IMT-2000 Third-Generation cellular networks, as identified below:

- Part 1: "Harmonized EN for IMT-2000, introduction and common requirements, covering essential requirements of article 3.2 of the R&TTE Directive";
- Part 2: "Harmonised EN for IMT-2000, CDMA Direct Spread (UTRA FDD) User Equipment (UE) covering essential requirements of article 3.2 of the Directive 2014/53/EU";
- Part 3: "Harmonised EN for IMT-2000, CDMA Direct Spread (UTRA FDD) (BS) covering essential requirements of article 3.2 of the Directive 2014/53/EU";
- Part 4: "Harmonized EN for IMT-2000, CDMA Multi-Carrier (cdma2000) (UE) covering essential requirements of article 3.2 of the R&TTE Directive";
- Part 5: "Harmonized EN for IMT-2000, CDMA Multi-Carrier (cdma2000) (BS) covering essential requirements of article 3.2 of the R&TTE Directive";
- Part 6: "Harmonized EN for IMT-2000, CDMA TDD (UTRA TDD) (UE) covering essential requirements of article 3.2 of the R&TTE Directive";
- Part 7: "Harmonized EN for IMT-2000, CDMA TDD (UTRA TDD) (BS) covering essential requirements of article 3.2 of the R&TTE Directive";
- Part 8: "Harmonized EN for IMT-2000, TDMA Single-Carrier (UWC 136) (UE) covering essential requirements of article 3.2 of the R&TTE Directive";
- Part 9: "Harmonized EN for IMT-2000, TDMA Single-Carrier (UWC 136) (BS) covering essential requirements of article 3.2 of the R&TTE Directive";
- Part 10: "Harmonised Standard for IMT-2000, FDMA/TDMA (DECT) covering the essential requirements of article 3.2 of the Directive 2014/53/EU";**
- Part 11: "Harmonised EN for IMT-2000, CDMA Direct Spread (UTRA FDD) (Repeaters) covering essential requirements of article 3.2 of the Directive 2014/53/EU";

- Part 12: "Harmonised EN for IMT-2000, CDMA Multi-Carrier (cdma2000) (Repeaters) covering essential requirements of article 3.2 of the Directive 2014/53/EU";
- Part 13: "Harmonised EN for IMT-2000, Evolved Universal Terrestrial Radio Access (E-UTRA) (UE) covering essential requirements of article 3.2 of the Directive 2014/53/EU";
- Part 14: "Harmonised EN for IMT-2000, Evolved Universal Terrestrial Radio Access (E-UTRA) (BS) covering essential requirements of article 3.2 of the Directive 2014/53/EU";
- Part 15: "Harmonised EN for IMT-2000, Evolved Universal Terrestrial Radio Access (E-UTRA) (Repeater) covering essential requirements of article 3.2 of the Directive 2014/53/EU";
- Part 16: "Harmonized EN for IMT-2000, Evolved CDMA Multi-Carrier Ultra Mobile Broadband (UMB) (UE) covering essential requirements of article 3.2 of the R&TTE Directive";
- Part 17: "Harmonized EN for IMT-2000, Evolved CDMA Multi-Carrier Ultra Mobile Broadband (UMB) (BS) covering essential requirements of article 3.2 of the R&TTE Directive".
- Part 18: "Harmonised EN for IMT-2000, E-UTRA, UTRA and GSM/EDGE Multi-Standard Radio (MSR) Base Station (BS), covering the essential requirements of article 3.2 of the Directive 2014/53/EU";
- Part 19: "Harmonised EN for IMT-2000, OFDMA TDD WMAN (Mobile WiMAX) TDD User Equipment (UE), covering the essential requirements of article 3.2 of the Directive 2014/53/EU";
- Part 20: "Harmonised EN for IMT-2000, OFDMA TDD WMAN (Mobile WiMAX) TDD Base Stations (BS), covering the essential requirements of article 3.2 of the Directive 2014/53/EU";
- Part 21: "Harmonised EN for IMT-2000, OFDMA TDD WMAN (Mobile WiMAX) FDD User Equipment (UE), covering the essential requirements of article 3.2 of the Directive 2014/53/EU";
- Part 22: "Harmonised EN for IMT-2000, OFDMA TDD WMAN (Mobile WiMAX) FDD Base Stations (BS), covering the essential requirements of article 3.2 of the Directive 2014/53/EU".

<b>National transposition dates</b>	
Date of latest announcement of this EN (doa):	28 February 2017
Date of latest publication of new National Standard or endorsement of this EN (dop/e):	31 August 2017
Date of withdrawal of any conflicting National Standard (dow):	31 August 2018

---

## Modal verbs terminology

In the present document "**shall**", "**shall not**", "**should**", "**should not**", "**may**", "**need not**", "**will**", "**will not**", "**can**" and "**cannot**" are to be interpreted as described in clause 3.2 of the [ETSI Drafting Rules](#) (Verbal forms for the expression of provisions).

"**must**" and "**must not**" are **NOT** allowed in ETSI deliverables except when used in direct citation.

# 1 Scope

The present document applies to the following equipment types for IMT-FT. IMT-FT is the Digital Enhanced Cordless Telecommunications (DECT) system being a member of the ITU IMT-2000 family:

- a) Fixed Part (FP).
- b) Portable Part (PP).
- c) Cordless Terminal Adapter (CTA).
- d) Wireless Relay Station (WRS) (FP and PP combined).
- e) Hybrid Part (HyP) (a PP with capability to act as a FP to provide PP to PP communication).

These radio equipment types are capable of operating in all or any part of the frequency bands given in table 1.

**Table 1: Radiocommunications service frequency bands**

	<b>Radiocommunications service frequency bands</b>
Transmit	1 900 MHz to 1 980 MHz
Receive	1 900 MHz to 1 980 MHz
Transmit	2 010 MHz to 2 025 MHz
Receive	2 010 MHz to 2 025 MHz

The IMT-FT (DECT) service frequency bands for transmitting and receiving for all elements are the parts of the European UMTS spectrum applicable for TDD operation, 1 900 MHz to 1 980 MHz and 2 010 MHz to 2 025 MHz, (see ERC/DEC(99)25 [8] and ERC/DEC(00)01 [9]).

NOTE: IMT-FT equipment may have a second mode for providing operation also in the DECT band 1 880 MHz to 1 900 MHz. Application of DECT in the band 1 880 MHz to 1 900 MHz is covered by ETSI EN 301 406 [i.7].

Details of the DECT Common Interface may be found in ETSI EN 300 175-1 [i.12], ETSI EN 300 175 parts 2 [1] to 3 [2], ETSI EN 300 175-4 [i.13], ETSI EN 300 175 parts 5 [3] to 6 [4] and ETSI EN 300 175 parts 7 [i.14] to 8 [i.15]. Further details of the DECT system may be found in ETSI TR 101 178 [i.1] and ETSI ETR 043 [i.2]. Information about ULE may be found in ETSI TS 102 939-1 [i.16] and ETSI TS 102 939-2 [i.17].

The present document contains requirements to demonstrate that radio equipment both effectively uses and supports the efficient use of radio spectrum in order to avoid harmful interference.

## 2 References

### 2.1 Normative references

References are either specific (identified by date of publication and/or edition number or version number) or non-specific. For specific references, only the cited version applies. For non-specific references, the latest version of the referenced document (including any amendments) applies.

Referenced documents which are not found to be publicly available in the expected location might be found at <http://docbox.etsi.org/Reference>.

NOTE: While any hyperlinks included in this clause were valid at the time of publication, ETSI cannot guarantee their long term validity.

The following referenced documents are necessary for the application of the present document.

- [1] ETSI EN 300 175-2 (V2.6.1) (07-2015): "Digital Enhanced Cordless Telecommunications (DECT); Common Interface (CI); Part 2: Physical layer (PHL)".

- [2] ETSI EN 300 175-3 (V2.6.1) (07-2015): "Digital Enhanced Cordless Telecommunications (DECT); Common Interface (CI); Part 3: Medium Access Control (MAC) Layer".
- [3] ETSI EN 300 175-5 (V2.6.1) (07-2015): "Digital Enhanced Cordless Telecommunications (DECT); Common Interface (CI); Part 5: Network (NWK) layer".
- [4] ETSI EN 300 175-6 (V2.6.1) (07-2015): "Digital Enhanced Cordless Telecommunications (DECT); Common Interface (CI); Part 6: Identities and addressing".
- [5] Void.
- [6] ETSI EN 300 700 (V1.2.1) (09-2000): "Digital Enhanced Cordless Telecommunications (DECT); Wireless Relay Station (WRS)".
- [7] Recommendation ITU-T O.153 (10-1992): "Basic parameters for the measurement of error performance at bit rates below the primary rate".
- [8] ERC/DEC(99)25: "ERC Decision of 29 November 1999 on the harmonised utilisation of spectrum for terrestrial Universal Mobile Telecommunications System (UMTS) operating within the bands 1900 - 1980 MHz, 2010 - 2025 MHz and 2110 - 2170 MHz".

NOTE: Available at <http://www.erodocdb.dk/docs/doc98/official/pdf/Dec9925.pdf>.

- [9] ERC/DEC(00)01: "ERC Decision of 28 March 2000 extending ERC/DEC/(97)07 on the frequency bands for introduction of terrestrial Universal Mobile Telecommunications System (UMTS)".

NOTE: Available at <http://www.erodocdb.dk/docs/doc98/official/pdf/Dec0001.pdf>.

## 2.2 Informative references

References are either specific (identified by date of publication and/or edition number or version number) or non-specific. For specific references, only the cited version applies. For non-specific references, the latest version of the referenced document (including any amendments) applies.

NOTE: While any hyperlinks included in this clause were valid at the time of publication, ETSI cannot guarantee their long term validity.

The following referenced documents are not necessary for the application of the present document but they assist the user with regard to a particular subject area.

- [i.1] ETSI TR 101 178: "Digital Enhanced Cordless Telecommunications (DECT); A High Level Guide to the DECT Standardization".
- [i.2] ETSI ETR 043: "Digital Enhanced Cordless Telecommunications (DECT); Common Interface (CI); Services and facilities requirements specification".
- [i.3] Commission Implementing Decision C(2015) 5376 final of 4.8.2015 on a standardisation request to the European Committee for Electrotechnical Standardisation and to the European Telecommunications Standards Institute as regards radio equipment in support of Directive 2014/53/EU of the European Parliament and of the Council.
- [i.4] Void.
- [i.5] Void.
- [i.6] Void.
- [i.7] ETSI EN 301 406 (V2.2.2) (04-2016): "Digital Enhanced Cordless Telecommunications (DECT); Harmonised Standard covering the essential requirements of article 3.2 of the Directive 2014/53/EU".
- [i.8] Void.
- [i.9] Void.

- [i.10] ETSI TR 100 028 (all parts): "Electromagnetic compatibility and Radio spectrum Matters (ERM); Uncertainties in the measurement of mobile radio equipment characteristics".
- [i.11] ISO/IEC 9646-1 (1994): "Information technology; Open Systems Interconnection; Conformance testing methodology and framework; Part 1: General concepts".
- [i.12] ETSI EN 300 175-1 (V2.6.1) (07-2015): "Digital Enhanced Cordless Telecommunications (DECT); Common Interface (CI); Part 1: Overview".
- [i.13] ETSI EN 300 175-4 (V2.6.1) (07-2015): "Digital Enhanced Cordless Telecommunications (DECT); Common Interface (CI); Part 4: Data Link Control (DLC) Layer".
- [i.14] ETSI EN 300 175-7 (V2.6.1) (07-2015): "Digital Enhanced Cordless Telecommunications (DECT); Common Interface (CI); Part 7: Security features".
- [i.15] ETSI EN 300 175-8 (V2.6.1) (07-2015): "Digital Enhanced Cordless Telecommunications (DECT); Common Interface (CI); Part 8: Speech and audio coding and transmission".
- [i.16] ETSI TS 102 939-1: "Digital Enhanced Cordless Telecommunications (DECT); Ultra Low Energy (ULE); Machine to Machine Communications; Part 1: Home Automation Network (phase 1)".
- [i.17] ETSI TS 102 939-2: "Digital Enhanced Cordless Telecommunications (DECT); Ultra Low Energy (ULE); Machine to Machine Communications; Part 2: Home Automation Network (phase 2)".
- [i.18] Directive 2014/53/EU of the European Parliament and of the Council of 16 April 2014 on the harmonisation of the laws of the Member States relating to the making available on the market of radio equipment and repealing Directive 1999/5/EC.

## 3 Definitions, symbols and abbreviations

### 3.1 Definitions

For the purposes of the present document, the following terms and definitions apply:

**antenna diversity:** feature that implies that the Radio Fixed Part (RFP) is able to select for each bearer independently different antenna properties such as gain, polarization, coverage patterns, and other features that may affect the practical coverage

NOTE: A typical example is space diversity, provided by two vertically polarized antennas separated by 10 cm to 20 cm.

**bearer handover:** internal handover process provided by the Medium Access Control (MAC) layer, whereby one MAC connection can modify its underlying bearers while maintaining the service provided to the Data Link Control (DLC) layer

NOTE: Bearer handover is slot based.

**cell:** domain served by a single antenna system (including a leaky feeder) of one FP

NOTE: A cell may include more than one source of radiated Radio Frequency energy (i.e. more than one Radio End Point).

**Central Control Fixed Part (CCFP):** physical grouping that contains the central control elements of one or several FPs

NOTE: An FP may be split in the control part (CCFP) and the Radio part (RFP). A CCFP may control one or more RFPs.

**conducted measurements:** measurements which are made using a direct connection to the equipment under test

**Cordless Terminal Adapter (CTA):** physical grouping that contains a DECT portable termination and a line interface

**DECT distributed communications:** communication capability of a DECT Local Network that allows a number of DECT terminals (a FP and number of PPs) to co-exist and directly communicate one with another

**DECT-like carrier:** modulated RF DECT carrier used for interference testing which conforms to the requirements in ETSI EN 300 175-2 [1] in terms of frequency and timing and uses a pseudo-random sequence for modulation

**double slot:** one 12<sup>th</sup> of a Time Division Multiple Access (TDMA) frame which is used to support one high capacity physical channel

**duplex bearer:** use of two simplex bearers operating in opposite directions on two physical channels

NOTE: These pairs of channels always use the same RF carrier and always use evenly spaced slots (i.e. separated by 0,5 TDMA frame).

**environmental profile:** range of environmental conditions under which equipment within the scope of the present document is required to comply with the provisions of the present document

**Equipment Under Test (EUT):** equipment submitted to the test laboratory for type examination

**fixed part (DECT fixed part):** physical grouping that contains all of the elements in the DECT network between the local network and the DECT air interface

NOTE: A DECT FP contains the logical elements of at least one Fixed radio Termination (FT), plus additional implementation specific elements.

**fixed radio termination:** logical group of functions that contains all of the DECT processes and procedures on the fixed side of the DECT air interface

NOTE: A FT only includes elements that are defined in the DECT CI standard. This includes radio transmission elements (layer 1) together with a selection of layer 2 and layer 3 elements.

**full slot:** one 24<sup>th</sup> of a TDMA frame which is used to support one physical channel

**half slot:** one 48<sup>th</sup> of a TDMA frame which is used to support one physical channel

**handover:** process of switching a call in progress from one physical channel to another physical channel

NOTE: These processes can be internal or external. There are two physical forms of handover: intra-cell handover and inter-cell handover. Intra-cell handover is always internal. Inter-cell handover can be internal or external.

**host equipment:** any equipment which has a complete user functionality when not connected to the DECT radio equipment, and to which the DECT radio equipment provides additional functionality, and to which connection is necessary for the DECT radio equipment to offer functionality

**hybrid part:** DECT terminal that provides FT, as well as, PT capabilities being capable of communicating directly with FT or PT

**IMT-2000:** International Mobile Telecommunications, Third Generation Mobile Systems

**IMT-FT:** International Mobile Telecommunications, FDMA/TDMA

NOTE: This is the DECT family member of IMT-2000.

**inter-cell handover:** switching of a call in progress from one cell to another cell

NOTE: This only defines the form of handover, it does not define a specific process.

**intra-cell handover:** switching of a call in progress from one physical channel of one cell to another physical channel of the same cell

NOTE: This only defines the form of handover, it does not define a specific process.

**long slot:** name given to the variable capacity slot when  $j = 640$  or  $j = 672$ . The long slot has an intermediate size between the full slot and the double slot

**lower tester:** logical grouping that contains the test equipment, a functionally equivalent DECT PT, a functionally equivalent DECT FT and a test controller

**multiframe:** repeating sequence of 16 successive TDMA frames, that allows low rate or sporadic information to be multiplexed (e.g. basic system information or paging)

**physical channel:** simplex channel that is created by transmitting in one particular slot on one particular RF channel in successive TDMA frames (see also simplex bearer)

NOTE: One physical channel provides a simplex service. Two physical channels are required to provide a duplex service.

**portable handset:** single physical grouping that contains all of the portable elements that are needed to provide a teleservice to the user

NOTE: PHS is a subset of all possible PPs. This subset includes all physical groupings that combine one PT plus at least one portable application in a single physical box.

**portable part:** physical grouping that contains all elements between the user and the DECT air interface

NOTE: PP is a generic term that may describe one or several physical pieces. A PP is logically divided into one PT plus one or more portable applications.

**portable radio termination:** logical group of functions that contains all of the DECT processes and procedures on the portable side of the DECT air interface

NOTE: A PT only includes elements that are defined in the DECT CI standard ETSI EN 300 175 parts 2 [1] to 3 [2] and ETSI EN 300 175 parts 5 [3] to 6 [4]. This includes radio transmission elements together with a selection of layer 2 and layer 3 elements.

**radiated measurements:** measurements which involve the absolute measurement of a radiated field

**Radio End Point (REP):** physical grouping that contains one radio transmitter/receiver, fixed or portable

NOTE: A REP may operate only as a receiver or only as a transmitter.

**Radio Fixed Part (RFP):** one physical sub-group of a FP that contains all the REPs (one or more) that are connected to a single system of antennas

**simplex bearer:** MAC layer service that is created using one physical channel

**TDMA frame:** time-division multiplex of 10 ms duration, containing 24 successive full slots

NOTE: A TDMA frame starts with the first bit period of full slot 0 and ends with the last bit period of full slot 23.

**test laboratory:** body which performs conformance testing

NOTE: This laboratory is accredited to perform 3<sup>rd</sup> party testing.

**test load:** substantially non-reactive, non-radiating power attenuator which is capable of safely dissipating the power from the transmitter(s)

**upper tester:** logical grouping that controls the EUT when under test

NOTE: Commands are sent from the LT to the UT to place the EUT in the appropriate test mode.

**variable capacity slot:** slot structure that allows implementing slot lengths different of the half, full and double structures. A variable capacity slot may have a duration of 100+j or 104+j data symbols with j ranging from zero to 856



## 3.2 Symbols

For the purposes of the present document, the following symbols apply:

dB <sub>i</sub>	dB isotropic
dB <sub>m</sub>	dB relative to 1 mW
P <sub>NTP</sub>	Maximum transmit power per simultaneously active transceiver

## 3.3 Abbreviations

For the purposes of the present document, the following abbreviations apply:

AM	Amplitude Modulation
ARI	Access Rights Identity
BER	Bit Error Ratio
BERL	Limit value of BER measurement
BS	Base Station
BT	Bandwidth Time product
CCFP	Central Control Fixed Part
CI	Common Interface
CRC	Cyclic Redundancy Check
CRFP	Cordless Radio Fixed Part
CTA	Cordless Terminal Adapter
CW	Continuous Wave
D8PSK	Differential 8 Phase Shift Keying
dB	deciBel
DBPSK	Differential Binary Phase Shift Keying
DC	Direct Current
DQPSK	Differential Quaternary Phase Shift Keying
DSV	Digital Sum Variation
EIRP	Equivalent Isotropically Radiated Power
EMC	ElectroMagnetic Compatibility
emf	electro-motive force
ERP	Effective Radiated Power
EUT	Equipment Under Test
FC	Carrier Frequency
FER	Frame Error Ratio
f <sub>L</sub>	Frequency of Lower band edge
FP	Fixed Part
FT	Fixed radio Termination
f <sub>U</sub>	Frequency of Upper band edge
GFSK	Gaussian Frequency Shift Keying
HyP	Hybrid Part
IMT-FT	International Mobile Telecommunications, FDMA/TDMA
LT	Lower Tester
LV	Low Voltage
MAC	Medium Access Control
NOM	Nominal
NTP	Normal Transmitted Power
PHL	Physical Layer
PHS	Portable HandSet
PIXIT	Protocol Implementation eXtra Information for Testing
PNTP	NTP Power
PP	Portable Part
ppm	parts per million
PR	Received Power
PRI	Pulse Repetition Interval
PT	Portable radio Termination
QAM	Quadrature Amplitude Modulation
R&TTE	Radio and Telecommunications Terminal Equipment
REP	Radio End Point

REP	Repeater Part
RF	Radio Frequency
RFP	Radio Fixed Part
RFPI	Radio Fixed Part Identity
RH	Relative Humidity
RX	Receive
TDD	Time Division Duplex
TDMA	Time Division Multiple Access
TSM	Test Standby Mode
TSP	Test Support Profile
TX	Transmit
ULE	Ultra Low Energy
UMTS	Universal Mobile Telecommunications System
UT	Upper Tester
VSWR	Voltage Standing Wave Ratio
WRS	Wireless Relay Station

---

## 4 Technical requirements specifications

### 4.1 Environmental profile

The technical requirements of the present document apply under the environmental profile for operation of the equipment, which shall be declared by the manufacturer. The equipment shall comply with all the technical requirements of the present document at all times when operating within the boundary limits of the required operational environmental profile.

### 4.2 Overview

#### 4.2.0 General

The test cases described in these clauses are intended to follow the ISO/IEC 9646-1 [i.11] recommendations as closely as possible. However, for practical reasons it is not always possible to follow the guidelines exactly and the following clauses describe the relationship of the present document to ISO/IEC 9646-1 [i.11].

#### 4.2.1 Test suites

The term "test suite" is defined in ISO/IEC 9646-1 [i.11].

Table 2 lists the test suite that is described in the present document and the test groups that are associated with it.

**Table 2: Test suite**

Test suite	Test groups
DECT Physical Layer (PHL)	PHL services
	Transmission of physical packets
	Reception of physical packets
	Channel access
	WRS
	PP to PP communication
	Direct communication
	Higher level modulation

## 4.2.2 Test groups

The term "test group" is defined in ISO/IEC 9646-1 [i.11], clause 3.3.

Table 3 lists the test groups that are described in the present document and the test cases that are associated with them.

**Table 3: Test groups**

Test group	Test cases
Physical layer services	1 2 4
Transmission of physical packets	5 6 7 8 9 10 11 12
Reception of physical packets	13 14 15 16 17 18 19
Channel access	20
WRS	21
PP to PP communication	22
Direct communication	23
Higher level modulation	24

## 4.2.3 Test cases

The term "test case" is defined in ISO/IEC 9646-1 [i.11], clause 3.3.

Table 4 lists the test cases that are described in the present document.

**Table 4: Test cases**

Test case	Test case	Clause number
1	Accuracy and stability of RF carriers	4.5.2
2	Timing jitter: slot-slot on the same channel	4.5.3
3	Reference timing accuracy of a RFP	4.5.3
4	Measurement of packet timing accuracy	4.5.3
5	Transmission Burst	4.5.4
6	Transmitted power: PP and RFP with an integral antenna	4.5.5.1.1
7	Transmitted power: PP and RFP with an external antenna connector	4.5.5.1.2
8	RF carrier modulation	4.5.6
9	Emissions due to modulation	4.5.7.2
10	Emissions due to transmitter transients	4.5.7.3
11	Emissions due to intermodulation	4.5.7.4
12	Spurious emissions when allocated a transmit channel	4.5.7.5
13	Radio receiver sensitivity	4.5.8.1
14	Radio receiver reference bit error ratio	4.5.8.2
15	Radio receiver interference performance	4.5.8.3
16	Radio receiver blocking case 1	4.5.8.4
17	Radio receiver blocking case 2	4.5.8.5
18	Receiver intermodulation performance	4.5.8.6
19	Spurious emissions when the radio endpoint has no allocated transmit channel	4.5.8.7
20	Channel access	4.5.9
21	WRS	4.5.10
22	PP to PP communication	4.5.11
23	Distributed communication	4.5.12
24	Higher level modulation	4.5.13

## 4.3 Applicant's declaration

The applicant shall declare the band edge limits  $F_L$  and  $F_U$  and the carriers supported by the EUT (see clause 4.5.1 and annex E).

Where parameters, capabilities, etc. are subject to applicant's declaration, it shall be the applicant's responsibility to supply a declaration of implementation, in which the applicant explicitly affirms the implementation in the equipment of certain parameters and capabilities.

## 4.4 Applicability of test suites

### 4.4.1 Introduction

The applicability of the individual test suites in the present document is dependent on the type of equipment. Equipment may contain one or more of the features listed in the following clauses. It is assumed that all equipment contains a radio receiver. The test suites described in the present document shall only be applied to the equipment physically containing a DECT RF receiver and/or transceiver. Control lines to the EUT necessary for its operation shall be permitted.

### 4.4.2 Equipment that includes only a DECT RF receiver

The test suites are specified in clause 4.5.8.

### 4.4.3 Equipment that includes a radio transmitter

The test suites are contained in clauses 5.3.2 to 5.3.8 and 5.3.9. For equipment continuously transmitting (e.g. FP with dummy bearer) the test suite specified in clause 5.3.8.7 shall not apply.

### 4.4.4 CTAs

The requirements for PPs apply to Cordless Terminal Adapters, CTAs.

### 4.4.5 Equipment with combined FT and PT functionality

#### 4.4.5.1 Introduction

Equipment that is able to operate both as an RFP and as a PP shall generally meet the conformance requirements of the present document for an RFP when operating as an RFP and for a PP when operating as a PP.

There are however three basic types of equipment with combined FT and PT functionality using a single common radio, which have been standardized. The notations for these types of equipment are Wireless Relay Stations, WRSs, see ETSI EN 300 700 [6], Direct PP to PP communication, see ETSI EN 300 175-3 [2], annex G, and Distributed Communications, see ETSI EN 300 175-5 [3], annex I. For each these requirements apply as specified in clauses 4.4.5.2 to 4.4.5.4.

#### 4.4.5.2 Wireless Relay Station

Wireless Relay Stations, WRSs, see ETSI EN 300 700 [6], provide relaying between FT and PT operating simultaneously. A WRS belongs to a specific DECT system, and has to be registered and locked to this system to operate.

WRSs shall conform to the requirements of clause 4.5.10.

NOTE: Conformance to clause 4.5.10 is also relevant for telephony applications. A WRS conforms to a defined frame multiplexing scheme, see ETSI EN 300 700 [6], clauses 5.1.3.2 and 6.1.3.2, which provides a transparent digital bit pipe for the user data, and which automatically provides an acceptable upper bound of the incremental delay introduced by a WRS.

#### 4.4.5.3 Direct PP to PP communication

Direct PP to PP communication, see ETSI EN 300 175-3 [2], annex G, is a notation for a PP (or CTA) feature that provides ad hoc networking with specific temporary system ad hoc identities. A PP temporarily switches into FT mode to provide direct access to any of the other PPs of the ad hoc network. There is no requirement or need to being locked to an RFP. Since no RFP is involved in the communication link, direct PP to PP communication only uses half the spectrum compared to normal calls routed via RFPs.

Direct PP to PP communication is only allowed within the block 2 010 MHz to 2 020 MHz intended for European wide self provided applications operating in a self coordinating mode (see ERC/DEC(99)25 [8]). The DECT carrier positions within the band 2 010 MHz to 2 020 MHz are positioned between 2 011,392 MHz and 2 018,304 MHz as indicated in annex E.

PPs and CTAs with direct PP to PP communication option shall conform to the requirements of clause 4.5.11.

#### 4.4.5.4 Distributed communications

Distributed communications, ETSI EN 300 175-5 [3], annex I, is a notation for a DECT system feature providing direct links between PPs (or CTAs). Such PPs and CTAs are also called Hybrid Parts, HyP. The HyPs always stay in lock with the DECT system and an RFP is always involved in the direct link connection. Either just by providing the locking and time synchronization, or also by direct involvement in the set up procedure. The main target application is data local networking. Since no RFP is involved in the user communication link, the distributed communications option only uses half the spectrum compared to normal calls routed via RFPs.

PPs and CTAs with distributed communications option, HyPs, shall conform to the requirements of clause 4.5.12.

### 4.4.6 Equipment that is capable of using higher level modulation

Equipment is allowed to use 4-level, 8-level, 16-level and/or 64-level modulation in addition to the mandatory 2-level modulation. This will increase the bit rate of single radio DECT equipment by a factor 2 to 6, which allows for 4 Mbit/s protected services.

Such equipment shall conform to the requirements of clause 4.5.13.

## 4.5 Conformance requirements

### 4.5.1 General

An EUT will operate on a specific subset of all potential carriers (see clause 4.5.2.1). This subset constitutes a frequency band with a lower band edge  $F_L$  MHz and an upper band edge  $F_U$  MHz.

### 4.5.2 Accuracy and stability of RF carriers

#### 4.5.2.1 Definition of nominal position of RF carriers

A nominal RF carrier is one whose centre frequency  $F_g$  is generated by the formula:

$$F_g = F_0 - g \times 1,728 \text{ MHz}, \text{ where } g \text{ is any integer and where } F_0 = 1\,897,344 \text{ MHz.}$$

RF carriers for IMT-FT applications of DECT shall be placed within the parts of the European UMTS spectrum applicable for TDD operation (see ERC/DEC(99)25 [8] and ERC/DEC(00)01 [9]) e.g. within 1 900 MHz to 1 920 MHz, 1 920 MHz to 1 980 MHz and/or 2 010 MHz to 2 025 MHz.

IMT-FT equipment will operate on a subset of all potential carriers. This subset shall be declared by the applicant, see clause 4.5.9.4.

Notations for carriers and the centre frequencies are found in annex E.

#### 4.5.2.2 Limits

At an RFP the transmitted RF carrier frequency corresponding to RF channel  $c$  shall be in the range  $F_c \pm 50$  kHz at extreme conditions.

At a PP the centre frequency accuracy shall be within  $\pm 50$  kHz at extreme conditions either relative to an absolute frequency reference or relative to the received carrier, except that during the first 1 s after the transition from the idle-locked state to the active-locked state the centre frequency accuracy shall be within  $\pm 100$  kHz at extreme conditions relative to the received carrier.

NOTE: The above state transition is defined in ETSI EN 300 175-3 [2].

The maximum rate of change of the centre frequency at both the RFP and the PP while transmitting, shall not exceed 15 kHz per slot.

### 4.5.2.3 Conformance

Conformance tests as defined in clause 5.3.2 shall be carried out.

## 4.5.3 Accuracy and stability of timing parameters

### 4.5.3.0 General

The requirements are given in ETSI EN 300 175-2 [1], clauses 4.2.1, 4.2.2, 4.2.3 and 4.2.4.

### 4.5.3.1 Definitions

#### 4.5.3.1.1 Slot structure

To access the medium in time, a regular TDMA structure is used. The structure repeats in frames of 11 520 symbols, and the data is transmitted at a symbol rate of 1 152 ksymbol/s. Within this frame 24 full-slots are created, each consisting of two half-slots. A double slot has a length of two full slots, and starts concurrently with a full slot. The detailed slot structure is defined in in ETSI EN 300 175-2 [1], clause 4.2.1.

#### 4.5.3.1.2 Definition of the position of p0

The start of bit p0 is defined to occur at the point in time 16 bit periods before the instant at which the modulated carrier passes through the nominal channel frequency immediately prior to the deviation corresponding to the first bit of the packet synchronization word for the EUT as defined in ETSI EN 300 175-2 [1], clause 4.6, of for a PT or FT. A method shall be used for the determination of the position of the packet synchronization word which meets the measurement uncertainty stated in clause 5.2. It is not the point at which a receiver determines the presence of p0.

### 4.5.3.2 Limits

#### 4.5.3.2.1 Reference timer accuracy and stability

The reference timer of a RFP or a PP is a notional clock to which the timing parameters of the TDMA framing are related.

A PP shall have its reference timer stability and accuracy better than 25 ppm at extreme conditions.

RFPs that can work with more than one duplex pair of physical channels per frame are known as multi-channel RFPs. Single channel RFPs can only work with one duplex pair of physical channels per frame (excluding handover situations).

A multi channel RFP shall have its reference timer stability and accuracy better than 5 ppm and better than 10 ppm at extreme conditions.

A single channel RFP shall have reference timer stability and accuracy better than 10 ppm at extreme conditions.

#### 4.5.3.2.2 RFP transmission jitter

The nominal time when a packet should occur at the RFP antenna is (by this definition) synchronous to the RFP reference timer.

The jitter of a RFP packet transmission in a slot refers to the occurrence at the antenna of the start of symbol p0 of that packet. The jitter is defined in relation to the reference timer of that RFP.

The jitter of a packet transmission shall be less than  $\pm 1 \mu\text{s}$  at extreme conditions.

The jitter between p0 and every other symbol in a packet shall be within  $\pm 0,1 \mu\text{s}$ .

NOTE:  $0,1 \mu\text{s}$  corresponds to 250 ppm.

#### 4.5.3.2.3 PP reference timer synchronization

A PP shall take its reference timer parameters, including half-slot, full-slot, frame, multi-frame and receiver scan (see synchronization, ETSI EN 300 175-3 [2]) from any channel of any of the RFPs that it is locked to.

It is allowed (but not required) to have more than one PP reference timer.

The reference timer used for a PP transmission to a RFP shall be synchronized to packets (see clause 4.5.4.1.2) received from that RFP or from a RFP to which internal handover is allowed.

This reference timer for packet transmission timing is nominally (by this definition) synchronized to the time when the last packet used for synchronization occurred at the PP antenna.

When a PP transmits a packet, the start of transmission of symbol p0 of the packet shall occur at the PP antenna  $\pm 2 \mu\text{s}$  at extreme conditions from the nominal transmission time as given by an ideal PP reference timer with 0 ppm accuracy. An exception is allowed for a dummy bearer change request packet transmission (see ETSI EN 300 175-3 [2], clause 7.2.5.6), when the nominal transmission time shall be given by the actual PP reference timer.

NOTE: The reason for the exception is that a residential PP may need to send the dummy bearer change request after a sudden slot theft in the idle locked mode. In this case the last synchronization of the reference timer can be more than 16 frame old. For all other packet transmissions, including bearer set up, the synchronization is normally less than one frame old.

The jitter between p0 and every other symbol in a packet shall be within  $\pm 0,1 \mu\text{s}$ .

Connections to different RFPs are allowed (but not required) to have different reference timers.

#### 4.5.3.3 Conformance

Conformance tests as defined in clause 5.3.3 shall be carried out.

### 4.5.4 Transmission burst

#### 4.5.4.1 Definitions

##### 4.5.4.1.1 Introduction

The transmission requirements are defined in clauses 4.5.4.1.2 to 4.5.4.1.10 and graphically represented in figure 1.

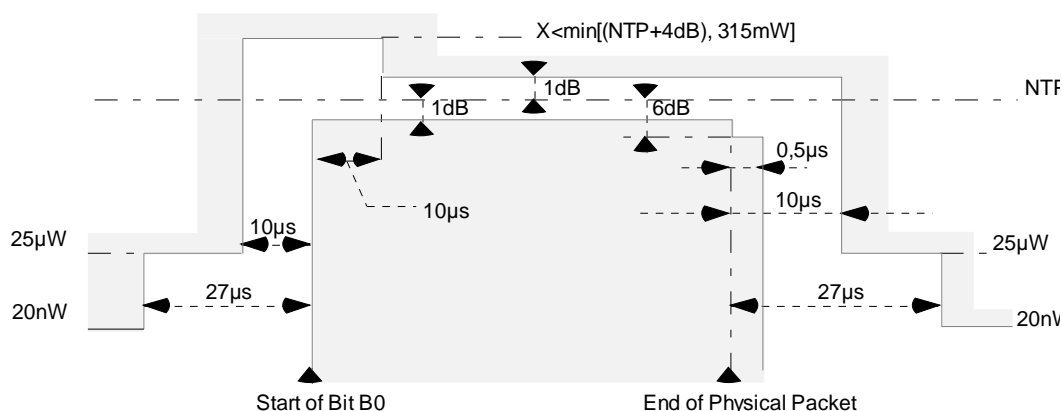


Figure 1: Physical packet power-time template

#### 4.5.4.1.2 Physical packets

The term "physical packet" used in the present document refers to all the bits transmitted by the DECT Radio End Point in one slot time. The timing of the physical packet relative to the power-time template shall be conditioned by the absolute packet timing measurement uncertainty in clause 5.2.

#### 4.5.4.1.3 Transmitted power

This is the mean power delivered over one radio frequency cycle.

#### 4.5.4.1.4 Normal Transmitted Power (NTP)

The NTP is the transmitted power averaged from the start of bit p0 of the physical packet to the end of the physical packet.

#### 4.5.4.1.5 Transmitter attack time

This is the time taken for the transmitted power to increase from 25  $\mu$ W to the time that the first bit of the physical packet, p0, starts transmission.

#### 4.5.4.1.6 Transmitter release time

This is the time, taken from the end of the physical packet, for the transmitted power to decrease to 25  $\mu$ W.

#### 4.5.4.1.7 Minimum power

The lowest transmitted power measured from bit p0 to the end of the physical packet.

#### 4.5.4.1.8 Maximum power

The maximum power is defined to cover both the ramp-up and ramp-down of the transmission of a physical packet to which individual limits apply:

- a) The highest transmitted power measured from 10  $\mu$ s after bit p0 to 10  $\mu$ s after the end of the physical packet.
- b) The highest transmitted power measured from 10  $\mu$ s before bit p0 to 10  $\mu$ s after p0 of the physical packet.

#### 4.5.4.1.9 Maintenance of transmission after packet end

This is defined as the transmitted power up to 0,5  $\mu$ s after the end of the physical packet.

#### 4.5.4.1.10 Transmitter idle power output

The transmitter idle power output is defined as the power output during the time period starting 27  $\mu$ s after the end of the physical packet and finishing 27  $\mu$ s before p0 of the next physical packet.

### 4.5.4.2 Limits

#### 4.5.4.2.1 Transmitter attack time

The transmitter attack time shall be less than 10  $\mu$ s at extreme conditions.

#### 4.5.4.2.2 Transmitter release time

The transmitter release time shall be less than 10  $\mu$ s at extreme conditions.

#### 4.5.4.2.3 Minimum power

From the first symbol of the packet, p0, to the end of the physical packet, the transmitted power shall be greater than (NTP - 1 dB) at extreme conditions.



#### 4.5.4.2.4 Maximum power

- a) From 10  $\mu$ s after the start of symbol p0 to 10  $\mu$ s after the end of the physical packet, the transmitted power shall be less than (NTP + 1 dB) at extreme conditions.
- b) From 10  $\mu$ s before the start of symbol p0 to 10  $\mu$ s after the start of symbol p0, the transmitted power shall be less than (NTP + 4 dB) and less than 315 mW at extreme conditions.

#### 4.5.4.2.5 Maintenance of transmission after packet end

The transmitted power shall be maintained greater than (NTP - 6 dB) for 0,5  $\mu$ s after the end of the physical packet at extreme conditions.

#### 4.5.4.2.6 Transmitter idle power output

For the time period starting 27  $\mu$ s after the end of the physical packet and finishing 27  $\mu$ s before the next transmission of a data symbol p0, the transmitter idle power shall be less than 20 nW, except when p0 of the next transmitted packet occurs less than 54  $\mu$ s after the end of the transmitted physical packet.

#### 4.5.4.3 Conformance

Conformance tests as defined in clause 5.3.4 shall be carried out.

### 4.5.5 Transmitted power

#### 4.5.5.1 Definitions

##### 4.5.5.1.1 PP and RFP with an integral antenna

The NTP shall be less than  $P_{NTP}$  per simultaneously active transceiver at nominal conditions.

The power measured at a temporary connector is the NTP.

##### 4.5.5.1.2 PP and RFP with external connections for all antennas

For a radio end point with more than one antenna port, the instantaneous power from each antenna port shall be added together to give the NTP.

The NTP shall be less than  $P_{NTP}$  per simultaneously active transceiver.

##### 4.5.5.1.3 PP and RFP with both integral and external antennas

If the integral and external antennas are not transmitting simultaneously then the test cases described in clauses 5.3.5.1 and 5.3.5.2 shall be applied independently. The appropriate antenna is selected using the test message referenced in clause 5.1.10.3.

If the integral and external antennas are transmitting simultaneously then both clauses 5.3.5.1 and 5.3.5.2 shall be applied and the results shall be added to give the NTP.

#### 4.5.5.2 Limits

$P_{NTP}$  is 250 mW: equal to 24 dBm.

The antenna gain of integral antennas shall be less than (12dBi + X). X is the difference in dB between 24 dBm and the NTP expressed in dBm for any one active transceiver.

#### 4.5.5.3 Conformance

Conformance tests as defined in clause 5.3.5 shall be carried out.

## 4.5.6 RF carrier modulation

### 4.5.6.1 Definition

The modulation method shall be Gaussian Frequency Shift Keying, (GFSK), with a bandwidth-bit period product of nominally 0,5 and a nominal peak deviation ( $f$ ) of 288 kHz.

A binary "1" is encoded with a peak frequency deviation of ( $+f$ ), giving a peak transmit frequency of ( $F_c + f$ ), which is greater than the carrier frequency of ( $F_c$ ). A binary "0" is encoded with a peak frequency deviation of ( $-f$ ), giving a peak transmit frequency of ( $F_c - f$ ).

For High level modulation options, see clause 4.5.13.

### 4.5.6.2 Limits

The achieved deviation in any given PP or RFP may vary from this nominal value as follows:

NOTE 1: These limits apply equally to positive and negative deviations.

- Case A: Case A shall apply to the transmission of a repeating binary sequence of four "1"s and four "0"s:
  - ....000011110000111100001111....
  - The deviation limits for case A shall be:
    - peak deviation greater than 259 kHz (90 % of nominal);
    - peak deviation less than 403 kHz (140 % of nominal).
- Case B: Case B shall apply to the transmission of all other binary sequences (sequences both longer and shorter than case A) that contain a maximum "digital sum variation" (see note 2) with an absolute value equal to or less than sixty four:
  - The deviation limits for case B shall be:
    - peak deviation greater than 202 kHz (70 % of nominal);
    - peak deviation less than 403 kHz (140 % of nominal).

NOTE 2: Case B includes the case of a ".1010." sequence.

NOTE 3: "Digital Sum Variation" (DSV) is defined as the cumulative total of all transmitted symbols, counted from the start of the transmission burst. A binary "1" counts as (+1); a binary "0" as (-1). The DSV total indicates the cumulative DC balance of the transmitted symbols.

### 4.5.6.3 Conformance

Conformance tests as defined in clause 5.3.6 shall be carried out.

## 4.5.7 Unwanted RF power radiation

### 4.5.7.1 General

If the EUT is equipped with antenna diversity, the EUT shall have the diversity operation defeated for the following tests (see clause 5.1.10.3 for the appropriate test message reference).

### 4.5.7.2 Emissions due to modulation

#### 4.5.7.2.1 Definition

The unwanted emission(s) due to modulation is the power measured in any DECT RF channel other than the one in which the EUT is transmitting, integrated over a bandwidth of 1 MHz.

#### 4.5.7.2.2 Limits

With transmissions on physical channel Ra (K, L, M, N) in successive frames, the power in physical channel Ra (K, L, Y, N) shall be less than the values given in table 5.

**Table 5: Emissions modulation**

Emissions on RF channel "Y"	Maximum power level
$Y = M \pm 1$	160 $\mu$ W
$Y = M \pm 2$	1 $\mu$ W
$Y = M \pm 3$	80 nW
Y = any other DECT channel	40 nW
NOTE: For Y = "any other DECT channel", the maximum power level shall be less than 40 nW except for one instance of a 500 nW signal.	

The power in RF channel Y is defined by integration over a bandwidth of 1 MHz centred on the nominal centre frequency,  $F_y$ , averaged over at least 60 % but less than 80 % of the physical packet, and starting before 25 % of the physical packet has been transmitted but after the synchronization word.

#### 4.5.7.2.3 Conformance

Conformance tests as defined in clause 5.3.7 shall be carried out.

#### 4.5.7.3 Emissions due to transmitter transients

##### 4.5.7.3.1 Definition

The power level of all modulation products (including AM components due to the switching on or off of the modulated RF carrier) in a DECT RF channel as a result of a transmission on another DECT RF channel.

##### 4.5.7.3.2 Limits

The power level of all modulation products (including Amplitude Modulation (AM) products due to the switching on or off of a modulated RF carrier) arising from a transmission on RF channel M shall, when measured using a peak hold technique, be less than the values given in table 6. The measurement bandwidth shall be 100 kHz and the power shall be integrated over a 1 MHz bandwidth centred on the DECT frequency,  $F_y$ .

**Table 6: Emissions due to transmitter transients**

Emissions on RF channel "Y"	Maximum power level
$Y = M \pm 1$	250 $\mu$ W
$Y = M \pm 2$	40 $\mu$ W
$Y = M \pm 3$	4 $\mu$ W
Y = any other DECT channel	1 $\mu$ W

##### 4.5.7.3.3 Conformance

Conformance tests as defined in clause 5.3.7 shall be carried out.

#### 4.5.7.4 Emissions due to intermodulation

##### 4.5.7.4.1 Definition

The power level of intermodulation products that are on any DECT physical channel when any combination of the transmitters at a radio FP or portable part are in calls on the same slot on different frequencies.

#### 4.5.7.4.2 Limits

The power level of intermodulation products that are on any DECT physical channel when any combination of the transmitters at a radio end point are in calls on the same slot on different frequencies shall be less than  $1 \mu\text{W}$ . The power level is defined by integration over the 1 MHz centred on the nominal centre frequency of the afflicted channel and averaged over the time period in clause 4.5.7.2.2.

#### 4.5.7.4.3 Conformance

Conformance tests as defined in clause 5.3.7 shall be carried out.

### 4.5.7.5 Spurious emissions when allocated a transmit channel

#### 4.5.7.5.1 Definition

The peak power level of any RF emissions outside the radio frequency band allocated to DECT, when a radio endpoint has been allocated a transmit channel. If a Radio End Point has more than one transceiver, any out of band transmitter intermodulation products shall also be included.

The limits and conformance requirements cover two kinds of emissions, radiated and conducted spurious emissions.

#### 4.5.7.5.2 Limits

The peak power level of RF emissions outside the radio frequency band allocated to DECT, as described in annex E, shall meet the limits shown in table 7. If a radio end point has more than one transceiver, any out of band transmitter intermodulation products shall also be within these limits. The requirements in table 7 are only applicable for frequencies, which are greater than 12,5 MHz away from the centre frequency ( $f_c$ ) of a carrier.

**Table 7: Spurious emissions requirements**

Frequency	Minimum requirement/ Reference bandwidth
$30 \text{ MHz} \leq f < 1\,000 \text{ MHz}$	-36 dBm/100 kHz
$1 \text{ GHz} \leq f < 12,75 \text{ GHz}$ $f_c - 12,5 \text{ MHz} < f < f_c + 12,5 \text{ MHz}$	-30 dBm/1 MHz Not defined

#### 4.5.7.5.3 Conformance

Conformance tests as defined in clause 5.3.7 shall be carried out.

### 4.5.8 Radio receiver testing

#### 4.5.8.1 Radio receiver sensitivity

##### 4.5.8.1.1 Definition

The radio receiver sensitivity is defined as the power level at the receiver input at which the Bit Error Ratio (BER) is 0,001. The radio receiver sensitivity shall be  $60 \text{ dB}\mu\text{V/m}$  (-83 dBm) or better.

##### 4.5.8.1.2 Limits

The radio receiver sensitivity is defined as the power level at the receiver input at which the Bit Error Rate (BER) is 0,001 in the D-field.

The radio receiver sensitivity shall be -83 dBm (i.e.  $60 \text{ dB}\mu\text{V/m}$ ), or better. This limit shall be met for a reference DECT radio end point transmitted frequency error of  $\pm 50 \text{ kHz}$  for PPs and RFPs.

This requirement shall be met with the radio end point under test operating in time division duplex mode with a reference DECT radio end point.

Before using a DECT physical channel for transmission or reception, the receiver shall be able to measure the strength of signals on that physical channel, that are received stronger than -93 dBm (i.e. 50 dB $\mu$ V/m) and weaker than -33 dBm (i.e. 110 dB $\mu$ V/m) with a resolution of better than 6 dB. Signals that are received weaker than -93 dBm shall produce a result equal to, or less than that produced by a signal of -93 dBm. Signals that are received stronger than -33 dBm shall produce a result equal to, or greater than that produced by a signal of -33 dBm.

#### 4.5.8.1.3 Conformance

Conformance tests as defined in clause 5.3.8 shall be carried out.

### 4.5.8.2 Radio receiver reference BER and FER

#### 4.5.8.2.1 Definition

The radio receiver reference BER and FER is the maximum allowed BER and FER for a power level at the receiver input of -73 dBm or greater (i.e. 70 dB $\mu$ V/m).

#### 4.5.8.2.2 Limits

The radio receiver reference bit error rate and frame error ratio is the maximum allowed bit error rate and frame error ratio for a power level at the receiver input of -73 dBm or greater (i.e. 70 dB $\mu$ V/m).

The reference bit error rate is 0,00001 in the D-field. The reference frame error ratio is 0,0005.

#### 4.5.8.2.3 Conformance

Conformance tests as defined in clause 5.3.8 shall be carried out.

### 4.5.8.3 Radio receiver interference performance

#### 4.5.8.3.1 Definition

The ability of DECT equipment to continue receiving in the presence of an interfering signal on the same or different DECT RF channel.

#### 4.5.8.3.2 Limits

With a received signal strength of -73 dBm (i.e. 70 dB $\mu$ V/m) on RF channel M, the BER in the D-field shall be maintained better than 0,001 when a modulated, reference DECT interferer of the indicated strength is introduced on the DECT RF channels shown in table 8.

**Table 8: Receiver interference performance**

Interferer on RF channel "Y":	Interferer signal strength	
	(dB $\mu$ V/m)	(dBm)
Y = M	59	-84
Y = M $\pm$ 1	83	-60
Y = M $\pm$ 2	104	-39
Y = any other DECT channel	110	-33
NOTE: The RF carriers "Y" shall include the three nominal DECT RF carrier positions immediately outside each edge of the DECT band.		

#### 4.5.8.3.3 Conformance

Conformance tests as defined in clause 5.3.8 shall be carried out.

#### 4.5.8.4 Radio receiver blocking case 1: owing to signals occurring at the same time but on other frequencies

##### 4.5.8.4.1 Definition

The receiver should work in the presence of strong signals on other frequencies. These interferers may be modulated carriers or single continuous - wave carriers.

##### 4.5.8.4.2 Limits

The receiver should work in the presence of strong signals on other frequencies. These interferers may be modulated carriers or single frequency signals. The operation in the presence of DECT modulated signals has been described in clause 4.5.8.3.

With the desired signal set at -80 dBm, the BER shall be maintained below 0,001 in the D-field in the presence of any one of the signals shown in table 9.

The receiver shall operate on a frequency band allocation with the low band edge  $F_L$  MHz and the high band edge  $F_U$  MHz.

**Table 9: Receiver blocking**

Frequency (f)	Continuous wave interferer level	
	For radiated measurements dB $\mu$ V/m	For conducted measurements dBm
$25 \text{ MHz} \leq f < F_L - 100 \text{ MHz}$	120	-23
$F_L - 100 \text{ MHz} \leq f < F_L - 5 \text{ MHz}$	110	-33
$ f - F_C  > 6 \text{ MHz}$	100	-43
$F_U + 5 \text{ MHz} < f \leq F_U + 100 \text{ MHz}$	110	-33
$F_U + 100 \text{ MHz} < f \leq 12,75 \text{ GHz}$	120	-23

For the basic DECT frequency band allocation  $F_L$  is 1 880 MHz and  $F_U$  is 1 900 MHz. Receivers may support additional carriers, e.g. up to  $F_U = 1 920$  MHz.

##### 4.5.8.4.3 Conformance

Conformance tests as defined in clause 5.3.8 shall be carried out.

#### 4.5.8.5 Radio receiver blocking case 2: owing to signals occurring at a different time

##### 4.5.8.5.1 Definition

When a high level interferer is present in a physical channel other than the one the receiver is on, the receiver is able to continue receiving the desired signal.

##### 4.5.8.5.2 Limits

With a signal of strength -14 dBm (i.e. 129 dB/ $\mu$ Vm) incident on the receiver in slot "N" on RF carrier "M", the receiver shall be able to receive at -83 dBm, and with the BER in the D-field maintained better than 0,001, on slot (N + 2) modulo 24 on any DECT RF carrier.

##### 4.5.8.5.3 Conformance

Conformance tests as defined in clause 5.3.8 shall be carried out.

## 4.5.8.6 Receiver intermodulation performance

### 4.5.8.6.1 Definition

With a call set-up on a particular physical channel, two interferers are introduced so that they can produce an intermodulation product on the physical channel already in use.

### 4.5.8.6.2 Limits

With a call set up on a particular physical channel, two interferers are introduced so that they can produce an intermodulation product on the physical channel already in use.

If RF carrier number "d" is in use, a reference DECT interferer and a continuous wave interferer are introduced on DECT carriers "e" and "f" to produce an intermodulation product on carrier "d". Neither "e" nor "f" shall be adjacent to "d".

The received level of carriers "e" and "f" shall be -48 dBm and the received level of carrier "d" shall be -80 dBm.

With "e" and "f" being received 32 dB greater than "d", and "d" being received at -80 dBm, the receiver shall still operate with a BER of less than 0,001 in the D-field.

### 4.5.8.6.3 Conformance

Conformance tests as defined in clause 5.3.8 shall be carried out.

## 4.5.8.7 Spurious emissions when the PP has no allocated transmit channel

### 4.5.8.7.1 Definition

The power level of any spurious emission when the PP has not been allocated a transmit channel.

### 4.5.8.7.2 Limits

#### 4.5.8.7.2.1 Out of band

The power level of any spurious emissions when the radio end point has no allocated transmit channel shall not exceed 2 nW between 30 MHz and 1 GHz. Between 1 GHz and 12,75 GHz the power level shall not exceed 20 nW.

The power shall be measured using a peak hold technique with a 100 kHz measurement bandwidth below 1 GHz and with a 1 MHz measurement bandwidth above 1 GHz.

#### 4.5.8.7.2.2 In the DECT band

The power level of any spurious emissions within the DECT band shall not exceed 2 nW measured in a 1 MHz bandwidth. The following exceptions are allowed:

- a) in one 1 MHz band, the maximum allowable Effective Radiated Power (ERP) shall be less than 20 nW;
- b) in up to two bands of 30 kHz, the maximum ERP shall be less than 250 nW.

### 4.5.8.7.3 Conformance

Conformance tests as defined in clause 5.3.8 shall be carried out.

## 4.5.9 Channel access

### 4.5.9.1 Channel selection

The applicant shall declare that he conforms to all obligatory conditions in ETSI EN 300 175-3 [2], clauses 11.4 and 11.6.

For DECT Ultra Low Energy devices the requirements given in clause 4.5.9.5 shall apply.

If the applicant also supports "no-emission" mode, in this mode the quick wakeup-selection according to ETSI EN 300 175-3 [2], clauses 9.4.3 and 9.4.4 shall be confirmed.

### 4.5.9.2 Channel confirmation

#### 4.5.9.2.1 For the PT

The applicant shall declare that for the PT:

- the first PT transmission on the newly selected channel shall be made in accordance with the scan sequence of the addressed RFP;
- to continue transmitting on the newly selected physical channel the PT shall receive an indication that the FT is receiving the PT transmissions within 2 frames of the first PT transmission. For the "no-emission" mode wakeup requests, longer unconfirmed transmission intervals of up to N211 frames (see ETSI EN 300 175-3 [2], clause A.2) are allowed. See also ETSI EN 300 175-3 [2], clause 9.4.4.

#### 4.5.9.2.2 For the FT

The applicant shall declare that for the FT:

- the RFP shall not transmit on more than 2 physical channels for which complementary physical channels do not exist;  
For the "no-emission" mode wakeup requests, longer unconfirmed transmission intervals of up to N210 frames (see ETSI EN 300 175-3 [2], clause A.2) are allowed. See also ETSI EN 300 175-3 [2], clause 9.4.3. For this time span the RFP may transmit on more than 2 physical channels for which complementary physical channels do not exist. The total time used for the above mentioned physical channels shall not exceed 2 ms per frame;
- temporarily more than 2 dummy bearers may exist when an RFP has double dummies and dummy bearer hopping is enabled as defined in ETSI EN 300 175-3 [2], clause 5.7;

NOTE: A complementary physical channel is a physical channel between the same two radio endpoints which occurs 5 ms before or after the physical channel to which it is complementary.

- the first transmission of an FT, which uses fast connection setup to address a specific PT, shall be made in accordance with the scan sequence of the addressed PT receiver;
- to continue transmitting on the selected physical channel the FT shall receive an indication that the PT is receiving the FT transmissions within 2 frames of the first FT transmission.

### 4.5.9.3 Channel release

The applicant shall declare that:

- a radio end point shall cease transmission of a bearer on a physical channel and release the bearer if it has not received the correct RFPI, with a correct CRC, on that bearer in the last 10 s;



- a radio end point which transmits on both the physical channel and complementary physical channel shall cease to transmit on the channels if either:
  - a) the receiving endpoint indicates to the transmitting endpoint that transmission shall cease on both these physical channels; or
  - b) the transmitting FT or PT is no longer attempting to receive at least one physical channel from the FT or PT to which it is transmitting.

#### 4.5.9.4 General

For an FT or PT the applicant shall declare:

- that multibearer connections shall only exist in full slot and double slot transmission mode;
- which subset of all potential IMT-FT carriers the EUT is capable of communicating on, and if the EUT also is capable of communicating on DECT RF channels,  $c < 10$ . See notations in annex E.

#### 4.5.9.5 Channel selection and confirmation for DECT ULE

##### 4.5.9.5.1 General

For DECT Ultra Low Energy devices the applicant shall declare that he conforms to all obligatory conditions given by ETSI EN 300 175-3 [2], clause 11.12.

##### 4.5.9.5.2 For the PT

The applicant shall declare that for the PT:

- the PT implements the PT related requirements of the overall architecture of ULE channel selection processes described in ETSI EN 300 175-3 [2] clause 11.12.2;
- the PT implements the Process M1 (PP side channel selection process) as described in ETSI EN 300 175-3 [2], clause 11.12.5 and the Setup attempt and evaluation of responses described in ETSI EN 300 175-3 [2], clause 11.12.6;
- the PT implements the Process M2 (collision handling/collision avoidance process) as described in ETSI EN 300 175-3 [2] clause 11.12.7.

##### 4.5.9.5.3 For the FT

The applicant shall declare that for the FT:

- the RFP implements the FT related requirements of the overall architecture of ULE channel selection processes described in ETSI EN 300 175-3 [2], clause 11.12.2;
- the RFP implements a RFP side pre-selection process according to ETSI EN 300 175-3 [2], clause 11.12.3;
- the RFP implements the Broadcasts mechanism described in ETSI EN 300 175-3 [2], clause 11.12.4.

#### 4.5.10 WRS testing

##### 4.5.10.1 General requirements

The WRS shall be tested as a stand alone PP and shall comply with all relevant PP test cases in the present document. In addition the WRS shall be tested as an RFP as regards the carrier frequency demands of clause 4.5.2 and reference timer accuracy demands of clause 4.5.3 of the present document.

The WRS EUT shall meet the requirements and the applicants declarations as described in the present document.

A WRS requires to be synchronized to a dummy bearer to derive its reference timer for PT and FT transmissions.

#### 4.5.10.2 Testing as a PP

The WRS shall operate as a PP in the Test-Standby Mode (TSM), annex C, as a stand alone module.

In this mode it shall be tested as a normal PP with the exception that it shall be tested for the RFP class E2 if it is intended for outdoor use, and that test case 19 is not applicable. See figure 2.

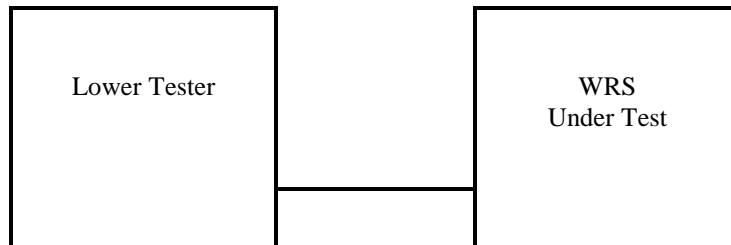


Figure 2: WRS testing as a PP

#### 4.5.10.3 Testing as an RFP

A dummy bearer shall be generated by the Lower Tester or (if that is not possible) by an RFP supplied by the applicant and conforms to the present document. The WRS EUT shall be synchronized to the dummy bearer and shall operate as an RFP in Test-Standby Mode. The dummy bearer may change bearer during the test.

The EUT shall comply with the FT demands of the present document on reference timer accuracy, frequency accuracy, equipment identity and efficient use of the radio spectrum. See figure 3.

NOTE: The power combiner is not needed if the PP and RFP functions have different antenna connectors.

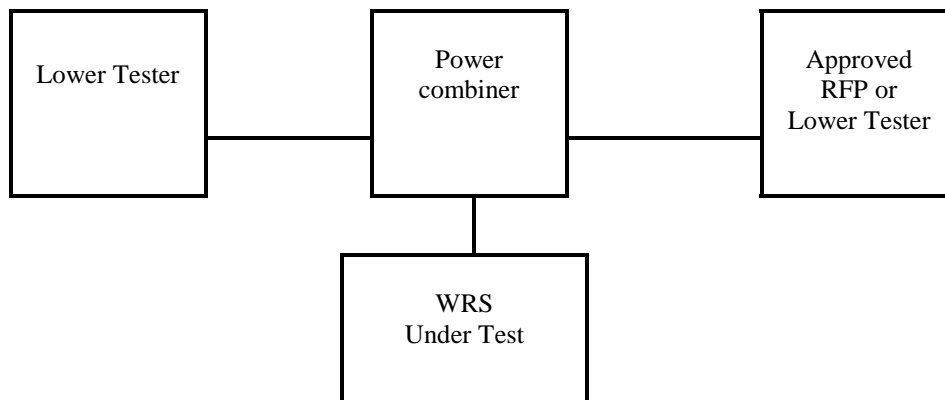
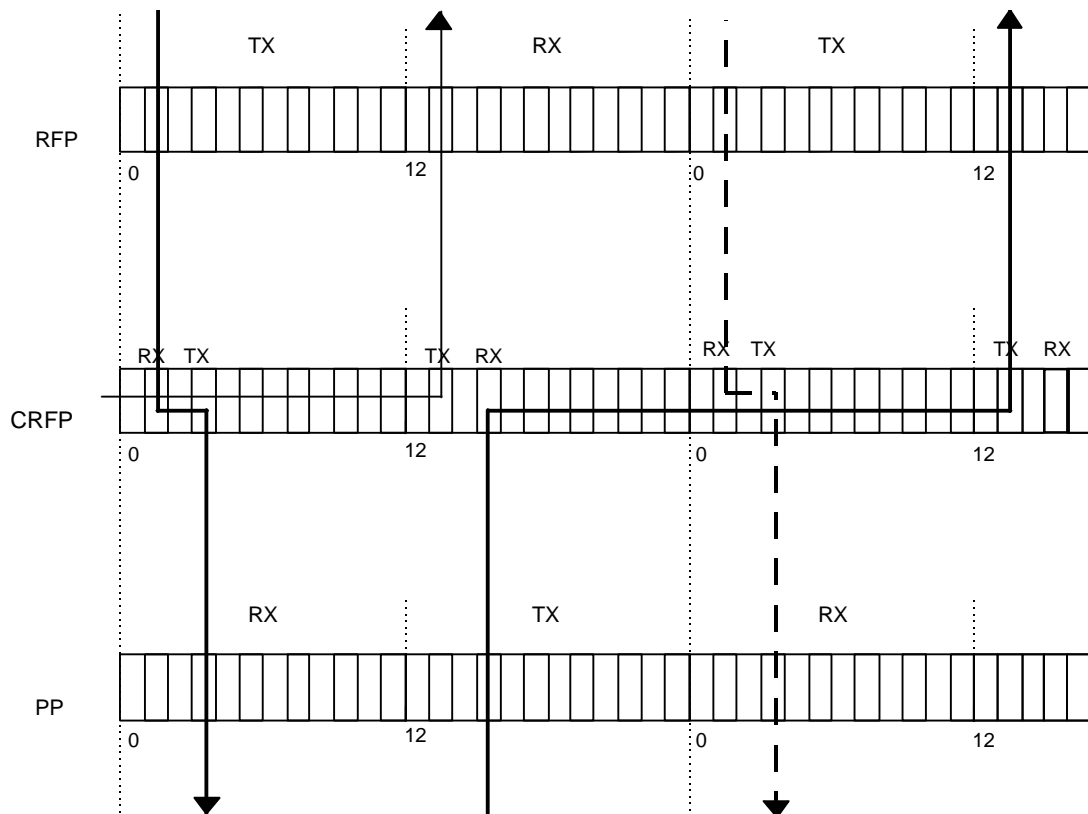


Figure 3: WRS testing as an RFP

#### 4.5.10.4 Additional requirements

- a) The EUT shall provide a mechanism, to control the number of multihops.
  - The WRS that is locked to an FT shall decrease the value HOPS (when > 0) of the corresponding WRS type (CRFP or REP respectively; see clauses 5 and 6 in the received extended fixed part capabilities message (see ETSI EN 300 175-3 [2], clause 7.2.3.5.2.1) for the transmission of its own extended fixed part capability information.
- b) The EUT of CRFP type shall apply the following frame multiplexing structure.
  - Figure 4 shows the typical frame multiplexing structure for a CRFP that supports full slots with IN\_minimum\_delay.



**Figure 4: Typical frame multiplexing structure of the CRFP**

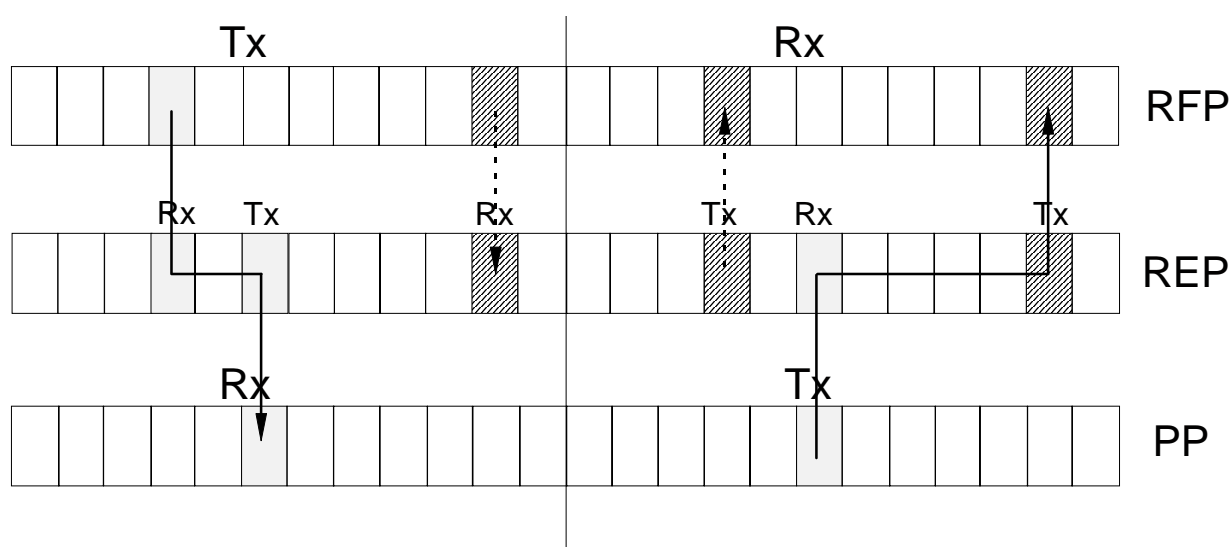
- Use of one hop via a CRFP will cause an additional delay of 1 frame, no matter what timeslots are used.
- The frame multiplexing structure supports a combination of both links with PTs and FTs. In this dual frame multiplexing structure the CRFP may transmit or receive during any slot of a frame. A duplex bearer to either the PT or FT is still supported by a combination of a CRFP Receive (RX) and Transmit (TX) slot separated by one half frame.
- The CRFP shall support the frame multiplexing structure defined as:
  - CRFP-PT frames and CRFP-FT frames are synchronized to the FT frames;
  - CRFP-PT and CRFP-FT bearer control complies at least with ETSI EN 300 175-3 [2] (e.g. Duplex bearers are separated by one half frame);
  - relayed logical channels are buffered to support MAC multiplexing rules of CRFP-PT and CRFP-FT;
  - available slots of the CRFP are marked to be either Receive (RX) or Transmit (TX) slots. A slot shall be regarded as TX slot only when it is actually used for transmission.

NOTE 1: During the first half frame (e.g. Slot 0 to 11) all RX slots listen to FT transmissions and all TX slots transmit to PTs. During the second half frame all RX slots listen to PTs and all TX slots should transmit to FT.

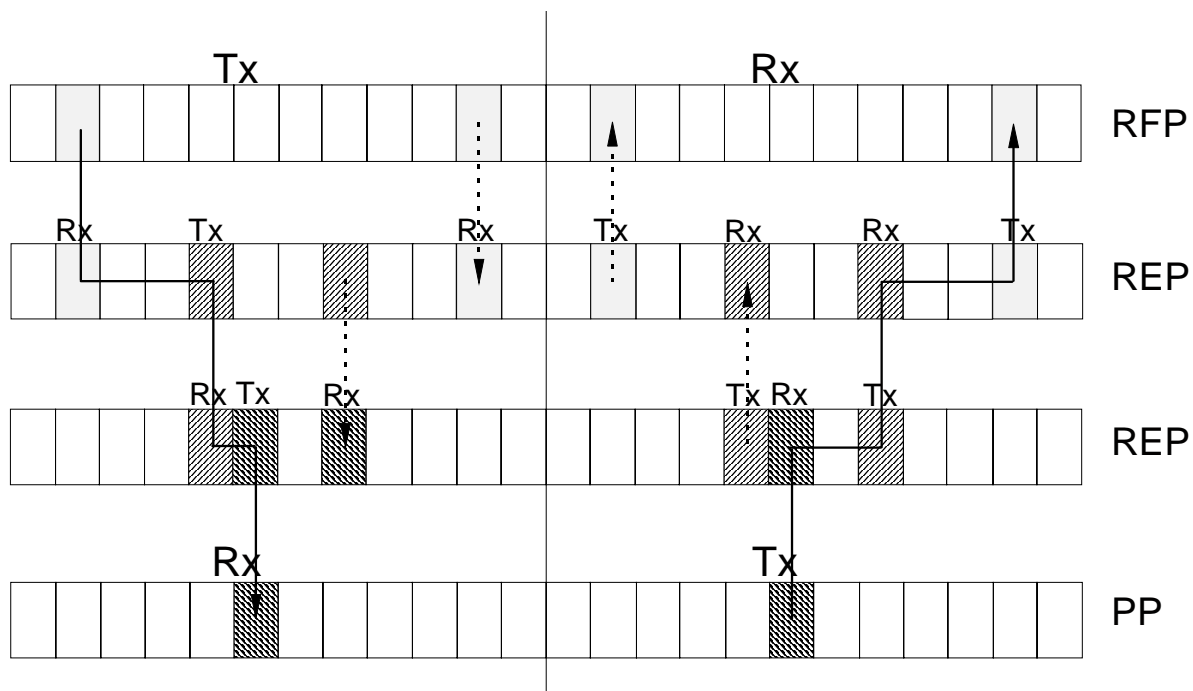
- RX and TX slots of one relayed bearer belong to the same half frame.

NOTE 2: In idle mode the CRFP listens to an FT during all frames, transmits at least one dummy bearer (see ETSI EN 300 175-3 [2]) to PTs and performs receiver scanning on all other slots. Idle receiver scanning is done in accordance with PT and FT idle receiver scan procedures.

- c) The EUT of REP type shall apply the following frame multiplexing structure.
- REP can switch from transmit to receive mode on a time slot base. REP, once locked to a suitable FT (other WRS), is listening for bearer set up attempts on the idle time slots (i.e. slots where REP does not transmit nor receive) of the second half frame while, on the idle time slots of the first half frame, it is scanning for suitable channels and listening for suitable FTs (other WRSs) to get synchronized to. REP shall scan the radio environment in the second half frame synchronously with the locked FT (other WRS).
  - REP relays the information received from one radio termination to another radio termination, combining Physical and MAC layer functionalities both of a PT and of an FT, with some improvements when interfacing the FT (another WRS). The relay of the information between the two radio terminations is completed within the half frame time interval.
  - Figure 5 describes an example of frame structure and slot allocation within REP, RFP and PP when relaying one duplex bearer connection through a single hop; figure 6 describes the frame multiplexing structure when relaying one duplex bearer connection through two hops.

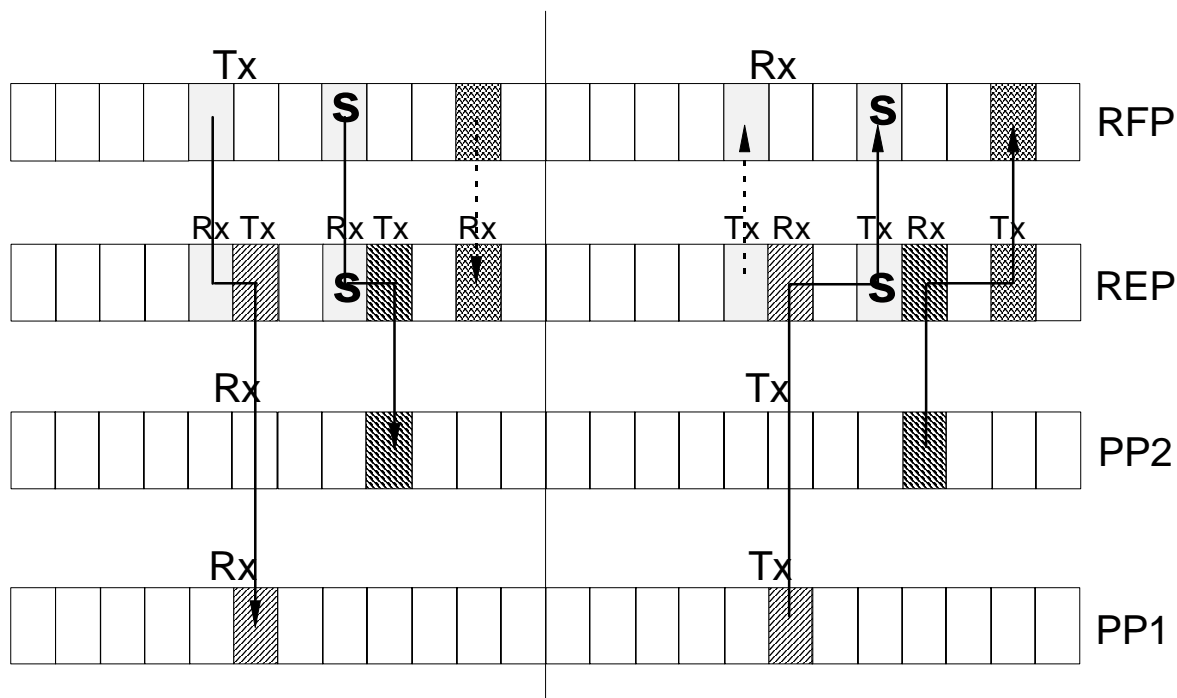


**Figure 5: Frame multiplexing structure when relaying one duplex bearer connection through a single hop**



**Figure 6: Frame multiplexing structure when relaying one duplex bearer connection through two hops**

- In figure 7 an example of two single duplex bearer connections, REP relayed with an interlacing procedure (see ETSI EN 300 700 [6], clause 6.4.1.1.3) is presented; PP1 and PP2 connections share on REP the slot pair (i.e. the duplex bearer) marked with "S".



**Figure 7: Two single duplex bearer connections, REP relayed with interlacing**

d) The REP EUT shall conform to the requirements for channel selection of double duplex bearers.

- Once in one of the states, i.e. Active\_Idle or in Active\_Traffic or in Active\_Locked, REP may start transmission on a physical channel according to ETSI EN 300 175-3 [2], clause 11.4 with the following additions:

- double duplex bearers:

- The relay of a duplex or of a double duplex bearer requires, at the REP\_PT air interface, the setup of a double duplex bearer. Said  $((y ; y + 12) ; f_y)$  and  $((z ; z + 12) ; f_z)$  the two time slot pairs of the double duplex bearer to be setup and respectively  $((x ; x + 12) ; f_x)$  or  $((x_1 ; x_1 + 12) ; f_{x_1})$  and  $((x_2 ; x_2 + 12) ; f_{x_2})$  the time slot pair or the two time slot pairs of the associated duplex bearer or double duplex bearer to be relayed, the following further restriction has to be respected:

$$0 \leq Y < X \text{ (where } X = \min (X_1; X_2)\text{); and}$$

$$X < Z \leq 11 \text{ (where } X = \max (X_1; X_2)\text{).$$

- double simplex bearer:

- The relay of a double simplex bearer requires, at the REP\_PT (REP\_FT) air interface, the setup of another double simplex bearer.
- Said  $(x ; x + 12)$  the time slot pair of the double simplex bearer to be setup and  $(y ; y + 12)$  the time slot pair of the double simplex bearer to be relayed, the following further restriction has to be respected:

$$X > Y.$$

#### 4.5.10.5 Conformance

Conformance tests as defined in clause 5.3.10 shall be carried out.

### 4.5.11 Requirements for PPs with direct PP to PP communication mode

#### 4.5.11.1 General requirements

Most PPs will be able to operate also in the normal non-direct communication mode. In this case the direct mode will be temporary, and all PPs in a group of PPs intended to communicate in direct communication mode have to be switched into this mode (manually or by other means), since a PP in non-direct mode can only receive paging information from the system to which it is locked. For further description see ETSI EN 300 175-3 [2], annex G.

PPs or CTAs in direct communication mode shall meet the PP requirements for normal non-direct communication with the amendments defined in the present clause.

#### 4.5.11.2 Setting the EUT in direct communications mode

Entering and leaving the direct communications mode shall be made by manual keypad entries or by other means. The EUT shall be set in direct communications mode provided with proper identities. If class E identities are used, the requirements for class E identities in ETSI EN 300 175-6 [4], clauses 5.5, 6.1.5 and 6.3.2 shall be met.

When not processing a call, the EUT shall be in active unlocked PP state.

The applicant shall provide information about T1, typically 10 s, and T2 typically 20 s.

### 4.5.11.3 When the EUT has not initiated a call

When the EUT has not initiated a call, it shall meet the "non-direct mode" PP requirements of the present document, but with the following amendments:

- a) The EUT shall in the active unlocked PP state scan all channels on relevant carriers at least every  $T_1$  s.
- b) If ARI class E is used, the paged EUT is allowed to make the bearer setup attempt only on the channel pair where the initiating PP transmits.

### 4.5.11.4 When the EUT initiates a call

By initiating a call means that the number of the wanted subscriber is entered via the keypad or by other means, and that the EUT at "off-hook command" shall enter the RFP active idle state. See ETSI EN 300 175-3 [2], clause 4.3.

When the EUT initiates a call, it shall meet the "non-direct mode" RFP requirements of the present document, but with the following amendments:

- a) the 25 ppm PP timer stability requirements apply. See ETSI EN 300 175-2 [1], clause 4.2.2;
- b) an EUT entering RFP mode is allowed to derive over the air frame and slot synchronization from a DECT system having "non-class E" identities;
- c) the EUT shall use FP or PP simplex bearer channel selection rules for the RFP active idle state. See ETSI EN 300 175-3 [2], clause 11.4;
- d) the page message shall be transmitted in every multiframe as long as in active idle state;
- e) the short page format shall be used for ARI class E;
- f) the EUT shall revert from active idle RFP state to PP active unlocked state, if a duplex bearer has not been established within  $T_2 > T_1$  s;
- g) the PP is not required to do receiver scanning for ARI class E in RFP active idle nor active state. See ETSI EN 300 175-3 [2], clause 11.8 and ETSI EN 300 175-6 [4], clause 5.5;
- h) if identities class E are used, the  $N_T$  message will not contain an ETSI distributed code. See clause 4.5.10.2 of the present document.

### 4.5.11.5 Conformance

Conformance tests as defined in clause 5.3.11 shall be carried out.

## 4.5.12 Distributed communications

### 4.5.12.1 General requirements

PPs and CTAs with distributed communications option, HyPs, shall be tested as a stand alone PP and shall comply with all relevant PP test cases in the present document. In addition the HyPs shall be tested as an RFP as regards the carrier frequency demands of clause 4.5.2 and reference timer accuracy demands of clause 4.5.3.4 of the present document.

The HyP EUT shall meet the requirements and the applicants declarations as described in the present document.

A HyP requires to be synchronized to a bearer to derive its reference timer for PT and FT transmissions.

#### 4.5.12.2 Testing as a PP

The EUT shall operate as a PP in the Test Standby Mode (TSM), annex C, as a stand alone module.

In this mode it shall be tested as a normal PP, see figure 8.

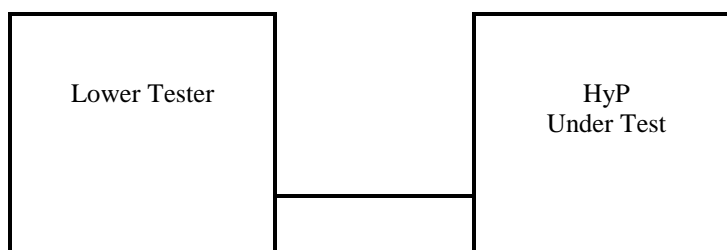


Figure 8: HyP testing as a PP

#### 4.5.12.3 Testing as an RFP

A dummy bearer shall be generated by the Lower Tester or (if that is not possible) by an RFP supplied by the applicant and conforms to the present document. The EUT shall be synchronized to the dummy bearer and shall operate as an RFP in test Standby Mode. The dummy bearer may change bearer during the test.

The EUT shall comply with the FT demands of the present document on Reference Timer accuracy, Frequency accuracy, Equipment Identity and Efficient Use of the Radio Spectrum. See figure 9.

NOTE: The power combiner is not needed if the PP and RFP functions have different antenna connectors.

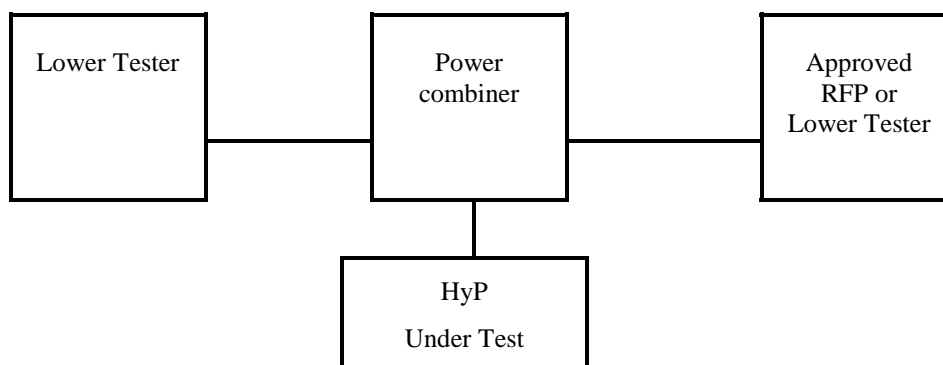


Figure 9: HyP testing as an RFP

#### 4.5.12.4 Conformance

Conformance tests as defined in clause 5.3.12 shall be carried out.

### 4.5.13 Higher level modulation options

#### 4.5.13.1 Requirements

The 4-level modulation shall be  $\pi/4$ -DQPSK, the 8-level modulation  $\pi/8$ -D8PSK, the 16-level modulation 16 QAM and the 64-level modulation 64 QAM (see ETSI EN 300 175-2 [1], annex D). It is only allowed to use 4-level or higher level modulation in the B + Z or the A + B + Z fields, see ETSI EN 300 175-2 [1], clause 4.8 and ETSI EN 300 175-3 [2], clause 6.2.1.1, whereby the S + A or the S field respectively shall use the  $\pi/2$ -DBPSK 2-level modulation as defined in ETSI EN 300 175-2 [1], annex D. The different configurations, 1a to 6, for allowed combinations of modulation schemes are defined in table 10.



**Table 10: Configurations of allowed combinations of modulation types in the S-, A and (B + Z)-fields**

Configuration	S-field	A-field	B+X+Z-field when E/U mux is in U mode	B+X+Z-field when E/U mux is in E or E+U modes (see note)
1a	GFSK	GFSK	GFSK	GFSK
1b	$\pi/2$ -DBPSK	$\pi/2$ -DBPSK	$\pi/2$ -DBPSK	$\pi/2$ -DBPSK
2	$\pi/2$ -DBPSK	$\pi/2$ -DBPSK	$\pi/4$ -DQPSK	$\pi/4$ -DQPSK
2b	$\pi/2$ -DBPSK	$\pi/2$ -DBPSK	$\pi/4$ -DQPSK	$\pi/2$ -DBPSK
3	$\pi/2$ -DBPSK	$\pi/2$ -DBPSK	$\pi/8$ -D8PSK	$\pi/8$ -D8PSK
3b	$\pi/2$ -DBPSK	$\pi/2$ -DBPSK	$\pi/8$ -D8PSK	$\pi/4$ -DQPSK
4a	$\pi/2$ -DBPSK	$\pi/4$ -DQPSK	$\pi/4$ -DQPSK	$\pi/4$ -DQPSK
4b	$\pi/2$ -DBPSK	$\pi/8$ -D8PSK	$\pi/8$ -D8PSK	$\pi/8$ -D8PSK
5	$\pi/2$ -DBPSK	$\pi/2$ -DBPSK	16-QAM	16-QAM
6	$\pi/2$ -DBPSK	$\pi/2$ -DBPSK	64-QAM	64-QAM

NOTE: Applies when the E/U multiplexer is in any control mode (see ETSI EN 300 175-3 [2], clauses 6.2.2.2 and 6.2.2.3).

Configuration 1a is the basic DECT modulation scheme for which all tests in the present EN are defined. Equipment that is capable of operating in any of the configurations 2 to 6 shall also be able to operate in configuration 1 (1a or 1b).

Such equipment shall in configuration 1a conform to all requirements of the present document that apply for equipment using the basic 1a configuration.

Such equipment that does not support configuration 1a, shall in configuration 1b conform to all requirements (verdict criteria) of the present document that apply for equipment using the basic 1a configuration, with the exception for clauses 4.5.6, 4.5.4.1.6 and 4.5.4.1.7.

Additionally, if the equipment includes a radio transmitter capable of 4-level and/or higher level modulation, the requirements of clauses 4.5.5 and 4.5.7 shall apply for the transmissions using the 4-level and/or higher level modulation in the B + Z or A + B + Z fields.

The applicant shall for RF carrier modulation and power template declare conformance to the standard ETSI EN 300 175-2 [1], annex D.

#### 4.5.13.2 Conformance

Conformance tests as defined in clause 5.3.13 shall be carried out.

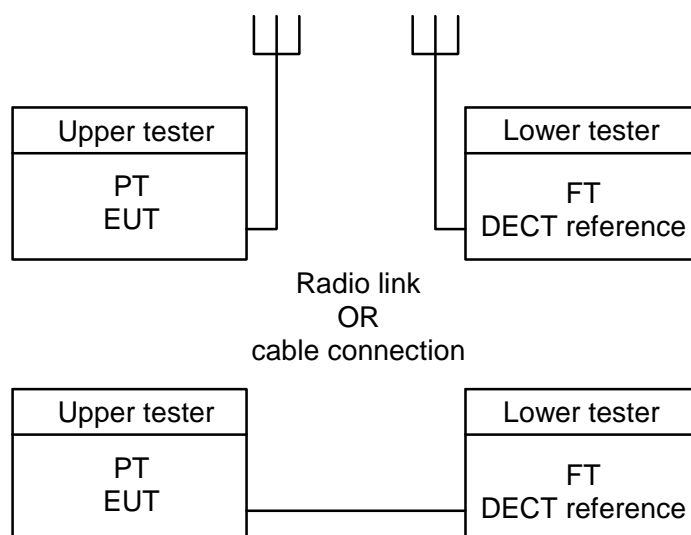
---

## 5 Testing for compliance with technical requirements

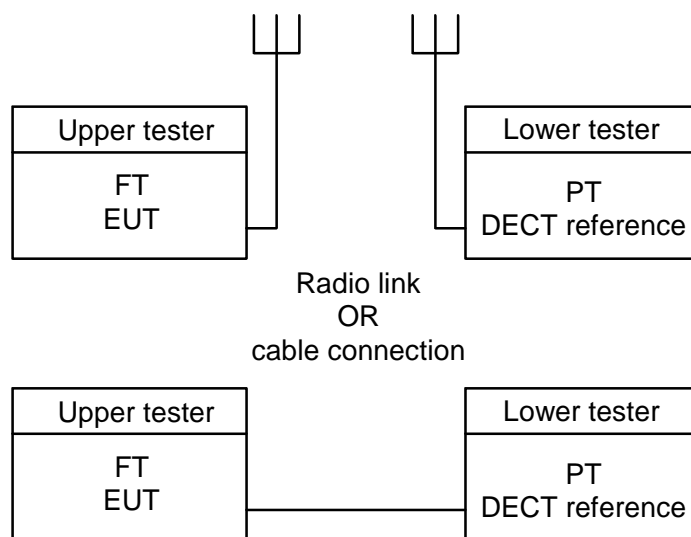
### 5.1 General test requirements

#### 5.1.1 Test philosophy

All the tests in the present document are based upon a common philosophy. This philosophy assumes that test equipment is capable of emulating a PT or FT that conforms to the DECT CI specification. Consequently, each test setup consists of the test equipment being connected to the EUT, either by a radio link or via an antenna connector. Figures 10 and 11 show the possible test configurations.



**Figure 10: The EUT is a PT**



**Figure 11: The EUT is an FT**

Figures 10 and 11 also show that, if available, the EUT can sometimes be connected to the LT by an antenna connector. This is normally preferred in order to minimize the measurement uncertainties, however, in some test cases this is not permitted and is stated as such in each test case.

The LT shall consist of the general test equipment with the functionality as described in clause 5.1.7. It shall also include an RF interface which can emulate a DECT PT, or FT. The emulated DECT PT and FT (see clause 5.1.9) is an implementation of the DECT CI specification including all the mandatory services and facilities and some provision optional, process mandatory elements as well.

The UT is contained within the EUT and operates in response to test commands which are sent by the LT over the air interface. This enables the LT to place the EUT in a variety of test modes. These are described in clause 5.1.8.

### 5.1.2 Standard position

The standard position in all test sites, except the stripline arrangement, for equipment which is not intended to be worn on a person, including hand-held equipment, shall be on a non-conducting support, height 1,5 m, capable of rotating about a vertical axis through the equipment. The standard position of the equipment shall be the following:

- a) for equipment with an integral antenna, it shall stand so that the axis of the equipment which in its normal use is closest to the vertical shall be vertical;
- b) for equipment with a rigid external antenna, the antenna shall be vertical;

- c) for equipment with a non-rigid external antenna, the antenna shall be extended vertically upwards by a non-conducting support.

In the stripline arrangement the equipment under test or the substitution antenna is placed in the designated test area in the normal operational position, relative to the applied field, on a pedestal made of a low dielectric material (dielectric constant less than 2).

### 5.1.3 Test antenna of the LT

When the test site is used for radiation measurements the test antenna shall be used for reception of the field from both the test sample and the substitution antenna. When the test site is used for the measurement of receiver characteristics the antenna shall be used as a transmitting antenna. This antenna shall be mounted on a support capable of allowing the antenna to be used in either a horizontal or vertical polarization and for the height of its centre above the ground to be varied over the specified range. Preferably test antennas with pronounced directivity should be used. The size of the test antenna along the measurement axis shall not exceed 20 % of the measuring distance.

### 5.1.4 Substitution antenna

The substitution antenna shall be used to replace the equipment under test. For measurements below 1 GHz the substitution antenna shall be a half wavelength dipole resonant at the frequency under consideration, or a shortened dipole, calibrated to the half wavelength dipole. For measurements between 1 GHz and 4 GHz either a half wavelength dipole or a horn radiator may be used.

For measurements above 4 GHz a horn radiator shall be used. The centre of this antenna shall coincide with the reference point of the test sample it has replaced. This reference point shall be the volume centre of the sample when its antenna is mounted inside the cabinet, or the point where an outside antenna is connected to the cabinet.

- Above 1 GHz the gain of the substitution antenna shall be relative to an isotropic radiator.
- Below 1 GHz where a dipole is used as the substitution antenna no gain correction is needed.
- The distance between the lower extremity of the dipole and the ground shall be at least 30 cm.

NOTE: The gain of a horn antenna is generally expressed relative to an isotropic radiator.

### 5.1.5 Test fixture

#### 5.1.5.1 Description

The test fixture is a radio frequency coupling device associated with an integral antenna equipment for coupling the integral antenna to a 50  $\Omega$  radio frequency terminal at the working frequencies of the equipment under test. This allows certain measurements to be performed using the conducted measurement methods. Measurements may only be performed at or near frequencies for which the test fixture has been calibrated.

In addition, the test fixture shall provide:

- 1) a connection to an external power supply; and
- 2) interfaces to other relevant inputs and outputs.

The test fixture should be provided by the applicant.

The performance characteristics of the test fixture shall be approved by the test laboratory and shall conform to the following basic parameters:

- a) the coupling loss shall not be greater than 20 dB;
- b) a coupling loss variation over the frequency range used in the measurement which does not exceed 2 dB;
- c) circuitry associated with the RF coupling shall contain no active or non linear devices;
- d) the Voltage Standing Wave Ratio (VSWR) at the 50  $\Omega$  socket shall not be greater than 1,5 over the frequency range of the measurements;

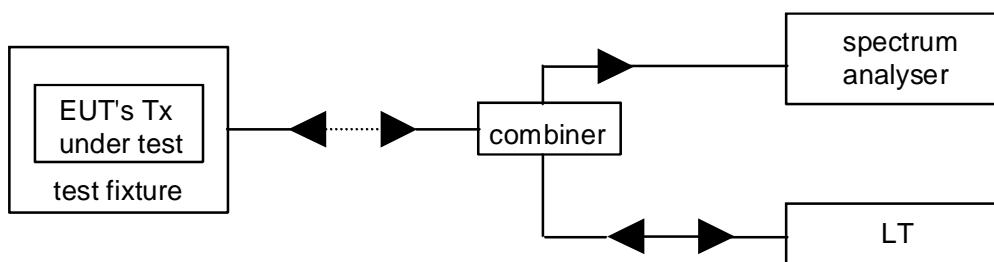
- e) the coupling loss shall be independent of the position of the test fixture and be unaffected by the proximity of surrounding objects or people. The coupling loss shall be reproducible when the equipment under test is removed and replaced;
- f) the coupling loss shall remain substantially constant when the environmental conditions are varied.

The characteristics and calibration shall be included in the test report.

### 5.1.5.2 Calibration of the test fixture for the measurement of transmitter characteristics

The calibration of the test fixture establishes a relationship between the output of the test fixture and the output of the equipment inside the test fixture. See figure 12 for measuring arrangement for calibration.

The calibration is valid only at a given frequency or range of frequencies and for a given polarization of the reference field.



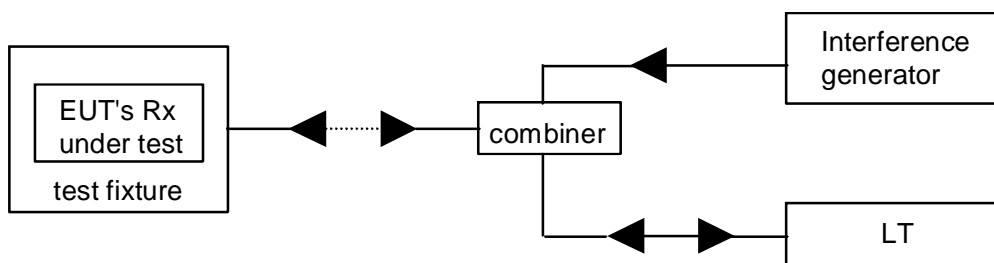
**Figure 12: Measuring arrangement for calibration**

- a) Using the appropriate method described in clauses 5.3.5.2 and 5.3.5.3 (transmitted power) measure the NTP and note the value of this power and the polarization used.
- b) The transmitter shall be placed in the test fixture which is connected to the spectrum analyser. The measured level in dBm shall be noted.
- c) The calibration for the test fixture is the linear relationship between the measured power in dBm according to clause 5.3.5 transmitted power and the measured power in dBm in this calibration setup.

### 5.1.5.3 Calibration of the test fixture for the measurement of receiver characteristics

The calibration of the test fixture establishes a relationship between the level of the signal connected to the test fixture and the field strength applied to the equipment inside the test fixture. See figure 13 for measuring arrangement for calibration.

The calibration is valid only at a given frequency and for a given polarization of the reference field.



**Figure 13: Measuring arrangement for calibration**

- a) Measure the sensitivity expressed as field strength for a Bit Error Ratio (BER) of 0,001 or less and note the value of this field strength in dB $\mu$ V/m and the polarization used.
- b) The receiver shall be placed in the test fixture which is connected to the LT (with BER measuring test facilities). The level of the signal connected to the test fixture producing the same BER measured according to the method used in step a) shall be noted.

- c) The calibration of the test fixture is thus the linear relationship between field strength in dB $\mu$ V/m and the signal generator level in dB $\mu$ V emf.

#### 5.1.5.4 Mode of use

A test fixture may be used for tests under extreme temperatures and for transmitter and receiver measurements that can be carried out with an uncalibrated test fixture.

If the calibrated test fixture is used as an alternative for the test site then its use, the characteristics and the calibration shall be recorded in the test report.

#### 5.1.6 Equipment with a temporary or internal permanent antenna connector

##### 5.1.6.1 General

The means to access and/or implement the internal permanent or temporary antenna connector shall be stated by the applicant with the aid of a figure.

The fact that use has been made of the internal antenna connection to facilitate measurements shall be recorded in the test report.

All references in the present document to antenna connector, external antenna connector and temporary connectors shall be understood to be identical and to mean an external antenna connector and/or temporary and/or internal permanent connector.

##### 5.1.6.2 Equipment with a temporary antenna connector

The applicant, or an authorized representative, may submit one set of equipment with the normal antenna connected, to enable the radiated measurements to be made.

The applicant, or an authorized representative, shall attend the test laboratory at conclusion of the radiated measurements, to disconnect the antenna and fit the temporary connector.

The test laboratory staff shall not connect or disconnect any temporary antenna connector.

Alternatively the applicant, or an authorized representative, may submit two sets of equipment to the test laboratory, one fitted with a temporary antenna connector with the antenna disconnected and the other with the antenna connected.

Each equipment shall be used for the appropriate tests.

#### 5.1.7 Lower Tester (LT)

##### 5.1.7.1 Description

The Lower Tester is a logical grouping that contains a DECT PT, DECT FT, the measurement equipment and the controller of the DECT testing system. The LT has the job of sending testing commands, performing calculations (e.g. signal processing) and interacting with the EUT for the various tests. The LT may implement the Test Support Profile (TSP) described in annex C in order to support the test messages and procedures in a fully standardized manner. This unit is also involved with DECT RF carrier generation, reception, and demodulation. In addition, the LT has wideband RF requirements for emissions and interference testing. See figure 14 for functional contents of the LT.

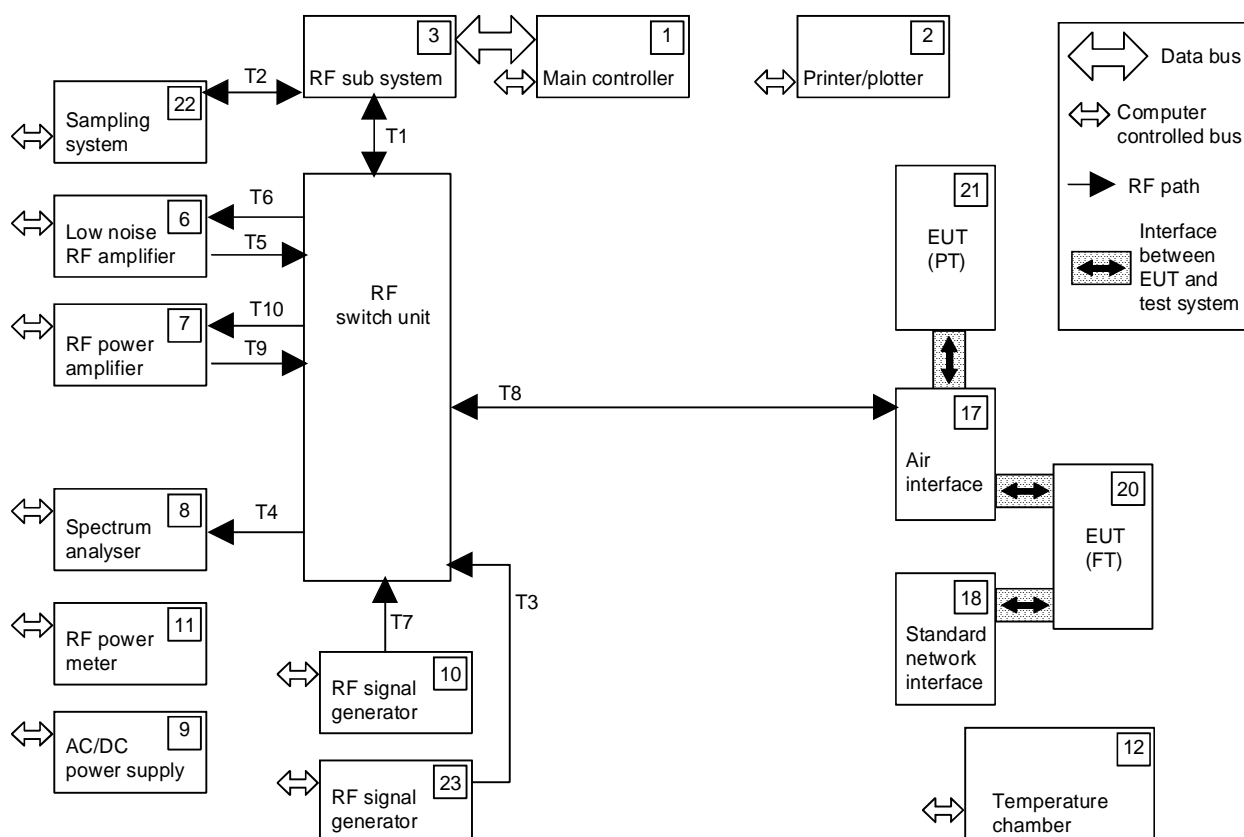


Figure 14: Functional contents of the LT

#### 5.1.7.2 Connections between the EUT and the LT

This is specified in each test case.

#### 5.1.7.3 Functions and abilities

The LT shall include all the functions necessary to perform the tests described in the present document.

These include the ability to:

- generate one actual DECT RF signal;
- generate one Modulated DECT-like carrier;
- generate Continuous Wave (CW) interferer(s);
- sample and store an accurate representation of the EUT's RF signal;
- transmit a variety of test data sequences in the B-field;
- transmit on more than one slot per frame;
- make measurements as described in the present document according to the uncertainties described in clause 5.2;
- emulate a DECT FT, with the possibility to programme all DECT identity codes;
- emulate a DECT PT, with the possibility to programme all DECT identity codes.

#### 5.1.7.4 Signal generation uncertainty

Carrier frequency:  $\pm 5$  kHz.

### 5.1.7.5 Modulated DECT-like carrier

This is a RF carrier using Gaussian shaped frequency-shift keying ( $BT = 0,5$ ) modulated with a 1,152 kbit/s pseudo-random sequence with minimum length  $2^9-1$ . If the signal is bursted, it is required that the burst is synchronized to the DECT test signal generated by the LT.

### 5.1.7.6 CW interferers

The uncertainty shall be determined by the overall BER measurement uncertainty of a test case. This is specified in clause 5.2.

### 5.1.7.7 DECT RF signal

The carrier is defined using the method of clause 4.5.2.3 and it shall meet the requirements needed to fulfil measurement uncertainties of clause 5.2.

During ramp-up the transmitted RF signal shall be the nominal carrier frequency without modulation. The transmitted signal shall comply with the requirements for the transmission burst as given in clause 4.5.4. The NTP - 1 dB shall not be available more than 2  $\mu$ s before start of the first transmitted bit. The transmitter attack time as defined in clause 4.5.4.1.4 shall be less than 5  $\mu$ s.

The NTP-1 dB of test equipment that cannot provide an unmodulated carrier shall be available within 1 bit period before start of the first bit transmitted. Moreover the transmitter attack time as defined in clause 4.5.4.1.4 needs to be less than a 2 bit period.

### 5.1.7.8 Test modulation signals

The test modulating signal is a baseband signal which modulates a carrier and is dependent upon the type of equipment under test and also the measurement to be performed.

Signals for data (bit stream):

- D-M2:** A signal representing a pseudo-random bit sequence of at least 511 bits in accordance with Recommendation ITU-T O.153 [7]. This sequence shall be continuously repeated. This signal shall be used as a wanted signal.

## 5.1.8 Upper Tester (UT)

### 5.1.8.1 Description of the UT

The UT is part of, but not necessarily restricted to, the EUT. For the purpose of testing, an EUT capable of transmitting shall recognize a mandatory set of test commands sent by the LT. The ability to recognize and implement these commands is contained in the UT which is resident in the medium access control layer as described in ETSI EN 300 175-3 [2], clause 12, and as refined by clause 4.5.10. All DECT equipment shall be capable of recognizing these commands. An EUT which is declared as implementing the TSP shall implement the provisions of the TSP described in annex C. The implementation of the TSP is not mandatory.

### 5.1.8.2 The test standby mode

Accessibility to these messages is controlled by some means of mechanical interlocking method or manual switching (e.g. dip-switch, jumper, prom, or key-pad code as designated by the applicant) to prevent accidental execution of these messages in a DECT user environment.

When the EUT has been switched into a mode whereby the test messages are accessible, the EUT is said to be in the test standby mode.

### 5.1.8.3 Test messages

The MAC layer test messages provide the following functions:

- a) instruct the EUT to transmit on a LT-specified physical channel. The test message also determines whether the handover function of the EUT (if so equipped) is disabled and if previous bearers are to be maintained (see ETSI EN 300 175-3 [2], clauses 7.2.5.4.2 and 12.3);
- b) instruct the EUT to perform the loopback function in which a test data pattern transmitted by the LT is replicated in the reply transmission of the EUT. The test data pattern is a bit sequence located in the D-fields of the LT and EUT. The bits of the D-field that are affected by the loopback function depend on the equipment type and are defined in table 11; equipment capable of transmitting more than one slot type shall use the longest slot type for this test message (see ETSI EN 300 175-3 [2], clauses 7.2.5.4.3 and 12.4);

**Table 11: Loopback**

Equipment type	Loopback Bits
Transmits only A-field	$a_{16}$ to $a_{47}$
Transmits half-slots	$b_0$ to $b_{79}$
Transmits full-slots	$b_0$ to $b_{319}$
Transmits long-slots (variable length slot with $j=640$ )	$b_0$ to $b_{639}$
Transmits double-slots	$b_0$ to $b_{799}$

- c) defeat antenna diversity and select the specified antenna for operation in those EUTs possessing antenna diversity (see ETSI EN 300 175-3 [2], clauses 7.2.5.4.4 and 12.5);
- d) initiate the bearer handover procedure resident in an EUT that is declared by the applicant as possessing bearer handover capability (see ETSI EN 300 175-3 [2], clauses 7.2.5.4.5 and 12.6);
- e) permit inclusion of proprietary test messages by means of the "escape" code (see ETSI EN 300 175-3 [2], clauses 7.2.5.4.6 and 12.8);
- f) pass test messages (when applicable) to the network layer of the EUT (see ETSI EN 300 175-3 [2], clauses 7.2.5.4.7 and 12.7);
- g) provide for a means to reset the test state of the EUT by means of the "clear test modes" message (see ETSI EN 300 175-3 [2], clauses 7.2.5.4.8 and 12.9).

### 5.1.8.4 Dummy setting when EUT is a RFP and it is in Test Standby Mode (TSM)

If the EUT is a RFP, the dummy bearer shall either be switched off when the traffic bearer is active in Test Standby Mode (TSM), or it is placed on the same RF carrier as the traffic bearer. If necessary, the Applicant shall supply a method to do this.

Such a method may be controlled either by some means of manual switching (e.g. dip-switch, jumper, prom, or key-pad code as designated by the applicant), or by means of a proprietary "escape" code test message.

## 5.1.9 Description of the Lower Tester FT and PT

The Lower Tester FT and PT are systems consisting of the RF equipment, controller(s), software, and other related components necessary to be capable of implementing all the functions defined in DECT specification.

## 5.1.10 General test methods

### 5.1.10.1 General

It is recognized that for some parameters alternative test methods may exist. It is the responsibility of the test laboratory to ensure that any alternative test method used yields results identical to those described in the present document.



## 5.1.10.2 Sampling the RF signal

### 5.1.10.2.1 Introduction

A number of tests in the present document require the RF signal to be sampled and demodulated. The following text describes the sampling method that should be performed in the LT.

### 5.1.10.2.2 Sampling method

The equipment under test shall be connected to the LT. This connection shall be direct for an EUT having an antenna connector or via an antenna coupling device for an EUT with an integral antenna and not having means of connecting an external antenna, unless otherwise specified in the present document.

Handover (if available) shall be disabled in the EUT while the sampling takes place (see clause 5.1.8.3 for the appropriate test message reference).

Antenna diversity (if available) shall be disabled in the EUT while the sampling takes place (see clause 5.1.8.3 for the appropriate test message reference).

Using a sampling measurement method, capture a representation of the EUT's transmitted RF signal. The position in a physical packet shall be calculated using the samples from the physical packet, knowing the received bit pattern. These calculated bit positions shall be used as the time reference when making measurements of RF frequency, phase and power.

NOTE: When reference is made to  $p_0$  in the present document, for example, it is intended that its position is calculated using many samples of a physical packet. The frequency, power or phase at this theoretical position of  $p_0$  can then be measured.

## 5.1.10.3 Determining the reference position

### 5.1.10.3.0 General

During many tests the EUT is required to be oriented specifically in relation to the test antenna connected to the LT.

This position is called the reference position and is defined in the following clauses.

### 5.1.10.3.1 Case 1: EUTs that cannot transmit

If the EUT has only an integral antenna then the applicant shall inform the test laboratory of the orientation of the integral antenna.

### 5.1.10.3.2 Case 2: EUTs that can transmit

The EUT shall be placed in a mode whereby it is transmitting.

NOTE: For most tests the EUT will have already been placed in a transmission mode.

The EUT shall be rotated in both horizontal and vertical planes in order to locate the direction of maximum field strength that is detected by the test antenna. This orientation shall be called the reference position.

## 5.1.10.4 Bit error rate (BER) and Frame Error Ratio (FER) measurements

BER measurements are carried out by comparing data in the loop back field transmitted by the LT with data in the loop back field received from the EUT (which is in loop back mode).

If the EUT does not recognize the sync word of the frame transmitted by the LT and therefore is unable to loop back any data, this frame shall be disregarded from the BER measurement.

Refer to annexes D and E for further information and for the definition of FER.

## 5.1.11 Test setup

### 5.1.11.1 General

Test setups have been defined according to ISO/IEC 9646-1 [i.11]. The test cases listed in table 4 have an associated test setup.

The numbers inside figures 19 to 22 refer to functional blocks inside the LT. These are shown in figure 14.

### 5.1.11.2 Test setup 1

For the test setup depicted in figure 15, the following test cases apply:

Test Case: 1, 2, 3, 4, 5, 6, 7, 8, 13, and 14.

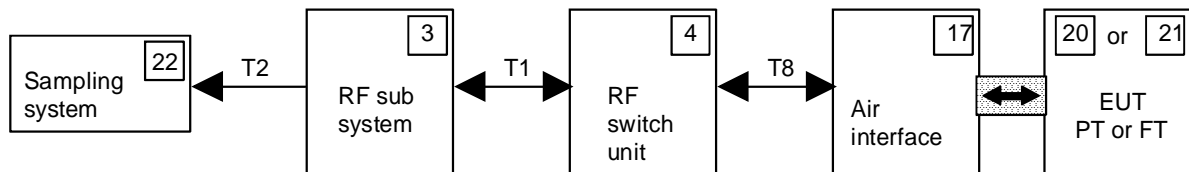


Figure 15: Test setup 1

### 5.1.11.3 Test setup 2

For the test setup depicted in figure 16, the following test cases apply:

Test Case: 15 and 17.

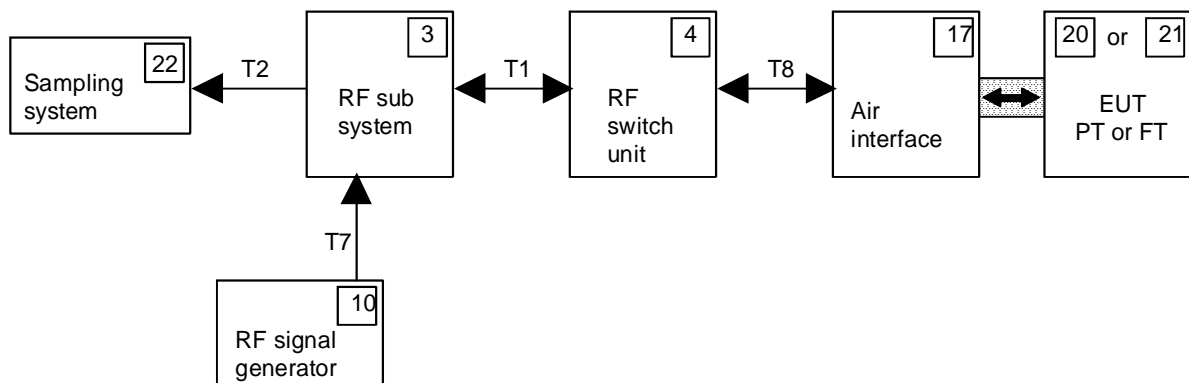


Figure 16: Test setup 2

### 5.1.11.4 Test setup 3

For the test setup depicted in figure 17, the following test case applies:

Test Case: 18.

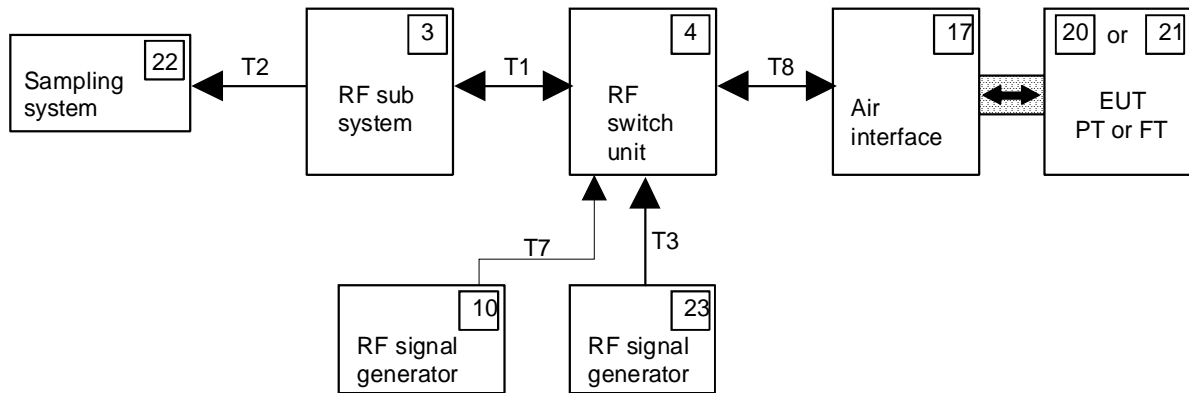


Figure 17: Test setup 3

### 5.1.11.5 Test setup 4

For the test setup depicted in figure 18, the following test cases apply:

Test Case: 9, 10, 11, 12, and 19.

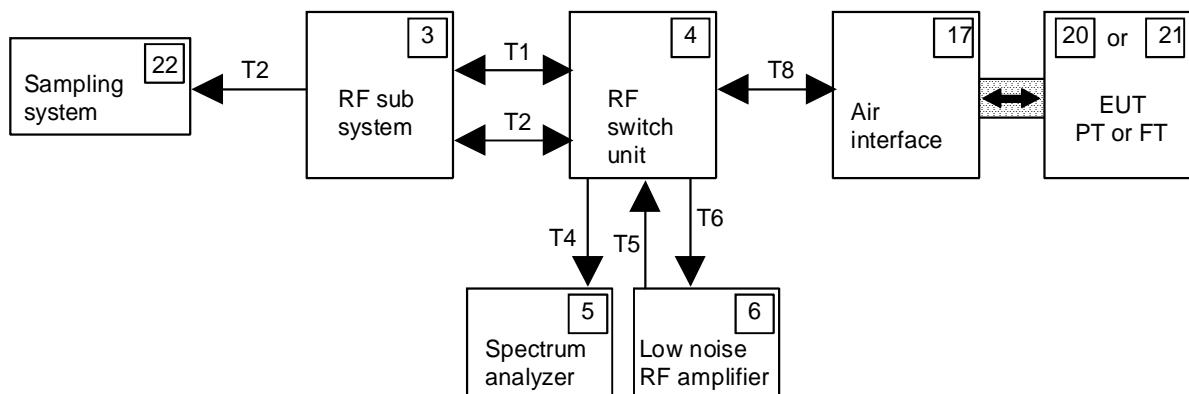


Figure 18: Test setup 4

### 5.1.11.6 Test setup 5

For the test setup depicted in figure 19, the following test case applies:

Test Case: 18.

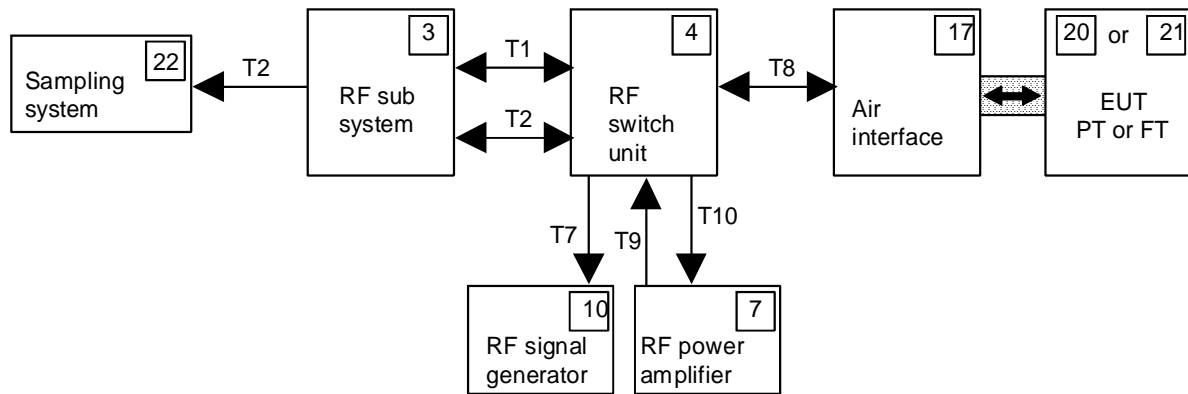


Figure 19: Test setup 5

## 5.1.12 Test arrangements for intermodulation measurements

### 5.1.12.1 PT to PT arrangement

In the PT to PT situation, the minimum distance for non-interference operation is specified as being 0,5 m. Figure 20 shows the testing arrangement.

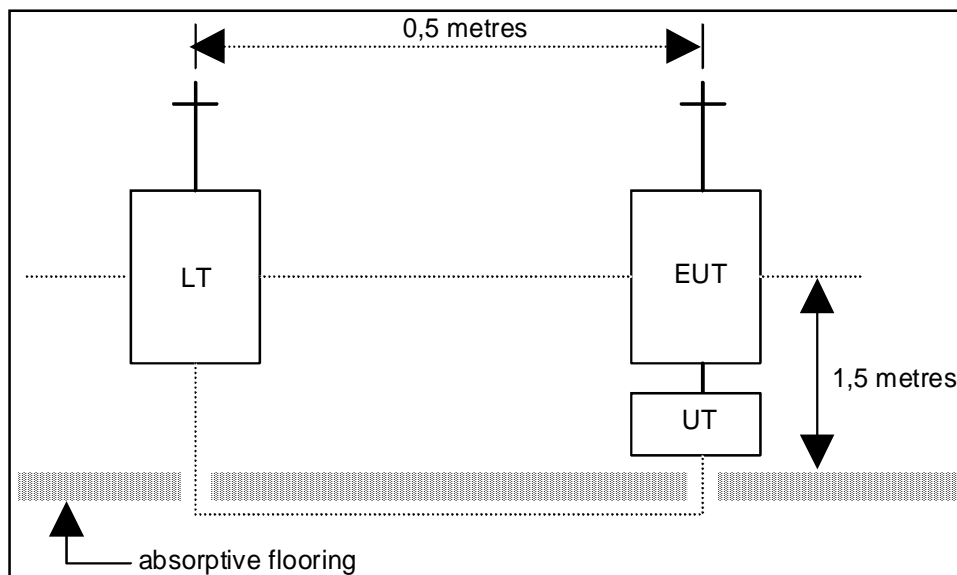
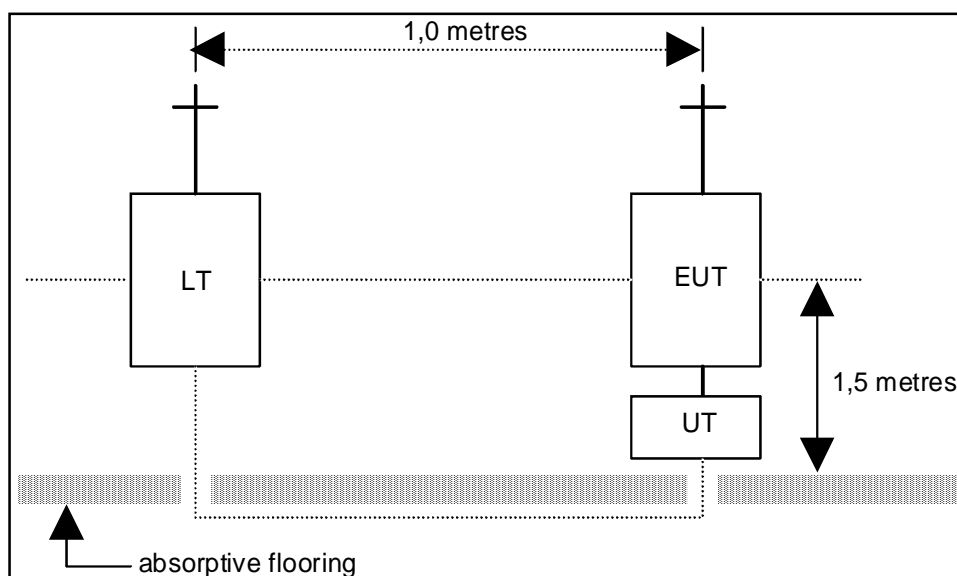


Figure 20: Testing arrangement

The elevation of the antennas is the same. Absorptive flooring is used to minimize reflection effects. The link between the UT and the EUT indicates the control of the EUT via the DECT air interface.

### 5.1.12.2 FT to FT arrangement

In the FT to FT situation, the minimum distance for non-interference operation is specified as being 1 m. Figure 21 shows the testing arrangement.

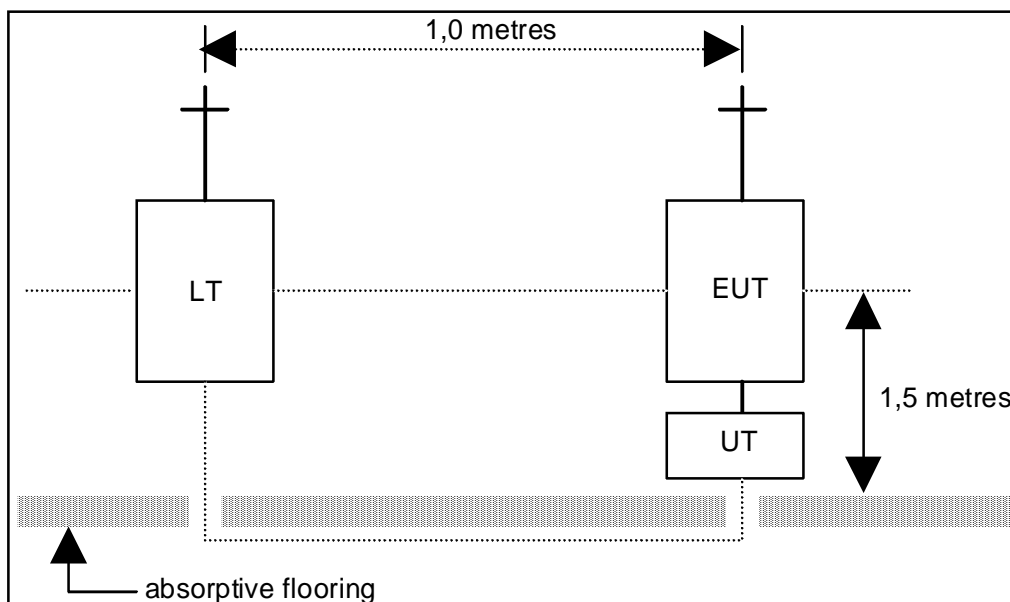


**Figure 21: Testing arrangement**

The elevation of the antennas is the same. Absorptive flooring is used to minimize reflection effects. The link between the UT and the EUT indicates the control of the EUT via the DECT air interface.

### 5.1.12.3 FT to PT arrangement

In the FT to PT situation, the minimum distance for non-interference operation is specified as being 1 m. Figure 22 shows the testing arrangement.



**Figure 22: Testing arrangement**

The elevation of the antennas is the same. Absorptive flooring is used to minimize reflection effects. The link between the UT and the EUT indicates the control of the EUT via the DECT air interface.

## 5.1.13 Test conditions, power supply and ambient temperatures

### 5.1.13.1 General

The following conditions shall apply during all tests:

- atmospheric pressure: 86 kPa to 106 kPa;
- Relative Humidity (RH): 5 % to 75 % non-condensing.

The temperature conditions and voltage supply applied in each test are specified as either nominal or extreme. The definitions of nominal and extreme are contained in clauses 5.1.13.2 and 5.1.13.3. Each test case defines whether nominal or extreme conditions apply. In some test cases only extreme temperature conditions apply and this is stated in the appropriate test case.

Before measurements are made, the equipment shall have reached thermal equilibrium in the test chamber. The equipment shall be switched off during the temperature stabilizing period. If the thermal equilibrium is not checked by measurements, a temperature stabilizing period of at least one hour, or such period as may be decided by the test laboratory, shall be allowed.

Before the start of a test, but after reaching thermal equilibrium in the test chamber, the equipment shall be powered up. For RFPs, the time between power-up and the start of testing shall be greater than 15 minutes. For PPs, testing may commence any time after 1 minute after power-up.

The sequence of measurements shall be chosen, and the humidity content in the test chamber shall be controlled, so that condensation does not occur.

It is not necessary to control the atmospheric pressure during testing.

When it is impractical to carry out the tests under these conditions, a statement giving the actual temperature and relative humidity during the tests shall be recorded in the test report.

### 5.1.13.2 Nominal test conditions

These are identical for all types and classes of equipment. This is clarified by figures 23, 24 and 25.

**PP:**

	VOLTAGE		
	MIN	NOM	MAX
0°			
+15° to +35°			
+40°			

**Figure 23: Nominal test condition for PPs**

**FP, RFP, CCFP for Class E1 use:**

	VOLTAGE		
	MIN	NOM	MAX
+10°			
+15° to +35°			
+40°			

**Figure 24: Nominal test condition for Class E1**

FP, RFP, CCFP for Class E2 use:

	VOLTAGE		
	MIN	NOM	MAX
-10°			
+15° to +35°		■	
+55°			

Figure 25: Nominal test condition for Class E2

For nominal temperature, each measurement is made at the temperature of the test site, which shall be within +15 °C to +35 °C.

### 5.1.13.3 Extreme test conditions

The extreme test conditions are determined by the type of equipment under test. Figures 26, 27 and 28 class the EUT as either PP, FP, RFP or CCFP (see clause 3.3 for definitions).

In addition, FPs, RFPs and CCFPs shall be classed as either for Class E1 use or Class E2 use. Class E1 use refers to indoor areas allowing for personal comfort, for example, homes, offices, laboratories or workshops. Class E2 use refers to all other areas.

For the extreme temperature ranges of -10 °C, 0 °C, +10 °C and +40 °C, measurements shall be made at the specified temperature with a tolerance of ±1 °C.

The definitions of minimum, nominal and maximum applied voltage are contained in clauses 5.1.13.5 and 5.1.13.6.

**PP:**

	VOLTAGE		
	MIN	NOM	MAX
0°	■		■
+15° to +35°		■	
+40°	■		■

Figure 26: Extreme test condition for PPs

FP, RFP, CCFP for Class E1 use:

	VOLTAGE		
	MIN	NOM	MAX
+10°	■		■
+15° to +35°		■	
+40°	■		■

Figure 27: Extreme test condition for Class E1

FP, RFP, CCFP for Class E2 use:

	VOLTAGE		
	MIN	NOM	MAX
-10°	■		■
+15° to +35°		■	
+55°	■		■

Figure 28: Extreme test condition for Class E2

#### 5.1.13.4 Test power source - general requirements

During the execution of the test suites, the power source of the equipment shall be replaced by a test power source, capable of producing normal and extreme test voltages as specified in clauses 5.1.13.5 and 5.1.13.6. The internal impedance of the test power source shall be low enough for its effect on the test results to be negligible. For the test purposes, the voltage of the power source shall be measured at the input terminals of the equipment.

If the equipment is provided with a permanently connected power cable, the test voltage shall be measured at the point of connection of the power cable to the equipment.

In equipment with incorporated batteries, the test power source shall be applied as close to the battery terminals as is practical. In each case connections shall be made readily available by the applicant.

During tests, the power source voltages shall be maintained within a tolerance of  $\pm 3$  % relative to the voltage at the beginning of each test.

#### 5.1.13.5 Nominal test power source

##### 5.1.13.5.1 Mains voltage

The normal test voltage for equipment to be connected to the mains shall be the nominal mains voltage. For the purpose of the present document, the nominal voltage shall be the voltage or voltages for which the equipment was designed as declared by the applicant. The frequency of the test power source corresponding to the ac mains shall be between 49 Hz and 51 Hz.

##### 5.1.13.5.2 Regulated lead acid battery power sources

When the radio equipment is intended for operation from a lead-acid chemistry battery source, the source voltage used during testing shall be 1,1 times the nominal voltage of the battery (i.e.  $1,1 \times \text{number of cells} \times 2 \text{ V/cell}$ ).

##### 5.1.13.5.3 Nickel cadmium battery

When the equipment is intended for operation from a nickel-cadmium chemistry battery source, the source voltage used during testing shall be the nominal voltage of the battery (1,2 V/cell).

##### 5.1.13.5.4 Other power sources

For operation from other power sources or types of battery, either primary or secondary, the normal test source voltage shall be that declared by the applicant.

#### 5.1.13.6 Extreme test power source

##### 5.1.13.6.1 Mains voltage

The extreme test source voltages for equipment to be connected to an ac mains source shall be the nominal mains voltage  $\pm 10$  %. The frequency of the test power source shall be between 49 Hz and 51 Hz.

##### 5.1.13.6.2 Regulated lead acid battery power sources

When the equipment is intended for operation from the usual type of regulated lead acid battery source, the extreme test voltages shall be 1,3 and 0,9 times the nominal voltage of the battery.

##### 5.1.13.6.3 Nickel cadmium battery

When the equipment is intended for operation from the usual type of nickel cadmium battery, the extreme test voltages shall be 1,25 and 0,9 times the nominal voltage of the battery.



#### 5.1.13.6.4 Other power sources

The lower extreme test voltage for equipment with power sources using primary batteries shall be as follows:

- a) for Leclanché type of battery: 0,85 times the nominal voltage;
- b) for other types of primary battery: the end point voltage declared by the applicant.

The upper extreme test voltage shall be the nominal voltage of the battery.

For equipment using other power sources, or capable of being operated from a variety of power sources, or designed for operation within extreme voltage limits not in accordance with those quoted above the extreme test voltages shall be those agreed between the applicant and the test laboratory and shall be recorded with the test results.

#### 5.1.13.7 Testing of host connected equipment and plug-in cards

##### 5.1.13.7.1 Approaches

For equipment for which connection to or integration with host equipment is required to offer functionality, two alternative approaches are defined. The applicant shall declare which alternative shall be used.

##### 5.1.13.7.2 Alternative A: composite equipment

A combination of a DECT radio equipment part and a specific type of host equipment may be used for testing according to the present document.

Where more than one such a combination is intended, each combination shall be tested separately.

In case a specific combination of host and DECT radio equipment part is tested as a composite system, it is expected that testing shall not be repeated for those other combinations of hosts and DECT radio equipment parts which are based on substantially similar host models on the condition that the variations in mechanical and electrical properties between such host models are unlikely to have any significantly different influence on the radio characteristics of the DECT radio equipment part and providing that the radio module cannot be used without electrical, mechanical or software modifications in variations of hosts different from those represented by the units used for the type examination.

##### 5.1.13.7.3 Alternative B: use of a test jig and three hosts

Where the DECT radio equipment part is intended for use with a variety of host systems, the applicant shall supply a suitable test jig. The test jig shall be designed such that alteration of the DECT radio equipment's intrinsic emissions is minimized. Where connection between the DECT radio equipment part and the host is by means of cables, optical fibres or similar means between control and/or power ports, the connection to the host shall be considered a suitable test jig.

The test jig shall allow the DECT radio equipment part to be powered and stimulated in a way similar to the way it would be powered and stimulated when connected to or inserted into host equipment.

In addition to tests on the test jig, the DECT radio equipment part shall be tested according to clauses 5.3.5.1, 5.3.7.2, 5.3.7.5.1 and 5.3.8.7 if the equipment is provided with an integral antenna, or clauses 5.3.5.2, 5.3.7.2, 5.3.7.5.2 and 5.3.8.7 if the equipment is provided with an antenna connector; when connected to or inserted into three different hosts. These hosts shall be provided by the applicant and shall be selected from the list of compatible hosts as published by the applicant as part of the user documentation supplied with the radio equipment part. The selection of hosts shall be agreed to by the applicable authority.

For those tests required by the previous clause, with the DECT radio equipment part to be connected to or inserted in host equipment, the combination shall be tested against the requirements except for cabinet radiation from the enclosure which only in these specific tests shall be measured according to the requirements that apply to the host equipment.

## 5.2 Interpretation of the measurement results

The interpretation of the results recorded in a test report for the measurements described in the present document shall be as follows:

- the measured value related to the corresponding limit will be used to decide whether an equipment meets the requirements of the present document. Allowance for uncertainty of the measurement shall only be given if this is permitted by the corresponding clause on verdict criteria;
- the actual value of the measurement uncertainty for the measurement of each parameter shall be included in the test report;
- the recorded value of the actual measurement uncertainty shall be, for each measurement, equal to or lower than the figures in table 12.

For the test methods, according to the present document, the measurement uncertainty figures shall be calculated in accordance with ETSI TR 100 028 [i.10] and shall correspond to an expansion factor (coverage factor)  $k = 1,96$  or  $k = 2$  (which provide confidence levels of respectively 95 % and 95,45 % in the case where the distributions characterizing the actual measurement uncertainties are normal (Gaussian)).

Table 12 is based on such expansion factors.

**Table 12: Maximum measurement uncertainty**

Parameter	Uncertainty
Relative drift radio frequency	±2 kHz
Absolute radio frequency	±10 kHz
Conducted emissions	±1 dB
Radiated emissions	±3 dB
Absolute RF power (via an antenna connector)	±1 dB
Absolute RF power (for unwanted emissions in the DECT band)	±4 dB
Absolute RF power (for unwanted emissions outside the DECT band)	conducted: ±4 dB radiated: ±6 dB
Relative RF power	±1 dB
Absolute RF power (radiated)	±3 dB
Relative Packet timing	±0,1 µs
Absolute Packet timing	±1 µs
Timing stability of FT	1 ppm
Transmitter burst transient time	±20 % (of the measured value)
Peak frequency deviation	±10 kHz

## 5.3 Radio test suites

### 5.3.1 General

An EUT will operate on a specific subset of all potential carriers (see clause 4.5.2.1). This subset constitutes a frequency band with a lower band edge  $F_L$  MHz and an upper band edge  $F_U$  MHz.

### 5.3.2 Accuracy and stability of RF carriers

#### 5.3.2.1 Test environment

The test shall take place at a test site or in a test fixture.

If the EUT has an antenna connector then it shall be used to connect the EUT to the LT.

The test shall take place under extreme test conditions.

### 5.3.2.2 Method of measurement

- a) The LT shall place the EUT in a mode whereby the EUT is positioned in a LT specified slot and an RF channel inside the band. If so equipped, the handover function in the EUT shall be disabled (see clause 5.1.8.3 for the appropriate test message reference).
- b) The EUT shall be placed in a test mode whereby it performs the loopback function as referenced in clause 5.1.10.3.
- c) The LT shall transmit a packet with a test sequence in the loopback field of the packet. This test sequence shall be such that the sequence 0000 1111 0000 1111 is transmitted at the antenna of the EUT in the loopback field of the reply packet.
- d) Using the sampling method described in clause 5.1.10.2.2, capture a representation of the EUT's transmitted RF signal after allowing the EUT to be in an active-locked state (see ETSI EN 300 175-3 [2], clause 4.3.1) for more than 1 s.
- e) The EUT's carrier frequency for d) shall be assumed to be the average of the measured absolute frequencies of the loopback bits.
- f) Steps c) to e) shall be repeated until the appropriate number of measurements as shown in table 13 have been made.

**Table 13: Measurement repetition**

Equipment type	Number of measurements
A-field only transmit	100
Half-slot transmit	40
Full-slot transmit	10
Variable length slot with $j=640$ transmit	5
Double-slot transmit	5

The centre frequency of the EUT is taken to be the mean value of the measurements.

- g) Steps c) to f) shall be repeated for all combinations of temperatures and power supply voltages allowed under extreme test conditions.
- h) Steps c) to g) shall be repeated for the RF channel closest to  $F_U$  and the RF channel closest to  $F_L$ .
- i) When the EUT is a PP, then c) to h) shall be repeated, with the addition that the RF signal is sampled (in d)) during the first 1 s of the EUT going into a transmit mode from a non-transmitting mode. If necessary a) and b) may be repeated as required in order to make the number of measurements specified in f).

### 5.3.2.3 Verdict criteria when the EUT is a RFP

The carrier frequencies as measured shall be within  $\pm 50$  kHz of the appropriate nominal DECT carrier frequency  $F_C$ .

The results obtained shall be compared to the limits in clause 4.5.2.2 in order to prove compliance with the requirement.

### 5.3.2.4 Verdict criteria when the EUT is a PP

**Case 1: When the measurement is made during the first 1 s of the EUT going into a transmit mode from a non-transmitting mode:**

The carrier frequencies as measured either relative to an absolute frequency reference or relative to the received carrier, shall be within  $\pm 100$  kHz of the nominal DECT carrier frequency  $F_C$ .

The results obtained shall be compared to the limits in clause 4.5.2.2 in order to prove compliance with the requirement.

**Case 2: When the measurement is made at any other time:**

The carrier frequencies as measured either relative to an absolute frequency reference or relative to the received carrier, shall be within  $\pm 50$  kHz of the nominal DECT carrier frequency  $F_C$ .

The results obtained shall be compared to the limits in clause 4.5.2.2 in order to prove compliance with the requirement.

### 5.3.3 Accuracy and stability of timing parameters

#### 5.3.3.1 Measurement of packet timing jitter

##### 5.3.3.1.1 Test environment

The test shall take place at a test site in a test fixture. If the EUT is equipped with a temporary connector, the temporary connector may be used in place of the test fixture for this test.

If the EUT has an antenna connector then it shall be used to connect the EUT to the LT.

The test shall take place under extreme test conditions.

##### 5.3.3.1.2 Method of measurement

- a) The LT shall place the EUT in a mode whereby the EUT is positioned in a LT specified slot and frequency. If so equipped, the handover function in the EUT shall be disabled (see clause 5.1.8.3 for the appropriate test message reference).

The applicant shall declare to the testing laboratory the time required for system synchronization by the EUT.

- b) Using a sampling method, capture a representation of the RF signal transmitted by the EUT on the same slot position in 2 consecutive frames.
- c) The LT shall determine the positions of p0 in the slots that were sampled in step b) above. See figure 29.
- d) Steps b) and c) shall be repeated 1 000 times.
- e) The reference time is the mean of the values measured in c) through d). The deviation of the maximum and minimum values from the mean is the packet timing jitter.

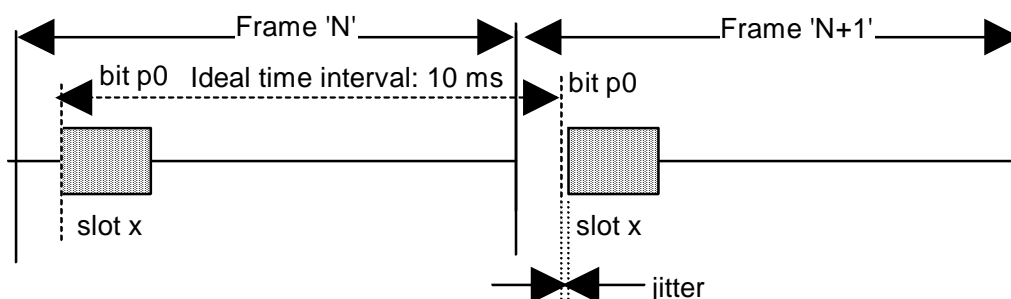


Figure 29: Jitter definition

##### 5.3.3.1.3 Verdict criteria

The packet timing jitter, as measured, shall be less than  $\pm 1 \mu\text{s}$  for the duration of this test.

The results obtained shall be compared to the limits in clause 4.5.3.2 in order to prove compliance with the requirement.

#### 5.3.3.2 Measurement of the reference timing accuracy of a RFP

##### 5.3.3.2.1 Test environment

The test shall take place at a test site or in a test fixture. If the EUT is equipped with a temporary connector, the temporary connector may be used in place of the test fixture for this test.

If the EUT has an antenna connector then it shall be used to connect the EUT to the LT.

The test shall take place under extreme test conditions.

#### 5.3.3.2.2 Method of measurement

- a) A minimum of one duplex bearer shall be setup between the LT and the EUT.
- b) Using a sampling method, measure the time,  $t_{long}$ , between the transmission of 1 000 frames using the same bit in each slot as the point of reference in each frame.

#### 5.3.3.2.3 Verdict criteria

The EUT is required to conform to the timing accuracies and stabilities of table 14 at all the applied voltage conditions.

**Table 14: Reference timing accuracies and stabilities**

Type of EUT	Temperature	
	Nominal	Extreme
Multiple Channel RFP	5 ppm	10 ppm
Single Channel RFP	No test	10 ppm

$t_{long}$ , as measured, shall be within the range of values given in table 15.

**Table 15: Allowable timing variations**

Timing Accuracy and Stability (ppm)	Ranges of $t_{long}$ Constituting a Pass (seconds)
5	$9,99995 < t_{long} < 10,00005$
10	$9,99990 < t_{long} < 10,00010$

RFPs that can work with more than one duplex pair of physical channels per frame are known as multi-channel RFPs. Single channel RFPs can only work with one duplex pair of physical channels per frame (excluding handover situations).

The results obtained shall be compared to the limits in clause 4.5.3.2 in order to prove compliance with the requirement.

### 5.3.3.3 Measurement of packet transmission accuracy of a PP

#### 5.3.3.3.1 Test environment

The test shall take place at a test site or in a test fixture. If the EUT is equipped with a temporary connector, the temporary connector may be used in place of the test fixture for this test.

If the EUT has an antenna connector then it shall be used to connect the EUT to the LT.

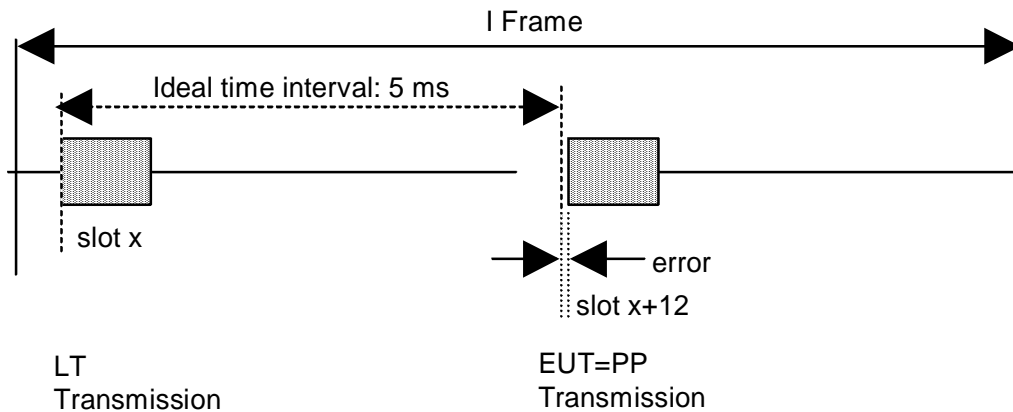
If the EUT has the facilities for advancing the transmission timing from the nominal then this shall be disabled for the duration of this test.

The test shall take place under extreme test conditions.

#### 5.3.3.3.2 Method of measurement

- a) The LT shall place the EUT in a mode whereby the EUT is positioned in a LT specified slot and a channel inside the band. If so equipped, the handover function in the EUT shall be disabled. See clause 5.1.8.3 for the appropriate test message reference. The applicant shall declare to the testing laboratory the time required for a system synchronization by the EUT.
- b) Using a sampling method, capture a representation of the RF signal transmitted by the LT and EUT 12 slots apart in the same frame, see figure 30.

- c) The LT shall determine the positions at the EUT of p0 in the slots that were sampled in part b) above.
- d) The delay shall be calculated as the difference in time between the p0 of the LT and the p0 of the EUT.
- e) Steps b) through to d) shall be repeated 100 times.
- f) Steps b) through to e) shall be repeated for the RF channel closest to  $F_U$  and the RF channel closest to  $F_L$ .
- g) The minimum and maximum delays shall be found over all measurements.



**Figure 30: PP packet transmission error definition**

#### 5.3.3.3.3 Verdict criteria

The packet timing delay minimum, as measured, shall be greater than  $5\text{ ms} - 2\ \mu\text{s}$ , the maximum, as measured, shall be less than  $5\text{ ms} + 2\ \mu\text{s}$ .

The results obtained shall be compared to the limits in clause 4.5.3.2 in order to prove compliance with the requirement.

### 5.3.4 Transmission burst

#### 5.3.4.1 Test environment

If the EUT has an antenna connector then it shall be used to connect the EUT to the LT.

The test shall take place under nominal and extreme temperature conditions at the nominal supply voltage.

This test shall take place either at a test site, in an anechoic chamber, or in a test fixture for the nominal temperature condition. The extreme temperature testing shall take place inside a temperature chamber with the EUT mounted in a test fixture.

#### 5.3.4.2 Method of measurement

- a) The LT shall place the EUT in a mode whereby the EUT is transmitting at a LT specified slot and an RF channel inside the band. If so equipped, the handover function in the EUT shall be disabled (see clause 5.1.8.3 for the appropriate test message reference).
- b) Using a sampling measurement method, capture a representation of the EUT's transmit burst's amplitude and modulation. The measurement bandwidth for RF power shall be 1 MHz for the measurement of transmitter idle power (see clause 4.5.4.1.9) and  $\geq 3\text{ MHz}$  for all other.
- c) From the array of samples the LT shall calculate the position of bit p0 and the end of the physical packet in each sample to an accuracy of  $0,1\ \mu\text{s}$ .
- d) Steps b) and c) are repeated 60 times with intervals of 1 s or longer.
- e) Steps a) to d) shall be repeated for the RF channel closest to  $F_U$  and the RF channel closest to  $F_L$ .

### 5.3.4.3 Verdict criteria

The array of power samples shall be compared for a fit within the power-time template as shown in figure 31 and shall comply with the requirements in clauses 4.5.4.1.4 to 4.5.4.1.9.

The sampled bursts, as measured, shall conform to the power-time template.

NOTE: As described in clause 4.5.4.1.9, the 20 nW power envelope shown in figure 31 is only applicable when the time between the end of a physical packet and the transmission of p0 of the next physical packet is greater than 54  $\mu$ s.

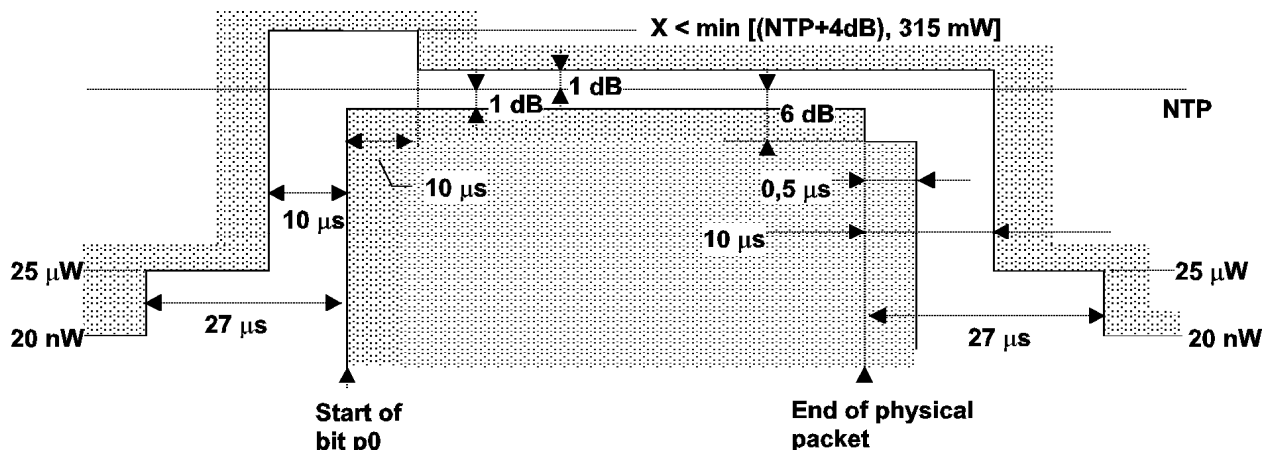


Figure 31: Power-time template

For packets with prolonged preamble, the verdict criteria apply with the notation p0 generally changed to p-16 and the applicant shall declare that the procedure defined in ETSI EN 300 175-2 [1], clause D.3 has been implemented.

The results obtained shall be compared to the limits in clause 4.5.4.2 in order to prove compliance with the requirement.

## 5.3.5 Transmitted power

### 5.3.5.1 PP and RFP with an integral antenna

#### 5.3.5.1.1 Test environment

The test shall take place under nominal temperature conditions and at a nominal supply voltage.

This test shall take place either at a test site or in an anechoic chamber for the nominal temperature condition.

#### 5.3.5.1.2 Method of measurement

##### 5.3.5.1.2.1 Introduction

The test consists of both a conducted and a radiated power measurement. For the conducted power measurement, the EUT shall be equipped with a temporary antenna connector. The radiated measurement is performed on a EUT with its own integral antenna.

##### 5.3.5.1.2.2 Measurement of NTP

The test described in clause 5.3.5.2 shall be performed on the EUT with the temporary connector.

The measured result is the NTP.

### 5.3.5.1.2.3 Measurement of antenna gain

The following measurement is done on the EUT with its own integral antenna:

- a) if the EUT incorporates antenna diversity, then the LT shall command the EUT to operate on a single antenna (see clause 5.1.8.3 for the appropriate test message reference);
- b) the LT shall place the EUT in a mode whereby the EUT is positioned in a LT specified slot and frequency. If so equipped, the handover function in the EUT shall be disabled (see clause 5.1.8.3 for the appropriate test message reference);
- c) a test antenna with a good directivity to limit reflections is connected to a calibrated receiver. The applicant shall indicate the polarization of the integral antenna so that the test antenna can be set to the same polarization as the integral antenna of the EUT throughout this test. The test antenna shall be raised or lowered until a maximum received signal is obtained, except when using a fully anechoic chamber. The EUT shall be orientated in the reference position using the procedure described in clause 5.1.10.3;
- d) at this position, the LT shall:
  - 1) use the sampling method described in clause 5.1.10.2.2 to capture a representation of a physical packet transmitted by the EUT;
  - 2) determine the position of p0 in the physical packet and the end of the physical packet;
  - 3) make a measurement of the received power over the 1 MHz bandwidth centred on the DECT RF channel. This power shall be averaged from the start of bit p0 to the end of the physical packet. This measurement shall be called  $P_R$ ;
- e) the substitution antenna shall replace the EUT's transmitter antenna in the same position and polarization. The frequency of the signal generator shall be adjusted to the EUT's nominal channel frequency on which it was transmitting. The test antenna shall be raised or lowered as necessary to ensure that the maximum signal level is received, except when using a fully anechoic chamber. The input signal level to the substitution antenna shall be adjusted until an equal or a known related level to  $P_R$  is obtained in the test receiver.  
PT is equal to the power supplied by the signal generator, increased by the known related level if necessary and after corrections due to the gain of the substitution antenna and the cable loss between the signal generator and the substitution antenna;
- f) the antenna gain is the ratio (in dB) between the radiated power PT and the NTP;
- g) steps b) to f) shall be performed for the RF channel closest to  $F_U$ , the RF channel closest to  $F_L$  and another RF channel inside the band.

### 5.3.5.1.2.4 Determination of EIRP

The following steps are done:

- a) measurement of NTP as described in clause 5.3.5.1.2.2;
- b) measurement of antenna gain as described in clause 5.3.5.1.2.3;
- c)  $EIRP = NTP + \text{antenna gain}$ .

### 5.3.5.1.3 Verdict criteria for all EUTs

The NTP per simultaneously active transceiver, as measured, shall be less than  $P_{NTP}$  plus the maximum allowable measurement uncertainty for absolute RF power (via an antenna connector) as given in clause 5.2.

The antenna gain as measured shall be less than 12 dB plus the ratio (in dB) between  $P_{NTP}$  (250 mW) and NTP plus the maximum allowable measurement uncertainty for absolute RF power (radiated) as given in clause 5.2.

The results obtained shall be compared to the limits in clause 4.5.5.2 in order to prove compliance with the requirement.



### 5.3.5.2 PP and RFP with external antenna connection(s)

#### 5.3.5.2.1 Test environment

The test shall take place under extreme temperature conditions and at a nominal supply voltage.

This test shall take place either at a test site or in an anechoic chamber for the nominal temperature condition. The extreme temperature testing shall take place inside a temperature chamber.

The EUT shall be connected to the LT via the antenna connector(s).

#### 5.3.5.2.2 Method of measurement

- a) If the EUT incorporates antenna diversity, then the LT shall command the EUT to operate on a single external antenna (see clause 5.1.8.3 for the appropriate test message reference).
- b) The LT shall place the EUT in a mode whereby the EUT is positioned in a LT specified slot and frequency. If so equipped, the handover function in the EUT shall be disabled (see clause 5.1.8.3 for the appropriate test message reference).
- c) A test load shall be connected to each antenna connector.
- d) The LT shall:
  - 1) use the sampling method described in clause 5.1.10.2.2 to capture a representation of a physical packet transmitted by one of the antenna connectors of the EUT into the test load;
  - 2) determine the position of p0 in the physical packet and the end of the physical packet;
  - 3) make a measurement of the power over the 1 MHz bandwidth centred on the DECT RF channel. This power shall be the power delivered to each load simultaneously, averaging from the start of bit p0 of the physical packet, to the end of the physical packet that was sampled in 1).
- e) Steps b) to d) shall be performed for the RF channel closest to  $F_U$ , the RF channel closest to  $F_L$  and another RF channel inside the band.

When there is more than one antenna port, the instantaneous power from each antenna port shall be added together. The sum shall be called the NTP.

#### 5.3.5.2.3 Verdict criteria for all EUTs

The NTP per simultaneously active transceiver, as measured, shall be less than  $P_{NTP}$  plus the maximum allowable measurement uncertainty as given in clause 5.2.

The results obtained shall be compared to the limits in clause 4.5.5.2 in order to prove compliance with the requirement.

## 5.3.6 RF carrier modulation

### 5.3.6.1 Test environment

The test should preferably take place at a test site, otherwise a test fixture or temporary connector shall be used.

If the EUT has an antenna connector then it shall be used to connect the EUT to the LT.

The test shall take place under nominal supply voltage conditions and at a nominal temperature.

## 5.3.6.2 Method of measurement, parts 1 and 2

### 5.3.6.2.1 Introduction

The measurement period of a single positive or negative deviation measurement shall begin one bit time after a 0 to 1 or a 1 to 0 transition in the test data pattern. The measurement period shall end one bit time before the next 0 to 1 or 1 to 0 transition.

### 5.3.6.2.2 Part 1

- a) Repeat parts a) to d) of clause 5.3.2.2.
- b) Using the samples that were obtained from a), the LT shall calculate the peak frequency deviation within each bit period defined in clause 5.3.6.2.1 in the loopback field of the transmit burst of the EUT, relative to the measured carrier frequency that was calculated in clause 5.3.2. The measurement bandwidth shall be  $\geq 3$  MHz.
- c) Steps a) to b) shall be repeated until the appropriate number of measurements as shown in table 16 have been made.

**Table 16: Measurement repetition**

Equipment type	Number of measurements
A-field only transmit	100
Half-slot transmit	40
Full-slot transmit	10
Variable length slot with $j=640$ transmit	5
Double-slot transmit	5

### 5.3.6.2.3 Part 2

- a) Steps a) to d) of clause 5.3.2.2 shall then be repeated using the appropriate sequence as shown in table 17.

**Table 17: Test sequence**

Equipment type	Test pattern
A-field only transmit	Figure 36
Half-slot transmit	Figure 37
Full-slot transmit	Figure 38
Variable length slot with $j=640$ transmit	Figure 38a
Double-slot	Figure 39

- b) Using the samples that were obtained from part (a) above, the LT shall calculate the peak frequency deviation within each bit period defined in clause 5.3.6.2.1 in the loopback field of the transmit burst of the EUT, relative to the measured carrier frequency that was calculated in clause 5.3.2. The measurement bandwidth shall be  $\geq 3$  MHz.
- c) Steps a) to b) shall be repeated until the appropriate number of measurements as shown in table 18 have been made.

**Table 18: Measurement repetition**

Equipment type	Number of measurements
A-field only transmit	100
Half-slot transmit	40
Full-slot transmit	10
Variable length slot with $j=640$ transmit	5
Double-slot transmit	5

### 5.3.6.3 Method of measurement, Parts 3 and 4

#### 5.3.6.3.1 General

The measurement period for the deviation measurement shall begin one bit time after the first 0 to 1 or 1 to 0 transition. The measurement period shall end one bit time before the last 0 to 1 or 1 to 0 transition.

#### 5.3.6.3.2 Part 3

- a) Steps a) to d) of clause 5.3.2.2 shall be repeated with the sequence "0101 0101 0101 0101".
- b) Using the samples that were obtained from part a) above, the LT shall calculate the peak frequency deviation within each bit period in the first 16 bits of the synchronization field (preamble) and the loopback field of the transmit burst of the EUT, relative to the measured carrier frequency that was calculated in clause 5.3.2. The measurement bandwidth shall be  $\geq 3$  MHz.
- c) Steps a) to b) shall be repeated until the appropriate number of measurements as shown in table 19 have been made.

**Table 19: Measurement repetition**

Equipment type	Number of measurements
A-field only transmit	100
Half-slot transmit	40
Full-slot transmit	10
Variable length slot with $j=640$ transmit	5
Double-slot transmit	5

#### 5.3.6.3.3 Part 4

- a) The LT shall place the EUT in a mode whereby the EUT is positioned in a LT specified slot and frequency. If so equipped, the handover function in the EUT shall be disabled (see clause 5.1.8.3 for the appropriate test message reference).
- b) The EUT shall be placed in a test mode whereby it performs the loopback function as referenced in clause 5.1.8.3.
- c) The LT shall transmit a packet with a test sequence in the loopback field of the packet. This test sequence shall be such that the sequence 0101 0101 0101 0101 ... is transmitted at the antenna of the EUT in the loopback field of the reply packet.
- d) Using the sampling method described in clause 5.1.10.2.2 capture a representation of the EUT's transmitted RF signal after allowing the EUT to be in an Active-locked state (see ETSI EN 300 175-3 [2], clause 4.3.1) for more than 1 s. The measurement bandwidth shall be  $\geq 3$  MHz.
- e) Using the samples that were obtained from d) above, the LT shall calculate the average frequency of the last 14 bits of the first 16 bits of the synchronization field.
- f) Using the samples that were obtained from d) above, the LT shall calculate the average frequency of the first 14 bits of the last 16 bits of the loopback field.
- g) Steps c) to f) shall be repeated until 200 measurements have been made. The frequency drift is the difference between the mean of the measurements taken in e) and the mean of the measurements taken in f).

#### 5.3.6.4 Verdict criteria for Part 1

The peak frequency deviation as measured in part 1 shall be greater than  $\pm 259$  kHz and less than  $\pm 403$  kHz.

The results obtained shall be compared to the limits in clause 4.5.6.2 in order to prove compliance with the requirement.

### 5.3.6.5 Verdict criteria for Part 2

The peak frequency deviation as measured in part 2 shall be greater than  $\pm 202$  kHz and less than  $\pm 403$  kHz.

The results obtained shall be compared to the limits in clause 4.5.6.2 in order to prove compliance with the requirement.

### 5.3.6.6 Verdict criteria for Part 3

The peak frequency deviation as measured in part 3 shall be greater than  $\pm 202$  kHz and less than  $\pm 403$  kHz.

The results obtained shall be compared to the limits in clause 4.5.6.2 in order to prove compliance with the requirement.

### 5.3.6.7 Verdict criteria for Part 4

The rate of change as measured in part 4 shall not be greater than 15 kHz per slot plus the maximum measurement uncertainty calculated from the allowable uncertainty in the relative drift radio frequency measurements involved (see clause 5.2). This implies that the drift in slot shall be between -17 kHz per slot and +17 kHz per slot, as measured.

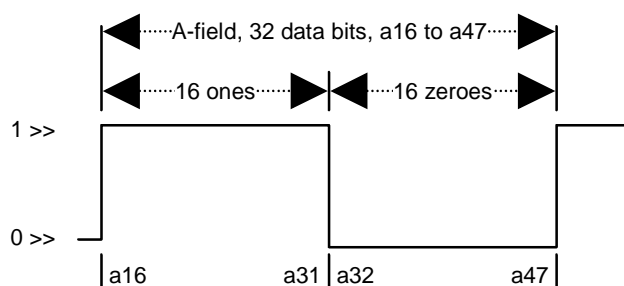
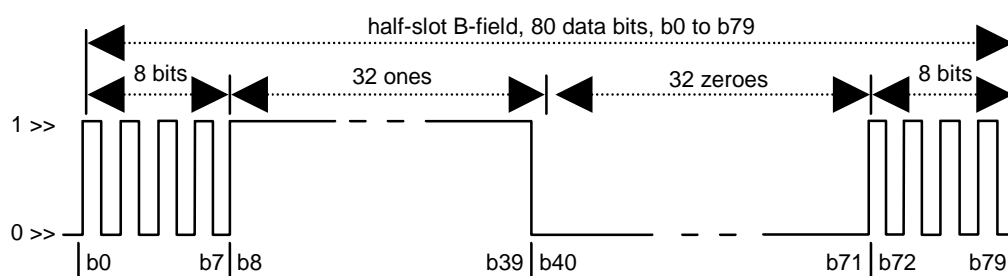
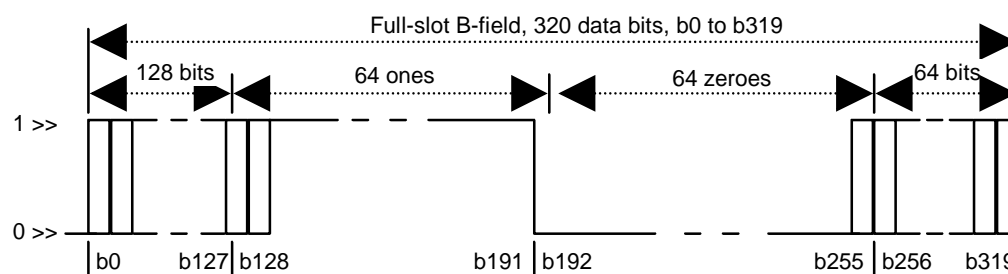


Figure 32: Test packet structure for case 2, A-field



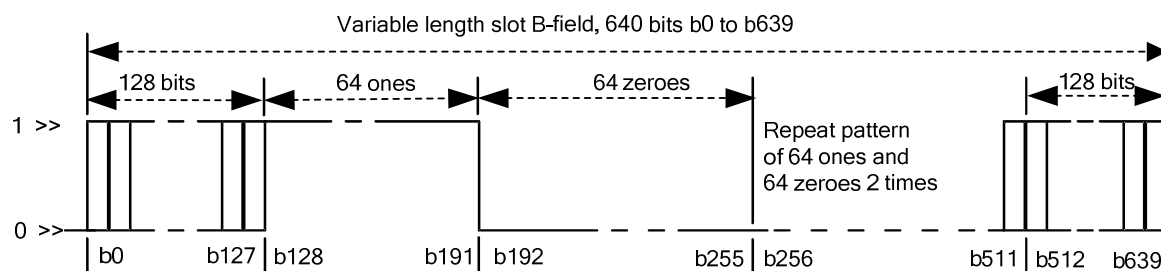
NOTE: Bits  $b_0$  to  $b_7$  and  $b_{72}$  to  $b_{79}$  are alternating 1s and 0s with the even order bits ( $b_0, b_2, b_4, \dots$ ) set to "1" and the odd-order bits ( $b_1, b_3, b_5, \dots$ ) set to "0".

Figure 33: Test packet structure for case 2, half-slot



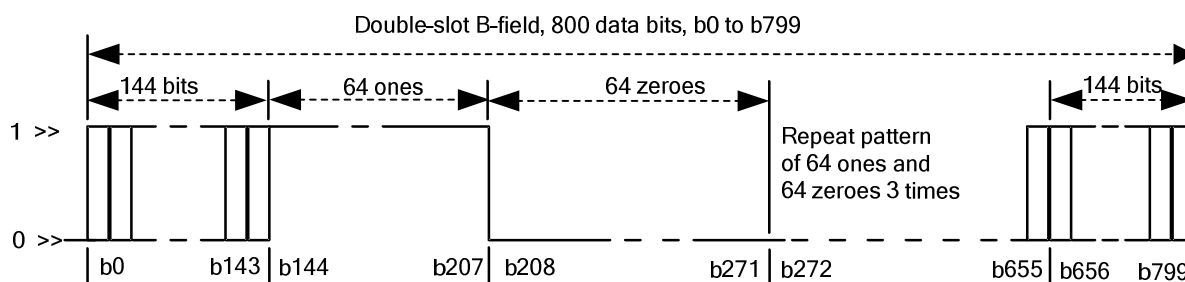
NOTE: Bits  $b_0$  to  $b_{127}$  and  $b_{256}$  to  $b_{319}$  are alternating 1 s and 0 s.

Figure 34: Test packet transmission for case 2, full-slot



NOTE: Bits  $b_0$  to  $b_{127}$  and  $b_{512}$  to  $b_{639}$  are alternating 1s and 0s.

**Figure 35: Test packet transmission for case 2, variable length slot with  $j=640$**



NOTE: Bits  $b_0$  to  $b_{143}$  and  $b_{656}$  to  $b_{799}$  are alternating 1 s and 0 s.

**Figure 36: Test packet transmission for case 2, double-slot**

NOTE: The above fields, (A-field for figure 32, half-slot for figure 33, full-slot for figure 34, variable length slot with  $j = 640$  for figure 35, and double-slot for figure 36) are defined in ETSI EN 300 175-3 [2], clauses 6.2.1.2 and 6.2.1.3. The X-field portions of the half-slot, full-slot, variable length slot and double-slot B-fields depicted in figures 33, 34, 35 and 36 are not shown.

The results obtained shall be compared to the limits in clause 4.5.6.2 in order to prove compliance with the requirement.

## 5.3.7 Unwanted RF power radiation

### 5.3.7.1 General test conditions

If the EUT is equipped with antenna diversity, the EUT shall have the diversity operation defeated for the following tests (see clause 5.1.8.3 for the appropriate test message reference).

### 5.3.7.2 Emissions due to modulation

#### 5.3.7.2.1 Test environment

The test shall take place at a test site or using a test fixture for equipment with integral antenna.

The test shall take place under nominal supply voltage conditions and at a nominal temperature.

### 5.3.7.2.2 Method of measurement

- a) If the EUT has an external antenna connector then this shall be used to connect the EUT to the LT. Otherwise, the transmitted signal shall be applied to the LT via a coupling device which provides the appropriate signal level to the system. The analysing system in the LT shall be operated under the following conditions:
- frequency sweep: 1 MHz;
  - resolution bandwidth: 100 kHz;
  - video bandwidth: greater than resolution bandwidth;
  - integration: across the frequency sweep;
  - peak hold: on;
  - sweep time: greater than 12 s;
  - filtering type: synchronously tuned.

The centre frequencies of the DECT RF channels are defined in clause 4.5.2.1.

The total sample time used for measurement is 60 % to 80 % of the duration of the physical packet, starting before 25 % of the slot time has expired but after the transmission of the synchronization word. The LT shall determine the start of the physical packet (bit p0) transmitted by the EUT.

- b) The LT shall place the EUT in a mode whereby the EUT is positioned in a LT specified slot and frequency. If so equipped, the handover function in the EUT shall be disabled. See clause 5.1.8.3 for the appropriate test message reference.
- c) The EUT shall be placed in a test mode whereby it performs the loopback function as referenced in clause 5.1.8.3.
- d) A test modulation signal D-M2 (see clause 5.1.7.8) is generated by the LT.
- e) Using the analysing system, a measurement of the EUT's transmitted power on channel M is made during the sampling time. This power measurement shall be called  $P_{ref}$ .

NOTE: This measurement becomes the reference power for the power measurements of the other channels.

- f) Using the method described in e), a measurement on all the other DECT channels shall be made and recorded in dB as a value relative to  $P_{ref}$ . These shall be called  $P_{rm-2}$ ,  $P_{rm-1}$ ,  $P_{rm+1}$ ,  $P_{rm+2}$ , etc. corresponding to the measurements made on channels  $Y = M - 2$ ,  $Y = M - 1$ ,  $Y = M + 1$  and  $Y = M + 2$ .
- g) Using the measured value of transmitted power, NTP, from clause 10 for channel  $Y = M$ , the LT shall calculate the power emissions on each channel.

EXAMPLE: Emissions on channel  $Y = M + 1$ :

$$= NTP(\text{dBm}) + P_{rm+1}(\text{dB}).$$

- h) The value calculated in g) shall be converted from dBm to watt.
- i) Steps b) through h) shall be performed with the EUT's transmitter placed on the DECT RF channel closest to  $F_U$ , the RF channel closest to  $F_L$  and another RF channel inside the band.

### 5.3.7.2.3 Verdict criteria

The unwanted emissions, as measured, shall not be greater than the power levels stated in table 20.

**Table 20: Levels of emissions due to modulation**

Emissions on RF channel « Y »	Maximum power level
Y = M ± 1	160 µW
Y = M ± 2	1 µW
Y = M ± 3	80 nW
Y = any other DECT channel	40 nW

For Y = "any other DECT channel", the maximum power level shall be less than 40 nW except for one instance per M of a 500 nW signal.

"M" is the EUT transmit channel and "Y" is a legal DECT channel other than the EUT transmit channel.

The results obtained shall be compared to the limits in clause 4.5.7.2.2 in order to prove compliance with the requirement.

### 5.3.7.3 Emissions due to transmitter transients

#### 5.3.7.3.1 Test environment

The test shall take place at a test site or using a test fixture for equipment with integral antenna.

The test shall take place under nominal supply voltage conditions and at a nominal temperature.

#### 5.3.7.3.2 Method of measurement

- a) If the EUT has an external antenna connector then this shall be used to connect the EUT to the LT. Otherwise, the transmitted signal shall be applied to the LT via a coupling device which provides the appropriate signal level to the system. The analysing system in the LT shall be operated under the following conditions:
- frequency sweep: 1 MHz;
  - resolution bandwidth: 100 kHz;
  - video bandwidth: greater than resolution bandwidth;
  - averaging: none;
  - peak hold: on;
  - filtering type: 4 or 5 pole synchronously tuned.

The centre frequencies of the DECT RF channels are defined in clause 4.5.2.1.

- b) The LT shall place the EUT in a mode whereby the EUT is positioned in a LT specified slot and frequency. If so equipped, the handover function in the EUT shall be disabled (see clause 5.1.8.3 for the appropriate test message reference).
- c) The EUT shall be placed in a test mode whereby it performs the loopback function as referenced in clause 5.1.8.3. When testing a RFP, the test shall be performed either with the dummy bearer switched off when the traffic bearer is active, or with the dummy bearer placed on the same RF carrier as the traffic bearer as referenced in clause 5.1.8.4.
- d) A test modulation signal D - M2 (see clause 5.1.7.8) generated by the LT.
- e) The analysing system centre frequency is positioned at the centre of the DECT RF channel being measured.
- f) The analysing system shall initiate a power measurement procedure conforming to the limits specified in clause 5.2, table 7.

- g) Using the measured values obtained from e) to f), the LT shall select the highest recorded value within the sweep. This value shall be compared with the verdict criteria.
- h) Steps e) to g) are repeated for all DECT RF channels other than the one on which the EUT is transmitting.
- i) Steps b) to h) shall then be repeated until measurements have been made with the EUT's transmitter placed on all DECT RF channels.

### 5.3.7.3.3 Verdict criteria

The unwanted emissions, as measured, shall not be greater than the power levels stated in table 21.

**Table 21: Levels of emissions due to transients**

Emissions on RF Channel « Y »	maximum peak power Level
$Y = M \pm 1$	250 $\mu$ W
$Y = M \pm 2$	40 $\mu$ W
$Y = M \pm 3$	4 $\mu$ W
Y = any other DECT channel	1 $\mu$ W

"M" is the EUT transmit channel and "Y" is a legal DECT channel other than the EUT transmit channel.

The results obtained shall be compared to the limits in clause 4.5.7.3.2 in order to prove compliance with the requirement.

### 5.3.7.4 Emissions due to intermodulation

#### 5.3.7.4.1 Test environment

If the EUT is a PP equipped with an integral antenna, the EUT and the test antenna shall be mounted in the reference test arrangement as specified in clause 5.1.12.1.

If the EUT is a RFP with an integral antenna, the EUT and the test antenna shall be mounted in the reference testing arrangement as specified in clause 5.1.12.2.

If the EUT has an external antenna connector then this test shall preferably take place at a test site, otherwise a test fixture may be used.

The test shall take place under nominal supply voltage conditions and at a nominal temperature.

#### 5.3.7.4.2 Method of measurement

- a) If the EUT has an external antenna connector then this shall be used to connect the EUT to the LT. Otherwise, the transmitted signal shall be applied to the LT via a coupling device which provides the appropriate signal level to the system. The analysing system in the LT shall be operated under the following conditions:
  - frequency sweep: 1 MHz;
  - resolution bandwidth: 100 kHz;
  - video bandwidth: greater than resolution bandwidth;
  - integration: across the frequency sweep;
  - peak hold: on;
  - sweep time: greater than 12 s;
  - filtering type: synchronously tuned.

The centre frequencies of the DECT RF channels are defined in clause 4.5.2.1.



The total sample time used for measurement is 60 % to 80 % of the duration of the physical packet, starting before 25 % of the slot time has expired but after the transmission of the synchronization word. The LT shall determine the start of the physical packet (bit p0) transmitted by the EUT.

- b) The EUT shall be placed in a mode whereby two of the transceivers shall be made to operate on the same slot in the frame but on different DECT RF channels. The RF channels shall be the one closest to  $F_U$  and the one closest to  $F_L$ . If so equipped, the handover function in the EUT shall be disabled (see clause 5.1.8.3 for the appropriate test message reference).
- c) The EUT shall be placed in a test mode whereby it performs the loopback function for both transceivers as referenced in clause 5.1.8.3.
- d) A test modulation signal D - M2 (see clause 5.1.7.8) is generated by the LT.
- e) Using the analysing system, a measurement of the transmitted powers on the channel closest to  $F_U$  and the one closest to  $F_L$  shall be made during the sample time for a transmitter in the EUT. These measurements shall be called  $P_{ref0}$  and  $P_{ref9}$ .
- f) The EUT shall be placed in a mode whereby two of the transmitters shall be made to operate on the same slot in the frame but on different DECT RF channels. The RF channels shall be the one 4<sup>th</sup> closest to  $F_U$  and the one 7<sup>th</sup> closest to  $F_U$ . If so equipped, the handover function in the EUT shall be disabled (see clause 5.1.8.3 for the appropriate test message reference).
- g) Using the analysing system, a measurement of the power levels on the channel closest to  $F_U$  and the channel closest to  $F_L$  shall be made during the sample time for a transmitter in the EUT. These power measurements shall be called  $P_{m0}$  and  $P_{m9}$ .
- h) Using the NTPs for the channel closest to  $F_U$  and the channel closest to  $F_L$  (as defined in clause 4.5.5), the LT shall calculate the power emissions on the channel closest to  $F_U$  and the channel closest to  $F_L$ . The calculation shall be is performed as follows:
  - 1) emissions on the channel closest to  $F_U$ :
 
$$= NTP_0(\text{dBm}) - P_{ref0}(\text{dBm}) + P_{m0}(\text{dBm});$$
  - 2) emissions on the channel closest to  $F_L$ :
 
$$= NTP_9(\text{dBm}) - P_{ref9}(\text{dBm}) + P_{m9}(\text{dBm}).$$
- i) Steps b) to h) shall be repeated until measurements have been made with all combinations of the EUT's transmitters.

#### 5.3.7.4.3 Verdict criteria

The unwanted emissions due to intermodulation as measured shall not be greater than 1  $\mu\text{W}$  in the measurement channels.

The results obtained shall be compared to the limits in clause 4.5.7.4.2 in order to prove compliance with the requirement.

#### 5.3.7.5 Spurious emissions when allocated a transmit channel

##### 5.3.7.5.1 Radiated emissions

###### 5.3.7.5.1.1 Test environment

The test shall take place at a test site.

For EUTs with external antenna connectors, test loads shall be attached to each connector.

The test shall take place under nominal supply voltage conditions and at a nominal temperature.

#### 5.3.7.5.1.2 Method of measurement

a) The analysing system in the LT shall be operated under the following conditions:

- frequency sweep: as required for frequency range;
- resolution bandwidth: refer to table 22;
- display bandwidth: greater than resolution bandwidth;
- averaging: none;
- peak hold: on;
- filtering type: synchronously tuned.

The sweep time shall be chosen to be slow enough to ensure that the LT is capable of capturing at least one burst spurious signal for every measurement point.

NOTE: This may be achieved by using the following formula:

$$\text{sweep time} > \frac{2 \times (\text{PRI} \times \text{frequency span})}{\text{resolution bandwidth}}$$

where PRI = pulse repetition interval = 10 ms.

b) Measurements shall not be made for transmissions on the RF channel closest to the nearest band edge for frequency offsets of up to 2 MHz.

The centre frequencies of the DECT RF channels are defined in clause 4.5.2.1 b) The LT shall place the EUT in a mode whereby the EUT is positioned in a LT specified slot and frequency. If so equipped, the handover function in the EUT shall be disabled (see clause 5.1.8.3 for the appropriate test message reference).

c) The EUT shall be placed in a test mode whereby it performs the loopback function as referenced in clause 5.1.8.3. When testing a RFP, the test shall be performed either with the dummy bearer switched off when the traffic bearer is active, or with the dummy bearer placed on the same RF carrier as the traffic bearer as referenced in clause 5.1.8.4.

d) A test modulation signal D - M2 (see clause 5.1.7.8) is generated by the LT.

e) The LT shall initiate a power measurement procedure conforming to the limits specified in clause 5.2, table 12.

f) The test shall be carried out over the RF ranges from 30 MHz to 12,75 GHz.

#### 5.3.7.5.1.3 Verdict criteria

The spurious emissions, as measured, shall meet the requirements of table 22. The requirements of table 22 are only applicable for frequencies, which are greater than 12,5 MHz away from the centre frequency ( $f_c$ ) of a carrier.

**Table 22: Spurious emissions requirements**

Frequency	Minimum requirement/ Reference Bandwidth
$30 \text{ MHz} \leq f < 1\,000 \text{ MHz}$	-36 dBm/100 kHz
$1 \text{ GHz} \leq f < 12,75 \text{ GHz}$	-30 dBm/1 MHz
$f_c - 12,5 \text{ MHz} < f < f_c + 12,5 \text{ MHz}$	Not defined

### 5.3.7.5.2 Conducted spurious emissions when the EUT has a permanent external antenna connector

#### 5.3.7.5.2.1 Test environment

The test shall take place under nominal supply voltage conditions and at a nominal temperature.

#### 5.3.7.5.2.2 Method of measurement

- a) The EUT shall be connected to the LT via the permanent external antenna connector.
- b) Carry out the test a) to f) in clause 5.3.7.5.1.2.

#### 5.3.7.5.2.3 Verdict criteria

The spurious emissions, as measured, shall meet the requirements of table 23. The requirements of table 23 are only applicable for frequencies, which are greater than 12,5 MHz away from the centre frequency ( $f_c$ ) of a carrier.

**Table 23: Spurious emissions requirements**

Frequency	Minimum requirement/ Reference bandwidth
$30 \text{ MHz} \leq f < 1\,000 \text{ MHz}$	-36 dBm/100 kHz
$1 \text{ GHz} \leq f < 12,75 \text{ GHz}$ $f_c - 12,5 \text{ MHz} < f < f_c + 12,5 \text{ MHz}$	-30 dBm/1 MHz Not defined

## 5.3.8 Radio receiver testing

### 5.3.8.1 Radio receiver sensitivity

#### 5.3.8.1.1 Test environment

The test should preferably take place at a test site, otherwise a test fixture or temporary connector shall be used.

If the EUT has an antenna connector then it shall be used to connect the EUT to the LT.

The test shall take place under nominal supply voltage conditions and at a nominal temperature.

#### 5.3.8.1.2 Method of measurement

- a) The EUT shall be oriented in the reference position as determined in clause 5.1.10.3 if no antenna connector is available.
- b) The LT shall be programmed to set its RF transmission to a power level such that  $60 \text{ dB}\mu\text{V/m}$  (-83 dBm) shall be present at the input of the EUT receiver.
- c) The LT shall place the EUT in a mode whereby the EUT is positioned in a LT specified slot and an RF channel inside the band.. If so equipped, the handover function in the EUT shall be disabled (see clause 5.1.8.3 for the appropriate test message reference).
- d) The EUT shall be placed in a test mode whereby it performs the loopback function as referenced in clause 5.1.8.3.
- e) A test modulation signal D - M2 (see clause 5.1.7.8) is generated by the LT.
- f) The LT shall calculate the BER of the EUT as determined in clause 5.1.10.4 and annexes D and E.
- g) The LT shall offset the frequency of the test signal by 50 kHz and repeat parts b) to f). This sequence of steps shall be repeated twice to include both positive and negative frequency offsets.
- h) Steps b) to f) shall be repeated for the RF channel closest to  $F_U$  and the RF channel closest to  $F_L$ .

### 5.3.8.1.3 Verdict criteria

The BER of the EUT, as measured, shall be less than or equal to 0,001 for the duration of this test.

The results obtained shall be compared to the limits in clause 4.5.8.1.2 in order to prove compliance with the requirement.

## 5.3.8.2 Radio receiver reference BER and FER

### 5.3.8.2.1 Test environment

The test shall take place at a test site or using a test fixture for equipment with integral antenna.

If the EUT has an antenna connector then it shall be used to connect the EUT to the LT.

The test shall take place under nominal supply voltage conditions and at a nominal temperature.

### 5.3.8.2.2 Method of measurement

- a) The EUT shall be oriented in the reference position as determined in clause 5.1.10.3 if no antenna connector is available.
- b) The LT shall be programmed to set its RF transmission to a power level of 70 dB $\mu$ V/m (-73 dBm) at the input of the EUT receiver.
- c) The LT shall place the EUT in a mode whereby the EUT is positioned in a LT specified slot and an RF channel inside the band with handover disabled (see clause 5.1.8.3 for the appropriate test message reference).
- d) The EUT shall be placed in a test mode whereby it performs the loopback function as referenced in clause 5.1.8.3.
- e) A test modulation signal D - M2 (see clause 5.1.7.8) is generated by the LT.
- f) The LT shall calculate the BER and FER of the EUT as determined in clause 5.1.10.4 and annexes D and E.
- g) Steps b) to f) shall be repeated for the RF channel closest to  $F_U$  and the RF channel closest to  $F_L$ .

### 5.3.8.2.3 Verdict criteria

The BER of the EUT, as measured, shall be 0,00001 or less. The FER of the EUT, as measured, shall be 0,0005 or less.

The results obtained shall be compared to the limits in clause 4.5.8.2.2 in order to prove compliance with the requirement.

## 5.3.8.3 Radio receiver interference performance

### 5.3.8.3.1 Test environment

The test shall take place at a test site or using a test fixture for equipment with integral antenna.

If the EUT has an antenna connector then it shall be used to connect the EUT to the LT.

The test shall take place under nominal supply voltage conditions and at a nominal temperature.

### 5.3.8.3.2 Method of measurement

- a) The EUT shall be oriented in the reference position as determined in clause 5.1.10.3 if no antenna connector is available.
- b) The LT shall be programmed to set its RF transmission to a power level of 70 dB $\mu$ V/m (-73 dBm) at the input of the EUT receiver.

- c) The LT shall place the EUT in a mode whereby the EUT is positioned in a LT specified slot and an RF channel inside the band. If so equipped, the handover function in the EUT shall be disabled (see clause 5.1.8.3 for the appropriate test message reference).
- d) The EUT shall be placed in a test mode whereby it performs the loopback function as referenced in clause 5.1.8.3.
- e) A test modulation signal D - M2 (see clause 5.1.7.8) is generated by the LT.
- f) The LT shall transmit in addition to the D - M2 data test pattern, a modulated DECT - like carrier (see clause 5.1.7.5) on channel "Y" whose level is determined by table 24.

**Table 24: Interferer levels**

Interferer on RF Channel "Y"	Interferer signal strength	
	(dB $\mu$ V/m)	(dBm)
Y = M	59	-84
Y = M $\pm$ 1	83	-60
Y = M $\pm$ 2	104	-39
Y = any other DECT channel	110	-33

The RF carriers "Y" shall include the three nominal DECT RF carrier positions immediately outside each edge of the DECT band.

- g) The LT shall calculate the BER of the EUT as determined in clause 5.1.10.4 and annexes D and E.
- h) Steps b) to g) shall be repeated so that the single interfering DECT - like carrier has been placed on all the remaining DECT channels. Table 24 indicates the amplitude of the interferer.
- i) Steps b) to h) shall be repeated for the RF channel closest to  $F_U$  and the RF channel closest to  $F_L$ .

### 5.3.8.3.3 Verdict criteria

The BER of the EUT, as measured, shall be 0,001 or less.

The results obtained shall be compared to the limits in clause 4.5.8.3.2 in order to prove compliance with the requirement.

### 5.3.8.4 Radio receiver blocking case 1: owing to signals occurring at the same time but on other frequencies

#### 5.3.8.4.1 Test environment

The test shall take place at a test site or using a test fixture for equipment with integral antenna.

If the EUT has an antenna connector then it shall be used to connect the EUT to the LT.

The test shall take place under nominal supply voltage conditions and at a nominal temperature.

#### 5.3.8.4.2 Method of measurement

- a) The EUT shall be oriented in the reference position as determined in clause 5.1.10.3 if no antenna connector is available.
- b) The power level of the RF transmission from the LT shall be set to -80 dBm.
- c) The LT shall place the EUT in a mode whereby the EUT is positioned in a LT specified slot and frequency ( $F_c$ ). The frequency chosen shall be one DECT RF channel inside the band. If so equipped, the handover function in the EUT shall be disabled (see clause 5.1.8.3 for the appropriate test message reference).
- d) The EUT shall be placed in a test mode whereby it performs the loopback function as referenced in clause 5.1.8.3.

- e) A test modulation signal D - M2 (see clause 5.1.7.8) is generated by the LT.
- f) The LT shall transmit in addition to the D -M2 signal a single continuous - wave interferer with an equivalent frequency change rate not exceeding the rate shown in table 25.

**Table 25: Frequency change rate**

Equipment type	Frequency change rate
A-field only	1 MHz/s
half-slot	2,5 MHz/s
full-slot	10 MHz/s
Variable length slot with j=640	20 MHz/s
double-slot	20 MHz/s

The frequency (f) and levels are determined by table 26. If discrete frequency steps are used, the step shall not exceed 1 MHz.

The EUT shall operate on the declared frequency allocation, see clause 4.5.9.4, with the low band edge  $F_L$  in MHz and the high band edge  $F_U$  in MHz.

**Table 26: Interferer levels**

Frequency (f)	Continuous wave interferer level	
	For radiated measurements dB $\mu$ V/m	For conducted measurements dBm
$25 \text{ MHz} \leq f < F_L - 100 \text{ MHz}$	120	-23
$F_L - 100 \text{ MHz} \leq f < F_L - 5 \text{ MHz}$	110	-33
$ f - F_c  > 6 \text{ MHz}$	100	-43
$F_U + 5 \text{ MHz} < f \leq F_U + 100 \text{ MHz}$	110	-33
$F_U + 100 \text{ MHz} < f \leq 12,75 \text{ GHz}$	120	-23

- g) The LT shall for frequencies and conditions defined under part f) monitor bit errors with time intervals not exceeding 1 s.
- h) At frequencies where 1 or more errors are found, the LT shall calculate the BER of the EUT as determined in clause 5.1.10.4 and annexes D and E. If the measured BER exceeds 0,001 the frequency shall be recorded.
- i) For all frequencies recorded under h) the measurement and recording procedure shall be repeated, but with the interferer level decreased to 100 dB $\mu$ V/m for radiated measurements or -43 dBm for conducted measurements.
- j) For all frequencies recorded under i), the measurement and recording procedure shall be repeated, but with the interferer level decreased to 80 dB $\mu$ V/m for radiated measurements or -63 dBm for conducted measurements.

#### 5.3.8.4.3 Verdict criteria

A spurious response frequency is defined as the nominal DECT carrier frequency  $F_g$  closest to a frequency recorded under part h).

NOTE:  $F_g$  is defined in ETSI EN 300 175-2 [1], clause 4.1.1 as the nominal DECT RF carrier whose centre frequency is generated by the formula:

$$F_g = F_0 - g \times 1\,728 \text{ kHz};$$

where  $F_0 = 1\,897,344 \text{ MHz}$  and  $g$  is any integer.

An occurrence is defined as a group of up to 3 spurious response frequencies with consecutive values of  $g$ . Two occurrences are defined as separate if between these occurrences there is at least one nominal DECT carrier frequency that is not a spurious response frequency.

Every recorded frequency is defined to be related to the closest spurious response frequency.

Every recorded frequency is defined to be related to the occurrence which contains the related spurious response frequency.

All frequencies recorded under h) shall only relate to a maximum of 8 separated occurrences.

All frequencies recorded under i) shall only relate to a maximum of 4 separated occurrences.

No frequency shall have been recorded under j).

The results obtained shall be compared to the limits in clause 4.5.8.4.2 in order to prove compliance with the requirement.

### 5.3.8.5 Radio receiver blocking case 2: owing to signals occurring at a different time

#### 5.3.8.5.1 Test environment

The test shall take place at a test site or using a test fixture for equipment with integral antenna.

If the EUT has an antenna connector then it shall be used to connect the EUT to the LT.

The test shall take place under nominal supply voltage conditions and at a nominal temperature.

#### 5.3.8.5.2 Method of measurement

- a) The EUT shall be orientated in the reference position as determined in clause 5.1.10.3 if no antenna connector is available.
- b) The LT shall be programmed to set its RF transmission to a power level of 70 dB $\mu$ V/m (-73 dBm) at the input of the EUT receiver.
- c) The LT shall place the EUT in a mode whereby the EUT is positioned in an DECT RF channel inside the band and slot-pair N (i.e. slot N and slot N + 12 with N  $\geq$  2). If so equipped, the handover function in the EUT shall be disabled (see clause 5.1.8.3 for the appropriate test message reference).
- d) The EUT shall be placed in a test mode whereby it performs the loopback function as referenced in clause 5.1.8.3.
- e) A test modulation signal D-M2 (see clause 5.1.7.8) is generated by the LT.
- f) The LT shall transmit at the same time a DECT-like physical packet interferer at a level of -14 dBm (129 dB $\mu$ V/m) in slot N - 2 for measuring a PT and slot (N + 12) - 2 for measuring an FT (see clause 5.1.7.5 for a description of this interferer).

The power level of any emissions by the LT shall be less than -93 (50 dB $\mu$ V/m) dBm on slot N - 1 for measuring a PT and on slot (N + 12) - 1 for measuring an FT.

- g) The LT shall be programmed to set its RF transmission to a power level of 60 dB $\mu$ V/m (-83 dBm) at the input of the EUT receiver in slot N for measuring a PT and in slot N + 12 for measuring an FT.
- h) The LT shall calculate the BER of the EUT as determined in clause 5.1.10.4 and annexes D and E.
- i) Steps b) to h) shall be repeated with the EUT's receiver placed on the RF channel closest to  $F_U$  and the RF channel closest to  $F_L$ .

#### 5.3.8.5.3 Verdict criteria

The BER of the EUT as measured shall be 0,001 or less for the duration of this test.

The results obtained shall be compared to the limits in clause 4.5.8.5.2 in order to prove compliance with the requirement.

### 5.3.8.6 Receiver intermodulation performance

#### 5.3.8.6.1 Test environment

The test should preferably take place at a test site, otherwise a test fixture shall be used.

If the EUT has an antenna connector then it shall be used to connect the EUT to the LT.

The test shall take place under nominal supply voltage conditions and at a nominal temperature.

#### 5.3.8.6.2 Method of measurement

- a) The EUT shall be oriented in the reference position as determined in clause 5.1.10.3 if no antenna connector is available.
- b) The LT shall be programmed to set its RF transmission level to a power level of 63 dB $\mu$ V/m (-80 dBm) at the input of the EUT receiver.
- c) The EUT's RF channel is recorded as channel "M".
- d) The LT shall place the EUT in a mode whereby the EUT is positioned in a LT specified slot and frequency. If so equipped, the handover function in the EUT shall be disabled (see clause 5.1.8.3 for the appropriate test message reference).
- e) The EUT shall be placed in a test mode whereby it performs the loopback function as referenced in clause 5.1.8.3.
- f) A test modulation signal D - M2 (see clause 5.1.7.8) is generated by the LT.
- g) The LT shall then transmit in addition to the D - M2 test signal, a modulated DECT-like carrier "B" and a continuous-wave carrier "A" whose intermodulation product is present within the DECT channel "M" of the EUT. The level of these carriers shall be set to -48 dBm (95 dB $\mu$ V/m) at the receiver input of the EUT. The LT shall calculate the BER of the EUT as determined in clause 5.1.10.4 and annexes D and E. The measurement shall be performed 4 times with the interfering carriers and the EUT receive channel positioned on the DECT RF channels as given in table 27.

**Table 27: RF carrier combinations**

<b>M</b>	<b>A</b>	<b>B</b>
5 <sup>th</sup> lowest channel	3 <sup>rd</sup> lowest channel	lowest channel
6 <sup>th</sup> highest channel	4 <sup>th</sup> highest channel	2 <sup>nd</sup> highest channel
highest channel	3 <sup>rd</sup> highest channel	5 <sup>th</sup> highest channel
lowest channel	3 <sup>rd</sup> lowest channel	5 <sup>th</sup> lowest channel

#### 5.3.8.6.3 Verdict criteria

The BER of the EUT, as measured, shall be less than 0,001 for the duration of this test.

The results obtained shall be compared to the limits in clause 4.5.8.6.2 in order to prove compliance with the requirement.

### 5.3.8.7 Spurious emissions when the PP has no allocated transmit channel

#### 5.3.8.7.1 Test environment

The test shall take place at a test site.

Connection between the EUT and the LT shall be made by means of a test antenna.

The test shall take place under nominal supply voltage conditions and at a nominal temperature.



### 5.3.8.7.2 Method of measurement

- a) The analyser controls shall be set to the following:
  - frequency span: as required for frequency range;
  - resolution bandwidth: 100 kHz for  $30 \text{ MHz} \leq f < 1\,000 \text{ MHz}$  and 1 MHz for  $1 \text{ GHz} \leq f < 12,75 \text{ GHz}$ ;
  - video bandwidth: greater than resolution bandwidth;
  - averaging: none;
  - peak hold: on;
  - filtering type: synchronously tuned for measurements in the DECT band.
- b) The EUT shall be oriented in the reference position as determined in clause 5.1.10.3.
- c) The EUT shall be placed into a receive or idle mode for the duration of this test.
- d) The test shall be carried out across the RF range of 30 MHz to 12,75 GHz and the power measurements shall be performed using the resolution bandwidths as indicated in a).

### 5.3.8.7.3 Verdict criteria (outside the DECT band)

The EUT shall conform to the following limits:

- the emissions as measured shall not be greater than 2 nW between 30 MHz and 1 GHz; and
- between 1 GHz and 12,75 GHz, the emissions as measured shall not exceed 20 nW.

The results obtained shall be compared to the limits in clause 4.5.8.7.2.1 in order to prove compliance with the requirement.

### 5.3.8.7.4 Verdict criteria (inside the DECT band)

The EUT shall conform to the following limits:

- the power level as measured of any spurious emissions shall not exceed 2 nW in a 1 MHz bandwidth.

The following exceptions are allowed:

- a) in one 1 MHz, the maximum allowable Effective Radiated Power (ERP) shall be 20 nW;
- b) in up to two bands of 30 kHz, the maximum ERP shall be less than 250 nW.

The results obtained shall be compared to the limits in clause 4.5.8.7.2.2 in order to prove compliance with the requirement.

## 5.3.9 Channel access

There are no defined tests. Conformance to the requirements shall be shown by an applicant's declaration. See clause 4.5.9 of the present document.

## 5.3.10 WRS testing

### 5.3.10.1 General

The WRS EUT shall be tested as described below.

A WRS requires to be synchronized to a dummy bearer to derive its reference timer for PT and FT transmissions.

### 5.3.10.2 Testing as a PP

The WRS shall operate as a PP in the test Standby Mode, TSM, annex C, as a stand alone module.

In this mode it shall be tested as a normal PP with the exception that RFP class E2 test conditions, see clause 5.1.13 of the present document, shall be used if it is intended for outdoor use, and that test case 19 is not applicable. See figure 37.

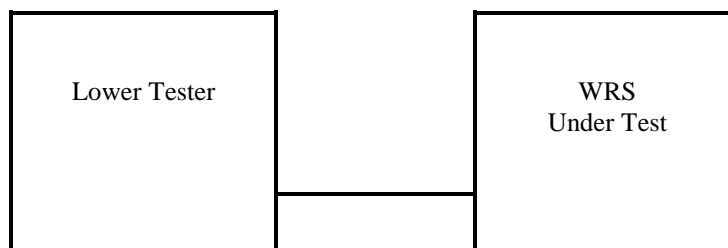


Figure 37: WRS testing as a PP

### 5.3.10.3 Testing as an RFP

A dummy bearer shall be generated by the Lower Tester or (if that is not possible) by an RFP supplied by the applicant and conforms to the present document. The WRS EUT shall be synchronized to the dummy bearer and shall operate as an RFP in Test Standby Mode (TSM). The dummy bearer may change bearer during the test.

The EUT shall tested as an RFP as regards the carrier frequency demands of clause 5.3.2 and reference timer accuracy demands of clause 5.3.3.2 of the present document. See figure 38.

NOTE: The power combiner is not needed if the PP and RFP functions have different antenna connectors.

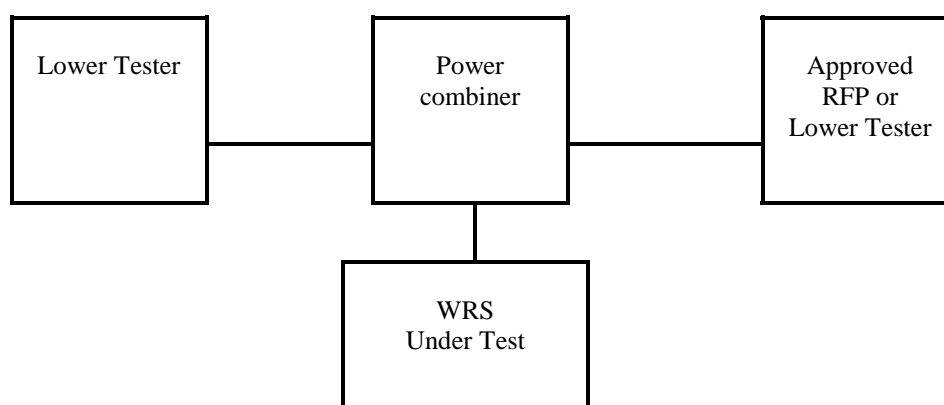


Figure 38: WRS testing as an RFP

### 5.3.10.4 Additional requirements

There are no defined tests for the additional requirements of clause 4.5.10.4 of the present document. Conformance to the requirements shall be shown by an applicant's declaration that:

- The WRS provides a mechanism to control the number of multihops, see ETSI EN 300 700 [6], clause 4.4.2.2.
- The WRS applies the defined frame multiplexing structure, see ETSI EN 300 700 [6], clauses 5.1.3.2 and 6.1.3.2.

Conformance to the requirements for a REP version of WRS shall be shown by an additional applicant's declaration that:

- The REP conforms to the requirements for channel selection of double duplex bearers, see ETSI EN 300 700 [6], clause 6.4.3.3.

## 5.3.11 Requirements for PPs with direct PP to PP communication mode

### 5.3.11.1 General

PPs or CTAs with direct communication mode option shall be tested for the PP requirements of the present document for normal non-direct communication with the amendments defined in the present clause.

### 5.3.11.2 Setting the EUT in direct communications mode

Entering and leaving the direct communications mode shall be made by manual keypad entries or by other means. The EUT shall be set in direct communications mode provided with proper identities. If class E identities are used, the requirements for class E identities in ETSI EN 300 175-6 [4], clauses 5.5, 6.1.5 and 6.3.2 shall be met.

When not processing a call, the EUT shall be in active unlocked PP state.

The applicant shall provide information about T1, typically 10 s, and T2 typically 20 s.

### 5.3.11.3 When the EUT has not initiated a call

When the EUT has not initiated a call, it shall meet the "non-direct mode" PP requirements of the present document, but with the following amendments:

- a) The EUT shall in the active unlocked PP state scan all channels on relevant carriers at least every T1 s.
- b) If ARI class E is used, the paged EUT is allowed to make the bearer setup attempt only on the channel pair where the initiating PP transmits.

### 5.3.11.4 When the EUT initiates a call

By initiating a call means that the number of the wanted subscriber is entered via the keypad or by other means, and that the EUT at "off-hook command" shall enter the RFP active idle state. See ETSI EN 300 175-3 [2], clause 4.3.

When the EUT initiates a call, it shall meet the "non-direct mode" RFP requirements of the present document, but with the following amendments:

- a) the 25 ppm PP timer stability requirements apply. See ETSI EN 300 175-2 [1], clause 4.2.2;
- b) an EUT entering RFP mode is allowed to derive over the air frame and slot synchronization from a DECT system having "non-class E" identities;
- c) the EUT shall use FP or PP simplex bearer channel selection rules for the RFP active idle state. See ETSI EN 300 175-3 [2], clause 11.4;
- d) the page message shall be transmitted in every multiframe as long as in active idle state;
- e) the short page format shall be used for ARI class E;
- f) the EUT shall revert from active idle RFP state to PP active unlocked state, if a duplex bearer has not been established within  $T2 > T1$  s;
- g) the PP is not required to do receiver scanning for ARI class E in RFP active idle nor active state. See ETSI EN 300 175-3 [2], clause 11.8, and ETSI EN 300 175-6 [4], clause 5.5;
- h) if identities class E are used, the  $N_T$  message will not contain an ETSI distributed code. See clause 4.5.10.2 of the present document.

### 5.3.11.5 Applicants declarations

The applicant shall declare:

- that equipment using class E identities conform to the requirements of ETSI EN 300 175-6 [4], clauses 5.5, 6.1.5 and 6.3.2;
- conformance to other requirements of clause 5.3.11 for which test tool are not available.

## 5.3.12 Distributed Communications

### 5.3.12.1 General

PPs and CTAs with distributed communications option, HyPs, shall be tested as a stand alone PP and shall comply with all relevant PP test cases in the present document. In addition the HyPs shall be tested as an RFP as regards the carrier frequency demands of clause 4.5.2 and reference timer accuracy demands of clause 4.5.3.4 of the present document.

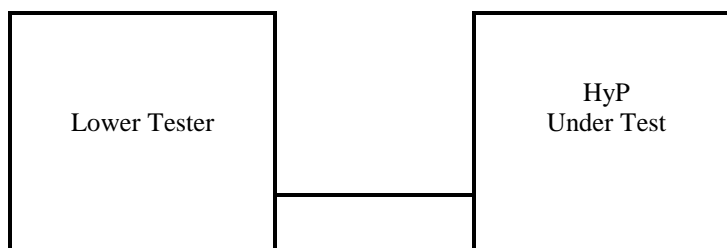
The HyP EUT shall meet the PT and FT requirements and the applicants declarations as described in the present document.

A HyP requires to be synchronized to a bearer to derive its reference timer for PT and FT transmissions.

### 5.3.12.2 Testing as a PP

The EUT shall operate as a PP in the test Standby Mode, TSM, see annex C, as a stand alone module.

In this mode it shall be tested as a normal PP. See figure 39.



**Figure 39: HyP testing as a PP**

### 5.3.12.3 Testing as an RFP

A dummy bearer shall be generated by the Lower Tester or (if that is not possible) by an RFP supplied by the applicant and conforms to the present document. The EUT shall be synchronized to the dummy bearer and shall operate as an RFP in Test Standby Mode. The dummy bearer may change bearer during the test.

The EUT shall tested as an RFP as regards the carrier frequency demands of clause 5.3.1 and reference timer accuracy demands of clause 5.3.3.2 of the present document. See figure 40.

**NOTE:** The power combiner is not needed if the PP and RFP functions have different antenna connectors.

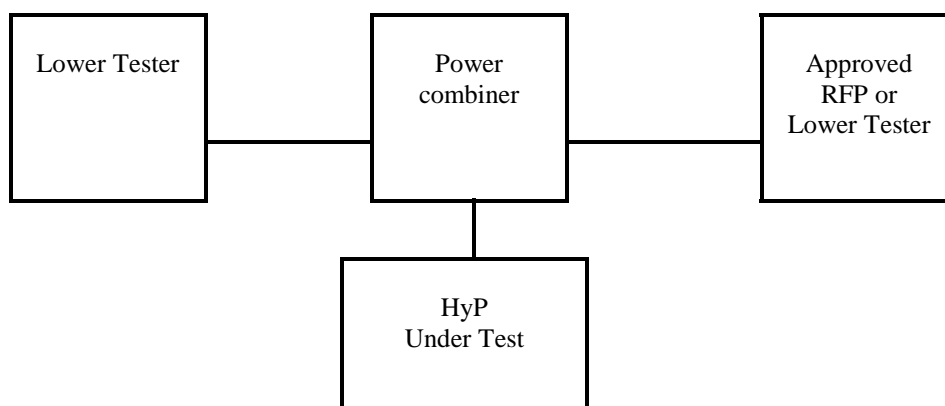


Figure 40: HyP testing as an RFP

#### 5.3.12.4 Applicants declaration

The applicant shall declare conformance to requirements of clause 5.3.12 for which test tool are not available.

### 5.3.13 Higher level modulation options

#### 5.3.13.1 General

The 4-level modulation shall be  $\pi/4$ -DQPSK, the 8-level modulation  $\pi/8$ -D8PSK, the 16-level modulation 16 QAM and the 64-level modulation 64 QAM (see ETSI EN 300 175-2 [1], annex D). It is only allowed to use 4-level or higher level modulation in the B + X + Z or the A + B + X + Z fields, see ETSI EN 300 175-2 [1], clause 4.8 and ETSI EN 300 175-3 [2], clause 6.2.1.1, whereby the S + A or the S field respectively shall use the  $\pi/2$ -DBPSK 2-level modulation as defined in ETSI EN 300 175-2 [1], annex D. The different configurations, 1a to 6, for allowed combinations of modulation schemes are defined in table 28.

**Table 28: Configurations of allowed combinations of modulation types in the S-, A and (B + X + Z)-fields**

Configuration	S-field	A-field	B+X+Z-field when E/U mux is in U mode	B+X+Z-field when E/U mux is in E or E+U modes (see note)
1a	GFSK	GFSK	GFSK	GFSK
1b	$\pi/2$ -DBPSK	$\pi/2$ -DBPSK	$\pi/2$ -DBPSK	$\pi/2$ -DBPSK
2	$\pi/2$ -DBPSK	$\pi/2$ -DBPSK	$\pi/4$ -DQPSK	$\pi/4$ -DQPSK
2b	$\pi/2$ -DBPSK	$\pi/2$ -DBPSK	$\pi/4$ -DQPSK	$\pi/2$ -DBPSK
3	$\pi/2$ -DBPSK	$\pi/2$ -DBPSK	$\pi/8$ -D8PSK	$\pi/8$ -D8PSK
3b	$\pi/2$ -DBPSK	$\pi/2$ -DBPSK	$\pi/8$ -D8PSK	$\pi/4$ -DQPSK
4a	$\pi/2$ -DBPSK	$\pi/4$ -DQPSK	$\pi/4$ -DQPSK	$\pi/4$ -DQPSK
4b	$\pi/2$ -DBPSK	$\pi/8$ -D8PSK	$\pi/8$ -D8PSK	$\pi/8$ -D8PSK
5	$\pi/2$ -DBPSK	$\pi/2$ -DBPSK	16-QAM	16-QAM
6	$\pi/2$ -DBPSK	$\pi/2$ -DBPSK	64-QAM	64-QAM

NOTE: Applies when the E/U multiplexer is in any control mode (see ETSI EN 300 175-3 [2], clauses 6.2.2.2 and 6.2.2.3).

Configuration 1a is the basic DECT modulation scheme for which all tests in the present document are defined.

Equipment that is capable of operating in any of the configurations 2 - 6 shall also be able to operate in configuration 1 (1a or 1b).

Such equipment shall in configuration 1a be tested to conform to all requirements of the present document that apply for equipment using the basic 1a configuration.

Such equipment that does not support configuration 1a, shall in configuration 1b be tested conform to all requirements (verdict criteria) of the present document that apply for equipment using the basic 1a configuration, with the exception for clause 5.3.6 and with the exception for the verdict criteria clauses 4.5.4.1.7 and 4.5.4.1.8 referred in clause 5.3.4.3.

Additionally, if the EUT includes a radio transmitter capable of 4-level and/or higher level modulation, the EUT shall be tested to conform to the requirements of clauses 5.3.5 and 5.3.7 of the present document using the 4-level and/or higher level modulation in the B + X + Z or A + B + X + Z fields.

### 5.3.13.2 Activation of higher level modulations when EUT is in Test Standby Mode

The applicant shall supply a method, to be applied when the EUT is in Test Standby Mode, by which the EUT supporting 4/8/16/64-level modulation might activate such options. For the options supported, it shall be possible to select each modulation option independently of the other.

Such a method may be controlled either by some means of manual switching (e.g. dip-switch, jumper, prom, or key-pad code as designated by the applicant), or by means of the CHANGE\_MODULATION\_SCHEME test message, if agreed with the test house. If only one type of higher level modulation is supported, the method may consist of activating this higher level modulation option at the expiring of a pre-defined timer started after the bearer setup.

The applicant shall describe this method in the PIXIT.

For the purpose of testing (especially when in Test Standby Mode) the EUT shall always use 2-level modulation in the A-field.

### 5.3.13.3 Applicants declaration

The applicant shall declare conformance to requirements of clause 5.3.13 for which test tools are not available.

The applicant shall for RF carrier modulation and power template declare conformance to the standard ETSI EN 300 175-2 [1], annex D.

## Annex A (normative): Relationship between the present document and the essential requirements of Directive 2014/53/EU

The present document has been prepared under the Commission's standardisation request C(2015) 5376 final [i.3] to provide one voluntary means of conforming to the essential requirements of Directive 2014/53/EU on the harmonisation of the laws of the Member States relating to the making available on the market of radio equipment and repealing Directive 1999/5/EC [i.18].

Once the present document is cited in the Official Journal of the European Union under that Directive, compliance with the normative clauses of the present document given in table A.1 confers, within the limits of the scope of the present document, a presumption of conformity with the corresponding essential requirements of that Directive, and associated EFTA regulations.

**Table A.1: Relationship between the present document and the essential requirements of Directive 2014/53/EU**

Harmonised Standard ETSI EN 301 908-10				
The following requirements are relevant to the presumption of conformity under the article 3.2 of Directive 2014/53/EU [i.3]				
Requirement			Requirement Conditionality	
No	Description	Reference: Clause No	U/C	Condition
1	Accuracy and stability of RF carriers	4.5.2	U	
2	Timing jitter: slot-slot on the same channel	4.5.3	U	
3	Reference timing accuracy of a RFP	4.5.3	U	
4	Measurement of packet timing accuracy	4.5.3	U	
5	Transmission Burst	4.5.4	U	
6	Transmitted power: PP and RFP with an integral antenna	4.5.5.1.1	C	If equipment incorporates an integral antenna
7	Transmitted power: PP and RFP with an external antenna connector	4.5.5.1.2	C	If equipment provides an external antenna connector
8	RF carrier modulation	4.5.6	U	
9	Emissions due to modulation	4.5.7.2	U	
10	Emissions due to transmitter transients	4.5.7.3	U	
11	Emissions due to intermodulation	4.5.7.4	U	
12	Spurious emissions when allocated a transmit channel	4.5.7.5	U	
13	Radio receiver sensitivity	4.5.8.1	U	
14	Radio receiver bit error ratio	4.5.8.2	U	
15	Radio receiver interference performance	4.5.8.3	U	
16	Radio receiver blocking case 1	4.5.8.4	U	
17	Radio receiver blocking case 2	4.5.8.5	U	
18	Receiver intermodulation performance	4.5.8.6	U	
19	Spurious emissions when the radio endpoint has no allocated transmit channel	4.5.8.7	U	
20	Channel access	4.5.9	U	
21	WRS	4.5.10	C	If equipment is a WRS
22	PP to PP direct communication	4.5.11	C	If equipment implements PP to PP communication
23	Distributed communication	4.5.12	C	If equipment implements Direct communication
24	Higher level modulation	4.5.13	C	If equipment implements Higher level modulation

### Key to columns:

#### Requirement:

**No** A unique identifier for one row of the table which may be used to identify a requirement.

**Description** A textual reference to the requirement.

**Clause Number** Identification of clause(s) defining the requirement in the present document unless another document is referenced explicitly.

**Requirement Conditionality:**

**U/C** Indicates whether the requirement shall be unconditionally applicable (U) or is conditional upon the manufacturers claimed functionality of the equipment (C).

**Condition** Explains the conditions when the requirement shall or shall not be applicable for a requirement which is classified "conditional".

Presumption of conformity stays valid only as long as a reference to the present document is maintained in the list published in the Official Journal of the European Union. Users of the present document should consult frequently the latest list published in the Official Journal of the European Union.

Other Union legislation may be applicable to the product(s) falling within the scope of the present document.



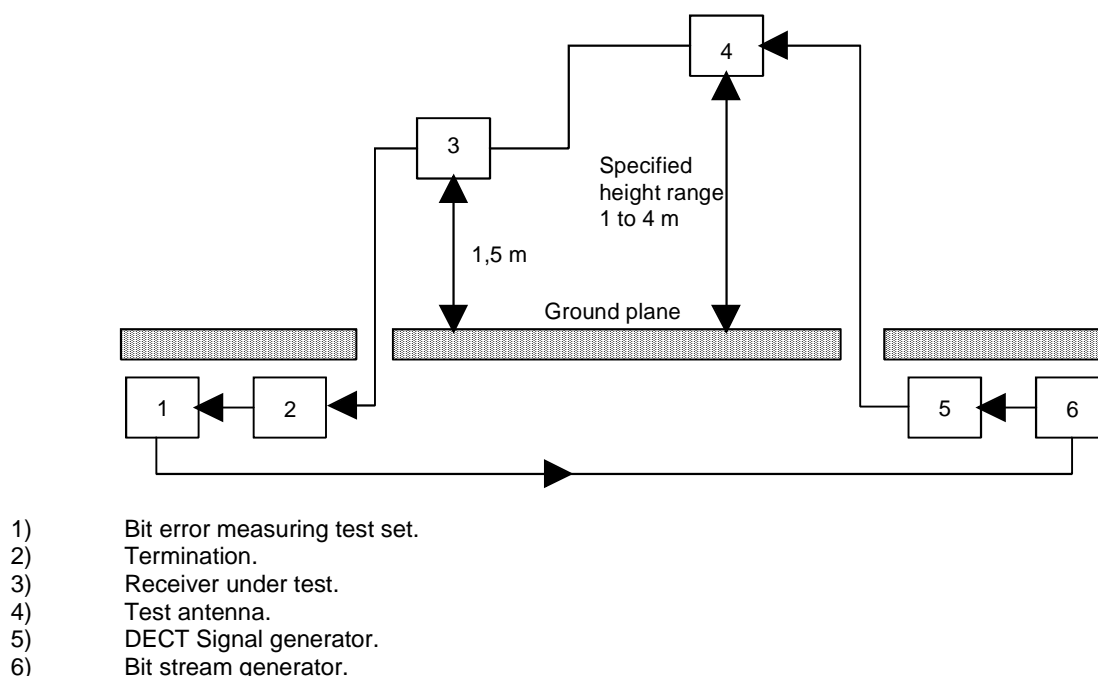
## Annex B (normative): Procedures for test fixture calibration

### B.1 Calibration of test fixture for receiver measurements

#### B.1.1 Procedure

The calibration procedure utilizes the average measured usable sensitivity of the receiver. The average measured usable sensitivity expressed as field strength for bit stream shall be the average of eight measurements of field strength, expressed in dB $\mu$ V/m, at the nominal frequency of the receiver and with specified test modulation which produces after demodulation a data signal with a bit error ratio of  $10^{-3}$ , when the receiver is rotated in  $45^\circ$  increments, starting at the reference orientation.

#### B.1.2 Method of measurement



**Figure B.1: Measurement arrangement No.1**

- a) A test site which fulfils the requirements of the specified frequency range of this measurement shall be used. The test antenna shall be oriented initially for vertical polarization unless otherwise stated.

A signal generator capable of producing a DECT signal shall be connected to the test antenna. The signal generator shall be at the nominal frequency of the receiver and shall be modulated by the test modulation D-M2. The receiver under test shall be placed on the support in its standard position and oriented so that a face, specified by the applicant, is normal to the direction of the test antenna. This is the reference orientation for the measurement.

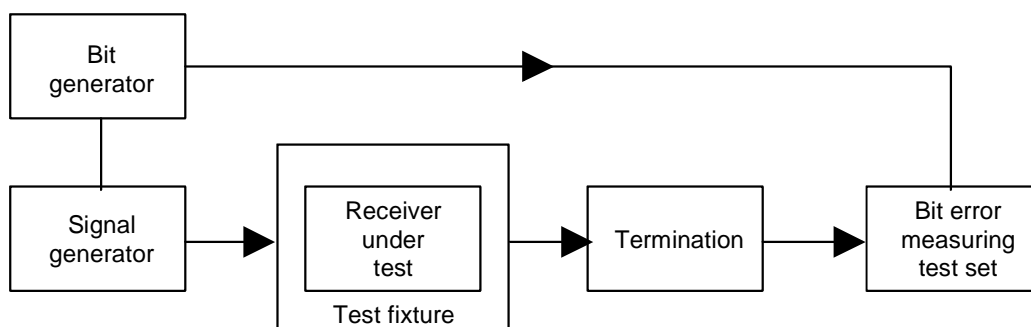
- b) The bit pattern of the modulating signal shall be compared to the bit pattern obtained from the receiver after demodulation.
- c) The output level of the signal generator shall be adjusted until a bit error ratio of  $10^{-3}$  is obtained.
- d) The test antenna shall be raised or lowered again through the specified height range to find the lowest level of the test signal which produces the same bit error ratio.

- e) Record the minimum signal generator level from c) or d).
- f) Steps b) to e) shall be repeated for the eight positions 45° apart of the receiver and the corresponding values of the generator output which produces the same bit error ratio will be determined and recorded.
- g) Using the calibration of the test site, calculate the eight field strengths  $X_i$  ( $\mu\text{V/m}$ ) corresponding to the output level above of the signal generator. The average measured usable sensitivity expressed as field strength  $X_{\text{mean}}$  ( $\text{dB}\mu\text{V/m}$ ) is given by:

$$X_{\text{mean}} = 20 \log \left[ \frac{8}{\sum_{i=1}^{i=8} \left( \frac{1}{X_i^2} \right)} \right]^{1/2}$$

- h) Measurements b) to g) shall be repeated with the test antenna oriented in horizontal polarization.
- i) Record the lower value of the two recorded in steps g) and h) above.
- j) Using the test fixture in measuring arrangement No.2 the measurement may also be performed under extreme test conditions.

Additional uncertainties can occur under extreme test conditions due to the calibration of the test fixture.



**Figure B.2: Measurement arrangement No.2**

- k) The test signal input level providing a BER of  $10^{-3}$  shall be determined under normal and extreme test conditions and the difference in dB is noted. This difference shall be algebraically added to the average measured usable sensitivity to radiated fields for bit stream expressed in  $\text{dB}\mu\text{V/m}$  under normal test conditions, to obtain the same quantity under extreme test conditions.

## Annex C (normative): Measurement of BER and FER

The LT shall use the following method for calculating BER:

- in frames counted for synchronization loss the bit errors for the frame shall be disregarded;
- only whole numbers of frames shall be tested;
- the threshold used in the EUT to detect synchronization shall be the same for BER measurements as for normal operation:
  - let the total number of frames transmitted by the LT be  $\alpha$ ; and
  - let the number of frames counted with synchronization loss be  $\beta$ ; and
  - let the number of bits counted in error be  $\gamma$ ; and
  - let the number of bits in a frame be  $\xi$ ;

then:

$$\text{BER} = \frac{\gamma}{\xi \times (\alpha - \beta)}$$

$$\text{FER} = \frac{\beta}{\alpha}$$

Over the measurement, the FER shall be less than 5 %, except for the test in clause 5.3.8.2, where the FER shall be less than 0,05 %.

For the calculation of the BER the following number N of transmitted bits shall be used:

$$N = (320 + 2\,016 \times (1 - e^{-\text{BER1}/\text{BERL}}))/\text{BERL}$$

where:

- BERL - Limit value of BER measurement (depending on test case).
- BER1 - BER measured during the first 320 000 bits (for BERL = 0,001) or 32 000 000 bits (for BERL = 0,00001) respectively. If BER1 is greater than BERL then BER1 = BERL is used for the calculation.

---

## Annex D (informative): Procedures for the measurement of synchronization loss at the EUT by the LT

### D.1 Description

Clause 5.3.8 requires the synchronization loss to be measured within the LT. In order that this can be made possible this annex describes a method by which the EUT can inform the LT when a synchronization error has occurred.

---

### D.2 Method

When a synchronization error occurs the EUT should either:

- 1) re-transmit the last received B-field; or
- 2) transmit all 0s in the B-field;

of the transmit half frame immediately following the loss of synchronization.

The LT should detect the synchronization error by using a threshold method on the bit error count for the frame. If the BER calculated for the frame is less than 25 % then the BER calculated should go towards the total bit error count for the measurement. If the BER calculated is greater than or equal to 25 % then the frame is counted as a synchronization error and the total bit error count is not incremented.

---

# Annex E (informative): DECT carrier numbers and carrier positions in the range 1 880 MHz to 2 025 MHz

## E.1 Introduction

RF carriers for IMT-FT applications of DECT are placed within the parts of the European UMTS spectrum applicable for TDD operation. (see ERC/DEC(99)25 [8] and ERC/DEC(00)01 [9]) e.g. within 1 900 MHz to 1 920 MHz, 1 920 MHz to 1 980 MHz and/or 2 010 MHz to 2 025 MHz. IMT-FT equipment may have a second mode providing for operation also in the DECT band 1 880 MHz to 1 900 MHz.

DECT carriers are specified for the whole frequency range 1 880 MHz to 2 025 MHz.

An RF carrier is defined by its centre frequency  $F_c$ .

The DECT fixed part (base stations of the same system) broadcast messages indicate the locally relevant carriers to ensure that PPs and CTAs set up calls only within the locally allocated band. These broadcast messages from a specific local fixed part contain information on the carrier frequencies of up to 64 carrier positions  $F_c$ , and whether each of these is allowed to be used or not. The frequencies for carrier numbers  $c = 0, 1, \dots, 9$  are fixed for the band 1 880 MHz to 1 900 MHz, but the frequencies for carriers  $c = 10, 11, \dots, 63$  depend on the specific RF band number. See ETSI EN 300 175-3 [2], clauses 7.2.3.2.8, 7.2.3.3 and 7.2.3.9.

The carrier numbers  $c = 0, 1, 2, \dots, 9$  are for the frequency band 1 880 MHz to 1 900 MHz. Those 10 RF-carrier centre frequencies  $F_c$  are given by:

$$F_c = F_0 - c \times 1,728 \text{ MHz}, \quad \text{where: } F_0 = 1\,897,344 \text{ MHz}$$

For extension of carrier positions to cover bands up to 2 025 MHz, a basic set of partially overlapping RF bands have been defined in ETSI EN 300 175-2 [1]. New or modified carrier positions and/or bands can (locally) be defined when needed.

DECT Carrier positions for RF bands number 00001 and 00010 are found below in clauses F.2 and F.3. For further information including other RF bands see ETSI EN 300 175-2 [1].

## E.2 1 880 MHz to 1 978 MHz and 2 010 MHz to 2 025 MHz RF band 00001

RF-band number = 00001 defines 54 additional carriers within the bands 1 899 MHz to 1 978 MHz and 2 010 MHz to 2 025 MHz. The carrier frequencies are defined by:

$$F_c = F_9 + c \times 1,728 \text{ MHz, where } F_9 = 1\,881,792 \text{ MHz and } c = 10, 11, 12, \dots, 63.$$

The above carrier frequencies are explicitly given in table E.1.

**Table E.1: Carrier numbers and carrier positions**

Carrier number c	Rf-band number	Carrier frequency (MHz)	Carrier number c	Rf-band number	Carrier frequency (MHz)
9	-	1 881,792	32	00001	1 937,088
8	-	1 883,520	33	00001	1 938,816
7	-	1 885,248	34	00001	1 940,544 (see note)
6	-	1 886,876	35	00001	1 942,272
5	-	1 888,704	36	00001	1 944,000 (see note)
4	-	1 890,432	37	00001	1 945,728 (see note)
3	-	1 892,160	38	00001	1 947,456
2	-	1 893,888	39	00001	1 949,184 (see note)
1	-	1 895,616	40	00001	1 950,912 (see note)
0	-	1 897,344	41	00001	1 952,640
10	00001	1 899,072	42	00001	1 954,368 (see note)
11	00001	1 900,800	43	00001	1 956,096 (see note)
12	00001	1 902,528	44	00001	1 957,824
13	00001	1 904,256 (see note)	45	00001	1 959,552 (see note)
14	00001	1 905,984 (see note)	46	00001	1 961,280
15	00001	1 907,712	47	00001	1 963,008
16	00001	1 909,440 (see note)	48	00001	1 964,736 (see note)
17	00001	1 911,168 (see note)	49	00001	1 966,464
18	00001	1 912,896	50	00001	1 968,192
19	00001	1 914,624 (see note)	51	00001	1 969,920 (see note)
20	00001	1 916,352	52	00001	1 971,648
21	00001	1 918,080	53	00001	1 973,376
22	00001	1 919,808 (see note)	54	00001	1 975,104 (see note)
23	00001	1 921,536	55	00001	1 976,832
24	00001	1 923,264	56	00001	2 011,392
25	00001	1 924,992 (see note)	57	00001	2 013,120
26	00001	1 926,720	58	00001	2 014,848
27	00001	1 928,448	59	00001	2 016,576
28	00001	1 930,176 (see note)	60	00001	2 018,304
29	00001	1 931,904	61	00001	2 020,032
30	00001	1 933,632	62	00001	2 021,760
31	00001	1 935,360 (see note)	63	00001	2 023,488

NOTE: This carrier can normally not be used unless the adjacent 5 MHz spectrum block belongs to the same operator. The spectrum block border frequencies coincide with a frequency  $n \times 5$  MHz, where  $n$  is an integer.

## E.3 1 880 MHz to 1 925 MHz and 2 010 MHz to 2 025 MHz RF band 00010

RF-band number = 00010 defines 23 additional carriers. 15 from 1 899,072 MHz to 1 923,264 MHz and 8 from 2 011,392 to 2 023,488 MHz. The carrier frequencies are defined by:

$$F_c = F_9 + c \times 1,728 \text{ MHz, where } F_9 = 1\,881,792 \text{ MHz and } c = 10, 11, 12, \dots, 24$$

$$F_c = F_9 + (c + 50) \times 1,728 \text{ MHz, where } F_9 = 1\,881,792 \text{ MHz and } c = 25, 26, \dots, 32$$

This RF-band is the preferred band for operation in the spectrum exclusively allocated for TDD operation.

The above carrier frequencies are explicitly given in table E.2.

**Table E.2: Carrier numbers and carrier positions**

Carrier number c	Rf-band number	Carrier frequency (MHz)	Carrier number c	Rf-band number	Carrier frequency (MHz)
9	-	1 881,792	17	00010	1 911,168 (see note)
8	-	1 883,520	18	00010	1 912,896
7	-	1 885,248	19	00010	1 914,624 (see note)
6	-	1 886,876	20	00010	1 916,352
5	-	1 888,704	21	00010	1 918,080 (see note)
4	-	1 890,432	22	00010	1 919,808
3	-	1 892,160	23	00010	1 921,536
2	-	1 893,888	24	00010	1 923,264
1	-	1 895,616	25	00010	2 011,392
0	-	1 897,344	26	00010	2 013,120
10	00010	1 899,072	27	00010	2 014,848
11	00010	1 900,800	28	00010	2 016,576
12	00010	1 902,528	29	00010	2 018,304
13	00010	1 904,256 (see note)	30	00010	2 020,032
14	00010	1 905,984 (see note)	31	00010	2 021,760
15	00010	1 907,712	32	00010	2 023,488
16	00010	1 909,440 (see note)			

NOTE: This carrier can normally not be used unless the adjacent 5 MHz spectrum block belongs to the same operator. The spectrum block border frequencies coincide with a frequency  $n \times 5$  MHz, where  $n$  is an integer.

---

## Annex F (informative): Bibliography

- Council Directive 89/336/EEC of 3 May 1989 on the approximation of the laws of the Member States relating to electromagnetic compatibility (EMC Directive).
- Council Directive 73/23/EEC of 19 February 1973 on the harmonization of the laws of Member States relating to electrical equipment designed for use within certain voltage limits (LV Directive).
- Recommendation ITU-R M.1457: "Detailed specifications of the radio interfaces of International Mobile Telecommunications-2000 (IMT-2000)".
- ETSI EN 301 489 (all parts): "Electromagnetic compatibility and Radio spectrum Matters (ERM); ElectroMagnetic Compatibility (EMC) standard for radio equipment and services".
- ETSI EN 301 649: "Digital Enhanced Cordless Telecommunications (DECT); DECT Packet Radio Service (DPRS)".
- ETSI TS 102 527-1: "Digital Enhanced Cordless Telecommunications (DECT); New Generation DECT; Part 1: Wideband speech".
- ETSI TS 102 527-2: "Digital Enhanced Cordless Telecommunications (DECT); New Generation DECT; Part 2: Support of transparent IP packet data".
- ETSI TS 102 527-3: "Digital Enhanced Cordless Telecommunications (DECT); New Generation DECT; Part 3: Extended Wideband speech services".
- Recommendation ITU-T G.726 (12/1990): "40, 32, 24, 16 kbit/s adaptive differential pulse code modulation (ADPCM)".
- ETSI EG 203 336: "Electromagnetic compatibility and Radio spectrum Matters (ERM); A guide to the production of Harmonised Standards for application under Directive 2014/53/EU".
- Recommendation ITU-T V.11 (10/1996): "Electrical characteristics for balanced double-current interchange circuits operating at data signalling rates up to 10 Mbit/s".



---

## Annex G (informative): Change History

Version	Information about changes
V4.2.1	<p>The following substantial changes have been made:</p> <ul style="list-style-type: none"><li>• the 'Synchronization port' test case has been removed because this feature eases the external handover, but has no influence on the spectral efficiency of the equipment;</li><li>• the 'Equipment identity verification/safeguards' test case has been removed because this feature improves the identification of the device, but has no influence on the spectral efficiency of the equipment.</li></ul>
V4.2.2	<p>Version containing editorial changes only. Major changes are:</p> <ul style="list-style-type: none"><li>• clause 4.4.7 has been deleted;</li><li>• clause 5.3.1 has been shortened;</li><li>• table 27 has been clarified.</li></ul>

---

# History

<b>Document history</b>		
V1.1.1	January 2002	Publication
V2.1.1	December 2003	Publication
V4.1.1	July 2009	Publication
V4.2.1	October 2015	Publication
V4.2.2	November 2016	Publication