

ETSI EN 301 360 V1.1.3 (2001-09)

Candidate Harmonized European Standard (Telecommunications series)

**Satellite Earth Stations and Systems (SES);
Harmonized EN for Satellite Interactive Terminals (SIT)
and Satellite User Terminals (SUT)
transmitting towards geostationary satellites
in the 27,5 GHz to 29,5 GHz frequency bands
covering essential requirements
under article 3.2 of the R&TTE Directive**



Reference

DEN/SES-00028

Keywords

earth station, BSS, FSS, satellite, regulation

ETSI

650 Route des Lucioles
F-06921 Sophia Antipolis Cedex - FRANCE

Tel.: +33 4 92 94 42 00 Fax: +33 4 93 65 47 16

Siret N° 348 623 562 00017 - NAF 742 C
Association à but non lucratif enregistrée à la
Sous-Préfecture de Grasse (06) N° 7803/88

Important notice

Individual copies of the present document can be downloaded from:

<http://www.etsi.org>

The present document may be made available in more than one electronic version or in print. In any case of existing or perceived difference in contents between such versions, the reference version is the Portable Document Format (PDF). In case of dispute, the reference shall be the printing on ETSI printers of the PDF version kept on a specific network drive within ETSI Secretariat.

Users of the present document should be aware that the document may be subject to revision or change of status. Information on the current status of this and other ETSI documents is available at

<http://portal.etsi.org/tb/status/status.asp>

If you find errors in the present document, send your comment to:

editor@etsi.fr

Copyright Notification

No part may be reproduced except as authorized by written permission.
The copyright and the foregoing restriction extend to reproduction in all media.

© European Telecommunications Standards Institute 2001.
All rights reserved.

Contents

Intellectual Property Rights	6
Foreword.....	6
Introduction	7
1 Scope	9
2 References	10
3 Definitions, symbols and abbreviations	10
3.1 Definitions	10
3.2 Abbreviations	11
4 Technical requirements specifications	12
4.1 Environmental profile.....	12
4.2 Conformance requirements	12
4.2.1 General.....	12
4.2.2 Off-axis spurious radiation	12
4.2.2.1 Purpose.....	12
4.2.2.2 Specification.....	12
4.2.2.3 Conformance tests.....	13
4.2.3 On-axis spurious radiation	14
4.2.3.1 Purpose.....	14
4.2.3.2 Specification.....	14
4.2.3.2.1 "Carrier-on" state.....	14
4.2.3.2.2 "Carrier-off" and "Transmission disabled" state.....	14
4.2.3.3 Conformance tests.....	14
4.2.4 Off-axis EIRP emission density within the band	14
4.2.4.1 Purpose.....	14
4.2.4.2 Specification.....	15
4.2.4.3 Conformance tests.....	16
4.2.5 Carrier suppression	16
4.2.5.1 Purpose.....	16
4.2.5.2 Specification.....	16
4.2.5.3 Conformance tests.....	16
4.2.6 Antenna pointing accuracy	16
4.2.6.1 Purpose.....	16
4.2.6.2 Specification.....	17
4.2.6.3 Conformance tests.....	17
4.2.7 Control and Monitoring Functions (CMF).....	17
4.2.7.1 General	17
4.2.7.2 Processor monitoring	18
4.2.7.2.1 Purpose	18
4.2.7.2.2 Specification	19
4.2.7.2.3 Conformance tests	19
4.2.7.3 Transmit subsystem monitoring	19
4.2.7.3.1 Purpose	19
4.2.7.3.2 Specification	19
4.2.7.3.3 Conformance tests	19
4.2.7.4 Power-on/Reset	19
4.2.7.4.1 Purpose	19
4.2.7.4.2 Specification	19
4.2.7.4.3 Conformance tests	19
4.2.7.5 Control Channel (CC) reception	19
4.2.7.5.1 Purpose	19
4.2.7.5.2 Specification	20
4.2.7.5.3 Conformance tests	20
4.2.7.6 Network control commands	20

4.2.7.6.1	Purpose	20
4.2.7.6.2	Specification	20
4.2.7.6.3	Conformance test.....	20
4.2.7.7	Initial burst transmission	20
4.2.7.7.1	Purpose	20
4.2.7.7.2	Specification	20
4.2.7.7.3	Conformance tests	21
5	Testing for compliance with technical requirements.....	21
5.1	Environmental conditions for testing	21
5.2	Essential radio test suites.....	21
6	Test method.....	21
6.1	General	21
6.2	Off-axis spurious radiation	22
6.2.1	Test method	22
6.2.2	Up to 1 000 MHz	22
6.2.2.1	Test site	22
6.2.2.2	Measuring receivers	23
6.2.2.3	Procedure	23
6.2.3	Above 1 000 MHz	23
6.2.3.1	Identification of the significant frequencies of spurious radiation	23
6.2.3.1.1	Test site.....	23
6.2.3.1.2	Procedure.....	24
6.2.3.2	Measurement of radiated power levels of identified spurious radiation.....	24
6.2.3.2.1	Test site.....	24
6.2.3.2.2	Procedure.....	24
6.2.3.3	Measurement of conducted spurious radiation at the antenna flange.....	25
6.2.3.3.1	Test site.....	25
6.2.3.3.2	Procedure.....	26
6.3	On-axis spurious radiation.....	26
6.3.1	Test method	26
6.3.1.1	Test site	26
6.3.1.2	Method of measurement.....	26
6.3.1.2.1	General	26
6.3.1.2.2	Method of measurement at the antenna flange	26
6.3.1.2.3	Method of measurement for an EUT with antenna.....	27
6.4	Off-axis EIRP emission density within the band.....	28
6.4.0	General.....	28
6.4.1	Test method	28
6.4.1.1	Transmit output power density.....	29
6.4.1.1.1	Test site.....	29
6.4.1.1.2	Method of measurement	29
6.4.1.2	Antenna transmit gain	30
6.4.1.2.1	General	30
6.4.1.2.2	Test site.....	30
6.4.1.2.3	Method of measurement	30
6.4.1.3	Antenna transmit radiation patterns	31
6.4.1.3.1	General	31
6.4.1.3.2	Test site.....	31
6.4.1.3.3	Test arrangement	32
6.4.1.3.4	Co-polar radiation pattern - azimuth.....	32
6.4.1.3.5	Co-polar radiation pattern - elevation.....	32
6.4.1.3.6	Cross-polar radiation pattern - azimuth	33
6.4.1.3.7	Cross-polar radiation pattern - elevation	33
6.4.2	Computation of results.....	34
6.5	Carrier suppression.....	34
6.5.1	Test method	34
6.6	Antenna pointing for STs	34
6.6.1	Test method	34
6.7	ST Control and Monitoring Functions (CMF).....	35
6.7.0	General.....	35

6.7.1	Test arrangement	36
6.7.2	Processor monitoring - Test method	36
6.7.3	Transmit subsystem monitoring - Test method.....	37
6.7.4	Power-on/Reset - Test method.....	37
6.7.5	Control Channel (CC) reception - Test method	37
6.7.6	Network Control commands - Test method	38
6.7.7	Initial burst transmission - Test method.....	40
Annex A (normative):	The EN Requirements Table (EN-RT)	41
Annex B (informative):	Pointing stability methodology	42
Annex C (informative):	Bibliography	43
History		44

Intellectual Property Rights

IPRs essential or potentially essential to the present document may have been declared to ETSI. The information pertaining to these essential IPRs, if any, is publicly available for **ETSI members and non-members**, and can be found in ETSI SR 000 314: "*Intellectual Property Rights (IPRs); Essential, or potentially Essential, IPRs notified to ETSI in respect of ETSI standards*", which is available from the ETSI Secretariat. Latest updates are available on the ETSI Web server (<http://www.etsi.org/legal/home.htm>).

Pursuant to the ETSI IPR Policy, no investigation, including IPR searches, has been carried out by ETSI. No guarantee can be given as to the existence of other IPRs not referenced in ETSI SR 000 314 (or the updates on the ETSI Web server) which are, or may be, or may become, essential to the present document.

Foreword

This Candidate Harmonized European Standard (Telecommunications series) has been produced by ETSI Technical Committee Satellite Earth Stations and Systems (SES).

The present document has been produced by ETSI in response to a mandate from the European Commission issued under Council Directive 98/34/EC [3] (as amended) laying down a procedure for the provision of information in the field of technical standards and regulations.

The present document is intended to become a Harmonized Standard, the reference of which will be published in the Official Journal of the European Communities referencing the Directive 1999/5/EC [1] of the European Parliament and of the Council of 9 March 1999 on radio equipment and telecommunications terminal equipment and the mutual recognition of their conformity ("the R&TTE Directive").

Technical specifications relevant to Directive 1999/5/EC [1] are given in annex A.

National transposition dates	
Date of adoption of this EN:	31 August 2001
Date of latest announcement of this EN (doa):	30 November 2001
Date of latest publication of new National Standard or endorsement of this EN (dop/e):	31 May 2002
Date of withdrawal of any conflicting National Standard (dow):	31 May 2003

Introduction

ETSI has designed a modular structure for the standards. Each standard is a module in the structure. The modular structure is shown in figure 1.

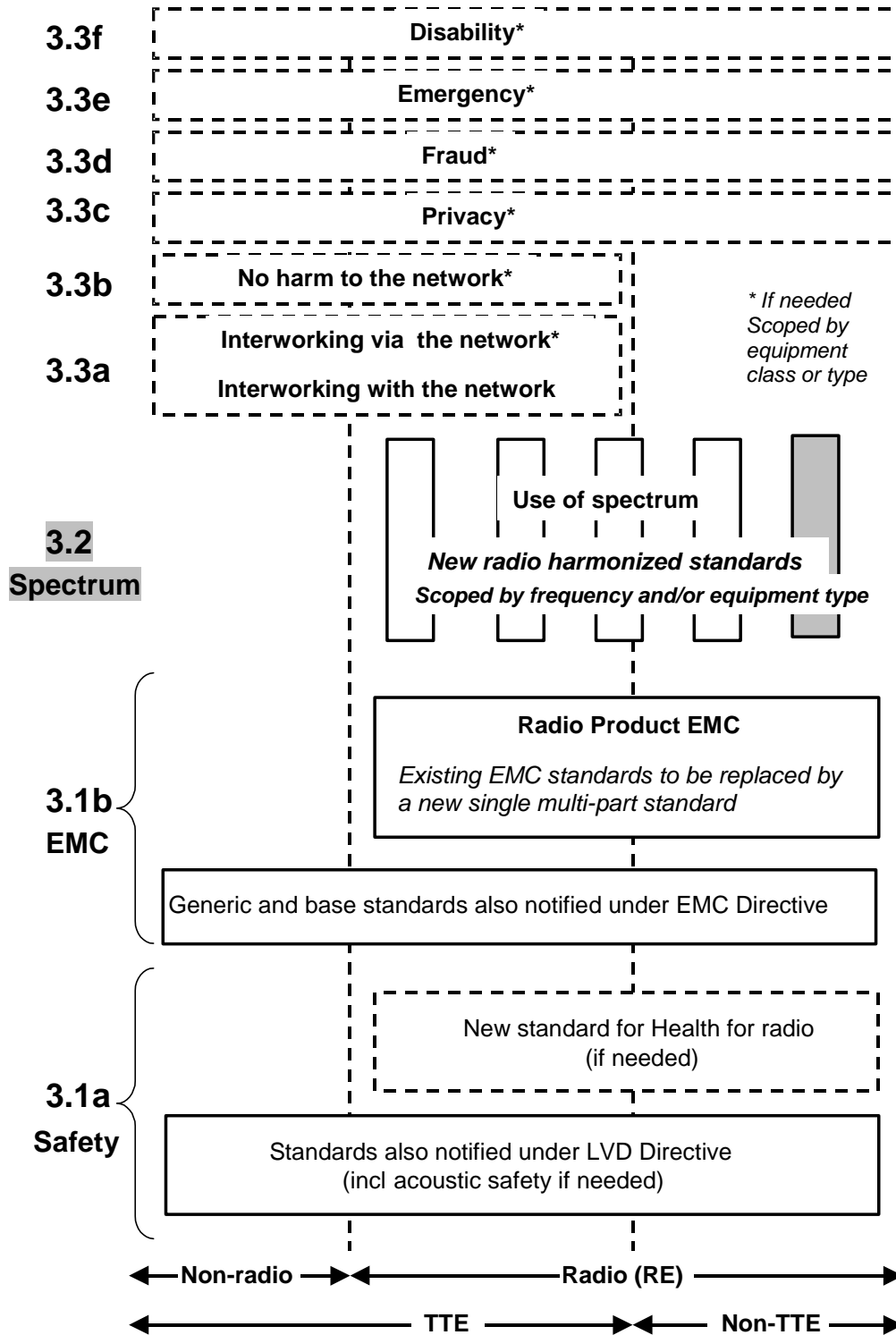


Figure 1: Modular structure for the various standards used under the R&TTE Directive

The left hand edge of the figure 1 shows the different clauses of article 3 of the R&TTE Directive [1].

For article 3.3 various horizontal boxes are shown. Dotted lines indicate that at the time of publication of the present document essential requirements in these areas have to be adopted by the Commission. If such essential requirements are adopted, and as far and as long as they are applicable, they will justify individual standards whose scope is likely to be specified by function or interface type.

The vertical boxes show the standards under article 3.2 for the use of the radio spectrum by radio equipment. The scopes of these standards are specified either by frequency (normally in the case where frequency bands are harmonized) or by radio equipment type.

For article 3.1b figure 1 shows the new single multi-part product EMC standard for radio, and the existing collection of generic and product standards currently used under the EMC Directive. The existing separate product EMC standards can be used until their dates of cessation of presumption of conformity published in the O.J.E.C. For article 3.1a figure 1 shows the existing safety standards currently used under the LV Directive and new standards covering human exposure to electromagnetic fields. New standards covering acoustic safety may also be required.

The bottom of the figure shows the relationship of the standards to radio equipment and telecommunications terminal equipment. A particular equipment may be radio equipment, telecommunications terminal equipment or both. A radio spectrum standard will apply if it is radio equipment. An article 3.3 standard will apply as well only if the relevant essential requirement under the R&TTE Directive [1] is adopted by the Commission and if the equipment in question is covered by the scope of the corresponding standard. Thus, depending on the nature of the equipment, the essential requirements under the R&TTE Directive [1] may be covered in a set of standards.

The modularity principle has been taken because:

- it minimizes the number of standards needed. Because equipment may, in fact, have multiple interfaces and functions it is not practicable to produce a single standard for each possible combination of functions that may occur in an equipment;
- it provides scope for standards to be added:
 - under article 3.2 when new frequency bands are agreed; or
 - under article 3.3 should the Commission take the necessary decisions;without requiring alteration of standards that are already published;
- it clarifies, simplifies and promotes the usage of Harmonized Standards as the relevant means of conformity assessment.

The present document applies to Satellite Interactive Terminals (SITs) and Satellite User Terminals (SUTs) either for individual or collective use.

The present document deals with the specification defined to protect other users of the frequency spectrum, both satellite and terrestrial, from unacceptable interference.

The determination of the parameters of the user earth stations using a given geostationary satellite for the protection of the spectrum allocated to that satellite, is considered to be under the responsibility of the satellite operator or the satellite network operators.

The requirements have been selected to ensure an adequate level of compatibility with other radio services. The levels, however, do not cover extreme cases which may occur in any location but with a low probability of occurrence.

The present document may not cover those cases where a potential source of interference which is producing individually repeated transient phenomena or a continuous phenomena is present, e.g. a radar or broadcast site in the near vicinity. In such a case it may be necessary to use special protection applied to the source of interference, or the interfered part or both.

The present document does not contain any requirement, recommendation or information about the installation of SITs and SUTs.

1 Scope

The present document applies to Satellite Interactive Terminals (SIT) and Satellite User Terminals (SUT) operating as part of a bi-directional satellite network. Satellite Terminal (ST) is used in the present document as a generic name that refers equally to a SIT and/or a SUT.

In such a network a Network Control Facility (NCF) is responsible for the monitoring and control of the transmit functions of the STs. These STs have the following characteristics:

- in the case of SITs reception is in the Fixed Satellite Service (FSS) frequency ranges from 10,70 GHz to 11,70 GHz and from 12,50 GHz to 12,75 GHz as well as the Broadcast Satellite Service (BSS) frequency range from 11,70 GHz to 12,50 GHz;
- in the case of SUTs reception is in the Fixed Satellite Service (FSS) frequency ranges from 19,70 GHz to 20,20 GHz and from 17,70 GHz to 19,70 GHz as well as the Broadcast Satellite Service (BSS) frequency range from 21,40 GHz to 22,00 GHz;
- in all cases ST transmission is in the frequency band allocated to FSS from 27,50 GHz to 29,50 GHz;
- STs transmit towards geostationary satellites with spacing down to 2° away from any other geostationary satellite operating in the same frequency band and covering the same area;
- linear or circular polarization is used for transmission or reception;
- the received signals may be analogue and/or digital;
- the transmitted signals are always of digital nature;
- the ST antenna diameter does not exceed 1,8 m, or equivalent corresponding aperture;
- the ST is designed for unattended operations.

The equipment considered in the present document comprises both the outdoor unit, usually composed of the antenna subsystem and associated upconverter, power amplifier and Low Noise Block (LNB) downconverter, and the indoor unit, usually composed of receive and transmit logic as well as the modulator, including cables between these two units.

The present document applies to the ST with its ancillary equipment and its various ports and when operated within the boundary limits of all the operational environmental profile declared by the applicant and when installed as required by the applicant by declaration or in the user documentation.

All parts of the indoor unit related to reception, processing and presentation of the received information except the control channel are not within the scope of the present document. The syntax of the control channel messages is outside the scope of the present document.

The present document is intended to cover the provisions of Directive 1999/5/EC [1] (R&TTE Directive) article 3.2, which states that "... radio equipment shall be so constructed that it effectively uses the spectrum allocated to terrestrial/space radio communications and orbital resources so as to avoid harmful interference".

In addition to the present document, other ENs that specify technical requirements in respect of essential requirements under other parts of article 3 of the R&TTE Directive [1] may apply to equipment within the scope of the present document.

NOTE: A list of such ENs is included on the web site <http://www.newapproach.org/>.

2 References

The following documents contain provisions which, through reference in this text, constitute provisions of the present document.

- References are either specific (identified by date of publication, edition number, version number, etc.) or non-specific.
- For a specific reference, subsequent revisions do not apply.
- For a non-specific reference, the latest version applies.

- [1] Directive 1999/5/EC of the European Parliament and of the Council of 9 March 1999 on radio equipment and telecommunications terminal equipment and the mutual recognition of their conformity.
- [2] CISPR 16-1: "Specification for radio disturbance and immunity measuring apparatus and methods Part 1: Radio disturbance and immunity measuring apparatus".
- [3] Directive 98/34/EC of the European Parliament and of the Council of 22 June 1998 laying down a procedure for the provision of information in the field of technical standards and regulations.

3 Definitions, symbols and abbreviations

3.1 Definitions

For the purpose of the present document, the terms and definitions given in the R&TTE Directive [1], and the following apply:

ancillary equipment: equipment used in connection with a ST is considered as ancillary if the three following conditions are met:

- a) the equipment is intended for use in conjunction with the ST to provide additional operational and/or control features; and
- b) the equipment can not be used on a stand alone basis, to provide user functions independently of the ST; and
- c) the absence of the equipment does not inhibit the operation of the ST.

applicant: manufacturer or his authorized representative within the European Community or the person responsible for placing the apparatus on the market

carrier-off state: a ST is in this state when it is authorized by the Network Control Facility (NCF) to transmit, but when it does not transmit any signal

NOTE 1: The existence of a carrier-off state depends on the system of transmission used. For STs designed for continuous transmission mode there may be no carrier-off state.

carrier-on state: a ST is in this state when it is authorized by the NCF to transmit and when it transmits a signal in a continuous or non-continuous mode

Control Channel (CC): channel or channels by which STs receive control information from the NCF for their network. Typically the CC(s) is/are carried via the same or collocated satellite as used for transmission of user data and within the internal protocol structure of the broadcast system

EIRP_{max}: maximum EIRP capability of the ST as declared by the applicant

EIRP_{nom}: either

- i. EIRP_{max};
- ii. or, when uplink power control is implemented, the maximum required EIRP of the ST under clear sky condition as declared by the applicant

environmental profile: range of environmental conditions under which equipment within the scope of the present document is required to comply with the provisions of the present document

indoor unit: it is composed of that part of the ST which is not part of the outdoor unit. It is generally installed inside a building and is connected to the outdoor unit

integral antenna: antenna which may not be removed during the tests according to the applicant's statement

nominated bandwidth: bandwidth of the ST radio frequency transmission is nominated by the applicant. The nominated bandwidth does not exceed 5 times the occupied bandwidth

NOTE 2: The nominated bandwidth is wide enough to encompass all spectral elements of the transmission which have a level greater than the specified spurious radiation limits. The nominated bandwidth is wide enough to take account of the transmit carrier frequency stability. This definition is chosen to allow flexibility regarding adjacent channel interference levels which will be taken into account by operational procedures depending on the exact transponder carrier assignment situation.

occupied bandwidth: width of the signal spectrum 10 dB below the maximum inband density

outdoor unit: part of the ST intended to be installed outdoor, as declared by the applicant, or as indicated in the user documentation

The outdoor unit usually comprises of three main parts:

- a) the antenna sub-system which converts the incident radiation field into a guided wave and vice versa;
- b) the Low Noise Block (LNB) downconverter, which is a device that amplifies, with very low internal noise, the received signals in the Radio Frequency (RF) band and converts them to Intermediate Frequencies (IF);
- c) the upconverter and the power amplifier which convert from the IF to RF and amplify the low level RF signals for transmission through the antenna subsystem.

NOTE 3: The installation equipment is outside the scope of the present document. However, the antenna structures and other components directly mounted on the antenna and forming an integral part of it, are subject to the specifications of the present document.

removable antenna: antenna which may be removed during the tests according to the applicant's statement

spurious radiation: any radiation outside the nominated bandwidth

transmission disabled state: ST is in this state when it is not authorized by the NCF to transmit

3.2 Abbreviations

For the purpose of the present document, the following abbreviations apply:

CC	Control Channel
CCF	Control Channel Reception Failure
CCR	Control Channel correctly Received
CDMA	Code Division Multiple Access
CISPR	Comité International Spécial des Perturbations Radioélectriques (International Special Committee on Radio Interference)
CMF	Control and Monitoring Functions
EIRP	Equivalent Isotropically Radiated Power
EUT	Equipment Under Test
FEC	Forward Error Correction
FSS	Fixed Satellite Service

GSO	Geostationary Satellite Orbit
IF	Intermediate Frequencies
LNB	Low Noise Block downconverter
LO	Local Oscillator
NCF	Network Control Facility
R&TTE	Radio and Telecommunications Terminal Equipment
RF	Radio Frequency
SIT	Satellite Interactive Terminal
SMF	System Monitoring Fail
SMP	System Monitoring Pass
ST	Satellite Terminal
STE	Special Test Equipment
SUT	Satellite User Terminal
TDMA	Time Division Multiple Access
TxD	Transmission Disable command
TxE	Transmission Enable command

4 Technical requirements specifications

4.1 Environmental profile

The technical requirements of the present document apply under the environmental profile for operation of the equipment, which shall be declared by the applicant. The equipment shall comply with all the technical requirements of the present document at all times when operating within the boundary limits of the declared operational environmental profile.

The environmental profile for operation of the equipment shall include the ranges of humidity, temperature and supply voltage.

4.2 Conformance requirements

4.2.1 General

Under operational conditions a ST may dynamically change the occupied bandwidth of the transmitted signal. For each occupied bandwidth an $EIRP_{max}$, an $EIRP_{nom}$ and a nominated bandwidth shall be declared by the applicant. The following specifications apply to the ST for each occupied bandwidth.

4.2.2 Off-axis spurious radiation

4.2.2.1 Purpose

To limit the level of interference to terrestrial and satellite radio services.

4.2.2.2 Specification

The following specifications apply to the ST transmitting at EIRP values up to and including $EIRP_{max}$.

- 1) The ST shall not exceed the limits for radiated interference field strength over the frequency range from 30 MHz to 1 000 MHz specified in table 1.

Table 1: Limits of radiated field strength at a test distance of 10 m in a 120 kHz bandwidth

Frequency range (MHz)	Quasi-peak limits (dB μ V/m)
30 MHz to 230 MHz	30
230 MHz to 1 000 MHz	37

The lower limits shall apply at the transition frequency.

- 2) When the ST is in the "Transmission disabled" state, the off-axis spurious radiation from the ST, in any 100 kHz band, shall not exceed the limits in table 2, for all off-axis angles greater than 7°.

Table 2: Limits of spurious radiation - "Transmission disabled" state

Frequency band	EIRP limit (dBpW)
1,0 GHz to 2,0 GHz	42
2,0 GHz to 10,7 GHz	48
10,7 GHz to 21,2 GHz	54
21,2 GHz to 40 GHz	60

The lower limits shall apply at the transition frequency.

- 3) The present document applies outside the nominated bandwidth. For both the "Carrier-on" and "Carrier-off" states, the off-axis EIRP of spurious radiation in the specified measurement bandwidth from the ST, shall not exceed the limits in table 3, for all off-axis angles greater than 7°.

Table 3: Limits of spurious radiation

Frequency band	EIRP limit (dBpW)	Measurement bandwidth
1,0 GHz to 2,0 GHz	43	100 kHz
2,0 GHz to 3,4 GHz	49	100 kHz
3,4 GHz to 10,7 GHz	55	100 kHz
10,7 GHz to 21,2 GHz	61	100 kHz
21,2 GHz to 27,35 GHz	67	100 kHz
27,35 GHz to 27,50 GHz	85 (see note 1)	1 MHz
27,50 GHz to 29,50 GHz	85 (see notes 1 and 2)	1 MHz
30,00 GHz to 30,15 GHz	85 (see note 1)	1 MHz
30,15 GHz to 40,00 GHz	67	100 kHz
NOTE 1: This limit may be exceeded in a frequency band which shall not exceed 50 MHz, centred on the carrier frequency, provided that the on-axis EIRP density measured in 100 kHz at the frequency of the considered spurious is 50 dB below the maximum on-axis EIRP density of the signal measured in 100 kHz.		
NOTE 2: This limit may not apply in frequency bands exclusively designated to FSS in regions where those bands have been adopted.		

The lower limits shall apply at the transition frequency.

In the frequency band of 21,2 GHz to 27,35 GHz, for any 20 MHz band within which one or more spurious signals exceeding 67 dBpW/100 kHz are present, then the power of each of those signals exceeding the limit shall be added in Watts, and the sum shall not exceed 75 dBpW.

For STs designed to transmit simultaneously several different carriers (multicarrier operation), the above limits apply to each individual carrier when transmitted alone.

- 4) These limits are applicable to the complete ST equipment, comprising of the indoor and outdoor units with at least 10 m of cable connecting them.

4.2.2.3 Conformance tests

Conformance tests shall be carried out in accordance with clause 6.2.

4.2.3 On-axis spurious radiation

4.2.3.1 Purpose

To limit the level of interference to satellite radio services.

4.2.3.2 Specification

4.2.3.2.1 "Carrier-on" state

The following specification applies to the ST transmitting at EIRP values up to $EIRP_{nom}$. For EIRPs above $EIRP_{nom}$ (when uplink power control is implemented) the limits below may be exceeded by the difference in dB between the current EIRP and $EIRP_{nom}$.

In the 27,5 GHz to 29,5 GHz band the EIRP spectral density of the spurious radiation outside the nominated bandwidth shall not exceed $4 - 10 \log M$ dBW in any 100 kHz band. In any 20 MHz within one or more spurious signals exceeding 4 dBW/100 kHz are present, then the power of each of those signals exceeding the limits shall be added in Watts, and the sum shall not exceed 10 dBW.

NOTE 1: Some satellite operators may require more stringent limits.

In a bandwidth of 5 times the occupied bandwidth centred on the carrier centre frequency, the EIRP spectral density of the spurious radiation outside the nominated bandwidth, shall not exceed $18 - 10 \log M$ dBW in any 100 kHz band.

M is the maximum number of STs which are expected to transmit simultaneously in the same carrier frequency band. This number shall not be exceeded for more than 0,01 % of the time. The value of M and the operational conditions of the system shall be declared by the applicant.

NOTE 2: The on-axis spurious radiation, outside the 27,5 GHz to 29,5 GHz band, are indirectly limited by clause 4.2.2.2. Consequently no specification is needed.

NOTE 3: Intermodulation limits inside the band 27,5 GHz to 29,5 GHz are to be determined by system design and are subject to satellite operator specifications.

For ST designed to transmit simultaneously several different carriers (multicarrier operation), the above limits only apply to each individual carrier when transmitted alone.

4.2.3.2.2 "Carrier-off" and "Transmission disabled" state

In the 27,5 GHz to 29,5 GHz band the EIRP spectral density of the spurious radiation outside the nominated bandwidth shall not exceed -21 dBW in any 100 kHz band.

NOTE: Some satellite operators may require more stringent limits.

4.2.3.3 Conformance tests

Conformance tests shall be carried out in accordance with clause 6.3.

4.2.4 Off-axis EIRP emission density within the band

4.2.4.1 Purpose

Protection of other satellite (uplink) systems.

4.2.4.2 Specification

The following specifications apply to the ST transmitting at EIRP values up to $EIRP_{max}$.

The maximum EIRP in any 40 kHz band within the nominated bandwidth for each of the co-polarized components in any direction ϕ degrees from the antenna main beam axis shall not exceed the following limits:

$19 - 25 \log \phi - 10 \log N$	dBW	for	$1,8^\circ$	\leq	$\phi \leq 7,0^\circ$;
$-2 - 10 \log N$	dBW	for	$7,0^\circ$	$<$	$\phi \leq 9,2^\circ$;
$22 - 25 \log \phi - 10 \log N$	dBW	for	$9,2^\circ$	$<$	$\phi \leq 48^\circ$;
$-10 - 10 \log N$	dBW	for			$\phi > 48^\circ$.

Where ϕ is the angle, in degrees, between the main beam axis and the direction considered. For systems in which more than one ST is expected to transmit simultaneously in the same 40 kHz band, e.g. for systems employing CDMA, the maximum EIRP values above are decreased by $10 \log N$ dB, where N is the number of STs in the receive beam of the satellite to which these STs are communicating and which are expected to transmit simultaneously in the same frequency within that beam. This number shall be declared by the applicant.

NOTE: $N = 1$ in a TDMA system.

In addition the maximum EIRP in any 40 kHz band within the nominated bandwidth of each of the cross-polarized components in any direction ϕ degrees from the antenna main beam axis shall not exceed the following limits:

$9 - 25 \log \phi - 10 \log N$	dBW	for	$1,8^\circ$	\leq	$\phi \leq 7,0^\circ$;
$-12 - 10 \log N$	dBW	for	$7,0^\circ$	$<$	$\phi \leq 9,2^\circ$,

where ϕ and N are as defined above. For non-continuous transmission, the above limits may not apply for a specific portion of each burst as declared by the applicant. This excluded portion shall not exceed 50 μ sec or 10 % of the burst, whichever is the smaller.

The excluded portion shall have characteristics similar to the remaining part of the burst:

- same symbol rate and modulation; and
- same or lower maximum amplitude.

In the case of STs employing uplink power control, the above limits, for co-polar and cross-polar components, shall apply under clear-sky conditions and these limits include all additional margins above the minimum clear-sky level necessary for the implementations of uplink power control. For STs implementing uplink power control, the above limits may be exceeded by up to A dB during fade conditions, where A is the attenuation of the transmit signal relative to clear sky conditions.. The above limits shall not be exceeded by more than 13 dB.

For antennas that comply with the above specifications over a limited range of planes containing the main beam axis, the following additional specifications shall apply:

- a) the range of planes over which the antenna complies with the above specifications shall be identified on the antenna. The antenna shall be capable of having the plane defined by the antenna main beam axis and the tangent to the Geostationary Satellite Orbit, adjusted to at least one plane within that range of planes with a tolerance of $\pm 0,5^\circ$;
- b) when any plane within this range of planes, is aligned with the Geostationary Satellite Orbit :
 - all of the above EIRP limits for copolarized and cross-polar components shall apply to east-west offset angles along the Geostationary Satellite Orbit (GSO) greater than $1,8^\circ$ and lower than 10° , and for north-south offset angles from the GSO lower than 3° . See figure 2 (Sector 1);
 - for east-west offset angles along the Geostationary Satellite Orbit (GSO) greater than 10° and for north-south offset angles from the GSO lower than 3° , the above EIRP limits may be exceeded by 3 dB provided that the total angular range over which this occurs does not exceed 20° when measured along both sides of the Geostationary Satellite Orbit (i.e. 340°). See figure 2 (Sector 2);

- for any other direction the above EIRP limits may be exceeded by 3 dB for off-axis angles greater than $3,5^\circ$ and the above EIRP limits shall not apply for off-axis angles lower than $3,5^\circ$. See figure 2 (Sector 3).

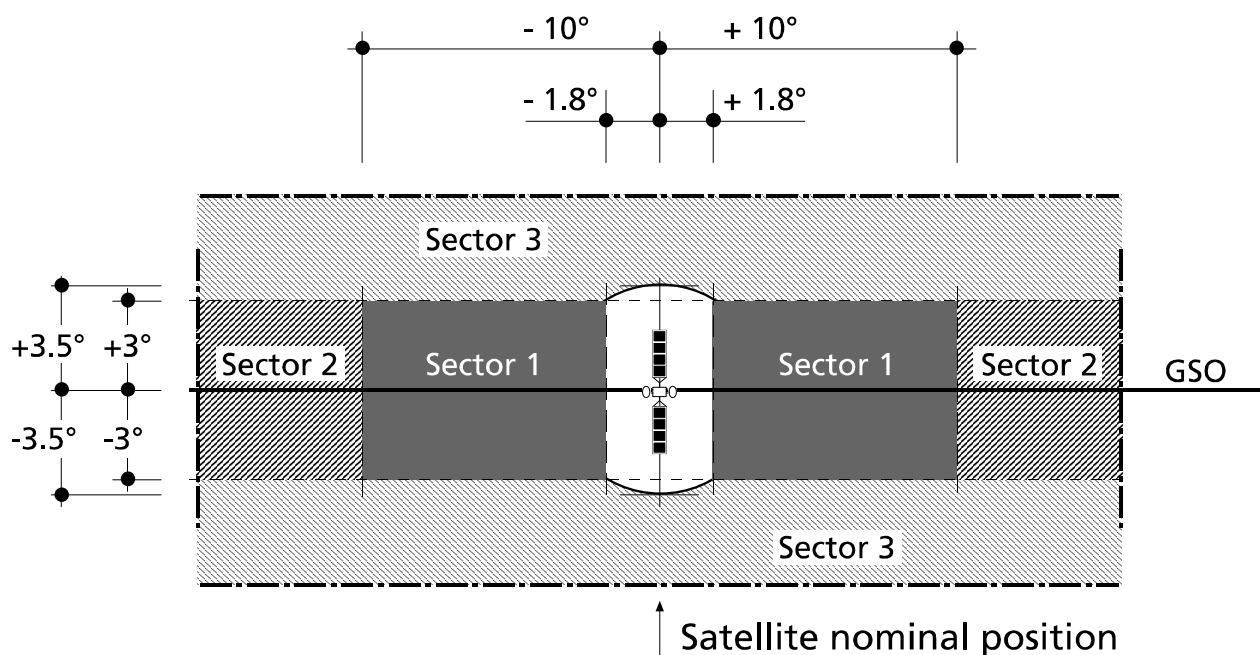


Figure 2: Different sectors for off-axis EIRP limits

4.2.4.3 Conformance tests

Conformance tests shall be carried out in accordance with clause 6.4.

4.2.5 Carrier suppression

4.2.5.1 Purpose

To allow for the satisfactory suppression of transmissions of a ST by the NCF.

4.2.5.2 Specification

When the ST is in the "Transmission disabled" state the on-axis EIRP shall not exceed 4 dBW in any 100 kHz band within the nominated bandwidth.

4.2.5.3 Conformance tests

Conformance tests shall be carried out in accordance with clause 6.5.

4.2.6 Antenna pointing accuracy

4.2.6.1 Purpose

Protection of signals to and from the same and adjacent satellites.

4.2.6.2 Specification

a) Pointing stability:

Under the condition of 100 km/h maximum wind speed, with gusts of 130 km/h lasting 3 seconds, the installation shall not show any sign of permanent distortion and shall not need repointing after the application of the wind load.

b) Pointing accuracy capability:

The applicant shall declare the usage area in terms of the range of latitude and longitude relative to the satellite orbital position where the alignments specified below are possible.

Specification 1: Main beam pointing accuracy.

The antenna sub-system alignment facilities shall enable the main beam axis to be adjusted and fixed with a pointing accuracy ($\delta\phi$) of either:

- 1) 0,1°; or
- 2) a greater value declared by the applicant, subject to the following restrictions:
 - the pointing accuracy ($\delta\phi$) shall not exceed 30 % of the antenna transmit main beam half power beamwidth;
 - the off-axis EIRP emission density pattern remains within the mask specified in clause 4.2.4.2 when shifted by an angle of $\pm(\delta\phi - 0,1^\circ)$.

Specification 2: Alignment with the geostationary satellite orbit.

For antennas designed for minimum off-axis gain along the geostationary satellite orbit, the antenna shall be capable of having the plane defined by the antenna main beam axis and the tangent to the geostationary arc, adjusted to at least one plane within the range of planes identified in clause 4.2.4.2 with a tolerance of $\pm 0,5^\circ$.

c) Polarization angle alignment capability for linear polarization:

The polarization angle shall be continuously adjustable within the operational range as declared by the applicant.

It shall be possible to fix the transmit antenna polarization angle with an accuracy of at least 1° .

When transmission and reception is with linear polarization receive and corresponding transmit polarization planes shall not deviate by more than 1° from the nominal value declared by the applicant.

4.2.6.3 Conformance tests

Conformance tests shall be carried out in accordance with clauses 6.6 and 6.4.

4.2.7 Control and Monitoring Functions (CMF)

4.2.7.1 General

The following minimum set of CMFs shall be implemented in STs in order to minimize the probability that they originate unwanted transmissions that may give rise to harmful interference to other systems.

For the purpose of the present document the states of the ST are:

- "Non valid";
- "Initial phase";
- "Transmission disabled"; and
- "Transmission enabled".

In the "Non-valid" state and in the "Transmission disable" state the ST shall not transmit. In the "Transmission-enabled" state the ST is allowed to transmit. In the "Initial phase" state the ST is only allowed to transmit initial bursts.

Under any fault condition when the ST transmissions are being suppressed the EIRP limits for the "Transmission disabled" state shall apply.

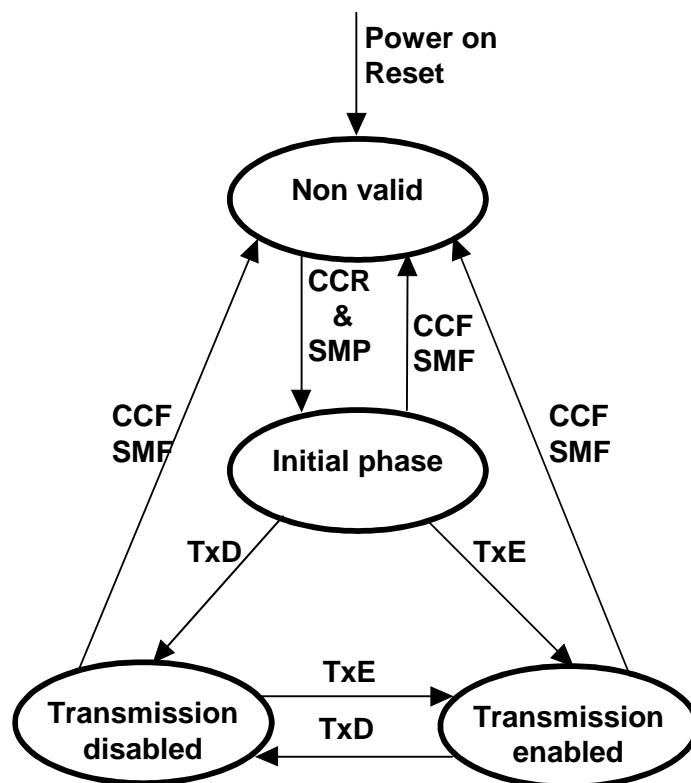


Figure 3: State transition diagram of the control and monitoring function of a ST

SMP: System Monitoring Pass;

SMF: System Monitoring Fail;

TxE: Transmission Enable command;

TxD: Transmission Disable command;

CCR: Control Channel correctly Received;

CCF: Control Channel Reception Failure.

NOTE: From "Transmission disabled" state a TxE command may also result in a transition towards the "Initial phase" state.

When the ST transmits several carriers having different frequencies, a ST state machine as described above may be associated with each carrier or each set of carriers. The events then apply to the subsystem associated with the specific carrier or the specific set of carriers, rather than the whole ST.

4.2.7.2 Processor monitoring

4.2.7.2.1 Purpose

To ensure that the ST can suppress transmissions in the event of a processor sub-system failure.

4.2.7.2.2 Specification

The ST shall incorporate a processor monitoring function for each of its processors involved in the manipulation of traffic and in Control and Monitoring Functions (CMF).

The processor monitoring function shall detect failures of the processor hardware and software.

No later than 10 seconds after any fault condition occurs, the ST shall enter the "Non valid" state until the processor monitoring function has determined that all fault conditions have been cleared.

4.2.7.2.3 Conformance tests

Conformance tests shall be carried out in accordance with clause 6.7.2.

4.2.7.3 Transmit subsystem monitoring

4.2.7.3.1 Purpose

To ensure the inhibition of transmissions that are potentially harmful to other systems in the event of incorrect operation of the transmit frequency generation sub-system.

4.2.7.3.2 Specification

The ST shall monitor the operation of its transmit frequency generation sub-system and shall be able to detect:

- 1) Loss of frequency lock (if applicable);
- 2) Absence of Local Oscillator (LO) output signal.

No later than 1 second after any of these fault conditions of the transmit frequency generation sub-system occurs, the ST shall enter the "Non-valid" state until the transmit sub-system monitoring function has determined that all fault conditions have been cleared.

4.2.7.3.3 Conformance tests

Conformance tests shall be carried out in accordance with clause 6.7.3.

4.2.7.4 Power-on/Reset

4.2.7.4.1 Purpose

To demonstrate that the ST achieves a controlled non-transmitting state following the powering of the unit, or the occurrence of a reset made by a local operator when this function is implemented.

4.2.7.4.2 Specification

Following a manual reset, when this function is implemented, the ST shall enter the "Non-valid" state.

During and following "power-on" the ST shall remain in the "Non-valid" state.

4.2.7.4.3 Conformance tests

Conformance tests shall be carried out in accordance with clause 6.7.4.

4.2.7.5 Control Channel (CC) reception

4.2.7.5.1 Purpose

To ensure that the ST cannot transmit unless it correctly receives the CC messages from the NCF.

4.2.7.5.2 Specification

The ST shall enter the "Non-valid" state immediately after a period not exceeding 10 seconds without correct reception of the CC from the NCF.

The ST shall remain in the "Non-valid" state as long as the CC messages from the NCF are not received.

From the "Non-valid" state the ST may enter the "Initial phase" state if the following conditions are met:

- the CC messages from the NCF are correctly received; and
- no fault conditions are present.

4.2.7.5.3 Conformance tests

Conformance tests shall be carried out in accordance with clause 6.7.5.

4.2.7.6 Network control commands

4.2.7.6.1 Purpose

These requirements ensure that the ST is capable of:

- a) retaining a unique identification in the network;
- b) receiving commands from the NCF through its CC(s) and executing those commands.

4.2.7.6.2 Specification

The ST shall hold, in non-volatile memory, its unique identification code in the network.

The ST shall be capable of receiving through its CCs dedicated messages (addressed to the ST) from the NCF, and which contain:

- transmission enable commands;
- transmission disable commands.

From "Initial phase" or "Transmission enabled" states once a transmission disable command is received, within 10 seconds the ST shall enter into, and shall remain in, the "Transmission disabled" state until the transmission disable command is superseded by a subsequent transmission enable command.

4.2.7.6.3 Conformance test

Conformance tests shall be carried out in accordance with clause 6.7.6.

4.2.7.7 Initial burst transmission

4.2.7.7.1 Purpose

Restriction on the initial burst transmission is necessary to limit disturbance to other services.

4.2.7.7.2 Specification

For systems where no transmission enable command is foreseen without request from the ST, in the "Initial phase" state the ST may transmit initial bursts.

- a) The duty cycle of the burst retransmission shall not exceed 0,2 %.
- b) Each burst shall not carry more than 256 data bytes excluding the burst preambles and the FEC coding bits.

4.2.7.7.3 Conformance tests

Conformance tests shall be carried out in accordance with clause 6.7.7.

5 Testing for compliance with technical requirements

5.1 Environmental conditions for testing

Tests defined in the present document shall be carried out at representative points within the boundary limits of the declared operational environmental profile.

5.2 Essential radio test suites

The essential radio test suites for a ST are given in clause 6.

6 Test method

6.1 General

The values of measurement uncertainty associated with each measurement parameter apply to all of the test cases described in the present document. The measurement uncertainties shall not exceed the values shown in tables 4 and 5.

Table 4: Measurement uncertainty

Measurement parameter	Uncertainty
Radio frequency	±10 kHz
RF power	±0,75 dB
Conducted spurious	±4 dB
Radiated spurious	±6 dB
Antenna on-axis gain	±0,5 dB
Polarization discrimination	±2 dB

Table 5: Measurement uncertainties for antenna gain pattern

Gain relative to the antenna on-axis gain	Uncertainty
> -3 dB	±0,3 dB
-3 dB to -20 dB	±1,0 dB
-20 dB to -30 dB	±2,0 dB
-30 dB to -40 dB	±3,0 dB

To enable the performance tests to be carried out the use of a NCF or a Special Test Equipment (STE), made available by the applicant or system provider, may be necessary. Since this STE will be specific for the particular system, it is not possible to provide detailed specifications in the present document. However, the following baseline is provided:

- since the ST requires to receive a data signal from the satellite in order to transmit, special test arrangements are required to simulate the satellite signal, thus enabling the ST to transmit allowing measurement of transmission parameters;
- any characteristic of these special test arrangements which may have direct or indirect effects on the parameters to be measured shall be clearly stated by the applicant.

The test procedures specified in clause 6 may be replaced by other equivalent procedures provided that the results are proven to be as accurate as these obtained according to the specified method.

All tests with carrier-on shall be undertaken with the transmitter operating at the maximum transmit burst rate, where applicable, which shall be declared by the applicant.

If the EUT is a ST that has had hardware and/or software modification(s) performed by the applicant for these tests then full documentation of such modification(s) shall be provided to prove that the modification(s) will simulate the required test condition. Such modification(s) shall be proved to allow the ST to operate without its main characteristics being changed.

The ST antenna shall not be rotated around its main beam axis.

All technical characteristics and operational conditions declared by the applicant shall be entered in the test report.

6.2 Off-axis spurious radiation

6.2.1 Test method

The tests for the specification in clause 4.2.2 shall be limited to the carrier-on state. The tests shall be undertaken with the transmitter operating at $EIRP_{max}$.

An EUT with antenna is a ST with its antenna comprising both the indoor and outdoor units interconnected by 10 m of cable. An EUT without antenna is a ST with the removable antenna removed. It comprises both the indoor and outdoor units, up to the antenna flange, interconnected by 10 m of cable. The connecting cable between the indoor and the outdoor units shall be of the same type as specified by the applicant in the installation manual. The type of cable used shall be entered in the test report.

The EUT shall be terminated with matched impedance at the terrestrial ports if recommended by the applicant in the user documentation and if there is no associated equipment connected to each port.

For frequencies up to 80 MHz the measuring antenna shall be a balanced dipole with a length equal to the 80 MHz resonant length and shall be matched to the feeder by a suitable balanced transforming device. Measurements with broad band antennas is also possible provided that the test site has been validated according to CISPR 16-1 [2].

For frequencies between 80 MHz and 1 000 MHz the measuring antenna shall be a balanced dipole which shall be resonant in length. Measurements with broad band antennas is also possible provided that the test site has been validated according to CISPR 16-1 [2].

For frequencies above 1 000 MHz the antenna shall be a horn radiator of known gain/frequency characteristics. When used for reception the antenna and any associated amplification system shall have an amplitude/frequency response within ± 2 dB of the combined calibration curves across the measurement frequency range considered for the antenna. The antenna is mounted on a support capable of allowing the antenna to be used in either horizontal or vertical polarization and at the specified height.

6.2.2 Up to 1 000 MHz

6.2.2.1 Test site

The test shall be performed either in an open area test site, a semi-anechoic chamber or an anechoic chamber. Ambient noise levels shall be at least 6 dB below the applicable unwanted emissions limit.

The open area test site shall be flat, free of overhead wires and nearby reflecting structures, sufficiently large to permit aerial placement at the specified measuring distance and provide adequate separation between aerial, test unit and reflecting structures, according to CISPR 16-1 [2].

For both the open area test site and the semi-anechoic chamber a metal ground plane shall be inserted on the natural ground plane and it shall extend at least 1 m beyond the perimeter of the EUT at one end and at least 1 m beyond the measurement antenna at the other end.

The distance between the EUT and measuring antenna should be 10 m. For measurements at a different distance an inverse proportionality factor of 20 dB per decade shall be used to normalize the measured data to the specified distance for determining compliance. Care should be taken in measurement of large test units at 3 m at frequencies near 30 MHz due to near field effects.

6.2.2.2 Measuring receivers

Measuring receivers shall conform to the following characteristics:

- the response to a constant amplitude sine wave signal shall remain within ± 1 dB across the frequency range of interest;
- quasi-peak detection shall be used in a -6 dB bandwidth of 120 kHz;
- the receiver shall be operated below the 1 dB compression point.

6.2.2.3 Procedure

- a) The EUT shall be an EUT with antenna or, preferably, without antenna but with the antenna flange terminated by a dummy load.
- b) The EUT shall be in the carrier-on state.
- c) The EUT shall be rotated through 360° and, except in an anechoic chamber, the measuring antenna shall be rotated and height varied from 1 m to 4 m above the ground plane to determine the maximum emission.
- d) All identified spurious radiation shall be measured and noted in frequency and level.

6.2.3 Above 1 000 MHz

The spectrum analyser resolution bandwidth shall be set to the specified measuring bandwidth or as close as possible. If the resolution bandwidth is different from the specified measuring bandwidth, bandwidth correction shall be performed for the noise-like wideband spurious.

For an EUT with antenna the tests shall be performed in two stages for both the carrier-on and carrier-off states:

- Procedure a): Identification of the significant frequencies of spurious radiation.
- Procedure b): Measurement of radiated power levels of identified spurious radiation.

For an EUT without antenna the tests shall be performed in three stages for both the carrier-on and carrier-off states:

- Procedure a): Identification of the significant frequencies of spurious radiation.
- Procedure b): Measurement of radiated power levels of identified spurious radiation.
- Procedure c): Measurement of conducted spurious radiation radiated through the antenna flange.

6.2.3.1 Identification of the significant frequencies of spurious radiation

6.2.3.1.1 Test site

The identification of frequencies emitting from the EUT shall be performed either in an anechoic chamber, an open area test site or a semi-anechoic chamber with the test antenna close to the EUT and at the same height as the volume centre of the EUT.

6.2.3.1.2 Procedure

- a) The EUT shall be in the carrier-off state.
- b) For an EUT with antenna the main beam of the antenna shall have an angle of elevation of 7° , and, for an EUT without antenna the antenna flange shall be terminated by a dummy load.
- c) The receivers shall scan the frequency band while the EUT revolves.
- d) The EUT shall be rotated through 360° and the frequency of any spurious signals noted for further investigation.
- e) For an EUT with antenna the test shall be repeated with the test antenna being in the opposite polarization.
- f) The test shall be repeated in the carrier-on state while transmitting one modulated carrier at maximum power.

6.2.3.2 Measurement of radiated power levels of identified spurious radiation

6.2.3.2.1 Test site

The measurement of each spurious radiation noted during procedure a) of the test shall be performed on a test site that is free from reflecting objects, i.e. either an open-area test site, a semi-anechoic chamber or an anechoic chamber.

6.2.3.2.2 Procedure

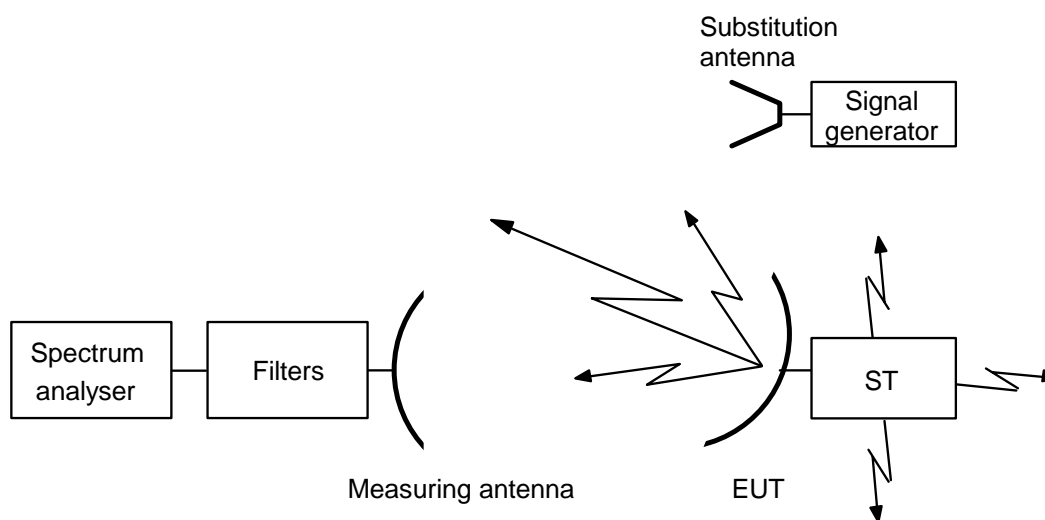


Figure 4: Test arrangement - Spurious radiation measurement above 1 000 MHz for an EUT with antenna

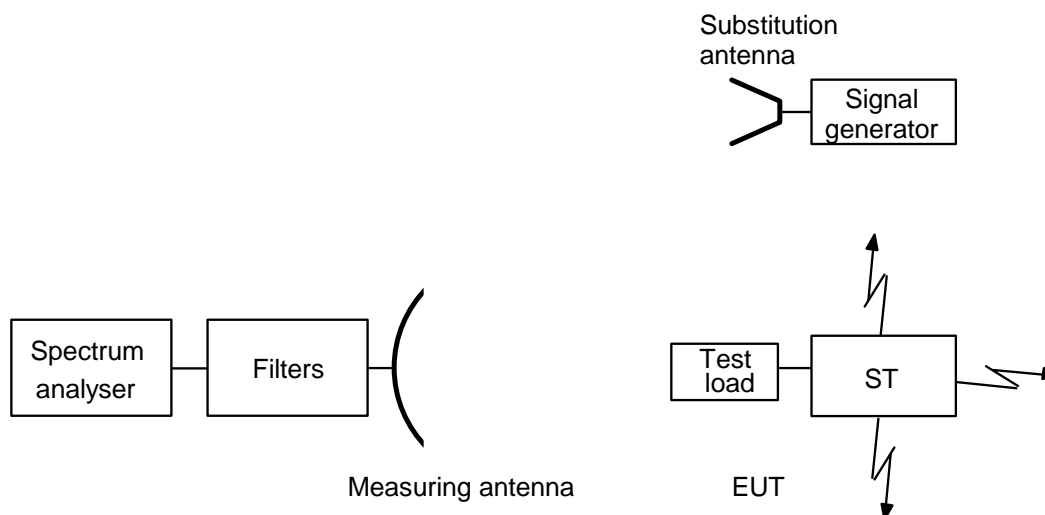


Figure 5: Test arrangement - spurious radiation measurements above 1 000 MHz for an EUT without antenna

- a) The test arrangement shall be as shown in figure 4 or 5.
- b) The EUT shall be installed such that the units are separated by about 1 m to 2 m with the indoor unit at a height between 0,5 m and 1,0 m on a turntable. The interconnection cable shall be supported by non-metallic means at a height between 0,5 m and 1,0 m. For the test arrangement shown in figure 4 the main beam of the antenna shall have an angle of elevation of 7° and be oriented away from the Geostationary Satellite Orbit, or be inhibited by placing RF absorbing panels in that direction.
- c) The measuring antenna shall be positioned at a distance from the EUT (e.g. 3 m, 5 m, 10 m) relevant to the applied test site. The measuring antenna shall be adjusted in height and the EUT rotated, while the EUT is in the appropriate carrier condition, for a maximum response on the associated spectrum analyser at each spurious frequency previously identified, this response level shall be noted. The adjustment in height of the measuring antenna does not apply when an anechoic chamber is being used. The measuring antenna shall never enter the 7° off-axis cone around the main beam direction.
- d) The investigation shall be repeated with the measuring antenna in the opposite polarization and the response level similarly noted.
- e) The EUT shall be replaced by the substitution antenna to which is connected a signal generator. The main beam axes of the measuring and substitution antennas shall be aligned. The distance between these antennas shall be the distance determined under test c).
- f) The substitution and measuring antennas shall be aligned in the polarization which produced the larger response between the EUT and the test antenna in steps c) and d).
- g) The output of the generator shall be adjusted so that the received level is identical to that of the previously noted largest spurious radiation.
- h) The output level of the signal generator shall be noted. The EIRP of the spurious radiation is the sum, in dB, of the signal generator output plus the substitution antenna isotropic gain minus the interconnection cable loss.

6.2.3.3 Measurement of conducted spurious radiation at the antenna flange

6.2.3.3.1 Test site

There are no requirements for the test site to be used for this test.

6.2.3.3.2 Procedure

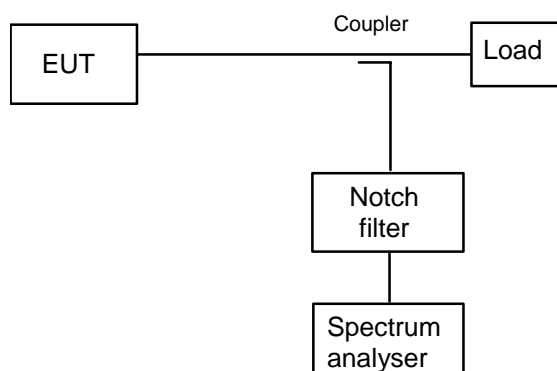


Figure 6: Test arrangement - conducted spurious radiation above the cut-off frequency

The test arrangement shall be as shown in figure 6 with the notch filter being optional. In order to protect the spectrum analyser while ensuring the necessary measurement accuracy, particularly close to the carrier, if a notch filter is used it shall be tuned to the transmit carrier frequency.

The frequency range from the cut-off frequency of the waveguide of the EUT to 40 GHz shall be investigated for spurious radiation while in the carrier-on state with the carrier being at maximum power and normally modulated.

To obtain the off-axis spurious EIRP the maximum measured antenna transmit gain, measured at the frequency of the identified unwanted emission, for off-axis angles greater than 7° , shall be added to the measured power density and any correction or calibration factors summated with the result. If agreed by the applicant, it shall be acceptable that the worst case value assumed (i.e. 8 dBi for off-axis angles greater than 7°) is used in place of the maximum off-axis antenna gain at the frequency of the identified unwanted emission.

The test shall be repeated in the carrier-off state.

6.3 On-axis spurious radiation

6.3.1 Test method

The tests shall be undertaken with the transmitter operating at $EIRP_{max}$.

6.3.1.1 Test site

There are no requirements for the test site to be used for this test.

6.3.1.2 Method of measurement

6.3.1.2.1 General

For ST equipment for which measurements at the antenna flange are possible and agreed by the applicant, the measurements shall be performed at the antenna flange.

For ST equipment for which measurements at the antenna flange are not possible or not agreed by the applicant, the measurements shall be performed with a test antenna. The EUT is the ST with its antenna comprising both the indoor and outdoor units interconnected by 10 m of cable.

6.3.1.2.2 Method of measurement at the antenna flange

- a) The test arrangement shall be as shown in figure 6 with the notch filter being optional. In order to protect the spectrum analyser while ensuring the necessary measurement accuracy, particularly close to the carrier, if a notch filter is used it shall be tuned to the transmit carrier frequency.

- b) The EUT shall transmit one modulated carrier continuously, or at its maximum burst rate where applicable, centred on a frequency as close to the lower limit of the operating frequency band of the EUT as possible. The EUT shall be operated at EIRP_{max}. The frequency range 27,50 GHz to 29,50 GHz shall be investigated.
- c) Due to the proximity of the carrier the spectrum analyser resolution bandwidth shall be set to a measurement bandwidth of 3 kHz, or as close as possible. If the measurement bandwidth is different from the specified measurement bandwidth, bandwidth correction shall be performed for noise-like wideband spurious radiation.
- d) To obtain the on-axis spurious EIRP, the antenna transmit gain shall be added to any figure obtained in the above measurement and any correction or calibration factor summated with the result. The antenna gain shall be as measured in clause 6.4.1.2 at the closest frequency to the spurious frequency.
- e) The tests in b) to e) shall be repeated with a transmit frequency in the centre of the operating frequency band.
- f) The tests in b) to e) shall be repeated with a transmit frequency as close to the upper limit of the operating frequency band of the EUT as possible.
- g) The tests in b) to f) shall be repeated in the carrier-off state.

6.3.1.2.3 Method of measurement for an EUT with antenna

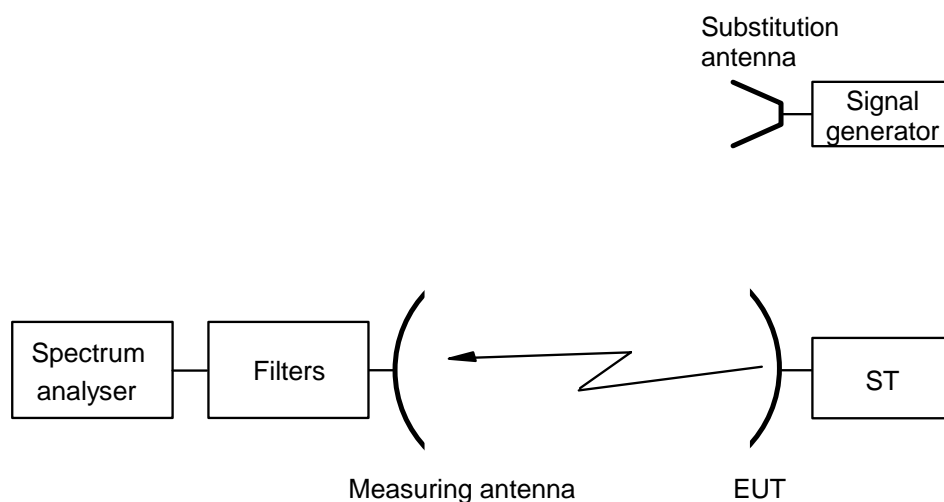


Figure 7: Test arrangement - on-axis spurious radiation measurements for an EUT with antenna

- a) The test arrangement shall be as shown in figure 7 with the notch filter being optional.
- b) The EUT shall be installed such that the units are separated by about 1 m to 2 m with the indoor unit at a height between 0,5 m and 1,0 m on a turntable. The interconnection cable shall be supported by non-metallic means at a height between 0,5 m and 1,0 m.
- c) The spectrum analyser resolution bandwidth shall be set to the specified measuring bandwidth or as close as possible. If the resolution bandwidth is different from the specified measuring bandwidth, bandwidth correction shall be performed for noise-like wideband spurious radiation.
- d) The EUT shall transmit one modulated carrier continuously, or at its maximum burst rate where applicable, centred on a frequency as close to the lower limit of the operating frequency band of the EUT as possible. The EUT shall be operated at EIRP_{max}. The frequency range 27,50 GHz to 29,50 GHz shall be investigated and each spurious frequency shall be noted.
- e) Due to the proximity of the carrier the spectrum analyser resolution bandwidth shall be set to a measurement bandwidth of 3 kHz, or lower. If the measurement bandwidth is different from the specified measurement bandwidth, bandwidth correction shall be performed for noise-like wideband spurious radiation.

- f) The measuring antenna shall be positioned at a distance from the EUT (e.g. 3 m, 5 m, 10 m) relevant to the applied test site and shall be aligned with the EUT antenna for the transmit frequency. The measuring antenna shall be adjusted in height, while the EUT is in the appropriate carrier condition, for a maximum response on the associated spectrum analyser at each spurious frequency previously identified, this response level shall be noted. The adjustment in height of the measuring antenna does not apply when an anechoic chamber is being used.
- g) The EUT shall be replaced by a representative substitution antenna to which a signal generator is connected. The main beam axes of the measuring and substitution antennas shall be aligned. The distance between these antennas shall be the distance determined under test f).
- h) The substitution and measuring antennas shall be aligned to that polarization which produced the largest response between the EUT and the test antenna.
- j) The output of the generator shall be adjusted so that the received level is identical to that of the previously noted largest spurious radiation.
- k) The output level of the signal generator shall be noted. The EIRP of the on-axis spurious radiation is the sum, in dB, of the signal generator output plus the substitution antenna isotropic gain minus the interconnection cable loss.
- l) The tests in d) to k) shall be repeated with a transmit frequency in the centre of the operating frequency band.
- m) The tests in d) to k) shall be repeated with a transmit frequency as close to the upper limit of the operating frequency band of the EUT as possible.
- n) The tests in b) to m) shall be repeated in the carrier-off state.

6.4 Off-axis EIRP emission density within the band

6.4.0 General

The measurement shall be made in the operational configuration(s) (occupied bandwidth, $EIRP_{nom}$) producing the highest emission density in the frequency band. The selected configuration(s) shall be recorded in the test report. All of the EIRP emission density measurement shall be performed at $EIRP_{nom}$.

If the test is to be carried out with an STE, then the STE shall provide all the signals needed by the STs under normal operation (e.g a radio beacon if it is expected to be received by the satellite).

For STs with uplink power control capability the compliance of the ST with the specification of clause 4.2.4.2 during fading conditions shall be demonstrated by documentary evidence from the applicant.

The EIRP density is determined from the measurements of the antenna copolar and crosspolar gain patterns, and of the power density at the antenna flange. The EIRP density shall be compared to the specified mask, taking into account the applicant declared pointing accuracy $\delta\phi$ as defined in clause 4.2.6.2, if applicable.

6.4.1 Test method

To ascertain the off-axis EIRP it is necessary to know the transmit power density and antenna transmit radiation pattern. To ascertain the radiation pattern it is necessary to know the antenna transmit gain.

The following three measurement procedures shall be performed:

- a) transmit output power density (dBW/40 kHz);
- b) antenna transmit gain (dBi);
- c) antenna transmit radiation patterns (dBi).

6.4.1.1 Transmit output power density

For the purpose of this test the EUT is defined as the indoor unit and that part of the outdoor unit up to the antenna flange.

The EUT output power shall be set to the power corresponding to $EIRP_{nom}$.

6.4.1.1.1 Test site

There are no requirements for the test site to be used for this test.

6.4.1.1.2 Method of measurement

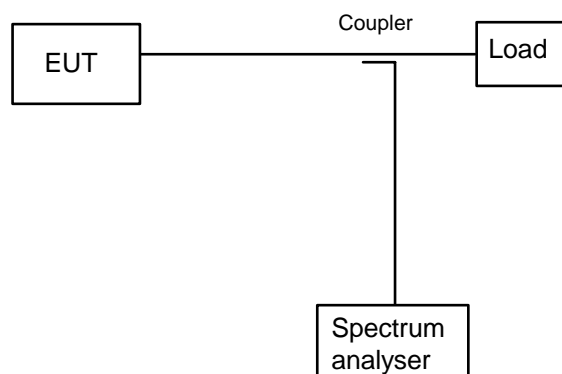


Figure 8: Test arrangement - transmit output power density measurement

- a) The test arrangement shall be as shown in figure 8.
- b) The EUT shall transmit one carrier modulated with data. For burst mode transmission the EUT shall transmit at its maximum burstrate. The power density supplied to the antenna flange shall be measured in dBW/40 kHz. The coupling factor of the test coupler at the test frequency and the attenuation of any necessary waveguide adapter shall be taken into account.

The spectrum analyser shall be operated under the following conditions:

- frequency span: as required for the complete nominated bandwidth;
- resolution bandwidth: the resolution bandwidth of the spectrum analyser shall be set as close as possible to the specified measuring bandwidth of 40 kHz. If the resolution bandwidth is different from the specified bandwidth then bandwidth correction shall be performed;
- display/video bandwidth: equal to the resolution bandwidth;
- averaging: yes;
- max hold: no.

If required by the applicant, the test may be performed in max hold mode.

For a ST operating in a continuous carrier mode, the measurement time shall be sufficient to ensure that at any frequency the difference between any two measurement results is less than 1 dB.

For a ST operating in a non-continuous carrier mode, the average measurement shall be performed over the transmitted burst and the measurements from a series of bursts shall be combined as follows:

- each measurement may exclude a specific portion of each burst. The excluded portion shall not exceed 50 usec or 10 % of the burst, whichever is the smaller. The excluded portion shall be declared by the applicant;
 - the measurements from several bursts shall be averaged to give a final measurement result. The number of bursts that are averaged shall be sufficient to ensure that the difference between any two final measurement results is less than 1 dB.
- c) The measurement shall be made in the operational configuration(s) (occupied bandwidth, $EIRP_{nom}$) producing the highest emission density in the frequency band. The selected configuration(s) shall be recorded in the test report.

6.4.1.2 Antenna transmit gain

6.4.1.2.1 General

For the purpose of the present document, the antenna transmit gain is defined as the ratio, expressed in decibels (dBi), of the power that would have to be supplied to the reference antenna, i.e. an isotropic radiator isolated in space, to the power supplied to the antenna being considered, so that they produce the same field strength at the same distance in the same direction. Unless otherwise specified the gain is for the direction of maximum radiation.

For the purpose of this test the EUT is defined as that part of the outdoor unit which comprises the antenna and its flange. The antenna may include the reflector(s), feed, support struts and an enclosure of equal weight / distribution to any electrical equipment normally housed with the feed at the antenna focal point.

6.4.1.2.2 Test site

This test shall be performed on either an outdoor far-field test site or compact test range. However, if the near-field scanner technology to convert near-field measurements to far-field results is proven and sufficiently accurate by reference to tests taken in both regions then antenna measurements may be taken in the near field. Fully automated systems can be used for these tests providing that the results can be proven to be as accurate as if they were done according to the specified method.

6.4.1.2.3 Method of measurement

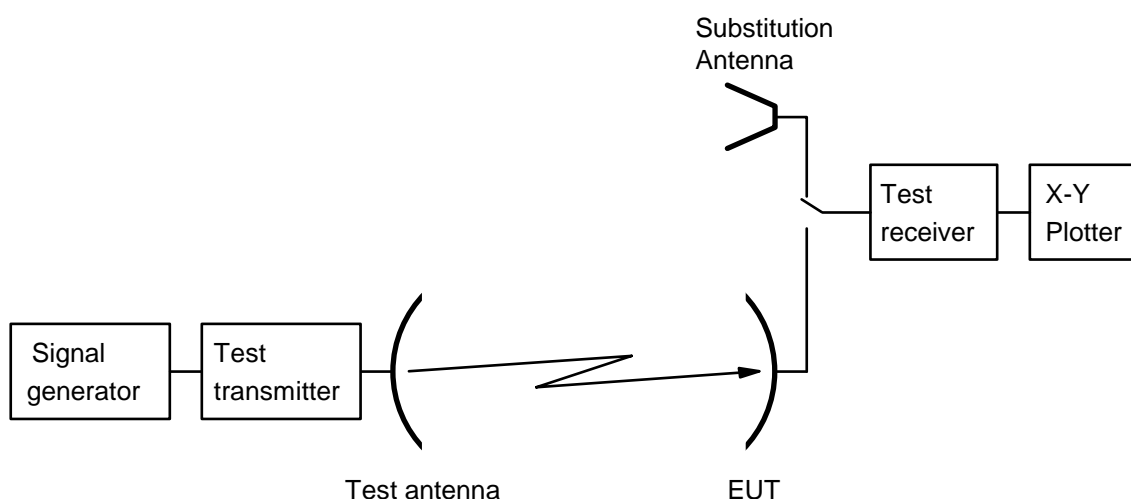


Figure 9: Test arrangement - antenna transmit gain measurement

- a) The test arrangement shall be as shown in figure 9 with the EUT connected to the test receiver. A signal proportional to the angular position from the servo mechanism shall be applied to the X-axis and the signal level from the test receiver shall be applied to the Y-axis of the plotter.

- b) A test signal at 28,50 GHz shall be transmitted by the test transmitter through the test antenna. The E-plane shall be vertical. The EUT antenna main beam axis shall be aligned with the main beam axis of the test transmitter. The polarizer of the EUT antenna shall be rotated and adjusted such that the E-plane coincides with the E-plane of the test transmitter.
- c) The EUT shall be aligned to maximize the received signal and the X-Y plotter adjusted to give the maximum reading on the chart.
- d) The EUT shall be driven in azimuth in one direction through 10°.
- e) The pattern measurement is then obtained by driving the EUT in azimuth back through boresight to 10° the other side with the plotter recording the results.
- f) The EUT shall be replaced by the substitution antenna and the received signal level maximized.
- g) This level shall be recorded on the X-Y plotter.
- h) The substitution antenna shall be driven in azimuth as in d) and e).
- j) The gain of the EUT shall be calculated from:
 - $G_{EUT} = L_1 - L_2 + C$

where:

- G_{EUT} is the gain of the EUT (dBi);
 - L_1 is the level obtained with the EUT (dB);
 - L_2 is the level obtained with the substitution antenna (dB);
 - C is the calibrated gain of the substituted antenna at the test frequency (dBi).
- k) The tests in c) to j) shall be repeated with the frequency changed to 27,505 GHz.
 - l) The tests in c) to j) shall be repeated with the frequency changed to 29,495 GHz.
 - m) The tests in b) to l) may be performed simultaneously.

6.4.1.3 Antenna transmit radiation patterns

6.4.1.3.1 General

For the purpose of the present document, the antenna transmit radiation patterns are diagrams relating field strength to the angle of the direction pointed by the antenna at a constant large distance from the antenna.

For the purpose of this test, the EUT is defined as that part of the outdoor unit which comprises the antenna and its flange. The antenna includes the reflector(s), feed, support struts and an enclosure of equal weight / distribution to any electrical equipment normally housed with the feed at the antenna focal point.

6.4.1.3.2 Test site

This test shall be performed on either an outdoor far-field test site or compact test range. However, if the near-field scanner technology to convert near-field measurements to far-field results is proven and sufficiently accurate by reference to tests taken in both regions then antenna measurements may be taken in the near field. Fully automated systems can be used for these tests providing that the results can be proven to be as accurate as if they were done according to the specified method.

6.4.1.3.3 Test arrangement

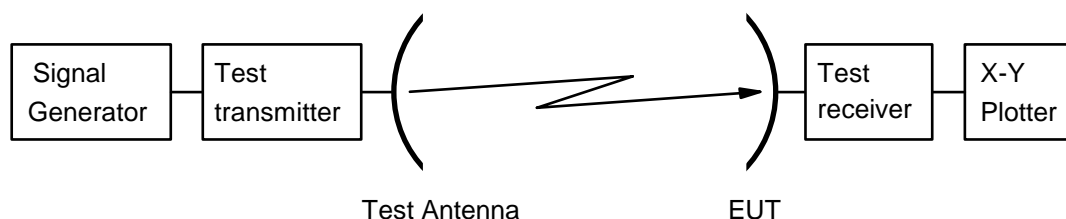


Figure 10: Test arrangement - antenna transmit radiation pattern measurement

6.4.1.3.4 Co-polar radiation pattern - azimuth

- a) The test arrangement shall be as shown in figure 10 with the EUT connected to the test receiver. A signal proportional to the angular position from the servo mechanism shall be applied to the X-axis and the signal level from the test receiver shall be applied to the Y-axis of the plotter.
- b) The frequency of the test signal shall be set to 28,50 GHz.
- c) The initial E-plane of the test signal radiated by the test transmitter through its antenna shall be vertical for linear polarization or left hand for circular polarization antennas. The EUT antenna main beam axis shall be aligned with the main beam axis of the test transmitter. For linear polarization the polarizer of the EUT antenna shall be rotated and adjusted such that its E-plane coincides with the E-plane of the test transmitter. Precise co-polar peaking of the polarization shall be done by observing the cross-polar minimum (fine adjustment).
- d) The EUT shall be aligned to maximize the received signal and the X-Y plotter adjusted to give the maximum reading on the chart.
- e) The EUT shall be driven in azimuth to -180° .
- f) The transmit pattern measurement is then obtained by driving the EUT in azimuth from -180° to $+180^\circ$ with the plotter recording the results.
- g) The tests in d) to f) shall be repeated with the frequency changed to 27,505 GHz.
- h) The tests in d) to f) shall be repeated with the frequency changed to 29,495 GHz.
- j) The tests in b) to h) may be performed simultaneously.
- k) The tests in d) to j) shall be repeated with the E-plane of the test signal being horizontal or right hand circular as appropriate. The frequency of the test signal shall be set to 28,50 GHz. For linear polarization the polarizer of the EUT antenna shall be rotated and adjusted such that its E-plane coincides with the E-plane of the test transmitter (giving the minimum cross-polar receive signal). Precise co-polar peaking of the polarization shall be done by observing the cross-polar minimum.

6.4.1.3.5 Co-polar radiation pattern - elevation

- a) The test arrangement shall be as shown in figure 10 with the EUT connected to the test receiver. A signal proportional to the angular position from the servo mechanism shall be applied to the X-axis and the signal level from the test receiver shall be applied to the Y-axis of the plotter.
- b) The frequency of the test signal shall be set to 28,50 GHz.
- c) The initial E-plane of the test signal radiated by the test transmitter through its antenna shall be vertical for linear polarization or left-hand for circular polarization antennas. The EUT antenna main beam axis shall be aligned with the main beam axis of the test transmitter. For linear polarization the polarizer of the EUT antenna shall be rotated and adjusted such that its E-plane coincides with the E-plane of the test transmitter. Precise co-polar peaking of the polarization shall be done by observing the cross-polar minimum (fine adjustment).
- d) The EUT shall be aligned to maximize the received signal and the X-Y plotter adjusted to give the maximum reading on the chart.

- e) The EUT shall be driven in elevation to -1° .
- f) The transmit pattern measurement is then obtained by driving the EUT in elevation from -1° to 70° with the plotter recording the results.
- g) The tests in d) to f) shall be repeated with the frequency changed to 27,505 GHz.
- h) The tests in d) to f) shall be repeated with the frequency changed to 29,495 GHz.
- j) The tests in b) to h) may be performed simultaneously.
- k) The tests in d) to j) shall be repeated with the E-plane of the test signal being horizontal. The frequency of the test signal shall be set to 28,50 GHz. For linear polarization the polarizer of the EUT antenna shall be rotated and adjusted such that its E-plane coincides with the E-plane of the test transmitter. The EUT antenna main beam axis shall be aligned with the main beam axis of the test transmitter. Precise co-polar peaking of the polarization plane shall be done by observing the cross-polar minimum (fine adjustment).

6.4.1.3.6 Cross-polar radiation pattern - azimuth

- a) The test arrangement shall be as shown in figure 10 with the EUT connected to the test receiver. A signal proportional to the angular position from the servo mechanism shall be applied to the X-axis and the signal level from the test receiver shall be applied to the Y-axis of the plotter.
- b) The frequency of the test signal shall be set to 28,50 GHz.
- c) The initial E-plane of the test signal radiated by the test transmitter through its antenna shall be vertical for linear polarization or left-hand for circular polarization antennas. The EUT antenna main beam axis shall be aligned with the main beam axis of the test transmitter. For linear polarization the polarizer of the EUT antenna shall be rotated and adjusted such that its E-plane is orthogonal to the E-plane of the test transmitter. Precise fine adjustment of the polarization plane shall be done by observing the cross-polar minimum.
- d) In order to adjust the X-Y plotter giving the maximum reading on the chart the boresight co-polar receive signal shall be used.
- e) The EUT shall be driven in azimuth to -10° .
- f) The transmit pattern measurement is then obtained by driving the EUT in azimuth from -10° to $+10^\circ$ with the plotter recording the results.
- g) The tests in d) to f) shall be repeated with the frequency changed to 27,505 GHz.
- h) The tests in d) to f) shall be repeated with the frequency changed to 29,495 GHz.
- j) The tests in b) to h) may be performed simultaneously.
- k) The tests in d) to j) shall be repeated with the E-plane of the test signal being horizontal or right hand circular as appropriate. The frequency of the test signal shall be set to 28,50 GHz. The EUT antenna main beam axis shall be aligned with the main beam axis of the test transmitter. For linear polarization the polarizer of the EUT antenna shall be rotated and adjusted such that its E-plane is orthogonal with the E-plane of the test transmitter. Precise fine adjustment of the polarization plane shall be done by observing the cross-polar minimum.

6.4.1.3.7 Cross-polar radiation pattern - elevation

- a) The test arrangement shall be as shown in figure 10 with the EUT connected to the test receiver. A signal proportional to the angular position from the servo mechanism shall be applied to the X-axis and the signal level from the test receiver shall be applied to the Y-axis of the plotter.
- b) The frequency of the test signal shall be set to 28,50 GHz.
- c) The initial E-plane of the test signal radiated by the test transmitter through its antenna shall be vertical for linear polarization or left hand for circular polarization antennas. The EUT antenna main beam axis shall be aligned with the main beam axis of the test transmitter. For linear polarization the polarizer of the EUT antenna shall be rotated and adjusted such that its E-plane is orthogonal to the E-plane of the test transmitter. Precise fine adjustment of the polarization plane shall be done by observing the cross-polar minimum.

- d) In order to adjust the X-Y plotter giving the maximum reading on the chart the boresight co-polar receive signal shall be used.
- e) The EUT shall be driven in elevation to -1° .
- f) The transmit pattern measurement is then obtained by driving the EUT in elevation from -1° to $+10^\circ$ with the plotter recording the results.
- g) The tests in d) to f) shall be repeated with the frequency changed to 27,505 GHz.
- h) The tests in d) to f) shall be repeated with the frequency changed to 29,495 GHz.
- j) The tests in b) to h) may be performed simultaneously.
- k) The tests in d) to j) shall be repeated with the E-plane of the test signal being horizontal or right hand circular as appropriate. The frequency of the test signal shall be set to 28,50 GHz. The EUT antenna main beam axis shall be aligned with the main beam axis of the test transmitter. The polarizer of the EUT antenna shall be rotated and adjusted such that its E-plane is orthogonal with the E-plane of the test transmitter. Precise fine adjustment of the polarization plane shall be done by observing the cross-polar minimum.

6.4.2 Computation of results

The results shall be computed by producing a "mask" to the specified limits with the reference level being equal to the sum of the transmitter output power density and the gain of the antenna. This reference shall then be placed on the maximum point of the plots obtained from the transmit radiation pattern measurements, so as to ascertain that the off-axis EIRP density is within the mask, and thus conforming to the specification.

6.5 Carrier suppression

6.5.1 Test method

- a) The test arrangement for conducted measurements shall be as shown in figure 8. The test arrangement for radiated measurements shall be as shown in figure 7.
- b) The EUT shall transmit one modulated carrier continuously, or at its maximum burst rate where applicable, centred on 28,50 GHz.
- c) The resolution bandwidth of the spectrum analyser shall be set to 100 kHz.
- d) The carrier-off state shall be obtained by use of the STE.
- e) For conducted measurements the maximum residual carrier power density within the nominated bandwidth shall be measured and added to the antenna on-axis gain.
- f) For radiated measurements the maximum residual EIRP density within the nominated bandwidth shall be measured and recorded.

6.6 Antenna pointing for STs

6.6.1 Test method

- a) Pointing stability:

As it is considered impracticable to perform the test on pointing stability no test is given;

The test methodology described in annex A may be used to show compliance with the specification for pointing stability.

b) Pointing accuracy capability:

- Specification 1: Main beam pointing accuracy
 - The EUT shall be inspected to ascertain whether fine adjustment facilities are available for the azimuth axis (coarse adjustment is usually provided by the positioning of the means of attachment);
 - The adjustment facilities shall be examined to determine both the angular movement possible and the means of securing that movement;
 - The securing facility shall be examined to determine its permanency;
 - The test shall be repeated for the elevation axis.
- Specification 2: Alignment with the Geostationary Satellite Orbit
 - The EUT shall be inspected to ascertain whether adjustment facilities are available to align the plane or range of planes defined in clause 4.2.4.2 with the geostationary arc with the specified accuracy;
 - The adjustment facilities shall be examined to determine both the angular movement possible and the means of securing that movement;
 - The securing facility shall be examined to determine its permanency.

c) Polarization angle alignment capability (linear polarization only):

- The adjustment facilities shall be examined to determine both the angular movement possible and the means of securing that movement;
- The securing facility shall be examined to determine its permanency.

6.7 ST Control and Monitoring Functions (CMF)

6.7.0 General

The applicant may modify a ST for the purpose of these tests provided that full documentation is given to prove that the modifications accurately simulate the required test conditions.

The EUT shall transmit at $EIRP_{nom}$.

For the purpose of these tests the EUT is the ST either with, or without its antenna connected.

The measurement of the EIRP spectral density shall be limited within either the nominated bandwidth or to a 40 MHz bandwidth centred on the carrier frequency, whichever is the greater.

6.7.1 Test arrangement

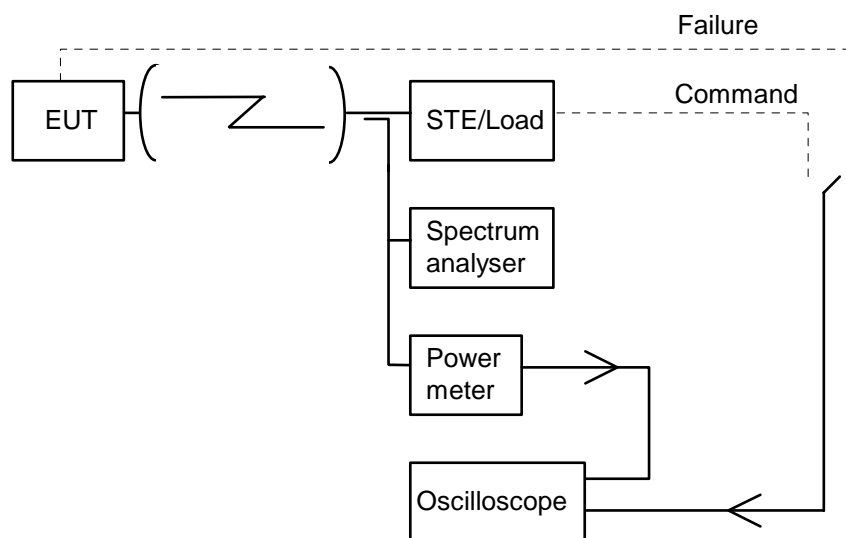


Figure 11: General test arrangement for control and monitoring tests for radiated measurements

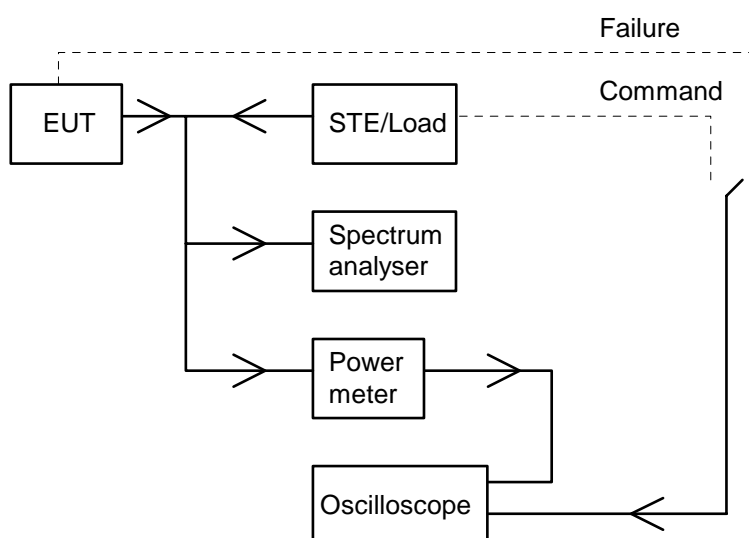


Figure 12: General test arrangement for control and monitoring tests for conducted measurements

The test arrangement shall be as shown in figures 11 or 12. The EUT shall be authorized to transmit and shall be in the "Transmission enabled" state at the commencement of each test, unless otherwise stated. The dual trace storage oscilloscope shall monitor by measuring the time difference between the command, or failure, and the occurrence of the expected event (e.g. the transmission suppression). The spectrum analyser and the power meter shall monitor the EUT output level.

6.7.2 Processor monitoring - Test method

- Each of the processors within the EUT shall, in turn, be caused to fail.
- Within 10 seconds of such failure the EUT shall cease to transmit as measured by the oscilloscope.
- The power meter and spectrum analyser shall be observed to ascertain that the transmissions have been suppressed ("Transmission disabled" state).

- d) The failed processor shall be restored to normal working condition and the EUT shall restore automatically to normal working before the next processor shall be induced to fail.

6.7.3 Transmit subsystem monitoring - Test method

- a) The frequency generation subsystem within the EUT shall be caused to fail in respect of:
- loss of frequency lock (if applicable);
 - absence of Local Oscillator (LO) output signal.
- b) Recognition of each failure in turn by the subsystem monitor shall constitute a SMF event.
- c) Within 1 second of such failure the EUT shall cease to transmit as measured by the oscilloscope.
- d) The power meter and spectrum analyser shall be observed to ascertain that the transmissions have been suppressed.
- e) The failed elements shall be restored to normal working state and the EUT shall be restored to normal working condition before the next induced failure.

6.7.4 Power-on/Reset - Test method

- a) The EUT shall be switched off and the STE shall not transmit the CC;
- b) The EUT shall be switched on;
- c) The EUT shall not transmit during and after switching-on, and shall enter the "Non valid" state;

The events from a) to c) shall be displayed and verified with the oscilloscope and by measurement of the transmitted signal. If a manual reset function is implemented the following test shall be performed:

- d) The EUT shall be restored to the "Initial phase" state and the STE shall transmit the CC;
- e) The EUT shall remain in the "Initial phase" state;
- f) The reset function shall be initiated;
- g) Within 1 second the EUT shall enter the "Non valid" state;
- h) The EUT shall be restored to the "Initial phase" state and the STE shall transmit the CC as well as a TxE;
- i) The EUT shall enter the "Transmission enabled" state;
- j) The reset function shall be initiated;
- k) Within 1 second the EUT shall enter the "Non valid" state.

The event from e) to k) shall be displayed and verified with the oscilloscope and by measurement of the transmitted signal.

6.7.5 Control Channel (CC) reception - Test method

Tests shall simulate the following events:

- the CC has never been received by the EUT after power-on;
- the CC is lost by the EUT after reception of a Transmission Enable command;
- the CC is lost by the EUT without reception of a Transmission Enable command;
- the CC is being lost by the EUT and a call is initiated within the Time-Out period T1.

The Time-Out period T1 used in the tests shall be 10 seconds.

- a) Case where the CC has never been received by the EUT after power-on:
- a1) The EUT shall be switched off and the STE shall not transmit the CC;
 - a2) The EUT shall be switched on;
 - a3) The EUT shall remain in the "Non valid" state.

The events from a2) to a3) shall be displayed and verified with the oscilloscope and by measurement of the transmit signal.

- b) Case where the CC is lost by the EUT after reception of a Transmission Enable command:
- b1) The EUT shall be switched-on and the STE shall transmit the CC and a TxE;
 - b2) The EUT shall enter the "Initial phase" state and go, if applicable, to the "Transmission enabled" state;
 - b3) A transmission request shall be initiated from the EUT;
 - b4) The STE shall stop transmitting the CC;
 - b5) Within the period T1 from event b4), the EUT shall enter the "Non valid" state.

The events from b1) to b5) shall be displayed and verified with the oscilloscope and by measurement of the transmitted signal.

- c) Case where the CC is lost by the EUT without reception of a "Transmission enabled" state:
- c1) The EUT shall be switched on and the STE shall transmit the CC;
 - c2) The EUT shall enter the "Initial phase" state;
 - c3) The STE shall stop transmitting the CC;
 - c4) The EUT shall enter in the "Non valid" state not later than T1;
 - c5) A transmission request shall be initiated and the EUT shall remain in the "Non valid" state.

The events from c2) to c5) shall be displayed and verified with the oscilloscope and by measurement of the transmitted signal.

- d) Case where the CC is being lost by the EUT and a call is initiated within the T1 period:
- d1) The EUT shall be switched on and the STE shall transmit the CC;
 - d2) The STE shall stop transmitting the CC;
 - d3) Within the period T1 from d2), a transmission request shall be initiated from the EUT;
 - d4) The EUT may transmit but within the T1 period the EUT shall enter the "Non valid" state.

The events from d2) to d4) shall be displayed and verified with the oscilloscope and by measurement of the transmitted signal.

6.7.6 Network Control commands - Test method

The following tests shall be performed in sequence:

- transmission enable command;
- transmission disable command received in the "Transmission enabled" state;
- transmission disable command received in the "Initial phase" state.

- a) Transmission enable command:
- a1) The EUT shall be switched-on and the STE shall transmit the CC;
 - a2) The EUT shall enter the "Initial phase" state;
 - a3) A transmission request shall be initiated from the EUT, the EUT shall remain in the "Initial phase" state;
 - a4) The STE shall transmit an enable command to the EUT;
 - a5) A transmission request shall be initiated from the EUT;
 - a6) The EUT shall enter the "Transmission enabled" state and shall transmit.

The events from a2) to a6) shall be displayed and verified with the oscilloscope and by measurement of the transmitted signal.

- b) Transmission disable command received in the "Transmission enabled" state:
- b1) Continue from a6);
 - b2) The STE shall transmit a disable command to the EUT;
 - b3) The EUT shall enter the "Transmission disabled" state within 10 seconds;
 - b4) A transmission request shall be initiated from the EUT;
 - b5) The EUT shall remain in the "Transmission disabled" state;
 - b6) The STE shall transmit an enable command;
 - b7) The EUT shall enter either the "Transmission enabled" state or the "Initial phase" state;
 - b8) If the EUT is in the "Transmission enable" state then the test continues with b11);
 - b9) The STE shall transmit an TxE command;
 - b10) The EUT shall enter the "Transmission enable" state;
 - b11) If a transmission request is not active any more then a new transmission request shall be initiated;
 - b12) The EUT shall transmit;
 - b13) The EUT transmission shall be terminated;

The events from b2) to b13) shall be displayed and verified with the oscilloscope and by measurement of the transmitted signal.

- c) Transmission disable command received in the "Initial phase" state:
- c1) The EUT shall be switched-on and the STE shall transmit the CC;
 - c2) The EUT shall enter the "Initial phase" state;
 - c3) The STE shall transmit a disable command to the EUT;
 - c4) The EUT shall enter the "Transmission disabled" state within 10 seconds;
 - c5) A transmission request shall be initiated from the EUT;
 - c6) The EUT shall remain in the "Transmission disabled" state;
 - c7) The STE shall transmit an enable command;
 - c8) The EUT shall enter either the "Transmission enabled" state or the "Initial phase" state;
 - c9) If the EUT is in the "Transmission enable" state then the test continues with c12);
 - c10) The STE shall transmit an TxE command;

- c11) The EUT shall enter the "Transmission enable" state;
- c12) If a transmission request is not active any more then a new transmission request shall be initiated;
- c13) The EUT shall transmit;
- c14) The EUT transmission shall be terminated.

The events from c2) to c14) shall be displayed and verified with the oscilloscope and by measurement of the transmitted signal.

6.7.7 Initial burst transmission - Test method

Tests shall be performed to simulate the following events:

- the CC is being received by the EUT;
- the CC has not been received by the EUT since power-on.
- a) Case where the CC is being received:
 - a1) The EUT shall be switched-off and the STE shall transmit the CC;
 - a2) The EUT shall be switched-on;
 - a3) The EUT shall not transmit, except the initial bursts;
 - a4) It shall be verified that the specifications given in clause 5.6.2 are fulfilled.

The events from a2) to a4) shall be displayed and verified with the oscilloscope and by measurement of the transmitted signal.

- b) Case where the CC has not been received by the EUT since power-on:
 - b1) The EUT shall be switched-off and the STE shall not transmit the CC;
 - b2) The EUT shall be switched-on;
 - b3) The EUT shall not transmit.

The events from b2) to b3) shall be displayed and verified with the oscilloscope and by measurement of the transmitted signal.

Annex A (normative): The EN Requirements Table (EN-RT)

Notwithstanding the provisions of the copyright clause related to the text of the present document, ETSI grants that users of the present document may freely reproduce the EN-RT proforma in this annex so that it can be used for its intended purposes and may further publish the completed EN-RT.

The EN Requirements Table (EN-RT) serves a number of purposes, as follows:

- it provides a tabular summary of all the requirements;
- it shows the status of each EN-Requirement, whether it is essential to implement in all circumstances (Mandatory), or whether the requirement is dependent on the applicant having chosen to support a particular optional service or functionality (Optional). In particular it enables the EN-Requirements associated with a particular optional service or functionality to be grouped and identified;
- when completed in respect of a particular equipment it provides a means to undertake the static assessment of conformity with the EN.

The EN-RT is placed in an annex of the EN in order that it may be photocopied and used as a proforma.

Table A.1: EN Requirements Table (EN-RT)

EN Reference		EN 301 360				Comment
No.	Reference	EN-Requirement (see note)	Status			
1	4.2.2	Off-axis spurious radiation	M			
2	4.2.3	On-axis spurious radiation	M			
3	4.2.4	Off-axis EIRP emission density within the band	M			
4	4.2.5	Carrier suppression	M			
5	4.2.6	Antenna pointing accuracy	M			
6	4.2.7.2	Processor monitoring	M			
7	4.2.7.3	Transmit subsystem monitoring	M			
8	4.2.7.4	Power-on/Reset	M			
9	4.2.7.5	Control Channel (CC) reception	M			
10	4.2.7.6	Network control commands	M			
11	4.2.7.7	Initial burst transmission	M			

NOTE: These EN-Requirements are justified under article 3.2 of the R&TTE Directive.

Key to columns:

No Table entry number;

Reference Clause reference number of conformance requirement within the present document;

Status Status of the entry as follows:

M Mandatory, shall be implemented under all circumstances;

O Optional, may be provided, but if provided shall be implemented in accordance with the requirements;

O.n This status is used for mutually exclusive or selectable options among a set. The integer "n" shall refer to a unique group of options within the EN-RT. A footnote to the EN-RT shall explicitly state what the requirement is for each numbered group. For example, "It is mandatory to support at least one of these options", or, "It is mandatory to support exactly one of these options".

Comments To be completed as required.

Annex B (informative): Pointing stability methodology

This test based on a numerical analysis shall be performed in two stages.

- In the first stage the effects of maximum wind speed shall be computed on the outdoor unit using a numerical analysis method (finite elements method by computer) taking into account the intrinsic properties of the materials.
- In the second stage the computed loads shall be applied to the structure.

The purpose of the numerical analysis is twofold:

- 1) to show that the torque and the fields of force applied to the outdoor unit structure under nominated conditions do not reach the breakpoint limit of any element of the structure;
- 2) to compute equivalent static loads (force and torque) applied to the critical attachment points of the structures, for example:
 - reflector - mounting legs fixing point;
 - reflector - struts;
 - LNB - struts.

Numerical analysis and load applications procedure:

- 1) The air related parameters, namely the kinetic viscosity used to calculate drags at the rims of the structure shall be calculated with the standard atmospheric environmental conditions (temperature = 293 K, air pressure = $1,013 \times 10^5$ Pascal).
- 2) The computations needed to derive the field of force and torque and the equivalent static stresses shall be carried out for each of the following variables:
 - elevation angle: maximum and minimum;
 - wind direction: in steps of 45° around the outdoor unit;
 - wind speed: 160 km/h.

It shall be verified with the simulated results that break point limits are not exceeded for any self-contained element.

The calculated equivalent static loads shall be applied at any identified critical fixing point of the assembly.

While the loads are applied the outdoor unit shall be observed and any distortion noted.

The test report shall contain the following information:

- the computation method used;
- description of the test equipment;
- description of the tests performed;
- results of the safety margin test;
- any signs of distortion observed;
- results of the measurements of the deviation of the antenna position;
- component deviation with respect to each other.

Annex C (informative): Bibliography

ETSI EN 301 489-12: "Electromagnetic compatibility and Radio spectrum Matters (ERM); ElectroMagnetic Compatibility (EMC) standard for radio equipment and services; Part 12: Specific conditions for Very Small Aperture Terminal, Satellite Interactive Earth Stations operated in the frequency ranges between 4 GHz and 30 GHz in the Fixed Satellite Service (FSS)"

ERC/DEC (00)09: "ERC Decision of 19 October 2000 on the use of the band 27.5 - 29.5 GHz by the fixed service and uncoordinated Earth stations of the fixed-satellite service (Earth-to-space)".

ETSI EN 300 673: "Electromagnetic compatibility and Radio spectrum matters (ERM); ElectroMagnetic Compatibility (EMC) standard for Very Small Aperture Terminal (VSAT), Satellite News Gathering (SNG), Satellite Interactive Terminals (SIT) and Satellite User Terminals (SUT) Earth Stations operated in the frequency ranges between 4 GHz and 30 GHz in the Fixed Satellite Service (FSS)".

History

Document history		
V1.1.1	August 2000	Public Enquiry PE 20001215: 2000-08-16 to 2000-12-15
V1.1.3	July 2001	Vote V 20010831: 2001-07-02 to 2001-08-31
V1.1.3	September 2001	Publication