

ETSI EN 300 630 V1.2.1 (2000-03)

European Standard (Telecommunications series)

**Fixed Radio Systems;
Point-to-point equipment;
Low capacity point-to-point digital radio systems operating
in the 1,4 GHz frequency band**



Reference

REN/TM-04063-06

KeywordsDRRS, radio, relay, transmission, point-to-point,
PDH**ETSI**

Postal address

F-06921 Sophia Antipolis Cedex - FRANCE

Office address650 Route des Lucioles - Sophia Antipolis
Valbonne - FRANCE
Tel.: +33 4 92 94 42 00 Fax: +33 4 93 65 47 16
Siret N° 348 623 562 00017 - NAF 742 C
Association à but non lucratif enregistrée à la
Sous-Préfecture de Grasse (06) N° 7803/88

Internet

secretariat@etsi.fr

Individual copies of this ETSI deliverable
can be downloaded from
<http://www.etsi.org>If you find errors in the present document, send your
comment to: editor@etsi.fr

Important notice

This ETSI deliverable may be made available in more than one electronic version or in print. In any case of existing or perceived difference in contents between such versions, the reference version is the Portable Document Format (PDF). In case of dispute, the reference shall be the printing on ETSI printers of the PDF version kept on a specific network drive within ETSI Secretariat.

Copyright Notification

No part may be reproduced except as authorized by written permission.
The copyright and the foregoing restriction extend to reproduction in all media.

© European Telecommunications Standards Institute 2000.
All rights reserved.

Contents

Intellectual Property Rights	4
Foreword	4
1 Scope	5
2 References	6
3 Abbreviations and symbols	7
3.1 Abbreviations	7
3.2 Symbols	7
4 General characteristics	8
4.1 Frequency bands and channels arrangements	8
4.2 Modes of operation	8
4.2.1 Channel spacing	8
4.2.2 Transmit/receive duplex frequency separation	8
4.3 Installation	8
4.3.1 Environmental conditions	8
4.3.1.1 Equipment within weather protected locations	8
4.3.1.2 Equipment for non-weather protected locations	8
4.3.2 Electromagnetic compatibility conditions	9
4.3.3 Power supply	9
4.4 TMN requirements	9
4.5 Block diagram	9
4.6 RF interfaces	9
5 Baseband characteristics	10
5.1 Plesiochronous Digital Hierarchy (PDH) interfaces	10
5.2 Analogue interfaces	10
6 Transmitter characteristics	10
6.1 Output power	10
6.2 RF spectrum masks	10
6.3 Spectral lines at the symbol rate	12
6.4 Spurious emissions	12
6.5 Radio frequency tolerance	12
6.6 Return loss	12
7 Receiver characteristics	12
7.1 Receiver image rejection(s)	12
7.2 Receiver spurious emissions	12
7.3 Input level range	12
7.4 Return loss	12
8 System characteristics	13
8.1 BER as a function of receiver input level	13
8.2 Equipment background BER	13
8.3 Interference sensitivity	14
8.3.1 Co-channel interference	14
8.3.2 Adjacent channel interference	14
8.3.3 CW Spurious interference	14
9 Feeder/antenna requirements	15
Annex A (informative): Indicative channel capacities	16
History	17

Intellectual Property Rights

IPRs essential or potentially essential to the present document may have been declared to ETSI. The information pertaining to these essential IPRs, if any, is publicly available for **ETSI members and non-members**, and can be found in SR 000 314: "*Intellectual Property Rights (IPRs); Essential, or potentially Essential, IPRs notified to ETSI in respect of ETSI standards*", which is available from the ETSI Secretariat. Latest updates are available on the ETSI Web server (<http://www.etsi.org/ipr>).

Pursuant to the ETSI IPR Policy, no investigation, including IPR searches, has been carried out by ETSI. No guarantee can be given as to the existence of other IPRs not referenced in SR 000 314 (or the updates on the ETSI Web server) which are, or may be, or may become, essential to the present document.

Foreword

This European Standard (Telecommunications series) has been produced by ETSI Technical Committee Transmission and Multiplexing (TM).

The present document is a revision of ETS 300 630. Clause 2, subclauses 4.3.2, 6.4 and 7.2 have been modified and approved as amendment under ETS 300 630/A1, under ETSI Standards One-step Approval Procedure 9956. The complete document is published as EN 300 630 V1.2.1.

The former title of the present document was: "Transmission and Multiplexing (TM); Low capacity point-to-point Digital Radio Relay Systems (DRRS) operating in the 1,4 GHz frequency band".

National transposition dates	
Date of adoption of this EN:	31 December 1999
Date of latest announcement of this EN (doa):	31 March 2000
Date of latest publication of new National Standard or endorsement of this EN (dop/e):	30 September 2000
Date of withdrawal of any conflicting National Standard (dow):	30 September 2000

1 Scope

The present document specifies the minimum performance parameters for terrestrial digital fixed service radio communications equipment operating in the 1,4 GHz frequency bands. The requirements and limits given in the present document are relevant to all environmental conditions for the chosen climatic class. The test methods to be used are currently under study in ETSI STC TM4.

Digital systems are intended to be used for point-to-point connections in local and regional networks at data rates between 9,6 kbit/s and 4x2 Mbit/s. Other data rates may also be foreseen. Typical applications include:

- a) customer connections;
- b) Integrated Services Digital Network (ISDN) extension;
- c) mobile base station connections;
- d) telemetry and telecontrol, including transportable and off-shore use.

ITU-R high, medium and local grade performance objectives, i.e. ITU-R Recommendations F.634-4 [14], F.696-2 [4], F.697-2 [5], ITU-T Recommendation G.821 [7] and the forthcoming performance objectives detailed in ITU-T Recommendation G.826 [8] should be realizable using systems considered in the present document.

The parameters to be specified fall into two categories:

- a) Those that are required to provide compatibility between channels from different sources of equipment on the same route, connected either to:
 - separate antennas; or to
 - separate polarizations of the same antenna.
- b) Parameters defining the transmission quality of the proposed system.

The present document deals with Intermediate Frequency (IF), Radio Frequency (RF) and baseband characteristics relevant to low capacity Plesiochronous Digital Hierarchy (PDH) transmission. Antenna/feeder system requirements are covered in EN 300 631 [12].

Due to the wide spread of applications and corresponding system rates, parameters such as RF spectrum masks and receiver sensitivity are related to standardized channel spacings rather than to minimum system rates. This allows individual countries to allocate a bandwidth and therefore a standard channel spacing in accordance with the foreseen services and their own frequency management and radio network planning.

As the maximum bit rate in a given bandwidth depends on the system spectral efficiency, different equipment classes are defined:

- | | |
|----------|---|
| Class 1: | equipment based on a minimum of 2-level modulation scheme (e.g. 2-FSK, GMSK with discriminator detection, or equivalent); |
| Class 2: | equipment based on a minimum 4-level modulation scheme (e.g. 4-FSK, 4-QAM, or equivalent); |
| Class 3: | equipment based on a minimum 16-level modulation scheme (e.g. 16-QAM, or equivalent). |

Safety aspects are outside the mandate of ETSI and they will not be considered in the present document.

2 References

The following documents contain provisions which, through reference in this text, constitute provisions of the present document.

- References are either specific (identified by date of publication, edition number, version number, etc.) or non-specific.
- For a specific reference, subsequent revisions do not apply.
- For a non-specific reference, the latest version applies.
- A non-specific reference to an ETS shall also be taken to refer to later versions published as an EN with the same number.

- [1] CEPT Recommendation T/R 13-01: "Preferred channel arrangements for fixed services in the range 1 - 3 GHz".
- [2] ETSI ETS 300 019 Parts 1 and 2 (1994): "Equipment Engineering (EE); Environmental conditions and environmental tests for telecommunications equipment; Parts 1-1 to 1-7: Classification of environmental conditions; Parts 2-1 to 2-7: Specification of environmental tests".
- [3] CCITT Recommendation G.703 (1988): "Physical/electrical characteristics of hierarchical digital interfaces".
- [4] ITU-R Recommendation F.696-2 (1997): "Error performance and availability objectives for hypothetical reference digital sections forming part or all of the medium-grade portion of an ISDN connection at a bit rate below the primary rate utilizing digital radio-relay systems".
- [5] ITU-R Recommendation F.697-2 (1997): "Error performance and availability objectives for the local-grade portion at each end of an ISDN connection at a bit rate below the primary rate utilizing digital radio-relay systems".
- [6] ITU-T Recommendation G.773 (1993): "Protocol suites for Q interfaces for management of transmission systems".
- [7] ITU-T Recommendation G.821 (1996): "Error performance of an international digital connection operating at a bit rate below the primary rate and forming part of an integrated services digital network".
- [8] ITU-T Recommendation G.826 (1993): "Error performance parameters and objectives for international, constant bit rate digital paths at or above the primary rate".
- [9] ETSI EN 300 385 (V1.2): "Electromagnetic compatibility and Radio spectrum Matters (ERM); ElectroMagnetic Compatibility (EMC) standard for fixed radio links and ancillary equipment".
- [10] ITU-T Recommendation V.11 (1993): "Electrical characteristics for balanced double-current interchange circuits operating at data signalling rates up to 10 Mbit/s".
- [11] ITU-T Recommendation G.712 (1992): "Transmission performance characteristics of pulse code modulation channels".
- [12] ETSI EN 300 631: "Fixed Radio Systems; Point-to-Point Antennas; Antennas for Point-to-Point fixed radio systems in the 1 GHz to 3 GHz band".
- [13] ITU-T Recommendation V.24 (1993): "List of definitions for interchange circuits between data terminal equipment (DTE) and data circuit-terminating equipment (DCE)".
- [14] ITU-R Recommendation F.634-4 (1997): "Error performance objectives for real digital radio-relay links forming part of the high-grade portion of international digital connections at a bit rate below the primary rate within an integrated services digital network".
- [15] ETSI ETS 300 132 Parts 1 and 2: "Equipment Engineering (EE); Power supply interface at the input to telecommunications equipment".

- [16] ETSI ETR 080: "Transmission and Multiplexing (TM); Integrated Services Digital Network (ISDN) basic rate access; Digital transmission system on metallic local lines".
- [17] ITU-T Recommendation I.430 (1993): "Basic user-network interface - Layer 1 specification".
- [18] ITU-T Recommendation X.21 (1992): "Interface between Data Terminal equipment and Data Circuit-terminating Equipment for synchronous operation on public data networks".
- [19] CEPT/ERC Recommendation 74-01: "Spurious emissions".

3 Abbreviations and symbols

3.1 Abbreviations

For the purposes of the present document, the following abbreviations apply:

AC	Alternating Current
BER	Bit Error Rate
CW	Continuous Wave
DC	Direct Current
EMC	ElectroMagnetic Compatibility
FSK	Frequency Shift Keying
GMSK	Gaussian Minimum Shift Keying
IF	Intermediate Frequency
IF/RF	Intermediate Frequency/Radio Frequency
ISDN	Integrated Services Digital Network
NRZ	Non return to Zero
PDH	Plesiochronous Digital Hierarchy
QAM	Quadrature Amplitude Modulation
RF	Radio Frequency
R _x	Receiver
S/I	Signal to Interference ratio
TMN	Telecommunications Management Network
T _x	Transmitter
W/U	Wanted to Unwanted signal ratio

3.2 Symbols

For the purposes of the present document, the following symbols apply:

dB	decibel
dBm	decibel relative to 1 mW
GHz	gigahertz
kHz	kilohertz
Hz	Hertz
kbit/s	kilobits per second
Mbit/s	megabits per second
MHz	megahertz

4 General characteristics

4.1 Frequency bands and channels arrangements

The systems are required to operate in the 1,4 GHz frequency bands as shown below, in accordance with the CEPT Recommendation T/R 13-01 [1]:

- 1 350 MHz to 1 375 MHz paired with 1 492 MHz to 1 517 MHz;
- 1 375 MHz to 1 400 MHz paired with 1 427 MHz to 1 452 MHz.

The channel plan is based on a 0,5 MHz homogenous channel pattern using vertical and horizontal polarizations. The equipment shall be capable of operating to the channel plans given in the CEPT Recommendation T/R 13-01 [1].

4.2 Modes of operation

Depending on the application, it shall be possible to operate the system in vertical, horizontal, or in the case of multiple parallel paths or channels, alternate polarizations.

4.2.1 Channel spacing

Depending on the application, the following standard channel spacings may be used:

25 kHz, 75 kHz, 250 kHz, 500 kHz, 1 MHz, 2 MHz, 3,5 MHz.

4.2.2 Transmit/receive duplex frequency separation

For the frequency band 1 350 MHz to 1 375 MHz paired with 1 492 MHz to 1 517 MHz, the transmitter to receiver duplex frequency separation is 142 MHz.

For the frequency band 1 375 MHz to 1 400 MHz paired with 1 427 MHz to 1 452 MHz, the transmitter to receiver duplex frequency separation is 52 MHz.

4.3 Installation

4.3.1 Environmental conditions

The equipment shall be required to meet environmental conditions set out in ETS 300 019 [2] which defines weather protected and non weather protected locations classes and test severities.

4.3.1.1 Equipment within weather protected locations

Equipment intended for operation within temperature controlled locations or partially temperature controlled locations shall meet the requirements of ETS 300 019 [2] classes 3.1 and 3.2 respectively.

Optionally, the more stringent requirements of ETS 300 019 [2] classes 3.3 (non temperature controlled locations), 3.4 (sites with heat trap) and 3.5 (sheltered locations) may be applied.

4.3.1.2 Equipment for non-weather protected locations

Equipment intended for operation within non weather protected locations shall meet the requirements of ETS 300 019 [2], class 4.1 or 4.1E.

Class 4.1 applies to many ETSI countries and class 4.1E applies to all ETSI countries.

Weather protected equipment together with an enclosure or cabinet may fulfil the requirements for operating in a non weather protected environment but this is outside the scope of the present document.

4.3.2 Electromagnetic compatibility conditions

The system shall operate under the conditions specified in EN 300 385 [9].

4.3.3 Power supply

The equipment shall operate from one or more of the power supplies detailed in ETS 300 132 parts 1 and 2 [15] shown in table 1.

Table 1: Power supplies covered by ETS 300 132 parts 1 and 2

For 230 V AC nominal	207 V to 253 V (see part 1)	50 Hz \pm 2 Hz
For 48 V DC nominal	-40,5 V to -57 V (see part 2)	-
For 60 V DC nominal	-50,0 V to -72 V (see part 2)	-

For DC systems, the positive pole of the voltage supply will be earthed at the source.

It may be required to operate from power supplies within the ranges specified in table 2 which are not detailed in ETS 300 132 parts 1 and 2 [15].

Table 2: Power supplies not included in ETS 300 132 parts 1 and 2

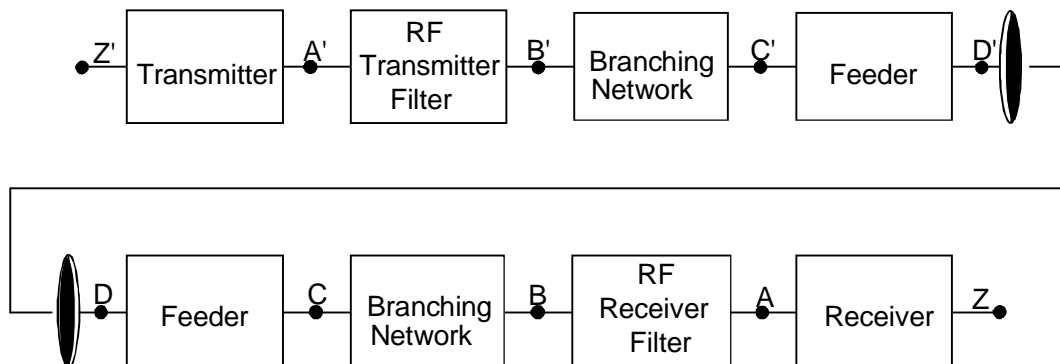
For 110 V AC nominal	99 V to 121 V	60 Hz \pm 2 Hz
For 24 V DC nominal	-21,8 V to -28,15 V	-

4.4 TMN requirements

The Telecommunications Management Network (TMN) interface, if any, should be in accordance with ITU-T Recommendation G.773 [6].

4.5 Block diagram

The system block diagram is shown in figure 1. The intersection points are for reference only and not necessarily measurement purposes, nor do they indicate a specific design structure.



NOTE 1: For the purpose of defining the measurement points, the branching network does not include a hybrid.

NOTE 2: Points B and C, B' and C' may coincide.

Figure 1: System block diagram

4.6 RF interfaces

RF interfaces for antenna port at reference points C and C' (unless an integral antenna is used) shall be of 50 Ω coaxial. Standard IEC connectors shall be used.

5 Baseband characteristics

5.1 Plesiochronous Digital Hierarchy (PDH) interfaces

Table 3 below indicates relevant references for the ITU-T hierarchical baseband digital interfaces covered by the present document.

Table 3: Baseband interfaces

Bit rate	Electrical characteristics of interface
9,6 kbit/s	ITU-T Recommendation V.24 [13]
64 kbit/s	CCITT Recommendation G.703 [3] and/or ITU-T Recommendation V.11 [10]
192 kbit/s	T interface of ITU-T Recommendation I.430 [17]
ISDN Local Access (see note)	ETR 080 [16]
704 kbit/s	ITU-T Recommendation X.21 [18] and/or ITU-T Recommendation V.11 [10] and/or HDB3 code (described in CCITT Recommendation G.703 [3])
2 Mbit/s	CCITT Recommendation G.703 [3]
NOTE: ETR 080 [16] defines two ISDN basic rate access for digital transmission systems on metallic local lines: the first one at 80 kbaud uses 4-level 2B1Q coding, the second at 120 kbaud, uses ternary 4B3T coding. Other data rate interfaces are subject to customer requirement.	

NOTE: Any other ITU-T standardized bit rate between 9,6 kbit/s and 2 Mbit/s is applicable.

5.2 Analogue interfaces

Table 4 below indicates relevant references for the baseband analogue interfaces covered by the present document.

Table 4: Analogue interfaces

Nature	Electrical characteristics of interface
2-wires	ITU-T Recommendation G.712 [11]
4-wires	ITU-T Recommendation G.712 [11]

Systems incorporating analogue interfaces, as primary service, shall provide digital test points (binary NRZ data + clock) at the transmitted bit rate (digital access of the input/output multiplexer) for system characteristics measurement purposes.

6 Transmitter characteristics

6.1 Output power

The maximum value of output power, referred to point C' shall not exceed +40 dBm.

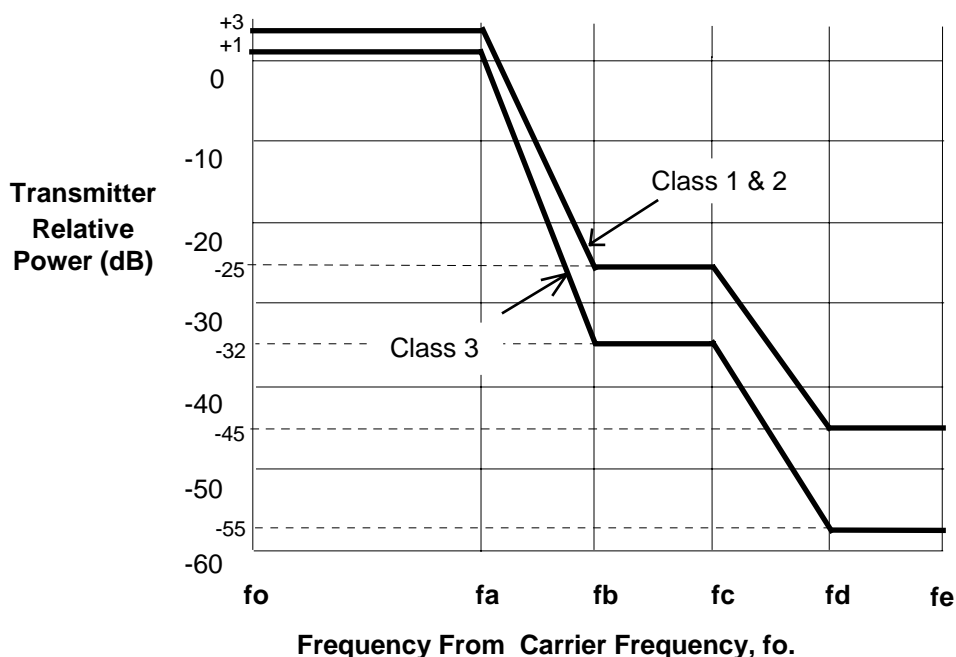
If for regulatory purposes, a reduced range of output power is required, then an internal or external means of adjustment shall be provided.

The tolerance value around the nominal or selected value of output power is +2 dB/-1 dB.

6.2 RF spectrum masks

The spectrum masks relative to standard channel spacings and spectrum analyser settings for measurement purposes are shown in figure 2 and in table 5 respectively.

According to the channel spacing allocation, the equipment shall comply with the digital RF power spectrum mask given in figure 2. The 0 dB level shown on the spectrum masks relates to the spectral power density of the nominal centre frequency disregarding residual carrier. All spectrum masks include an allowance for frequency stability and accuracy, including ageing effects.



Channel Spacing	fa	fb	fc	fd	fe
25 kHz	12 kHz	18 kHz	25 kHz	40 kHz	62,5 kHz
75 kHz	36 kHz	54 kHz	75 kHz	120 kHz	187,5 kHz
250 kHz	110 kHz	170 kHz	230 kHz	400 kHz	625 kHz
500 kHz	210 kHz	325 kHz	450 kHz	800 kHz	1,25 MHz
1 MHz	420 kHz	650 kHz	900 kHz	1 600 kHz	2,5 MHz
2 MHz	840 kHz	1 300 kHz	1 800 kHz	3 200 kHz	5,0 MHz
3,5 MHz	1 500 kHz	2 400 kHz	3 500 kHz	6 000 kHz	8,75 MHz

NOTE: This mask refers to nominal centre frequency and includes an allowance for frequency stability.

Figure 2: Limits of spectral power density as a function of channel spacing

Table 5: Spectrum analyser settings

Parameter	Settings						
	25 kHz	75 kHz	250 kHz	500 kHz	1 MHz	2 MHz	3,5 MHz
Channel spacing	fo	fo	fo	fo	fo	fo	fo
RF centre frequency	fo	fo	fo	fo	fo	fo	fo
Amplitude scale (dB/div)	10	10	10	10	10	10	10
IF bandwidth	0,3 kHz	1 kHz	3 kHz	3 kHz	10 kHz	30 kHz	30 kHz
Sweep width	200 kHz	500 kHz	2 MHz	3 MHz	10 MHz	15 MHz	20 MHz
Scan time	Auto	Auto	Auto	Auto	Auto	Auto	Auto
Video bandwidth filter (Hz)	30	30	100	100	100	300	300

6.3 Spectral lines at the symbol rate

The power level of spectral lines at a distance from the channel centre frequency equal to the symbol rate shall be more than 35 dB below the transmitter output power level (reference point B').

6.4 Spurious emissions

According to CEPT/ERC Recommendation 74-01 [19], the external spurious emissions are defined as emissions at frequencies which are removed from the nominal carrier frequency more than $\pm 250\%$ of the relevant channel separation.

Outside the band of $\pm 250\%$ of the relevant channel separation (CS), the Fixed Service radio systems spurious emission limits, defined by CEPT/ERC Recommendation 74-01 [19] together with the frequency range to consider for conformance measurement, shall apply at reference point C'.

6.5 Radio frequency tolerance

Radio frequency tolerances are included in the spectrum masks given in figure 2. They include both tuning accuracy and environmental effects as well as long term ageing.

NOTE: For conformance testing purposes, the manufacturer should state the frequency tolerance to be taken into account for long term ageing and the mask reduced accordingly.

6.6 Return loss

The return loss measured towards the transmitter output port (point C') at the operating frequency shall not be less than 15 dB.

7 Receiver characteristics

7.1 Receiver image rejection(s)

The definition of a receiver image rejection is not applicable to receivers with direct demodulation.

If applicable the receiver image rejection shall be:

- Class 1 and 2: 75 dB minimum;
- Class 3: 85 dB minimum.

7.2 Receiver spurious emissions

At reference point C, the limit values of CEPT/ERC Recommendation 74-01 [19] shall apply.

7.3 Input level range

The dynamic range of the receiver for a BER $< 10^{-3}$ shall extend for a minimum of 55 dB above the lower threshold for BER = 10^{-3} referenced to point C.

7.4 Return loss

The return loss measured towards the receiver input (point C) at the operating frequency shall not be less than 15 dB.

8 System characteristics

8.1 BER as a function of receiver input level

The reference point for the definition of the BER curve as a function of receiver input level is point C. The receive signal level for the relevant BER given in tables 6a, b and c shall not be exceeded (these levels do not include any hybrid loss).

Table 6a: Receiver sensitivity for Class 1 equipment

Channel Spacing	BER 10 ⁻³ level (dBm)	BER 10 ⁻⁶ level (dBm)
25 kHz	-109	-105
75 kHz	-104	-100
250 kHz	-98	-94
500 kHz	-96	-92
1 MHz	-93	-89
2 MHz	-90	-86
3,5 MHz	-87	-83

Table 6b: Receiver sensitivity for Class 2 equipment

Channel Spacing	BER 10 ⁻³ level (dBm)	BER 10 ⁻⁶ level (dBm)
25 kHz	-112	-108
75 kHz	-107	-103
250 kHz	-101	-97
500 kHz	-99	-95
1 MHz	-96	-92
2 MHz	-93	-89
3,5 MHz	-90	-86

Table 6c: Receiver sensitivity for Class 3 equipment

Channel Spacing	BER 10 ⁻³ level (dBm)	BER 10 ⁻⁶ level (dBm)
25 kHz	-105	-101
75 kHz	-101	-97
250 kHz	-95	-91
500 kHz	-93	-89
1 MHz	-90	-86
2 MHz	-87	-83
3,5 MHz	-84	-80

8.2 Equipment background BER

The equipment background BER under simulated operating conditions without interference is measured with a signal level at point C which is 10dB above the level which gives BER = 10⁻⁶. The measurement period shall not be less than 15 hours.

- For measurements at system access rates up to 192 kbit/s: residual BER < 10⁻⁹.
- For all other system access rates: residual BER < 10⁻¹⁰.

8.3 Interference sensitivity

The method to uniquely define equipment parameters to evaluate interference sensitivity between dissimilar equipment, e.g. capacity, modulation method etc. is subject to further study.

Method of testing like interferer Wanted to Unwanted (W/U) signal ratio

For a receiver operating at the 10^{-6} BER threshold given in tables 6a, b and c, the introduction of a like interferer at a level given in table 7, with respect to the wanted signal shall not result in a BER greater than 10^{-5} . Measurements shall be done with an interferer at the co-channel frequency and at the first and second adjacent channel frequencies.

Reference points

All receive signal levels and Signal to Interference Ratio (S/I) measurements shall be referred to point B of the block diagram shown in figure 1.

8.3.1 Co-channel interference

The limits of the co-channel interference sensitivity shall be as given in table 7.

8.3.2 Adjacent channel interference

The limits of the adjacent channel interference sensitivity shall be as given in table 7.

Table 7: W/U conditions for co and adjacent channel interferences tests

	Channel Spacing	Co-Channel	Adjacent	Channel
		0	1	≥ 2
Frequency separation	25 kHz	0 kHz	25 kHz	50 kHz
	75 kHz	0 kHz	75 kHz	150 kHz
	250 kHz	0 kHz	250 kHz	500 kHz
	500 kHz	0 kHz	500 kHz	1 MHz
	1 MHz	0 kHz	1 MHz	2 MHz
	2 MHz	0 kHz	2 MHz	4 MHz
	3,5 MHz	0 kHz	3,5 MHz	7 MHz
W/U Ratio (dB)	Class 1 & 2	23 dB	0 dB	-25 dB
	Class 3	30 dB	0 dB	-25 dB

NOTE: These values do not include any cross-polar discrimination improvement.

8.3.3 CW Spurious interference

The CW spurious response rejection ratio of a receiver is a measure of its ability to discriminate between the wanted signal at the nominal channel frequency of the receiver and an unwanted signal at any other frequency at which a response is obtained.

For a receiver operating at the 10^{-6} BER threshold given in table 6a, 6b, 6c, the introduction of a CW interferer at a level of +30 dB, with respect to the wanted signal and at any frequency in the range 30 MHz to 10 GHz, excluding frequencies either side of the wanted frequency by up to twice the co-polar channel spacing, shall not result in a BER greater than 10^{-5} .

This test is designed to identify specific frequencies at which the receiver may have a spurious response, for example, image frequency, harmonics of the receive filter, etc. The actual test range should be adjusted accordingly. The test is not intended to imply a relaxed specification at all out of band frequencies specified elsewhere in the present document.

9 Feeder/antenna requirements

The parameters and values are specified in EN 300 631 [12].

Annex A (informative): Indicative channel capacities

The indicative channel capacities (gross bit rate) for the three classes of equipment are based on the maximum gross bit rate for the minimum modulation level in each class. It is possible to improve on the gross bit rate by using higher modulation schemes within each class. The use of higher modulation levels within each class is permitted so long as the limits of the relevant spectral power density mask are not exceeded.

Table A.1: Indicative channel capacities (gross bit rate) for each equipment class

Channel	Class 1 equipment	Class 2 equipment	Class 3 equipment
25 kHz	20 kbit/s	32 kbit/s	64 kbit/s
75 kHz	60 kbit/s	95 kbit/s	190 kbit/s
250 kHz	200 kbit/s	325 kbit/s	650 kbit/s
500 kHz	400 kbit/s	650 kbit/s	1 300 kbit/s
1 MHz	800 kbit/s	1 300 kbit/s	2 600 kbit/s
2 MHz	1 600 kbit/s	2 600 kbit/s	5 200 kbit/s
3,5 MHz	2 800 kbit/s	4 500 kbit/s	9 100 kbit/s

History

Document history		
Edition 1	March 1997	Published as ETS 300 630
Amendment 1	August 1999	One-step Approval Procedure OAP 9956: 1999-08-25 to 1999-12-24
V1.2.1	March 2000	Publication