

**Digital Enhanced Cordless Telecommunications (DECT);  
Common Interface (CI) Test Case Library (TCL);  
Part 7: Abstract Test Suite (ATS) for Network (NWK) layer -  
Portable radio Termination (PT)**

---



---

**Reference**

REN/DECT-040131-7 (4lpr0100.PDF)

---

**Keywords**

ATS, DECT, network, testing, TTCN, terminal

**ETSI**

---

**Postal address**

F-06921 Sophia Antipolis Cedex - FRANCE

---

**Office address**

650 Route des Lucioles - Sophia Antipolis  
Valbonne - FRANCE  
Tel.: +33 4 92 94 42 00 Fax: +33 4 93 65 47 16  
Siret N° 348 623 562 00017 - NAF 742 C  
Association à but non lucratif enregistrée à la  
Sous-Préfecture de Grasse (06) N° 7803/88

---

**Internet**

secretariat@etsi.fr  
<http://www.etsi.fr>  
<http://www.etsi.org>

---

**Copyright Notification**

---

No part may be reproduced except as authorized by written permission.  
The copyright and the foregoing restriction extend to reproduction in all media.

© European Telecommunications Standards Institute 1998.  
All rights reserved.

# Contents

Intellectual Property Rights.....	5
Foreword .....	5
1 Scope.....	6
2 References.....	6
3 Definitions, symbols and abbreviations.....	7
3.1 Definitions .....	7
3.2 DECT abbreviations .....	7
4 Abstract Test Method (ATM).....	9
4.1 ATM.....	9
4.2 DLC primitives .....	10
4.2.1 S-SAP primitives.....	10
4.2.2 B-SAP primitives .....	13
4.3 TC execution sequence .....	13
5 Untestable Test Purposes (TP).....	14
6 ATS conventions.....	14
6.1 Naming conventions .....	14
6.1.1 Declarations part .....	14
6.1.1.1 Test suite type, ASP and PDU type definitions .....	14
6.1.1.2 Test Suite Operations (TSO) definitions .....	15
6.1.1.3 Test suite selection expressions .....	15
6.1.1.4 Test Suite Parameter (TSP) declarations .....	15
6.1.1.5 Test Case Selection (TCS) expression definitions.....	15
6.1.1.6 Test Suite Constant (TSC) declarations.....	15
6.1.1.7 Test Suite Variable (TSV) declarations.....	16
6.1.1.8 Test Case Variable (TCV) declarations.....	16
6.1.1.9 Point of Control and Observation (PCO) declarations.....	16
6.1.1.10 Timer declarations .....	16
6.1.1.11 ASP type definitions .....	16
6.1.1.12 PDU type definitions .....	16
6.1.1.13 Alias definitions.....	17
6.1.2 Constraints part .....	17
6.1.3 Dynamic part.....	18
6.1.3.1 Test Case (TC) identifier .....	18
6.1.3.2 Test Step (TS) identifier .....	18
6.1.3.3 Default identifier.....	19
6.1.3.4 General aspects.....	19
6.1.3.5 ATS abbreviations .....	19
6.2 Implementation conventions .....	20
6.2.1 Declaration part.....	20
6.2.2 Constraint part.....	20
6.2.3 Dynamic part.....	20
6.2.4 Documentation .....	21

<b>Annex A (normative):</b>	<b>Abstract Test Suite (ATS) for NWK testing .....</b>	<b>22</b>
A.1	The TTCN Graphical form (TTCN.GR).....	22
A.2	The TTCN Machine Processable form (TTCN.MP) .....	22
<b>Annex B (normative):</b>	<b>Partial PIXIT proforma.....</b>	<b>23</b>
B.1	Identification summary .....	23
B.2	ATS summary .....	23
B.3	Test laboratory .....	23
B.4	Client identification .....	23
B.5	SUT .....	24
B.6	Protocol layer information .....	24
B.6.1	Protocol identification.....	24
B.6.2	IUT information.....	25
<b>Annex C (normative):</b>	<b>Protocol Conformance Test Report (PCTR) proforma for DECT NWK.....</b>	<b>30</b>
C.1	Identification summary .....	30
C.1.1	Protocol conformance test report.....	30
C.1.2	IUT identification .....	30
C.1.3	Testing environment .....	30
C.1.4	Limits and reservation.....	31
C.1.5	Comments .....	31
C.2	IUT conformance status .....	31
C.3	Static conformance summary .....	31
C.4	Dynamic conformance summary.....	32
C.5	Static conformance review report .....	32
C.6	Test campaign report.....	33
C.7	Observations.....	36
	Bibliography.....	37
	History .....	38

## Intellectual Property Rights

IPRs essential or potentially essential to the present document may have been declared to ETSI. The information pertaining to these essential IPRs, if any, is publicly available for **ETSI members and non-members**, and can be found in SR 000 314: "*Intellectual Property Rights (IPRs); Essential, or potentially Essential, IPRs notified to ETSI in respect of ETSI standards*", which is available **free of charge** from the ETSI Secretariat. Latest updates are available on the ETSI Web server (<http://www.etsi.fr/ipr> or <http://www.etsi.org/ipr>).

Pursuant to the ETSI IPR Policy, no investigation, including IPR searches, has been carried out by ETSI. No guarantee can be given as to the existence of other IPRs not referenced in SR 000 314 (or the updates on the ETSI Web server) which are, or may be, or may become, essential to the present document.

## Foreword

This European Standard (Telecommunications series) has been produced by ETSI Project Digital Enhanced Cordless Telecommunications (DECT), and is now submitted for the Public Enquiry phase of the ETSI standards Two-step Approval Procedure.

The present document is part 7 of a multi-part EN covering the Common Interface (CI) Test Case Library (TCL), as identified below:

- Part 1: "Test Suite Structure (TSS) and Test Purposes (TP) for Medium Access Control (MAC) layer";
- Part 2: "Abstract Test Suite (ATS) for Medium Access Control (MAC) layer - Portable radio Termination (PT)";
- Part 3: "Abstract Test Suite (ATS) for Medium Access Control (MAC) layer - Fixed radio Termination (FT)";
- Part 4: "Test Suite Structure (TSS) and Test Purposes (TP) - Data Link Control (DLC) layer";
- Part 5: "Abstract Test Suite (ATS) - Data Link Control (DLC) layer";
- Part 6: "Test Suite Structure (TSS) and Test Purposes (TP) - Network (NWK) layer - Portable radio Termination (PT)";
- Part 7: "Abstract Test Suite (ATS) for Network (NWK) layer - Portable radio Termination (PT)";**
- Part 8: "Test Suite Structure (TSS) and Test Purposes (TP) - Network (NWK) layer - Fixed radio Termination (FT)";
- Part 9: "Abstract Test Suite (ATS) for Network (NWK) layer - Fixed radio Termination (FT)".

<b>Proposed national transposition dates</b>	
Date of latest announcement of the present document (doa):	3 months after ETSI publication
Date of latest publication of new National Standard or endorsement of the present document (dop/e):	6 months after doa
Date of withdrawal of any conflicting National Standard (dow):	6 months after doa

---

# 1 Scope

The present document contains the Abstract Test Suite (ATS) to test the Network (NWK) layer, Portable radio Termination (PT).

The objective of this test specification is to provide a basis for approval tests for DECT equipment giving a high probability of air interface inter-operability between different manufacturer's DECT equipment. This test specification contains the Abstract Test Suite for testing of the NWK layer at the PT.

The ISO standard for the methodology of conformance testing (ISO/IEC 9646 parts 1 to 7 [9] to [15]) as well as the ETSI rules for conformance testing (protocol and profile conformance testing specifications, standardization methodology ETS 300 406 [7]) are used as basis for the test methodology.

Test specifications for the Physical Layer (PHL) are provided in other DECT standards.

Annex B provides the partial Protocol Implementation Extra Information for Testing (PIXIT) Proforma.

---

# 2 References

The following documents contain provisions which, through reference in this text, constitute provisions of the present document.

- References are either specific (identified by date of publication, edition number, version number, etc.) or non-specific.
- For a specific reference, subsequent revisions do not apply.
- For a non-specific reference, the latest version applies.
- A non-specific reference to an ETS shall also be taken to refer to later versions published as an EN with the same number.

- [1] EN 300 175-1: "Digital Enhanced Cordless Telecommunications (DECT); Common Interface (CI); Part 1: Overview".
- [2] EN 300 175-4: "Digital Enhanced Cordless Telecommunications (DECT); Common Interface (CI); Part 4: Data Link Control (DLC) layer".
- [3] EN 300 175-5: "Digital Enhanced Cordless Telecommunications (DECT); Common Interface (CI); Part 5: Network (NWK) layer".
- [4] EN 300 175-6: "Digital Enhanced Cordless Telecommunications (DECT); Common Interface (CI); Part 6: Identities and addressing".
- [5] EN 300 175-7: "Digital Enhanced Cordless Telecommunications (DECT); Common Interface (CI); Part 7: Security features".
- [6] ETS 300 497-1: "Digital Enhanced Cordless Telecommunications (DECT); Common Interface (CI) Test Case Library (TCL); Part 1: Test Suite Structure (TSS) and Test Purposes (TP) for Medium Access Control (MAC) layer".
- [7] ETS 300 406: "Methods for Testing and Specification (MTS); Protocol and profile conformance testing specifications; Standardization methodology".
- [8] EN 300 444: "Digital Enhanced Cordless Telecommunications (DECT); Generic Access Profile (GAP)".
- [9] ISO/IEC 9646-1: "Information technology; Open Systems Interconnection; Conformance testing methodology and framework; Part 1: General concepts".
- [10] ISO/IEC 9646-2: "Information technology; Open Systems Interconnection; Conformance testing methodology and framework; Part 2: Abstract Test Suite Specification".

- [11] ISO/IEC 9646-3: "Information technology; Open Systems Interconnection; Conformance testing methodology and framework; Part 3: The Tree and Tabular Combined Notation (TTCN)".
- [12] ISO/IEC 9646-4: "Information technology; Open Systems Interconnection; Conformance testing methodology and framework; Part 4: Test realization".
- [13] ISO/IEC 9646-5: "Information technology; Open Systems Interconnection; Conformance testing methodology and framework ; Part 5: Requirements on test laboratories and clients for the Conformance Assessment process".
- [14] ISO/IEC 9646-6: "Information technology; Open Systems Interconnection; Conformance testing methodology and framework; Part 6: Protocol Profile Test Specification".
- [15] ISO/IEC 9646-7: "Information technology; Open Systems Interconnection; Conformance testing methodology and framework - Part 7: Implementation Conformance statement".
- [16] ETR 141: "Methods for Testing and Specification (MTS); Protocol and profile conformance testing specifications; The Tree and Tabular Combined Notation (TTCN) style guide".

## 3 Definitions, symbols and abbreviations

### 3.1 Definitions

For the purposes of the present document, the definitions given in ISO/IEC 9646-1 [9], ISO/IEC 9646-2 [10], EN 300 175-1 [1], EN 300 175-5 [3], EN 300 175-6 [4] and EN 300 175-7 [5] apply.

### 3.2 DECT abbreviations

For the purposes of the present document, the following abbreviations apply:

AC	Authentication Code
ASP	Abstract Service Primitive
ATS	Abstract Test Suite
AU	Authentication
BI	Invalid Behaviour
BO	Inopportune Behaviour
BV	Valid Behaviour
CA	Capability
CC	Call Control
CH	Ciphering
CI	Call Information
CR	Call Release
DECT	Digital Enhanced Cordless Telecommunications
DLC	Data Link Control
FT	Fixed radio Termination
HP	Handover Procedure
IC	Incoming Call
ID	Identification
IPEI	International Portable Equipment Identity
IPUI	International Portable User Identity
IUT	Implementation Under Test
IWU	Interworking Unit
KA	Key Allocation
LC	Link Control entity
LE	Connection oriented Link Establishment
LO	Location
LR	Connection oriented Link Release
LT	Lower Tester

MAC	Medium Access Control
ME	Management Entity
MM	Mobility Management
NWK	Network layer
OC	Outgoing Call
PARK	Portable Access Rights Key
PCO	Point of Control and Observation
PCTR	Protocol Conformance Test Report
PDU	Protocol Data Unit
PHL	Physical Layer
PICS	Protocol Implementation Conformance Statement
PIXIT	Protocol Implementation Extra Information for Testing
PT	Portable radio Termination
RPN	Radio Fixed Part Number
RS	Call Related Supplementary Services
SUT	System Under Test
TCS	Test Case Selection
TCV	Test Case Variable
TP	Test Purposes
TSC	Test Suite Constant
TSO	Test Suite Operation
TSP	Test Suite Parameter
TSS	Test Suite Structure
TSV	Test Suite Variable
TTCN	Tree and Tabular Combined Notation
UT	Upper Tester



## 4 Abstract Test Method (ATM)

This clause describes the ATM, the Point of Control and Observation (PCO) used to test the NWK layer of the PT.

### 4.1 ATM

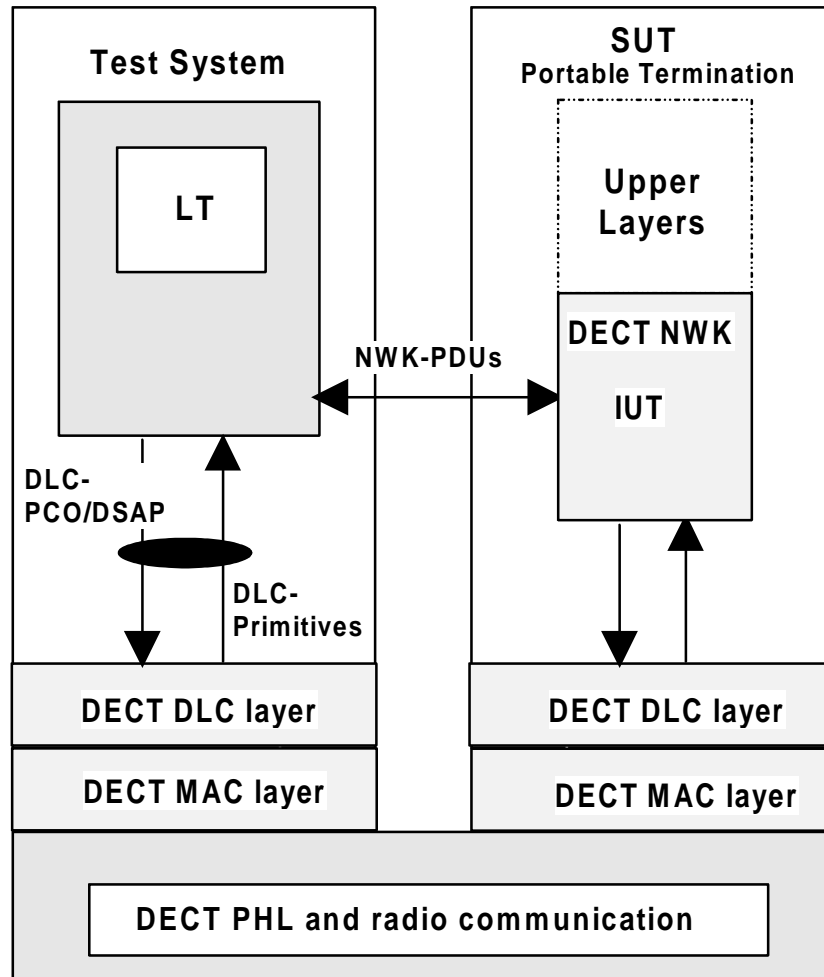


Figure 1: Remote single layer test method embedded variant

**LT1:** a lower tester (LT1) is located in a remote DECT test system. It controls and observes the behaviour of the Implementation Under Test (IUT).

**DSAP:** a unique Data Link Control (DLC) SAP is defined at the DECT interface and used to exchange service data of the NWK protocol.

**PCO:** the PCO for Network Layer testing is located on the DSAP. All test events at the PCO are specified in terms of DLC Abstract Service Primitives (ASPs) and NWK Protocol Data Units (PDUs).

**Upper layers / tester:** no explicit Upper Tester (UT) exists in the test system. However, the System Under Test (SUT) needs to carry out some UL functions to achieve some effects of test co-ordination procedures. Designing ATS, the capability of the Interworking Unit (IWU), such as PSTN, ISDN or GSM IWUs might be taken into account. An example of such controls could be to provoke restarting of the IUT through the Q interface.

## 4.2 DLC primitives

In this subclause the DSAP primitives are defined according to EN 300 175-4 [2], subclause 8.3.2 (S-SAP primitives) and EN 300 175-4 [2], subclause 8.3.3 (B-SAP primitives).

### 4.2.1 S-SAP primitives

**Table 1: DL\_DATA\_IND primitive**

ASP Declaration		
ASP NAME DL_DATA_IND	PCO TYPE S-SAP	COMMENTS EN 300 175-4 [2], subclause 8.3.2.3
Service control information		
Parameter name	Type	Comments
data_link_endpoint_identifier	DATA_LINK_ENDPOINT_IDENTIFIER (INTEGER)	EN 300 175-4 [2], subclause 7.3.6
message_unit	PDU	EN 300 175-4 [2], subclause 8.3.1

**Table 2: DL\_DATA\_REQ primitive**

ASP Declaration		
ASP NAME DL_DATA_REQ	PCO TYPE S-SAP	COMMENTS EN 300 175-4 [2], subclause 8.3.2.3
Service control information		
Parameter name	Type	Comments
data_link_endpoint_identifier	DATA_LINK_ENDPOINT_IDENTIFIER (INTEGER)	EN 300 175-4 [2], subclause 7.3.6
message_unit	PDU	EN 300 175-4 [2], subclause 8.3.1

**Table 3: DL\_ENCRYPT\_CNF primitive**

ASP Declaration		
ASP NAME DL_ENCRYPT_CNF	PCO TYPE S-SAP	COMMENTS EN 300 175-4 [2], subclause 8.3.2.8
Service control information		
Parameter name	Type	Comments
data_link_endpoint_identifier	DATA_LINK_ENDPOINT_IDENTIFIER (INTEGER)	EN 300 175-4 [2], subclause 7.3.6
encryption_status	CIPHER_STATUS (INTEGER(0,1))	EN 300 175-4 [2], subclause 8.3.1

**Table 4: DL\_ENCRYPT\_IND primitive**

ASP Declaration		
ASP NAME DL_ENCRYPT_IND	PCO TYPE S-SAP	COMMENTS EN 300 175-4 [2], subclause 8.3.2.8
Service control information		
Parameter name	Type	Comments
data_link_endpoint_identifier	DATA_LINK_ENDPOINT_IDENTIFIER (INTEGER)	EN 300 175-4 [2], subclause 7.3.6
connection_identities	CONNECTION_IDENTITIES (OCTETSTRING)	EN 300 175-4 [2], subclause 8.3.1
encryption_status	CIPHER_STATUS (INTEGER(0,1))	EN 300 175-4 [2], subclause 8.3.1

Table 5: DL\_ENCRYPT\_REQ primitive

ASP Declaration		
ASP NAME DL_ENCRYPT_REQ	PCO TYPE S-SAP	COMMENTS EN 300 175-4 [2], subclause 8.3.2.8
Service control information		
Parameter name	Type	Comments
data_link_endpoint_identifier	DATA_LINK_ENDPOINT_IDENTIFIER (INTEGER)	EN 300 175-4 [2], subclause 7.3.6
connection_identities	CONNECTION_IDENTITIES (OCTETSTRING)	EN 300 175-4 [2], subclause 8.3.1
encryption_status	CIPHER_STATUS (INTEGER(0,1))	EN 300 175-4 [2], subclause 8.3.1

Table 6: DL\_ENC\_KEY\_REQ primitive

ASP Declaration		
ASP NAME DL_ENC_KEY_REQ	PCO TYPE S-SAP	COMMENTS EN 300 175-4 [2], subclause 8.3.2.7
Service control information		
Parameter name	Type	Comments
data_link_endpoint_identifier	DATA_LINK_ENDPOINT_IDENTIFIER (INTEGER)	EN 300 175-4 [2], subclause 7.3.6
connection_identities	CONNECTION_IDENTITIES (OCTETSTRING)	EN 300 175-4 [2], subclause 8.3.1
encryption_key	ENCRYPTION_KEY (BITSTRING[64])	EN 300 175-4 [2], subclause 8.3.1

Table 7: DL\_ESTABLISH\_CNF primitive

ASP Declaration		
ASP NAME DL_ESTABLISH_CNF	PCO TYPE S-SAP	COMMENTS EN 300 175-4 [2], subclause 8.3.2.1
Service control information		
Parameter name	Type	Comments
data_link_endpoint_identifier	DATA_LINK_ENDPOINT_IDENTIFIER (INTEGER)	EN 300 175-4 [2], subclause 7.3.6

Table 8: DL\_ESTABLISH\_IND primitive

ASP Declaration		
ASP NAME DL_ESTABLISH_IND	PCO TYPE S-SAP	COMMENTS EN 300 175-4 [2], subclause 8.3.2.1
Service control information		
Parameter name	Type	Comments
data_link_endpoint_identifier	DATA_LINK_ENDPOINT_IDENTIFIER (INTEGER)	EN 300 175-4 [2], subclause 7.3.6
establish_mode	ESTABLISH_MODE (INTEGER(0,1,2))	EN 300 175-4 [2], subclause 8.3.1
radio_fixed_part_number	RADIO_FIXED_PART_NUMBER (INTEGER)	EN 300 175-4 [2], subclause 8.3.1
message_unit	PDU	EN 300 175-4 [2], subclause 8.3.1

Table 9: DL\_ESTABLISH\_REQ primitive

ASP Declaration		
ASP NAME DL_ESTABLISH_REQ	PCO TYPE S-SAP	COMMENTS EN 300 175-4 [2], subclause 8.3.2.1
Service control information		
Parameter name	Type	Comments
data_link_endpoint_identifier	DATA_LINK_ENDPOINT_IDENTIFIER (INTEGER)	EN 300 175-4 [2], subclause 7.3.6
establish_mode	ESTABLISH_MODE (INTEGER(0,1,2))	EN 300 175-4 [2], subclause 8.3.1
radio_fixed_part_number	RADIO_FIXED_PART_NUMBER (INTEGER)	EN 300 175-4 [2], subclause 8.3.1
message_unit	PDU	EN 300 175-4 [2], subclause 8.3.1

Table 10: DL\_ESTABLISH\_RES primitive

ASP Declaration		
ASP NAME DL_ESTABLISH_RES	PCO TYPE S-SAP	COMMENTS EN 300 175-4 [2], subclause 8.3.2.1
Service control information		
Parameter name	Type	Comments
data_link_endpoint_identifier	DATA_LINK_ENDPOINT_IDENTIFIER (INTEGER)	EN 300 175-4 [2], subclause 7.3.6

Table 11: DL\_RELEASE\_CNF primitive

ASP Declaration		
ASP NAME DL_RELEASE_CNF	PCO TYPE S-SAP	COMMENTS EN 300 175-4 [2], subclause 8.3.2.2
Service control information		
Parameter name	Type	Comments
data_link_endpoint_identifier	DATA_LINK_ENDPOINT_IDENTIFIER (INTEGER)	EN 300 175-4 [2], subclause 7.3.6
release_mode	RELEASE_MODE (INTEGER(0,1))	EN 300 175-4 [2], subclause 8.3.1

Table 12: DL\_RELEASE\_IND primitive

ASP Declaration		
ASP NAME DL_RELEASE_IND	PCO TYPE S-SAP	COMMENTS EN 300 175-4 [2], subclause 8.3.2.2
Service control information		
Parameter name	Type	Comments
data_link_endpoint_identifier	DATA_LINK_ENDPOINT_IDENTIFIER (INTEGER)	EN 300 175-4 [2], subclause 7.3.6
release_mode	RELEASE_MODE (INTEGER(0,1))	EN 300 175-4 [2], subclause 8.3.1

Table 13: DL\_RELEASE\_REQ primitive

ASP Declaration		
ASP NAME DL_RELEASE_REQ	PCO TYPE S-SAP	COMMENTS EN 300 175-4 [2], subclause 8.3.2.2
Service control information		
Parameter name	Type	Comments
data_link_endpoint_identifier	DATA_LINK_ENDPOINT_IDENTIFIER (INTEGER)	EN 300 175-4 [2], subclause 7.3.6
release_mode	RELEASE_MODE (INTEGER(0,1))	EN 300 175-4 [2], subclause 8.3.1

## 4.2.2 B-SAP primitives

Table 14: DL\_BROADCAST\_IND primitive

ASP Declaration		
ASP NAME DL_BROADCAST_IND	PCO TYPE B-SAP	COMMENTS EN 300 175-4 [2], subclause 8.3.3.1
Service control information		
Parameter name	Type	Comments
cluster_address_list	CLUSTER_ADDRESS_LIST (OCTETSTRING)	EN 300 175-4 [2], subclause 8.3.1
message_unit	PDU	EN 300 175-4 [2], subclause 8.3.1
extended_message_flag	BIT_1 (BITSTRING[1])	EN 300 175-4 [2], subclause 8.3.1
error_flag	BIT_1 (BITSTRING[1])	EN 300 175-4 [2], subclause 8.3.1

Table 15: DL\_BROADCAST\_REQ primitive

ASP Declaration		
ASP NAME DL_BROADCAST_REQ	PCO TYPE B-SAP	COMMENTS EN 300 175-4 [2], subclause 8.3.3.1
Service control information		
Parameter name	Type	Comments
cluster_address_list	CLUSTER_ADDRESS_LIST (OCTETSTRING)	EN 300 175-4 [2], subclause 8.3.1
message_unit	PDU	EN 300 175-4 [2], subclause 8.3.1
extended_message_flag	BIT_1 (BITSTRING[1])	EN 300 175-4 [2], subclause 8.3.1

## 4.3 TC execution sequence

The test cases can be executed in any order with no restrictions.

## 5 Untestable Test Purposes (TP)

This clause gives a list of TP which are not implemented in the ATS (annex A) due to the chosen ATM or other restrictions.

**Table 16: Untestable TP (1)**

Test Purpose	Reference to EN 300 497-7
TP/PT/CC/BV/HP-68	
TP/PT/CC/BV/HP-75	
TP/PT/CC/BO-50	
TP/PT/MM/BV/PR-01	
TP/PT/IS/BV-01	
TP/PT/IS/BV-02	
TP/PT/IS/BV-03	
TP/PT/IS/BV-04	
TP/PT/CL/BV-01	
TP/PT/CL/BV-02	
TP/PT/CL/BV-03	

## 6 ATS conventions

The ATS conventions are intended to give a better understanding of the ATS but they describe also the conventions made for the development of the ATS. Thus for any later maintenance purposes or further development of the ATS the conventions described in this clause shall be considered.

The ATS conventions contain two clauses, the naming conventions and the implementation conventions. The naming conventions describe the structure of the naming of all ATS elements. The implementation conventions describe the functional structure of the ATS.

To define the ATS the guidelines of the documents ETS 300 406 [7] and ETR 141 [16] were considered.

### 6.1 Naming conventions

#### 6.1.1 Declarations part

This subclause describes the naming conventions chosen for the elements of the ATS declarations part. The following general rules apply:

- identifiers shall be written in lowercase;
- type declarations shall be written in uppercase;
- constraints shall be written with the first letter in uppercase, and the rest in lowercase.

Information elements are coded in the order from top to bottom and from right to left, in order to make the encoding and decoding easier.

##### 6.1.1.1 Test suite type, ASP and PDU type definitions

The test suite type-definitions, the ASP type definitions and the PDU type definitions shall be written in uppercase. Identifier names of structured type definitions and of the ASP and PDU type definitions, shall be written in lowercase.

Types related to a certain higher layer entity shall commence with a protocol identifier to define which entity they belong to.

EXAMPLE 1: Call Control: cc e.g. CC\_SETUP.

Id names of Structured Types which are used for invalid tests commence with "bi":

EXAMPLE 2: Bi\_cc\_setup\_tx01.

The following ASP primitives are not defined in the present document.

- DL\_UNIT\_DATA;
- DL\_SUSPEND;
- DL\_RESUME;
- DL\_EXPEDITED.

The following primitives are defined, but not used in this test suite:

- DL\_BROADCAST\_IND;
- DL\_ESTABLISH\_CFM;
- DL\_ESTABLISH\_RES.

#### 6.1.1.2 Test Suite Operations (TSO) definitions

The TSO identifiers are composed of a string in uppercase letters starting by the string "TSO\_" (e.g. TSO\_INTEGER\_TO\_O\_1).

#### 6.1.1.3 Test suite selection expressions

All selection expression names for test groups are to be preceded with the prefix "SENG\_".

All selection expression names for test cases are to be preceded with the prefix "SENC\_".

#### 6.1.1.4 Test Suite Parameter (TSP) declarations

The TSP identifiers are composed of a string in uppercase letters starting by the string "TSP\_" (e.g. TSP\_WINDOW\_SIZE).

If the TSP references a Protocol Implementation Conformance Statement (PICS) item, the letter "C" is added to the standard prefix (e.g. TSPC\_PICS\_ITEM\_S23).

If the TSP references a PIXIT item, the letter "X" is added to the standard prefix (e.g. TSPX\_PIXIT\_ITEM\_2).

**Exception:** If the TSP represents a system parameter or value, only the name defined in the specifications is used (e.g. V\_S = send sequence variable).

Complete names as defined in the specifications are used.

#### 6.1.1.5 Test Case Selection (TCS) expression definitions

The naming conventions for the TCS expression definitions use almost the same rules as the TSP, except for the prefix that is "TCS\_". Also they are logical combinations of the TSP definitions.

#### 6.1.1.6 Test Suite Constant (TSC) declarations

The TSC identifiers are composed of a string in uppercase letters starting by the string "TSC\_" (e.g. TSC\_RETRY).

**Exception:** If the TSC represents a system parameter or value, only the name defined in the specifications is used (e.g. N250).

Complete names as defined in the specifications are used.

### 6.1.1.7 Test Suite Variable (TSV) declarations

The TSV identifiers are composed of a string in uppercase letters starting by the string "TSV\_".

Complete names as defined in the specifications are used.

### 6.1.1.8 Test Case Variable (TCV) declarations

The TCV identifiers are composed of a string in uppercase letters starting by the string "TCV\_".

EXAMPLE: TCV\_CRVALUE.

Complete names as defined in the specifications are used.

### 6.1.1.9 Point of Control and Observation (PCO) declarations

The PCO identifiers are composed of two or four capital letters, beginning with "L", as there are only LTs.

EXAMPLE: LMAC represents a PCO on Medium Access Control (MAC) interface as LT in the test equipment;  
LDLC represents a PCO on DLC interface as LT in the test equipment.

### 6.1.1.10 Timer declarations

Two types of timers can be identified:

1) standardized:

- those defined in the standard, e.g. T302. They use exactly the same name as in the standard, beginning with a capital "T";
- as there is a tolerance margin accepted for these timers, three values are needed:
  - the maximum value allowed, which will use the suffix "\_max";
  - the minimum value allowed, which will use the suffix "\_min";
  - the value actually implemented, with no suffix.

EXAMPLE 1: T302\_max, T302\_min, and T302.

2) not standardized:

- those not defined in the standard, i.e. for execution use, e. g. a timer waiting for a response. These timers begin with the prefix "T\_", followed by a string in capital letters.

EXAMPLE 2: T\_RESP represents a timer for controlling the response time of the IUT.

### 6.1.1.11 ASP type definitions

The identifier of an ASP uses exactly the same name as the name defined in the specifications. It is written in uppercase, finishing by an underscore character ("\_"), and three capital letters indicating whether it is a request, an indication, a response or a confirmation primitive.

EXAMPLE: DL-RELEASE\_REQ for an ASP containing a layer 3 release request passed to layer 2;  
MAC-CO\_DATA\_REQ for an ASP containing a layer 2b PDU passed to layer 2a.

### 6.1.1.12 PDU type definitions

The identifier of a PDU is given in a string in uppercase letters, representing the layer message.

EXAMPLE 1: rr for the Receive Ready layer 2 message;  
disconnect for the DISCONNECT layer 3 message.



Where the message is a composite word, an underscore character ("\_") appears in the string.

EXAMPLE 2: release\_complete is the RELEASE COMPLETE layer 3 message.

Id names of PDUs commence with a protocol identifier to define which protocol they belong to. The following identifiers are used:

- Call Control (CC): cc e.g. CC-SETUP.

Id names of PDUs which are used for invalid tests commence with "bi":

EXAMPLE 3: BI-CC-SETUP.

### 6.1.1.13 Alias definitions

These are used to make the sending and receiving of PDUs within ASPs more understandable when writing the dynamic part of the test suite. This is done by giving the ASP an alias. The alias name indicates the PDU carried by the ASP and whether it is sent or received by the tester.

The identifier of an alias consists of a string in capital letters indicating the message, followed by two lowercase letters "r" or "s" indicating if the message should be sent or received by the tester.

## 6.1.2 Constraints part

This subclause describes the naming conventions chosen for the elements of the ATS constraints part.

Constraint identifiers commence with uppercase. The remaining part of the identifier name is written in lowercase.

Identifier names of elements concerning the same subject have equivalent names in the Declaration and the Constraint part:

- Declaration Part: cc\_setup;
- Constraint Part: Cc\_setup.

The name of the modified constraint describes the particularity of the modified constraint:

EXAMPLE: Cc\_setup\_mand\_only (modified Cc\_setup with only the mandatory Information Elements).

If formal parameter lists are used, the variable names are written in lowercase. The variable name is the same as the name of the element it is representing.

Structured type constraints declarations are divided into:

- receive constraints:

the receive constraints are noted down as "name\_rx\*". The receive constraints are subdivided into:

- receive base constraints:

they are noted down as "name\_rx\_base";

- receive special constraints:

they are noted down as "name\_rx\_<extension>", where <extension> is a descriptive name (e.g. "Signal\_rx\_alerting\_on");

- transmit constraints:

the transmit constraints are noted down as "name\_tx\_<extension>", where <extension> is a descriptive name. (e.g. "Signal\_tx\_alerting\_off");

If a certain structured type constraint is valid for both receiving and transmitting, because it contains no wildcards, and the receiving constraint should exactly match, the constraint will be noted down as:

- "<structured\_type\_name>\_extention";

EXAMPLE: "Portable\_id\_ipui".

PDU Constraints Declarations are divided into:

- receive constraints:
  - the receive constraints are noted down as "name\_rx\*". The receive constraints are subdivided into:
    - receive base constraints:
      - they are noted down as "name\_rx\_base". They constrain all allowed values, and for the optional fields, the "IF\_PRESENT" keyword is added;
    - receive special constraints:
      - they are noted down as "name\_rx0n", where n is a sequence number;
- transmit constraints:
  - the transmit constraints are noted down as "name\_tx", where n is a sequence number. They can be subdivided into:
    - transmit base constraints:
      - they are noted down as "name\_tx\_base". They constrain all mandatory fields to all allowed values in the standard, and they constrain all optional fields to "OMIT";
    - transmit special constraints:
      - they are noted down as "name\_tx0n" where n is a sequence number. They shall not contain any wildcards.

Derived constraints shall not be more than 1 level deep. They shall only be derived directly from the base constraint.

The test suite is not ready yet to handle PDU's with empty information elements. For every receive constraint, also a information element constraint with an empty parameter list should be added.

### 6.1.3 Dynamic part

This subclause describes the naming conventions chosen for the elements of the ATS dynamic part.

#### 6.1.3.1 Test Case (TC) identifier

The identifier of the TCs is built in the same way as for the TP described in EN 300 497-1 [6], subclause 5.1.1, with the exception that "TP" is replaced by "TC\_PT":

- TP identifier: TP/CC/BI-04;
- TC identifier: TC\_PT\_CC\_BI\_04.

#### 6.1.3.2 Test Step (TS) identifier

The TS identifier is built with two strings of capital letters joined by underscore character. The first string indicates the main function of the TS, e.g. PR for preamble, PO for postamble, CS for check state and STP for general step. The second string indicates the meaning of the step.

In some TCs, test steps as well as local trees can be used. To allow an easy distinguishing of them the following naming applies:

- LTS\_[local\_tree\_name] local tree;
- STP\_[test\_step\_name] test step.

TSs are grouped together according to their functionality: CC, MM, LC or ME.

### 6.1.3.3 Default identifier

The default identifiers begin with the prefix "DF\_", followed by a string in capital letters.

### 6.1.3.4 General aspects

Final verdicts will only be assigned in defaults and in postambles.

All verdict assignments are labelled. To allow an exact identification in which table the verdict was assigned, the following name convention is applied:

B	test Body
CS	Check State test steps
D	Default
E	Error handling test steps
PO	POstamble
PR	PReamble
S	test Step

Also combinations of labels are possible:

EXAMPLE: DPR --> label which is used in a default for preambles.

### 6.1.3.5 ATS abbreviations

These abbreviations are used to shorten identifier names:

ack	acknowledgement
auth	authentication
algo	algorithm
cc	call control
cfm	confirm
est	establish
ext	extension
id	identification
ind	indication
info	information
max	maximum
min	minimum
prop	proprietary
req	request
res	response

The following keywords will NOT be abbreviated in identifier names:

address(es);  
 attribute(s);  
 identity;  
 number(s);  
 character(s).

## 6.2 Implementation conventions

### 6.2.1 Declaration part

The comment line of single element Tree and Tabular Combined Notation (TTCN) tables (e.g. test suite constants) is used to give a reference where the format and content of the element is described in the relevant protocol specifications. Any particularity of the element format or content is described in the comment line.

The comment line in the header of multi element TTCN tables (e.g. ASPs) is used to reference to the protocol specification. The detailed comments are used to describe any particularity of the table.

In the ASP and PDU declarations, the comments column is used to identify if an element is mandatory or optional:

- m: mandatory;
- o: optional.

In the ASP and PDU declarations the comments column is further used to give information about the element value, in particular if the element contains a fixed spare value.

In tables where structure types are used the information element and the relevant structured type have always the same name, that allows to have the same structure as in the protocol standards is used to document the relation between information elements in a table and their specific description in an other clause of the protocol standard.

The following conventions apply to identifier names in the Structured Type definitions part:

- bits of bit sequences having a fixed value, meant to fill up the octet, are called fn, where n stands for the octet number;
- extension flags, will be called extn, where n stands for the octet number.

### 6.2.2 Constraint part

The ASPs and PDUs are defined in a way that all relevant element are parameterized. That improves the transparency of the constraints in the dynamic part, as all values which are relevant for the test are always present.

Generally no modified constraints are used, this allows an easier reuse and adaptation of constraints if they are reused in other DECT profile test specifications.

The comment line of a constraint contains always the reference to the used specifications.

The detailed comments sector is used to describe any particularity of the table.

### 6.2.3 Dynamic part

Some TCs need a particular initialization of the IUT environment conditions to run the actual test, e.g. for testing re-provisioning procedures. Such message sequence can be quite complicated and long. In cases where a Local Test Step (LTS) facilitates the TC structure, the preamble and the condition setting are described in a LTS called "LTS\_pre\_step". All LTS\_pre\_steps are described in the detailed comment part of the TTCN table.

Some TCs need after the actual test a particular re-initialization of the IUT, e.g. after re-provisioning. Such message sequence can be quite complicated and long. In cases where a Local Test Step (LTS) facilitates the TC structure, the postamble and the re-initialization are described in a LTS called "LTS\_post\_step". All LTS\_post\_steps are described in the detailed comment part of the TTCN table.

All events which are defined as a conformance requirements by the TP, cause a preliminary verdict PASS if the requirement is met.

All invalid events are handled in the default tree. FAIL verdicts are only assigned in the default tree.

The preamble, the test body and the postamble have different defaults, what allows a specific verdict handling, e.g. only INCONC verdicts are assigned in the preamble.

Test steps do not contain a default. That allows to apply them with no restrictions regarding the error handling.

All verdict assignments are labelled. According to ISO 9646-3 [11], annex E.2, labels should be written to the conformance log. This allows to identify where the test failed. To allow an exact identification in which table the verdict was assigned, the naming convention as described in subclause 6.1.3.3 is applied.

The labels of the same type are numbered sequentially if they are in the same TC, test step or default.

TP which are listed in the untestable TP list in clause 5, or which reference to an other TP, e.g. BV TP which were already defined as CA TP, are not considered in the ATS, thus these TC identifiers are missing in the ATS and the numbering of the TCs is not always continues.

## 6.2.4 Documentation

The comment line of the TC or test step header contains a reference to the relevant protocol specification.

The comment column of the dynamic behaviour part is used to number the test events which are relevant for the particular test or test operation.

Based on the numbering in the comment column all for the TC relevant events are described in the Detailed Comments part of each TTCN table.

Test procedures which cover a conformance requirement and lead to a preliminary or final verdict assignment are described as follows in the Detailed Comments part:

- expected event: a specific receive event is expected;
- expected behaviour: no event or a timer expiry is expected;
- expected status: the IUT is expected to be in a particular status.

---

## Annex A (normative): Abstract Test Suite (ATS) for NWK testing

This ATS has been produced using the Tree and Tabular Combined Notation (TTCN) according to ISO/IEC 9646-3 [11].

The ATS was developed on a separate TTCN software tool and therefore the TTCN tables are not completely referenced in the table of contents. The ATS itself contains a test suite overview part which provides additional information and references.

---

### A.1 The TTCN Graphical form (TTCN.GR)

The TTCN.GR representation of this ATS is contained in an Adobe Portable Document Format™ file (497p7v11.PDF contained in archive 4lpr0100.ZIP) which accompanies the present document.

---

### A.2 The TTCN Machine Processable form (TTCN.MP)

The TTCN.MP representation corresponding to this ATS is contained in an ASCII file (497p7v11.MP contained in archive 4lpr0100.ZIP) which accompanies the present document.

NOTE: According to ISO/IEC 9646-3 [11], in case of a conflict in interpretation of the operational semantics of TTCN.GR and TTCN.MP, the operational semantics of the TTCN.GR representation takes precedence.

---

## Annex B (normative): Partial PIXIT proforma

Notwithstanding the provisions of the copyright clause related to the text of the present document, ETSI grants that users of the present document may freely reproduce the PIXIT proforma in this annex so that it can be used for its intended purposes and may further publish the completed PIXIT.

The PIXIT Proforma is based on ISO/IEC 9646-6 [14]. Any additional information needed can be found in this international standard document.

---

### B.1 Identification summary

**Table B.1**

PIXIT Number:	
Test Laboratory Name:	
Date of Issue:	
Issued to:	

---

### B.2 ATS summary

**Table B.2**

Protocol Specification:	
Protocol to be tested:	
ATS Specification:	
Abstract Test Method:	Embedded variant of the Remote Test Method with no UT

---

### B.3 Test laboratory

**Table B.3**

Test Laboratory Identification:	
Test Laboratory Manager:	
Means of Testing:	
SAP Address:	

---

### B.4 Client identification

**Table B.4**

Client Identification:	
Client Test manager:	
Test Facilities required:	

---

## B.5 SUT

**Table B.5**

Name:	
Version:	
SCS Number:	
Machine configuration:	
Operating System Identification:	
IUT Identification:	
PICS Reference for IUT:	
Limitations of the SUT:	
Environmental Conditions:	

---

## B.6 Protocol layer information

### B.6.1 Protocol identification

**Table B.6**

Name:	DECT - NetWorK Layer
Version:	
PICS References:	



## B.6.2 IUT information

**Table B.7: General Configuration**

Item	Parameter	Parameter Type	Explanation and EN Reference	Value
1	TSPX_mmproc_a uft_ccstate	CCSTATE_TYPE (INTEGER 1, 2, 3, 4, 5, 6, 7, 10, 19)	Indicates the PT cc state in which, the authentication of Fixed radio Termination (FT) Authentication of FT procedure test cases shall be tested. (see note) in Ref. EN 300 175-5 [3], subclause 13.3.3	
2	TSPX_mmproc_ci pt_ccstate	CCSTATE_TYPE (INTEGER 1, 2, 3, 4, 5, 6, 7, 10, 19)	Indicates the PT cc state in which, the Cipher-switching initiated by PT procedure initiated ciphering test cases shall be tested. (see note) in Ref. EN 300 175-5 [3], subclause 13.8	
3	TSPX_mmproc_a uft_invoke	MMPROC_TYPE (INTEGER 0 .. 10)	Indicates the way of invoking the authentication of FT procedure. Values are:  0 - For IUT that can perform the procedure without any actions needed from the tester(FT) in advance. Link establishment will be handled only if special CC state is selected (see Item 1 above);  1 - For IUT that will start the procedure upon request for termination of the access rights from the tester(FT);  2.10 - currently not specified therefore shall not be used  Reference EN 300 175-5 [3], subclause 13.3.3	
4	TSPX_mmproc_ci pt_invoke	MMPROC_TYPE (INTEGER 0 .. 10)	Indicates the way of invoking the Cipher-switching initiated by PT initiated ciphering procedure. Values are:  0 - For IUT that can perform the procedure without any actions needed from the tester(FT) in advance. Link establishment will be handled only if special CC state is selected (see Item 2 above);  1..10 - currently not specified therefore shall not be used  Reference EN 300 175-5 [3], subclause 13.8	
5	TSPX_nr_of _digits_in_cpn	INT_8 (INTEGER 0..255)	In order to facilitate testing, a number of digits less than 10 is advised. This parameter really indicates the number of CC_INFO messages to be expected during call setup.	
6	TSPX_onhook_au t	BOOLEAN	TRUE if the IUT automatically goes on-hook when the call is cleared.	
7	TSPX_ice_02	INTEGER	Value of Timer T_P_LCE_02 in milliseconds	
8	TSPX_dummy_be arer_duration	INTEGER	Value of wait timer used to delay the test case after setting up a second dummy bearer in case of intercell handover testing.	
9	TSPX_decay_rate	INTEGER	Ramp gradient for power down the RFP power. Used for the TSO equivalent to the MAC TSC_action7. Shall be between 0 and 10 dB/s	

NOTE: In all cases where a parameter of type CC\_STATE is used, the mapping between the state as defined in EN 300 175-5 [3], subclause B.1 and the numerical value is as follows:

Value	CC state
0	T-00
1	T-01
2	T-02
3	T-03
4	T-04
6	T-06
7	T-07
10	T-10
19	T-19

Table B.8: Addresses

Item	Address name	Parameter Type	Explanation and EN Reference	Value
1	TSPX_decimal_ac_value	OCT_4 (OCTETSTRING[4])	Value of Authentication Code (AC) to be used. The AC will be entered as maximal 8 decimal digits. The AC to bitstring mapping will be done with operation TSO_cinpt_convert_ac_to_bitstring. Reference: EN 300 444 [8], subclause 14.2	
2	TSPX_complete_fixed_id_ari_rpn_value	FIXED_ID_VALUE_TYPE (BITSTRING[8..72])	Value of fixed_id to be used in case of ARI + RPN (Radio Fixed Part Number) Reference: EN 300 175-5 [3], subclause 7.7.18 40 bits starting with 0	
3	TSPX_ipei_value	PORT_ID_VALUE_TYPE (BITSTRING[8..104])	Value of International Portable Equipment Identity (IPEI) (IPUI-N) to be expected from the IUT (before subscription). Fill up to 40 bits with leading 0s. Reference: EN 300 175-5 [3], subclause 7.7.30	
4	TSPX_ipui_value	PORT_ID_VALUE_TYPE (BITSTRING[8..104])	Value of portable_id to be used in case of a International Portable User Identity (IPUI) (after subscription) Reference: EN 300 175-5 [3], subclause 7.7.30	
5	TSPX_ipui_value_2	PORT_ID_VALUE_TYPE (BITSTRING[8..104])	Value of portable_id to be used in case of a second IPUI (after subscription) Reference: EN 300 175-5 [3], subclause 7.7.30	
6	TSPX_location_area_level	BIT_6 (BITSTRING[6])	The location area level that is going to be used Reference: EN 300 175-5 [3], subclause 7.7.25	
7	TSPX_complete_fixed_id_park_value	FIXED_ID_VALUE_TYPE (BITSTRING[8..72])	Value of fixed_id to be used in case of Portable Access Rights Key (PARK). PARK A 36 bits, PARK B, C, D - 31 bits Reference: EN 300 175-5 [3], subclause 7.7.18	
8	TSPX_complete_fixed_id_park_value_2	FIXED_ID_VALUE_TYPE (BITSTRING[8..72])	Value of fixed_id to be used in case of a second PARK. PARK A 36 bits, PARK B, C, D - 31 bits. Reference: EN 300 175-5 [3], subclause 7.7.18	
9	TSPX_tpui_value	PORT_ID_VALUE_TYPE (BITSTRING[8..104])	Value of tpui to be used, when assigning a tpui to the IUT Procedure EN 300 175-5 [3], subclause 7.7.30	
10	TSPX_decimal_upi_value	OCT_4 (OCTETSTRING[4])	Value of UPI to be used. The UPI will be entered as maximal 8 decimal digits. The UPI to bitstring mapping will be done with operation TSO_cinpt_convert_upi_to_bitstring. Reference: EN 300 444 [8], subclause 8.22	
11	TSPX_park_length_indicator	INTEGER	Number of significant bits in TSPX_park_value (PLI)	
12	TSPX_park_length_indicator_2	INTEGER	Number of significant bits in TSPX_park_value_2(PLI)	
13	TSPX_complete_fixed_id_ari_rpn_value_2	FIXED_ID_VALUE_TYPE (BITSTRING[8..72])	Value of ARI + RPN fixed_id to be used for second subscription by IUT	
14	TSPX_complete_fixed_id_ari_rpn_nosub	FIXED_ID_VALUE_TYPE (BITSTRING[8..72])	Value of ARI + RPN fixed_id for which the IUT has no subscription. This is to be used as the RFPI of the LT during SARI and TARI tests. The value must be such that none of the following PARK subscription combinations allow the IUT to lock: TPSX_complete_fixed_id_park_value + TSPX_park_length_indicator and TPSX_complete_fixed_id_park_value_2 + TSPX_park_length_indicator_2	

Item	Address name	Parameter Type	Explanation and EN Reference	Value
15	TSPX_complete_fixed_id_sari_nosub	FIXED_ID_VALUE_TYPE (BITSTRING[8..72])	Value of ARI + RPN fixed_id for which the IUT has no subscription. This is to be used as the SARI of the LT during TARI tests. It must differ from the ARI part of TSPX_complete_fixed_id_ari_rpn_nosub. The value must be such that none of the following PARK subscription combinations allow the IUT to lock: TPSX_complete_fixed_id_park_value + TSPX_park_length_indicator and TPSX_complete_fixed_id_park_value_2 + TSPX_park_length_indicator_2	
16	TSPX_emergency_number_length	INTEGER	Length of emergency number generated by the PP or typed by the operator.	
17	TSPX_location_area_level_2	BIT_6 (BITSTRING[6])	The second location area level that is going to be used with the second FP (FP-2) during the change of subscription test.	
18	TSPX_tpui2_value	PORT_ID_VALUE_TYPE (BITSTRING[8..104])	Value of TPUI to be used when assigning a second TPUI to the IUT	
19	TSPX_pt_init_cipher_fp2	BOOLEAN	True if IUT uses PT initiated cipher switching after external handover setup, even if FT initiated cipher switching was used on first call	

Table B.9: Implicit send events

Item	PIXIT (see note)	Related implicit send message (PDU)	Indication how the implicit send event can be invoked
1	TSPX_change_location_area	To change the location area broadcasted by the LT. The location area is considered to be different to the one specified in STP_init_broadcast_bits. The implicit send will contain a DI_est_ind_no_pdu, because the IUT should begin link establishment, in order to perform location registration.	
2	TSPX_invoke_call_answering	To invoke the IUT to answer the incoming call. The IUT will go off hook when call present. Expected constraint: Cc_connect_rx_base	
3	TSPX_invoke_dialled_digit	To invoke the IUT to dial a digit.	
4	TSPX_invoke_dialling_pause	To invoke the IUT to make a dialling pause, the Cc_info constraint contains multi-keypad i.e. with the value "dialling pause" Expected constraint: Cc_info_rx03	
5	TSPX_invoke_dtmf_defined	To invoke the IUT to go to DTMF dialling with defined tone length, the Cc_info constraint contains a multi-keypad i.e. with the value "dtmf defined" Expected constraint: Cc_info_rx04	
6	TSPX_invoke_dtmf_infinite	To invoke the IUT to go to DTMF dialling with infinite tone length, the Cc_info constraint contains a multi-keypad i.e. with the value "dtmf infinite" Expected constraint: Cc_info_rx05	
7	TSPX_invoke_internal_call	To invoke the IUT to go off hook for an internal call setup, while in state T-00, a DL_EST_IND without a PDU is expected to be send by the IUT.	
8	TSPX_invoke_normal_release	To invoke the IUT to go on hook, thus initiating a normal release, while in any cc state. A dl_data_indication is to be expected, containing a CC_RELEASE message. Expected Constraint: Cc_release_rx_base	
9	TSPX_invoke_obtain_accessrights	To invoke the obtain access rights procedure, initiated by the IUT. A DI_est_ind_no_pdu is to be expected, because the IUT will start link establishment, in order to executed the obtain access rights procedure. The AC has to be entered in order to start the obtain access rights procedure. Expected Constraint: DI_est_ind_no_pdu	

Item	PIXIT (see note)	Related implicit send message (PDU)	Indication how the implicit send event can be invoked
10	TSPX_invoke_outgoing_call	To invoke the IUT to go off hook for a normal outgoing call setup, while in state T-00, a DL_EST_IND without a PDU is expected to be send by the IUT.	
11	TSPX_invoke_partial_release	To invoke the IUT to initiate a partial release. (when a link to the IUT is active), a CC_RELEASE message is expected, but no requirements on the release reason are made as the release reasons is optional in EN 300 444. Expected constraint: Cc_release_rx_base	
12	TSPX_invoke_pulse_dialling	To invoke the IUT to go to pulse, the Cc_info constraint contains multi-keypad i.e. with the value "goto pulse" Expected constraint: Cc_info_rx02	
13	TSPX_invoke_pt_init_ciphering	To invoke the PT to initiate ciphering on. A dl_data_ind is expected, containing a CIPHER-SUGGEST PDU. Expected constraint: Cipher_suggest_rx01	
14	TSPX_invoke_pt_off_ciphering	To invoke the PT to initiate ciphering off. A dl_data_ind is expected, containing a CIPHER-SUGGEST PDU. Expected Constraint: Cipher_suggest_rx02	
15	TSPX_invoke_register_recall	To invoke the IUT to initiate register recall, the Cc_info constraint contains multi-keypad i.e. with the value "register recall" Expected constraint: Cc_info_rx08	
16	TSPX_invoke_upi_entering	To enter the user personal identity at the PT. The user types in its upi, and after this a dl_data_ind is to be expected, containing an AUTH_REPLY message. The value of the UPI has to be specified in the PIXIT parameter TSPX_decimal_upi_value. Expected constraint: Auth_reply_rx_base	
17	TSPX_invoke_ft_authentication	To invoke the PT initiated FT authentication Expected constraint: Auth_req_rx_base	
NOTE: The PIXIT names are related to the test steps where the Implicit send events are handled, e.g. the PIXIT TSPX_invoke_abnormal_release is related to the test step STP_invoke_abnormal_release.			

## Annex C (normative): Protocol Conformance Test Report (PCTR) proforma for DECT NWK

Notwithstanding the provisions of the copyright clause related to the text of the present document, ETSI grants that users of the present document may freely reproduce the PCTR proforma in this annex so that it can be used for its intended purposes and may further publish the completed PCTR.

The PCTR proforma is based on ISO/IEC 9646-6 [14]. Any additional information needed can be found in the present document.

### C.1 Identification summary

#### C.1.1 Protocol conformance test report

**Table C.1**

PCTR Number:	
PCTR Date:	
Corresponding SCTR Number:	
Corresponding SCTR Date:	
Test Laboratory Identification:	
Test Laboratory Manager:	
Signature:	

#### C.1.2 IUT identification

**Table C.2**

Name:	
Version:	
Protocol specification:	
PICS:	
Previous PCTR if any:	

#### C.1.3 Testing environment

**Table C.3**

PIXIT Number:	
ATS Specification:	
Abstract Test Method:	Remote test method, Embedded variant with no UT
Means of Testing identification:	
Date of testing:	
Conformance Log reference(s):	
Retention Date for Log reference(s):	

## C.1.4 Limits and reservation

Additional information relevant to the technical contents or further use of the test report, or the rights and obligations of the test laboratory and the client, may be given here. Such information may include restriction on the publication of the report.

.....

.....

.....

.....

.....

## C.1.5 Comments

Additional comments may be given by either the client or the test laboratory on any of the contents of the PCTR, for example, to note disagreement between the two parties.

.....

.....

.....

.....

.....

---

## C.2 IUT conformance status

This IUT has or has not been shown by conformance assessment to be non conforming to the specified protocol specification.

Strike the appropriate words in this sentence. If the PICS for this IUT is consistent with the static conformance requirements (as specified in clause 3 in this report) and there are no "FAIL" verdicts to be recorded (in clause 6) strike the words "has or". otherwise strike the words "or has not".

---

## C.3 Static conformance summary

The PICS for this IUT is or is not consistent with the static conformance requirements in the specified protocol.

Strike the appropriate words in this sentence.

---

## C.4 Dynamic conformance summary

The test campaign did or did not reveal errors in the IUT.

Strike the appropriate words in this sentence. If there are no "FAIL" verdicts to be recorded (in clause 6 of this report) strike the words "did or". otherwise strike the words "or did not".

Summary of the results of groups of test:

.....  
.....  
.....  
.....  
.....  
.....  
.....  
.....

---

## C.5 Static conformance review report

If clause 3 indicates non-conformance, this subclause itemizes the mismatches between the PICS and the static conformance requirements of the specified protocol specification.

.....  
.....  
.....  
.....  
.....  
.....  
.....  
.....  
.....  
.....  
.....  
.....



## C.6 Test campaign report

Table C.4

ATS Reference	Selected?	Run?	Verdict	Observations (Reference to any observations made in clause 7)
TC_PT_CC_BV_OC_01	Yes/No	Yes/No		
TC_PT_CC_BV_OC_02	Yes/No	Yes/No		
TC_PT_CC_BV_OC_03	Yes/No	Yes/No		
TC_PT_CC_BV_OC_04	Yes/No	Yes/No		
TC_PT_CC_BV_OC_06	Yes/No	Yes/No		
TC_PT_CC_BV_OC_07	Yes/No	Yes/No		
TC_PT_CC_BV_OC_50	Yes/No	Yes/No		
TC_PT_CC_BV_IC_01	Yes/No	Yes/No		
TC_PT_CC_BV_IC_02	Yes/No	Yes/No		
TC_PT_CC_BV_IC_03	Yes/No	Yes/No		
TC_PT_CC_BV_IC_04	Yes/No	Yes/No		
TC_PT_CC_BV_CI_01	Yes/No	Yes/No		
TC_PT_CC_BV_CI_02	Yes/No	Yes/No		
TC_PT_CC_BV_CI_03	Yes/No	Yes/No		
TC_PT_CC_BV_CI_04	Yes/No	Yes/No		
TC_PT_CC_BV_CI_05	Yes/No	Yes/No		
TC_PT_CC_BV_CI_06	Yes/No	Yes/No		
TC_PT_CC_BV_CI_07	Yes/No	Yes/No		
TC_PT_CC_BV_CI_08	Yes/No	Yes/No		
TC_PT_CC_BV_CI_09	Yes/No	Yes/No		
TC_PT_CC_BV_CI_10	Yes/No	Yes/No		
TC_PT_CC_BV_CI_11	Yes/No	Yes/No		
TC_PT_CC_BV_CI_12	Yes/No	Yes/No		
TC_PT_CC_BV_CI_13	Yes/No	Yes/No		
TC_PT_CC_BV_CI_14	Yes/No	Yes/No		
TC_PT_CC_BV_CR_01	Yes/No	Yes/No		
TC_PT_CC_BV_CR_02	Yes/No	Yes/No		
TC_PT_CC_BV_CR_03	Yes/No	Yes/No		
TC_PT_CC_BV_CR_04	Yes/No	Yes/No		
TC_PT_CC_BV_CR_05	Yes/No	Yes/No		
TC_PT_CC_BV_CR_06	Yes/No	Yes/No		
TC_PT_CC_BV_CR_07	Yes/No	Yes/No		
TC_PT_CC_BV_CR_08	Yes/No	Yes/No		
TC_PT_CC_BV_CR_09	Yes/No	Yes/No		
TC_PT_CC_BV_CR_10	Yes/No	Yes/No		
TC_PT_CC_BV_CR_11	Yes/No	Yes/No		
TC_PT_CC_BV_RS_01	Yes/No	Yes/No		
TC_PT_CC_BV_HP_50	Yes/No	Yes/No		
TC_PT_CC_BV_HP_51	Yes/No	Yes/No		
TC_PT_CC_BV_HP_52	Yes/No	Yes/No		
TC_PT_CC_BV_HP_53	Yes/No	Yes/No		
TC_PT_CC_BV_HP_54	Yes/No	Yes/No		
TC_PT_CC_BV_HP_55	Yes/No	Yes/No		
TC_PT_CC_BV_HP_56	Yes/No	Yes/No		
TC_PT_CC_BV_HP_57	Yes/No	Yes/No		
TC_PT_CC_BV_HP_58	Yes/No	Yes/No		
TC_PT_CC_BV_HP_59	Yes/No	Yes/No		
TC_PT_CC_BV_HP_60	Yes/No	Yes/No		
TC_PT_CC_BV_HP_61	Yes/No	Yes/No		
TC_PT_CC_BV_HP_62	Yes/No	Yes/No		
TC_PT_CC_BV_HP_63	Yes/No	Yes/No		
TC_PT_CC_BV_HP_64	Yes/No	Yes/No		
TC_PT_CC_BV_HP_65	Yes/No	Yes/No		
TC_PT_CC_BV_HP_66	Yes/No	Yes/No		
TC_PT_CC_BV_HP_67	Yes/No	Yes/No		
TC_PT_CC_BV_HP_69	Yes/No	Yes/No		

ATS Reference	Selected?	Run?	Verdict	Observations (Reference to any observations made in clause 7)
TC_PT_CC_BV_HP_70	Yes/No	Yes/No		
TC_PT_CC_BV_HP_71	Yes/No	Yes/No		
TC_PT_CC_BV_HP_72	Yes/No	Yes/No		
TC_PT_CC_BV_HP_73	Yes/No	Yes/No		
TC_PT_CC_BV_HP_74	Yes/No	Yes/No		
TC_PT_CC_BO_01	Yes/No	Yes/No		
TC_PT_CC_BO_02	Yes/No	Yes/No		
TC_PT_CC_BI_01	Yes/No	Yes/No		
TC_PT_CC_BI_02	Yes/No	Yes/No		
TC_PT_CC_BI_03	Yes/No	Yes/No		
TC_PT_CC_TI_01	Yes/No	Yes/No		
TC_PT_CC_TI_02	Yes/No	Yes/No		
TC_PT_CC_TI_03	Yes/No	Yes/No		
TC_PT_CC_TI_04	Yes/No	Yes/No		
TC_PT_MM_BV_ID_01	Yes/No	Yes/No		
TC_PT_MM_BV_ID_02	Yes/No	Yes/No		
TC_PT_MM_BV_ID_03	Yes/No	Yes/No		
TC_PT_MM_BV_ID_04	Yes/No	Yes/No		
TC_PT_MM_BV_ID_08	Yes/No	Yes/No		
TC_PT_MM_BV_AU_01	Yes/No	Yes/No		
TC_PT_MM_BV_AU_02	Yes/No	Yes/No		
TC_PT_MM_BV_AU_03	Yes/No	Yes/No		
TC_PT_MM_BV_AU_04	Yes/No	Yes/No		
TC_PT_MM_BV_AU_05	Yes/No	Yes/No		
TC_PT_MM_BV_AU_06	Yes/No	Yes/No		
TC_PT_MM_BV_AU_07	Yes/No	Yes/No		
TC_PT_MM_BV_AU_08	Yes/No	Yes/No		
TC_PT_MM_BV_AU_09	Yes/No	Yes/No		
TC_PT_MM_BV_LO_01	Yes/No	Yes/No		
TC_PT_MM_BV_LO_02	Yes/No	Yes/No		
TC_PT_MM_BV_LO_03	Yes/No	Yes/No		
TC_PT_MM_BV_LO_04	Yes/No	Yes/No		
TC_PT_MM_BV_LO_05	Yes/No	Yes/No		
TC_PT_MM_BV_LO_06	Yes/No	Yes/No		
TC_PT_MM_BV_LO_07	Yes/No	Yes/No		
TC_PT_MM_BV_LO_08	Yes/No	Yes/No		
TC_PT_MM_BV_LO_09	Yes/No	Yes/No		
TC_PT_MM_BV_LO_10	Yes/No	Yes/No		
TC_PT_MM_BV_LO_50	Yes/No	Yes/No		
TC_PT_MM_BV_LO_51	Yes/No	Yes/No		
TC_PT_MM_BV_LO_52	Yes/No	Yes/No		
TC_PT_MM_BV_LO_53	Yes/No	Yes/No		
TC_PT_MM_BV_LO_54	Yes/No	Yes/No		
TC_PT_MM_BV_LO_55	Yes/No	Yes/No		
TC_PT_MM_BV_LO_56	Yes/No	Yes/No		
TC_PT_MM_BV_LO_57	Yes/No	Yes/No		
TC_PT_MM_BV_LO_58	Yes/No	Yes/No		
TC_PT_MM_BV_LO_59	Yes/No	Yes/No		
TC_PT_MM_BV_LO_60	Yes/No	Yes/No		
TC_PT_MM_BV_LO_61	Yes/No	Yes/No		
TC_PT_MM_BV_AR_01	Yes/No	Yes/No		
TC_PT_MM_BV_AR_03	Yes/No	Yes/No		
TC_PT_MM_BV_AR_05	Yes/No	Yes/No		
TC_PT_MM_BV_AR_06	Yes/No	Yes/No		
TC_PT_MM_BV_AR_09	Yes/No	Yes/No		
TC_PT_MM_BV_AR_10	Yes/No	Yes/No		
TC_PT_MM_BV_AR_50	Yes/No	Yes/No		
TC_PT_MM_BV_AR_51	Yes/No	Yes/No		
TC_PT_MM_BV_AR_52	Yes/No	Yes/No		
TC_PT_MM_BV_AR_53	Yes/No	Yes/No		

ATS Reference	Selected?	Run?	Verdict	Observations (Reference to any observations made in clause 7)
TC_PT_MM_BV_KA_01	Yes/No	Yes/No		
TC_PT_MM_BV_KA_02	Yes/No	Yes/No		
TC_PT_MM_BV_KA_03	Yes/No	Yes/No		
TC_PT_MM_BV_CH_01	Yes/No	Yes/No		
TC_PT_MM_BV_CH_02	Yes/No	Yes/No		
TC_PT_MM_BV_CH_03	Yes/No	Yes/No		
TC_PT_MM_BV_CH_04	Yes/No	Yes/No		
TC_PT_MM_BV_CH_05	Yes/No	Yes/No		
TC_PT_MM_BV_CH_08	Yes/No	Yes/No		
TC_PT_MM_BV_CH_09	Yes/No	Yes/No		
TC_PT_MM_BV_CH_10	Yes/No	Yes/No		
TC_PT_MM_BV_CH_11	Yes/No	Yes/No		
TC_PT_MM_BV_CH_12	Yes/No	Yes/No		
TC_PT_MM_BV_CH_13	Yes/No	Yes/No		
TC_PT_MM_BV_CH_14	Yes/No	Yes/No		
TC_PT_MM_BV_CH_15	Yes/No	Yes/No		
TC_PT_MM_BO_01	Yes/No	Yes/No		
TC_PT_MM_BI_01	Yes/No	Yes/No		
TC_PT_MM_BI_02	Yes/No	Yes/No		
TC_PT_MM_BI_03	Yes/No	Yes/No		
TC_PT_MM_BI_04	Yes/No	Yes/No		
TC_PT_MM_TI_01	Yes/No	Yes/No		
TC_PT_MM_TI_03	Yes/No	Yes/No		
TC_PT_MM_TI_04	Yes/No	Yes/No		
TC_PT_MM_TI_05	Yes/No	Yes/No		
TC_PT_ME_BV_01	Yes/No	Yes/No		
TC_PT_ME_BV_02	Yes/No	Yes/No		
TC_PT_ME_BV_03	Yes/No	Yes/No		
TC_PT_ME_BV_04	Yes/No	Yes/No		
TC_PT_ME_BV_05	Yes/No	Yes/No		
TC_PT_ME_BV_06	Yes/No	Yes/No		
TC_PT_ME_BV_07	Yes/No	Yes/No		
TC_PT_ME_BV_09	Yes/No	Yes/No		
TC_PT_ME_BV_10	Yes/No	Yes/No		
TC_PT_ME_BV_11	Yes/No	Yes/No		
TC_PT_ME_BV_12	Yes/No	Yes/No		
TC_PT_ME_BV_13	Yes/No	Yes/No		
TC_PT_ME_BO_01	Yes/No	Yes/No		
TC_PT_LC_BV_LE_01	Yes/No	Yes/No		
TC_PT_LC_BV_LE_02	Yes/No	Yes/No		
TC_PT_LC_BV_LR_01	Yes/No	Yes/No		
TC_PT_LC_BV_LR_02	Yes/No	Yes/No		
TC_PT_LC_BV_LR_03	Yes/No	Yes/No		
TC_PT_LC_BI_01	Yes/No	Yes/No		
TC_PT_LC_BI_03	Yes/No	Yes/No		
TC_PT_LC_TI_02	Yes/No	Yes/No		
TC_PT_IS_BV_50	Yes/No	Yes/No		
TC_PT_IS_BV_51	Yes/No	Yes/No		
TC_PT_IS_BV_52	Yes/No	Yes/No		
TC_PT_IS_BV_53	Yes/No	Yes/No		
TC_PT_IS_BV_54	Yes/No	Yes/No		
TC_PT_IS_BV_55	Yes/No	Yes/No		
TC_PT_IS_BV_56	Yes/No	Yes/No		

---

## C.7 Observations

Additional information relevant to the technical content of the PCTR are given here.

.....

.....

.....

.....

.....

.....

.....

.....

.....

.....

---

## Bibliography

The following material, though not specifically referenced in the body of the present document, gives supporting information.

- EN 300 175-2: "Digital Enhanced Cordless Telecommunications (DECT); Common Interface (CI); Part 2: Physical Layer (PHL)".
- EN 300 175-3: "Digital Enhanced Cordless Telecommunications (DECT); Common Interface (CI); Part 3: Medium Access Control (MAC) layer".
- EN 300 175-8: "Digital Enhanced Cordless Telecommunications (DECT); Common Interface (CI); Part 8: Speech coding and transmission".
- Directive 98/13/EC of the European Parliament and of the Council of 12 February 1998 relating to telecommunications terminal equipment and satellite earth station equipment, including the mutual recognition of their conformity.
- TBR 6: "Digital Enhanced Cordless Telecommunications (DECT); General terminal attachment requirements".
- TBR 10: "Digital Enhanced Cordless Telecommunications (DECT); General terminal attachment requirements; Telephony applications".
- TBR 22: "Attachment requirements for terminal equipment for Digital Enhanced Cordless Telecommunications (DECT) Generic Access Profile (GAP) applications".
- EN 300 824: "Digital Enhanced Cordless Telecommunications (DECT), Cordless Terminal Mobility (CTM), CTM Access Profile (CAP)".
- EWOS/ETSI Project Team No 5: "Project Report and Technical Report. OSI Conformance Testing Methodology and Procedures in Europe".
- ETR 022: "Advanced Testing Methods (ATM); Vocabulary of terms used in communications protocols conformance testing".
- CEPT Recommendation T/SGT SF2 (89) 6/0: "Draft Recommendation T/SF Services and Facilities of Digital Enhanced Cordless Telecommunications".
- ETR 015: "Digital Enhanced Cordless Telecommunications (DECT); Reference document".
- ETR 041: "Transmission and Multiplexing (TM); Digital Enhanced Cordless Telecommunications (DECT); Transmission aspects 3,1 kHz telephony Interworking with other networks".
- ETR 042: "Digital Enhanced Cordless Telecommunications (DECT); A Guide to DECT features that influence the traffic capacity and the maintenance of high radio link transmission quality, including the results of simulations".
- ETR 043: "Digital Enhanced Cordless Telecommunications (DECT); Common interface; Services and Facilities requirements specification".
- ETR 056: "Digital Enhanced Cordless Telecommunications (DECT); System description document".

---

## History

<b>Document history</b>		
Edition 1	August 1996	Publication as ETS 300 497-7
Edition 2	February 1998	Publication as ETS 300 497-7
V0.3.0	August 1998	Public Enquiry PE 9852: 1998-08-28 to 1998-12-25