

Final draft **ETSI EN 300 450** V1.2.1 (2001-02)

European Standard (Telecommunications series)

**Access and Terminals (AT);
Ordinary and Special quality voice bandwidth
2-wire analogue leased lines (A2O and A2S);
Terminal equipment interface**



Reference

REN/AT-010003

Keywords

ONP, leased line

ETSI

650 Route des Lucioles
F-06921 Sophia Antipolis Cedex - FRANCE

Tel.: +33 4 92 94 42 00 Fax: +33 4 93 65 47 16

Siret N° 348 623 562 00017 - NAF 742 C
Association à but non lucratif enregistrée à la
Sous-Préfecture de Grasse (06) N° 7803/88

Important notice

Individual copies of the present document can be downloaded from:

<http://www.etsi.org>

The present document may be made available in more than one electronic version or in print. In any case of existing or perceived difference in contents between such versions, the reference version is the Portable Document Format (PDF). In case of dispute, the reference shall be the printing on ETSI printers of the PDF version kept on a specific network drive within ETSI Secretariat.

Users of the present document should be aware that the document may be subject to revision or change of status. Information on the current status of this and other ETSI documents is available at <http://www.etsi.org/tb/status/>

If you find errors in the present document, send your comment to:
editor@etsi.fr

Copyright Notification

No part may be reproduced except as authorized by written permission.
The copyright and the foregoing restriction extend to reproduction in all media.

© European Telecommunications Standards Institute 2001.
All rights reserved.

Contents

Intellectual Property Rights	4
Foreword	4
Introduction	5
1 Scope	6
2 References	6
3 Definitions and abbreviations	6
3.1 Definitions	6
3.2 Abbreviations	7
4 Requirements	7
4.1 Physical characteristics	7
4.2 Electrical characteristics	8
4.2.1 Return loss	8
4.2.2 Longitudinal conversion loss	8
4.2.3 Transmission signals	9
4.2.3.1 Equipment with an acoustic input	9
4.2.3.1.1 Sending Loudness Rating (SLR)	9
4.2.3.2 Equipment with internally generated electrical signals	10
4.2.3.2.1 Maximum mean power	10
4.2.3.2.2 Maximum instantaneous power (peak voltage)	10
4.2.3.2.3 Maximum power in a 10 Hz bandwidth	10
4.2.3.3 Equipment with an electrical input	11
4.2.4 Maximum sending power above 4,3 kHz	11
4.2.5 Power feeding	12
4.3 Safety	12
4.4 Overvoltage	12
4.5 ElectroMagnetic Compatibility (EMC)	13
Annex A (normative): Test methods	14
A.1 General	14
A.1.1 Equipment connection	14
A.1.2 Reference impedance	14
A.1.3 Non-reactive termination	15
A.2 Test methods	15
A.2.1 Return loss	15
A.2.2 Longitudinal conversion loss	16
A.2.3 Sending Loudness Rating	17
A.2.4 Maximum mean power	18
A.2.5 Maximum instantaneous power (peak voltage)	19
A.2.6 Maximum power in a 10 Hz bandwidth	19
A.2.7 Maximum sending power above 4,3 kHz	20
A.2.8 Power feeding	21
Annex B (informative): Bibliography	22
History	23

Intellectual Property Rights

IPRs essential or potentially essential to the present document may have been declared to ETSI. The information pertaining to these essential IPRs, if any, is publicly available for **ETSI members and non-members**, and can be found in ETSI SR 000 314: "*Intellectual Property Rights (IPRs); Essential, or potentially Essential, IPRs notified to ETSI in respect of ETSI standards*", which is available from the ETSI Secretariat. Latest updates are available on the ETSI Web server (<http://www.etsi.org/ipr>).

Pursuant to the ETSI IPR Policy, no investigation, including IPR searches, has been carried out by ETSI. No guarantee can be given as to the existence of other IPRs not referenced in ETSI SR 000 314 (or the updates on the ETSI Web server) which are, or may be, or may become, essential to the present document.

Foreword

This European Standard (Telecommunications series) has been produced by ETSI Technical Committee Access and Terminals (AT), and is now submitted for the ETSI standards One-step Approval Procedure.

The present document resulted from a mandate from the Commission of the European Community (CEC) to provide standards for the support of the Directive on Open Network Provision (ONP) of leased lines (92/44/EEC).

There are two other standards directly related to the present document:

EN 300 448: "Access and Terminals (AT); Ordinary quality voice bandwidth 2-wire analogue leased line (A2O); Connection characteristics and network interface presentation".

EN 300 449: "Access and Terminals (AT); Special quality voice bandwidth 2-wire analogue leased line (A2S); Connection characteristics and network interface presentation".

The present document is based on information from ITU-T Recommendations and ETSI publications and the relevant documents are quoted where appropriate.

Proposed national transposition dates	
Date of latest announcement of this EN (doa):	3 months after ETSI publication
Date of latest publication of new National Standard or endorsement of this EN (dop/e):	6 months after doa
Date of withdrawal of any conflicting National Standard (dow):	6 months after doa

Introduction

The Council Directive on the application of ONP to leased lines (92/44/EEC) concerns the harmonization of conditions for open and efficient access to, and use of, the leased lines provided over public telecommunications networks, and the availability throughout the European Union (EU) of a minimum set of leased lines with harmonized technical characteristics.

The consequence of the Directive is that telecommunications organizations within the EU shall make available a set of leased lines within and between points in these countries with specified connection characteristics and specified interfaces.

Two categories (voluntary and regulatory) of standard were used for the interfaces of terminal equipment designed for connection to the ONP leased lines. Technical Basis for Regulations (TBRs) gave the earlier essential requirements under the Directive 91/263/EEC, later replaced by 98/13/EC, for attachment to the leased lines, whereas other voluntary standards (ETSS or ENs) gave the full technical specifications for these interfaces. The present document, which is based on an earlier ETS, belongs to the second category.

The requirements of TBR 15 are a subset of the present document. The present document has been produced to introduce some necessary changes.

ITU-T Recommendations M.1020 and M.1040 were used as the basis for the leased line standards to which this terminal equipment interface relates.

1 Scope

The present document specifies the physical and electrical characteristics (except safety, overvoltage and EMC aspects) and corresponding test principles for a terminal equipment interface for connection to the network termination points of Open Network Provision (ONP) ordinary quality or special quality voice bandwidth 2-wire analogue leased lines defined by EN 300 448 [4] and EN 300 449 [5].

The present document is written only to ensure that the interface of the terminal equipment is compatible with the ONP ordinary quality or special quality voice bandwidth 2-wire analogue leased line. It is applicable to all interfaces designed for connection to these leased lines, however in the cases of apparatus that carries a particular service, of complex apparatus and of apparatus in private networks, other requirements may apply in addition to the present document.

Customer premises wiring and installation between the terminal equipment and the NTP are outside the scope of the present document.

2 References

The following documents contain provisions which, through reference in this text, constitute provisions of the present document.

- References are either specific (identified by date of publication and/or edition number or version number) or non-specific.
- For a specific reference, subsequent revisions do not apply.
- For a non-specific reference, the latest version applies.

- [1] EN 28877 (1989): "Information processing systems - Interface connector and contact assignments for ISDN basic access interface located at reference points S and T".
- [2] ITU-T Recommendation P.56 (1993): "Objective measurement of active speech level".
- [3] ITU-T Recommendation P.64 (1999): "Determination of sensitivity/ frequency characteristics of local telephone systems".
- [4] ETSI EN 300 448: "Access and Terminals (AT); Ordinary quality voice bandwidth 2-wire analogue leased line (A2O); Connection characteristics and network interface presentation".
- [5] ETSI EN 300 449: "Access and Terminals (AT); Special quality voice bandwidth 2-wire analogue leased line (A2S); Connection characteristics and network interface presentation".

3 Definitions and abbreviations

3.1 Definitions

For the purposes of the present document, the following terms and definitions apply:

leased lines: telecommunications facilities provided by a public telecommunication network that provide defined transmission characteristics between network termination points and that do not include switching functions that the user can control, (e.g. on-demand switching)

Network Termination Point (NTP): all physical connections and their technical access specifications which form part of the public telecommunications network and are necessary for access to and efficient communication through that public network

reference impedance Z_R : complex impedance made up of a resistance of 270 Ω in series with a parallel combination of 750 Ω and 150 nF. See also clause A.1.2

terminal equipment: equipment intended to be connected to the public telecommunication network; i.e.:

- to be connected directly to the termination of a public telecommunication network; or
- to interwork with a public telecommunication network being connected directly or indirectly to the termination of a public telecommunication network,

in order to send, process, or receive information.

voice bandwidth: band of frequencies over the range 300 Hz to 3 400 Hz

3.2 Abbreviations

For the purposes of the present document, the following abbreviations apply:

<i>a</i>	Return loss in dB
dc	direct current
DTMF	Dual Tone Multi-Frequency
EMC	ElectroMagnetic Compatibility
NTP	Network Termination Point
ONP	Open Network Provision
p_m	Sound pressure at the mouth reference point (used in the calculation of SLR)
rms	root mean square
SLR	Sending Loudness Rating
S_{mj}	Sending sensitivity (used in the calculation of SLR)
S_{mjn}	Sending sensitivity at frequency f_n (used in the calculation of SLR)
W_{sn}	Sending weighting factor (used in the calculation of SLR)
Z_R	Reference impedance
Z_T	Termination impedance

4 Requirements

4.1 Physical characteristics

Requirement: The terminal equipment shall provide one or more of the following connection methods:

- a) an 8-contact plug of the type specified in EN 28877 [1] with contact assignments as specified in table 1;
- b) a set of connection contacts (e.g. an insulation displacement connector or screw terminal block) to which solid conductors with diameters in the range 0,4 to 0,6 mm may be connected;
- c) a wiring arrangement connected by any means to the terminal equipment, with unterminated solid wire conductors with diameters in the range 0,4 to 0,6 mm at the distant end from the terminal equipment.

Where a) and c) are provided, these may be detachable by the user such that only one is connected to the terminal equipment at any one time.

NOTE: The normal presentation of the leased line is by means of a socket.

Table 1: Contact assignments

Contact number	terminal equipment
1	Unused
2	Unused
3	Unused
4 & 5	Pair
6	Unused
7	Unused
8	Unused

Test: There shall be a visual inspection that one or more of the connection methods are provided. The contact assignments and connection methods are tested indirectly through the tests in annex A.

4.2 Electrical characteristics

The requirements of clause 4.2 apply only in the intended operating state of the terminal equipment.

4.2.1 Return loss

Requirement: The return loss of the impedance presented by the terminal equipment interface with respect to the reference impedance, in the frequency range 200 Hz to 4 000 Hz, shall be greater than or equal to 8 dB throughout the range when tested using a stimulus signal at a voltage equivalent to that of a signal power of -9 dBm at 1 020 Hz.

Test: The test shall be conducted according to clause A.2.1.

4.2.2 Longitudinal conversion loss

Requirement: The longitudinal conversion loss of the terminal equipment interface shall be greater than or equal to the values given in table 2 and figure 1.

NOTE: The longitudinal conversion loss specifies the unwanted transverse signal detected by the terminal equipment when a longitudinal signal is applied equally to the terminals of the interface. Certain networks may have high longitudinal signal levels (e.g. 65 V root mean square (rms)); in this case, a higher longitudinal conversion loss may be necessary to ensure adequate operation of the terminal equipment.

Table 2: Longitudinal conversion loss, minimum values

Frequency range	Minimum value
300 Hz to 600 Hz	40 dB
600 Hz to 3 400 Hz	46 dB

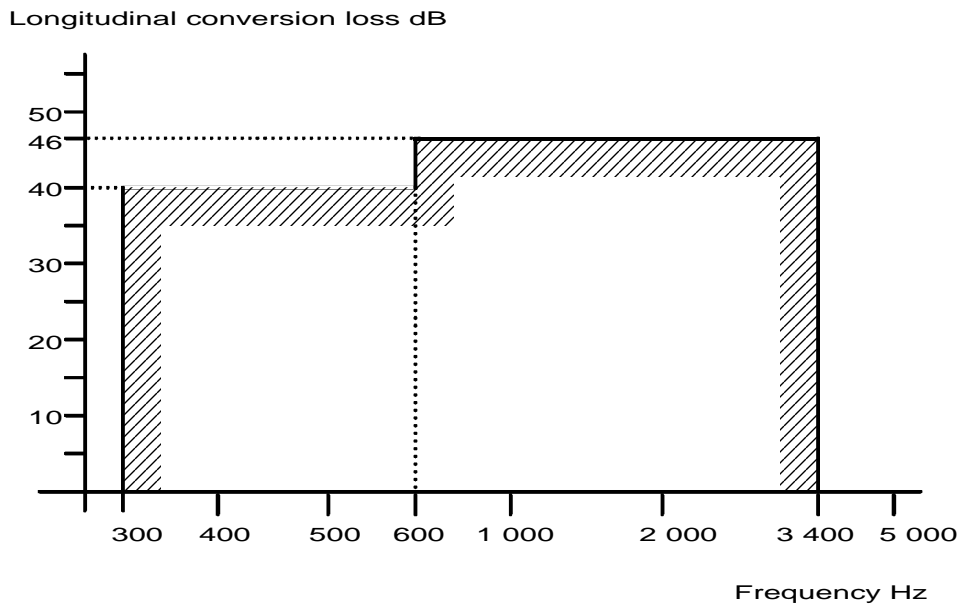


Figure 1: Longitudinal conversion loss, minimum values

Test: The test shall be conducted according to clause A.2.2.

4.2.3 Transmission signals

The source and nature of the output signal from the terminal equipment interface can be classified in several different ways thus dividing the terminal equipments into several non-exclusive categories. One type of terminal equipment may therefore need to be treated as a member of more than one of the categories. For the purposes of the present document, the general categories requiring identification are defined as follows:

- a) any terminal equipment where the output signal is derived in real time from an integral acoustic interface. See clause 4.2.3.1;
- b) any terminal equipment where the output signal is generated electrically within the terminal equipment. See clause 4.2.3.2;
- c) any through connecting terminal equipment where the output signal is derived from another electrical interface. See clause 4.2.3.3.

NOTE: Terminal equipments may belong to more than one category. A telephone may be in both category a) for telephony and category b) for the generation of Dual Tone Multi-Frequency (DTMF) tones. A function for generating synthetic or recorded speech or music, such as is found in answering machines or voice mail, is included in category b).

4.2.3.1 Equipment with an acoustic input

4.2.3.1.1 Sending Loudness Rating (SLR)

Requirement: The minimum SLR of the terminal equipment, when terminated with the reference impedance Z_R , shall be greater than or equal to -5 dB.

NOTE: The minimum SLR value of -5 dB refers to the actual measured value rather than the nominal value, i.e. there is no tolerance on the specified value, and has been specified to ensure no harm to the network. It is recommended that for normal operation, the SLR should be greater than or equal to -2 dB.

Test: The test shall be conducted according to clause A.2.3.

4.2.3.2 Equipment with internally generated electrical signals

4.2.3.2.1 Maximum mean power

Requirement: The mean power level in the frequency range 200 Hz to 3 800 Hz in any one-minute period shall be not greater than -9 dBm when the terminal equipment interface is terminated with the reference impedance Z_R .

Test: The test shall be conducted according to clause A.2.4.

4.2.3.2.2 Maximum instantaneous power (peak voltage)

The maximum instantaneous power is expressed in terms of the peak voltage.

Requirement: The peak voltage from the terminal equipment interface shall not be greater than 2,0 V over the frequency range 200 Hz to 3 800 Hz when the terminal equipment interface is terminated with the reference impedance Z_R .

Test: The test shall be conducted according to clause A.2.5.

4.2.3.2.3 Maximum power in a 10 Hz bandwidth

Requirement: The maximum power within a 10 Hz bandwidth centred at any frequency within the frequency band 0 Hz to 4 300 Hz, and wholly contained within that frequency band, shall not exceed the limits given in table 3 and figure 2 when the terminal equipment interface is terminated with the reference impedance Z_R .

Exceptionally, when sending DTMF tones, the maximum power in a 10 Hz bandwidth between the frequencies 1 200 Hz and 1 700 Hz shall not exceed -3 dBm.

NOTE: Generally, DTMF tones will have a duty cycle of 50 % or less.

Table 3: Maximum power in a 10 Hz bandwidth

Points (see figure 2)	Frequency range kHz	Maximum sending power dBm
A B C	0,0	-33
	0,03	-33
	0,1	-16
D E F	0,3	-6
	3,4	-6
	3,8	-15
	4,3	-44

NOTE: Limits for intermediate frequencies are found by drawing a straight line between the break points in table 3 on a logarithmic(frequency) - linear(dB) scale.

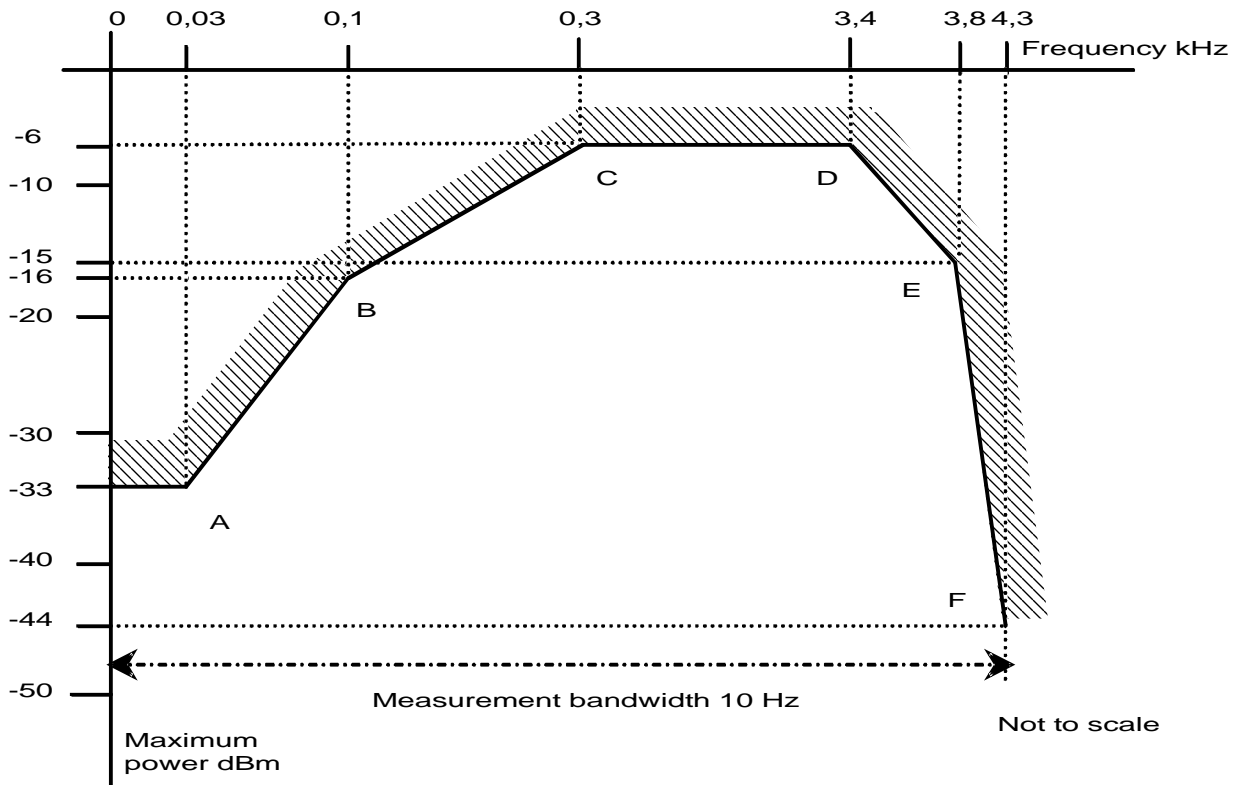


Figure 2: Maximum power in a 10 Hz bandwidth

Test: The test shall be conducted according to clause A.2.6.

4.2.3.3 Equipment with an electrical input

There is no requirement on the level of the output signal in the frequency range 0 Hz to 4 300 Hz where the output signal is derived from another electrical interface (e.g. by through connection).

NOTE: It is not practical to limit the level of signals that originate from another interface on the terminal equipment and therefore there is no requirement on this category of equipment within the present document. It is recommended that the equipment supplier should indicate allowed input signal levels at other ports to which through connection is allowed.

4.2.4 Maximum sending power above 4,3 kHz

This requirement applies to all terminal equipments. Where the output signal from the terminal equipment is derived from an acoustic interface or an electrical interface, these interfaces shall be in their quiescent states.

Requirement: The maximum sending power above 4,3 kHz, in a bandwidth defined in table 4 and wholly contained within the frequency range 4,3 kHz to 2 MHz, arising from normal operation of the terminal equipment when terminated with 120 Ω , shall not exceed the limits shown in table 4 and figure 3.

Exceptionally (e.g. during the sending of DTMF signals), the level of single frequency components in the output spectrum may exceed the limits given in table 4 and figure 3 but shall not exceed -35 dBm per component.

NOTE 1: The terminating impedance of 120 Ω is chosen for the outband requirement as this is a better approximation to the impedance seen by the terminal equipment at these frequencies.

NOTE 2: "Normal operation of the terminal equipment" is defined in the test, see clause A.2.7.

Table 4: Maximum sending power above 4,3 kHz

Points (see figure 3)	Frequency range	Maximum sending power in a specified bandwidth	Measurement bandwidth
G to H	4,3 kHz to 5 kHz	-29 dBm decreasing to -36 dBm	300 Hz
H to I	5 kHz to 7 kHz	-36 dBm decreasing to -46 dBm	300 Hz
J to K	7 kHz to 200 kHz	-41 dBm	1 kHz
L to M	200 kHz to 2 000 kHz	-45 dBm	10 kHz

NOTE: Limits for intermediate frequencies are found by drawing a straight line between the break points in table 4 on a logarithmic(frequency) - linear(dB) scale.

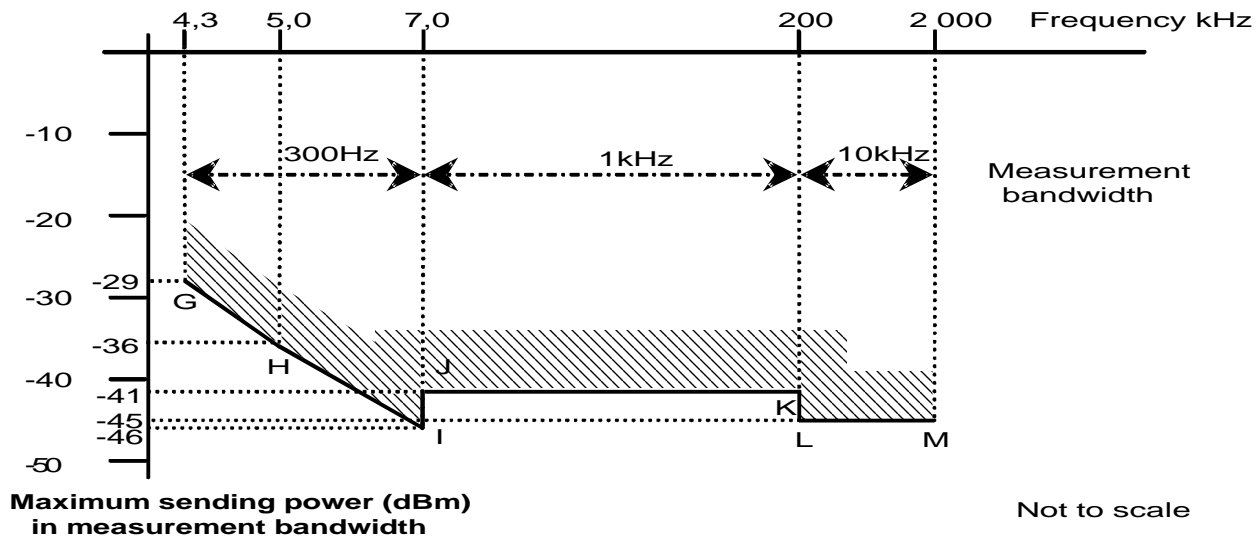


Figure 3: Maximum sending power above 4,3 kHz

Test: The test shall be conducted according to clause A.2.7.

4.2.5 Power feeding

Requirement: The terminal equipment interface shall not feed power to the network interface and shall not require power from the network interface.

Test: The test for power output to the network interface shall be conducted according to clause A.2.8. The test for the requirement not to support power feeding from the network interface is tested indirectly through the various tests of annex A since no power is supplied over the terminal equipment interface from the test equipment.

4.3 Safety

Requirements for safety are outside the scope of the present document.

Safety standards are published by CENELEC.

NOTE 1: An example of such a CENELEC product safety standard is EN 60950 (see annex C).

NOTE 2: For safety categories of interfaces, see EG 201 212. This document is also available from CENELEC as ROBT-002.

4.4 Overvoltage

Overvoltage aspects are outside of the scope of the present document.

4.5 ElectroMagnetic Compatibility (EMC)

EMC requirements are outside the scope of the present document.

Annex A (normative): Test methods

A.1 General

This annex describes the test principles to be used to determine the compliance of a terminal equipment against the requirements of the present document.

It is outside the scope of this annex to identify the specific details of the implementation of the tests.

A terminal equipment may be designed for through-connecting and may fulfil the electrical requirements only if through-connected. In these cases, the requirements of the present document are valid and the tests are carried out with the through-connection terminated as specified by the manufacturer.

Details of test equipment accuracy and the specification tolerance of the test devices are not included in all cases. Where such details are provided, they shall be complied with, but the way they are expressed shall not constrain the method of implementing the test.

NOTE: Attention is drawn to the issue of measurement uncertainty which may be addressed in future documents. Not all the required test results make allowance for spurious events during testing (e.g. errors due to EMC effects), which may make it necessary to repeat a test.

The test configurations given do not imply a specific realization of test equipment or test arrangement, or the use of specific test devices for conformance testing. However, any test configuration used shall provide those test conditions specified under "interface state", "stimulus" and "monitor" for each individual test.

The test equipment shall be a device, or group of devices, that is capable of generating a stimulus signal conforming to the present document and capable of monitoring the signal received from the interface.

A.1.1 Equipment connection

The tests in the present document shall be carried out using the connection method provided in accordance with clause 4.1. Where more than one connection method is provided, the testing shall be performed using the connection method preferred by the equipment supplier.

A.1.2 Reference impedance

Where the test defines the use of the reference impedance (Z_R), this shall be a complex impedance made up of a resistance of $270\ \Omega$ in series with a parallel combination of $750\ \Omega$ and $150\ \text{nF}$. This is shown in figure A.1. Specific realizations of the reference impedance required for the performance of the tests shall have a return loss against Z_R better than 40 dB over the range 300 Hz to 4 000 Hz.

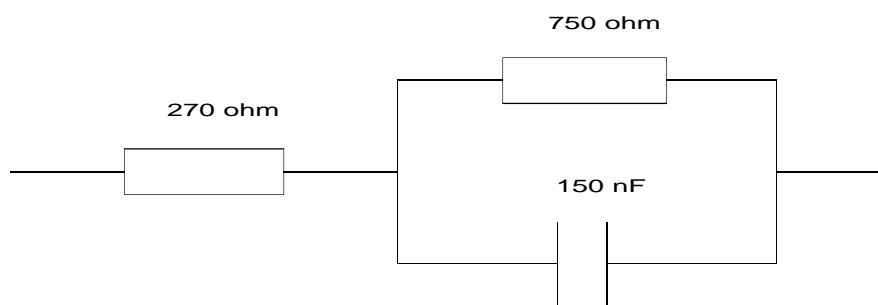


Figure A.1: Reference impedance

A.1.3 Non-reactive termination

Where the test defines the use of a termination impedance (Z_T) of 120Ω , this shall be a non-reactive resistance of $120 \Omega \pm 0,25 \%$.

A.2 Test methods

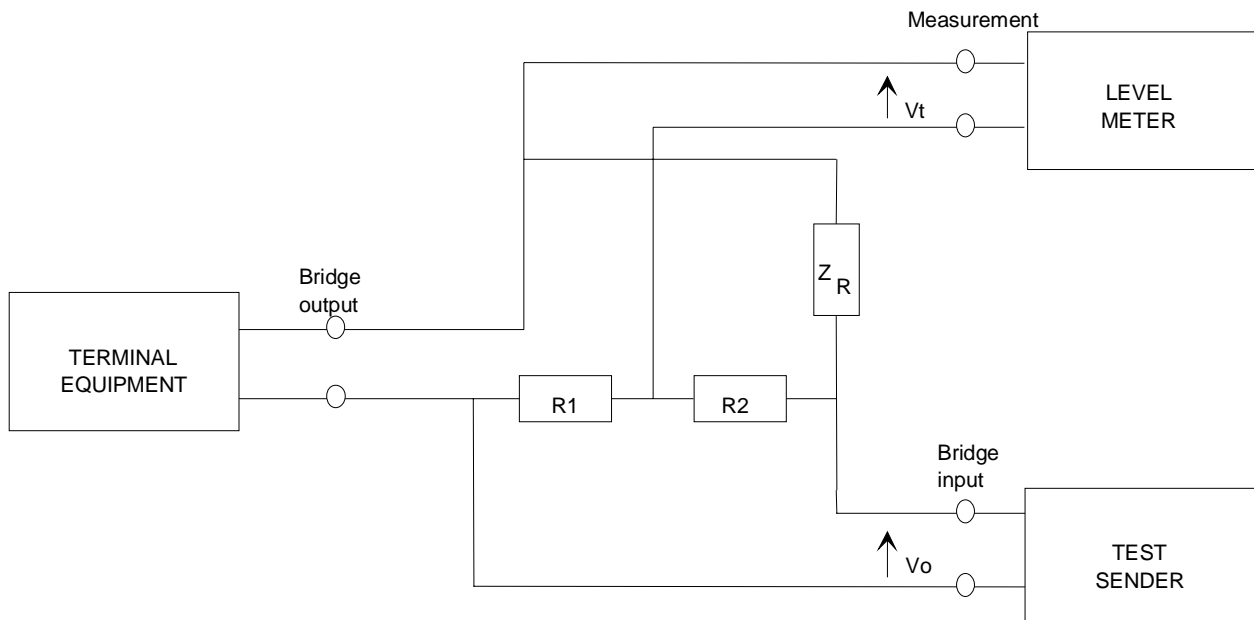
One test may cover more than one requirement. The scope of each test is defined under the heading "purpose".

A.2.1 Return loss

Requirement: Clause 4.2.1.

Purpose: To measure the return loss of the input impedance of the terminal equipment with respect to the reference impedance Z_R .

Test configuration: The terminal equipment is connected as shown in figure A.2.



$R1 = R2$; between 100Ω and 800Ω , preferably 600Ω , matched to better than $0,2 \%$
 Test sender output impedance $< 10 \Omega$

Figure A.2: Return loss measurement

Interface state: Powered.

Stimulus: A sinusoidal signal with a constant voltage is applied to the input of the bridge at various frequencies between 300 Hz and $3\,400 \text{ Hz}$. The constant voltage is that required to give a power level of -9 dBm at $1\,020 \text{ Hz}$ into a reference impedance connected to the output of the bridge. Each measurement frequency shall be spaced by not more than one third of an octave from the next frequency of measurement.

Monitor: The level of voltages V_t and V_o with the terminal equipment output connected to the output of the bridge, as shown in figure A.2. The voltage measurement is conducted using suitable high impedance measuring equipment.

Result: The return loss a shall meet the requirement of clause 4.2.1 across the frequency range, where:

$$a = 20 \log \left| \frac{V_o}{2V_t} \right| \text{dB}$$

where:

V_o is the test signal level

and

V_t is the level measured across the bridge.

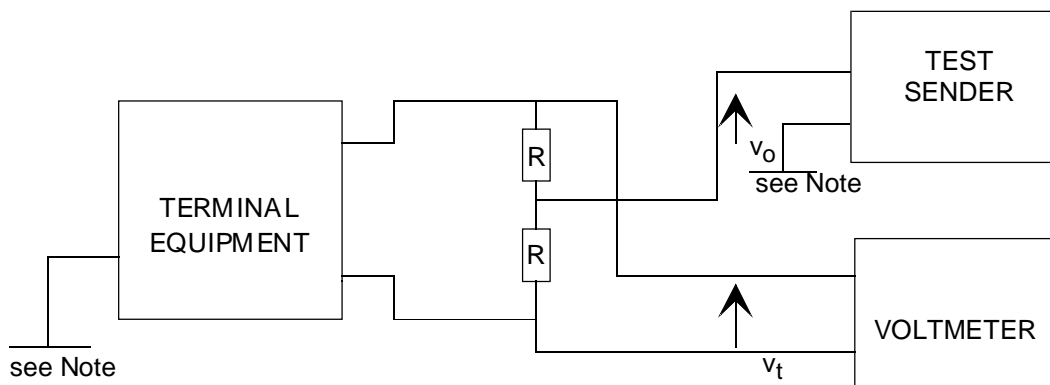
A.2.2 Longitudinal conversion loss

Requirement: Clause 4.2.2.

Purpose: To measure the longitudinal conversion loss of the terminal equipment interface.

NOTE: The test is based on the method defined in ITU-T Recommendation O.9.

Test configuration: Figure A.3



The resistors R shall be $300 \Omega \pm 1 \%$ and matched to better than 0,1 %.

The test sender output impedance is not critical.

NOTE: This point shall be connected to the terminal equipment common reference point or test reference point. In the absence of such a connection point, this shall be a 1 m square copper plate upon which the terminal equipment shall rest.

Figure A.3: Longitudinal conversion loss

Interface state: Powered.

Stimulus: The test sender is swept through the specified frequency range with its output voltage V_o kept constant at 775 mV rms. Measurement of the longitudinal voltage V_t is performed with a suitable frequency selective level measuring instrument.

Monitor: The maximum value of V_t . This value is used to calculate the minimum value of longitudinal conversion loss from the equation:

$$\text{Longitudinal conversion loss} = 20 \log \left| \frac{V_o}{V_t} \right| \text{dB}$$

Result: The longitudinal conversion loss in dB shall be greater than or equal to the figures shown in table 2 and figure 1.

A.2.3 Sending Loudness Rating

Requirement: Clause 4.2.3.1.1.

Purpose: To check the SLR of the terminal equipment. The test consists of the performance of a sending sensitivity test at various frequencies and calculating the SLR from the results of the test.

Test configuration: Figure A.4.

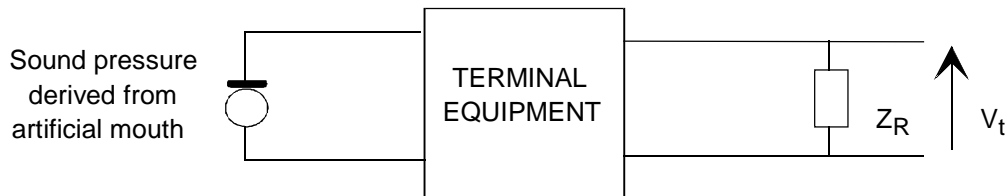


Figure A.4: Measurement of sending sensitivity

Interface state: Powered.

Stimulus: An acoustic signal at one of the frequencies shown in table A.1 and at a sound pressure level of -4,7 dBPa.

Monitor: The output voltage V_t measured at the fundamental frequency of the stimulus. The sending sensitivity S_{mJ} is determined using the method described in clause 8 of ITU-T Recommendation P.64 [3].

Result: The value of the SLR, derived as stated below, shall be in accordance with the requirement of clause 4.2.3.1.1.

The sending sensitivity S_{mJ} at a specified frequency or in a narrow frequency band is expressed as follows:

$$S_{mJ} = 20 \log \frac{V_t}{p_m} \text{ dB, relative to 1 V/Pa}$$

where:

V_t is the voltage across the termination

and:

p_m is the sound pressure at the mouth reference point.

The SLR is derived from the measurements of S_{mJ} obtained at the 14 frequencies shown in table A.1, from the formula:

$$\text{SLR} = -\frac{10}{0,175} \log \sum_{n=1}^{14} 10^{0,0175(S_{mJn} - W_{sn})}$$

where:

W_{sn} is the sending weighting factor for frequency f_n , given in table A.1

and:

W_{sn} is the measured sending sensitivity at frequency f_n .

Table A.1: Parameters required to calculate SLR

Item n	Frequency f_n Hz	Sending weighting factor W_{sn} dB
1	200	76,9
2	250	62,6
3	315	62,0
4	400	44,7
5	500	53,1
6	630	48,5
7	800	47,6
8	1 000	50,1
9	1 250	59,1
10	1 600	56,7
11	2 000	72,2
12	2 500	72,6
13	3 150	89,2
14	4 000	117,0

NOTE: The values of W_{sn} are taken from table 1 of ITU-T Recommendation P.79 and reduced by 0,3 dB to take into account the reduced measurement bandwidth.

A.2.4 Maximum mean power

Requirement: Clause 4.2.3.2.1.

Purpose: To check the maximum mean power from terminal equipments where the output signal is generated internally within the terminal equipment.

Test configuration: Figure A.5.

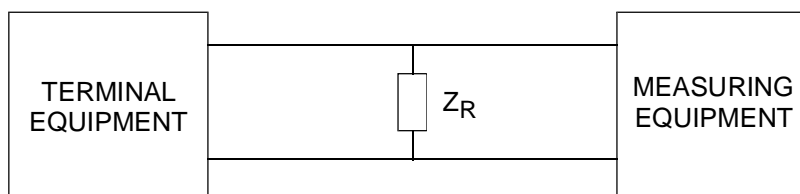


Figure A.5: Maximum mean power

Interface state: Powered.

Stimulus: Terminal equipment with adjustable output level is set up in accordance with the manufacturer's instructions for intended use, or, in the absence of instructions, is set to send at its maximum level. The terminal equipment is then operated in accordance with its intended use. For data equipment (e.g. modems), any output signal may be a test message consisting of a representative bit pattern or a scrambled signal.

For answering machines or similar equipment where the output is derived from recorded speech, any recorded signal shall have been prepared in accordance with the manufacturer's instructions for intended use.

Where a terminal equipment is transmitting DTMF tones, there shall be no more than 20 digits in each one-minute period, with each digit being less than 500 ms duration and the digits separated by a period greater than 500 ms.

Monitor: The mean power level integrated over a one-minute period. When measuring recorded or synthetic speech or music, the test shall be performed with a measuring instrument in accordance with ITU-T Recommendation P.56 [2], using method B.

Result: The maximum mean power in any one-minute period shall not exceed the requirement defined in clause 4.2.3.2.1.

A.2.5 Maximum instantaneous power (peak voltage)

Requirement: Clause 4.2.3.2.2.

Purpose: To check the maximum instantaneous power, specified in terms of a peak voltage, from the terminal equipment.

Test configuration: See figure A.6.

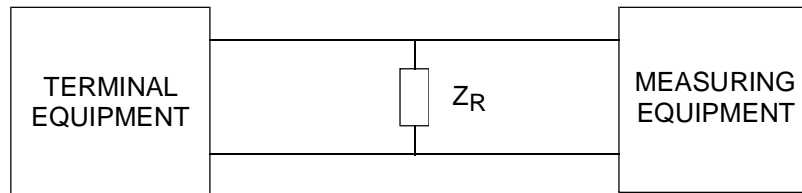


Figure A.6: Maximum instantaneous power (peak voltage)

Interface state: Powered.

Stimulus: Terminal equipment with adjustable output level is set up in accordance with the manufacturer's instructions for intended use, or, in the absence of instructions, is set to send at its maximum level. The terminal equipment is then operated in accordance with its intended use. For data equipment (e.g. modems), any output signal may be a test message consisting of a representative bit pattern or a scrambled signal.

For answering machines or similar equipment where the output is derived from recorded speech, any recorded signal shall have been prepared in accordance with the manufacturer's instructions for intended use.

Where a terminal equipment is transmitting DTMF tones, there shall be no more than 20 digits in each one-minute period, with each digit being less than 500 ms duration and the digits separated by a period greater than 500 ms.

Monitor: The maximum instantaneous voltage level from the terminal equipment, using measuring equipment which has a rise time less than 50 μ s and a detection bandwidth of at least 200 Hz to 3 800 Hz.

Result: The maximum instantaneous voltage level shall not exceed the requirement defined in clause 4.2.3.2.2.

A.2.6 Maximum power in a 10 Hz bandwidth

Requirement: Clause 4.2.3.2.3.

Purpose: To check the maximum power in a 10 Hz bandwidth from terminal equipments where the output signal is generated internally within the terminal equipment.

Test configuration: See figure A.7.

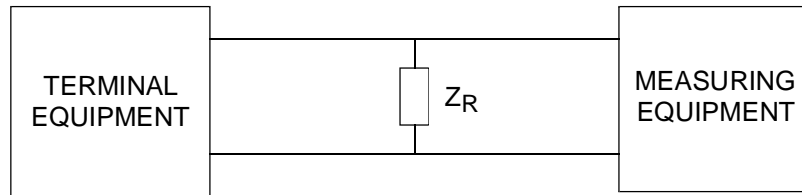


Figure A.7: Maximum power in a 10 Hz bandwidth

Interface state: Powered.

Stimulus: Terminal equipment with adjustable output level is set up in accordance with the manufacturer's instructions for intended use, or, in the absence of instructions, is set to send at its maximum level. The terminal equipment is then operated in accordance with its intended use. For data equipment (e.g. modems), any output signal may be a test message consisting of a representative bit pattern or a scrambled signal.

For answering machines or similar equipment where the output is derived from recorded speech, any recorded signal shall have been prepared in accordance with the manufacturer's instructions for intended use.

Where the terminal equipment is capable of sending DTMF tones, these tones shall be sent continuously where this is supported by the terminal equipment, otherwise DTMF digits shall be sent at the maximum rate allowed.

Monitor: The maximum power from the terminal equipment in a 10 Hz bandwidth at any frequency within the frequency band 25 Hz to 4 300 Hz and wholly contained within that frequency band. In the case of data equipment (e.g. modems), the maximum power shall only be measured during the data transfer phase.

Result: The maximum power in any 10 Hz bandwidth shall not exceed the requirements stated in table 3 and figure 2 of clause 4.2.3.2.3. Exceptionally, when testing with DTMF tones, the maximum power in a 10 Hz bandwidth between the frequencies 1 200 Hz and 1 700 Hz shall not exceed -3 dBm.

A.2.7 Maximum sending power above 4,3 kHz

Requirement: Clause 4.2.4.

Purpose: The test is used to measure the maximum sending power above 4,3 kHz irrespective of where the output signal is derived from.

Test configuration: Figure A.8.

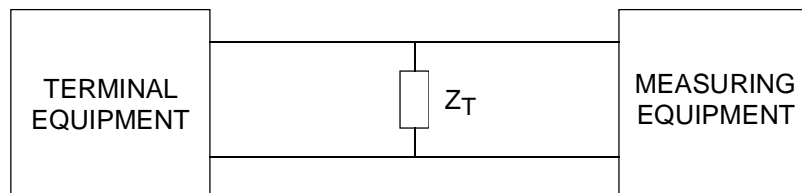


Figure A.8: Maximum sending power above 4,3 kHz

Interface state: Powered.

Stimulus: Terminal equipment with adjustable output level is set up in accordance with the manufacturer's instructions for intended use, or, in the absence of instructions, is set to send at its maximum level. The terminal equipment is then operated in accordance with its intended use. For data equipment (e.g. modems), any output signal may be a test message consisting of a representative bit pattern or a scrambled signal.

For answering machines or similar equipment where the output is derived from recorded speech, any recorded signal shall have been prepared in accordance with the manufacturer's instructions for intended use.

Where the terminal equipment is capable of sending DTMF tones, these tones shall be sent continuously where this is supported by the terminal equipment, otherwise DTMF digits shall be sent at the maximum rate allowed.

For terminal equipment where the output signal is derived in real time from an acoustic interface, the input signal to the acoustic interface shall be in a quiescent state.

For through connecting terminal equipment where the output signal is derived from another electrical interface, the input signal to the electrical interface shall be in a quiescent state.

Monitor: The power over the frequency range 4,3 kHz to 2 000 kHz across the terminating impedance (Z_T) of 120 Ω , using a bandwidth as specified in table A.2 which shall be wholly contained within the specified frequency range.

Table A.2: Measurement bandwidth for maximum sending power above 4,3 kHz

Frequency range	Measurement bandwidth
4,3 kHz to 7 kHz	300 Hz
7 kHz to 200 kHz	1 kHz
200 kHz to 2 000 kHz	10 kHz

Result: The maximum sending power above 4,3 kHz shall not exceed the limits shown in table 4 and figure 3. Exceptionally (e.g. during the sending of DTMF signals), the level of single frequency components in the output spectrum may exceed the limits given in table 4 and figure 3 but shall not exceed -35 dBm per component.

A.2.8 Power feeding

Requirement: Clause 4.2.5.

Purpose: To verify that the terminal equipment is not designed for power feeding by measuring the output current from the terminal equipment into a resistance of 300 Ω .

Test configuration: Figure A.9.

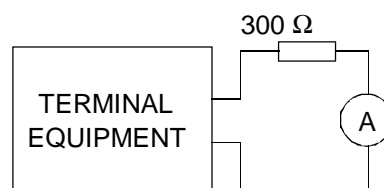


Figure A.9: Power feeding

Interface state: Powered.

Stimulus: None.

Monitor: The current through a resistance of 300 Ω .

Result: The current through 300 Ω shall be less than 1 mA.

Annex B (informative): Bibliography

Council Directive 91/263/EEC of 29 April 1991 on the approximation of the laws of the Member States concerning telecommunications terminal equipment, including the mutual recognition of their conformity"

Council Directive 92/44/EEC of 5 June 1992 on the application of open network provision to leased lines

Directive 98/13/EC of the European Parliament and of the Council of 12 February 1998 relating to telecommunications terminal equipment and satellite earth station equipment, including the mutual recognition of their conformity.

ITU-T Recommendation M.1020 (1993): "Characteristics of special quality international leased circuits with special bandwidth conditioning".

ITU-T Recommendation M.1040 (1988): "Characteristics of ordinary quality international leased circuits".

ITU-T Recommendation O.9 (1993): "Measuring arrangements to assess the degree of unbalance about earth".

ITU-T Recommendation P.79 (1999): "Calculation of loudness ratings for telephone sets".

ETSI TBR 15: "Business TeleCommunications (BTC); Ordinary and special quality voice bandwidth 2-wire analogue leased lines (A2O and A2S); Attachment requirements for terminal equipment interface".

EN 60 950: "Safety of information technology equipment"

ETSI EG 201 212: "Electrical safety; Classification of interfaces for equipment to be connected to telecommunication networks". This document is also available from CENELEC as ROBT-002.

History

Document history		
Edition 1	February 1996	Publication as ETS 300 450
V1.2.1	February 2001	One-step Approval Procedure OAP 20010629: 2001-02-28 to 2001-06-29