

ETSI EN 300 324-3 V3.1.1 (2001-03)

European Standard (Telecommunications series)

**V interfaces at the digital Local Exchange (LE);
V5.1 interface for the support of Access Network (AN);
Part 3: Test Suite Structure and Test Purposes (TSS&TP)
specification for the network layer (AN side)**



Reference

REN/SPAN-09101-3

Keywords

AN, LE, testing, TSS&TP, V interface

ETSI

650 Route des Lucioles
F-06921 Sophia Antipolis Cedex - FRANCE

Tel.: +33 4 92 94 42 00 Fax: +33 4 93 65 47 16

Siret N° 348 623 562 00017 - NAF 742 C
Association à but non lucratif enregistrée à la
Sous-Préfecture de Grasse (06) N° 7803/88

Important notice

Individual copies of the present document can be downloaded from:

<http://www.etsi.org>

The present document may be made available in more than one electronic version or in print. In any case of existing or perceived difference in contents between such versions, the reference version is the Portable Document Format (PDF). In case of dispute, the reference shall be the printing on ETSI printers of the PDF version kept on a specific network drive within ETSI Secretariat.

Users of the present document should be aware that the document may be subject to revision or change of status. Information on the current status of this and other ETSI documents is available at <http://www.etsi.org/tb/status/>

If you find errors in the present document, send your comment to:
editor@etsi.fr

Copyright Notification

No part may be reproduced except as authorized by written permission.
The copyright and the foregoing restriction extend to reproduction in all media.

© European Telecommunications Standards Institute 2001.
All rights reserved.

Contents

Intellectual Property Rights	6
Foreword.....	6
1 Scope.....	7
2 References.....	7
3 Definitions and abbreviations.....	8
3.1 Definitions.....	8
3.2 Abbreviations.....	9
4 Test Suite Structure (TSS)	10
4.1 TSS overview.....	10
4.2 Test groups	11
4.2.1 Protocol groups.....	11
4.2.1.1 Control protocol	11
4.2.1.2 PSTN protocol.....	12
4.2.2 Main test groups	12
4.2.2.1 Basic Interconnection (IT) tests.....	12
4.2.2.2 Capability (CA) tests	12
4.2.2.3 Valid Behaviour (BV) tests.....	12
4.2.2.4 Inopportune Behaviour (BO) tests.....	12
4.2.2.5 Invalid Behaviour (BI) tests.....	12
4.2.2.6 Timer (TI) expiry and counter mismatch tests.....	13
4.2.2.6.1 Timer expiry and counters of the Control protocol	13
4.2.2.6.2 Timer expiry and counters of the PSTN protocol.....	13
4.2.2.6.3 Timer expiry and counters of the AN system management	13
4.3 Test step structure.....	14
4.3.1 State transitions.....	14
4.3.1.1 Startup of V5.1 interface.....	14
4.3.1.2 Common control protocol (system management).....	15
4.3.1.3 Control protocol (PSTN port FSM).....	16
4.3.1.4 Control protocol (ISDN-BA port FSM).....	16
4.3.1.5 PSTN protocol.....	16
4.3.2 Preconditions	17
4.3.3 Preambles	17
4.3.4 Postambles.....	17
4.3.5 Status verification	17
4.3.5.1 PSTN protocol.....	17
4.3.5.2 Port control protocol.....	18
4.3.5.3 Common control protocol	18
4.3.6 Common test steps	18
4.4 Defaults	18
4.5 Abstract Service Primitives (ASPs) and Protocol Data Units (PDUs).....	18
4.5.1 ASPs	18
4.5.2 PDUs.....	18
4.5.2.1 Common control protocol	18
4.5.2.2 Port control protocol	18
4.5.2.3 PSTN protocol.....	19
4.5.3 Information elements	19
4.5.3.1 Variable length information elements.....	19
4.5.3.1.1 Control protocol	19
4.5.3.1.2 PSTN protocol	19
4.5.3.2 Single octet information elements	20
4.5.3.2.1 Control protocol	20
4.5.3.2.2 PSTN protocol	20
4.6 Timers and counters of the Abstract Test Suite (ATS).....	20

5	Test Purposes (TPs)	21
5.1	Introduction	21
5.1.1	TP naming convention	21
5.1.2	Source of TP definition	21
5.1.3	Test strategy	22
5.1.4	Requirements not covered by TPs.....	22
5.1.5	Initial state.....	23
5.1.6	Test and data configuration requirements.....	23
5.2	Control protocol	23
5.2.1	Basic interconnection tests (V5NWKAN/CTRL/IT)	23
5.2.2	Capability tests (V5NWKAN/CTRL/CA).....	23
5.2.3	Valid behaviour tests (V5NWKAN/CTRL/BV)	24
5.2.3.1	V5NWKAN/CTRL/BV/COM.....	24
5.2.3.1.1	V5NWKAN/CTRL/BV/COM/TRANS	24
5.2.3.1.2	V5NWKAN/CTRL/BV/COM/REST	24
5.2.3.1.3	V5NWKAN/CTRL/BV/COM/REVV	25
5.2.3.2	V5NWKAN/CTRL/BV/PORT.....	26
5.2.3.2.1	V5NWKAN/CTRL/BV/PORT/TRANS.....	26
5.2.3.2.2	V5NWKAN/CTRL/BV/PORT/PSTN	26
5.2.3.2.3	V5NWKAN/CTRL/BV/PORT/ISDNBA	28
5.2.4	Inopportune behaviour tests (V5NWKAN/CTRL/BO).....	31
5.2.4.1	V5NWKAN/CTRL/BO/COM.....	31
5.2.4.1.1	V5NWKAN/CTRL/BO/COM/TRANS	31
5.2.4.1.2	V5NWKAN/CTRL/BO/COM/REVV	31
5.2.4.2	V5NWKAN/CTRL/BO/PORT.....	31
5.2.4.2.1	V5NWKAN/CTRL/BO/PORT/TRANS.....	31
5.2.4.2.2	V5NWKAN/CTRL/BO/PORT/PSTN	32
5.2.4.2.3	V5NWKAN/CTRL/BO/PORT/ISDNBA	32
5.2.5	Invalid behaviour tests (V5NWKAN/CTRL/BI)	33
5.2.5.1	V5NWKAN/CTRL/BI/COM	33
5.2.5.1.1	V5NWKAN/CTRL/BI/COM/TRANS	33
5.2.5.2	V5NWKAN/CTRL/BI/PORT	34
5.2.5.2.1	V5NWKAN/CTRL/BI/PORT/TRANS	34
5.2.6	Timer expiry and counter mismatch tests (V5NWKAN/CTRL/TI).....	35
5.2.6.1	V5NWKAN/CTRL/TI/COM	35
5.2.6.1.1	V5NWKAN/CTRL/TI/COM/TRANS.....	35
5.2.6.2	V5NWKAN/CTRL/TI/PORT	36
5.2.6.2.1	V5NWKAN/CTRL/TI/PORT/TRANS	36
5.3	PSTN protocol	36
5.3.1	Basic interconnection tests (V5NWKAN/PSTN/IT).....	36
5.3.2	Capability tests (V5NWKAN/PSTN/CA)	37
5.3.3	Valid behaviour tests (V5NWKAN/PSTN/BV)	37
5.3.3.1	V5NWKAN/PSTN/BV/0.....	37
5.3.3.2	V5NWKAN/PSTN/BV/1.....	38
5.3.3.3	V5NWKAN/PSTN/BV/2.....	39
5.3.3.4	V5NWKAN/PSTN/BV/3.....	40
5.3.3.5	V5NWKAN/PSTN/BV/4.....	41
5.3.3.6	V5NWKAN/PSTN/BV/5.....	42
5.3.3.7	V5NWKAN/PSTN/BV/6.....	43
5.3.3.8	V5NWKAN/PSTN/BV/7.....	44
5.3.4	Inopportune behaviour tests (V5NWKAN/PSTN/BO)	45
5.3.4.1	V5NWKAN/PSTN/BO/0.....	45
5.3.4.2	V5NWKAN/PSTN/BO/1.....	46
5.3.4.3	V5NWKAN/PSTN/BO/2.....	46
5.3.4.4	V5NWKAN/PSTN/BO/3.....	47
5.3.4.5	V5NWKAN/PSTN/BO/4.....	47
5.3.4.6	V5NWKAN/PSTN/BO/5.....	48
5.3.4.7	V5NWKAN/PSTN/BO/6.....	48
5.3.4.8	V5NWKAN/PSTN/BO/7.....	49
5.3.5	Invalid behaviour tests (V5NWKAN/PSTN/BI).....	49
5.3.5.1	V5NWKAN/PSTN/BI/1	49
5.3.5.2	V5NWKAN/PSTN/BI/5	50

5.3.6	Timer expiry and counter mismatch tests (V5NWKAN/PSTN/TI)	51
5.3.6.1	V5NWKAN/PSTN/TI/2.....	51
5.3.6.2	V5NWKAN/PSTN/TI/3.....	51
5.3.6.3	V5NWKAN/PSTN/TI/4.....	52
5.3.6.4	V5NWKAN/PSTN/TI/5.....	52
5.3.6.5	V5NWKAN/PSTN/TI/7.....	52
	Bibliography.....	53
	History	54

Intellectual Property Rights

IPRs essential or potentially essential to the present document may have been declared to ETSI. The information pertaining to these essential IPRs, if any, is publicly available for **ETSI members and non-members**, and can be found in ETSI SR 000 314: "*Intellectual Property Rights (IPRs); Essential, or potentially Essential, IPRs notified to ETSI in respect of ETSI standards*", which is available from the ETSI Secretariat. Latest updates are available on the ETSI Web server (<http://www.etsi.org/ipr>).

Pursuant to the ETSI IPR Policy, no investigation, including IPR searches, has been carried out by ETSI. No guarantee can be given as to the existence of other IPRs not referenced in ETSI SR 000 314 (or the updates on the ETSI Web server) which are, or may be, or may become, essential to the present document.

Foreword

This European Standard (Telecommunications series) has been produced by ETSI Technical Committee Services and Protocols for Advanced Networks (SPAN).

The present document is part 3 of a multi-part deliverable, covering the V5.1 interface at the digital Local Exchange (LE); V5.1 interface for the support of Access Network (AN), as described below:

- Part 1: "V5.1 interface specification";
- Part 2: "Protocol Implementation Conformance Statement (PICS) proforma specification";
- Part 3: "Test Suite Structure and Test Purposes (TSS&TP) specification for the network layer (AN side)";**
- Part 4: "Abstract Test Suite (ATS) and partial Protocol Implementation eXtra Information for Testing (PIXIT) proforma specification for the network layer (AN side)";
- Part 5: "Test Suite Structure and Test Purposes (TSS&TP) specification for the network layer (LE side)";
- Part 6: "Abstract Test Suite (ATS) and partial Protocol Implementation eXtra Information for Testing (PIXIT) proforma specification for the network layer (LE side)";
- Part 7: "Test Suite Structure and Test Purposes (TSS&TP) specification for the data link layer";
- Part 8: "Abstract Test Suite (ATS) and partial Protocol Implementation eXtra Information for Testing (PIXIT) proforma specification for the data link layer";
- Part 9: "Test specification for the physical layer".

National transposition dates	
Date of adoption of this EN:	16 March 2001
Date of latest announcement of this EN (doa):	30 June 2001
Date of latest publication of new National Standard or endorsement of this EN (dop/e):	31 December 2001
Date of withdrawal of any conflicting National Standard (dow):	31 December 2001

1 Scope

The present document contains the Test Suite Structure (TSS) and Test Purposes (TPs) for the Network layer (NWK) and parts of the system management of the Access Network (AN) side of a V5.1 interface.

The objective of the present document is to provide conformance tests giving a high probability of inter-operability of an AN and a Local Exchange (LE) from different manufacturers over the V5.1 interface. The present document covers only the procedures described in EN 300 324-1 [1].

ISO/IEC 9646-1 [5] is used as the basis for the methodology of conformance testing.

Concerning the Public Switched Telephone Network (PSTN) protocol testing, only the procedures defined in EN 300 324-1 [1] are covered by the tests defined in the present document. An Implementation Under Test (IUT), however, will have implemented a national PSTN protocol part as well. This requires that the tester generates messages containing the national PSTN protocol specific optional Information Elements (IEs), otherwise the IUT would not act on messages according to the PSTN protocol procedure definition. However, this does not provide a comprehensive test of the national PSTN protocol mapping specification, which is outside the scope of the present document.

As the tests use PSTN messages containing optional IEs according to national specifications, the test result is only valid for the implemented national mapping of the V5.1 PSTN protocol.

The present document does not cover tests related to functions of the bearer channel. Those functions should be tested in conjunction with testing of the national PSTN protocol mapping specification.

The present document contains no requirements concerning NWK tests for Integrated Services Digital Network Basic Access (ISDN-BA).

2 References

The following documents contain provisions which, through reference in this text, constitute provisions of the present document.

- References are either specific (identified by date of publication, edition number, version number, etc.) or non-specific.
- For a specific reference, subsequent revisions do not apply.
- For a non-specific reference, the latest version applies.
- A non-specific reference to an ETS shall also be taken to refer to later versions published as an EN with the same number.

- [1] ETSI EN 300 324-1 (V2.1.1): "V interfaces at the digital Local Exchange (LE); V5.1 interface for the support of Access Network (AN); Part 1: V5.1 interface specification".
- [2] ETSI EN 300 324-2: "V interface at the digital Local Exchange (LE); V5.1 interface for the support of Access Network (AN); Part 2: Protocol Implementation Conformance Statement (PICS) proforma specification".
- [3] ETSI ETS 300 297 (1995): "Integrated Services Digital Network (ISDN); Access digital section for ISDN basic access".
- [4] ISO 7498-2: "Information processing systems - Open Systems Interconnection - Basic Reference Model - Part 2: Security Architecture".
- [5] ISO/IEC 9646-1: "Information Technology - Open Systems Interconnection - Conformance testing methodology and framework - Part 1: General concepts".

3 Definitions and abbreviations

3.1 Definitions

For the purposes of the present document, the following terms and definitions apply, together with those given in EN 300 324-1 [1]:

Abstract Test Case (ATC): refer to ISO/IEC 9646-1 [5]

Abstract Test Suite (ATS): refer to ISO/IEC 9646-1 [5]

current provisioning variant: identifier for the presently active data set

data link layer: refer to ISO 7498-2 [4]

implementation under test: refer to ISO/IEC 9646-1 [5]

incorrect information element: specified information element carrying information element types not defined in EN300 324-1 [1]

invalid PSTN information element: pSTN information element not according to national specific requirements

invalid Protocol Data Unit: pDU which contains incorrect message format

invalid PSTN message: pSTN message carrying information elements not according to national specific requirements

lower tester: refer to ISO/IEC 9646-1 [5]

network layer: refer to ISO 7498-2 [4]

network termination: equipment providing the network side at the ISDN user-network interface for the basic access

NOTE: This term is used in the present document to indicate network-terminating aspects of NT1 and NT2.

new provisioning variant: identifier for the data set which was announced to the IUT to become the next active data set through reprovisioning

physical layer: refer to ISO 7498-2 [4]

Protocol Implementation Conformance Statement: refer to ISO/IEC 9646-1 [5]

PICS proforma: refer to ISO/IEC 9646-1 [5]

specified information element: information element identifier defined in EN 300 324-1 [1]

System Under Test (SUT): refer to ISO/IEC 9646-1 [5]

Test Purpose (TP): refer to ISO/IEC 9646-1 [5]

unknown provisioning variant: identifier for a non-available data set

unspecified Information Element: information element identifier not defined in EN 300 324-1 [1]

valid information element: pSTN information element according to national specific requirements

valid PSTN message: pSTN message carrying information elements according to national specific requirements

3.2 Abbreviations

For the purposes of the present document, the following abbreviations apply:

AN	Access Network
ASP	Abstract Service Primitive
ATC	Abstract Test Case
ATS	Abstract Test Suite
BI	Invalid Behaviour
BO	Inopportune Behaviour
BV	Valid Behaviour
CA	Capability
COM	Common control protocol
CTRL	Control
DSAP	Data link Service Access Point
FE	Function Element
FSM	Finite State Machine
ID	Identifier
IE	Information Element
ISDN	Integrated Services Digital Network
ISDN-BA	ISDN Basic Access
IT	Basic Interconnection
IUT	Implementation Under Test
L3addr	Layer 3 address
LE	Local Exchange
LT	Lower Tester
MDU	Management Data Unit
MPH	Management Physical Layer
NT	Network Termination
NWK	Network layer
PDU	Protocol Data Unit
PICS	Protocol Implementation Conformance Statements
PL	Permanent Line
PSTN	Public Switched Telephone Network
REST	Restart
REVV	Verify and Reprovisioning
SUT	System Under Test
TE	Terminal Equipment (ISDN or PSTN)
TI	Timer
TP	Test Purpose
TSS	Test Suite Structure
UNI	User Network Interface

4 Test Suite Structure (TSS)

4.1 TSS overview

Figure 1 shows the structure of the V5.1 AN side NWK test suite.

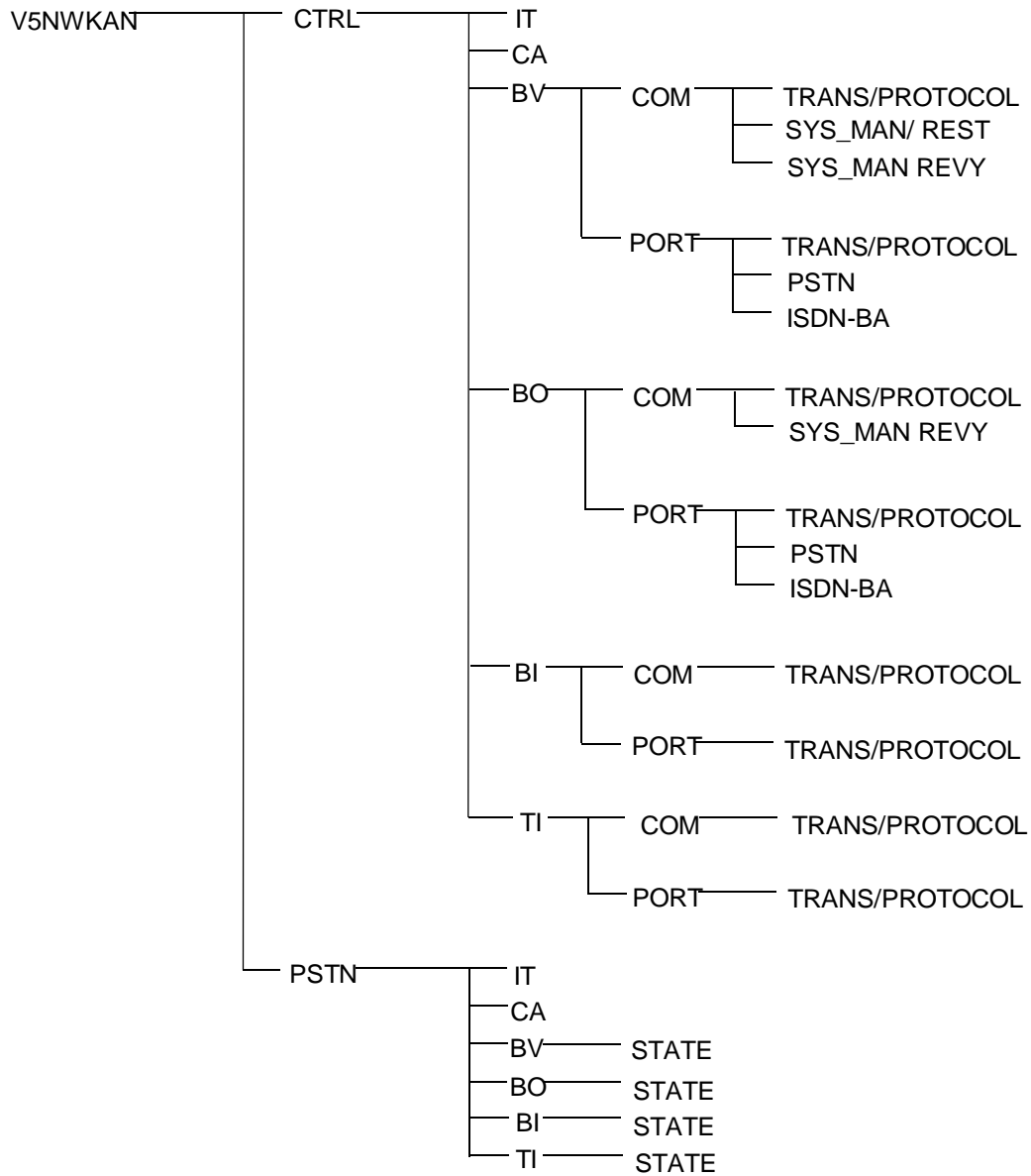


Figure 1: NWK AN TSS

4.2 Test groups

Figure 2 gives an overview of the various protocol entities of a V5.1 interface. Table 1 maps each protocol entity on tested protocol groups.

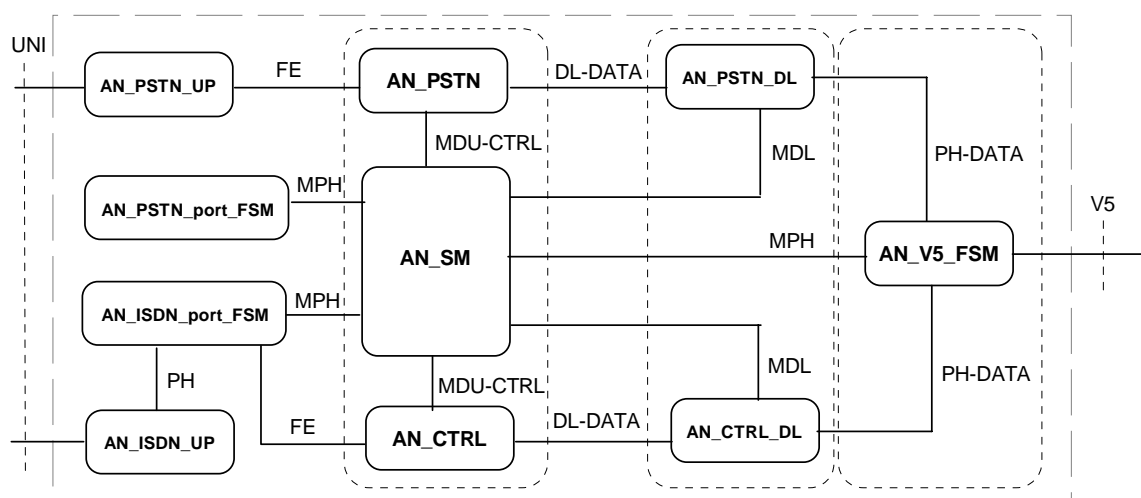


Figure 2: Network Layer AN - protocol entity overview

Table 1: Names used in figure 2 that correspond to EN 300 324-1 [1]

NWK protocol entities	Protocol entities defined in EN 300 324-1 [1]	Protocol group reference
AN_PSTN_UP	AN_PSTN_user_port	4.2.1.1
AN_PSTN_port_FSM	AN_PSTN_user_port_FSM	4.2.1.1
AN_ISDN_port_FSM	AN_ISDN_BA_user_port_FSM	4.2.1.1
AN_ISDN_UP	AN_ISDN_BA_user_port AN_ISDN_PRA_user_port	4.2.1.1
AN_CTRL	AN_control_protocol	4.2.1.1
AN_SYS	AN_system_management	4.2.1.1
AN_PSTN	AN_PSTN_protocol	4.2.1.2

4.2.1 Protocol groups

4.2.1.1 Control protocol

All tests in the Control protocol (V5NWKAN/CTRL) test group are intended to verify as thoroughly as possible the various procedures of the AN_control_protocol entity. Depending on provisioning the following configurations are covered:

AN_system_management: the start-up, restart, re-provisioning and verification procedures of normal operation of the AN_system_management (V5NWKAN/CTRL/BV/COM/REST, V5NWKAN/CTRL/BV/COM/REVV) and V5NWKAN/CTRL/BO/COM/REVV) are tested.

AN_control_protocol: the normal and exceptional procedures of the AN_control_protocol are verified in the test groups V5NWKAN/CTRL/BV/COM/TRANS, V5NWKAN/CTRL/BO/COM/TRANS, V5NWKAN/CTRL/TI/COM/TRANS, V5NWKAN/CTRL/BV/PORT/TRANS, V5NWKAN/CTRL/BO/PORT/TRANS and V5NWKAN/CTRL/TI/PORT/TRANS. Contents of the AN_control_protocol values are not verified (e.g. the control function ID). The error handling procedures are verified in test groups V5NWKAN/CTRL/BI/COM/TRANS and V5NWKAN/CTRL/BI/PORT/TRANS.

AN_PSTN_user_port: the blocking, blocking request and co-ordinated unblocking procedures of the AN_PSTN_user_port_FSM are verified in the test group V5NWKAN/CTRL/BV/PORT/PSTN. The interworking of the AN_PSTN_user_port_FSM and the AN_PSTN_protocol entity is tested via the AN_system_management.

AN_ISDN-BA_user_port: the blocking, blocking request, co-ordinated unblocking and activation/deactivation procedures of the AN_ISDN-BA_user_port_FSM are verified in the test group V5NWKAN/CTRL/BV/PORT/ISDNBA and V5NWKAN/CTRL/BO/PORT/ISDNBA.

4.2.1.2 PSTN protocol

All tests in the PSTN protocol (V5NWKAN/PSTN) test group are intended to verify as thoroughly as possible the various procedures of the AN_PSTN_protocol entity.

The following PSTN procedures are covered:

- all path related normal operation procedures;
- significant path related exceptional procedures;
- the status enquiry procedure;
- the error handling procedures;
- the layer 3 error detection procedure;
- the port blocking procedure;
- the restart procedure.

4.2.2 Main test groups

4.2.2.1 Basic Interconnection (IT) tests

The IT test subgroup contains a basic set of TPs which assures that there is a sufficient conformance for interconnection and that the chosen parameters are valid for the configuration.

4.2.2.2 Capability (CA) tests

Capability testing provides a limited testing to ascertain the capabilities stated in the PICS can be observed.

4.2.2.3 Valid Behaviour (BV) tests

Predefined state transitions are considered as valid. The test purpose in the valid behaviour test subgroup cover as far as reasonable the verification of the normal and exceptional procedures of the various FSMs.

A valid test is a test where the message sequence and the message contents is considered as valid (no error indication shall be indicated).

4.2.2.4 Inopportune Behaviour (BO) tests

This test subgroup is intended to verify that the IUT is able to react properly in the case an inopportune protocol event occurring. Such an event is syntactically correct but occurs when it is not expected and an error indication is caused.

4.2.2.5 Invalid Behaviour (BI) tests

This test subgroup is intended to verify that the IUT is able to react properly having received an invalid PDU. An invalid PDU is defined as a syntactically incorrect message and therefore an error indication is caused.

4.2.2.6 Timer (TI) expiry and counter mismatch tests

Different timers and counters are defined to supervise the various state transitions. This test subgroup is intended to verify that the Finite State Machine (FSM) is reacting properly to an expiry of one of the timers or counter mismatch.

4.2.2.6.1 Timer expiry and counters of the Control protocol

Refer to EN 300 324-1 [1], table 58.

T01	PORT CONTROL message sent
T02	COMMON CONTROL message sent

4.2.2.6.2 Timer expiry and counters of the PSTN protocol

Refer to EN 300 324-1 [1], table 28.

T1	Subscriber seizure/Line information ESTABLISH sent
T2	Time out T1 or T2
T3	DISCONNECT sent
Tr	SIGNAL or PROTOCOL PARAMETER received
Tt	SIGNAL sent

Refer to EN 300 324-1 [1], clause 13.5.5.

S(S)	Sequence number to be sent/transmitted in next message
S(A)	Sequence number on the last acknowledged message
S(R)	Sequence number to be received in next message
M(S)	Sequence number of transmitted message
M(R)	Sequence number of next received message

4.2.2.6.3 Timer expiry and counters of the AN system management

Refer to EN 300 324-1 [1], annex C, table C.1.

TR1	MDU-CTRL(restart request) to all PSTN protocol FSMs
TR2	MDU-CTRL(restart request) to or from CTRL protocol
TC1	MDL-RELEASE-INDICATION from CONTROL-DL
TC2	Expiry of TC1
TC3	MDL-RELEASE-INDICATION from PSTN-DL
TC8	Expiry of TC2
TC9	Cold restart of V5 interface
TV1	MDU-CTRL(request variant & interface ID) to CTRL protocol

4.3 Test step structure

General dynamic behaviours are described in test steps which can be called from all ATCs within the ATS:

state transitions	(refer to clause 4.3.1)
preconditions	(refer to clause 4.3.2)
preambles	(refer to clause 4.3.3)
postambles	(refer to clause 4.3.4)
status checks	(refer to clause 4.3.5)
common behaviours	(refer to clause 4.3.6)

4.3.1 State transitions

The following clauses identify the test steps used in the ATS. In general, each test step represents a state transition. For example in the PSTN protocol, PSTN_AN1_2 is the test step which brings the AN PSTN_protocol_FSM from PSTN_path_state AN1 to PSTN_path_state AN2. The state transitions are declared in the parenthesis (originating state - destination state) which follow the test step names.

Three groups of state transitions are defined:

STARTUP	startup the V5.1 interface and put the IUT into the initial state as defined in clause 5.1.5.
CTRL	state transitions used to preamble and postamble the Control protocol before a test purpose can be performed.
PSTN	state transitions used to preamble and postamble the PSTN protocol before a test purpose can be performed.

To test the V5.1 interface certain sequences (i.e. preamble) shall be executed to reach the state which is the subject for the TPs.

4.3.1.1 Startup of V5.1 interface

The startup procedure for a V5.1 interface depends on the provisioned data configuration. Therefore, the two PICS M1 and M2 (refer to clause 6.5.1 of EN 300 324-2 [2]) are used to define the implemented configuration of the IUT.

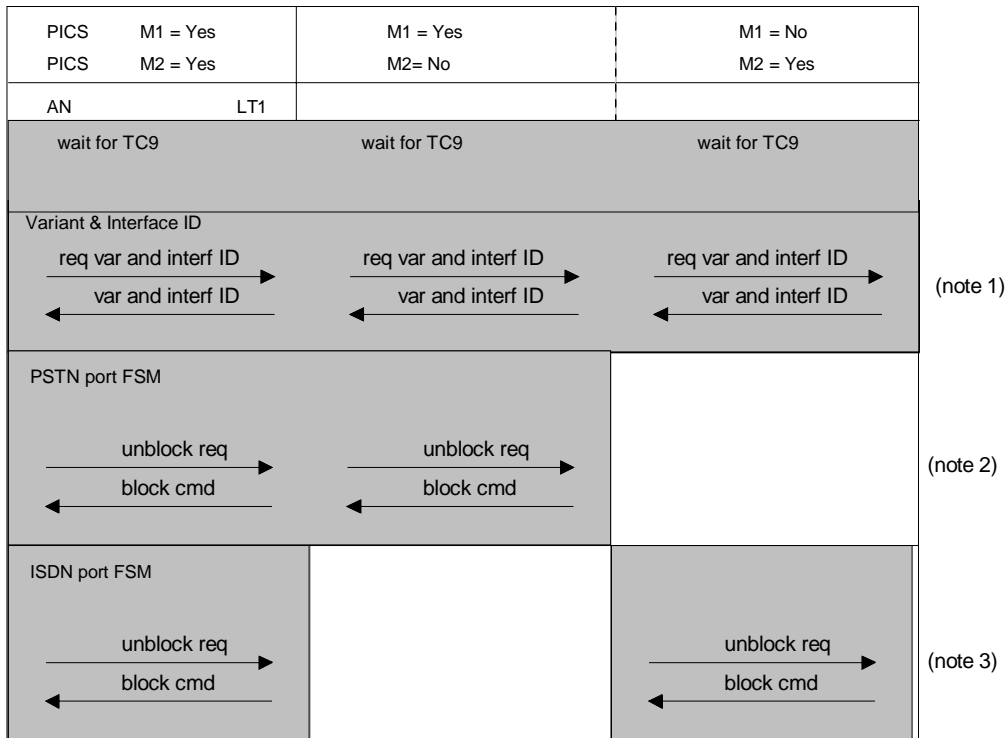
NOTE 1: EN 300 324-2 [2] requires at least one of the two PICS to be set to "Yes".

PICS description:

M1:	ISDN-BA ports supported;
M2:	PSTN ports supported.

NOTE 2: One port of each supported type shall be provisioned in a way that the IUT tries to enter the operational state for these ports after system startup (see clause 5.1.6).

Depending on the setting of the PICS, the startup procedure is described in figure 2. This flow diagram describes the test step called STARTUP_AN.



- NOTE 1: A test of the IUT's capability of receiving a request for the variant and interface ID is covered in clause 5.2.3.1.1.
- NOTE 2: To reach the initial state of the IUT PSTN user port FSM as defined in clause 5.1.5, the IUT's unblocking request is rejected by LT1. Before rejecting the unblock request, it shall be verified that the IUT PSTN protocol has entered the PSTN_path_state AN6 (Port blocked).
- NOTE 3: To reach the initial state of the ISDN-BA user port FSM as defined in clause 5.1.5, the IUT's unblocking request is rejected by LT1.

Figure 3: STARTUP_AN flow diagram

4.3.1.2 Common control protocol (system management)

Refer to EN 300 324-1 [1], table 60 and annex C.

CTRL_COM_AN0_1

On AN system startup (reset or initialization) the AN_CONTROL_DL is established between AN and LT1 and the Common and Port control protocol enter the In Service state AN1.

4.3.1.3 Control protocol (PSTN port FSM)

Refer to EN 300 324-1 [1], table 40.

CTRL_PSTN_AN20_10

On receipt of a PORT CONTROL message containing the control_function_element IE FE203 (block_cmd) the IUT shall enter state AN1.0.

NOTE 1: This results in a state transition of the PSTN protocol as well. The PSTN protocol of the affected port is forced to enter the PSTN_path_state AN6.

CTRL_PSTN_AN10_20

On receipt of a PORT CONTROL message containing the control_function_element IE FE201 (unblock_req) the IUT shall respond with the PORT CONTROL message containing the control_function_element IE FE202 (unblock_ack) and then enter state AN2.0.

NOTE 2: This results in a state transition of the PSTN protocol as well. The PSTN protocol of the affected port is forced to enter the PSTN_path_state AN1.

4.3.1.4 Control protocol (ISDN-BA port FSM)

Refer to EN 300 324-1 [1], table 35.

CTRL_ISDNBA_AN20_10

On receipt of a PORT CONTROL message containing the control_function_element IE FE203 (block_cmd) the IUT shall enter state AN1.0.

CTRL_ISDNBA_AN10_20

On receipt of a PORT CONTROL message containing the control_function_element IE FE201 (unblock_req) the IUT shall respond with the PORT CONTROL message containing the control_function_element IE FE202 (unblock_ack) and then enter state AN2.0.

CTRL_ISDNBA_AN20_22

On receipt of a PORT CONTROL message containing the control_function_element IE FE101 (activate_access_req) the IUT shall enter state AN2.2 (access activated) when UNI reach successful activation and respond with a PORT CONTROL message containing the control_function_element IE FE104 (access_activated_ind).

CTRL_ISDNBA_AN22_20

On receipt of a PORT CONTROL message containing the control_function_element IE FE105 (deactivate_access_req) the IUT shall enter state AN2.0 (operational deactivated) when UNI reach successful deactivation and respond with a PORT CONTROL message containing the control_function_element IE FE106 (access_deactivated_ind).

4.3.1.5 PSTN protocol

Refer to EN 300 324-1 [1], table 29.

All messages sent within the test steps shall be valid PSTN messages.

PSTN_ANx_6 ≡ CTRL_PSTN_AN20_10 (refer to clause 4.3.1.3)

On receipt of a PORT CONTROL message containing the control_function_element IE FE203 (block_cmd) the PSTN protocol FSM shall enter the PSTN_path_state AN6.

PSTN_AN1_0

On receipt of a MDU_CTRL (restart_req) message the IUT shall send a COMMON CONTROL message containing the control_function_id IE "restart req".

The IUT shall send a COMMON CONTROL message containing the control_function_id IE "restart complete".

PSTN_AN6_1 ≡ CTRL_PSTN_AN10_20 (refer to clause 4.3.1.3)

On receipt of a PORT CONTROL message containing the control_function_element IE FE201 (unblock_req) the IUT shall respond with the PORT CONTROL message containing the control_function_element IE FE202 (unblock_ack) and the PSTN protocol shall enter the PSTN_path_state AN1. The subscriber line shall be monitored for a subscriber seizure or line information condition. If this condition exists the IUT shall send an ESTABLISH message. (refer to EN 300 324-1 [1], clause 13.5.4.2).

PSTN_AN1_2

On receipt of an originating call attempt (FE-subscriber_seizure) the IUT shall send the message ESTABLISH and enter the PSTN_path_state AN2 (Path initiated by AN).

PSTN_AN2_3

On receipt of a FE-subscriber_release, the IUT shall enter the PSTN_path_state AN3.

PSTN_AN1_4

On receipt of the event FE-line_information, the IUT shall send the ESTABLISH message and enter the PSTN_path_state AN4.

PSTN_AN1_5

On receipt of the ESTABLISH message the IUT shall send the message ESTABLISH ACK and enter the PSTN_path_state AN5 (Path active).

PSTN_AN5_7

On receipt of a SIGNAL message containing a faulty sequence number the IUT PSTN protocol shall send a DISCONNECT message and enter the PSTN_path_state AN7.

4.3.2 Preconditions

The precondition step of a test group applies at the UP via the user interface as a Permanent Line (PL) condition. This line condition shall be permanent during all tests in that test group.

4.3.3 Preambles

The preamble test step group contains the test steps needed for initialization of the IUT before testing the particular test purpose. All combinations of the test steps defined in clause 4.3.1.2 to clause 4.3.1.5 can be used to create preambles. Each preamble shall start from the IUT initial state as defined in clause 5.1.5.

4.3.4 Postambles

After each ATC the IUT shall be brought back to the initial state as defined in clause 5.1.5. All combinations of the test steps defined in clauses 4.3.1.2 to 4.3.1.5 can be used to create postambles.

4.3.5 Status verification

4.3.5.1 PSTN protocol

Based on EN 300 324-1 [1], table 29, it is possible to identify the state of the IUT PSTN protocol FSM with valid PSTN messages.

On receipt of a STATUS ENQUIRY message the IUT shall send a STATUS message and remain the same state.

4.3.5.2 Port control protocol

CHECK_PC_DISCARD

Until time-out of timer T_NOAC no message shall appear on the V5.1 interface.

Afterwards teststep CTRL_PSTN_AN10_20 (refer to clause 4.3.1.3) or CTRL_ISDNBA_AN10_20 (refer to clause 4.3.1.4), depending on the affected port type is applied.

4.3.5.3 Common control protocol

CHECK_CC_DISCARD

Until time-out of timer T_NOAC no message shall appear on the V5.1 interface.

On receipt of a COMMON CONTROL message containing the control_function_id IE "request variant & interface ID" the IUT shall send a COMMON CONTROL ACK message and a COMMON CONTROL message containing the control_function_id IE "variant & interface ID".

Complete this teststep by sending a COMMON CONTROL ACK message.

4.3.6 Common test steps

This test step group shall contain procedures which are used in more than one ATC.

4.4 Defaults

The default section describes the behaviour in case of an unexpected test event.

4.5 Abstract Service Primitives (ASPs) and Protocol Data Units (PDUs)

4.5.1 ASPs

The format of the two used ASPs is defined as described in EN 300 324-1 [1], clause 13.4:

dl_data_req

dl_data_ind

The ASP shall transfer the V5DLaddr to the Data link Service Access Point (DSAP).

4.5.2 PDUs

4.5.2.1 Common control protocol

ctrl_common_control

ctrl_common_control_ack

4.5.2.2 Port control protocol

ctrl_port_control

ctrl_port_control_ack

4.5.2.3 PSTN protocol

- pstn_establish
- pstn_establish_ack
- pstn_signal
- pstn_signal_ack
- pstn_disconnect
- pstn_disconnect_complete
- pstn_status_enquiry
- pstn_status
- pstn_protocol_parameter

4.5.3 Information elements

4.5.3.1 Variable length information elements

4.5.3.1.1 Control protocol

- ctrl_control_function_element
- ctrl_control_function_id
- ctrl_variant
- ctrl_interface_id

4.5.3.1.2 PSTN protocol

- pstn_sequence_number
- pstn_cadenced_ringing
- pstn_pulsed_signal
- pstn_steady_signal
- pstn_digit_signal
- pstn_recognition_time
- pstn_enable_autonomous_ack
- pstn_disable_autonomous_ack
- pstn_cause
- pstn_resource_unavailable
- pstn_enable_metering
- pstn_metering_report
- pstn_attenuation

4.5.3.2 Single octet information elements

4.5.3.2.1 Control protocol

ctrl_performance_grading

ctrl_rejection_cause

4.5.3.2.2 PSTN protocol

pstn_pulse_notification

pstn_line_information

pstn_state

pstn_autonomous_signalling_sequence

pstn_sequence_response

4.6 Timers and counters of the Abstract Test Suite (ATS)

This clause describes the timers and counters used in the ATS. The **min** and **max** indications define if the timer value represents the minimum or maximum limit of a timer. The timer values contain some additional tolerances for delays caused by test simulators. Therefore, a bigger timer tolerance is given than defined in EN 300 324-1 [1]:

Minimum value of ATS timer = ETS timer - ETS tolerance

Maximum value of ATS timer = ETS timer + 2 x ETS tolerance

The repetition of messages by the IUT shall be tested in the following way: the message has to be repeated within the time period $T_{min} < T < T_{max}$. This testing procedure applies to the tests in the TI test group only.

NOTE: Maximum values of some ATS timers are defined as test suite parameters.

Timers used in the ATS are given in *Timer Declarations* part of the ATS.

Table 2 gives the identified protocol counters used in the ATS and the references to EN 300 324-1 [1].

Table 2: Protocol counter values and references to EN 300 324-1 [1]

ATS counter name	ATS counter value	Explanation	Reference to EN 300 324-1 [1]
N01	1	Allowed number of repetition of the PORT CONTROL message	clause 14, table 59
N02	1	Allowed number of repetition of the COMMON CONTROL message	clause 14, table 60
N1	1	Number of repetitions of the ESTABLISH message before starting T2	clause 13, table 28
N2	3	Maximum number of tested repetitions of the ESTABLISH message	clause 13, table 28
N3	2	Allowed number of repetitions of the DISCONNECT message	clause 13, table 28

5 Test Purposes (TPs)

5.1 Introduction

For each test requirement, a TP is defined.

This clause details the TPs for the AN side of NWK of the V5.1 interface for each test group and references to the corresponding ATCs.

At the beginning of each test subgroup the initial state (refer to clause 5.1.5), the preambles (refer to clause 4.3.3) and the postambles (refer to clause 4.3.4) are listed.

5.1.1 TP naming convention

The identifier of the TP is constructed according to the scheme in table 4.

Table 3: TP identifier naming convention scheme

Identifier: TP<t><c><g1><g2><tpt><s><ss><nn>				
<t>	=	type of protocol: (test group)	1	Control protocol
			2	PSTN protocol
<c>	=	category: (test subgroup)	1	IT, Basic Interconnection Tests
			2	CA, Capability Tests
			3	BV, Valid Behaviour Tests
			4	BO, Inopportune Behaviour Tests
			5	BI, Invalid Behaviour Tests
			6	TI, Timer Expiry and Counter Mismatch
<g1>	=	group level 1:	1	Common control
			2	Port control
			–	(underscore) not relevant
<g2>	=	group level 2:	1	Transport
			2	System management procedure Restart
			3	System management procedure Re-provisioning & Verification
			4	PSTN
			5	ISDN-BA
			–	(underscore) not relevant
<tpt>	=	test purpose type:	S	Single
			–	(underscore) not relevant
<s>	=	state:	(0-9)	
			M	Multiple state transition
			–	(underscore) not relevant
<ss>	=	substate:	(0-9)	
			–	(underscore) not relevant
<nn>	=	sequential number:	(01-99)	

5.1.2 Source of TP definition

The source for the TPs is based on EN 300 324-1 [1], clauses 13 and 14, and annex C.

5.1.3 Test strategy

To achieve a maximum of test coverage with an appropriate number of abstract test cases the following selection criteria have been applied:

- a) only the first up to the third value of the PSTN sequence number variables S(S), S(A), S(R), M(S), M(R) is covered;
- b) the error handling procedures of the Control and PSTN protocol are not exhaustively tested. Not all possible combinations of protocol errors in all protocol states are covered. The TPs cover only examples for each error handling procedure:
 - 1) for the PSTN protocol applications the error handling procedures are tested in PSTN_path_state AN1. To easily perform some of the test cases, some procedures are tested in PSTN_path_state AN5;
 - 2) for the Control protocol applications the error handling procedures are tested in state AN1 of the Common and Port control protocol. During these tests the PSTN and ISDN-BA user port FSMs stay in state AN1.0.

The procedure for unexpected events of the PSTN protocol is exhaustively tested (all unexpected events in all PSTN_path_states are covered).
- c) for several TPs some activities by the testing person are requested (invoking of certain procedures by the System Under Test (SUT)). These TPs are marked with (*);
- d) the Port control protocol, the Common control protocol (COM), the ISDN user port FSM and the PSTN user port FSM are not tested on a per-state basis. The TPs step through the FSMs by testing the procedures and supervising the behaviour of the IUT on the interface.

5.1.4 Requirements not covered by TPs

- a) it is not possible to explicitly verify the state of the COM, the Port control protocol, the ISDN-BA user port FSM and the PSTN user port FSM;
- b) the correct use and implementation of national dependent optional IEs within the PSTN protocol is not tested (refer to annex D of EN 300 324-1 [1]):
 - 1) the capability of the AN to send PSTN messages in all sequences required by the implemented national mapping;
 - 2) the capability of the AN to send PSTN messages containing all combinations of optional IEs required by the implemented national mapping;
- c) state transitions which are defined by the characters "/" or "-" are only tested if the events are V5-messages or timer expirations;
- d) as the system reaction on the time-out of system management timers is not specified, these time outs are not tested;
- e) generating of error indications is not tested;
- f) activation of the ISDN user port for the PL capability is only tested concerning those states and state transitions which have relevance to the V5.1 interface.

5.1.5 Initial state

The initial states of the various V5.1 protocols are defined as follows:

CTRL_COM_INIT Initial state to start the preamble of the CTRL_COM protocol TPs

AN1 (In Service), for COM

CTRL_PORT_INIT Initial state to start the preamble of the CTRL_PORT protocol TPs

AN1 (In Service), for Port control protocol

AN1.0 (Blocked), valid for both ISDN-BA and PSTN user port FSMs

PSTN_INIT Initial state to start the preamble of the PSTN TPs

AN6 (Port blocked), for PSTN protocol FSMs

5.1.6 Test and data configuration requirements

According to EN 300 324-2 [2], the IUT shall support either ISDN-BA ports or PSTN ports or both. For the aim of the conformance testing only one port of each supported type shall be provisioned.

Each user port shall be provisioned in a way that the IUT tries to enter the operational state for these user ports after system startup.

5.2 Control protocol

5.2.1 Basic interconnection tests (V5NWKAN/CTRL/IT)

Initial state of the IUT: power on

Preamble: reset IUT
Postamble: -

TP11__SM_01 Run the test step STARTUP_AN (clause 4.3.1.1).

5.2.2 Capability tests (V5NWKAN/CTRL/CA)

Refer to EN 300 324-1 [1], tables 59 and 60.

Initial state of the IUT: CTRL_COM_INIT, CTRL_PORT_INIT

Preamble: -
Postamble: -

TP12__S1_01 On receipt of a COMMON CONTROL message containing the control_function_id IE "variant & interface id", the IUT shall send a COMMON CONTROL ACK message containing the same control_function_id IE.

TP12__S1_02 On receipt of a PORT CONTROL message containing the control_function_element IE FE203 (block_cmd), the IUT shall send a PORT CONTROL ACK message containing the same control_function_element IE.

5.2.3 Valid behaviour tests (V5NWKAN/CTRL/BV)

5.2.3.1 V5NWKAN/CTRL/BV/COM

5.2.3.1.1 V5NWKAN/CTRL/BV/COM/TRANS

Refer to EN 300 324-1 [1], table 60 and figures L.12.1 to L.12.2.

Initial state of the IUT: CTRL_COM_INIT, CTRL_PORT_INIT

Preamble: CTRL_PSTN_AN20_10, CTRL_ISDNBA_AN20_10
Postamble: -

TP1311S1_01 Refer to TP12__S1_01 in clause 5.2.2.

TP1311S1_02 On receipt of a MDU-CTRL (request variant & interface id) the IUT shall send a COMMON CONTROL message containing the control_function_id IE "request variant & interface id".

(*)

On receipt of a COMMON CONTROL ACK message containing the control_function_id IE "request variant & interface id" the IUT shall not repeat the original message.

TP1311SM_03 Check that the IUT is able to control messages in both directions at the same time:

Preamble:

On receipt of a COMMON CONTROL message containing the control_function_id IE "request variant & interface ID" the IUT shall send a COMMON CONTROL ACK message.

On receipt of a MDU-CTRL (variant & interface ID) the IUT shall send a COMMON CONTROL message containing the control_function_id IE "variant & interface ID". On receipt of a COMMON CONTROL message containing the control_function_id IE "variant & interface id", the IUT shall send a COMMON CONTROL ACK message containing the same control_function_id IE. On receipt of a COMMON CONTROL ACK message containing the control_function_id IE "variant & interface ID", the IUT shall not repeat the original message.

5.2.3.1.2 V5NWKAN/CTRL/BV/COM/REST

Refer to EN 300 324-1 [1], table 60, annex C and figures L.17.1 to L.17.10.

As the COM is tested separately (refer to clause 5.2.3.1.1), the COMMON CONTROL ACK messages are not mentioned in the following TPs.

NOTE: This test group is only valid if PICS M2 is set to "Yes" (see EN 300 324-2 [2]).

Initial state of the IUT: CTRL_COM_INIT, CTRL_PORT_INIT

Preamble: -
Postamble: sending of a COMMON CONTROL message containing the control_function_id IE "restart complete".

TP1312SM_01 On receipt of a MDU_CTRL (restart_req) the IUT shall send a COMMON CONTROL message containing the control_function_id IE "restart req". The IUT shall send a COMMON CONTROL message containing the control_function_id IE "restart complete".

(*)

TP1312SM_02 On receipt of a COMMON CONTROL message containing the control_function_id IE "restart req" the IUT shall send a COMMON CONTROL message containing the control_function_id IE "restart complete".

5.2.3.1.3 V5NWKAN/CTRL/BV/COM/REVV

Refer to EN 300 324-1 [1], tables 64 and 66, annex C and figures L.17.1 to L.17.10.

As the COM is tested separately (refer to clause 5.2.3.1.1), the COMMON CONTROL ACK messages are not mentioned in the following TPs.

Initial state of the IUT: CTRL_COM_INIT, CTRL_PORT_INIT

Preamble: CTRL_PSTN_AN20_10, CTRL_ISDNBA_AN20_10
Postamble: -

- TP1313S0_01 (note 1) Refer to TP1311SM_03 in clause 5.2.3.1.1.
- TP1313S0_02 (note 1) On receipt of a COMMON CONTROL message containing the control_function_id IE "verify re-provisioning" and the current variant IE, the IUT shall send a COMMON CONTROL message containing the control_function_id IE "not ready for re-provisioning".
- TP1313S0_03 (note 2) On receipt of a COMMON CONTROL message containing the control_function_id IE "verify re-provisioning" and an unknown variant IE, the IUT shall send a COMMON CONTROL message containing the control_function_id IE "not ready for re-provisioning" and the rejection_cause IE "unknown variant".
- TP1313S0_04 (note 2) On receipt of a COMMON CONTROL message containing the control_function_id IE "switch-over to new variant" and an unknown variant IE the IUT shall send a COMMON CONTROL message containing the control_function_id IE "cannot re-provision" and the rejection_cause IE "unknown variant".
- TP1313S0_05 (note 2) On receipt of a COMMON CONTROL message containing the control_function_id IE "cannot re-provision" the IUT shall send a COMMON CONTROL ACK message, but no further event shall appear on the V5 interface.
- TP1313SM_06 (*) (note 2) On receipt of data_set_available the IUT shall send a COMMON CONTROL message containing the control_function_id IE "switch over to new variant" and the new variant IE.
On receipt of a COMMON CONTROL message containing the control_function_id IE "switch over to new variant" and the new variant IE the IUT shall send a COMMON CONTROL message containing the control_function_id IE "re-provisioning started" and the new variant- and interface_id IEs.
- TP1313SM_07 (*) (note 2) On receipt of a COMMON CONTROL message containing the control_function_id IE "request variant & interface id" the IUT shall send a COMMON CONTROL message containing the control_function_id IE "variant and interface id" and the current variant- and interface_id IEs.
On receipt of a COMMON CONTROL message containing the control_function_id IE "verify re-provisioning" and the new variant IE the IUT shall send a COMMON CONTROL message containing the control_function_id IE "ready for re-provisioning" and the new variant IE.
On receipt of a COMMON CONTROL message containing the control_function_id IE "switch-over to new variant" and the new variant IE the IUT shall send a COMMON CONTROL message containing the control_function_id IE "re-provisioning started" and the new variant IE.
- TP1313SM_08 (*) (note 2) On receipt of data_set_available the IUT shall send a COMMON CONTROL message containing the control_function_id IE "switch over to new variant" and the new variant IE.
On receipt of a COMMON CONTROL message containing the control_function_id IE "verify re-provisioning" and the current variant IE the IUT shall send a COMMON CONTROL message containing the control_function_id IE "not ready for re-provisioning".

- TP1313SM_09 (*)
(note 2)
- On receipt of data_set_available the IUT shall send a COMMON CONTROL message containing the control_function_id IE "switch over to new variant" and the new variant IE.
- On receipt of a COMMON CONTROL message containing the control_function_id IE "verify re-provisioning" and an unknown variant IE the IUT shall send a COMMON CONTROL message containing the control_function_id IE "not ready for re-provisioning".

NOTE 1: Applicable if PICS P5.2 is set to "Yes" (see EN 300 324-2 [2]).

NOTE 2: Applicable if PICS P5.2 and P5.3 are set to "Yes" (see EN 300 324-2 [2]).

5.2.3.2 V5NWKAN/CTRL/BV/PORT

5.2.3.2.1 V5NWKAN/CTRL/BV/PORT/TRANS

Refer to EN 300 324-1 [1], table 59 and figures L.11.1 to L.11.2.

All the PORT CONTROL TRANS protocol TPs are tested separately.

Initial state of the IUT: CTRL_COM_INIT, CTRL_PORT_INIT

Preamble: -
Postamble: -

- TP1321S2_01 Refer to TP12__S1_02 in clause 5.2.2.
- TP1321S2_02 (*)
On receipt of a PORT CONTROL ACK containing the control_function_element IE FE204 (block_cmd) after sending a PORT CONTROL message containing the control_function_element IE FE204 (block_cmd), the IUT shall not repeat the original message.
- TP1321SM_03 (*)
Check that the IUT is able to control messages in both directions at the same time:
On receipt of a FE204 (block_cmd) the IUT shall send a PORT CONTROL message containing the control_function_element IE FE204 (block_cmd). On receipt of a PORT CONTROL message containing the control_function_element IE FE203 (block_cmd), the IUT shall send a PORT CONTROL ACK message containing the same control_function_element IE. On receipt of a PORT CONTROL ACK message containing the control_function_element IE FE204 (block_cmd), the IUT shall not repeat the original message.

5.2.3.2.2 V5NWKAN/CTRL/BV/PORT/PSTN

Refer to EN 300 324-1 [1], table 40 and figures L.15.1 to L.15.3.

As the Port control protocol is tested separately (refer to clause 5.2.3.2.1), the PORT CONTROL ACK messages are not mentioned in the following TPs.

NOTE: This test group is only valid if PICS M2 is set to "Yes" (see EN 300 324-2 [2]).

Initial state of the IUT: CTRL_COM_INIT, CTRL_PORT_INIT

Preamble: CTRL_PSTN_AN20_10
Postamble: CTRL_PSTN_AN20_10

- TP1324S1001 (*)
On receipt of a MPH-BR (block_req) message the IUT shall remain in the PSTN_path_state AN6.
- On receipt of a message containing the control_function_element IE FE203 (block_cmd) the IUT PSTN protocol FSM remains in the PSTN_path_state AN6.

- TP1324S1002
(*) Verify "Local blocking " procedure:
On receipt of a MPH-BI (block_cmd) the IUT shall send a message containing the control_function_element IE FE204 (block_cmd) and the IUT PSTN protocol FSM shall remain in the PSTN_path_state AN6.
- TP1324SM_03
(*) Verify "Local Unblocking/Blocking" procedure in different states:
On receipt of a MPH-UBR (unblock_req) the IUT shall send a message containing the control_function_element IE FE202 (unblock_req).
On receipt of a message containing the control_function_element IE FE201 (unblock_ack) the IUT PSTN protocol FSM shall enter PSTN_path_state AN1.
On receipt of a MPH-UBR (unblock_req) the IUT shall send a message containing the control_function_element IE FE202 (unblock_req) the IUT PSTN protocol FSM shall remain PSTN_path_state AN1.
On receipt of a MPH-BI (block_cmd) the IUT shall send a message containing the control_function_element IE FE204 (block_cmd) and the IUT PSTN protocol FSM shall enter PSTN_path_state AN6.
- TP1324SM_04 Verify "Remote Unblocking/Blocking" procedure in different states:
On receipt of a message containing the control_function_element IE FE201 (unblock_req) the IUT shall send a message containing the control_function_element IE FE202 (unblock_ack) and the IUT PSTN protocol FSM shall enter PSTN_path_state AN1.
On receipt of a message containing the control_function_element IE FE201 (unblock_req) the IUT shall send a message containing the control_function_element IE FE202 (unblock_ack) and the IUT PSTN protocol FSM shall remain PSTN_path_state AN1.
On receipt of a message containing the control_function_element IE FE203 (block_cmd) the IUT PSTN protocol FSM shall enter PSTN_path_state AN6.
- TP1324SM_05
(*) Verify "Rejected Unblocking" procedure:
On receipt of a MPH-UBR (unblock_req) the IUT shall send a message containing the control_function_element IE FE202 (unblock_req).
On receipt of a message containing the control_function_element IE FE203 (block_cmd) the IUT PSTN protocol FSM shall remain PSTN_path_state AN6.
- TP1324SM_06
(*) Verify "Cancelled Unblocking" procedure:
On receipt of a MPH-UBR (unblock_req) the IUT shall send a message containing the control_function_element IE FE202 (unblock_req).
On receipt of a MPH-BI (block_cmd) the IUT shall send a message containing the control_function_element IE FE204 (block_cmd) and the IUT PSTN protocol FSM shall remain PSTN_path_state AN6.

- TP1324SM_07 (*) Verify "Repeated local unblocking":
- On receipt of a MPH-UBR (unblock_req) the IUT shall send a message containing the control_function_element IE FE202 (unblock_req).
 - On receipt of a MPH-UBR (unblock_req) a second time the IUT shall repeat the message containing the control_function_element IE FE202 (unblock_req).
 - On receipt of a message containing the control_function_element IE FE201 (unblock_ack) the IUT PSTN protocol FSM shall enter PSTN_path_state AN1.
 - On receipt of a MPH-UBR (unblock_req) the IUT shall send a message containing the control_function_element IE FE202 (unblock_req) the IUT PSTN protocol FSM shall remain PSTN_path_state AN1.
 - On receipt of a MPH-BI (block_cmd) the IUT shall send a message containing the control_function_element IE FE204 (block_cmd) and the IUT PSTN protocol FSM shall enter PSTN_path_state AN6.

5.2.3.2.3 V5NWKAN/CTRL/BV/PORT/ISDNBA

Refer to EN 300 324-1 [1], table 35 and figures L.14.1 to L.14.8.

As the Port control protocol is tested separately (refer to clause 5.2.3.2.1), the PORT CONTROL ACK messages are not mentioned in the following TPs.

NOTE 1: This test group is only valid if PICS M1 is set to "Yes" (see EN 300 324-2 [2]).

Initial state of the IUT: CTRL_COM_INIT, CTRL_PORT_INIT

Preamble: CTRL_ISDNBA_AN20_10
Postamble: CTRL_ISDNBA_AN20_10

- TP1325SM_01 (*) Verify the AN "Local blocking/unblocking".
- On receipt of a message containing the control_function_element IE FE201 (unblock_req) the IUT shall send a message containing the control_function_element IE FE202 (unblock_ack) and the IUT ISDN-BA user port FSM shall enter state "Operational deactivated", AN2.0.
 - On receipt of a message containing the control_function_element IE FE105 (deactivate_access_req) the IUT shall send a message containing the control_function_element IE FE106 (access_deactivated).
 - On receipt of a message containing the control_function_element IE FE201 (unblock_req) the IUT shall send a message containing the control_function_element IE FE202 (unblock_ack).
 - On receipt of a local block_req (MPH-BR) the IUT shall send a message containing the control_function_element IE FE205 (block_req).
 - On receipt of a message containing the control_function_element IE FE203 (block_cmd) and the IUT ISDN-BA user port FSM shall return back to the state "Blocked", AN1.0.

- TP1325SM_02
(*) Verify the AN "Cancelled unblocking".
- On receipt of a message containing the control_function_element IE FE201 (unlock_req) the IUT shall send a message containing the control_function_element IE FE202 (unlock_ack) and the IUT ISDN-BA user port FSM shall enter state "Operational deactivated", AN2.0.
- On receipt of a local unlock_req (MPH-UBR) the IUT shall send a message containing the control_function_element IE FE202 (unlock_req).
- On receipt of a local block_req (MPH-BR) the IUT shall send a message containing the control_function_element IE FE205 (block_req).
- On receipt of a local block_cmd (MPH-BI) the IUT shall send a message containing the control_function_element IE FE204 (block_cmd) and the IUT ISDN-BA user port FSM shall return to the state "Blocked", AN1.0.
- TP1325SM_03
(*) Verification of events in state AN1.0, "Local unblock".
- On receipt of a local unlock_req (MPH-UBR) the IUT shall send a message containing the control_function_element IE FE202 (unlock_req).
- On receipt of a local unlock_req (MPH-UBR) the second time, the IUT shall send a message containing the control_function_element IE FE202 (unlock_req) once more.
- On receipt of a local block_cmd (MPH-BI) the IUT shall send a message containing the control_function_element IE FE204 (block_cmd) and the IUT ISDN-BA user port FSM shall enter the state "Blocked", AN1.0.
- TP1325SM_04
(*) Verify AN user interface initiated activation by a Terminal Equipment (TE).
- On receipt of a message containing the control_function_element IE FE201 (unlock_req) the IUT shall send a message containing the control_function_element IE FE202 (unlock_ack) and the IUT ISDN-BA user port FSM shall enter state "Operational deactivated", AN2.0.
- On "Off hook" (event FE2) generated by an ISDN-BA TE connected to an interface in state "Operational deactivated", the AN shall generate a message containing the control_function_element IE FE102 (activation_initiated_by_user_ind).
- On fully activated user interface (event FE4) the IUT shall send a message containing the control_function_element IE FE104 (access_activated_ind).
- TP1325SM_05
(*) Verify activation initiated by the network (LT1)
- On receipt of a message containing the control_function_element IE FE201 (unlock_req) the IUT shall send a message containing the control_function_element IE FE202 (unlock_ack) and the IUT ISDN-BA user port FSM shall enter state "Operational deactivated", AN2.0.
- On receipt of a message containing the control_function_element IE FE101 (activate_access_req (terminating call)) the IUT shall activate the UNI within time T1 (see ETS 300 297 [3]) and send a message containing the control_function_element IE FE104 (access_activated_ind).
- On receipt of the same message containing the control_function_element IE FE101 (activate_access_req (terminating call)) the IUT shall send a message containing the control_function_element IE FE104 (access_activated_ind).
- On receipt of the a message containing the control_function_element IE FE105 (deactivate_access_req (end of last call)) the IUT shall send a message containing the control_function_element IE FE106 (access_deactivated_ind).
- The ISDN-BA User Port FSM returns to the "Operational deactivated" state.

- TP1325SM_06
(*)
Verify blocking/unblocking request on activated access.
- On receipt of a message containing the control_function_element IE FE201 (unlock_req), the IUT shall send a message containing the control_function_element IE FE202 (unlock_ack) and the IUT ISDN-BA user port FSM shall enter state "Operational deactivated", AN2.0.
- On receipt of a message containing the control_function_element IE FE101 (activate_access_req (terminating call)); the IUT shall activate the UNI within time T1 (see ETS 300 297 [3]) and send a message containing the control_function_element IE FE104 (access_activated_ind).
- On receipt of a local block_req (MPH-BR) the IUT shall send a message containing the control_function_element IE FE205 (block_req).
- On receipt of a local block_cmd (layer 1 failure) (MPH-BI) the IUT shall send a message containing the control_function_element IE FE204 (block_cmd) and the IUT ISDN-BA user port FSM shall remain the state "Blocked", AN1.0.
- TP1325S2207
(*)
On receipt of grading in the AN_ISDN-BA_user_port the IUT shall send a FE206_grading. The IUT shall remain the port state AN2.2 (Access activated).
- TP1325S2208
(*)
On receipt of a FE207 (D-channel_block), the IUT shall remain the port state AN2.2 (Access activated).
- TP1325S2209
(*)
On receipt of a FE208 (D-channel_unlock) the IUT shall remain the port state AN2.2 (Access activated).
- TP1325SM_10
(*)
(note 2)
Verify "PL take over by AN":
- Preamble the user port into state AN3.1 (PL activation initiated).
- The system management shall bring the IUT from state AN3.1 to AN3.2 automatically as defined in EN 300 324 [1] clause 14.1.3.3.5.2.
- On receipt of a deactivate_req (MPH-DR) the IUT shall send a message containing the control_function_element IE FE204 (block_cmd) and the IUT ISDN-BA user port FSM shall enter the state "Blocked", AN1.0.
- TP1325SM_11
(*)
(note 2)
Verify "PL take over by LE":
- Preamble the user port into state AN3.1 (PL activation initiated).
- The system management shall bring the IUT from state AN3.1 to AN3.2 automatically as defined in EN 300 324 [1] clause 14.1.3.3.5.2.
- On receipt of a message containing the control_function_element IE FE201 (unlock_req) the IUT shall send a message containing the control_function_element IE FE104 (access_activated_ind).

NOTE 2: Applicable if PICS M7 is set to "Yes" (see EN 300 324-2 [2]).

5.2.4 Inopportune behaviour tests (V5NWKAN/CTRL/BO)

Refer to EN 300 324-1 [1], clause 14.4.4.2.

5.2.4.1 V5NWKAN/CTRL/BO/COM

5.2.4.1.1 V5NWKAN/CTRL/BO/COM/TRANS

Refer to EN 300 324-1 [1], table 60.

Initial state of the IUT: CTRL_COM_INIT, CTRL_PORT_INIT

Preamble: -
Postamble: -

TP1411S1_01 On receipt of a COMMON CONTROL ACK message the IUT shall ignore the message.

5.2.4.1.2 V5NWKAN/CTRL/BO/COM/REVV

Refer to EN 300 324-1 [1], table 66.

NOTE: This test group is only valid if PICS P5.3 is set to "Yes" (see EN 300 324-2 [2]).

Initial state of the IUT: CTRL_COM_INIT, CTRL_PORT_INIT

Preamble: CTRL_PSTN_AN20_10, CTRL_ISDNBA_AN20_10
Postamble: -

TP1413S0_01 On receipt of a COMMON CONTROL message containing the control_function_id IE "switch-over to new variant" and the current variant IE the IUT shall send a COMMON CONTROL ACK message, but no further event shall appear on the V5 interface.

TP1413S0_02 On receipt of a COMMON CONTROL message containing the control_function_id IE "reprovisioning started" the IUT shall send a COMMON CONTROL ACK message, but no further event shall appear on the V5 interface.

5.2.4.2 V5NWKAN/CTRL/BO/PORT

5.2.4.2.1 V5NWKAN/CTRL/BO/PORT/TRANS

Refer to EN 300 324-1 [1], table 59.

Initial state of the IUT: CTRL_COM_INIT, CTRL_PORT_INIT

Preamble: CTRL_PSTN_AN20_10, CTRL_ISDNBA_AN20_10
Postamble: -

TP1421S1_01 On receipt of a PORT CONTROL ACK message the IUT shall ignore the message.

5.2.4.2.2 V5NWKAN/CTRL/BO/PORT/PSTN

Refer to EN 300 324-1 [1], table 40 and figures L.15.1 to L.15.3.

As the Port control protocol is tested separately (refer to clause 5.2.3.2.1), the PORT CONTROL ACK messages are not mentioned in the following TPs.

NOTE: This test group is only valid if PICS M1 is set to "Yes" (see EN 300 324-2 [2]).

Initial state of the IUT: CTRL_COM_INIT, CTRL_PORT_INIT

Preamble: CTRL_PSTN_AN20_10
Postamble: CTRL_PSTN_AN20_10

TP1424S1101 Preamble into state AN1.1 (local unblock)

(*)

On receipt of a MPH-BR (block_req) message when the AN already requested MPH-UBR (unblock_req) is co-ordinated in the system management of AN as an answer on the sent message FE202 (unblock req) to LE.

5.2.4.2.3 V5NWKAN/CTRL/BO/PORT/ISDNBA

Refer to EN 300 324-1 [1], table 35 and figures L.14.1 to L.14.8.

As the Port control protocol is tested separately (refer to clause 5.2.3.2.1), the PORT CONTROL ACK messages are not mentioned in the following TPs.

NOTE: This test group is only valid if PICS M1 is set to "Yes" (see EN 300 324-2 [2]).

Initial state of the IUT: CTRL_COM_INIT, CTRL_PORT_INIT

Preamble: CTRL_ISDNBA_AN20_10
Postamble: CTRL_ISDNBA_AN20_10

TP1425SM_01 On receipt of service grading (MPH-GI) the IUT shall send no message in the blocked state.

(*)

TP1425SM_02 On receipt of a FE207 (D-channel_block), the IUT shall remain in the port state AN1.0 (Blocked).

On receipt of a FE208 (D-channel_unblock), the IUT shall remain in the port state AN1.0 (Blocked).

5.2.5 Invalid behaviour tests (V5NWKAN/CTRL/BI)

Refer to EN 300 324-1 [1], clause 14.4.4.2.

5.2.5.1 V5NWKAN/CTRL/BI/COM

5.2.5.1.1 V5NWKAN/CTRL/BI/COM/TRANS

Initial state of the IUT: CTRL_COM_INIT

Preamble: CTRL_PSTN_AN20_10, CTRL_ISDNBA_AN20_10
 Postamble: -

- | | |
|--------------|--|
| TP1511S1_01 | Check that the IUT discards messages having less than 4 octets. |
| TP1511S1_02 | (protocol discriminator error)
Check that the IUT discards a message containing an unspecified protocol_discriminator IE. |
| TP1511S1_03 | (L3 addr error)
Check that the IUT discards a message containing an unspecified L3addr IE. |
| TP1511S1_04 | (message type error)
Check that the IUT discards a message containing an unspecified message_type IE. |
| TP1511S1_05 | (repeated optional IE)
Check that the IUT sends an ACK message after receipt of a message containing the control_function_id IE "Request variant & interface id" and two repeated interface_id IEs. |
| TP1511S1_06 | (repeated mandatory IE)
Check that the IUT discards a message containing two repeated control_function_id IE. |
| TP1511S1_06b | (repeated conditional IE)
Check that the IUT discards a message containing the control_function_id IE "Variant & interface id" and two repeated interface_id IEs. |
| TP1511S1_07 | (mandatory IE missing)
Check that the IUT discards a message containing no control_function_id IE. |
| TP1511S1_07b | (conditional IE missing)
Check that the IUT discards a message containing the control_function_id IE "Variant & interface id" and no interface_id IE. |
| TP1511S1_08 | (unrecognized IE)
Check that the IUT sends an ACK message after receipt of a message containing the control_function_id IE "variant & interface id" and an unspecified IE. |
| TP1511S1_09 | (content error of mandatory IE)
Check that the IUT discards a message containing an incorrect control_function_id IE. |
| TP1511S1_09b | (content error of conditional IE)
Check that the IUT discards a message containing the control_function_id IE "Variant & interface id" and an incorrect Variant IE. |

- TP1511S1_10 Check that the IUT sends an ACK message after receipt of a message containing the control_function_id IE "Request variant & interface id" and an optional interface_id IE whose length element has an incorrect value.
- TP1511S1_12 Check that the IUT discards a message containing the control_function_id "variant & interface id" and no interface_id IE.

5.2.5.2 V5NWKAN/CTRL/BI/PORT

5.2.5.2.1 V5NWKAN/CTRL/BI/PORT/TRANS

Initial state of the IUT: CTRL_COM_INIT, CTRL_PORT_INIT

Preamble: -
Postamble: -

- TP1521S1_01 Refer to TP1511S1_01 in clause 5.2.5.1.1.
- TP1521S1_02 (protocol discriminator error)
Check that the IUT discards a message containing an unspecified protocol_discriminator IE.
- TP1521S1_03 (L3 addr error)
Check that the IUT discards a message containing an unprovisioned L3addr IE.
- TP1521S1_04 (message type error)
Check that the IUT discards a message containing an unspecified message_type IE.
- TP1521S1_06 (repeated mandatory IE)
Check that the IUT discards a message containing two repeated control_function_element IEs.
- TP1521S1_07 (mandatory IE missing)
Check that the IUT discards a message containing no control_function_element IE.
- TP1521S1_08 (unrecognized IE)
Check that the IUT sends an ACK message after receipt of a message containing the control_function_element IE FE204 and an additional unspecified optional IE.
- TP1521S1_09 (content error of mandatory IE)
Check that the IUT discards a message containing an incorrect control_function_element IE.

5.2.6 Timer expiry and counter mismatch tests (V5NWKAN/CTRL/TI)

5.2.6.1 V5NWKAN/CTRL/TI/COM

5.2.6.1.1 V5NWKAN/CTRL/TI/COM/TRANS

Refer to EN 300 324-1 [1], tables 58 and 60, figures L.12.1 to L.12.2.

Initial state of the IUT: CTRL_COM_INIT, CTRL_PORT_INIT

Preamble: -
Postamble: -

TP1611S2_01 Preamble:
On receipt of a COMMON CONTROL message containing the control_function_id IE "request variant & interface ID" the IUT shall send a COMMON CONTROL ACK message containing the same control_function_id IE.

On receipt of a MDU-CTRL (variant & interface ID) the IUT shall send a COMMON CONTROL message containing the control_function_id IE "variant & interface ID". On time-out of timer T02 the IUT shall repeat sending the COMMON CONTROL message N02 times.

TP1611S2_02 Preamble:
On receipt of a COMMON CONTROL message containing the control_function_id IE "request variant & interface ID" the IUT shall send a COMMON CONTROL ACK message containing the same control_function_id IE.

On receipt of a MDU-CTRL (variant & interface ID) the IUT shall send a COMMON CONTROL message containing the control_function_id IE "variant & interface ID". On receipt of a COMMON CONTROL ACK message containing not the same control_function_id IE the IUT shall ignore the message.

On time-out of timer T02 the IUT shall repeat sending the COMMON CONTROL message.

5.2.6.2 V5NWKAN/CTRL/TI/PORT

5.2.6.2.1 V5NWKAN/CTRL/TI/PORT/TRANS

Refer to EN 300 324-1 [1], tables 58 and 59, and figures L.11.1 to L.11.2.

Initial state of the IUT: CTRL_COM_INIT, CTRL_PORT_INIT

Preamble: CTRL_PSTN_LE20_10, CTRL_ISDNBA_LE20_10
Postamble: -

TP1621S2_01 Preamble:
On receipt of a PORT CONTROL message containing the control_function_element IE FE201 (unlock_req) the IUT shall send a PORT CONTROL ACK message containing the same control_function_element IE.

On receipt of a MPH_UBR (unlock_ack) the IUT shall send a PORT CONTROL message containing the control_function_element IE FE202 (unlock_ack). On time-out of timer T01 the IUT shall repeat sending the PORT CONTROL message N01 times.

TP1621S2_02 Preamble:
On receipt of a PORT CONTROL message containing the control_function_element IE FE201 (unlock_req) the IUT shall send a PORT CONTROL ACK message containing the same control_function_element IE.

On receipt of a MPH_UBR (unlock_ack) the IUT shall send a PORT CONTROL message containing the control_function_element IE FE202 (unlock_ack). On receipt of a PORT CONTROL ACK message containing not the same control_function_element IE the IUT shall ignore the message. On time-out of timer T01 the IUT shall repeat sending the PORT CONTROL message N01 times.

5.3 PSTN protocol

The preamble of any test always begins before with PSTN port blocking followed by PSTN port unblocking to be sure that delayed or outstanding messages are discarded.

NOTE: This test group is only valid if PICS M2 is set to "Yes" (see EN 300 324-2 [2]).

5.3.1 Basic interconnection tests (V5NWKAN/PSTN/IT)

Refer to EN 300 324-1 [1], table 29 and figures L.9.1 to L.9.11.

All messages sent by LT1 have to be valid PSTN messages.

Initial state of the IUT: CTRL_COM_INIT, CTRL_PORT_INIT, PSTN_INIT

Preamble: PSTN_ANx_6 & PSTN_AN6_1
Postamble: PSTN_ANx_6

TP21__S1_01 On receipt of a STATUS ENQUIRY message the IUT shall send a STATUS message.

5.3.2 Capability tests (V5NWKAN/PSTN/CA)

Refer to EN 300 324-1 [1], table 29 and figures L.9.1 to L.9.11.

This test group is only valid if PSTN application is provisioned.

All messages sent by LT1 have to be valid PSTN messages.

Initial state of the IUT: CTRL_COM_INIT, CTRL_PORT_INIT, PSTN_INIT

Preamble: PSTN_ANx_6 & PSTN_AN6_1
Postamble: PSTN_ANx_6

- TP22__SM_01 (*) On receipt of an originating call attempt (FE-subscriber_seizure) the IUT shall send the message ESTABLISH.
- TP22__SM_02 On receipt of the ESTABLISH message the IUT shall send the message ESTABLISH ACK. On receipt of a DISCONNECT message the IUT shall send a DISCONNECT COMPLETE message.

5.3.3 Valid behaviour tests (V5NWKAN/PSTN/BV)

Refer to EN 300 324-1 [1], table 29 and figures L.9.1 to L.9.11.

All messages sent by LT1 and IUT have to be valid PSTN messages.

5.3.3.1 V5NWKAN/PSTN/BV/0

Initial state of the IUT: CTRL_COM_INIT, CTRL_PORT_INIT, PSTN_INIT

Preamble: PSTN_ANx_6 & PSTN_AN6_1 & AN1_0
Postamble: PSTN_ANx_6

- TP23__S0_01 On receipt of a STATUS ENQUIRY message the IUT shall send a STATUS message containing the cause_type "response to status enquiry" and the state AN0 and remain in the PSTN_path_state AN0 (Out of Service).
- TP23__S0_02 On receipt of a PORT CONTROL message containing the control_function_element IE FE203 (block_cmd) (the PSTN protocol entity receives the MDU-CTRL port_blocked) the IUT shall enter the PSTN_path_state AN6 (Port blocked).
- TP23__S0_03 On receipt of a COMMON CONTROL message containing the control_function_id IE "restart req" (the PSTN protocol entity receives the MDU-CTRL restart_request) the IUT shall-remain in the PSTN_path_state AN0 (Out of Service).
On receipt of a COMMON CONTROL message containing the control_function_id IE "restart complete" (MDU-CTRL restart_complete) the IUT shall enter the PSTN_path_state AN1 (Null) and check for the line condition.
- TP23__S0_04 (*) On receipt of the event FE-subscriber_seizure, the IUT shall remain in the PSTN_path_state AN0 (Out of Service).
- TP23__S0_05 (*) On receipt of the event FE-line_information, the shall remain in the PSTN_path_state AN0 (Out of Service).
- TP23__S0_06 (*) On receipt of the event FE-subscriber_release, the IUT shall remain in the PSTN_path_state AN0 (Out of Service).
- TP23__S0_07 (*) On receipt of the event FE-line_signal, the IUT shall remain in the PSTN_path_state AN0 (Out of Service). Verify no messages on the V5 interface.

TP23__S0_08 On receipt of an DISCONNECT COMPLETE message the IUT shall remain in the
(before PSTN_path_state AN0 (Out of service).
TP24__S0_05)(*)

5.3.3.2 V5NWKAN/PSTN/BV/1

Initial state of the IUT: CTRL_COM_INIT, CTRL_PORT_INIT, PSTN_INIT

Preamble: PSTN_ANx_6 & PSTN_AN6_1
Postamble: PSTN_ANx_6

TP23__S1_01 On receipt of a STATUS ENQUIRY message the IUT shall send a STATUS message containing the cause_type "response to status enquiry" and the state AN1 and remain in the PSTN_path_state AN1 (Null).

TP23__S1_02 On receipt of an originating call attempt (FE-subscriber_seizure) the IUT shall send the message ESTABLISH and enter the PSTN_path_state AN2 (Path initiated by AN).
(*)

TP23__S1_03 On receipt of the ESTABLISH message the IUT shall send the message ESTABLISH ACK and enter the PSTN_path_state AN5 (Path active).

TP23__S1_04 On receipt of a PORT CONTROL message containing the control_function_element IE FE203 (block_cmd) (the PSTN protocol entity receives the MDU-CTRL port_blocked) the IUT shall enter the PSTN_path_state AN6 (Port blocked).

The IUT shall stop all timers and no more messages shall be received from the user port.

TP23__S1_05 On receipt of a COMMON CONTROL message containing the control_function_id IE "restart req" (the PSTN protocol entity receives the MDU-CTRL restart_request) a COMMON CONTROL message containing the control_function_id IE "restart_complete" and enter in the PSTN_path_state AN0 (Out of Service).

On receipt of a COMMON CONTROL message containing the control_function_id IE "restart complete" (MDU-CTRL restart_complete) the IUT shall enter the PSTN_path_state AN1 (Null) and check for the line condition.

TP23__S1_06 On receipt of DISCONNECT message the IUT shall send the message DISCONNECT COMPLETE and remain the same PSTN_path_state AN1 (Null).

TP23__S1_07 On receipt of the event FE-line_information, the IUT shall send the ESTABLISH message and enter the PSTN_path_state AN4 (Line information).
(*)

TP23__S1_08 On receipt of the event FE-line_signal, the IUT shall remain in the PSTN_path_state AN1 (Null).
(*)

Verify no messages on the V5 interface.

TP23__S1_09 On receipt of the event FE-subscriber_release, the IUT shall remain in the PSTN_path_state AN1 (Null).
(*)

Verify no messages on the V5 interface.

TP23__S1_10 On receipt of DISCONNECT COMPLETE message the IUT shall remain in the PSTN_path_state AN1 (Null).

TP23__S1_11 On receipt of a PORT CONTROL message containing the control_function_element IE FE201 (unblock_req) (the PSTN protocol entity receives the MDU-CTRL port_unblocked) the IUT shall remain in the PSTN_path_state AN1 (Null).

5.3.3.3 V5NWKAN/PSTN/BV/2

Initial state of the IUT: CTRL_COM_INIT, CTRL_PORT_INIT, PSTN_INIT

Precondition: PSTN_AN1_2

Preamble: PSTN_ANx_6 & PSTN_AN6_1

Postamble: PSTN_ANx_6

TP23__S2_01 (*) On receipt of an ESTABLISH message, the IUT shall send an ESTABLISH ACK message and enter the PSTN_path_state AN5 (Path active) (if terminating calls have priority).

The IUT shall stop timer T1/T2 and not repeat the message ESTABLISH.

TP23__S2_02 (*) On receipt of an ESTABLISH message, the IUT shall remain in the PSTN_path_state AN2 (Path initiated by AN) (if originating calls have priority).

TP23__S2_03 (*) On receipt of a FE-subscriber_release, the IUT shall enter the PSTN_path_state AN3 (Path abort request).

TP23__S2_04 (*) On receipt of the ESTABLISH ACK message the IUT shall enter the PSTN_path_state AN5 (Path active).

The IUT shall stop timer T1/T2 and not repeat the message ESTABLISH.

TP23__S2_05 (*) On receipt of a DISCONNECT message, the IUT shall send a DISCONNECT COMPLETE message and enter the PSTN_path_state AN1 (Null).

Since the subscriber seizure condition is still present, the IUT shall send an ESTABLISH message and enter the PSTN_path_state AN2.

TP23__S2_06 (*) On receipt of a DISCONNECT COMPLETE message, the IUT shall enter the PSTN_path_state AN1 (Null).

Since the subscriber seizure condition is still present, the IUT shall send an ESTABLISH message and enter the PSTN_path_state AN2.

TP23__S2_07 (*) On receipt of a STATUS ENQUIRY message the IUT shall send a STATUS message containing the cause_type "response to status enquiry" and the state AN2 and remain in the PSTN_path_state AN2 (Path initiated by AN).

TP23__S2_08 (*) On receipt of a COMMON CONTROL message containing the control_function_id IE "restart req", the IUT shall send a DISCONNECT COMPLETE message and a COMMON CONTROL message containing the control_function_id IE "restart complete". The IUT shall enter the PSTN_path_state AN0 (Out of Service).

On receipt of a COMMON CONTROL message containing the control_function_id IE "restart complete" (MDU-CTRL restart_complete) the IUT shall enter the PSTN_path_state AN1 (Null) and check for the line condition.

Since the subscriber seizure condition is still present, the IUT shall send an ESTABLISH message and enter the PSTN_path_state AN2.

TP23__S2_09 (*) On receipt of a PORT CONTROL message containing the control_function_element IE FE203 (block_cmd) (the PSTN protocol entity receives the MDU-CTRL port_blocked) the IUT shall send a DISCONNECT COMPLETE message and enter the PSTN_path_state AN6 (Port blocked).

The IUT shall stop all timers and no more messages shall be received from the user port.

- TP23__S2_10 (*) On receipt of the event FE-line_signal, the IUT shall remain in the PSTN_path_state AN2 (Path initiated by AN).
- TP23__S2_11 (*) On receipt of a PORT CONTROL message containing the control_function_element IE FE201 (unlock_req) (the PSTN protocol entity receives the MDU-CTRL port_unblocked) the IUT shall remain in the PSTN_path_state AN2 (Path initiated by AN).

5.3.3.4 V5NWKAN/PSTN/BV/3

Initial state of the IUT: CTRL_COM_INIT, CTRL_PORT_INIT, PSTN_INIT

Precondition: PSTN_AN1_2 & PSTN_AN2_3

Preamble: PSTN_ANx_6 & PSTN_AN6_1
Postamble: PSTN_ANx_6

- TP23__S3_01 (*) On receipt of an ESTABLISH ACK message, the IUT shall send a DISCONNECT message and enter the PSTN_path_state AN7 (Disconnect request).
The IUT shall stop timer T1/T2 and not repeat the message ESTABLISH.
- TP23__S3_02 (*) On receipt of a FE-subscriber_seizure, the IUT shall enter the PSTN_path_state AN2 (Path initiated by AN).
- TP23__S3_03 (*) On receipt of an ESTABLISH message, the IUT shall send an ESTABLISH ACK message and enter the PSTN_path_state AN5 (Path active) (if terminating calls have priority).
The IUT shall stop timer T1/T2 and not repeat the message ESTABLISH.
- TP23__S3_04 (*) On receipt of an ESTABLISH message, the IUT shall remain in the PSTN_path_state AN2 (Path initiated by AN) (if originating calls have priority).
- TP23__S3_05 (*) On receipt of a DISCONNECT message, the IUT shall send a DISCONNECT COMPLETE message and enter the PSTN_path_state AN1 (Null).
- TP23__S3_06 (*) On receipt of a DISCONNECT COMPLETE message, the IUT shall enter the PSTN_path_state AN1 (Null).
- TP23__S3_07 (*) On receipt of a STATUS ENQUIRY message the IUT shall send a STATUS message containing the cause_type "response to status enquiry" and the state AN3 and remain in the PSTN_path_state AN3 (Path abort request).
- TP23__S3_08 (*) On receipt of a COMMON CONTROL message containing the control_function_id IE "restart req", the IUT shall send a DISCONNECT COMPLETE message and a COMMON CONTROL message containing the control_function_id IE "restart complete". The IUT shall enter the PSTN_path_state AN0 (Out of Service).
On receipt of a COMMON CONTROL message containing the control_function_id IE "restart complete" (MDU-CTRL restart_complete) the IUT shall enter the PSTN_path_state AN1 (Null).
- TP23__S3_09 (*) On receipt of a PORT CONTROL message containing the control_function_element IE FE203 (block_cmd) (the PSTN protocol entity receives the MDU-CTRL port_blocked) the IUT shall send a DISCONNECT COMPLETE message and enter the PSTN_path_state AN6 (Port blocked).
The IUT shall stop all timers and no more messages shall be received from the user port.

TP23__S3_10 (*) On receipt of the event FE-line_signal, the IUT shall remain in the PSTN_path_state AN3 (Path abort request).

Check that no further event occurs on the V5 interface.

TP23__S3_11 On receipt of a PORT CONTROL message containing the control_function_element IE FE201 (unblock_req) (the PSTN protocol entity receives the MDU-CTRL port_unblocked) the IUT shall remain in the PSTN_path_state AN3 (Path abort request).

5.3.3.5 V5NWKAN/PSTN/BV/4

Initial state of the IUT: CTRL_COM_INIT, CTRL_PORT_INIT, PSTN_INIT

Preamble: PSTN_ANx_6 & PSTN_AN6_1 & PSTN_AN1_4
Postamble: PSTN_ANx_6

TP23__S4_01 On receipt of a DISCONNECT message, the IUT shall send a DISCONNECT COMPLETE message and enter the PSTN_path_state AN1 (Null).

TP23__S4_02 On receipt of a DISCONNECT COMPLETE message, the IUT shall enter the PSTN_path_state AN1 (Null).

TP23__S4_03 On receipt of a STATUS ENQUIRY message the IUT shall send a STATUS message containing the cause_type "response to status enquiry" and the state AN4 and remain in the PSTN_path_state AN4 (Line information).

TP23__S4_04 On receipt of a COMMON CONTROL message containing the control_function_id IE "restart req", the IUT shall send a DISCONNECT COMPLETE message and a COMMON CONTROL message containing the control_function_id IE "restart complete". The IUT shall enter the PSTN_path_state AN0 (Out of Service).

On receipt of a COMMON CONTROL message containing the control_function_id IE "restart complete" (MDU-CTRL restart_complete) the IUT shall enter the PSTN_path_state AN1 (Null).

TP23__S4_05 On receipt of a PORT CONTROL message containing the control_function_element IE FE203 (block_cmd) (the PSTN protocol entity receives the MDU-CTRL port_blocked) the IUT shall send a DISCONNECT COMPLETE message and enter the PSTN_path_state AN6 (Port blocked).

The IUT shall stop all timers and no more messages shall be received from the user port.

TP23__S4_06 (*) On receipt of the event FE-subscriber_release, the IUT shall remain in the PSTN_path_state AN4 (Line information).

TP23__S4_07 (*) On receipt of an ESTABLISH message, the IUT shall remain in the PSTN_path_state AN4 (Line information).

TP23__S4_08 (*) On receipt of the event FE-subscriber_seizure, the IUT shall remain in the PSTN_path_state AN4 (Line information).

TP23__S4_09 (*) On receipt of the event FE-line_signal, the IUT shall remain in the PSTN_path_state AN4 (Line information).

Check that no further event occurs on the V5 interface.

TP23__S4_10 On receipt of a PORT CONTROL message containing the control_function_element IE FE201 (unblock_req) (the PSTN protocol entity receives the MDU-CTRL port_unblocked) the IUT shall remain in the PSTN_path_state AN4 (Line information).

5.3.3.6 V5NWKAN/PSTN/BV/5

Initial state of the IUT: CTRL_COM_INIT, CTRL_PORT_INIT, PSTN_INIT

Preamble: PSTN_ANx_6 & PSTN_AN6_1 & PSTN_AN1_5
 Postamble: PSTN_ANx_6

- TP23__S5_01 On receipt of a DISCONNECT message, the IUT shall send a DISCONNECT COMPLETE message and enter the PSTN_path_state AN1 (Null).
- TP23__S5_02 On receipt of a DISCONNECT COMPLETE message, the IUT shall enter the PSTN_path_state AN1 (Null).
- TP23__S5_03 (*) On receipt of a line condition (digits) (FE-line_signal), the IUT shall send a SIGNAL message containing the line condition and remain in the PSTN_path_state AN5 (Path active). On receipt of a SIGNAL ACK message containing the correct sequence number IE the IUT shall remain in the PSTN_path_state AN5 (Path active).
- On receipt of two subsequent line conditions (digits) (FE-line_signal), the IUT shall send two SIGNAL messages containing the line conditions and remain in the PSTN_path_state AN5 (Path active). On receipt of a SIGNAL ACK message containing the correct sequence number IE the IUT shall remain in the PSTN_path_state AN5 (Path active).
- TP23__S5_04 On receipt of a SIGNAL message, the IUT shall generate line conditions to the line stated in the SIGNAL message and remain in the PSTN_path_state AN5. On time-out of Tr the IUT shall send a SIGNAL ACK message and remain in the PSTN_path_state AN5 (Path active).
- On receipt of two subsequent SIGNAL messages, the IUT shall generate line conditions to the line stated in the SIGNAL messages and remain in the PSTN_path_state AN5. On time-out of Tr the IUT shall send a SIGNAL ACK message and remain in the PSTN_path_state AN5 (Path active).
- TP23__S5_05 On receipt of a STATUS ENQUIRY message the IUT shall send a STATUS message containing the cause_type "response to status enquiry" and the state AN5 and remain in the PSTN_path_state AN5 (Path active).
- TP23__S5_06 On receipt of a COMMON CONTROL message containing the control_function_id IE "restart req", the IUT shall send a DISCONNECT COMPLETE message and a COMMON CONTROL message containing the control_function_id IE "restart complete". The IUT shall enter the PSTN_path_state AN0 (Out of Service).
- On receipt of a COMMON CONTROL message containing the control_function_id IE "restart complete" (MDU-CTRL restart_complete) the IUT shall enter the PSTN_path_state AN1 (Null).
- TP23__S5_07 On receipt of a PORT CONTROL message containing the control_function_element IE FE203 (block_cmd) (the PSTN protocol entity receives the MDU-CTRL port_blocked) the IUT shall send a DISCONNECT COMPLETE message and enter the PSTN_path_state AN6 (Port blocked).
- The IUT shall stop all timers and no more messages shall be received from the user port.
- TP23__S5_08 On receipt of a PROTOCOL PARAMETER message, the IUT shall remain in the PSTN_path_state AN5 (Path active). On time-out of Tr the IUT shall send a SIGNAL ACK message and remain in the PSTN_path_state AN5 (Path active).
- TP23__S5_09 On receipt of a PORT CONTROL message containing the control_function_element IE FE201 (unblock_req) (the PSTN protocol entity receives the MDU-CTRL port_unblocked) the IUT shall remain in the PSTN_path_state AN5 (Path active).

5.3.3.7 V5NWKAN/PSTN/BV/6

Initial state of the IUT: CTRL_COM_INIT, CTRL_PORT_INIT, PSTN_INIT

Preamble: PSTN_ANx_6
Postamble: PSTN_ANx_6

TP23__S6_01 On receipt of a COMMON CONTROL message containing the control_function_id IE "restart req" the IUT shall send a COMMON CONTROL message containing the control_function_id IE "restart complete" and remain in the PSTN_path_state AN6 (Port blocked).

Postamble this test purpose by sending a COMMON CONTROL message containing the control_function_id IE "restart complete".

TP23__S6_02 On receipt of a STATUS ENQUIRY message the IUT shall send a STATUS message containing the cause_type "response to status enquiry" and the state AN6 and remain in the PSTN_path_state AN6 (Port blocked).

TP23__S6_03 On receipt of a PORT CONTROL message containing the control_function_element IE FE203 (block_cmd) (the PSTN protocol entity receives the MDU-CTRL port_blocked) the IUT shall remain in the PSTN_path_state AN6 (Port blocked).

The IUT shall stop all timers and no more messages shall be received from the user port.

TP23__S6_04 On receipt of the event FE-subscriber_seizure, the IUT shall remain in the PSTN_path_state AN6 (Port blocked).
(*)

TP23__S6_05 On receipt of the event FE-line_signal, the IUT shall remain in the PSTN_path_state AN6 (Port blocked).
(*)

Check that no further event occurs on the V5 interface.

TP23__S6_06 On receipt of the event FE-subscriber_release, the IUT shall remain in the PSTN_path_state AN6 (Port blocked).
(*)

TP23__S6_07 On receipt of a PORT CONTROL message containing the control_function_element IE FE201 (unblock_req) (the PSTN protocol entity receives the MDU-CTRL port_unblocked) the IUT shall enter the PSTN_path_state AN1 (Null).

TP23__S6_08 On receipt of a DISCONNECT COMPLETE message the IUT shall remain in the PSTN_path_state AN6 (Port blocked).

(before
TP24__S6_06)

5.3.3.8 V5NWKAN/PSTN/BV/7

Initial state of the IUT: CTRL_COM_INIT, CTRL_PORT_INIT, PSTN_INIT

Preamble: PSTN_ANx_6 & PSTN_AN6_1 & PSTN_AN1_5 & PSTN_AN5_7
 Postamble: PSTN_ANx_6

- TP23__S7_01 On receipt of a DISCONNECT message containing a signal IE, the IUT shall enter the PSTN_path_state AN1 (Null).
- TP23__S7_02 On receipt of a DISCONNECT COMPLETE message, the IUT shall enter the PSTN_path_state AN1 (Null).
- TP23__S7_03 On receipt of a STATUS ENQUIRY message the IUT shall send a STATUS message containing the cause_type "response to status enquiry" and the state AN7 and remain in the PSTN_path_state AN7 (Disconnect request).
- TP23__S7_04 On receipt of a COMMON CONTROL message containing the control_function_id IE "restart req", the IUT shall send a DISCONNECT COMPLETE message and a COMMON CONTROL message containing the control_function_id IE "restart complete" (PSTN FSM sends MDU restart_ack). The IUT shall enter the PSTN_path_state AN0 (Out of Service).
- On receipt of a COMMON CONTROL message containing the control_function_id IE "restart complete" (MDU-CTRL restart_complete) the IUT shall enter the PSTN_path_state AN1 (Null).
- TP23__S7_05 On receipt of a PORT CONTROL message containing the control_function_element IE FE203 (block_cmd) (the PSTN protocol entity receives the MDU-CTRL port_blocked) the IUT shall send a DISCONNECT COMPLETE message and enter the PSTN_path_state AN6 (Port blocked).
- The IUT shall stop all timers and no more messages shall be received from the user port.
- TP23__S7_06 On receipt of an ESTABLISH message the IUT shall remain in the PSTN_path_state AN7 (Disconnect Request).
- TP23__S7_07 On receipt of an ESTABLISH ACK message the IUT shall remain in the PSTN_path_state AN7 (Disconnect Request).
- TP23__S7_08 On receipt of a SIGNAL message the IUT shall remain in the PSTN_path_state AN7 (Disconnect Request).
- TP23__S7_09 On receipt of a SIGNAL ACK message the IUT shall remain in the PSTN_path_state AN7 (Disconnect Request).
- TP23__S7_10 On receipt of a PORT CONTROL message containing the control_function_element IE FE201 (unblock_req) (the PSTN protocol entity receives the MDU-CTRL port_unblocked) the IUT shall remain in the PSTN_path_state AN7 (Disconnect Request).
- TP23__S7_11 (*) On receipt of the event FE-subscriber_seizure, the IUT shall remain in the PSTN_path_state AN7 (Disconnect Request).
- Check that no further event occurs on the V5 interface.
- TP23__S7_12 (*) On receipt of the event FE-line_signal, the IUT shall remain in the PSTN_path_state AN7 (Disconnect Request).
- TP23__S7_13 (*) On receipt of the event FE-subscriber_release, the IUT shall remain in the PSTN_path_state AN7 (Disconnect Request).
- Check that no further event occurs on the V5 interface.

TP23__S7_14 On receipt of a PROTOCOL PARAMETER message the IUT shall remain in the PSTN_path_state AN7 (Disconnect request).
(before:
TP24__S7_01)

5.3.4 Inopportune behaviour tests (V5NWKAN/PSTN/BO)

Refer to EN 300 324-1 [1], table 29 and clause L.1.4.

All messages sent by LT1 and IUT have to be valid PSTN messages.

5.3.4.1 V5NWKAN/PSTN/BO/0

Initial state of the IUT: CTRL_COM_INIT, CTRL_PORT_INIT, PSTN_INIT

Preamble: PSTN_ANx_6 & PSTN_AN6_0
Postamble: PSTN_ANx_6

TP24__S0_01 On receipt of an ESTABLISH ACK message the IUT shall send a STATUS message containing the cause_type "message not compatible with path state", the ESTABLISH ACK message type identifier and the state AN0. The IUT shall remain in the PSTN_path_state AN0 (Out of service).
(*)

TP24__S0_02 On receipt of an ESTABLISH message the IUT shall send a STATUS message containing the cause_type "message not compatible with path state", the ESTABLISH message type identifier and the state AN0. The IUT shall remain in the PSTN_path_state AN0 (Out of service).
(*)

TP24__S0_03 On receipt of an DISCONNECT message the IUT shall send a STATUS message containing the cause_type "message not compatible with path state", the DISCONNECT message type identifier and the state AN0. The IUT shall remain in the PSTN_path_state AN0 (Out of service).
(*)

TP24__S0_04 On receipt of an SIGNAL message the IUT shall send a STATUS message containing the cause_type "message not compatible with path state", the SIGNAL message type identifier and the state AN0. The IUT shall remain in the PSTN_path_state AN0 (Out of service).
(*)

TP24__S0_06 On receipt of an PROTOCOL PARAMETER message the IUT shall send a STATUS message containing the cause_type "message not compatible with path state", the PROTOCOL PARAMETER message type identifier and the state AN0. The IUT shall remain in the PSTN_path_state AN0 (Out of service).
(*)

TP24__S0_07 On receipt of an SIGNAL ACK message the IUT shall send a STATUS message containing the cause_type "message not compatible with path state", the SIGNAL ACK message type identifier and the state AN0 (Out of service). The IUT shall remain in the PSTN_path_state AN0 (Out of service).
(*)

TP24__S0_08 On receipt of a PORT CONTROL message containing the control_function_element IE FE201 (unblock_req) (the PSTN protocol entity receives the MDU-CTRL port_unblocked) the IUT shall remain in the PSTN_path_state AN0 (Out of service).
(*)

5.3.4.2 V5NWKAN/PSTN/BO/1

Initial state of the IUT: CTRL_COM_INIT, CTRL_PORT_INIT, PSTN_INIT

Preamble: PSTN_ANx_6 & PSTN_AN6_1
 Postamble: PSTN_ANx_6

- TP24__S1_01 On receipt of an ESTABLISH ACK message the IUT shall send a STATUS message containing the cause_type "message not compatible with path state", the ESTABLISH ACK message type identifier and the state AN1. The IUT shall remain in the PSTN_path_state AN1 (Null).
- TP24__S1_02 On receipt of an SIGNAL message the IUT shall send a STATUS message containing the cause_type "message not compatible with path state", the SIGNAL message type identifier and the state AN1. The IUT shall remain in the PSTN_path_state AN1 (Null).
- TP24__S1_03 On receipt of an PROTOCOL PARAMETER message the IUT shall send a STATUS message containing the cause_type "message not compatible with path state", the PROTOCOL PARAMETER message type identifier and the state AN1. The IUT shall remain in the PSTN_path_state AN1 (Null).
- TP24__S1_04 On receipt of an SIGNAL ACK message the IUT shall send a STATUS message containing the cause_type "message not compatible with path state", the SIGNAL ACK message type identifier and the state AN1. The IUT shall remain in the PSTN_path_state AN1 (Null).

5.3.4.3 V5NWKAN/PSTN/BO/2

Initial state of the IUT: CTRL_COM_INIT, CTRL_PORT_INIT, PSTN_INIT

Precondition: PSTN_AN1_2

Preamble: PSTN_ANx_6 & PSTN_AN6_1
 Postamble: PSTN_ANx_6

- TP24__S2_01 (*) On receipt of a SIGNAL message the IUT shall send a STATUS message containing the cause_type "message not compatible with path state", the SIGNAL message type identifier and the state AN2. The IUT shall remain in the PSTN_path_state AN2 (Path initiated by AN).
- TP24__S2_02 (*) On receipt of a SIGNAL ACK message the IUT shall send a STATUS message containing the cause_type "message not compatible with path state", the SIGNAL ACK message type identifier and the state AN2. The IUT shall remain in the PSTN_path_state AN2 (Path initiated by AN).
- TP24__S2_03 (*) Unexpected subscriber seizure:
 On receipt of the event FE-subscriber_seizure, the IUT shall remain in the PSTN_path_state AN2 (Path initiated by AN).
- TP24__S2_04 (*) Unexpected line information:
 On receipt of the event FE-line_information, the IUT shall remain in the PSTN_path_state AN2 (Path initiated by AN).

5.3.4.4 V5NWKAN/PSTN/BO/3

Initial state of the IUT: CTRL_COM_INIT, CTRL_PORT_INIT, PSTN_INIT

Precondition: PSTN_AN1_2

Preamble: PSTN_ANx_6 & PSTN_AN6_1 & PSTN_AN2_3
 Postamble: PSTN_ANx_6

- TP24__S3_01 (*) On receipt of a SIGNAL message the IUT shall send a STATUS message containing the cause_type "message not compatible with path state", the SIGNAL message type identifier and the state AN3 The IUT shall remain in the PSTN_path_state AN3 (Path abort request).
- TP24__S3_02 (*) On receipt of a SIGNAL ACK message the IUT shall send a STATUS message containing the cause_type "message not compatible with path state", the SIGNAL ACK message type identifier and the state AN3 The IUT shall remain in the PSTN_path_state AN3 (Path abort request).
- TP24__S3_03 (*) On receipt of a PROTOCOL PARAMETER message the IUT shall send a STATUS message containing the cause_type "message not compatible with path state", the PROTOCOL PARAMETER message type identifier and the state AN3 The IUT shall remain in the PSTN_path_state AN3 (Path abort request).
- TP24__S3_04 (*) Unexpected line information:
 On receipt of the event FE-line_information, the IUT shall remain in the PSTN_path_state AN3 (Path abort request).
- TP24__S3_05 (*) Unexpected subscriber release:
 On receipt of the event FE-subscriber_release, the IUT shall remain in the PSTN_path_state AN3 (Path abort request).

5.3.4.5 V5NWKAN/PSTN/BO/4

Initial state of the IUT: CTRL_COM_INIT, CTRL_PORT_INIT, PSTN_INIT

Preamble: PSTN_ANx_6 & PSTN_AN6_1 & PSTN_AN1_4
 Postamble: PSTN_ANx_6

- TP24__S4_01 On receipt of a SIGNAL message the IUT shall send a STATUS message containing the cause_type "message not compatible with path state", the SIGNAL message type identifier and the state AN4 The IUT shall remain in the PSTN_path_state AN4 (Line information).
- TP24__S4_02 On receipt of a SIGNAL ACK message the IUT shall send a STATUS message containing the cause_type "message not compatible with path state", the SIGNAL ACK message type identifier and the state AN4 The IUT shall remain in the PSTN_path_state AN4 (Line information).
- TP24__S4_03 On receipt of a PROTOCOL PARAMETER message the IUT shall send a STATUS message containing the cause_type "message not compatible with path state", the PROTOCOL PARAMETER message type identifier and the state AN4 The IUT shall remain in the PSTN_path_state AN4 (Line information).
- TP24__S4_04 On receipt of an ESTABLISH ACK message the IUT shall send a STATUS message containing the cause_type "message not compatible with path state", the ESTABLISH ACK message type identifier and the state AN4 The IUT shall remain in the PSTN_path_state AN4 (Line information).

TP24__S4_05 Unexpected line information:

On receipt of the event FE-line_information, the IUT shall remain in the PSTN_path_state AN4 (Line information).

5.3.4.6 V5NWKAN/PSTN/BO/5

Initial state of the IUT: CTRL_COM_INIT, CTRL_PORT_INIT, PSTN_INIT

Preamble: PSTN_ANx_6 & PSTN_AN6_1 & PSTN_AN1_5
Postamble: PSTN_ANx_6

TP24__S5_01 On receipt of an ESTABLISH message the IUT shall send a STATUS message containing the cause_type "message not compatible with path state", the ESTABLISH message type identifier and the state AN5 The IUT shall remain in the PSTN_path_state AN5 (Path active).

TP24__S5_02 On receipt of an ESTABLISH ACK message the IUT shall send a STATUS message containing the cause_type "message not compatible with path state", the ESTABLISH ACK message type identifier and the state AN5 The IUT shall remain in the PSTN_path_state AN5 (Path active).

TP24__S5_04 Unexpected subscriber seizure:
(*)

On receipt of the event FE-subscriber_seizure, the IUT shall remain in the PSTN_path_state AN5 (Path active).

TP24__S5_05 Unexpected line information:
(*)

On receipt of the event FE-line_information, the IUT shall remain in the PSTN_path_state AN5 (Path active).

TP24__S5_06 Unexpected subscriber release:
(*)

On receipt of the event FE-subscriber_release, the IUT shall remain in the PSTN_path_state AN5 (Path active).

5.3.4.7 V5NWKAN/PSTN/BO/6

Initial state of the IUT: CTRL_COM_INIT, CTRL_PORT_INIT, PSTN_INIT

Preamble: PSTN_ANx_6
Postamble: PSTN_ANx_6

TP24__S6_01 On receipt of an ESTABLISH message the IUT shall send a STATUS message containing the cause_type "message not compatible with path state", the ESTABLISH message type identifier and the state AN6. The IUT shall remain in the PSTN_path_state AN6 (Port blocked).

TP24__S6_02 On receipt of an ESTABLISH ACK message the IUT shall send a STATUS message containing the cause_type "message not compatible with path state", the ESTABLISH ACK message type identifier and the state AN6. The IUT shall remain in the PSTN_path_state AN6 (Port blocked).

TP24__S6_03 On receipt of a SIGNAL message the IUT shall send a STATUS message containing the cause_type "message not compatible with path state", the SIGNAL message type identifier and the state AN6. The IUT shall remain in the PSTN_path_state AN6 (Port blocked).

TP24__S6_04 On receipt of a SIGNAL ACK message the IUT shall send a STATUS message containing the cause_type "message not compatible with path state", the SIGNAL ACK message type identifier and the state AN6. The IUT shall remain in the PSTN_path_state AN6 (Port blocked).

- TP24__S6_05 On receipt of a DISCONNECT message the IUT shall send a STATUS message containing the cause_type "message not compatible with path state", the DISCONNECT message type identifier and the state AN6. The IUT shall remain in the PSTN_path_state AN6 (Port blocked).
- TP24__S6_07 On receipt of a PROTOCOL PARAMETER message the IUT shall remain in the PSTN_path_state AN6 (Port blocked).

5.3.4.8 V5NWKAN/PSTN/BO/7

Initial state of the IUT: CTRL_COM_INIT, CTRL_PORT_INIT, PSTN_INIT

Preamble: PSTN_ANx_6 & PSTN_AN6_1 & PSTN_AN1_5 & PSTN_AN5_7
 Postamble: PSTN_ANx_6

- TP24__S7_02 Unexpected line information:
 (*)
 On receipt of the event FE-line_information, the IUT shall remain in the PSTN_path_state AN7 (Disconnect request).

5.3.5 Invalid behaviour tests (V5NWKAN/PSTN/BI)

Refer to EN 300 324-1 [1], clause 13.5.2.

5.3.5.1 V5NWKAN/PSTN/BI/1

Initial state of the IUT: CTRL_COM_INIT, CTRL_PORT_INIT, PSTN_INIT

Preamble: PSTN_ANx_6 & PSTN_AN6_1
 Postamble: PSTN_ANx_6

- TP25__S1_01 Check that the IUT discards messages containing less than 4 octets and remains in the PSTN_path_state AN1 (Null).
- TP25__S1_02 (protocol discriminator error)
 Check that the IUT discards an ESTABLISH message (sends no ESTABLISH ACK message) containing an unspecified protocol_discriminator IE. The IUT shall remain in the PSTN_path_state AN1 (Null).
- TP25__S1_03 (L3 address error)
 Check that the IUT discards an ESTABLISH message (sends no ESTABLISH ACK message) containing an unprovisioned L3addr. The IUT shall send a STATUS message containing the cause_type "L3 address error" and the state AN1. The IUT shall remain in the PSTN_path_state AN1 (Null).
 The STATUS message sent by the AN shall contain the state IE "not applicable" and not "AN1" (refer to EN 300 324-1 [1], clause 13.5.2.2).
- TP25__S1_04 (message type error)
 Check that the IUT discards a message containing an unspecified message_type IE. The IUT shall send a STATUS message containing the cause_type "message type unrecognized", the received message type identifier and the state AN1. The IUT shall remain in the PSTN_path_state AN1 (Null).

- TP25__S1_05 (repeated optional IEs)
 On receipt of an DISCONNECT message containing more than 3 repeated valid optional IE the IUT shall send a STATUS message containing the cause_type "repeated optional IEs", the DISCONNECT message identifier, the repeated IE identifier and the state AN1. The IUT shall then send an DISCONNECT COMPLETE message and remains in the PSTN_path_state AN1 (Null).
- TP25__S1_06 (unrecognized IE)
 On receipt of an ESTABLISH message containing one valid and one unspecified optional IE the IUT shall send a STATUS message containing the cause_type "unrecognized IE", the ESTABLISH message identifier, the unrecognized IE identifier and the state AN1. The IUT shall then send an ESTABLISH ACK message and enter the PSTN_path_state AN5 (Path active).
- TP25__S1_07 (content error of optional IE)
 On receipt of an DISCONNECT message containing an incorrect IE the IUT shall send a STATUS message containing the cause_type "optional IE content error", the DISCONNECT message identifier, the faulty IE identifier and the state AN1. The IUT shall then send an DISCONNECT COMPLETE message and remains in the PSTN_path_state AN1 (NULL).
- TP25__S1_07b (content error of optional IE)
 On receipt of an ESTABLISH message containing a valid and an incorrect conditional IE the IUT shall send a STATUS message containing the cause_type "optional IE content error", the ESTABLISH message identifier, the faulty IE identifier and the state AN1. The IUT shall then send an ESTABLISH ACK message and <<remains>> in the PSTN_path_state AN5 (Path active).
- TP25__S1_08 (optional IE not allowed)
 Check that the IUT discards an ESTABLISH message (sends no ESTABLISH ACK message) containing two different valid IEs The IUT shall send a STATUS message containing the cause_type "too many IEs", the ESTABLISH message identifier and the state AN1. The IUT shall remain in the PSTN_path_state AN1 (Null).

5.3.5.2 V5NWKAN/PSTN/BI/5

Initial state of the IUT: CTRL_COM_INIT, CTRL_PORT_INIT, PSTN_INIT

Preamble: PSTN_ANx_6 & PSTN_AN6_1 & PSTN_AN1_5
 Postamble: PSTN_ANx_6

- TP25__S5_01 (IE out of sequence)
 Check that the IUT discards a SIGNAL message (sends no SIGNAL ACK message) containing a valid conditional IE and the correct sequence_number IE out of sequence. The IUT shall send a STATUS message containing the cause_type " out of sequence IE", the SIGNAL message identifier, the sequence number IE identifier and the state AN5. The IUT shall remain in the PSTN_path_state AN5 (Path Active).
- TP25__S5_02 (repeated mandatory IEs)
 Check that the IUT discards a SIGNAL ACK message containing two repeated sequence number IEs. The IUT shall send a STATUS message containing the cause_type "repeated mandatory IE", the SIGNAL message identifier, the repeated IE identifier and the state AN5. The IUT shall remain in the PSTN_path_state AN5 (Path Active).

TP25__S5_03	(mandatory IE missing) Check that the IUT discards a SIGNAL message (sends no SIGNAL ACK message) containing no sequence_number IE. The IUT shall send a STATUS message containing the cause_type "mandatory IE missing", the SIGNAL message identifier, the missing IE identifier and the state AN5. The IUT shall remain in the PSTN_path_state AN5 (Path Active).
TP25__S5_04	(content error of mandatory IE) On receipt of an SIGNAL message containing an invalid length of the mandatory IE "sequence_number" the IUT shall send a STATUS message containing the cause_type "Mandatory IE content error", the SIGNAL message identifier, the missing IE identifier and the state AN5. The IUT shall remain in the PSTN_path_state AN5 (Path active)
TP25__S5_04b	(content error of mandatory IE) On receipt of an SIGNAL message containing an invalid length of the conditional IE "Enable-metering" the IUT shall send a STATUS message containing the cause_type "Mandatory IE content error", the SIGNAL message identifier, the missing IE identifier and the state AN5. The IUT shall remain in the PSTN_path_state AN5 (Path active)
TP25__S5_05	(Conditional IE missing) Check that the IUT discards a SIGNAL message (sends no SIGNAL ACK message) containing no conditional IE. The IUT shall send a STATUS message containing the cause_type "mandatory IE missing ", the SIGNAL message identifier and the state AN5. The IUT shall remain in the PSTN_path_state AN5 (Path Active).

5.3.6 Timer expiry and counter mismatch tests (V5NWKAN/PSTN/TI)

Refer to EN 300 324-1 [1], table 29 and clause L.1.4.

5.3.6.1 V5NWKAN/PSTN/TI/2

Initial state of the IUT: CTRL_COM_INIT, CTRL_PORT_INIT, PSTN_INIT

Preamble: PSTN_ANx_6 & PSTN_AN6_1 & PSTN_AN1_2
Postamble: PSTN_ANx_6

TP26__S2_01 (*)	On time-out of timer T1 the IUT shall repeat sending the ESTABLISH message and remain in the PSTN_path_state AN2 (Path initiated by AN). On receipt of an ESTABLISH ACK message after N1 repetitions of the ESTABLISH message the IUT shall enter the PSTN_path_state AN5 (Path active).
TP26__S2_02 (*)	On time-out of timer T1 the IUT shall repeat sending the ESTABLISH message and remain in the PSTN_path_state AN2 (Path initiated by AN). On time-out of timer T2 the IUT shall repeat sending the ESTABLISH message and remain in the PSTN_path_state AN2 (Path initiated by AN). On receipt of an ESTABLISH ACK message after N2 repetitions of the ESTABLISH message the IUT shall enter the PSTN_path_state AN5 (Path active).

5.3.6.2 V5NWKAN/PSTN/TI/3

Initial state of the IUT: CTRL_COM_INIT, CTRL_PORT_INIT, PSTN_INIT

Preamble: PSTN_ANx_6 & PSTN_AN6_1 & PSTN_AN1_2 & PSTN_AN2_3
Postamble: PSTN_ANx_6

TP26__S3_01 (*)	On time-out of timer T1 the IUT shall send a DISCONNECT COMPLETE message and shall enter the PSTN_path_state AN1 (Null).
---------------------	--

5.3.6.3 V5NWKAN/PSTN/TI/4

Initial state of the IUT: CTRL_COM_INIT, CTRL_PORT_INIT, PSTN_INIT

Preamble: PSTN_ANx_6 & PSTN_AN6_1 & PSTN_AN1_4
 Postamble: PSTN_ANx_6

TP26__S4_01 (*) On time-out of timer T1 the IUT shall repeat sending the ESTABLISH message and remain in the PSTN_path_state AN4 (Line information). On receipt of a DISCONNECT COMPLETE message after N1 repetitions of the ESTABLISH message the IUT shall enter the PSTN_path_state AN1 (Null).

TP26__S4_02 (*) On time-out of timer T1 the IUT shall repeat sending the ESTABLISH message and remain in the PSTN_path_state AN4 (Line information). On time-out of timer T2 the IUT shall repeat sending the ESTABLISH message and remain in the PSTN_path_state AN4 (Line information). On receipt of a DISCONNECT COMPLETE message after N2 repetitions of the ESTABLISH message the IUT shall enter the PSTN_path_state AN1 (Null).

5.3.6.4 V5NWKAN/PSTN/TI/5

Initial state of the IUT: CTRL_COM_INIT, CTRL_PORT_INIT, PSTN_INIT

Preamble: PSTN_ANx_6 & PSTN_AN6_1 & PSTN_AN1_5
 Postamble: PSTN_ANx_6

TP26__S5_01 Refer to TP23__S5_04 in clause 5.3.3.3.

TP26__S5_02 On time-out of timer Tt after sending a SIGNAL message the IUT shall send a DISCONNECT message and enter the PSTN_path_state AN7 (Disconnect Request).

TP26__S5_03 On receipt of a SIGNAL message containing a faulty sequence number the IUT shall send a DISCONNECT message and enter the PSTN_path_state AN7 (Disconnect Request).

TP26__S5_04 On receipt of a SIGNAL ACK message containing a faulty sequence number after sending a SIGNAL message the IUT shall send a DISCONNECT message and enter the PSTN_path_state AN7 (Disconnect Request).

5.3.6.5 V5NWKAN/PSTN/TI/7

Initial state of the IUT: CTRL_COM_INIT, CTRL_PORT_INIT, PSTN_INIT

Preamble: PSTN_ANx_6 & PSTN_AN6_1 & PSTN_AN1_5 & PSTN_AN5_7
 Postamble: PSTN_ANx_6

TP26__S7_01 On time-out of timer T3 the IUT shall repeat sending the DISCONNECT message and remain in the PSTN_path_state AN7 (Disconnect Request). On receipt of a DISCONNECT COMPLETE message after N3 repetitions of the DISCONNECT message the IUT shall enter the PSTN_path_state AN1 (Null).

TP26__S7_02 On time-out of timer T3 the IUT shall repeat sending the DISCONNECT message and remain in the PSTN_path_state AN7 (Disconnect Request). On N3+1 time-outs of timer T3 the IUT shall send a DISCONNECT message and remain in the PSTN_path_state AN7 (Disconnect Request).

On receipt of a DISCONNECT COMPLETE message after N3+2 repetitions of the DISCONNECT message the IUT shall enter the PSTN_path_state AN1 (Null).

Bibliography

The following material, though not specifically referenced in the body of the present document (or not publicly available), gives supporting information.

- ETSI ETS 300 406: "Methods for Testing and Specification (MTS); Protocol and profile conformance testing specifications; Standardization methodology".

History

Document history		
Edition 1	October 1995	Publication as ETS 300 324-3
Edition 2	April 1999	Publication as ETS 300 324-3
V3.1.1	December 1999	Public Enquiry PE 200017: 1999-12-29 to 2000-04-28
V3.1.1	January 2001	Vote V 20010316: 2001-01-15 to 2001-03-16
V3.1.1	March 2001	Publication