

ETSI EN 300 207-5 V3.1.1 (2001-06)

European Standard (Telecommunications series)

**Integrated Services Digital Network (ISDN);
Diversion supplementary services;
Digital Subscriber Signalling System No. one (DSS1) protocol;
Part 5: Test Suite Structure and Test Purposes (TSS&TP)
specification for the network**



Reference

REN/SPAN-130226-5

KeywordsISDN, DSS1, supplementary service, SCF,
TSS&TP, network**ETSI**

650 Route des Lucioles
F-06921 Sophia Antipolis Cedex - FRANCE

Tel.: +33 4 92 94 42 00 Fax: +33 4 93 65 47 16

Siret N° 348 623 562 00017 - NAF 742 C
Association à but non lucratif enregistrée à la
Sous-Préfecture de Grasse (06) N° 7803/88

Important notice

Individual copies of the present document can be downloaded from:

<http://www.etsi.org>

The present document may be made available in more than one electronic version or in print. In any case of existing or perceived difference in contents between such versions, the reference version is the Portable Document Format (PDF). In case of dispute, the reference shall be the printing on ETSI printers of the PDF version kept on a specific network drive within ETSI Secretariat.

Users of the present document should be aware that the document may be subject to revision or change of status. Information on the current status of this and other ETSI documents is available at <http://www.etsi.org/tb/status/>

If you find errors in the present document, send your comment to:
editor@etsi.fr

Copyright Notification

No part may be reproduced except as authorized by written permission.
The copyright and the foregoing restriction extend to reproduction in all media.

© European Telecommunications Standards Institute 2001.
All rights reserved.

Contents

Intellectual Property Rights	5
Foreword.....	5
1 Scope.....	6
2 References	6
3 Definitions.....	7
3.1 Definitions related to conformance testing	7
3.2 Definitions related to EN 300 207-1.....	7
4 Abbreviations	8
5 Test Suite Structure (TSS)	9
5.1 TSS for call diversion excluding SCF	9
5.2 TSS for SCF.....	9
6 Test Purposes (TP).....	10
6.1 Introduction.....	10
6.1.1 TP naming convention	10
6.1.2 Source of TP definition	10
6.1.3 TP structure	11
6.1.4 Test strategy	11
6.2 Network TPs for call diversion excluding SCF.....	11
6.2.1 Common (S/T or T).....	12
6.2.1.1 Calling user procedures.....	12
6.2.1.1.1 EN 300 207-1, clause 9.2.2.....	12
6.2.1.1.2 EN 300 207-1, clause 9.2.3.....	12
6.2.1.2 Served user procedures	14
6.2.1.2.1 EN 300 207-1, clause 9.1.....	14
6.2.1.2.2 EN 300 207-1, clause 9.2.4.....	27
6.2.2 S/T only.....	41
6.2.2.1 Served user procedures	41
6.2.2.1.1 EN 300 207-1, clause 9.3.....	41
6.2.2.2 Called (diverted-to) user procedures.....	41
6.2.2.2.1 EN 300 207-1, clause 9.2.5.....	41
6.2.3 T only.....	42
6.2.3.1 EN 300 207-1, clause 10.1	42
6.2.3.2 EN 300 207-1, clause 10.2	44
6.2.3.3 EN 300 207-1, clause 10.4	45
6.2.3.4 EN 300 207-1, clause 10.5	45
6.2.4 Interworking	50
6.3 Network TPs for SCF.....	50
6.3.1 Signalling procedures at the coincident S and T reference point	50
6.3.1.1 SCFB supplementary service	50
6.3.1.1.1 Activation	51
6.3.1.1.2 Deactivation.....	57
6.3.1.2 SCFU supplementary service	62
6.3.1.2.1 Activation	62
6.3.1.2.2 Deactivation.....	69
6.3.1.3 SCFNR supplementary service.....	74
6.3.1.3.1 Activation	74
6.3.1.3.2 Deactivation.....	80
6.3.1.4 Interrogation - SCF.....	86
6.3.1.5 Interrogation - Screening List.....	87
7 Compliance	88
8 Requirements for a comprehensive testing service.....	88

Annex A (informative): Bibliography.....89
History90

Intellectual Property Rights

IPRs essential or potentially essential to the present document may have been declared to ETSI. The information pertaining to these essential IPRs, if any, is publicly available for **ETSI members and non-members**, and can be found in ETSI SR 000 314: "*Intellectual Property Rights (IPRs); Essential, or potentially Essential, IPRs notified to ETSI in respect of ETSI standards*", which is available from the ETSI Secretariat. Latest updates are available on the ETSI Web server (<http://www.etsi.org/ipr>).

Pursuant to the ETSI IPR Policy, no investigation, including IPR searches, has been carried out by ETSI. No guarantee can be given as to the existence of other IPRs not referenced in ETSI SR 000 314 (or the updates on the ETSI Web server) which are, or may be, or may become, essential to the present document.

Foreword

This European Standard (Telecommunications series) has been produced by ETSI Technical Committee Services and Protocols for Advanced Networks (SPAN).

The present document is part 5 of a multi-part deliverable covering the Digital Subscriber Signalling System No. one (DSS1) protocol specification for the Integrated Services Digital Network (ISDN); Diversion supplementary services; as described below:

- Part 1: "Protocol specification";
- Part 2: "Protocol Implementation Conformance Statement (PICS) proforma specification";
- Part 3: "Test Suite Structure and Test Purposes (TSS&TP) specification for the user";
- Part 4: "Abstract Test Suite (ATS) and partial Protocol Implementation eXtra Information for Testing (PIXIT) proforma specification for the user";
- Part 5: "Test Suite Structure and Test Purposes (TSS&TP) specification for the network";**
- Part 6: "Abstract Test Suite (ATS) and partial Protocol Implementation eXtra Information for Testing (PIXIT) proforma specification for the network".

National transposition dates	
Date of adoption of this EN:	8 June 2001
Date of latest announcement of this EN (doa):	30 September 2001
Date of latest publication of new National Standard or endorsement of this EN (dop/e):	31 March 2002
Date of withdrawal of any conflicting National Standard (dow):	31 March 2002

1 Scope

The present document specifies the Test Suite Structure and Test Purposes (TSS&TP) for the Network side of the T reference point or coincident S and T reference point (as defined in ITU-T Recommendation I.411 [11]) of implementations conforming to the stage three standard for the diversion supplementary services for the pan-European Integrated Services Digital Network (ISDN) by means of the Digital Subscriber Signalling System No. one (DSS1) protocol, EN 300 207-1 [1].

A further part of the present document specifies the Abstract Test Suite (ATS) and partial Protocol Implementation eXtra Information for Testing (PIXIT) proforma based on the present document. Other parts specify the TSS&TP and the ATS and partial PIXIT proforma for the User side of the T reference point or coincident S and T reference point of implementations conforming to EN 300 207-1 [1].

2 References

The following documents contain provisions which, through reference in this text, constitute provisions of the present document.

- References are either specific (identified by date of publication and/or edition number or version number) or non-specific.
- For a specific reference, subsequent revisions do not apply.
- For a non-specific reference, the latest version applies.

- [1] ETSI EN 300 207-1 (V2.0.1): "Integrated Services Digital Network (ISDN); Diversion supplementary services; Digital Subscriber Signalling System No. one (DSS1) protocol; Part 1: Protocol specification".
- [2] ETSI EN 300 207-2 (V2.0.1): "Integrated Services Digital Network (ISDN); Diversion supplementary services; Digital Subscriber Signalling System No. one (DSS1) protocol; Part 2: Protocol Implementation Conformance Statement (PICS) proforma specification".
- [3] ETSI EN 300 196-1: "Integrated Services Digital Network (ISDN); Generic functional protocol for the support of supplementary services; Digital Subscriber Signalling System No. one (DSS1) protocol; Part 1: Protocol specification".
- [4] ETSI EN 300 403-1: "Integrated Services Digital Network (ISDN); Digital Subscriber Signalling System No. one (DSS1) protocol; Signalling network layer for circuit-mode basic call control; Part 1: Protocol specification [ITU-T Recommendation Q.931 (1993), modified]".
- [5] ETSI EN 300 403-3: "Integrated Services Digital Network (ISDN); Digital Subscriber Signalling System No. one (DSS1) protocol; Signalling network layer for circuit-mode basic call control; Part 3: Protocol Implementation Conformance Statement (PICS) proforma specification".
- [6] ISO/IEC 9646-1: "Information technology; Open Systems Interconnection; Conformance testing methodology and framework; Part 1: General concepts".
- [7] ISO/IEC 9646-2: "Information technology; Open Systems Interconnection; Conformance testing methodology and framework; Part 2: Abstract Test Suite specification".
- [8] ITU-T Recommendation E.164 (1997): "The international public telecommunication numbering plan".
- [9] ITU-T Recommendation I.112 (1993): "Vocabulary of terms for ISDNs".
- [10] ITU-T Recommendation I.210 (1993): "Principles of telecommunication services supported by an ISDN and the means to describe them".
- [11] ITU-T Recommendation I.411 (1993): "ISDN user-network interfaces - Reference configurations".

3 Definitions

3.1 Definitions related to conformance testing

For the purposes of the present document, the following terms and definitions apply:

abstract test case: refer to ISO/IEC 9646-1 [6]

Abstract Test Suite (ATS): refer to ISO/IEC 9646-1 [6]

Implementation Under Test (IUT): refer to ISO/IEC 9646-1 [6]

Protocol Implementation Conformance Statement (PICS): refer to ISO/IEC 9646-1 [6]

PICS proforma: refer to ISO/IEC 9646-1 [6]

Protocol Implementation eXtra Information for Testing (PIXIT): refer to ISO/IEC 9646-1 [6]

PIXIT proforma: refer to ISO/IEC 9646-1 [6]

Test Purpose (TP): refer to ISO/IEC 9646-1 [6]

3.2 Definitions related to EN 300 207-1

For the purposes of the present document, the following terms and definitions apply:

call reference: see EN 300 403-1 [4], clause 4.3

component: see EN 300 196-1 [3], clause 11.2.2.1

Integrated Services Digital Network (ISDN): see ITU-T Recommendation I.112 [9], definition 308

ISDN number: number conforming to the numbering and structure specified in ITU-T Recommendation E.164 [8]

invoke component: see EN 300 196-1 [3], clause 11.2.2.1

network: DSS1 protocol entity at the Network side of the user-network interface where a T reference point or coincident S and T reference point applies

network (S/T): DSS1 protocol entity at the Network side of the user-network interface where a coincident S and T reference point applies

network (T): DSS1 protocol entity at the Network side of the user-network interface where a T reference point applies (Network connected to Private ISDN)

return error component: see EN 300 196-1 [3], clause 11.2.2.1

return result component: see EN 300 196-1 [3], clause 11.2.2.1

served user: user who invokes the call diversion supplementary service

service; telecommunication service: see ITU-T Recommendation I.112 [9], definition 201

supplementary service: see ITU-T Recommendation I.210 [10], clause 2.4

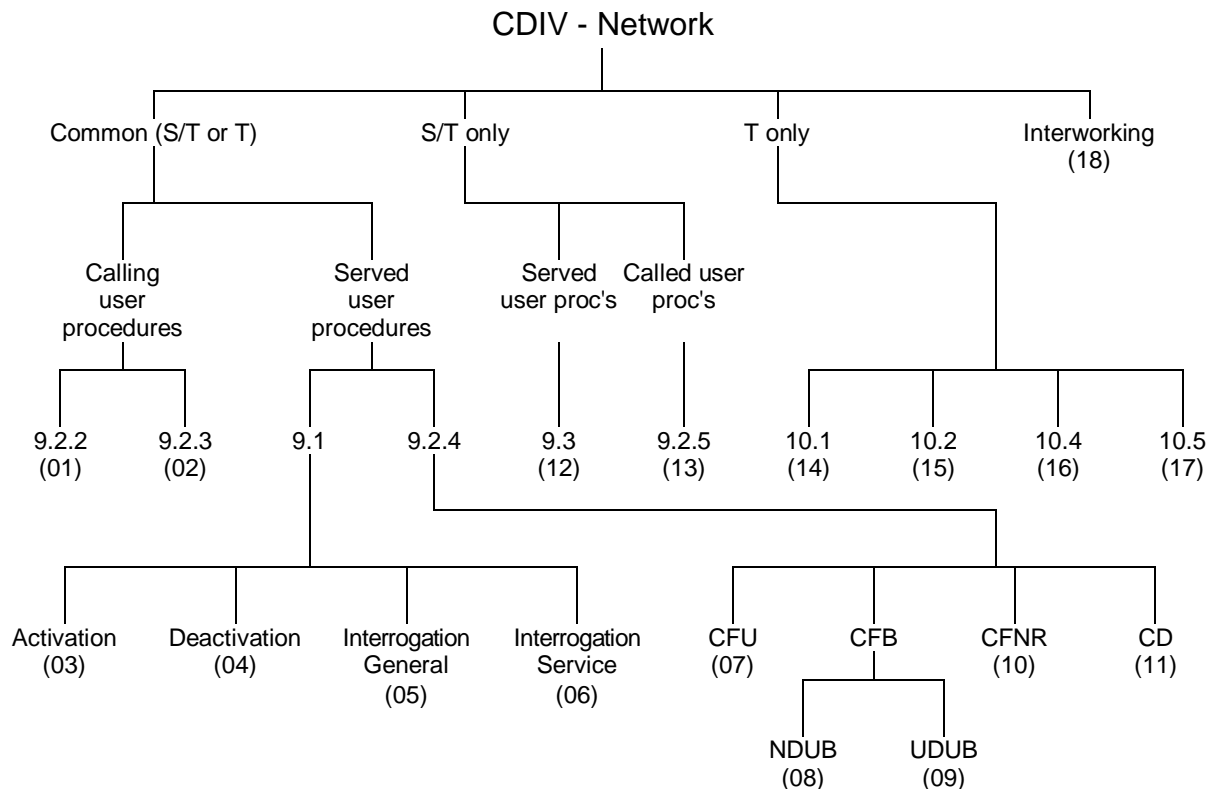
4 Abbreviations

For the purposes of the present document, the following abbreviations apply:

ATM	Abstract Test Method
ATS	Abstract Test Suite
CD	Call Deflection
CFB	Call Forwarding Busy
CFNR	Call Forwarding No Reply
CFU	Call Forwarding Unconditional
DCR	Dummy Call Reference
DSS1	Digital Subscriber Signalling System No. one
ISDN	Integrated Services Digital Network
IUT	Implementation Under Test
NDUB	Network Determined User Busy
PICS	Protocol Implementation Conformance Statement
PIXIT	Protocol Implementation eXtra Information for Testing
SCFB	Selective Call Forwarding Busy
SCFNR	Selective Call Forwarding No Reply
SCFU	Selective Call Forwarding Unconditional
TP	Test Purpose
TSS	Test Suite Structure
UDUB	User Determined User Busy

5 Test Suite Structure (TSS)

5.1 TSS for call diversion excluding SCF

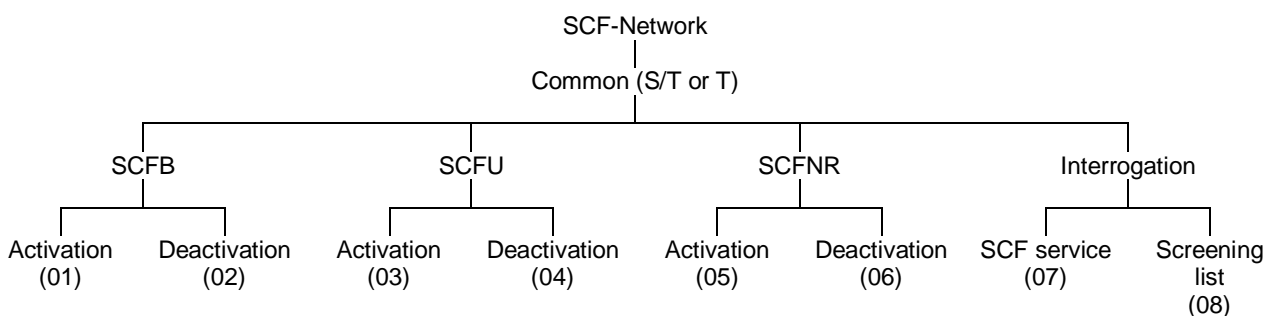


NOTE 1: Numbers in brackets represent group numbers and are used in TP identifiers.

NOTE 2: See EN 300 207-1 [1] for titles of referenced clauses (9.2.2 etc.).

Figure 1: Test suite structure for CFU, CFB, CFNR and CD

5.2 TSS for SCF



NOTE: Numbers in brackets represent group numbers and are used in TP identifiers.

Figure 2: Test suite structure for SCF

6 Test Purposes (TP)

6.1 Introduction

For each test requirement a TP is defined.

6.1.1 TP naming convention

TPs are numbered, starting at 001, within each group. Groups are organized according to the TSS. Additional references are added to identify the actual supplementary service and whether it applies to the network or the user (see table 1).

Table 1: TP identifier naming convention scheme

Identifier:		<ss>_<iut><group>_[<service>_]<nnn>	
<ss>	= supplementary service:	e.g. "SCF"	
<iut>	= type of IUT:	U	User
		N	Network
<group>	= group	2 digit field representing group reference according to TSS	
<Service>	= service (optional)	abbreviation of service name (see note 2 in 6.2).	
<nnn>	= sequential number	(001-999)	

6.1.2 Source of TP definition

The TPs are based on EN 300 207-1 [1].

6.1.3 TP structure

A particular structure has been used and this is illustrated in table 2. This table should be read in conjunction with any TP, i.e. use a TP as an example to fully understand the table.

Table 2: Structure of a single TP

TP Part	Text	Example
Header	TP Identifier Reference to the clause of the base specification containing the conformance requirement. Reference to selection criteria	see table 1 clause 9.1.1 (see note 1)
Stimulus	Ensure that the IUT in the <basic call state> and <supplementary service state> <trigger> <i>see below for message structure</i> or <goal>	U00, U10 etc. SCNFR Wait Deactivation state receiving a XXXX message to request a ...
Reaction	<action> <conditions> <i>if the action is sending</i> <i>see below for message structure</i> <next action>, etc. and enters <supplementary service state> <i>and/or</i> and remains in the same call state(s) <i>or</i> and enters call state <state>	sends, saves, does, etc. using en-bloc sending, ...
Message structure	<message type> message containing a <i>a)</i> <info element> information element with <i>b)</i> a <field name> encoded as <i>or</i> including <coding of the field> and <i>back to a or b,</i>	SETUP, FACILITY, CONNECT, ... Bearer capability, Facility, ... (see note 2)
Selection	Selection criteria reference	Call forwarding supported. PICS: R 1.3
NOTE 1: In order to use the same structure as for test group selection, the selection criteria is indicated at the bottom of the test purpose.		
NOTE 2: Unless specified the messages are valid and contain at least the mandatory information elements and possibly optional information elements, the information elements are valid and contain at least the mandatory parameters and possibly optional parameters.		

6.1.4 Test strategy

The TPs were generated as a result of an analysis of the base standard EN 300 207-1 [1] and the PICS specification EN 300 207-2 [2].

The TPs are only based on conformance requirements related to the externally observable behaviour of the IUT, and are limited to conceivable situations to which a real implementation is likely to be faced.

6.2 Network TPs for call diversion excluding SCF

NOTE 1: Where a FACILITY message is followed by "(DCR)", this means that the message is sent or received using the dummy call reference. FACILITY messages with no indication of DCR indicate that the call reference of the associated call is used.

<service> = CFB, CFNR, CFU

NOTE 2: As a large amount of the protocol for CFB, CFNR and CFU is independent of which of the three services is supported, the TPs have mostly been written in a general way. This ensures consistent TPs and should help in the development of consistent test cases and in their maintenance. Each TP containing "<service>" is in fact three TPs - one for each of the three services. The other service, CD, is treated separately.

6.2.1 Common (S/T or T)

NOTE: This clause contains TPs for implementations which support coincident S and T reference point procedures and for implementations which support T reference point procedures. Thus this clause contains TPs which are generally independent of the reference point configuration. Note, however, that there are a number of exceptions, and in these cases the selection expression attached to the TP gives a clear indication of which reference point configuration is appropriate.

6.2.1.1 Calling user procedures

6.2.1.1.1 EN 300 207-1, clause 9.2.2

CDIV_N01_001 **clause 9.2.2.1** **valid** **mandatory**

Ensure that the IUT in the Call Initiated call state N01, to indicate that the first call diversion has occurred,

sends a CALL PROCEEDING or NOTIFY message containing a Notification indicator information element coded "call is diverting" to the calling user.

CDIV_N01_002 **clause 9.2.2.1** **valid** **mandatory**

Ensure that the IUT in the Outgoing Call Proceeding call state N03, to indicate that the first call diversion has occurred,

sends an ALERTING, PROGRESS, CONNECT, INFORMATION or NOTIFY message containing a Notification indicator information element coded "call is diverting" to the calling user.

CDIV_N01_003 **clause 9.2.2.1** **valid** **mandatory**

Ensure that the IUT in the Call Delivered call state N04, to indicate that a subsequent call diversion with the diverting cause CDA or CFNR has occurred,

sends a PROGRESS, CONNECT, INFORMATION or NOTIFY message containing a Notification indicator information element coded "call is diverting" to the calling user.

CDIV_N01_004 **clause 9.2.2.1** **valid** **mandatory**

Ensure that the IUT in the Call Delivered call state N04, to indicate diversion from the diverted-to user where no progress indicator has been received,

sends a NOTIFY message with the diversion notifications as indicated by the restriction requirements to the calling user.

CDIV_N01_005 **clause 9.2.2.1** **valid** **mandatory**

Ensure that the IUT in the Call Delivered call state N04, to indicate diversion from the diverted-to user where a progress indicator has been received,

sends a PROGRESS message with the diversion notifications as indicated by the restriction requirements to the calling user.

6.2.1.1.2 EN 300 207-1, clause 9.2.3

CDIV_N02_001 **clause 9.2.3.1** **valid** **mandatory**

Ensure that the IUT in the Call Delivered call state N04, to indicate completion of the call at the diverted-to user where presentation of the diverted-to number is not allowed in accordance with the COLR supplementary service of the diverted-to user,

sends a CONNECT message and possibly a NOTIFY, INFORMATION or PROGRESS message none of which includes a Redirection number information element.

CDIV_N02_002 **clause 9.2.3.1** **valid** **mandatory**

Ensure that the IUT in the Call Delivered call state N04, to indicate completion of the call at the diverted-to user where presentation of the diverted-to number is allowed in accordance with the COLR supplementary service of the diverted-to user,

sends a CONNECT message and possibly a NOTIFY, INFORMATION or PROGRESS message none of which includes a Redirection number information element.

CDIV_N02_003 **clause 9.2.3.1** **valid** **mandatory**

Ensure that the IUT in the Outgoing Call Proceeding call state N03, to indicate that the presentation of the diverted-to number is allowed in accordance with the COLR supplementary service of the diverted-to user,

sends to the calling user an ALERTING, CONNECT, NOTIFY, INFORMATION or PROGRESS message containing a Redirection number information element with the presentation indicator set to "presentation allowed", the numbering identification field set to "ISDN numbering plan (ITU-T Recommendation E.164 [8])" or "unknown", the type of number field set to "national number", "international number" or "unknown" and the redirection number information provided in the number digits field.

CDIV_N02_004 **clause 9.2.3.1** **valid** **mandatory**

Ensure that the IUT in the Call Delivered call state N04, to indicate that the presentation of the diverted-to number is allowed in accordance with the COLR supplementary service of the diverted-to user,

sends to the calling user a CONNECT, NOTIFY, INFORMATION or PROGRESS message containing a Redirection number information element with the presentation indicator set to "presentation allowed", the numbering identification field set to "ISDN numbering plan (ITU-T Recommendation E.164 [8])" or "unknown", the type of number field set to "national number", "international number" or "unknown" and the redirection number information provided in the number digits field.

CDIV_N02_005 **clause 9.2.3.1** **valid** **mandatory**

Ensure that the IUT in the Outgoing Call Proceeding call state N03, to indicate that the presentation of the diverted-to number is not allowed in accordance with the COLR supplementary service of the diverted-to user,

sends an ALERTING, CONNECT, NOTIFY, INFORMATION or PROGRESS message containing a Redirection number information element with the numbering identification field and the type of number field set to "unknown", without a number digits field and the presentation indicator set to "presentation restricted".

CDIV_N02_006 **clause 9.2.3.1** **valid** **mandatory**

Ensure that the IUT in the Call Delivered call state N04, to indicate that the presentation of the diverted-to number is not allowed in accordance with the COLR supplementary service of the diverted-to user,

sends a CONNECT, NOTIFY, INFORMATION or PROGRESS message containing a Redirection number information element with the numbering identification field and the type of number field set to "unknown", without a number digits field and the presentation indicator set to "presentation restricted".

CDIV_N02_007 **clause 9.2.3.1** **valid** **mandatory**

Ensure that the IUT in the Outgoing Call Proceeding call state N03, to indicate that the diverted-to number is not available in accordance with the COLR supplementary service of the diverted-to user,

sends an ALERTING, CONNECT, NOTIFY, INFORMATION or PROGRESS message containing a Redirection number information element with the presentation indicator set to "number not available due to interworking", the numbering identification field and the type of number field set to "unknown" and without a number digits field.

CDIV_N02_008 **clause 9.2.3.1** **valid** **mandatory**

Ensure that the IUT in the Call Delivered call state N04, to indicate that the diverted-to number is not available in accordance with the COLR supplementary service of the diverted-to user,

sends a CONNECT, NOTIFY, INFORMATION or PROGRESS message containing a Redirection number information element with the presentation indicator set to "number not available due to interworking", the numbering identification field and the type of number field set to "unknown" and without a number digits field.

6.2.1.2 Served user procedures

6.2.1.2.1 EN 300 207-1, clause 9.1

6.2.1.2.1.1 Activation

CDIV_N03_<service>_001 **clause 9.1.1.1** **valid** **optional**

Ensure that the IUT in the call state N00, configured for provision of diversion to the whole access, on receipt of a FACILITY message (DCR) containing a Facility information element coded as <service> ActivationDiversion invoke component indicating "individualNumber" in the servedUserNr parameter,

sends a FACILITY message (DCR) containing a Facility information element with a valid <service> ActivationDiversion return result component and,

using the connectionless broadcast transport mechanism, a FACILITY message (DCR) containing a Facility information element with a valid <service> ActivationStatusNotificationDiv invoke component with the servedUserNr parameter set to "allNumbers".

Selection: IUT supports basic access, point-to-multipoint configuration. PICS: R 7.2 [5].

Selection: IUT supports coincident S and T reference point procedures. PICS: R 3.1.

Selection: IUT supports provision of diversion to the whole access. PICS: MC 10.2.

CDIV_N03_<service>_002 **clause 9.1.1.1** **valid** **optional**

Ensure that the IUT in the call state N00, configured for provision of diversion to the whole access, on receipt of a FACILITY message (DCR) containing a Facility information element coded as <service> ActivationDiversion invoke component indicating "allNumbers" in the servedUserNr parameter,

sends a FACILITY message (DCR) containing a Facility information element with a valid <service> ActivationDiversion return result component and,

using the connectionless broadcast transport mechanism, a FACILITY message (DCR) containing a Facility information element with a valid <service> ActivationStatusNotificationDiv invoke component with the servedUserNr parameter set to "allNumbers".

Selection: IUT supports basic access, point-to-multipoint configuration. PICS: R 7.2 [5].

Selection: IUT supports provision of diversion to the whole access. PICS: MC 10.2.

CDIV_N03_<service>_003 **clause 9.1.1.1** **valid** **optional**

Ensure that the IUT in the call state N00, configured for provision of diversion on a per number basis and MSN not provided, on receipt of a FACILITY message (DCR) containing a Facility information element coded as <service> ActivationDiversion invoke component indicating "individualNumber" in the servedUserNr parameter,

sends a FACILITY message (DCR) containing a Facility information element with a valid <service> ActivationDiversion return result component and,

using the connectionless broadcast transport mechanism, a FACILITY message (DCR) containing a Facility information element with a valid <service> ActivationStatusNotificationDiv invoke component with the servedUserNr parameter set to "individualNumber".

Selection: IUT supports basic access, point-to-multipoint configuration. PICS: R 7.2 [2].

Selection: IUT supports coincident S and T reference point procedures. PICS: R 3.1.

Selection: IUT supports provision of diversion on a per number basis. PICS: MC 10.1.

CDIV_N03_<service>_004 **clause 9.1.1.1** **valid** **optional**

Ensure that the IUT in the call state N00, configured for provision of diversion on a per number basis and MSN not provided, on receipt of a FACILITY message (DCR) containing a Facility information element coded as <service> ActivationDiversion invoke component indicating "allNumbers" in the servedUserNr parameter,

sends a FACILITY message (DCR) containing a Facility information element with a valid <service> ActivationDiversion return result component and,

using the connectionless broadcast transport mechanism, a FACILITY message (DCR) containing a Facility information element with a valid <service> ActivationStatusNotificationDiv invoke component with the servedUserNr parameter set to "individualNumber".

- Selection:** IUT supports basic access, point-to-multipoint configuration. PICS: R 7.2 [5].
Selection: IUT supports coincident S and T reference point procedures. PICS: R 3.1.
Selection: IUT supports provision of diversion on a per number basis. PICS: MC 10.1.

CDIV_N03_<service>_005 clause 9.1.1.1 valid optional

Ensure that the IUT in the call state N00, configured for provision of diversion on a per number basis and MSN provided, on receipt of a FACILITY message (DCR) containing a Facility information element coded as <service> ActivationDiversion invoke component indicating "individualNumber" in the servedUserNr parameter,

sends a FACILITY message (DCR) containing a Facility information element with a valid <service> ActivationDiversion return result component and,

using the connectionless broadcast transport mechanism, a FACILITY message (DCR) containing a Facility information element with a valid <service> ActivationStatusNotificationDiv invoke component with the servedUserNr parameter set to "individualNumber".

- Selection:** IUT supports basic access, point-to-multipoint configuration. PICS: R 7.2 [5].
Selection: IUT supports coincident S and T reference point procedures. PICS: R 3.1.
Selection: IUT supports provision of diversion on a per number basis. PICS: MC 10.1.

CDIV_N03_<service>_006 clause 9.1.1.1 inopportune optional

Ensure that the IUT in the call state N00, configured for provision of diversion on a per number basis, subscription option for the use of all numbers is "no" and MSN provided, on receipt of a FACILITY message (DCR) containing a Facility information element coded as <service> ActivationDiversion invoke component indicating "allNumbers" in the servedUserNr parameter,

sends a FACILITY message (DCR) containing a Facility information element with a valid <service> ActivationDiversion return error component indicating "invalidServedUserNr".

- Selection:** IUT supports coincident S and T reference point procedures. PICS: R 3.1.
Selection: IUT supports provision of diversion on a per number basis. PICS: MC 10.1.

CDIV_N03_<service>_007 clause 9.1.1.1 valid optional

Ensure that the IUT in the call state N00, configured for provision of diversion on a per number basis, MSN provided to the access, subscription option for the use of all numbers set to "yes", on receipt of a FACILITY message (DCR) containing a Facility information element coded as <service> ActivationDiversion invoke component indicating "allNumbers" in the servedUserNr parameter,

sends a FACILITY message (DCR) containing a Facility information element with a valid <service> ActivationDiversion return result component and,

using the connectionless broadcast transport mechanism, a FACILITY message (DCR) containing a Facility information element with a valid <service> ActivationStatusNotificationDiv invoke component with the servedUserNr parameter set to "allNumbers".

- Selection:** IUT supports basic access, point-to-multipoint configuration. PICS: R 7.2 [5].
Selection: IUT supports coincident S and T reference point procedures. PICS: R 3.1.
Selection: IUT supports provision of diversion on a per number basis. PICS: MC 10.1.
Selection: IUT supports activation, deactivation, interrogation for all numbers. PICS: MC 11.

CDIV_N03_<service>_008 clause 9.1.1.1 valid optional

Ensure that the IUT in the call state N00, configured for provision of diversion to the whole access, on receipt of a FACILITY message (DCR) containing a Facility information element coded as <service> ActivationDiversion invoke component indicating "individualNumber" in the servedUserNr parameter,

sends a FACILITY message (DCR) containing a Facility information element with a valid <service> ActivationDiversion return result component.

- Selection:** IUT does NOT support basic access, point-to-multipoint configuration. PICS: NOT R 7.2 [5].
Selection: IUT supports coincident S and T reference point procedures. PICS: R 3.1.
Selection: IUT supports provision of diversion to the whole access. PICS: MC 10.2.

CDIV_N03_<service>_009 clause 9.1.1.1 valid optional

Ensure that the IUT in the call state N00, configured for provision of diversion to the whole access, on receipt of a FACILITY message (DCR) containing a Facility information element coded as <service> ActivationDiversion invoke component indicating "allNumbers" in the servedUserNr parameter,

sends a FACILITY message (DCR) containing a Facility information element with a valid <service> ActivationDiversion return result component.

Selection: IUT does NOT support basic access, point-to-multipoint configuration. PICS: NOT R 7.2 [5].

Selection: IUT supports provision of diversion to the whole access. PICS: MC 10.2.

CDIV_N03_<service>_010 clause 9.1.1.1 valid optional

Ensure that the IUT in the call state N00, configured for provision of diversion on a per number basis and MSN not provided to the access, on receipt of a FACILITY message (DCR) containing a Facility information element coded as <service> ActivationDiversion invoke component indicating "individualNumber" in the servedUserNr parameter,

sends a FACILITY message (DCR) containing a Facility information element with a valid <service> ActivationDiversion return result component.

Selection: IUT does NOT support basic access, point-to-multipoint configuration. PICS: NOT R 7.2 [5].

Selection: IUT supports coincident S and T reference point procedures. PICS: R 3.1.

Selection: IUT supports provision of diversion on a per number basis. PICS: MC 10.1.

CDIV_N03_<service>_011 clause 9.1.1.1 valid optional

Ensure that the IUT in the call state N00, configured for provision of diversion on a per number basis and MSN not provided to the access, on receipt of a FACILITY message (DCR) containing a Facility information element coded as <service> ActivationDiversion invoke component indicating "allNumbers" in the servedUserNr parameter,

sends a FACILITY message (DCR) containing a Facility information element with a valid <service> ActivationDiversion return result component.

Selection: IUT does NOT support basic access, point-to-multipoint configuration. PICS: NOT R 7.2 [5].

Selection: IUT supports coincident S and T reference point procedures. PICS: R 3.1.

Selection: IUT supports provision of diversion on a per number basis. PICS: MC 10.1.

CDIV_N03_<service>_012 clause 9.1.1.1 valid optional

Ensure that the IUT in the call state N00, configured for provision of diversion on a per number basis and MSN provided to the access, on receipt of a FACILITY message (DCR) containing a Facility information element coded as <service> ActivationDiversion invoke component indicating "individualNumber" in the servedUserNr parameter,

sends a FACILITY message (DCR) containing a Facility information element with a valid <service> ActivationDiversion return result component.

Selection: IUT does NOT support basic access, point-to-multipoint configuration. PICS: NOT R 7.2 [5].

Selection: IUT supports coincident S and T reference point procedures. PICS: R 3.1.

Selection: IUT supports provision of diversion on a per number basis. PICS: MC 10.1.

CDIV_N03_<service>_013 clause 9.1.1.1 valid optional

Ensure that the IUT in the call state N00, configured for provision of diversion on a per number basis, MSN provided to the access and subscription option for the use of all numbers is "yes", on receipt of a FACILITY message (DCR) containing a Facility information element coded as <service> ActivationDiversion invoke component indicating "allNumbers" in the servedUserNr parameter,

sends a FACILITY message (DCR) containing a Facility information element with a valid <service> ActivationDiversion return result component.

Selection: IUT does NOT support basic access, point-to-multipoint configuration. PICS: NOT R 7.2 [5].

Selection: IUT supports coincident S and T reference point procedures. PICS: R 3.1.

Selection: IUT supports provision of diversion on a per number basis. PICS: MC 10.1.

Selection: IUT supports activation, deactivation, interrogation for all numbers. PICS: MC 11.

CDIV_N03_<service>_014 clause 9.1.1.2 inopportune mandatory

Ensure that the IUT in the call state N00 on receipt of a FACILITY message (DCR) containing a Facility information element coded as <service> ActivationDiversion invoke component and if the requested call forwarding supplementary service has not been subscribed to for the indicated basic service,

sends a FACILITY message (DCR) containing a Facility information element with a valid <service> ActivationDiversion return error component indicating "notSubscribed".

CDIV_N03_<service>_015 clause 9.1.1.2 inopportune mandatory

Ensure that the IUT in the call state N00 on receipt of a FACILITY message (DCR) containing a Facility information element coded as <service> ActivationDiversion invoke component and if the requested call forwarding supplementary service is not available for the indicated basic service,

sends a FACILITY message (DCR) containing a Facility information element with a valid <service> ActivationDiversion return error component indicating "notAvailable".

CDIV_N03_<service>_016 clause 9.1.1.2 inopportune mandatory

Ensure that the IUT in the call state N00 on receipt of a FACILITY message (DCR) containing a Facility information element coded as <service> ActivationDiversion invoke component and if the ISDN number provided to identify the served user is not a valid number,

sends a FACILITY message (DCR) containing a Facility information element with a valid <service> ActivationDiversion return error component indicating "invalidServedUserNr".

CDIV_N03_<service>_017 clause 9.1.1.2 inopportune mandatory

Ensure that the IUT in the call state N00 on receipt of a FACILITY message (DCR) containing a Facility information element coded as <service> ActivationDiversion invoke component and if the provision of the call forwarding supplementary service activation is constrained by an interactions procedure,

sends a FACILITY message (DCR) containing a Facility information element with a valid <service> ActivationDiversion return error component indicating "supplementaryServiceInteractionNotAllowed".

CDIV_N03_<service>_018 clause 9.1.1.2 inopportune mandatory

Ensure that the IUT in the call state N00 on receipt of a FACILITY message (DCR) containing a Facility information element coded as <service> ActivationDiversion invoke component and if the served user has not subscribed to the basic service for which the call forwarding supplementary service was requested,

sends a FACILITY message (DCR) containing a Facility information element with a valid <service> ActivationDiversion return error component indicating "basicServiceNotProvided".

CDIV_N03_<service>_019 clause 9.1.1.2 inopportune mandatory

Ensure that the IUT in the call state N00 on receipt of a FACILITY message (DCR) containing a Facility information element coded as <service> ActivationDiversion invoke component and if the resources required to perform adequately the requested call forwarding supplementary service are not available,

sends a FACILITY message (DCR) containing a Facility information element with a valid <service> ActivationDiversion return error component indicating "resourceUnavailable".

CDIV_N03_<service>_020 clause 9.1.1.2 inopportune mandatory

Ensure that the IUT in the call state N00 on receipt of a FACILITY message (DCR) containing a Facility information element coded as <service> ActivationDiversion invoke component and if the indicated forwarded-to number cannot be accepted,

sends a FACILITY message (DCR) containing a Facility information element with a valid <service> ActivationDiversion return error component indicating "InvalidDivertedToNr".

CDIV_N03_<service>_021 clause 9.1.1.2 inopportune mandatory

Ensure that the IUT in the call state N00 on receipt of a FACILITY message (DCR) containing a Facility information element coded as <service> ActivationDiversion invoke component and if the indicated forwarded-to number identifies a special service number and forwarding is prohibited to this special service number,

sends a FACILITY message (DCR) containing a Facility information element with a valid <service> ActivationDiversion return error component indicating "specialServiceNr".

CDIV_N03_<service>_022 clause 9.1.1.2 inopportune mandatory

Ensure that the IUT in the call state N00 on receipt of a FACILITY message (DCR) containing a Facility information element coded as <service> ActivationDiversion invoke component and if the indicated forwarded-to number is identical to the ISDN number identifying the served user,

sends a FACILITY message (DCR) containing a Facility information element with a valid <service> ActivationDiversion return error component indicating "diversionToServedUserNr".

CDIV_N03_<service>_023 clause 9.1.1.2 inopportune mandatory

Ensure that the IUT in the call state N00, having sent a <service> ActivationDiversion component (return result or return error), on receipt of a FACILITY message (DCR) containing a Facility information element with a reject component,

takes no action.

CDIV_N03_<service>_024 clauses 9.1.1.2 and 10.6 inopportune optional

Ensure that the IUT in the call state N00, configured for provision of diversion to the whole access, on receipt of a FACILITY message (DCR) containing a Facility information element coded as <service> ActivationDiversion invoke component indicating "individualNumber" in the servedUserNr parameter,

sends a FACILITY message (DCR) containing a Facility information element with a valid <service> ActivationDiversion return error component indicating "invalidServedUserNr".

Selection: T reference point procedures supported. PICS: R 3.2.

CDIV_N03_<service>_025 clauses 9.1.1.1 and 10.7 valid optional

Ensure that the IUT in the call state N00, configured for provision of diversion on DDI ranges, on receipt of a FACILITY message (DCR) containing a Facility information element coded as <service> ActivationDiversion invoke component indicating "individualNumber" and identifying a DDI range in the servedUserNr parameter,

sends a FACILITY message (DCR) containing a Facility information element with a valid <service> ActivationDiversion return result component.

Selection: T reference point procedures supported. PICS: R 3.2.

Selection: IUT supports provision of diversion on DDI ranges. PICS: MC 10.3.

CDIV_N03_<service>_026 clauses 9.1.1.2 and 10.7 inopportune optional

Ensure that the IUT in the call state N00, configured for provision of diversion on DDI ranges, on receipt of a FACILITY message (DCR) containing a Facility information element coded as <service> ActivationDiversion invoke component indicating "individualNumber" and not identifying a DDI range in the servedUserNr parameter,

sends a FACILITY message (DCR) containing a Facility information element with a valid <service> ActivationDiversion return error component indicating "invalidServedUserNr".

Selection: T reference point procedures supported. PICS: R 3.2.

Selection: IUT supports provision of diversion on DDI ranges. PICS: MC 10.3.

CDIV_N03_<service>_027 clauses 9.1.1.2 and 10.7 inopportune optional

Ensure that the IUT in the call state N00, configured for provision of diversion on DDI ranges and subscription option "Activation, deactivation and interrogation for all ISDN-numbers on the same access" is "no", on receipt of a FACILITY message (DCR) containing a Facility information element coded as <service> ActivationDiversion invoke component indicating "allNumbers" in the servedUserNr parameter,

sends a FACILITY message (DCR) containing a Facility information element with a valid <service> ActivationDiversion return error component indicating "invalidServedUserNr".

Selection: T reference point procedures supported. PICS: R 3.2.

Selection: IUT supports provision of diversion on DDI ranges. PICS: MC 10.3.

CDIV_N03_<service>_028 **clauses 9.1.1.1 and 10.7** **valid** **optional**

Ensure that the IUT in the call state N00, configured for provision of diversion on DDI ranges, and subscription option "Activation, deactivation and interrogation for all ISDN-numbers on the same access" is "yes", on receipt of a FACILITY message (DCR) containing a Facility information element coded as <service> ActivationDiversion invoke component indicating "allNumbers" in the servedUserNr parameter,

sends a FACILITY message (DCR) containing a Facility information element with a valid <service> ActivationDiversion return result component.

Selection: T reference point procedures supported. PICS: R 3.2.

Selection: IUT supports provision of diversion on DDI ranges. PICS: MC 10.3.

Selection: IUT supports activation, deactivation, interrogation for all numbers. PICS: MC 11.

6.2.1.2.1.2 Deactivation

CDIV_N04_<service>_001 **clause 9.1.2.1** **valid** **optional**

Ensure that the IUT in the call state N00, configured for subscription to the whole access, on receipt of a FACILITY message (DCR) containing a Facility information element coded as <service> DeactivationDiversion invoke component indicating "individualNumber" in the servedUserNr parameter,

sends a FACILITY message (DCR) containing a Facility information element with a valid <service> DeactivationDiversion return result component and,

using the connectionless broadcast transport mechanism, a FACILITY message (DCR) containing a Facility information element with a valid <service> DeactivationStatusNotificationDiv invoke component with the servedUserNr parameter set to "allNumbers".

Selection: IUT supports basic access, point-to-multipoint configuration. PICS: R 7.2 [2].

Selection: IUT supports coincident S and T reference point procedures. PICS: R 3.1.

Selection: IUT supports provision of diversion to the whole access. PICS: MC 10.2.

CDIV_N04_<service>_002 **clause 9.1.2.1** **valid** **optional**

Ensure that the IUT in the call state N00, configured for subscription to the whole access, on receipt of a FACILITY message (DCR) containing a Facility information element coded as <service> DeactivationDiversion invoke component indicating "allNumbers" in the servedUserNr parameter,

sends a FACILITY message (DCR) containing a Facility information element with a valid <service> DeactivationDiversion return result component and,

using the connectionless broadcast transport mechanism, a FACILITY message (DCR) containing a Facility information element with a valid <service> DeactivationStatusNotificationDiv invoke component with the servedUserNr parameter set to "allNumbers".

Selection: IUT supports basic access, point-to-multipoint configuration. PICS: R 7.2 [2].

Selection: IUT supports provision of diversion to the whole access. PICS: MC 10.2.

CDIV_N04_<service>_003 **clause 9.1.2.1** **valid** **optional**

Ensure that the IUT in the call state N00, configured for provision of diversion on a per number basis and MSN not provided to the access, on receipt of a FACILITY message (DCR) containing a Facility information element coded as <service> DeactivationDiversion invoke component indicating "individualNumber" in the servedUserNr parameter,

sends a FACILITY message (DCR) containing a Facility information element with a valid <service> DeactivationDiversion return result component and,

using the connectionless broadcast transport mechanism, a FACILITY message (DCR) containing a Facility information element with a valid <service> DeactivationStatusNotificationDiv invoke component with the servedUserNr parameter set to "individualNumber".

Selection: IUT supports basic access, point-to-multipoint configuration. PICS: R 7.2 [5].

Selection: IUT supports coincident S and T reference point procedures. PICS: R 3.1.

Selection: IUT supports provision of diversion on a per number basis. PICS: MC 10.1.

CDIV_N04_<service>_004 **clause 9.1.2.1** **valid** **optional**

Ensure that the IUT in the call state N00, configured for provision of diversion on a per number basis and MSN not provided to the access, on receipt of a FACILITY message (DCR) containing a Facility information element coded as <service> DeactivationDiversion invoke component indicating "allNumbers" in the servedUserNr parameter,

sends a FACILITY message (DCR) containing a Facility information element with a valid <service> DeactivationDiversion return result component and,

using the connectionless broadcast transport mechanism, a FACILITY message (DCR) containing a Facility information element with a valid <service> DeactivationStatusNotificationDiv invoke component with the servedUserNr parameter set to "individualNumber".

Selection: IUT supports basic access, point-to-multipoint configuration. PICS: R 7.2 [5].

Selection: IUT supports coincident S and T reference point procedures. PICS: R 3.1.

Selection: IUT supports provision of diversion on a per number basis. PICS: MC 10.1.

CDIV_N04_<service>_005 **clause 9.1.2.1** **valid** **optional**

Ensure that the IUT in the call state N00, configured for provision of diversion on a per number basis and MSN provided to the access, on receipt of a FACILITY message (DCR) containing a Facility information element coded as <service> DeactivationDiversion invoke component indicating "individualNumber" in the servedUserNr parameter,

sends a FACILITY message (DCR) containing a Facility information element with a valid <service> DeactivationDiversion return result component and,

using the connectionless broadcast transport mechanism, a FACILITY message (DCR) containing a Facility information element with a valid <service> DeactivationStatusNotificationDiv invoke component with the servedUserNr parameter set to "individualNumber".

Selection: IUT supports basic access, point-to-multipoint configuration. PICS: R 7.2 [5].

Selection: IUT supports coincident S and T reference point procedures. PICS: R 3.1.

Selection: IUT supports provision of diversion on a per number basis. PICS: MC 10.1.

CDIV_N04_<service>_006 **clause 9.1.2.1** **inopportune** **optional**

Ensure that the IUT in the call state N00, configured for provision of diversion on a per number basis, MSN provided to the access and subscription option for the use of all numbers set to "no", on receipt of a FACILITY message (DCR) containing a Facility information element coded as <service> DeactivationDiversion invoke component indicating "allNumbers" in the servedUserNr parameter,

sends a FACILITY message (DCR) containing a Facility information element with a valid <service> DeactivationDiversion return error component indicating "invalidServedUserNr".

Selection: IUT supports coincident S and T reference point procedures. PICS: R 3.1.

Selection: IUT supports provision of diversion on a per number basis. PICS: MC 10.1.

CDIV_N04_<service>_007 **clause 9.1.2.1** **valid** **optional**

Ensure that the IUT in the call state N00, configured for provision of diversion on a per number basis, MSN provided to the access and subscription option for the use of all numbers set to "yes", on receipt of a FACILITY message (DCR) containing a Facility information element coded as <service> DeactivationDiversion invoke component indicating "allNumbers" in the servedUserNr parameter,

sends a FACILITY message (DCR) containing a Facility information element with a valid <service> DeactivationDiversion return result component and,

using the connectionless broadcast transport mechanism, a FACILITY message (DCR) containing a Facility information element with a valid <service> DeactivationStatusNotificationDiv invoke component with the servedUserNr parameter set to "allNumbers".

Selection: IUT supports basic access, point-to-multipoint configuration. PICS: R 7.2 [5].

Selection: IUT supports coincident S and T reference point procedures. PICS: R 3.1.

Selection: IUT supports provision of diversion on a per number basis. PICS: MC 10.1.

Selection: IUT supports activation, deactivation, interrogation for all numbers. PICS: MC 11.

CDIV_N04_<service>_008 clause 9.1.2.1 valid optional

Ensure that the IUT in the call state N00, configured for subscription to the whole access, on receipt of a FACILITY message (DCR) containing a Facility information element coded as <service> DeactivationDiversion invoke component indicating "individualNumber" in the servedUserNr parameter,

sends a FACILITY message (DCR) containing a Facility information element with a valid <service> DeactivationDiversion return result component.

Selection: IUT does NOT support basic access, point-to-multipoint configuration. PICS: NOT R 7.2 [5].

Selection: IUT supports coincident S and T reference point procedures. PICS: R 3.1.

Selection: IUT supports provision of diversion to the whole access. PICS: MC 10.2.

CDIV_N04_<service>_009 clause 9.1.2.1 valid optional

Ensure that the IUT in the call state N00, configured for subscription to the whole access on receipt of a FACILITY message (DCR) containing a Facility information element coded as <service> DeactivationDiversion invoke component indicating "allNumbers" in the servedUserNr parameter,

sends a FACILITY message (DCR) containing a Facility information element with a valid <service> DeactivationDiversion return result component.

Selection: IUT does NOT support basic access, point-to-multipoint configuration. PICS: NOT R 7.2 [5].

Selection: IUT supports provision of diversion to the whole access. PICS: MC 10.2.

CDIV_N04_<service>_010 clause 9.1.2.1 valid optional

Ensure that the IUT in the call state N00, configured for provision of diversion on a per number basis and MSN not provided to the access, on receipt of a FACILITY message (DCR) containing a Facility information element coded as <service> DeactivationDiversion invoke component indicating "individualNumber" in the servedUserNr parameter,

sends a FACILITY message (DCR) containing a Facility information element with a valid <service> DeactivationDiversion return result component.

Selection: IUT does NOT support basic access, point-to-multipoint configuration. PICS: NOT R 7.2 [5].

Selection: IUT supports coincident S and T reference point procedures. PICS: R 3.1.

Selection: IUT supports provision of diversion on a per number basis. PICS: MC 10.1.

CDIV_N04_<service>_011 clause 9.1.2.1 valid optional

Ensure that the IUT in the call state N00 configured for provision of diversion on a per number basis and MSN not provided to the access, on receipt of a FACILITY message (DCR) containing a Facility information element coded as <service> DeactivationDiversion invoke component indicating "allNumbers" in the servedUserNr parameter,

sends a FACILITY message (DCR) containing a Facility information element with a valid <service> DeactivationDiversion return result component.

Selection: IUT does NOT support basic access, point-to-multipoint configuration. PICS: NOT R 7.2 [5].

Selection: IUT supports coincident S and T reference point procedures. PICS: R 3.1.

Selection: IUT supports provision of diversion on a per number basis. PICS: MC 10.1.

CDIV_N04_<service>_012 clause 9.1.2.1 valid optional

Ensure that the IUT in the call state N00, configured for provision of diversion on a per number basis and MSN provided to the access, on receipt of a FACILITY message (DCR) containing a Facility information element coded as <service> DeactivationDiversion invoke component indicating "individualNumber" in the servedUserNr parameter,

sends a FACILITY message (DCR) containing a Facility information element with a valid <service> DeactivationDiversion return result component.

Selection: IUT does NOT support basic access, point-to-multipoint configuration. PICS: NOT R 7.2 [5].

Selection: IUT supports coincident S and T reference point procedures. PICS: R 3.1.

Selection: IUT supports provision of diversion on a per number basis. PICS: MC 10.1.

CDIV_N04_<service>_013 clause 9.1.2.1 valid optional

Ensure that the IUT in the call state N00, configured for provision of diversion on a per number basis, MSN provided to the access and subscription option for the use of all numbers set to "yes", on receipt of a FACILITY message (DCR) containing a Facility information element coded as <service> DeactivationDiversion invoke component indicating "allNumbers" in the servedUserNr parameter,

sends a FACILITY message (DCR) containing a Facility information element with a valid <service> DeactivationDiversion return result component.

Selection: IUT does NOT support basic access, point-to-multipoint configuration. PICS: NOT R 7.2 [5].

Selection: IUT supports coincident S and T reference point procedures. PICS: R 3.1.

Selection: IUT supports provision of diversion on a per number basis. PICS: MC 10.1.

Selection: IUT supports activation, deactivation, interrogation for all numbers. PICS: MC 11.

CDIV_N04_<service>_014 clause 9.1.2.2 inopportune mandatory

Ensure that the IUT in the call state N00 on receipt of a FACILITY message (DCR) containing a Facility information element coded as <service> DeactivationDiversion invoke component and if the requested call forwarding supplementary service has not been subscribed to for the indicated basic service,

sends a FACILITY message (DCR) containing a Facility information element with a valid <service> DeactivationDiversion return error component indicating "notSubscribed".

CDIV_N04_<service>_015 clause 9.1.2.2 inopportune mandatory

Ensure that the IUT in the call state N00 on receipt of a FACILITY message (DCR) containing a Facility information element coded as <service> DeactivationDiversion invoke component and if the requested call forwarding supplementary service is not available for the indicated basic service,

sends a FACILITY message (DCR) containing a Facility information element with a valid <service> DeactivationDiversion return error component indicating "notAvailable".

CDIV_N04_<service>_016 clause 9.1.2.2 inopportune mandatory

Ensure that the IUT in the call state N00 on receipt of a FACILITY message (DCR) containing a Facility information element coded as <service> DeactivationDiversion invoke component and if the ISDN number provided to identify the served user is not a valid number,

sends a FACILITY message (DCR) containing a Facility information element with a valid <service> DeactivationDiversion return error component indicating "invalidServedUserNr".

CDIV_N04_<service>_017 clause 9.1.2.2 inopportune mandatory

Ensure that the IUT in the call state N00 on receipt of a FACILITY message (DCR) containing a Facility information element coded as <service> DeactivationDiversion invoke component and if none of the requested instances of the service is activated,

sends a FACILITY message (DCR) containing a Facility information element with a valid <service> DeactivationDiversion return error component indicating "notActivated".

CDIV_N04_<service>_018 clause 9.1.2.2 inopportune mandatory

Ensure that the IUT in the call state N00, having sent a <service> DeactivationDiversion component (return result or return error), on receipt of a FACILITY message (DCR) containing a Facility information element with a reject component,

takes no action.

CDIV_N04_<service>_019 clauses 9.1.2.2 and 10.6 inopportune optional

Ensure that the IUT in the call state N00, configured for provision of diversion to the whole access on receipt of a FACILITY message (DCR) containing a Facility information element coded as <service> DeactivationDiversion invoke component indicating "individualNumber" in the servedUserNr parameter,

sends a FACILITY message (DCR) containing a Facility information element with a valid <service> DeactivationDiversion return error component indicating "invalidServedUserNr".

Selection: T reference point procedures supported. PICS: R 3.2.

CDIV_N04_<service>_020 **clauses 9.1.2.1 and 10.7** **valid** **optional**

Ensure that the IUT in the call state N00, configured for provision of diversion on DDI ranges, on receipt of a FACILITY message (DCR) containing a Facility information element coded as <service> DeactivationDiversion invoke component indicating "individualNumber" and identifying a DDI range in the servedUserNr parameter,

sends a FACILITY message (DCR) containing a Facility information element with a valid <service> DeactivationDiversion return result component.

Selection: T reference point procedures supported. PICS: R 3.2.

Selection: IUT supports provision of diversion on DDI ranges. PICS: MC 10.3.

CDIV_N04_<service>_021 **clauses 9.1.2.2 and 10.7** **inopportune** **optional**

Ensure that the IUT in the call state N00, configured for provision of diversion on DDI ranges, on receipt of a FACILITY message (DCR) containing a Facility information element coded as <service> DeactivationDiversion invoke component indicating "individualNumber" and not identifying a DDI range in the servedUserNr parameter,

sends a FACILITY message (DCR) containing a Facility information element with a valid <service> DeactivationDiversion return error component indicating "invalidServedUserNr".

Selection: T reference point procedures supported. PICS: R 3.2.

Selection: IUT supports provision of diversion on DDI ranges. PICS: MC 10.3.

CDIV_N04_<service>_022 **clauses 9.1.2.2 and 10.7** **inopportune** **optional**

Ensure that the IUT in the call state N00, configured for provision of diversion on DDI ranges and subscription option "Activation, deactivation and interrogation for all ISDN-numbers on the same access" is "no", on receipt of a FACILITY message (DCR) containing a Facility information element coded as <service> DeactivationDiversion invoke component indicating "allNumbers" in the servedUserNr parameter,

sends a FACILITY message (DCR) containing a Facility information element with a valid <service> DeactivationDiversion return error component indicating "invalidServedUserNr".

Selection: T reference point procedures supported. PICS: R 3.2.

Selection: IUT supports provision of diversion on DDI ranges. PICS: MC 10.3.

CDIV_N04_<service>_023 **clauses 9.1.2.1 and 10.7** **valid** **optional**

Ensure that the IUT in the call state N00, configured for provision of diversion on DDI ranges, and subscription option "Activation, deactivation and interrogation for all ISDN-numbers on the same access" is "yes", on receipt of a FACILITY message (DCR) containing a Facility information element coded as <service> DeactivationDiversion invoke component indicating "allNumbers" in the servedUserNr parameter,

sends a FACILITY message (DCR) containing a Facility information element with a valid <service> DeactivationDiversion return result component.

Selection: T reference point procedures supported. PICS: R 3.2.

Selection: IUT supports provision of diversion on DDI ranges. PICS: MC 10.3.

Selection: IUT supports activation, deactivation, interrogation for all numbers. PICS: MC 11.

6.2.1.2.1.3 Interrogation - general

CDIV_N05_001 **clause 9.1.3.1** **valid** **optional**

Ensure that the IUT in the call state N00, configured for subscription option activation, deactivation and interrogation for all ISDN numbers on the same access set to "yes", having activated a number of call forwarding supplementary services, on receipt of a FACILITY message (DCR) containing a Facility information element coded as InterrogateServedUserNumbers invoke component,

sends a FACILITY message (DCR) containing a Facility information element with a valid InterrogateServedUserNumbers return result component providing in the ServedUserNumberList parameter the ISDN numbers or DDI range identifiers that have a call forwarding supplementary service associated with themselves.

Selection: IUT supports activation, deactivation, interrogation for all numbers. PICS: MC 11.

CDIV_N05_002 **clause 9.1.3.1** **valid** **optional**

Ensure that the IUT in the call state N00, configured for subscription option activation, deactivation and interrogation for all ISDN numbers on the same access set to "yes", if no activation of a call forwarding supplementary service exists, on receipt of a FACILITY message (DCR) containing a Facility information element coded as InterrogateServedUserNumbers invoke component,

sends a FACILITY message (DCR) containing a Facility information element with a valid InterrogateServedUserNumbers return result component with the size of the ServedUserNumberList parameter set to zero.

Selection: IUT supports activation, deactivation, interrogation for all numbers. PICS: MC 11.

CDIV_N05_003 **clause 9.1.3.2** **inopportune** **mandatory**

Ensure that the IUT in the call state N00, configured for subscription option activation, deactivation and interrogation for all ISDN numbers on the same access set to "no", on receipt of a FACILITY message (DCR) containing a Facility information element coded as InterrogateServedUserNumbers invoke component,

sends a FACILITY message (DCR) containing a Facility information element with a valid InterrogateServedUserNumbers return error component indicating "notSubscribed".

CDIV_N05_004 **clause 9.1.3.2** **inopportune** **mandatory**

Ensure that the IUT in the call state N00 on receipt of a FACILITY message (DCR) containing a Facility information element coded as InterrogateServedUserNumbers invoke component and if the requested call forwarding supplementary service has not been subscribed to,

sends a FACILITY message (DCR) containing a Facility information element with a valid InterrogateServedUserNumbers return error component indicating "notSubscribed".

CDIV_N05_005 **clause 9.1.3.2** **inopportune** **mandatory**

Ensure that the IUT in the call state N00 on receipt of a FACILITY message (DCR) containing a Facility information element coded as InterrogateServedUserNumbers invoke component and if the requested information is not available,

sends a FACILITY message (DCR) containing a Facility information element with a valid InterrogateServedUserNumbers return error component indicating "notAvailable".

CDIV_N05_006 **clause 9.1.3.2** **inopportune** **mandatory**

Ensure that the IUT in the call state N00 on receipt of a FACILITY message (DCR) containing a Facility information element coded as InterrogateServedUserNumbers invoke component and if the data provided by the network exceeds the maximum length allowed for a message,

sends a FACILITY message (DCR) containing a Facility information element with a valid InterrogateServedUserNumbers return error component indicating "notAvailable".

CDIV_N05_007 **clause 9.1.3.2** **inopportune** **mandatory**

Ensure that the IUT in the call state N00, having sent a valid InterrogateServedUserNumbers component, on receipt of a FACILITY message (DCR) containing a Facility information element with a reject component,

takes no action.

6.2.1.2.1.4 Interrogation - service

CDIV_N06_<service>_001 **clause 9.1.4.1** **valid** **optional**

Ensure that the IUT in the call state N00, configured for subscription to the whole access, on receipt of a FACILITY message (DCR) containing a Facility information element coded as <service> InterrogationDiversion invoke component indicating "individualNumber" in the servedUserNr parameter,

sends a FACILITY message (DCR) containing a Facility information element with collected data of the <service> call forwarding service for the whole access in a valid InterrogationDiversion return result component indicating "allNumbers".

Selection: IUT supports coincident S and T reference point procedures. PICS: R 3.1.

Selection: IUT supports provision of diversion to the whole access. PICS: MC 10.2.

CDIV_N06_<service>_002 **clause 9.1.4.1** **valid** **optional**

Ensure that the IUT in the call state N00, configured for subscription to the whole access, on receipt of a FACILITY message (DCR) containing a Facility information element coded as <service> InterrogationDiversion invoke component indicating "allNumbers" in the servedUserNr parameter,

sends a FACILITY message (DCR) containing a Facility information element with collected data of the <service> call forwarding service for the whole access in a valid InterrogationDiversion return result component indicating "allNumbers".

Selection: IUT supports provision of diversion to the whole access. PICS: MC 10.2.

CDIV_N06_<service>_003 **clause 9.1.4.1** **valid** **optional**

Ensure that the IUT in the call state N00, configured for provision of diversion on a per number basis and MSN not provided to the access, on receipt of a FACILITY message (DCR) containing a Facility information element coded as <service> InterrogationDiversion invoke component indicating "individualNumber" in the servedUserNr parameter,

sends a FACILITY message (DCR) containing a Facility information element with collected data of the individual instance of the <service> call forwarding service in a valid InterrogationDiversion return result component indicating "individualNumber".

Selection: IUT supports coincident S and T reference point procedures. PICS: R 3.1.

Selection: IUT supports provision of diversion on a per number basis. PICS: MC 10.1.

CDIV_N06_<service>_004 **clause 9.1.4.1** **valid** **optional**

Ensure that the IUT in the call state N00, configured for provision of diversion on a per number basis and MSN not provided to the access, on receipt of a FACILITY message (DCR) containing a Facility information element coded as <service> InterrogationDiversion invoke component indicating "allNumbers" in the servedUserNr parameter,

sends a FACILITY message (DCR) containing a Facility information element with collected data of the individual instance of the <service> call forwarding service in a valid InterrogationDiversion return result component indicating "individualNumber".

Selection: IUT supports coincident S and T reference point procedures. PICS: R 3.1.

Selection: IUT supports provision of diversion on a per number basis. PICS: MC 10.1.

CDIV_N06_<service>_005 **clause 9.1.4.1** **valid** **optional**

Ensure that the IUT in the call state N00, configured for provision of diversion on a per number basis and MSN provided to the access, on receipt of a FACILITY message (DCR) containing a Facility information element coded as <service> InterrogationDiversion invoke component indicating "individualNumber" in the servedUserNr parameter,

sends a FACILITY message (DCR) containing a Facility information element with collected data of the individual instance of the <service> call forwarding service in a valid InterrogationDiversion return result component indicating "individualNumber".

Selection: IUT supports coincident S and T reference point procedures. PICS: R 3.1.

Selection: IUT supports provision of diversion on a per number basis. PICS: MC 10.1.

CDIV_N06_<service>_006 **clause 9.1.4.1** **inopportune** **optional**

Ensure that the IUT in the call state N00, configured for provision of diversion on a per number basis, MSN provided to the access and subscription option for the use of all numbers set to "no", on receipt of a FACILITY message (DCR) containing a Facility information element coded as <service> InterrogationDiversion invoke component indicating "allNumbers" in the servedUserNr parameter,

sends a FACILITY message (DCR) containing a Facility information element with a valid <service> InterrogationDiversion return error component indicating "invalidServedUserNr".

Selection: IUT supports coincident S and T reference point procedures. PICS: R 3.1.

Selection: IUT supports provision of diversion on a per number basis. PICS: MC 10.1.

CDIV_N06_<service>_007 clause 9.1.4.1 valid optional

Ensure that the IUT in the call state N00, configured for provision of diversion on a per number basis, MSN provided to the access and subscription option for the use of all numbers set to "yes", on receipt of a FACILITY message (DCR) containing a Facility information element coded as <service> InterrogationDiversion invoke component indicating "allNumbers" in the servedUserNr parameter,

sends a FACILITY message (DCR) containing a Facility information element with collected data of the <service> call forwarding service for the whole access in a valid InterrogationDiversion return result component.

Selection: IUT supports coincident S and T reference point procedures. PICS: R 3.1.

Selection: IUT supports provision of diversion on a per number basis. PICS: MC 10.1.

Selection: IUT supports activation, deactivation, interrogation for all numbers. PICS: MC 11.

CDIV_N06_<service>_008 clause 9.1.4.1 valid mandatory

Ensure that the IUT in the call state N00 on receipt of a FACILITY message (DCR) containing a Facility information element coded as <service> InterrogationDiversion invoke component and if no activation of a call forwarding supplementary service exists,

sends a FACILITY message (DCR) containing a Facility information element with a valid <service> InterrogationDiversion return result component with the size of the single IntResultList parameter set to zero.

CDIV_N06_<service>_009 clause 9.1.4.2 inopportune mandatory

Ensure that the IUT in the call state N00 on receipt of a FACILITY message (DCR) containing a Facility information element coded as <service> InterrogationDiversion invoke component and if the requested call forwarding supplementary service has not been subscribed to for any basic service,

sends a FACILITY message (DCR) containing a Facility information element with a valid <service> InterrogationDiversion return error component indicating "notSubscribed".

CDIV_N06_<service>_010 clause 9.1.4.2 inopportune mandatory

Ensure that the IUT in the call state N00 on receipt of a FACILITY message (DCR) containing a Facility information element coded as <service> InterrogationDiversion invoke component and if the requested call forwarding supplementary service is not available for any basic service,

sends a FACILITY message (DCR) containing a Facility information element with a valid <service> InterrogationDiversion return error component indicating "notAvailable".

CDIV_N06_<service>_011 clause 9.1.4.2 inopportune mandatory

Ensure that the IUT in the call state N00 on receipt of a FACILITY message (DCR) containing a Facility information element coded as <service> InterrogationDiversion invoke component and if the data provided by the network exceeds the maximum length allowed for a message,

sends a FACILITY message (DCR) containing a Facility information element with a valid <service> InterrogationDiversion return error component indicating "notAvailable".

CDIV_N06_<service>_012 clause 9.1.4.2 inopportune mandatory

Ensure that the IUT in the call state N00 on receipt of a FACILITY message (DCR) containing a Facility information element coded as <service> InterrogationDiversion invoke component and if the ISDN number provided to identify the served user is not a valid number,

sends a FACILITY message (DCR) containing a Facility information element with a valid <service> InterrogationDiversion return error component indicating "invalidServedUserNr".

CDIV_N06_<service>_013 clause 9.1.4.2 inopportune mandatory

Ensure that the IUT in the call state N00, having sent a valid <service> InterrogationDiversion component (return result or return error), on receipt of a FACILITY message (DCR) containing a Facility information element with a reject component,

takes no action.

CDIV_N06_<service>_014 **clauses 9.1.4.1 and 10.7** **valid** **optional**

Ensure that the IUT in the call state N00, configured for provision of diversion on DDI ranges, on receipt of a FACILITY message (DCR) containing a Facility information element coded as <service> InterrogationDiversion invoke component indicating "individualNumber" identifying a DDI range for which <service> is activated in the servedUserNr parameter,

sends a FACILITY message (DCR) containing a Facility information element with collected data of the individual instance of the <service> call forwarding service in a valid InterrogationDiversion return result component indicating "individualNumber".

Selection: T reference point procedures supported. PICS: R 3.2.

Selection: IUT supports provision of diversion on DDI ranges. PICS: MC 10.3.

CDIV_N06_<service>_015 **clauses 9.1.4.2 and 10.7** **inopportune** **optional**

Ensure that the IUT in the call state N00, configured for provision of diversion on DDI ranges, on receipt of a FACILITY message (DCR) containing a Facility information element coded as <service> InterrogationDiversion invoke component indicating "individualNumber" and not identifying a DDI range

sends a FACILITY message (DCR) containing a Facility information element with a valid <service> InterrogationDiversion return error component indicating "invalidServedUserNr".

Selection: T reference point procedures supported. PICS: R 3.2.

Selection: IUT supports provision of diversion on DDI ranges. PICS: MC 10.3.

CDIV_N06_<service>_016 **clauses 9.1.4.2 and 10.7** **inopportune** **optional**

Ensure that the IUT in the call state N00, configured for provision of diversion on DDI ranges, and subscription option "Activation, deactivation and interrogation for all ISDN-numbers on the same access" is "no", on receipt of a FACILITY message (DCR) containing a Facility information element coded as <service> InterrogationDiversion invoke component indicating "allNumbers"

sends a FACILITY message (DCR) containing a Facility information element with a valid <service> InterrogationDiversion return error component indicating "invalidServedUserNr".

Selection: T reference point procedures supported. PICS: R 3.2.

Selection: IUT supports provision of diversion on DDI ranges. PICS: MC 10.3.

CDIV_N06_<service>_017 **clauses 9.1.4.1 and 10.7** **valid** **optional**

Ensure that the IUT in the call state N00, configured for provision of diversion on DDI ranges, and subscription option "Activation, deactivation and interrogation for all ISDN-numbers on the same access" is "yes" and where <service> is activated for at least one DDI range, on receipt of a FACILITY message (DCR) containing a Facility information element coded as <service> InterrogationDiversion invoke component indicating "allNumbers"

sends a FACILITY message (DCR) containing a Facility information element with collected data of the <service> call forwarding service for the whole access in a valid InterrogationDiversion return result component.

Selection: T reference point procedures supported. PICS: R 3.2.

Selection: IUT supports provision of diversion on DDI ranges. PICS: MC 10.3.

Selection: IUT supports activation, deactivation, interrogation for all numbers. PICS: MC 11.

6.2.1.2.2 EN 300 207-1, clause 9.2.4

6.2.1.2.2.1 CFU

Selection: CFU supported. PICS: R 1.1.2.

CDIV_N07_001 **clause 9.2.4.1.1** **valid** **optional**

Ensure that the IUT, configured for subscription option "served user receives notification that a call has been forwarded" set to "yes, with call offering information", to indicate that a call to the served user is forwarded unconditionally,

sends a FACILITY message (DCR) containing a Facility information element coded as DiversionInformation invoke component.

Selection: IUT supports the procedures associated with the notification to the served user that a call has been forwarded (with call offering information) for CFU. PICS: MC 12.1

CDIV_N07_002 **clause 9.2.4.1.1** **valid** **optional**

Ensure that the IUT, configured for MSN provided and served user's subscription option "served user receives notification that a call has been forwarded" set to "yes, with call offering information", to indicate that a call to the served user is forwarded unconditionally,

sends a FACILITY message (DCR) containing a Facility information element coded as DiversionInformation invoke component and a Called party information element with the type of number field set to "international", "national", "subscriber" or "unknown", the numbering plan field set to "ISDN numbering plan (ITU-T Recommendation E.164 [8])" or "unknown" and the called user's number provided in the number digits field.

Selection: IUT supports coincident S and T reference point procedures. PICS: R 3.1.

Selection: IUT supports the procedures associated with the notification to the served user that a call has been forwarded (with call offering information) for CFU. PICS: MC 12.1

CDIV_N07_003 **clauses 9.2.4.1.1, 10.6 and 10.7** **valid optional**

Ensure that the IUT, configured for subscription option "served user receives notification that a call has been forwarded" set to "yes, with call offering information" and DDI provided, to indicate that a call to the served user is forwarded unconditionally,

sends a FACILITY message (DCR) containing a Facility information element coded as DiversionInformation invoke component and a Called party information element with the type of number field set to "international", "national", "subscriber" or "unknown", the numbering plan field set to "ISDN numbering plan (ITU-T Recommendation E.164 [8])" or "unknown" and the called user's number provided in the number digits field.

Selection: T reference point procedures supported. PICS: R 3.2.

Selection: IUT supports the procedures associated with the notification to the served user that a call has been forwarded (with call offering information) for CFU. PICS: MC 12.1

CDIV_N07_004 **clause 9.2.4.1.1** **valid** **mandatory**

Ensure that the IUT, configured for SUB provided and served user's subscription option "served user receives notification that a call has been forwarded" set to "yes, with call offering information", to indicate that a call to the served user is forwarded unconditionally,

sends a FACILITY message (DCR) containing a Facility information element coded as DiversionInformation invoke component with the servedUserSubaddress parameter set to the served user's subaddress as provided by the Called party subaddress information element.

Selection: IUT supports the procedures associated with the notification to the served user that a call has been forwarded (with call offering information) for CFU. PICS: MC 12.1

CDIV_N07_005 **clause 9.2.4.1.1** **valid** **mandatory**

Ensure that the IUT, configured for CLIP provided and served user's subscription option "served user receives notification that a call has been forwarded" set to "yes, with call offering information", and the presentation of the calling address is not restricted, to indicate that a call to the served user is forwarded unconditionally,

sends a FACILITY message (DCR) containing a Facility information element coded as DiversionInformation invoke component with the callingAddress parameter set to "presentationAllowedAddress" giving the calling party address.

Selection: IUT supports the procedures associated with the notification to the served user that a call has been forwarded (with call offering information) for CFU. PICS: MC 12.1

CDIV_N07_006 **clause 9.2.4.1.1** **valid** **optional**

Ensure that the IUT, configured for CLIP provided and served user's subscription option "served user receives notification that a call has been forwarded" set to "yes, with call offering information", and the presentation of the calling address is restricted, to indicate that a call to the served user is forwarded unconditionally,

sends a FACILITY message (DCR) containing a Facility information element coded as DiversionInformation invoke component with the callingAddress parameter set to "presentationRestricted".

Selection: CLIP supported
Selection: IUT supports the procedures associated with the notification to the served user that a call has been forwarded (with call offering information) for CFU. PICS: MC 12.1

CDIV_N07_007 **clause 9.2.4.1.1** **valid** **optional**

Ensure that the IUT, configured for CLIP provided and served user's subscription option "served user receives notification that a call has been forwarded" set to "yes, with call offering information", and the calling address is not available due to interworking, to indicate that a call to the served user is forwarded unconditionally,

sends a FACILITY message (DCR) containing a Facility information element coded as DiversionInformation invoke component with the callingAddress parameter set to "numberNotAvailableDueToInterworking".

Selection: IUT supports the procedures associated with the notification to the served user that a call has been forwarded (with call offering information) for CFU. PICS: MC 12.1

CDIV_N07_008 **clause 9.2.4.1.1** **valid** **optional**

Ensure that the IUT, configured for subscription option "served user receives notification that a call has been forwarded" set to "yes, with call offering information", and previous diversions have occurred, to indicate that a call to the served user is forwarded unconditionally,

sends a FACILITY message (DCR) containing a Facility information element coded as DiversionInformation invoke component with a valid originalCalledNr parameter, a valid lastDivertingNr parameter and a valid lastDivertingReason parameter.

Selection: IUT supports the procedures associated with the notification to the served user that a call has been forwarded (with call offering information) for CFU. PICS: MC 12.1

CDIV_N07_009 **clause 9.2.4.1.2** **inopportune** **mandatory**

Ensure that the IUT, having sent a valid DiversionInformation invoke component indicating "cfu", on receipt of a FACILITY message (DCR) containing a Facility information element with a reject component,

takes no action.

6.2.1.2.2.2 CFB

Selection: CFB supported. PICS: R 1.1.1.

6.2.1.2.2.2.1 NDUB

CDIV_N08_001 **clause 9.2.4.2.1** **valid** **optional**

Ensure that the IUT, configured for subscription option "served user receives notification that a call has been forwarded" set to "yes, with call offering information", to indicate that a call to the served user is forwarded on network determined user busy,

sends a FACILITY message (DCR) containing a Facility information element coded as DiversionInformation invoke component.

Selection: IUT supports the procedures associated with the notification to the served user that a call has been forwarded (with call offering information) for CFB. PICS: MC 12.2.

CDIV_N08_002 **clause 9.2.4.2.1** **valid** **optional**

Ensure that the IUT, configured for MSN provided and subscription option "served user receives notification that a call has been forwarded" set to "yes, with call offering information", to indicate that a call to the served user is forwarded on network determined user busy,

sends a FACILITY message (DCR) containing a Facility information element coded as DiversionInformation invoke component and a Called party information element with the type of number field set to "international", "national", "subscriber" or "unknown", the numbering plan field set to "ISDN numbering plan (ITU-T Recommendation E.164 [8])" or "unknown" and the called user's number provided in the number digits field.

Selection: IUT supports coincident S and T reference point procedures. PICS: R 3.1.

Selection: IUT supports the procedures associated with the notification to the served user that a call has been forwarded (with call offering information) for CFB. PICS: MC 12.2.

CDIV_N08_003 **clauses 9.2.4.2.1, 10.6 and 10.7** **valid optional**

Ensure that the IUT, configured for subscription option "served user receives notification that a call has been forwarded" set to "yes, with call offering information" and DDI provided, to indicate that a call to the served user is forwarded on network determined user busy,

sends a FACILITY message (DCR) containing a Facility information element coded as DiversionInformation invoke component and a Called party information element with the type of number field set to "international", "national", "subscriber" or "unknown", the numbering plan field set to "ISDN numbering plan (ITU-T Recommendation E.164 [8])" or "unknown" and the called user's number provided in the number digits field.

Selection: T reference point procedures supported. PICS: R 3.2.

Selection: IUT supports the procedures associated with the notification to the served user that a call has been forwarded (with call offering information) for CFB. PICS: MC 12.2.

CDIV_N08_004 **clause 9.2.4.2.1** **valid** **mandatory**

Ensure that the IUT, configured for SUB provided and subscription option "served user receives notification that a call has been forwarded" set to "yes, with call offering information", to indicate that a call to the served user is forwarded on network determined user busy,

sends a FACILITY message (DCR) containing a Facility information element coded as DiversionInformation invoke component with the servedUserSubaddress parameter set to the served user's subaddress as provided by the Called party subaddress information element.

Selection: IUT supports the procedures associated with the notification to the served user that a call has been forwarded (with call offering information) for CFB. PICS: MC 12.2.

CDIV_N08_005 **clause 9.2.4.2.1** **valid** **mandatory**

Ensure that the IUT, configured for CLIP provided and subscription option "served user receives notification that a call has been forwarded" set to "yes, with call offering information", and the presentation of the calling address is not restricted, to indicate that a call to the served user is forwarded on network determined user busy,

sends a FACILITY message (DCR) containing a Facility information element coded as DiversionInformation invoke component with the callingAddress parameter set to "presentationAllowedAddress" giving the calling party address.

Selection: IUT supports the procedures associated with the notification to the served user that a call has been forwarded (with call offering information) for CFB. PICS: MC 12.2.

CDIV_N08_006 **clause 9.2.4.2.1** **valid** **optional**

Ensure that the IUT, configured for CLIP provided and served user's subscription option "served user receives notification that a call has been forwarded" set to "yes, with call offering information", and the presentation of the calling address is restricted, to indicate that a call to the served user is forwarded on network determined user busy,

sends a FACILITY message (DCR) containing a Facility information element coded as DiversionInformation invoke component with the callingAddress parameter set to "presentationRestricted".

Selection: IUT supports the procedures associated with the notification to the served user that a call has been forwarded (with call offering information) for CFB. PICS: MC 12.2.

CDIV_N08_007 **clause 9.2.4.2.1** **valid** **optional**

Ensure that the IUT, configured for CLIP provided and subscription option "served user receives notification that a call has been forwarded" set to "yes, with call offering information", and the presentation of the calling address is not available due to interworking, to indicate that a call to the served user is forwarded on network determined user busy,

sends a FACILITY message (DCR) containing a Facility information element coded as DiversionInformation invoke component with the callingAddress parameter set to "numberNotAvailableDueToInterworking".

Selection: IUT supports the procedures associated with the notification to the served user that a call has been forwarded (with call offering information) for CFB. PICS: MC 12.2.

CDIV_N08_008**clause 9.2.4.2.1****valid****optional**

Ensure that the IUT, configured for subscription option "served user receives notification that a call has been forwarded" set to "yes, with call offering information", and previous diversions have occurred, to indicate that a call to the served user is forwarded on network determined user busy,

sends a FACILITY message (DCR) containing a Facility information element coded as DiversionInformation invoke component with a valid originalCalledNr parameter, a valid lastDivertingNr parameter and a valid lastDivertingReason parameter.

Selection: IUT supports the procedures associated with the notification to the served user that a call has been forwarded (with call offering information) for CFB. PICS: MC 12.2.

CDIV_N08_009**clause 9.2.4.2.2****inopportune****mandatory**

Ensure that the IUT, having sent a valid DiversionInformation invoke component indicating "cfb", on receipt of a FACILITY message (DCR) containing a Facility information element with a reject component,

takes no action.

6.2.1.2.2.2.2

UDUB

CDIV_N09_001**clause 9.2.4.3.1****valid****optional**

Ensure that the IUT, configured for subscription option "served user receives notification that a call has been forwarded" set to "yes, with call offering information" to indicate that a call to the served user is forwarded on user determined user busy,

sends a FACILITY message (DCR) containing a Facility information element coded as DiversionInformation invoke component only containing the diversionReason parameter set to "cfb" and the basicService parameter.

Selection: IUT supports the procedures associated with the notification to the served user that a call has been forwarded (with call offering information) for CFB. PICS: MC 12.2.

CDIV_N09_002**clause 9.2.4.3.1****valid****optional**

Ensure that the IUT, configured for MSN provided and subscription option "served user receives notification that a call has been forwarded" set to "yes, with call offering information", to indicate that a call to the served user is forwarded on user determined user busy,

sends a FACILITY message (DCR) containing a Facility information element coded as DiversionInformation invoke component only containing the diversionReason parameter set to "cfb" and the basicService parameter and a Called party information element with the type of number field set to "international", "national", "subscriber" or "unknown", the numbering plan field set to "ISDN numbering plan (ITU-T Recommendation E.164 [8])" or "unknown" and the called user's number provided in the number digits field.

Selection: IUT supports coincident S and T reference point procedures. PICS: R 3.1.

Selection: IUT supports the procedures associated with the notification to the served user that a call has been forwarded (with call offering information) for CFB. PICS: MC 12.2.

CDIV_N09_003**clauses 9.2.4.3.1, 10.6 and 10.7****valid optional**

Ensure that the IUT, configured for subscription option "served user receives notification that a call has been forwarded" is "yes, with call offering information" and DDI provided, to indicate that a call to the served user is forwarded on user determined user busy,

sends a FACILITY message (DCR) containing a Facility information element coded as DiversionInformation invoke component only containing the diversionReason parameter set to "cfb" and the basicService parameter and a Called party information element with the type of number field set to "international", "national", "subscriber" or "unknown", the numbering plan field set to "ISDN numbering plan (ITU-T Recommendation E.164 [8])" or "unknown" and the called user's number provided in the number digits field.

Selection: T reference point procedures supported. PICS: R 3.2.

Selection: IUT supports the procedures associated with the notification to the served user that a call has been forwarded (with call offering information) for CFB. PICS: MC 12.2.

6.2.1.2.2.3 CFNR

Selection: CFNR supported. PICS: R 1.1.3.

CDIV_N10_001 **clause 9.2.4.4.1** **valid** **optional**

Ensure that the IUT in the Call Received call state N07, configured for subscription option "served user receives notification that a call has been forwarded" is "yes, with call offering information" and MSN not provided, on expiry of timer T-CFNR,

sends a FACILITY message (DCR) containing a Facility information element coded as DiversionInformation invoke component only containing the diversionReason parameter set to "cfnr" and the basicService parameter.

Selection: IUT supports the procedures associated with the notification to the served user that a call has been forwarded (with call offering information) for CFNR. PICS: MC 12.3.

CDIV_N10_002 **clause 9.2.4.4.1** **valid** **optional**

Ensure that the IUT in the Call Received call state N07, configured for subscription option "served user receives notification that a call has been forwarded" is "yes, with call offering information" and MSN provided, on expiry of timer T-CFNR,

sends a FACILITY message (DCR) containing a Facility information element coded as DiversionInformation invoke component only containing the diversionReason parameter set to "cfnr" and the basicService parameter and a Called party information element with the type of number field set to "international", "national", "subscriber" or "unknown", the numbering plan field set to "ISDN numbering plan (ITU-T Recommendation E.164 [8])" or "unknown" and the called user's number provided in the number digits field.

Selection: IUT supports coincident S and T reference point procedures. PICS: R 3.1.

Selection: IUT supports the procedures associated with the notification to the served user that a call has been forwarded (with call offering information) for CFNR. PICS: MC 12.3.

CDIV_N10_003 **clauses 9.2.4.4.1, 10.6 and 10.7** **valid optional**

Ensure that the IUT in the Call Received call state N07, configured for subscription option "served user receives notification that a call has been forwarded" set to "yes, with call offering information" and DDI provided, on expiry of timer T-CFNR,

sends a FACILITY message (DCR) containing a Facility information element coded as DiversionInformation invoke component only containing the diversionReason parameter set to "cfnr" and the basicService parameter and a Called party information element with the type of number field set to "international", "national", "subscriber" or "unknown", the numbering plan field set to "ISDN numbering plan (ITU-T Recommendation E.164 [8])" or "unknown" and the called user's number provided in the number digits field.

Selection: T reference point procedures supported. PICS: R 3.2.

Selection: IUT supports the procedures associated with the notification to the served user that a call has been forwarded (with call offering information) for CFNR. PICS: MC 12.3.

CDIV_N10_004 **clause 9.2.4.4.1** **valid** **optional**

Ensure that the IUT in the Call Received call state N07, on expiry of timer T-CFNR,

sends a DISCONNECT or RELEASE message with cause #31.

Selection: Network provider option "served user call retention on invocation of diversion" is "clear call on invocation". PICS: SC 1.2.

CDIV_N10_005 **clause 9.2.4.4.1** **valid** **optional**

Ensure that the IUT in the Call Received call state N07, after expiry of timer T-CFNR, on receipt of a CONNECT message before receiving an indication that the diverted-to network is in the Call Received, Connect Request or Active states,

sends a CONNECT ACKNOWLEDGE message.

Selection: Network provider option "served user call retention on invocation of diversion" is "retain call until alerting begins at diverted-to user". PICS: SC 1.1.

CDIV_N10_006 **clause 9.2.4.4.1** **valid** **optional**
 Ensure that the IUT in the Call Received call state N07, after expiry of timer T-CFNR and the call has not been offered to the diverted-to user (e.g. network congestion),

takes no action, retaining the call in call state N07.

Selection: Network provider option "served user call retention on invocation of diversion" is "retain call until alerting begins at diverted-to user". PICS: SC 1.1.

CDIV_N10_007 **clause 9.2.4.4.1** **valid** **optional**
 Ensure that the IUT in the Call Received call state N07, after expiry of timer T-CFNR,

takes no action, retaining the call in call state N07.

Selection: Network provider option "served user call retention on invocation of diversion" is "retain call until alerting begins at diverted-to user". PICS: SC 1.1.

CDIV_N10_008 **clause 9.2.4.4.1** **valid** **optional**
 Ensure that the IUT in the Call Received call state N07, after expiry of timer T-CFNR, on receipt of the indication that the diverted-to network is in the Call Received call state N07,

sends a DISCONNECT or RELEASE message with cause #31.

Selection: Network provider option "served user call retention on invocation of diversion" is "retain call until alerting begins at diverted-to user". PICS: SC 1.1.

CDIV_N10_009 **clause 9.2.4.4.1** **valid** **optional**
 Ensure that the IUT in the Call Received call state N07, after expiry of timer T-CFNR, on receipt of the indication that the diverted-to network is in the Connect Request call state N08,

sends a DISCONNECT or RELEASE message with cause #31.

Selection: Network provider option "served user call retention on invocation of diversion" is "retain call until alerting begins at diverted-to user". PICS: SC 1.1.

CDIV_N10_0010 **clause 9.2.4.4.1** **valid** **optional**
 Ensure that the IUT in the Call Received call state N07, after expiry of timer T-CFNR, on receipt of the indication that the diverted-to network is in the Active state,

sends a DISCONNECT or RELEASE message with cause #31.

Selection: Network provider option "served user call retention on invocation of diversion" is "retain call until alerting begins at diverted-to user". PICS: SC 1.1.

CDIV_N10_011 **clause 9.2.4.4.2** **inopportune** **optional**
 Ensure that the IUT, configured for subscription option "served user receives notification that a call has been forwarded" set to "yes, with call offering information", having sent a FACILITY message (DCR) containing a Facility information element including a DiversionInformation invoke component indicating "cfnr", on receipt of a FACILITY message (DCR) containing a Facility information element with a reject component,

takes no action.

Selection: IUT supports the procedures associated with the notification to the served user that a call has been forwarded (with call offering information) for CFNR. PICS: MC 12.3.

6.2.1.2.2.4 CD

Selection: CD supported. PICS: R 1.2.

CDIV_N11_001 **clause 9.2.4.5.1** **valid** **optional**
 Ensure that the IUT in the Call Received call state N07, on receipt of a FACILITY message containing a Facility information element coded as CallDeflection invoke component,

sends a DISCONNECT message, with cause #31 and containing a Facility information element with a CallDeflection return result component.

Selection: Network provider option "served user call retention on invocation of diversion" is "clear call on invocation". PICS: SC 2.2.

CDIV_N11_002 **clause 9.2.4.5.1** **valid** **optional**

Ensure that the IUT in the Incoming Call Proceeding call state N09, on receipt of a FACILITY message containing a Facility information element coded as CallDeflection invoke component,

sends a DISCONNECT message with cause #31 and containing a Facility information element with a CallDeflection return result component.

Selection: Network provider option "served user call retention on invocation of diversion" is "clear call on invocation". PICS: SC 2.2.

CDIV_N11_003 **clause 9.2.4.5.1** **valid** **optional**

Ensure that the IUT in the Overlap Receiving call state N25, on receipt of a FACILITY message containing a Facility information element coded as CallDeflection invoke component,

sends a DISCONNECT message with cause #31 and containing a Facility information element with a CallDeflection return result component.

Selection: Network provider option "served user call retention on invocation of diversion" is "clear call on invocation". PICS: SC 2.2.

CDIV_N11_004 **clause 9.2.4.5.1** **valid** **optional**

Ensure that the IUT in the Call Received call state N07, on receipt of a FACILITY message containing a Facility information element coded as CallDeflection invoke component,

sends a FACILITY message with a Facility information element coded as CallDeflection return result component.

Selection: Network provider option "served user call retention on invocation of diversion" is "retain call until alerting begins at diverted-to user". PICS: SC 2.1.

CDIV_N11_005 **clauses 9.2.4.5.1 and 10.6** **valid** **optional**

Ensure that the IUT in the Call Received call state N07, configured for DDI provided, on receipt of a FACILITY message containing a Facility information element coded as CallDeflection invoke component,

sends a FACILITY message containing a correctly coded Called party number information element including the called user's number and a Facility information element coded as CallDeflection return result component.

Selection: Network provider option "served user call retention on invocation of diversion" is "retain call until alerting begins at diverted-to user", PICS: SC 2.1.

Selection: T reference point procedures supported. PICS: R 3.2.

CDIV_N11_006 **clause 9.2.4.5.1** **valid** **optional**

Ensure that the IUT in the Incoming Call Proceeding call state N09, on receipt of a FACILITY message containing a Facility information element coded as CallDeflection invoke component,

sends a FACILITY message containing a Facility information element coded as CallDeflection return result component.

Selection: Network provider option "served user call retention on invocation of diversion" is "retain call until alerting begins at diverted-to user". PICS: SC 2.1.

CDIV_N11_007 **clauses 9.2.4.5.1 and 10.6** **valid** **optional**

Ensure that the IUT in the Incoming Call Proceeding call state N09, configured for DDI provided, on receipt of a FACILITY message containing a Facility information element coded as CallDeflection invoke component,

sends a FACILITY message containing a correctly coded Called party number information element including the called user's number and a Facility information element coded as CallDeflection return result component.

Selection: Network provider option "served user call retention on invocation of diversion" is "retain call until alerting begins at diverted-to user", PICS: SC 2.1.

Selection: T reference point procedures supported. PICS: R 3.2.

CDIV_N11_008 **clause 9.2.4.5.1** **valid** **optional**
 Ensure that the IUT in the Overlap Receiving call state N25, on receipt of a FACILITY message containing a Facility information element coded as CallDeflection invoke component,

sends a FACILITY message containing a Facility information element coded as CallDeflection return result component.

Selection: Network provider option "served user call retention on invocation of diversion" is "retain call until alerting begins at diverted-to user". PICS: SC 2.1.

CDIV_N11_009 **clauses 9.2.4.5.1 and 10.6** **valid** **optional**
 Ensure that the IUT in the Overlap Receiving call state N25, configured for DDI provided, on receipt of a FACILITY message containing a Facility information element coded as CallDeflection invoke component,

sends a FACILITY message containing a correctly coded Called party number information element including the called user's number and a Facility information element coded as CallDeflection return result component.

Selection: Network provider option "served user call retention on invocation of diversion" is "retain call until alerting begins at diverted-to user", PICS: SC 2.1.

Selection: T reference point procedures supported. PICS: R 3.2.

CDIV_N11_010 **clause 9.2.4.5.1** **valid** **optional**
 Ensure that the IUT in the Call Received call state N07, on receipt of an ALERTING message before receiving an indication that the deflected call is in the Call Received, Connect Request or Active call state,

takes no action.

Selection: Network provider option "served user call retention on invocation of diversion" is "retain call until alerting begins at diverted-to user". PICS: SC 2.1.

CDIV_N11_011 **clause 9.2.4.5.1** **valid** **optional**
 Ensure that the IUT in the Incoming Call Proceeding call state N09, on receipt of an ALERTING message before receiving an indication that the deflected call is in the Call Received, Connect Request or Active call states,

takes no action.

Selection: Network provider option "served user call retention on invocation of diversion" is "retain call until alerting begins at diverted-to user". PICS: SC 2.1.

CDIV_N11_012 **clause 9.2.4.5.1** **valid** **optional**
 Ensure that the IUT in the Overlap Receiving call state N25, on receipt of an ALERTING message before receiving an indication that the deflected call is in the Call Received, Connect Request or Active call states,

takes no action.

Selection: Network provider option "served user call retention on invocation of diversion" is "retain call until alerting begins at diverted-to user". PICS: SC 2.1.

CDIV_N11_013 **clause 9.2.4.5.1** **valid** **optional**
 Ensure that the IUT in the Call Received call state N07, on receipt of the indication that the diverted-to network is in the Call Received call state N07 and if the call to the served user is deflected,

sends a DISCONNECT or RELEASE message with cause #31.

Selection: Network provider option "served user call retention on invocation of diversion" is "retain call until alerting begins at diverted-to user". PICS: SC 2.1.

CDIV_N11_014 **clause 9.2.4.5.1** **valid** **optional**
 Ensure that the IUT in the Incoming Call Proceeding call state N09, on receipt of the indication that the diverted-to network is in the Call Received call state N07 and if the call to the served user is deflected,

sends a DISCONNECT or RELEASE message with cause #31.

Selection: Network provider option "served user call retention on invocation of diversion" is "retain call until alerting begins at diverted-to user". PICS: SC 2.1.

CDIV_N11_015 **clause 9.2.4.5.1** **valid** **optional**
Ensure that the IUT in the Overlap Receiving call state N25, on receipt of the indication that the diverted-to network is in the Call Received call state N07 and if the call to the served user is deflected,

sends a DISCONNECT or RELEASE message with cause #31.

Selection: Network provider option "served user call retention on invocation of diversion" is "retain call until alerting begins at diverted-to user". PICS: SC 2.1.

CDIV_N11_016 **clause 9.2.4.5.1** **valid** **optional**
Ensure that the IUT in the Call Received call state N07, on receipt of the indication that the diverted-to network is in the Connect Request call state N08 and if the call to the served user is deflected,

sends a DISCONNECT or RELEASE message with cause #31.

Selection: Network provider option "served user call retention on invocation of diversion" is "retain call until alerting begins at diverted-to user". PICS: SC 2.1.

CDIV_N11_017 **clause 9.2.4.5.1** **valid** **optional**
Ensure that the IUT in the Incoming Call Proceeding call state N09, on receipt of the indication that the diverted-to network is in the Connect Request call state N08 and if the call to the served user is deflected,

sends a DISCONNECT or RELEASE message with cause #31.

Selection: Network provider option "served user call retention on invocation of diversion" is "retain call until alerting begins at diverted-to user". PICS: SC 2.1.

CDIV_N11_018 **clause 9.2.4.5.1** **valid** **optional**
Ensure that the IUT in the Overlap Receiving call state N25, on receipt of the indication that the diverted-to network is in the Connect Request call state N08 and if the call to the served user is deflected,

sends a DISCONNECT or RELEASE message with cause #31.

Selection: Network provider option "served user call retention on invocation of diversion" is "retain call until alerting begins at diverted-to user". PICS: SC 2.1.

CDIV_N11_019 **clause 9.2.4.5.1** **valid** **optional**
Ensure that the IUT in the Call Received call state N07, on receipt of the indication that the diverted-to network is in the Active state and if the call to the served user is deflected,

sends a DISCONNECT or RELEASE message with cause #31.

Selection: Network provider option "served user call retention on invocation of diversion" is "retain call until alerting begins at diverted-to user". PICS: SC 2.1.

CDIV_N11_020 **clause 9.2.4.5.1** **valid** **optional**
Ensure that the IUT in the Incoming Call Proceeding call state N09, on receipt of the indication that the diverted-to network is in the Active state and if the call to the served user is deflected,

sends a DISCONNECT or RELEASE message with cause #31.

Selection: Network provider option "served user call retention on invocation of diversion" is "retain call until alerting begins at diverted-to user". PICS: SC 2.1.

CDIV_N11_021 **clause 9.2.4.5.1** **valid** **optional**
Ensure that the IUT in the Overlap Receiving call state N25, on receipt of the indication that the diverted-to network is in the Active state and if the call to the served user is deflected,

sends a DISCONNECT or RELEASE message with cause #31.

Selection: Network provider option "served user call retention on invocation of diversion" is "retain call until alerting begins at diverted-to user". PICS: SC 2.1.

CDIV_N11_022 **clause 9.2.4.5.1** **valid** **optional**

Ensure that the IUT in the Call Received call state N07, on receipt of a CONNECT message before receiving an indication that the deflected call is in the Call Received, Connect Request or Active call state and if the call to the served user is deflected,

sends a CONNECT ACKNOWLEDGE message.

Selection: Network provider option "served user call retention on invocation of diversion" is "retain call until alerting begins at diverted-to user". PICS: SC 2.1.

CDIV_N11_023 **clause 9.2.4.5.1** **valid** **optional**

Ensure that the IUT in the Incoming Call Proceeding call state N09, on receipt of a CONNECT message before receiving an indication that the deflected call is in the Call Received, Connect Request or Active call state and if the call to the served user is deflected,

sends a CONNECT ACKNOWLEDGE message.

Selection: Network provider option "served user call retention on invocation of diversion" is "retain call until alerting begins at diverted-to user". PICS: SC 2.1.

CDIV_N11_024 **clause 9.2.4.5.1** **valid** **optional**

Ensure that the IUT in the Overlap Receiving call state N25, on receipt of a CONNECT message before receiving an indication that the deflected call is in the Call Received, Connect Request or Active call state and if the call to the served user is deflected,

sends a CONNECT ACKNOWLEDGE message.

Selection: Network provider option "served user call retention on invocation of diversion" is "retain call until alerting begins at diverted-to user". PICS: SC 2.1.

CDIV_N11_025 **clause 9.2.4.5.2** **inopportune** **mandatory**

Ensure that the IUT in the Call Received call state N07, on receipt of a FACILITY message containing a Facility information element coded as CallDeflection invoke component and if the call deflecting supplementary service has not been subscribed to for the indicated basic service,

sends a FACILITY message containing a Facility information element with a valid CallDeflection return error component indicating "notSubscribed".

CDIV_N11_026 **clause 9.2.4.5.2** **inopportune** **mandatory**

Ensure that the IUT in the Call Received call state N07, on receipt of a FACILITY message containing a Facility information element coded as CallDeflection invoke component and if the call deflecting supplementary service is not available for the indicated basic service,

sends a FACILITY message containing a Facility information element with a valid CallDeflection return error component indicating "notAvailable".

CDIV_N11_027 **clause 9.2.4.5.2** **inopportune** **mandatory**

Ensure that the IUT in the Call Received call state N07, on receipt of a FACILITY message containing a Facility information element coded as CallDeflection invoke component and if the provision of the call deflection supplementary service activation is constrained by an interactions procedure,

sends a FACILITY message containing a Facility information element with a valid CallDeflection return error component indicating "supplementaryServiceInteractionNotAllowed".

CDIV_N11_028 **clause 9.2.4.5.2** **inopportune** **mandatory**

Ensure that the IUT in the Call Received call state N07, on receipt of a FACILITY message containing a Facility information element coded as CallDeflection invoke component and if the indicated deflected-to number cannot be accepted,

sends a FACILITY message containing a Facility information element with a valid CallDeflection return error component indicating "InvalidDivertedToNr".

CDIV_N11_029 **clause 9.2.4.5.2** **inopportune** **mandatory**

Ensure that the IUT in the Call Received call state N07, on receipt of a FACILITY message containing a Facility information element coded as CallDeflection invoke component and if the indicated deflected-to number identifies a special service number and forwarding is prohibited to this special service number,

sends a FACILITY message containing a Facility information element with a valid CallDeflection return error component indicating "specialServiceNr".

CDIV_N11_030 **clause 9.2.4.5.2** **inopportune** **mandatory**

Ensure that the IUT in the Call Received call state N07, on receipt of a FACILITY message containing a Facility information element coded as CallDeflection invoke component and if the indicated deflected-to number is identical to the ISDN number identifying the served user,

sends a FACILITY message containing a Facility information element with a valid CallDeflection return error component indicating "diversionToServedUserNr".

CDIV_N11_031 **clause 9.2.4.5.2** **inopportune** **mandatory**

Ensure that the IUT in the Call Received call state N07, on receipt of a FACILITY message containing a Facility information element coded as CallDeflection invoke component and if the limit of the number of diversions has already been reached,

sends a FACILITY message containing a Facility information element with a valid CallDeflection return error component indicating "numberOfDiversionsExceeded".

CDIV_N11_032 **clause 9.2.4.5.2** **inopportune** **mandatory**

Ensure that the IUT in the Call Received call state N07, on receipt of a FACILITY message containing a Facility information element coded as CallDeflection invoke component and if the call deflection activation request is overruled by a basic call procedure,

sends a FACILITY message containing a Facility information element with a valid CallDeflection return error component indicating "incomingCallAccepted".

CDIV_N11_033 **clause 9.2.4.5.2** **inopportune** **mandatory**

Ensure that the IUT in the Call Received call state N07, on receipt of a FACILITY message containing a Facility information element coded as CallDeflection invoke component and if the call deflection activation request is received whilst another request is being processed,

sends a FACILITY message containing a Facility information element with a valid CallDeflection return error component indicating "requestAlreadyAccepted".

CDIV_N11_034 **clause 9.2.4.5.2** **inopportune** **mandatory**

Ensure that the IUT in the Incoming Call Proceeding call state N09, on receipt of a FACILITY message containing a Facility information element coded as CallDeflection invoke component and if the call deflecting supplementary service has not been subscribed to for the indicated basic service,

sends a FACILITY message containing a Facility information element with a valid CallDeflection return error component indicating "notSubscribed".

CDIV_N11_035 **clause 9.2.4.5.2** **inopportune** **mandatory**

Ensure that the IUT in the Incoming Call Proceeding call state N09, on receipt of a FACILITY message containing a Facility information element coded as CallDeflection invoke component and if the call deflecting supplementary service is not available for the indicated basic service,

sends a FACILITY message containing a Facility information element with a valid CallDeflection return error component indicating "notAvailable".

CDIV_N11_036 **clause 9.2.4.5.2** **inopportune** **mandatory**

Ensure that the IUT in the Incoming Call Proceeding call state N09, on receipt of a FACILITY message containing a Facility information element coded as CallDeflection invoke component and if the provision of the call deflection supplementary service activation is constrained by an interactions procedure,

sends a FACILITY message containing a Facility information element with a valid CallDeflection return error component indicating "supplementaryServiceInteractionNotAllowed".

CDIV_N11_037 **clause 9.2.4.5.2** **inopportune** **mandatory**
 Ensure that the IUT in the Incoming Call Proceeding call state N09, on receipt of a FACILITY message containing a Facility information element coded as CallDeflection invoke component and if the indicated deflected-to number cannot be accepted,

sends a FACILITY message containing a Facility information element with a valid CallDeflection return error component indicating "InvalidDivertedToNr".

CDIV_N11_038 **clause 9.2.4.5.2** **inopportune** **mandatory**
 Ensure that the IUT in the Incoming Call Proceeding call state N09, on receipt of a FACILITY message containing a Facility information element coded as CallDeflection invoke component and if the indicated deflected-to number identifies a special service number and forwarding is prohibited to this special service number,

sends a FACILITY message containing a Facility information element with a valid CallDeflection return error component indicating "specialServiceNr".

CDIV_N11_039 **clause 9.2.4.5.2** **inopportune** **mandatory**
 Ensure that the IUT in the Incoming Call Proceeding call state N09, on receipt of a FACILITY message containing a Facility information element coded as CallDeflection invoke component and if the indicated deflected-to number is identical to the ISDN number identifying the served user,

sends a FACILITY message containing a Facility information element with a valid CallDeflection return error component indicating "diversionToServedUserNr".

CDIV_N11_040 **clause 9.2.4.5.2** **inopportune** **mandatory**
 Ensure that the IUT in the Incoming Call Proceeding call state N09, on receipt of a FACILITY message containing a Facility information element coded as CallDeflection invoke component and if the limit of the number of diversions has already been reached,

sends a FACILITY message containing a Facility information element with a valid CallDeflection return error component indicating "numberOfDiversionsExceeded".

CDIV_N11_041 **clause 9.2.4.5.2** **inopportune** **mandatory**
 Ensure that the IUT in the Incoming Call Proceeding call state N09, on receipt of a FACILITY message containing a Facility information element coded as CallDeflection invoke component and if the call deflection activation request is overruled by a basic call procedure,

sends a FACILITY message containing a Facility information element with a valid CallDeflection return error component indicating "incomingCallAccepted".

CDIV_N11_042 **clause 9.2.4.5.2** **inopportune** **mandatory**
 Ensure that the IUT in the Incoming Call Proceeding call state N09, on receipt of a FACILITY message containing a Facility information element coded as CallDeflection invoke component and if the call deflection activation request is received whilst another request is being processed,

sends a FACILITY message containing a Facility information element with a valid CallDeflection return error component indicating "requestAlreadyAccepted".

CDIV_N11_043 **clause 9.2.4.5.2** **inopportune** **mandatory**
 Ensure that the IUT in the Overlap Receiving call state N25, on receipt of a FACILITY message containing a Facility information element coded as CallDeflection invoke component and if the call deflecting supplementary service has not been subscribed to for the indicated basic service,

sends a FACILITY message containing a Facility information element with a valid CallDeflection return error component indicating "notSubscribed".

CDIV_N11_044 **clause 9.2.4.5.2** **inopportune** **mandatory**
 Ensure that the IUT in the Overlap Receiving call state N25, on receipt of a FACILITY message containing a Facility information element coded as CallDeflection invoke component and if the call deflecting supplementary service is not available for the indicated basic service,

sends a FACILITY message containing a Facility information element with a valid CallDeflection return error component indicating "notAvailable".

CDIV_N11_045 **clause 9.2.4.5.2** **inopportune** **mandatory**
 Ensure that the IUT in the Overlap Receiving call state N25, on receipt of a FACILITY message containing a Facility information element coded as CallDeflection invoke component and if the provision of the call deflection supplementary service activation is constrained by an interactions procedure,

sends a FACILITY message containing a Facility information element with a valid CallDeflection return error component indicating "supplementaryServiceInteractionNotAllowed".

CDIV_N11_046 **clause 9.2.4.5.2** **inopportune** **mandatory**
 Ensure that the IUT in the Overlap Receiving call state N25, on receipt of a FACILITY message containing a Facility information element coded as CallDeflection invoke component and if the indicated deflected-to number cannot be accepted,

sends a FACILITY message containing a Facility information element with a valid CallDeflection return error component indicating "InvalidDivertedToNr".

CDIV_N11_047 **clause 9.2.4.5.2** **inopportune** **mandatory**
 Ensure that the IUT in the Overlap Receiving call state N25, on receipt of a FACILITY message containing a Facility information element coded as CallDeflection invoke component and if the indicated deflected-to number identifies a special service number and forwarding is prohibited to this special service number,

sends a FACILITY message containing a Facility information element with a valid CallDeflection return error component indicating "specialServiceNr".

CDIV_N11_048 **clause 9.2.4.5.2** **inopportune** **mandatory**
 Ensure that the IUT in the Overlap Receiving call state N25, on receipt of a FACILITY message containing a Facility information element coded as CallDeflection invoke component and if the indicated deflected-to number is identical to the ISDN number identifying the served user,

sends a FACILITY message containing a Facility information element with a valid CallDeflection return error component indicating "diversionToServedUserNr".

CDIV_N11_049 **clause 9.2.4.5.2** **inopportune** **mandatory**
 Ensure that the IUT in the Overlap Receiving call state N25, on receipt of a FACILITY message containing a Facility information element coded as CallDeflection invoke component and if the limit of the number of diversions has already been reached,

sends a FACILITY message containing a Facility information element with a valid CallDeflection return error component indicating "numberOfDiversionsExceeded".

CDIV_N11_050 **clause 9.2.4.5.2** **inopportune** **mandatory**
 Ensure that the IUT in the Overlap Receiving call state N25, on receipt of a FACILITY message containing a Facility information element coded as CallDeflection invoke component and if the call deflection activation request is overruled by a basic call procedure,

sends a FACILITY message containing a Facility information element with a valid CallDeflection return error component indicating "incomingCallAccepted".

CDIV_N11_051 **clause 9.2.4.5.2** **inopportune** **mandatory**
 Ensure that the IUT in the Overlap Receiving call state N25, on receipt of a FACILITY message containing a Facility information element coded as CallDeflection invoke component and if the call deflection activation request is received whilst another request is being processed,

sends a FACILITY message containing a Facility information element with a valid CallDeflection return error component indicating "requestAlreadyAccepted".

6.2.2 S/T only

Selection: IUT supports coincident S and T reference point procedures. PICS: R 3.1.

6.2.2.1 Served user procedures

6.2.2.1.1 EN 300 207-1, clause 9.3

CDIV_N12_001 **clause 9.3.1** **valid** **optional**

Ensure that the IUT, configured for subscription option "served user receives reminder notification on outgoing calls that forwarding is currently activated" set to "yes", on receipt of a valid SETUP message indicating in the Bearer capability information element the same basic service as call diversion is activated for,

returns a SETUP ACKNOWLEDGE or a CALL PROCEEDING message including a Notification information element with the notification description set to "diversion activated".

Selection: IUT supports "served user receives reminder notification on outgoing calls that forwarding is currently activated". PICS: MC 27.1 OR MC 27.2 OR MC 27.3.

6.2.2.2 Called (diverted-to) user procedures

6.2.2.2.1 EN 300 207-1, clause 9.2.5

CDIV_N13_001 **clause 9.2.5.1** **valid** **mandatory**

Ensure that the IUT in order to establish the call to the diverted-to user and if the indication is received that the presentation of the number is allowed and only one call diversion occurred,

sends a SETUP message containing one valid Redirecting number information element giving the reason for the call diversion with the presentation indicator set to "presentation allowed" and the redirecting number information provided in the number digits field.

CDIV_N13_002 **clause 9.2.5.1** **valid** **mandatory**

Ensure that the IUT in order to establish the call to the diverted-to user and if the indication is received that the presentation of the number is restricted and only one call diversion occurred,

sends a SETUP message containing one valid Redirecting number information element giving the reason for the call diversion with the presentation indicator set to "presentation restricted".

CDIV_N13_003 **clause 9.2.5.1** **valid** **mandatory**

Ensure that the IUT in order to establish the call to the diverted-to user and if the indication is received that the diverted-to number is not available and only one call diversion occurred,

sends a SETUP message containing one valid Redirecting number information element giving the reason for the call diversion with the presentation indicator set to "number not available due to interworking" and without a number digits field.

CDIV_N13_004 **clause 9.2.5.1** **valid** **mandatory**

Ensure that the IUT in order to establish the call to the diverted-to user and if the indication is received that the presentation of the number is allowed and more than one call diversions occurred,

sends a SETUP message containing two valid Redirecting number information elements giving the reason for the last call diversion in the second occurrence of the information element (the first reason for diversion field set to "unknown") with the presentation indicator set to "presentation allowed" and the redirecting number information provided in the number digits field.

CDIV_N13_005 **clause 9.2.5.1** **valid** **mandatory**

Ensure that the IUT in order to establish the call to the diverted-to user and if the indication is received that the presentation of the number is restricted and more than one call diversions occurred,

sends a SETUP message containing two valid Redirecting number information elements giving the reason for the last call diversion in the second occurrence of the information element (the first reason for diversion field set to "unknown") with the presentation indicator set to "presentation restricted".

CDIV_N13_006 **clause 9.2.5.1** **valid** **mandatory**

Ensure that the IUT in order to establish the call to the diverted-to user and if the indication is received that the diverted-to number is not available and more than one call diversions occurred,

sends a SETUP message containing two valid Redirecting number information elements giving the reason for the last call diversion in the second occurrence of the information element (the first reason for diversion field set to "unknown") with the presentation indicator set to "number not available due to interworking" and without a number digits field.

6.2.3 **T only**

Selection: IUT supports T reference point procedures. PICS: R 3.2.

6.2.3.1 **EN 300 207-1, clause 10.1****CDIV_N14_001** **clause 10.1.1** **valid** **mandatory**

Ensure that the IUT in the Call Present call state N06, on receipt of a FACILITY message containing a Facility information element with a DivertingLegInformation1 invoke component,

does not respond to this invoke component and remains in state N06.

CDIV_N14_002 **clause 10.1.1** **valid** **mandatory**

Ensure that the IUT in the Call Received call state N07, on receipt of a FACILITY message containing a Facility information element with a DivertingLegInformation1 invoke component,

does not respond to this invoke component and remains in state N07.

CDIV_N14_003 **clause 10.1.1** **valid** **mandatory**

Ensure that the IUT in the Connect Request call state N08, on receipt of a FACILITY message containing a Facility information element with a DivertingLegInformation1 invoke component,

does not respond to this invoke component and remains in state N08.

CDIV_N14_004 **clause 10.1.1** **valid** **mandatory**

Ensure that the IUT in the Incoming Call Proceeding call state N09, on receipt of a FACILITY message containing a Facility information element with a DivertingLegInformation1 invoke component,

does not respond to this invoke component and remains in state N09.

CDIV_N14_005 **clause 10.1.1** **valid** **mandatory**

Ensure that the IUT in the Call Received call state N07, on receipt of a PROGRESS message containing a Facility information element with a DivertingLegInformation1 invoke component,

does not respond to this invoke component and remains in state N07.

CDIV_N14_006 **clause 10.1.1** **valid** **mandatory**

Ensure that the IUT in the Incoming Call Proceeding call state N09, on receipt of a PROGRESS message containing a Facility information element with a DivertingLegInformation1 invoke component,

does not respond to this invoke component and remains in state N09.

CDIV_N14_007 **clause 10.1.1** **valid** **mandatory**

Ensure that the IUT in the Call Present call state N06, on receipt of a ALERTING message containing a Facility information element with a DivertingLegInformation1 invoke component,

does not respond to this invoke component and enters state N07.

CDIV_N14_008 **clause 10.1.1** **valid** **mandatory**

Ensure that the IUT in the Incoming Call Proceeding call state N09, on receipt of a ALERTING message containing a Facility information element with a DivertingLegInformation1 invoke,

does not respond to this invoke component and enters state N07.

CDIV_N14_009 **clause 10.1.1** **valid** **mandatory**
Ensure that the IUT in the Call Present call state N06, on receipt of a FACILITY message containing a Facility information element with a DivertingLegInformation3 invoke component and if a DivertingLegInformation1 invoke component has already been received,

does not respond to this invoke component and remains in state N06.

CDIV_N14_010 **clause 10.1.1** **valid** **mandatory**
Ensure that the IUT in the Call Received call state N07, on receipt of a FACILITY message containing a Facility information element with a DivertingLegInformation3 invoke component and if a DivertingLegInformation1 invoke component has already been received,

does not respond to this invoke component and remains in state N07.

CDIV_N14_011 **clause 10.1.1** **valid** **mandatory**
Ensure that the IUT in the Connect Request call state N08, on receipt of a FACILITY message containing a Facility information element with a DivertingLegInformation3 invoke component and if a DivertingLegInformation1 invoke component has already been received,

does not respond to this invoke component and remains in state N08.

CDIV_N14_012 **clause 10.1.1** **valid** **mandatory**
Ensure that the IUT in the Incoming Call Proceeding call state N09, on receipt of a FACILITY message containing a Facility information element with a DivertingLegInformation3 invoke component and if a DivertingLegInformation1 invoke component has already been received,

does not respond to this invoke component and remains in state N09.

CDIV_N14_013 **clause 10.1.1** **valid** **mandatory**
Ensure that the IUT in the Call Present call state N06, on receipt of a ALERTING message containing a Facility information element with a DivertingLegInformation3 invoke component and if a DivertingLegInformation1 invoke component has already been received,

does not respond to this invoke component and enters state N07.

CDIV_N14_014 **clause 10.1.1** **valid** **mandatory**
Ensure that the IUT in the Incoming Call Proceeding call state N09, on receipt of a ALERTING message containing a Facility information element with a DivertingLegInformation3 invoke component and if a DivertingLegInformation1 invoke component has already been received,

does not respond to this invoke component and enters state N07.

CDIV_N14_015 **clause 10.1.1** **valid** **mandatory**
Ensure that the IUT in the Call Present call state N06, on receipt of a CONNECT message containing a Facility information element with a DivertingLegInformation3 invoke component and if a DivertingLegInformation1 invoke component has already been received,

does not respond to this invoke component and enters state N08.

CDIV_N14_016 **clause 10.1.1** **valid** **mandatory**
Ensure that the IUT in the Call Received call state N07, on receipt of a CONNECT message containing a Facility information element with a DivertingLegInformation3 invoke component and if a DivertingLegInformation1 invoke component has already been received,

does not respond to this invoke component and enters state N08.

CDIV_N14_017 **clause 10.1.1** **valid** **mandatory**
Ensure that the IUT in the Incoming Call Proceeding call state N09, on receipt of a CONNECT message containing a Facility information element with a DivertingLegInformation3 invoke component and if a DivertingLegInformation1 invoke component has already been received,

does not respond to this invoke component and enters state N08.

6.2.3.2 EN 300 207-1, clause 10.2

CDIV_N15_001 **clause 10.2.1** **valid** **mandatory**

Ensure that the IUT in the Null call state N00 in order to present a diverted call to the private ISDN,

sends a SETUP message containing a Facility information element including a DivertingLegInformation2 invoke component giving information about the call diversion(s) in the diversionCounter, the diversionReason, the divertingNr parameters and if more than one diversion occurred, the originalCalledNr parameter.

CDIV_N15_002 **clause 10.2.1** **valid** **mandatory**

Ensure that the IUT in the Call Present call state N06, on receipt of a FACILITY message containing a Facility information element with a DivertingLegInformation3 invoke component,

does not respond to this invoke component and remains in state N06.

CDIV_N15_003 **clause 10.2.1** **valid** **mandatory**

Ensure that the IUT in the Call Received call state N07, on receipt of a FACILITY message containing a Facility information element with a DivertingLegInformation3 invoke component,

does not respond to this invoke component and remains in state N07.

CDIV_N15_004 **clause 10.2.1** **valid** **mandatory**

Ensure that the IUT in the Connect Request call state N08, on receipt of a FACILITY message containing a Facility information element with a DivertingLegInformation3 invoke component,

does not respond to this invoke component and remains in state N08.

CDIV_N15_005 **clause 10.2.1** **valid** **mandatory**

Ensure that the IUT in the Incoming Call Proceeding call state N09, on receipt of a FACILITY message containing a Facility information element with a DivertingLegInformation3 invoke component,

does not respond to this invoke component and remains in state N09.

CDIV_N15_006 **clause 10.2.1** **valid** **mandatory**

Ensure that the IUT in the Call Present call state N06, on receipt of a ALERTING message containing a Facility information element with a DivertingLegInformation3 invoke component,

does not respond to this invoke component and enters state N07.

CDIV_N15_007 **clause 10.2.1** **valid** **mandatory**

Ensure that the IUT in the Incoming Call Proceeding call state N09, on receipt of a ALERTING message containing a Facility information element with a DivertingLegInformation3 invoke component,

does not respond to this invoke component and enters state N07.

CDIV_N15_008 **clause 10.2.1** **valid** **mandatory**

Ensure that the IUT in the Call Present call state N06, on receipt of a CONNECT message containing a Facility information element with a DivertingLegInformation3 invoke component,

does not respond to this invoke component and enters state N08.

CDIV_N15_009 **clause 10.2.1** **valid** **mandatory**

Ensure that the IUT in the Call Received call state N07, on receipt of a CONNECT message containing a Facility information element with a DivertingLegInformation3 invoke component,

does not respond to this invoke component and enters state N08.

CDIV_N15_010 **clause 10.2.1** **valid** **mandatory**

Ensure that the IUT in the Incoming Call Proceeding call state N09, on receipt of a CONNECT message containing a Facility information element with a DivertingLegInformation3 invoke component,

does not respond to this invoke component and enters state N08.

CDIV_N15_011 **clause 10.2.2** **inopportune** **mandatory**
 Ensure that the IUT, having sent a SETUP message containing a Facility information element including a DivertingLegInformation2 invoke component, on receipt of a reject component,

accepts the information and continues with call establishment.

6.2.3.3 EN 300 207-1, clause 10.4

CDIV_N16_001 **clause 10.4.1** **valid** **mandatory**
 Ensure that the IUT in the Null call state N00, on receipt of a SETUP message containing a DiversionLegInformation2 invoke component in the Facility information element,

continues normal call handling and returns a DivertingLegInformation3 invoke component that indicates in the presentationAllowedIndicator parameter if presentation of the diverted-to user's ISDN number to the calling user is allowed in the Facility information element of either a FACILITY, ALERTING (in call state N02 or N03) or CONNECT (in state N02, N03 or N04) message.

CDIV_N16_002 **clause 10.4.2** **inopportune** **mandatory**
 Ensure that the IUT, on receipt of a reject component as answer to a DivertingLegInformation3 invoke component,

accepts the information and continues with call establishment.

6.2.3.4 EN 300 207-1, clause 10.5

CDIV_N17_001 **clause 10.5.1** **valid** **optional**
 Ensure that the IUT in the Call Received call state N07, on receipt of a FACILITY message containing a CallRerouteing invoke component in the Facility information element,

sends a FACILITY message containing a Facility information element with a CallRerouteing return result component.

Selection: Network provider option "served user call retention on invocation of diversion" is "retain call until alerting begins at diverted-to user". PICS: SC 3.1.

CDIV_N17_002 **clause 10.5.1** **valid** **optional**
 Ensure that the IUT in the Incoming Call Proceeding call state N09, on receipt of a FACILITY message containing a CallRerouteing invoke component in the Facility information element,

sends a FACILITY message containing a Facility information element with a CallRerouteing return result component.

Selection: Network provider option "served user call retention on invocation of diversion" is "retain call until alerting begins at diverted-to user". PICS: SC 3.1.

CDIV_N17_003 **clause 10.5.1** **valid** **optional**
 Ensure that the IUT in the Overlap Receiving call state N25, on receipt of a FACILITY message containing a CallRerouteing invoke component in the Facility information element,

sends a FACILITY message containing a Facility information element with a CallRerouteing return result component.

Selection: Network provider option "served user call retention on invocation of diversion" is "retain call until alerting begins at diverted-to user". PICS: SC 3.1.

CDIV_N17_004 **clause 10.5.1** **valid** **optional**
 Ensure that the IUT in the Call Received call state N07, on receipt of the indication that the diverted-to user is alerting or has answered,

sends a DISCONNECT message with the cause information element indicating cause #31.

Selection: Network provider option "served user call retention on invocation of diversion" is "retain call until alerting begins at diverted-to user". PICS: SC 3.1.

CDIV_N17_005 **clause 10.5.1** **valid** **optional**
 Ensure that the IUT in the Incoming Call Proceeding call state N09, on receipt of the indication that the diverted-to user is alerting or has answered,

sends a DISCONNECT message with the cause information element indicating cause #31.

Selection: Network provider option "served user call retention on invocation of diversion" is "retain call until alerting begins at diverted-to user". PICS: SC 3.1.

CDIV_N17_006 **clause 10.5.1** **valid** **optional**
 Ensure that the IUT in the Overlap Receiving call state N25, on receipt of the indication that the diverted-to user is alerting or has answered,

sends a DISCONNECT message with the cause information element indicating cause #31.

Selection: Network provider option "served user call retention on invocation of diversion" is "retain call until alerting begins at diverted-to user". PICS: SC 3.1.

CDIV_N17_007 **clause 10.5.1** **valid** **optional**
 Ensure that the IUT in the Call Received call state N07, on receipt of a FACILITY message containing a CallRerouteing invoke component in the Facility information element,

sends a DISCONNECT message with the cause information element indicating cause #31 and containing a Facility information element with a CallRerouteing return result component.

Selection: Network provider option "served user call retention on invocation of diversion" is "clear call on invocation of diversion". PICS: SC 3.2.

CDIV_N17_008 **clause 10.5.1** **valid** **optional**
 Ensure that the IUT in the Incoming Call Proceeding call state N09, on receipt of a FACILITY message containing a CallRerouteing invoke component in the Facility information element,

sends a DISCONNECT message with the cause information element indicating cause #31 and containing a Facility information element with a CallRerouteing return result component.

Selection: Network provider option "served user call retention on invocation of diversion" is "clear call on invocation of diversion". PICS: SC 3.2.

CDIV_N17_009 **clause 10.5.1** **valid** **optional**
 Ensure that the IUT in the Overlap Receiving call state N25, on receipt of a FACILITY message containing a CallRerouteing invoke component in the Facility information element,

sends a DISCONNECT message with the cause information element indicating cause #31 and containing a Facility information element with a CallRerouteing return result component.

Selection: Network provider option "served user call retention on invocation of diversion" is "clear call on invocation of diversion". PICS: SC 3.2.

CDIV_N17_010 **clause 10.5.2** **inopportune** **mandatory**
 Ensure that the IUT in the Call Received call state N07, on receipt of a FACILITY message containing a CallRerouteing invoke component in the Facility information element and if the requested call forwarding supplementary service has not been subscribed to,

sends a FACILITY message containing in the Facility information element a CallRerouteing error component indicating "notSubscribed".

CDIV_N17_011 **clause 10.5.2** **inopportune** **mandatory**
 Ensure that the IUT in the Call Received call state N07, on receipt of a FACILITY message containing a CallRerouteing invoke component in the Facility information element and if the requested call forwarding supplementary service is not available,

sends a FACILITY message containing in the Facility information element a CallRerouteing error component indicating "notAvailable".

CDIV_N17_012**clause 10.5.2****inopportune****mandatory**

Ensure that the IUT in the Call Received call state N07, on receipt of a FACILITY message containing a CallRerouting invoke component in the Facility information element and if the provision of the call forwarding supplementary service activation is precluded by an interworking procedure,

sends a FACILITY message containing in the Facility information element a CallRerouting error component indicating "supplementaryServiceInteractionNotAllowed".

CDIV_N17_013**clause 10.5.2****inopportune****mandatory**

Ensure that the IUT in the Call Received call state N07, on receipt of a FACILITY message containing a CallRerouting invoke component in the Facility information element and if the resources required to perform adequately the requested call forwarding supplementary service are not available,

sends a FACILITY message containing in the Facility information element a CallRerouting error component indicating "resourceUnavailable".

CDIV_N17_014**clause 10.5.2****inopportune****mandatory**

Ensure that the IUT in the Call Received call state N07, on receipt of a FACILITY message containing a CallRerouting invoke component in the Facility information element and if the indicated forwarded-to number cannot be accepted,

sends a FACILITY message containing in the Facility information element a CallRerouting error component indicating "InvalidDivertedToNr".

CDIV_N17_015**clause 10.5.2****inopportune****mandatory**

Ensure that the IUT in the Call Received call state N07, on receipt of a FACILITY message containing a CallRerouting invoke component in the Facility information element and if the indicated forwarded-to number identifies a special service number and forwarding is prohibited to this special service number,

sends a FACILITY message containing in the Facility information element a CallRerouting error component indicating "specialServiceNr".

CDIV_N17_016**clause 10.5.2****inopportune****mandatory**

Ensure that the IUT in the Call Received call state N07, on receipt of a FACILITY message containing a CallRerouting invoke component in the Facility information element and if the indicated forwarded-to number is identical to the ISDN number identifying the served user,

sends a FACILITY message containing in the Facility information element a CallRerouting error component indicating "diversiOnToSerVedUserNr".

CDIV_N17_017**clause 10.5.2****inopportune****mandatory**

Ensure that the IUT in the Call Received call state N07, on receipt of a FACILITY message containing a CallRerouting invoke component in the Facility information element and if the limit on the number of diversions has already been reached,

sends a FACILITY message containing in the Facility information element a CallRerouting error component indicating "numberOFDiversionsExceeded".

CDIV_N17_018**clause 10.5.2****inopportune****mandatory**

Ensure that the IUT in the Incoming Call Proceeding call state N09, on receipt of a FACILITY message containing a CallRerouting invoke component in the Facility information element and if the requested call forwarding supplementary service has not been subscribed to,

sends a FACILITY message containing in the Facility information element a CallRerouting error component indicating "notSubscribed".

CDIV_N17_019**clause 10.5.2****inopportune****mandatory**

Ensure that the IUT in the Incoming Call Proceeding call state N09, on receipt of a FACILITY message containing a CallRerouting invoke component in the Facility information element and if the requested call forwarding supplementary service is not available,

sends a FACILITY message containing in the Facility information element a CallRerouting error component indicating "notAvailable".

CDIV_N17_020 **clause 10.5.2** **inopportune** **mandatory**
 Ensure that the IUT in the Incoming Call Proceeding call state N09, on receipt of a FACILITY message containing a CallRerouting invoke component in the Facility information element and if the provision of the call forwarding supplementary service activation is precluded by an interworking procedure,

sends a FACILITY message containing in the Facility information element a CallRerouting error component indicating "supplementaryServiceInteractionNotAllowed".

CDIV_N17_021 **clause 10.5.2** **inopportune** **mandatory**
 Ensure that the IUT in the Incoming Call Proceeding call state N09, on receipt of a FACILITY message containing a CallRerouting invoke component in the Facility information element and if the resources required to perform adequately the requested call forwarding supplementary service are not available,

sends a FACILITY message containing in the Facility information element a CallRerouting error component indicating "resourceUnavailable".

CDIV_N17_022 **clause 10.5.2** **inopportune** **mandatory**
 Ensure that the IUT in the Incoming Call Proceeding call state N09, on receipt of a FACILITY message containing a CallRerouting invoke component in the Facility information element and if the indicated forwarded-to number cannot be accepted,

sends a FACILITY message containing in the Facility information element a CallRerouting error component indicating "InvalidDivertedToNr".

CDIV_N17_023 **clause 10.5.2** **inopportune** **mandatory**
 Ensure that the IUT in the Incoming Call Proceeding call state N09, on receipt of a FACILITY message containing a CallRerouting invoke component in the Facility information element and if the indicated forwarded-to number identifies a special service number and forwarding is prohibited to this special service number,

sends a FACILITY message containing in the Facility information element a CallRerouting error component indicating "specialServiceNr".

CDIV_N17_024 **clause 10.5.2** **inopportune** **mandatory**
 Ensure that the IUT in the Incoming Call Proceeding call state N09, on receipt of a FACILITY message containing a CallRerouting invoke component in the Facility information element and if the indicated forwarded-to number is identical to the ISDN number identifying the served user,

sends a FACILITY message containing in the Facility information element a CallRerouting error component indicating "diversiOnToSerVedUserNr".

CDIV_N17_025 **clause 10.5.2** **inopportune** **mandatory**
 Ensure that the IUT in the Incoming Call Proceeding call state N09, on receipt of a FACILITY message containing a CallRerouting invoke component in the Facility information element and if the limit on the number of diversions has already been reached,

sends a FACILITY message containing in the Facility information element a CallRerouting error component indicating "numberOFDiversionsExceeded".

CDIV_N17_026 **clause 10.5.2** **inopportune** **mandatory**
 Ensure that the IUT in the Overlap Receiving call state N25, on receipt of a FACILITY message containing a CallRerouting invoke component in the Facility information element and if the requested call forwarding supplementary service has not been subscribed to,

sends a FACILITY message containing in the Facility information element a CallRerouting error component indicating "notSubscribed".

CDIV_N17_027 **clause 10.5.2** **inopportune** **mandatory**
 Ensure that the IUT in the Overlap Receiving call state N25, on receipt of a FACILITY message containing a CallRerouting invoke component in the Facility information element and if the requested call forwarding supplementary service is not available,

sends a FACILITY message containing in the Facility information element a CallRerouting error component indicating "notAvailable".

CDIV_N17_028 **clause 10.5.2** **inopportune** **mandatory**
 Ensure that the IUT in the Overlap Receiving call state N25, on receipt of a FACILITY message containing a CallRerouting invoke component in the Facility information element and if the provision of the call forwarding supplementary service activation is precluded by an interworking procedure,

sends a FACILITY message containing in the Facility information element a CallRerouting error component indicating "supplementaryServiceInteractionNotAllowed".

CDIV_N17_029 **clause 10.5.2** **inopportune** **mandatory**
 Ensure that the IUT in the Overlap Receiving call state N25, on receipt of a FACILITY message containing a CallRerouting invoke component in the Facility information element and if the resources required to perform adequately the requested call forwarding supplementary service are not available,

sends a FACILITY message containing in the Facility information element a CallRerouting error component indicating "resourceUnavailable".

CDIV_N17_030 **clause 10.5.2** **inopportune** **mandatory**
 Ensure that the IUT in the Overlap Receiving call state N25, on receipt of a FACILITY message containing a CallRerouting invoke component in the Facility information element and if the indicated forwarded-to number cannot be accepted,

sends a FACILITY message containing in the Facility information element a CallRerouting error component indicating "InvalidDivertedToNr".

CDIV_N17_031 **clause 10.5.2** **inopportune** **mandatory**
 Ensure that the IUT in the Overlap Receiving call state N25, on receipt of a FACILITY message containing a CallRerouting invoke component in the Facility information element and if the indicated forwarded-to number identifies a special service number and forwarding is prohibited to this special service number,

sends a FACILITY message containing in the Facility information element a CallRerouting error component indicating "specialServiceNr".

CDIV_N17_032 **clause 10.5.2** **inopportune** **mandatory**
 Ensure that the IUT in the Overlap Receiving call state N25, on receipt of a FACILITY message containing a CallRerouting invoke component in the Facility information element and if the indicated forwarded-to number is identical to the ISDN number identifying the served user,

sends a FACILITY message containing in the Facility information element a CallRerouting error component indicating "diversiOnToSerVedUserNr".

CDIV_N17_033 **clause 10.5.2** **inopportune** **mandatory**
 Ensure that the IUT in the Overlap Receiving call state N25, on receipt of a FACILITY message containing a CallRerouting invoke component in the Facility information element and if the limit on the number of diversions has already been reached,

sends a FACILITY message containing in the Facility information element a CallRerouting error component indicating "numberOFDiversionsExceeded".

CDIV_N17_034 **clause 10.5.2** **inopportune** **optional**
 Ensure that the IUT in the Call Received call state N07, on receipt of the indication that call to the diverted-to user fails,
 takes no action and remains in state N07.

Selection: Network provider option "served user call retention on invocation of diversion" is "retain call until alerting begins at diverted-to user". PICS: SC 3.1.

CDIV_N17_035 **clause 10.5.2** **inopportune** **optional**
 Ensure that the IUT in the Incoming Call Proceeding call state N09, on receipt of the indication that call to the diverted-to user fails,

takes no action and remains in state N09.

Selection: Network provider option "served user call retention on invocation of diversion" is "retain call until alerting begins at diverted-to user". PICS: SC 3.1.

CDIV_N17_036**clause 10.5.2****inopportune****optional**

Ensure that the IUT in the Overlap Receiving call state N25, on receipt of the indication that call to the diverted-to user fails,

takes no action and remains in state N25.

Selection: Network provider option "served user call retention on invocation of diversion" is "retain call until alerting begins at diverted-to user". PICS: SC 3.1.

CDIV_N17_037**clause 10.5.2****inopportune****mandatory**

Ensure that the IUT, having sent a CallRerouting component, on receipt of a FACILITY message containing a Facility information element with a reject component,

takes no action.

6.2.4 Interworking

CDIV_N24_001**clause 11****valid****mandatory**

Ensure that the IUT, while in the Call Received call state N07 and after the call has been forwarded using the CFNR supplementary service and the forwarded portion of the call encounters interworking,

sends a PROGRESS message containing a Progress indicator information element indicating in-band tones and announcements to the calling user.

CDIV_N24_002**clause 11****valid****optional**

Ensure that the IUT, while in the Call Received call state N07 after forwarding the call using the CFNR supplementary service and an indication of interworking has been received,

sends a DISCONNECT or RELEASE message with cause #16 to the served user.

Selection: CFNR supported and Network provider option "served user call retention on invocation of diversion" is "retain call until alerting begins at diverted-to user", PICS: SC 1.1.

6.3 Network TPs for SCF

All PICS items referred to in this clause are as specified in EN 300 207-2 [2] unless indicated otherwise by another numbered reference.

Unless specified the FACILITY messages are transmitted using the point to point connectionless bearer independent transport mechanism (dummy call reference, DL-DATA-REQUEST) as specified in EN 300 196-1 [3], clause 8.3.2.2. Where the broadcast connectionless bearer independent transport mechanism applies (dummy call reference, DL-DATA-REQUEST), the indication of the corresponding clause is given (i.e. clause 8.3.2.4 of EN 300 196-1 [3]).

Selection: IUT supports SCF supplementary services. PICS: R 1.3.

6.3.1 Signalling procedures at the coincident S and T reference point and the T reference point

Selection: IUT supports network requirements at the interface of the served user. PICS: R 4.3.

NOTE: The signalling procedures use mainly the bearer-independent connectionless transport mechanism with the dummy call reference. To augment the readability of the test purposes, basic call states are only mentioned where significant.

6.3.1.1 SCFB supplementary service

Selection: IUT supports SCFB supplementary services. PICS: R 1.3.1.

6.3.1.1.1 Activation

SCF_N01_001 clause 9.1.1.3

Ensure that the IUT, configured for provision of diversion to the whole access, on receipt of a FACILITY message containing a Facility information element coded as ActivationSCF invoke component indicating "scfb" in the SCFProcedure parameter and "individualNumber" in the servedUserNr parameter,

sends a FACILITY message containing a Facility information element with a valid ActivationSCF return result component and

a FACILITY message (clause 8.3.2.4 of EN 300 196-1 [3]) containing a Facility information element with a valid ActivationStatusNotificationSCF invoke component with the servedUserNr parameter set to "allNumbers".

Selection: IUT supports basic access, point-to-multipoint configuration? PICS: R 7.2 [5].

Selection: IUT supports coincident S and T reference point procedures. PICS R 3.1

Selection: IUT supports provision of diversion to the whole access. PICS: MC 10.2.

SCF_N01_002 clause 9.1.1.3

Ensure that the IUT, configured for provision of diversion to the whole access, on receipt of a FACILITY message containing a Facility information element coded as ActivationSCF invoke component indicating "scfb" in the SCFProcedure parameter and indicating "allNumbers" in the servedUserNr parameter,

sends a FACILITY message containing a Facility information element with a valid ActivationSCF return result component and

a FACILITY message (clause 8.3.2.4 of EN 300 196-1 [3]) containing a Facility information element with a valid ActivationStatusNotificationSCF invoke component with the servedUserNr parameter set to "allNumbers".

Selection: IUT supports basic access, point-to-multipoint configuration? PICS: R 7.2 [5].

Selection: IUT supports provision of diversion to the whole access. PICS: MC 10.2.

SCF_N01_003 clause 9.1.1.3

Ensure that the IUT, configured for provision of diversion on a per number basis and MSN not provided, on receipt of a FACILITY message containing a Facility information element coded as ActivationSCF invoke component indicating "scfb" in the SCFProcedure parameter and indicating "individualNumber" in the servedUserNr parameter,

sends a FACILITY message containing a Facility information element with a valid ActivationSCF return result component and

a FACILITY message (clause 8.3.2.4 of EN 300 196-1 [3]) containing a Facility information element with a valid ActivationStatusNotificationSCF invoke component with the servedUserNr parameter set to "individualNumber".

Selection: IUT supports basic access, point-to-multipoint configuration? PICS: R 7.2 [5].

Selection: IUT supports coincident S and T reference point procedures. PICS R 3.1

Selection: IUT supports provision of diversion on a per number basis. PICS: MC 10.1.

SCF_N01_004 clause 9.1.1.3

Ensure that the IUT, configured for provision of diversion on a per number basis and MSN not provided, on receipt of a FACILITY message containing a Facility information element coded as ActivationSCF invoke component indicating "scfb" in the SCFProcedure parameter and indicating "allNumbers" in the servedUserNr parameter,

sends a FACILITY message containing a Facility information element with a valid ActivationSCF return result component and

a FACILITY message (clause 8.3.2.4 of EN 300 196-1 [3]) containing a Facility information element with a valid ActivationStatusNotificationSCF invoke component with the servedUserNr parameter set to "individualNumber".

Selection: IUT supports basic access, point-to-multipoint configuration? PICS: R 7.2 [5].

Selection: IUT supports coincident S and T reference point procedures. PICS R 3.1

Selection: IUT supports provision of diversion on a per number basis. PICS: MC 10.1.

SCF_N01_005 **clause 9.1.1.3**

Ensure that the IUT, configured for provision of diversion on a per number basis and MSN provided, on receipt of a FACILITY message containing a Facility information element coded as ActivationSCF invoke component indicating "scfb" in the sCFProcedure parameter and indicating "individualNumber" in the servedUserNr parameter,

sends a FACILITY message containing a Facility information element with a valid ActivationSCF return result component and,

a FACILITY message (clause 8.3.2.4 of EN 300 196-1 [3]) containing a Facility information element with a valid ActivationStatusNotificationSCF invoke component with the servedUserNr parameter set to "individualNumber".

Selection: IUT supports basic access, point-to-multipoint configuration? PICS: R 7.2 [5].

Selection: IUT supports coincident S and T reference point procedures. PICS R 3.1

Selection: IUT supports provision of diversion on a per number basis. PICS: MC 10.1.

SCF_N01_006 **clause 9.1.1.3**

Ensure that the IUT, configured for provision of diversion on a per number basis, MSN provided to the access, subscription option for the use of all numbers set to "no", on receipt of a FACILITY message containing a Facility information element coded as ActivationSCF invoke component indicating "scfb" in the sCFProcedure parameter and indicating "allNumbers" in the servedUserNr parameter,

sends a FACILITY message containing a Facility information element with a valid ActivationSCF return error component indicating "invalidServedUserNr".

Selection: IUT supports coincident S and T reference point procedures? PICS: R 3.1.

Selection: IUT supports provision of diversion on a per number basis. PICS: MC 10.1.

SCF_N01_007 **clause 9.1.1.3**

Ensure that the IUT, configured for provision of diversion on a per number basis, MSN provided to the access, subscription option for the use of all numbers set to "yes", on receipt of a FACILITY message containing a Facility information element coded as ActivationSCF invoke component indicating "scfb" in the sCFProcedure parameter and indicating "allNumbers" in the servedUserNr parameter,

sends a FACILITY message containing a Facility information element with a valid ActivationSCF return result component and,

a FACILITY message (clause 8.3.2.4 of EN 300 196-1 [3]) containing a Facility information element with a valid ActivationStatusNotificationSCF invoke component with the servedUserNr parameter set to "allNumbers".

Selection: IUT supports basic access, point-to-multipoint configuration? PICS: R 7.2 [5].

Selection: IUT supports coincident S and T reference point procedures. PICS R 3.1

Selection: IUT supports provision of diversion on a per number basis. PICS: MC 10.1.

Selection: IUT supports activation, deactivation, interrogation for all numbers. PICS: MC 11.

SCF_N01_008 **clause 9.1.1.3**

Ensure that the IUT, configured for a single screening list, on receipt of a FACILITY message containing a Facility information element coded as ActivationSCF invoke component indicating "scfb" in the sCFProcedure parameter and with no sCFListInUse parameter,

sends a FACILITY message containing a Facility information element with a valid ActivationSCF return result component and,

a FACILITY message (clause 8.3.2.4 of EN 300 196-1 [3]) containing a Facility information element with a valid ActivationStatusNotificationSCF invoke component with no sCFListInUse parameter.

Selection: IUT supports basic access, point-to-multipoint configuration? PICS: R 7.2 [5].

Selection: IUT supports SCF with a single screening list.

SCF_N01_009 **clause 9.1.1.3**

Ensure that the IUT, configured for more than one screening list, on receipt of a FACILITY message containing a Facility information element coded as ActivationSCF invoke component indicating "scfb" in the sCFProcedure parameter and with a valid sCFListInUse parameter,

sends a FACILITY message containing a Facility information element with a valid ActivationSCF return result component.

a FACILITY message (clause 8.3.2.4 of EN 300 196-1 [3]) containing a Facility information element with a valid ActivationStatusNotificationSCF invoke component with the sCFListInUse parameter.

Selection: IUT supports basic access, point-to-multipoint configuration? PICS: R 7.2 [5].

Selection: IUT supports SCF with more than one screening list.

SCF_N01_010 **clause 9.1.1.3**

Ensure that the IUT, configured for provision of diversion to the whole access, on receipt of a FACILITY message containing a Facility information element coded as ActivationSCF invoke component indicating "scfb" in the sCFProcedure parameter and indicating "individualNumber" in the servedUserNr parameter,

sends a FACILITY message containing a Facility information element with a valid ActivationSCF return result component.

Selection: IUT does NOT support basic access, point-to-multipoint configuration? PICS: NOT R 7.2 [5].

Selection: IUT supports coincident S and T reference point procedures? PICS: R 3.1.

Selection: IUT supports provision of diversion to the whole access. PICS: MC 10.2.

SCF_N01_011 **clause 9.1.1.3**

Ensure that the IUT, configured for provision of diversion to the whole access, on receipt of a FACILITY message containing a Facility information element coded as ActivationSCF invoke component indicating "scfb" in the sCFProcedure parameter and indicating "allNumbers" in the servedUserNr parameter,

sends a FACILITY message containing a Facility information element with a valid ActivationSCF return result component.

Selection: IUT does NOT support basic access, point-to-multipoint configuration? PICS: NOT R 7.2 [5].

Selection: IUT supports provision of diversion to the whole access. PICS: MC 10.2.

SCF_N01_012 **clause 9.1.1.3**

Ensure that the IUT, configured for provision of diversion on a per number basis and MSN not provided to the access, on receipt of a FACILITY message containing a Facility information element coded as ActivationSCF invoke component indicating "scfb" in the sCFProcedure parameter and indicating "individualNumber" in the servedUserNr parameter,

sends a FACILITY message containing a Facility information element with a valid ActivationSCF return result component.

Selection: IUT does NOT support basic access, point-to-multipoint configuration? PICS: NOT MC 7.2 [5].

Selection: IUT supports coincident S and T reference point procedures? PICS: R 3.1.

Selection: IUT supports provision of diversion on a per number basis. PICS: MC 10.1.

SCF_N01_013 **clause 9.1.1.3**

Ensure that the IUT, configured for provision of diversion on a per number basis and MSN not provided to the access, on receipt of a FACILITY message containing a Facility information element coded as ActivationSCF invoke component indicating "scfb" in the sCFProcedure parameter and indicating "allNumbers" in the servedUserNr parameter,

sends a FACILITY message containing a Facility information element with a valid ActivationSCF return result component.

Selection: IUT does NOT support basic access, point-to-multipoint configuration? PICS: NOT R 7.2 [5].

Selection: IUT supports coincident S and T reference point procedures? PICS: R 3.1.

Selection: IUT supports provision of diversion on a per number basis. PICS: MC 10.1.

SCF_N01_014 **clause 9.1.1.3**

Ensure that the IUT, configured for provision of diversion on a per number basis and MSN provided to the access, on receipt of a FACILITY message containing a Facility information element coded as ActivationSCF invoke component indicating "scfb" in the sCFProcedure parameter and indicating "individualNumber" in the servedUserNr parameter,

sends a FACILITY message containing a Facility information element with a valid ActivationSCF return result component.

Selection: IUT does NOT support basic access, point-to-multipoint configuration? PICS: NOT R 7.2 [5].

Selection: IUT supports coincident S and T reference point procedures? PICS: R 3.1.

Selection: IUT supports provision of diversion on a per number basis. PICS: MC 10.1.

SCF_N01_015 **clause 9.1.1.3**

Ensure that the IUT, configured for provision of diversion on a per number basis, MSN provided to the access and subscription option for the use of all numbers is "yes", on receipt of a FACILITY message containing a Facility information element coded as ActivationSCF invoke component indicating "scfb" in the sCFProcedure parameter and indicating "allNumbers" in the servedUserNr parameter,

sends a FACILITY message containing a Facility information element with a valid ActivationSCF return result component.

Selection: IUT does NOT support basic access, point-to-multipoint configuration? PICS: NOT R 7.2 [5].

Selection: IUT supports coincident S and T reference point procedures? PICS: R 3.1.

Selection: IUT supports provision of diversion on a per number basis. PICS: MC 10.1.

Selection: IUT supports activation, deactivation, interrogation for all numbers. PICS: MC 11.

SCF_N01_016 **clause 9.1.1.3**

Ensure that the IUT, configured for a single screening list, on receipt of a FACILITY message containing a Facility information element coded as ActivationSCF invoke component indicating "scfb" in the sCFProcedure parameter and with no sCFListInUse parameter,

sends a FACILITY message containing a Facility information element with a valid ActivationSCF return result component.

Selection: IUT does NOT support basic access, point-to-multipoint configuration? PICS: NOT R 7.2 [5].

Selection: IUT supports SCF with a single screening list.

SCF_N01_017 **clause 9.1.1.3**

Ensure that the IUT, configured for more than one screening list, on receipt of a FACILITY message containing a Facility information element coded as ActivationSCF invoke component indicating "scfb" in the sCFProcedure parameter and with a valid sCFListInUse parameter,

sends a FACILITY message containing a Facility information element with a valid ActivationSCF return result component.

Selection: IUT does NOT support basic access, point-to-multipoint configuration? PICS: NOT R 7.2 [5].

Selection: IUT supports SCF with more than one screening list.

SCF_N01_018 **clause 9.1.1.4**

Ensure that the IUT, configured for more than one screening list, on receipt of a FACILITY message containing a Facility information element coded as ActivationSCF invoke component indicating "scfb" in the sCFProcedure parameter and without the sCFListsInUse parameter,

sends a FACILITY message containing a Facility information element with a valid ActivationSCF return error component indicating "noScreeningListSpecified".

Selection: IUT supports SCF with more than one screening list.

SCF_N01_019 **clause 9.1.1.4**

Ensure that the IUT on receipt of a FACILITY message containing a Facility information element coded as ActivationSCF invoke component indicating "scfb" in the sCFProcedure parameter and indicating an incorrect identifier in the sCFListsInUse parameter,

sends a FACILITY message containing a Facility information element with a valid ActivationSCF return error component indicating "invalidScreeningListID".

SCF_N01_020 **clause 9.1.1.4**

Ensure that the IUT on receipt of a FACILITY message containing a Facility information element coded as ActivationSCF invoke component indicating "scfb" in the sCFProcedure parameter and if the requested call forwarding supplementary service has not been subscribed to for any basic service,

sends a FACILITY message containing a Facility information element with a valid ActivationSCF return error component indicating "notSubscribed".

SCF_N01_021 **clause 9.1.1.4**

Ensure that the IUT on receipt of a FACILITY message containing a Facility information element coded as ActivationSCF invoke component indicating "scfb" in the sCFProcedure parameter and if the requested call forwarding supplementary service is not available for the indicated basic service,

sends a FACILITY message containing a Facility information element with a valid ActivationSCF return error component indicating "notAvailable".

SCF_N01_022 **clause 9.1.1.4**

Ensure that the IUT on receipt of a FACILITY message containing a Facility information element coded as ActivationSCF invoke component indicating "scfb" in the sCFProcedure parameter and if the ISDN number provided to identify the served user is not a valid number,

sends a FACILITY message containing a Facility information element with a valid ActivationSCF return error component indicating "invalidServedUserNr".

SCF_N01_023 **clause 9.1.1.4**

Ensure that the IUT on receipt of a FACILITY message containing a Facility information element coded as ActivationSCF invoke component indicating "scfb" in the sCFProcedure parameter and if the provision of the call forwarding supplementary service activation is constrained by an interactions procedure,

sends a FACILITY message containing a Facility information element with a valid ActivationSCF return error component indicating "supplementaryServiceInteractionNotAllowed".

SCF_N01_024 **clause 9.1.1.4**

Ensure that the IUT on receipt of a FACILITY message containing a Facility information element coded as ActivationSCF invoke component indicating "scfb" in the sCFProcedure parameter and if the served user has not subscribed to the basic service for which the call forwarding supplementary service was requested,

sends a FACILITY message containing a Facility information element with a valid ActivationSCF return error component indicating "basicServiceNotProvided".

SCF_N01_025 **clause 9.1.1.4**

Ensure that the IUT on receipt of a FACILITY message containing a Facility information element coded as ActivationSCF invoke component indicating "scfb" in the sCFProcedure parameter and if the resources required to perform adequately the requested call forwarding supplementary service are not available,

sends a FACILITY message containing a Facility information element with a valid ActivationSCF return error component indicating "resourceUnavailable".

SCF_N01_026 **clause 9.1.1.4**

Ensure that the IUT on receipt of a FACILITY message containing a Facility information element coded as ActivationSCF invoke component indicating "scfb" in the sCFProcedure parameter and if the indicated forwarded-to number cannot be accepted,

sends a FACILITY message containing a Facility information element with a valid ActivationSCF return error component indicating "InvalidDivertedToNr".

SCF_N01_027 **clause 9.1.1.4**

Ensure that the IUT on receipt of a FACILITY message containing a Facility information element coded as ActivationSCF invoke component indicating "scfb" in the sCFProcedure parameter and if the indicated forwarded-to number identifies a special service number and forwarding is prohibited to this special service number,

sends a FACILITY message containing a Facility information element with a valid ActivationSCF return error component indicating "specialServiceNr".

SCF_N01_028 **clause 9.1.1.4**

Ensure that the IUT on receipt of a FACILITY message containing a Facility information element coded as ActivationSCF invoke component indicating "scfb" in the sCFProcedure parameter and if the indicated forwarded-to number is identical to the ISDN number identifying the served user,

sends a FACILITY message containing a Facility information element with a valid ActivationSCF return error component indicating "diversionToServedUserNr".

SCF_N01_029 **clause 9.1.1.4**

Ensure that the IUT, having sent a ActivationSCF component (return result or return error), on receipt of a FACILITY message containing a Facility information element with a reject component,

sends no message.

SCF_N01_030 **clauses 9.1.1.4 and 10.6**

Ensure that the IUT, configured for provision of diversion to the whole access, on receipt of a FACILITY message containing a Facility information element coded as ActivationSCF invoke component indicating "scfb" in the sCFProcedure parameter and indicating "individualNumber" in the servedUserNr parameter,

sends a FACILITY message containing a Facility information element with a valid ActivationSCF return error component.

Selection: T reference point procedures supported. PICS: R 3.2.

SCF_N01_031 **clauses 9.1.1.3 and 10.7**

Ensure that the IUT, configured for provision of diversion on DDI ranges, on receipt of a FACILITY message containing a Facility information element coded as ActivationSCF invoke component indicating "scfb" in the sCFProcedure parameter and indicating "individualNumber" identifying a DDI range in the servedUserNr parameter,

sends a FACILITY message containing a Facility information element with a valid ActivationSCF return result component.

Selection: T reference point procedures supported. PICS: R 3.2.

Selection: IUT supports provision of diversion on DDI ranges. PICS: MC 10.3.

SCF_N01_032 **clauses 9.1.1.4 and 10.7**

Ensure that the IUT, configured for provision of diversion on DDI ranges, on receipt of a FACILITY message containing a Facility information element coded as ActivationSCF invoke component indicating "scfb" in the sCFProcedure parameter and indicating "individualNumber" not identifying a DDI range in the servedUserNr parameter,

sends a FACILITY message containing a Facility information element with a valid ActivationSCF return error component indicating "invalidServedUserNr".

Selection: T reference point procedures supported. PICS: R 3.2.

Selection: IUT supports provision of diversion on DDI ranges. PICS: MC 10.3.

SCF_N01_033 **clauses 9.1.1.4 and 10.7**

Ensure that the IUT, configured for provision of diversion on DDI ranges and subscription option "Activation, deactivation and interrogation for all ISDN-numbers on the same access" is "no", on receipt of a FACILITY message containing a Facility information element coded as ActivationSCF invoke component indicating "scfb" in the sCFProcedure parameter and indicating "allNumbers" in the servedUserNr parameter,

sends a FACILITY message containing a Facility information element with a valid ActivationSCF return error component indicating "invalidServedUserNr".

Selection: T reference point procedures supported. PICS: R 3.2.

Selection: IUT supports provision of diversion on DDI ranges. PICS: MC 10.3.

SCF_N01_034 clauses 9.1.1.3 and 10.7

Ensure that the IUT, configured for provision of diversion on DDI ranges and subscription option "Activation, deactivation and interrogation for all ISDN-numbers on the same access" is "yes", on receipt of a FACILITY message containing a Facility information element coded ActivationSCF invoke component indicating "scfb" in the sCFProcedure parameter and indicating "allNumbers" in the servedUserNr parameter,

sends a FACILITY message containing a Facility information element with a valid ActivationSCF return result component.

- Selection:** T reference point procedures supported. PICS: R 3.2.
- Selection:** IUT supports provision of diversion on DDI ranges. PICS: MC 10.3.
- Selection:** IUT supports activation, deactivation, interrogation for all numbers. PICS: MC 11.

6.3.1.1.2 Deactivation**SCF_N02_001 clause 9.1.2.3**

Ensure that the IUT, configured for provision of diversion to the whole access, on receipt of a FACILITY message containing a Facility information element coded as DeactivationSCF invoke component indicating "scfb" in the sCFProcedure parameter and "individualNumber" in the servedUserNr parameter,

sends a FACILITY message containing a Facility information element with a valid DeactivationSCF return result component and

a FACILITY message (clause 8.3.2.4 of EN 300 196-1 [3]) containing a Facility information element with a valid DeactivationStatusNotificationSCF invoke component with the servedUserNr parameter set to "allNumbers".

- Selection:** IUT supports basic access, point-to-multipoint configuration? PICS: R 7.2 [5].
- Selection:** IUT supports coincident S and T reference point procedures. PICS R 3.1
- Selection:** IUT supports provision of diversion to the whole access. PICS: MC 10.2.

SCF_N02_002 clause 9.1.2.3

Ensure that the IUT, configured for provision of diversion to the whole access, on receipt of a FACILITY message containing a Facility information element coded as DeactivationSCF invoke component indicating "scfb" in the sCFProcedure parameter and indicating "allNumbers" in the servedUserNr parameter,

sends a FACILITY message containing a Facility information element with a valid DeactivationSCF return result component and

a FACILITY message (clause 8.3.2.4 of EN 300 196-1 [3]) containing a Facility information element with a valid DeactivationStatusNotificationSCF invoke component with the servedUserNr parameter set to "allNumbers".

- Selection:** IUT supports basic access, point-to-multipoint configuration? PICS: R 7.2 [5].
- Selection:** IUT supports provision of diversion to the whole access. PICS: MC 10.2.

SCF_N02_003 clause 9.1.2.3

Ensure that the IUT, configured for provision of diversion on a per number basis and MSN not provided, on receipt of a FACILITY message containing a Facility information element coded as DeactivationSCF invoke component indicating "scfb" in the sCFProcedure parameter and indicating "individualNumber" in the servedUserNr parameter,

sends a FACILITY message containing a Facility information element with a valid DeactivationSCF return result component and

a FACILITY message (clause 8.3.2.4 of EN 300 196-1 [3]) containing a Facility information element with a valid DeactivationStatusNotificationSCF invoke component with the servedUserNr parameter set to "individualNumber".

- Selection:** IUT supports basic access, point-to-multipoint configuration? PICS: R 7.2 [5].
- Selection:** IUT supports coincident S and T reference point procedures. PICS R 3.1
- Selection:** IUT supports provision of diversion on a per number basis. PICS: MC 10.1.

SCF_N02_004 **clause 9.1.2.3**

Ensure that the IUT, configured for provision of diversion on a per number basis and MSN not provided, on receipt of a FACILITY message containing a Facility information element coded as DeactivationSCF invoke component indicating "scfb" in the sCFProcedure parameter and indicating "allNumbers" in the servedUserNr parameter,

sends a FACILITY message containing a Facility information element with a valid DeactivationSCF return result component and

a FACILITY message (clause 8.3.2.4 of EN 300 196-1 [3]) containing a Facility information element with a valid DeactivationStatusNotificationSCF invoke component with the servedUserNr parameter set to "individualNumber".

Selection: IUT supports basic access, point-to-multipoint configuration? PICS: R 7.2 [5].

Selection: IUT supports coincident S and T reference point procedures. PICS R 3.1

Selection: IUT supports provision of diversion on a per number basis. PICS: MC 10.1.

SCF_N02_005 **clause 9.1.2.3**

Ensure that the IUT, configured for provision of diversion on a per number basis and MSN provided, on receipt of a FACILITY message containing a Facility information element coded as DeactivationSCF invoke component indicating "scfb" in the sCFProcedure parameter and indicating "individualNumber" in the servedUserNr parameter,

sends a FACILITY message containing a Facility information element with a valid DeactivationSCF return result component and,

a FACILITY message (clause 8.3.2.4 of EN 300 196-1 [3]) containing a Facility information element with a valid DeactivationStatusNotificationSCF invoke component with the servedUserNr parameter set to "individualNumber".

Selection: IUT supports basic access, point-to-multipoint configuration? PICS: R 7.2 [5].

Selection: IUT supports coincident S and T reference point procedures. PICS R 3.1

Selection: IUT supports provision of diversion on a per number basis. PICS: MC 10.1.

SCF_N02_006 **clause 9.1.2.3**

Ensure that the IUT, configured for provision of diversion on a per number basis, MSN provided to the access, subscription option for the use of all numbers set to "no", on receipt of a FACILITY message containing a Facility information element coded as DeactivationSCF invoke component indicating "scfb" in the sCFProcedure parameter and indicating "allNumbers" in the servedUserNr parameter,

sends a FACILITY message containing a Facility information element with a valid DeactivationSCF return error component indicating "invalidServedUserNr".

Selection: IUT supports coincident S and T reference point procedures? PICS: R 3.1.

Selection: IUT supports provision of diversion on a per number basis. PICS: MC 10.1.

SCF_N02_007 **clause 9.1.2.3**

Ensure that the IUT, configured for provision of diversion on a per number basis, MSN provided to the access, subscription option for the use of all numbers set to "yes", on receipt of a FACILITY message containing a Facility information element coded as DeactivationSCF invoke component indicating "scfb" in the sCFProcedure parameter and indicating "allNumbers" in the servedUserNr parameter,

sends a FACILITY message containing a Facility information element with a valid DeactivationSCF return result component and,

a FACILITY message (clause 8.3.2.4 of EN 300 196-1 [3]) containing a Facility information element with a valid DeactivationStatusNotificationSCF invoke component with the servedUserNr parameter set to "allNumbers".

Selection: IUT supports basic access, point-to-multipoint configuration? PICS: R 7.2 [5].

Selection: IUT supports coincident S and T reference point procedures. PICS R 3.1

Selection: IUT supports provision of diversion on a per number basis. PICS: MC 10.1.

Selection: IUT supports activation, deactivation, interrogation for all numbers. PICS: MC 11.

SCF_N02_008 **clause 9.1.2.3**

Ensure that the IUT, configured for a single screening list, on receipt of a FACILITY message containing a Facility information element coded as DeactivationSCF invoke component indicating "scfb" in the sCFProcedure parameter and including no sCFListInUse parameter,

sends a FACILITY message containing a Facility information element with a valid DeactivationSCF return result component and,

a FACILITY message (clause 8.3.2.4 of EN 300 196-1 [3]) containing a Facility information element with a valid DeactivationStatusNotificationSCF invoke component with no sCFListInUse parameter.

Selection: IUT supports basic access, point-to-multipoint configuration? PICS: R 7.2 [5].

Selection: IUT supports SCF with a single screening list.

SCF_N02_009 **clause 9.1.2.3**

Ensure that the IUT, configured for more than one screening list, on receipt of a FACILITY message containing a Facility information element coded as DeactivationSCF invoke component indicating "scfb" in the sCFProcedure parameter and including the sCFListInUse parameter corresponding to a list which is in use,

sends a FACILITY message containing a Facility information element with a valid DeactivationSCF return result component and,

a FACILITY message (clause 8.3.2.4 of EN 300 196-1 [3]) containing a Facility information element with a valid DeactivationStatusNotificationSCF invoke component with the sCFListInUse parameter.

Selection: IUT supports basic access, point-to-multipoint configuration? PICS: R 7.2 [5].

Selection: IUT supports SCF with more than one screening list.

SCF_N02_010 **clause 9.1.2.3**

Ensure that the IUT, configured for provision of diversion to the whole access, on receipt of a FACILITY message containing a Facility information element coded as DeactivationSCF invoke component indicating "scfb" in the sCFProcedure parameter and indicating "individualNumber" in the servedUserNr parameter,

sends a FACILITY message containing a Facility information element with a valid DeactivationSCF return result component.

Selection: IUT does NOT support basic access, point-to-multipoint configuration? PICS: NOT R 7.2 [5].

Selection: IUT supports coincident S and T reference point procedures? PICS: R 3.1.

Selection: IUT supports provision of diversion to the whole access. PICS: MC 10.2.

SCF_N02_011 **clause 9.1.2.3**

Ensure that the IUT, configured for provision of diversion to the whole access, on receipt of a FACILITY message containing a Facility information element coded as DeactivationSCF invoke component indicating "scfb" in the sCFProcedure parameter and indicating "allNumbers" in the servedUserNr parameter,

sends a FACILITY message containing a Facility information element with a valid DeactivationSCF return result component.

Selection: IUT does NOT support basic access, point-to-multipoint configuration? PICS: NOT R 7.2 [5].

Selection: IUT supports provision of diversion to the whole access. PICS: MC 10.2.

SCF_N02_012 **clause 9.1.2.3**

Ensure that the IUT, configured for provision of diversion on a per number basis and MSN not provided to the access, on receipt of a FACILITY message containing a Facility information element coded as DeactivationSCF invoke component indicating "scfb" in the sCFProcedure parameter and indicating "individualNumber" in the servedUserNr parameter,

sends a FACILITY message containing a Facility information element with a valid DeactivationSCF return result component.

Selection: IUT does NOT support basic access, point-to-multipoint configuration? PICS: NOT MC 7.2 [5].

Selection: IUT supports coincident S and T reference point procedures? PICS: R 3.1.

Selection: IUT supports provision of diversion on a per number basis. PICS: MC 10.1.

SCF_N02_013 **clause 9.1.2.3**

Ensure that the IUT, configured for provision of diversion on a per number basis and MSN not provided to the access, on receipt of a FACILITY message containing a Facility information element coded as DeactivationSCF invoke component indicating "scfb" in the sCFProcedure parameter and indicating "allNumbers" in the servedUserNr parameter,

sends a FACILITY message containing a Facility information element with a valid DeactivationSCF return result component.

Selection: IUT does NOT support basic access, point-to-multipoint configuration? PICS: NOT R 7.2 [5].

Selection: IUT supports coincident S and T reference point procedures? PICS: R 3.1.

Selection: IUT supports provision of diversion on a per number basis. PICS: MC 10.1.

SCF_N02_014 **clause 9.1.2.3**

Ensure that the IUT, configured for provision of diversion on a per number basis and MSN provided to the access, on receipt of a FACILITY message containing a Facility information element coded as DeactivationSCF invoke component indicating "scfb" in the sCFProcedure parameter and indicating "individualNumber" in the servedUserNr parameter,

sends a FACILITY message containing a Facility information element with a valid DeactivationSCF return result component.

Selection: IUT does NOT support basic access, point-to-multipoint configuration? PICS: NOT R 7.2 [5].

Selection: IUT supports coincident S and T reference point procedures? PICS: R 3.1.

Selection: IUT supports provision of diversion on a per number basis. PICS: MC 10.1.

SCF_N02_015 **clause 9.1.2.3**

Ensure that the IUT, configured for provision of diversion on a per number basis, MSN provided to the access and subscription option for the use of all numbers is "yes", on receipt of a FACILITY message containing a Facility information element coded as DeactivationSCF invoke component indicating "scfb" in the sCFProcedure parameter and indicating "allNumbers" in the servedUserNr parameter,

sends a FACILITY message containing a Facility information element with a valid DeactivationSCF return result component.

Selection: IUT does NOT support basic access, point-to-multipoint configuration? PICS: NOT R 7.2 [5].

Selection: IUT supports coincident S and T reference point procedures? PICS: R 3.1.

Selection: IUT supports provision of diversion on a per number basis. PICS: MC 10.1.

Selection: IUT supports activation, deactivation, interrogation for all numbers. PICS: MC 11.

SCF_N02_016 **clause 9.1.2.3**

Ensure that the IUT, configured for a single screening list, on receipt of a FACILITY message containing a Facility information element coded as DeactivationSCF invoke component indicating "scfb" in the sCFProcedure parameter and including no sCFListInUse parameter,

sends a FACILITY message containing a Facility information element with a valid DeactivationSCF return result component.

Selection: IUT does NOT support basic access, point-to-multipoint configuration? PICS: NOT R 7.2 [5].

Selection: IUT supports SCF with a single screening list.

SCF_N02_017 **clause 9.1.2.3**

Ensure that the IUT, configured for more than one screening list, on receipt of a FACILITY message containing a Facility information element coded as DeactivationSCF invoke component indicating "scfb" in the sCFProcedure parameter and including the sCFListInUse parameter corresponding to a list which is in use,

sends a FACILITY message containing a Facility information element with a valid DeactivationSCF return result component.

Selection: IUT does NOT support basic access, point-to-multipoint configuration? PICS: NOT R 7.2 [5].

Selection: IUT supports SCF with more than one screening list.

SCF_N02_018 **clause 9.1.2.4**

Ensure that the IUT on receipt of a FACILITY message containing a Facility information element coded as DeactivationSCF invoke component indicating "scfb" in the sCFProcedure parameter and if the requested call forwarding supplementary service has not been subscribed to for the indicated basic service,

sends a FACILITY message containing a Facility information element with a valid DeactivationSCF return error component indicating "notSubscribed".

SCF_N02_019 **clause 9.1.2.4**

Ensure that the IUT on receipt of a FACILITY message containing a Facility information element coded as DeactivationSCF invoke component indicating "scfb" in the sCFProcedure parameter and if the requested call forwarding supplementary service is not available for the indicated basic service,

sends a FACILITY message containing a Facility information element with a valid DeactivationSCF return error component indicating "notAvailable".

SCF_N02_020 **clause 9.1.2.4**

Ensure that the IUT on receipt of a FACILITY message containing a Facility information element coded as DeactivationSCF invoke component indicating "scfb" in the sCFProcedure parameter and if the ISDN number provided to identify the served user is not a valid number,

sends a FACILITY message containing a Facility information element with a valid DeactivationSCF return error component indicating "invalidServedUserNr".

SCF_N02_021 **clause 9.1.2.4**

Ensure that the IUT on receipt of a FACILITY message containing a Facility information element coded as DeactivationSCF invoke component indicating "scfb" in the sCFProcedure parameter and if the supplementary service is not activated,

sends a FACILITY message containing a Facility information element with a valid DeactivationSCF return error component indicating "notActivated".

SCF_N02_022 **clause 9.1.2.4**

Ensure that the IUT on receipt of a FACILITY message containing a Facility information element coded as DeactivationSCF invoke component indicating "scfb" in the sCFProcedure parameter and indicating an incorrect identifier in the sCFListsInUse parameter,

sends a FACILITY message containing a Facility information element with a valid DeactivationSCF return error component indicating "invalidScreeningListID".

SCF_N02_023 **clause 9.1.2.4**

Ensure that the IUT, having sent a DeactivationSCF component (return result or return error), on receipt of a FACILITY message containing a Facility information element with a reject component,

sends no message.

SCF_N02_024 **clauses 9.1.2.4 and 10.6**

Ensure that the IUT, configured for provision of diversion to the whole access, on receipt of a FACILITY message containing a Facility information element coded as DeactivationSCF invoke component indicating "scfb" in the sCFProcedure parameter and indicating "individualNumber" in the servedUserNr parameter,

sends a FACILITY message containing a Facility information element with a valid DeactivationSCF return error component indicating "invalidServedUserNr".

Selection: T reference point procedures supported. PICS: R 3.2.

SCF_N02_025 clauses 9.1.2.3 and 10.7

Ensure that the IUT, configured for provision of diversion on DDI ranges, on receipt of a FACILITY message containing a Facility information element coded DeactivationSCF invoke component indicating "scfb" in the sCFProcedure parameter and indicating "individualNumber" identifying a DDI range in the servedUserNr parameter,

sends a FACILITY message containing a Facility information element with a valid DeactivationSCF return result component.

Selection: T reference point procedures supported. PICS: R 3.2.

Selection: IUT supports provision of diversion on DDI ranges. PICS: MC 10.3.

SCF_N02_026 clauses 9.1.2.4 and 10.7

Ensure that the IUT, configured for provision of diversion on DDI ranges, on receipt of a FACILITY message containing a Facility information element coded DeactivationSCF invoke component indicating "scfb" in the sCFProcedure parameter and indicating "individualNumber" not identifying a DDI range in the servedUserNr parameter,

sends a FACILITY message containing a Facility information element with a valid DeactivationSCF return error component indicating "invalidServedUserNr".

Selection: T reference point procedures supported. PICS: R 3.2.

Selection: IUT supports provision of diversion on DDI ranges. PICS: MC 10.3.

SCF_N02_027 clauses 9.1.2.4 and 10.7

Ensure that the IUT, configured for provision of diversion on DDI ranges and subscription option "Activation, deactivation and interrogation for all ISDN-numbers on the same access" is "no", on receipt of a FACILITY message containing a Facility information element coded DeactivationSCF invoke component indicating "scfb" in the sCFProcedure parameter and indicating "allNumbers" in the servedUserNr parameter,

sends a FACILITY message containing a Facility information element with a valid DeactivationSCF return error component indicating "invalidServedUserNr".

Selection: T reference point procedures supported. PICS: R 3.2.

Selection: IUT supports provision of diversion on DDI ranges. PICS: MC 10.3.

SCF_N02_028 clauses 9.1.2.3 and 10.7

Ensure that the IUT, configured for provision of diversion on DDI ranges and subscription option "Activation, deactivation and interrogation for all ISDN-numbers on the same access" is "yes", on receipt of a FACILITY message containing a Facility information element coded DeactivationSCF invoke component indicating "scfb" in the sCFProcedure parameter and indicating "allNumbers" in the servedUserNr parameter,

sends a FACILITY message containing a Facility information element with a valid DeactivationSCF return error component indicating "invalidServedUserNr".

Selection: T reference point procedures supported. PICS: R 3.2.

Selection: IUT supports provision of diversion on DDI ranges. PICS: MC 10.3.

Selection: IUT supports activation, deactivation, interrogation for all numbers. PICS: MC 11.

6.3.1.2 SCFU supplementary service

Selection: IUT supports SCFU supplementary services. PICS: R 1.3.2.

6.3.1.2.1 Activation

SCF_N03_001 clause 9.1.1.3

Ensure that the IUT, configured for provision of diversion to the whole access, on receipt of a FACILITY message containing a Facility information element coded as ActivationSCF invoke component indicating "scfu" in the sCFProcedure parameter and "individualNumber" in the servedUserNr parameter,

sends a FACILITY message containing a Facility information element with a valid ActivationSCF return result component and

a FACILITY message (clause 8.3.2.4 of EN 300 196-1 [3]) containing a Facility information element with a valid ActivationStatusNotificationSCF invoke component with the servedUserNr parameter set to "allNumbers".

- Selection:** IUT supports basic access, point-to-multipoint configuration? PICS: R 7.2 [5].
Selection: IUT supports coincident S and T reference point procedures. PICS R 3.1
Selection: IUT supports provision of diversion to the whole access. PICS: MC 10.2.

SCF_N03_002 **clause 9.1.1.3**

Ensure that the IUT, configured for provision of diversion to the whole access, on receipt of a FACILITY message containing a Facility information element coded as ActivationSCF invoke component indicating "scfu" in the sCFProcedure parameter and indicating "allNumbers" in the servedUserNr parameter,

sends a FACILITY message containing a Facility information element with a valid ActivationSCF return result component and

a FACILITY message (clause 8.3.2.4 of EN 300 196-1 [3]) containing a Facility information element with a valid ActivationStatusNotificationSCF invoke component with the servedUserNr parameter set to "allNumbers".

- Selection:** IUT supports basic access, point-to-multipoint configuration? PICS: R 7.2 [5].
Selection: IUT supports provision of diversion to the whole access. PICS: MC 10.2.

SCF_N03_003 **clause 9.1.1.3**

Ensure that the IUT, configured for provision of diversion on a per number basis and MSN not provided, on receipt of a FACILITY message containing a Facility information element coded as ActivationSCF invoke component indicating "scfu" in the sCFProcedure parameter and indicating "individualNumber" in the servedUserNr parameter,

sends a FACILITY message containing a Facility information element with a valid ActivationSCF return result component and

a FACILITY message (clause 8.3.2.4 of EN 300 196-1 [3]) containing a Facility information element with a valid ActivationStatusNotificationSCF invoke component with the servedUserNr parameter set to "individualNumber".

- Selection:** IUT supports basic access, point-to-multipoint configuration? PICS: R 7.2 [5].
Selection: IUT supports coincident S and T reference point procedures. PICS R 3.1
Selection: IUT supports provision of diversion on a per number basis. PICS: MC 10.1.

SCF_N03_004 **clause 9.1.1.3**

Ensure that the IUT, configured for provision of diversion on a per number basis and MSN not provided, on receipt of a FACILITY message containing a Facility information element coded as ActivationSCF invoke component indicating "scfu" in the sCFProcedure parameter and indicating "allNumbers" in the servedUserNr parameter,

sends a FACILITY message containing a Facility information element with a valid ActivationSCF return result component and

a FACILITY message (clause 8.3.2.4 of EN 300 196-1 [3]) containing a Facility information element with a valid ActivationStatusNotificationSCF invoke component with the servedUserNr parameter set to "individualNumber".

- Selection:** IUT supports basic access, point-to-multipoint configuration? PICS: R 7.2 [5].
Selection: IUT supports coincident S and T reference point procedures. PICS R 3.1
Selection: IUT supports provision of diversion on a per number basis. PICS: MC 10.1.

SCF_N03_005 **clause 9.1.1.3**

Ensure that the IUT, configured for provision of diversion on a per number basis and MSN provided, on receipt of a FACILITY message containing a Facility information element coded as ActivationSCF invoke component indicating "scfu" in the sCFProcedure parameter and indicating "individualNumber" in the servedUserNr parameter,

sends a FACILITY message containing a Facility information element with a valid ActivationSCF return result component and,

a FACILITY message (clause 8.3.2.4 of EN 300 196-1 [3]) containing a Facility information element with a valid ActivationStatusNotificationSCF invoke component with the servedUserNr parameter set to "individualNumber".

- Selection:** IUT supports basic access, point-to-multipoint configuration? PICS: R 7.2 [5].
Selection: IUT supports coincident S and T reference point procedures. PICS R 3.1
Selection: IUT supports provision of diversion on a per number basis. PICS: MC 10.1.

SCF_N03_006 **clause 9.1.1.3**

Ensure that the IUT, configured for provision of diversion on a per number basis, MSN provided to the access, subscription option for the use of all numbers set to "no", on receipt of a FACILITY message containing a Facility information element coded as ActivationSCF invoke component indicating "scfu" in the sCFProcedure parameter and indicating "allNumbers" in the servedUserNr parameter,

sends a FACILITY message containing a Facility information element with a valid ActivationSCF return error component indicating "invalidServedUserNr".

Selection: IUT supports coincident S and T reference point procedures? PICS: R 3.1.

Selection: IUT supports provision of diversion on a per number basis. PICS: MC 10.1.

SCF_N03_007 **clause 9.1.1.3**

Ensure that the IUT, configured for provision of diversion on a per number basis, MSN provided to the access, subscription option for the use of all numbers set to "yes", on receipt of a FACILITY message containing a Facility information element coded as ActivationSCF invoke component indicating "scfu" in the sCFProcedure parameter and indicating "allNumbers" in the servedUserNr parameter,

sends a FACILITY message containing a Facility information element with a valid ActivationSCF return result component and,

a FACILITY message (clause 8.3.2.4 of EN 300 196-1 [3]) containing a Facility information element with a valid ActivationStatusNotificationSCF invoke component with the servedUserNr parameter set to "allNumbers".

Selection: IUT supports basic access, point-to-multipoint configuration? PICS: R 7.2 [5].

Selection: IUT supports coincident S and T reference point procedures. PICS R 3.1

Selection: IUT supports provision of diversion on a per number basis. PICS: MC 10.1.

Selection: IUT supports activation, deactivation, interrogation for all numbers. PICS: MC 11.

SCF_N03_008 **clause 9.1.1.3**

Ensure that the IUT, configured for a single screening list, on receipt of a FACILITY message containing a Facility information element coded as ActivationSCF invoke component indicating "scfu" in the sCFProcedure parameter and with no sCFListInUse parameter,

sends a FACILITY message containing a Facility information element with a valid ActivationSCF return result component and,

a FACILITY message (clause 8.3.2.4 of EN 300 196-1 [3]) containing a Facility information element with a valid ActivationStatusNotificationSCF invoke component with no sCFListInUse parameter.

Selection: IUT supports basic access, point-to-multipoint configuration? PICS: R 7.2 [5].

Selection: IUT supports SCF with a single screening list.

SCF_N03_009 **clause 9.1.1.3**

Ensure that the IUT, configured for more than one screening list, on receipt of a FACILITY message containing a Facility information element coded as ActivationSCF invoke component indicating "scfu" in the sCFProcedure parameter and with a valid sCFListInUse parameter,

sends a FACILITY message containing a Facility information element with a valid ActivationSCF return result component.

a FACILITY message (clause 8.3.2.4 of EN 300 196-1 [3]) containing a Facility information element with a valid ActivationStatusNotificationSCF invoke component with the sCFListInUse parameter.

Selection: IUT supports basic access, point-to-multipoint configuration? PICS: R 7.2 [5].

Selection: IUT supports SCF with more than one screening list.

SCF_N03_010 **clause 9.1.1.3**

Ensure that the IUT, configured for provision of diversion to the whole access, on receipt of a FACILITY message containing a Facility information element coded as ActivationSCF invoke component indicating "scfu" in the sCFProcedure parameter and indicating "individualNumber" in the servedUserNr parameter,

sends a FACILITY message containing a Facility information element with a valid ActivationSCF return result component [5].

- Selection:** IUT does NOT support basic access, point-to-multipoint configuration? PICS: NOT R 7.2 [5].
Selection: IUT supports coincident S and T reference point procedures? PICS: R 3.1.
Selection: IUT supports provision of diversion to the whole access. PICS: MC 10.2.

SCF_N03_011 **clause 9.1.1.3**

Ensure that the IUT, configured for provision of diversion to the whole access, on receipt of a FACILITY message containing a Facility information element coded as ActivationSCF invoke component indicating "scfu" in the sCFProcedure parameter and indicating "allNumbers" in the servedUserNr parameter,

sends a FACILITY message containing a Facility information element with a valid ActivationSCF return result component.

- Selection:** IUT does NOT support basic access, point-to-multipoint configuration? PICS: NOT R 7.2 [5].
Selection: IUT supports provision of diversion to the whole access. PICS: MC 10.2.

SCF_N03_012 **clause 9.1.1.3**

Ensure that the IUT, configured for provision of diversion on a per number basis and MSN not provided to the access, on receipt of a FACILITY message containing a Facility information element coded as ActivationSCF invoke component indicating "scfu" in the sCFProcedure parameter and indicating "individualNumber" in the servedUserNr parameter,

sends a FACILITY message containing a Facility information element with a valid ActivationSCF return result component.

- Selection:** IUT does NOT support basic access, point-to-multipoint configuration? PICS: NOT MC 7.2 [5].
Selection: IUT supports coincident S and T reference point procedures? PICS: R 3.1.
Selection: IUT supports provision of diversion on a per number basis. PICS: MC 10.1.

SCF_N03_013 **clause 9.1.1.3**

Ensure that the IUT, configured for provision of diversion on a per number basis and MSN not provided to the access, on receipt of a FACILITY message containing a Facility information element coded as ActivationSCF invoke component indicating "scfu" in the sCFProcedure parameter and indicating "allNumbers" in the servedUserNr parameter,

sends a FACILITY message containing a Facility information element with a valid ActivationSCF return result component.

- Selection:** IUT does NOT support basic access, point-to-multipoint configuration? PICS: NOT R 7.2 [5].
Selection: IUT supports coincident S and T reference point procedures? PICS: R 3.1.
Selection: IUT supports provision of diversion on a per number basis. PICS: MC 10.1.

SCF_N03_014 **clause 9.1.1.3**

Ensure that the IUT, configured for provision of diversion on a per number basis and MSN provided to the access, on receipt of a FACILITY message containing a Facility information element coded as ActivationSCF invoke component indicating "scfu" in the sCFProcedure parameter and indicating "individualNumber" in the servedUserNr parameter,

sends a FACILITY message containing a Facility information element with a valid ActivationSCF return result component.

- Selection:** IUT does NOT support basic access, point-to-multipoint configuration? PICS: NOT R 7.2 [5].
Selection: IUT supports coincident S and T reference point procedures? PICS: R 3.1.
Selection: IUT supports provision of diversion on a per number basis. PICS: MC 10.1.

SCF_N03_015 **clause 9.1.1.3**

Ensure that the IUT, configured for provision of diversion on a per number basis, MSN provided to the access and subscription option for the use of all numbers is "yes", on receipt of a FACILITY message containing a Facility information element coded as ActivationSCF invoke component indicating "scfu" in the sCFProcedure parameter and indicating "allNumbers" in the servedUserNr parameter,

sends a FACILITY message containing a Facility information element with a valid ActivationSCF return result component.

- Selection:** IUT does NOT support basic access, point-to-multipoint configuration? PICS: NOT R 7.2 [5].
Selection: IUT supports coincident S and T reference point procedures? PICS: R 3.1.
Selection: IUT supports provision of diversion on a per number basis. PICS: MC 10.1.
Selection: IUT supports activation, deactivation, interrogation for all numbers. PICS: MC 11.

SCF_N03_016 **clause 9.1.1.3**

Ensure that the IUT, configured for a single screening list, on receipt of a FACILITY message containing a Facility information element coded as ActivationSCF invoke component indicating "scfu" in the sCFProcedure parameter and with no sCFListInUse parameter,

sends a FACILITY message containing a Facility information element with a valid ActivationSCF return result component.

- Selection:** IUT does NOT support basic access, point-to-multipoint configuration? PICS: NOT R 7.2 [5].
Selection: IUT supports SCF with a single screening list.

SCF_N03_017 **clause 9.1.1.3**

Ensure that the IUT, configured for more than one screening list, on receipt of a FACILITY message containing a Facility information element coded as ActivationSCF invoke component indicating "scfu" in the sCFProcedure parameter and with a valid sCFListInUse parameter,

sends a FACILITY message containing a Facility information element with a valid ActivationSCF return result component.

- Selection:** IUT does NOT support basic access, point-to-multipoint configuration? PICS: NOT R 7.2 [5].
Selection: IUT supports SCF with more than one screening list.

SCF_N03_018 **clause 9.1.1.4**

Ensure that the IUT, configured for more than one screening list, on receipt of a FACILITY message containing a Facility information element coded as ActivationSCF invoke component indicating "scfu" in the sCFProcedure parameter and without the sCFListsInUse parameter,

sends a FACILITY message containing a Facility information element with a valid ActivationSCF return error component indicating "noScreeningListSpecified".

- Selection:** IUT supports SCF with more than one screening list.

SCF_N03_019 **clause 9.1.1.4**

Ensure that the IUT on receipt of a FACILITY message containing a Facility information element coded as ActivationSCF invoke component indicating "scfu" in the sCFProcedure parameter and indicating an incorrect identifier in the sCFListsInUse parameter,

sends a FACILITY message containing a Facility information element with a valid ActivationSCF return error component indicating "invalidScreeningListID".

SCF_N03_020 **clause 9.1.1.4**

Ensure that the IUT on receipt of a FACILITY message containing a Facility information element coded as ActivationSCF invoke component indicating "scfu" in the sCFProcedure parameter and if the requested call forwarding supplementary service has not been subscribed to for any basic service,

sends a FACILITY message containing a Facility information element with a valid ActivationSCF return error component indicating "notSubscribed".

SCF_N03_021 **clause 9.1.1.4**

Ensure that the IUT on receipt of a FACILITY message containing a Facility information element coded as ActivationSCF invoke component indicating "scfu" in the sCFProcedure parameter and if the requested call forwarding supplementary service is not available for the indicated basic service,

sends a FACILITY message containing a Facility information element with a valid ActivationSCF return error component indicating "notAvailable".

SCF_N03_022 **clause 9.1.1.4**

Ensure that the IUT on receipt of a FACILITY message containing a Facility information element coded as ActivationSCF invoke component indicating "scfu" in the sCFProcedure parameter and if the ISDN number provided to identify the served user is not a valid number,

sends a FACILITY message containing a Facility information element with a valid ActivationSCF return error component indicating "invalidServedUserNr".

SCF_N03_023 **clause 9.1.1.4**

Ensure that the IUT on receipt of a FACILITY message containing a Facility information element coded as ActivationSCF invoke component indicating "scfu" in the sCFProcedure parameter and if the provision of the call forwarding supplementary service activation is constrained by an interactions procedure,

sends a FACILITY message containing a Facility information element with a valid ActivationSCF return error component indicating "supplementaryServiceInteractionNotAllowed".

SCF_N03_024 **clause 9.1.1.4**

Ensure that the IUT on receipt of a FACILITY message containing a Facility information element coded as ActivationSCF invoke component indicating "scfu" in the sCFProcedure parameter and if the served user has not subscribed to the basic service for which the call forwarding supplementary service was requested,

sends a FACILITY message containing a Facility information element with a valid ActivationSCF return error component indicating "basicServiceNotProvided".

SCF_N03_025 **clause 9.1.1.4**

Ensure that the IUT on receipt of a FACILITY message containing a Facility information element coded as ActivationSCF invoke component indicating "scfu" in the sCFProcedure parameter and if the resources required to perform adequately the requested call forwarding supplementary service are not available,

sends a FACILITY message containing a Facility information element with a valid ActivationSCF return error component indicating "resourceUnavailable".

SCF_N03_026 **clause 9.1.1.4**

Ensure that the IUT on receipt of a FACILITY message containing a Facility information element coded as ActivationSCF invoke component indicating "scfu" in the sCFProcedure parameter and if the indicated forwarded-to number cannot be accepted,

sends a FACILITY message containing a Facility information element with a valid ActivationSCF return error component indicating "InvalidDivertedToNr".

SCF_N03_027 **clause 9.1.1.4**

Ensure that the IUT on receipt of a FACILITY message containing a Facility information element coded as ActivationSCF invoke component indicating "scfu" in the sCFProcedure parameter and if the indicated forwarded-to number identifies a special service number and forwarding is prohibited to this special service number,

sends a FACILITY message containing a Facility information element with a valid ActivationSCF return error component indicating "specialServiceNr".

SCF_N03_028 **clause 9.1.1.4**

Ensure that the IUT on receipt of a FACILITY message containing a Facility information element coded as ActivationSCF invoke component indicating "scfu" in the sCFProcedure parameter and if the indicated forwarded-to number is identical to the ISDN number identifying the served user,

sends a FACILITY message containing a Facility information element with a valid ActivationSCF return error component indicating "diversionToServedUserNr".

SCF_N03_029 **clause 9.1.1.4**

Ensure that the IUT, having sent a ActivationSCF component (return result or return error), on receipt of a FACILITY message containing a Facility information element with a reject component,

sends no message.

SCF_N03_030 **clauses 9.1.1.4 and 10.6**

Ensure that the IUT, configured for provision of diversion to the whole access, on receipt of a FACILITY message containing a Facility information element coded as ActivationSCF invoke component indicating "scfu" in the sCFProcedure parameter and indicating "individualNumber" in the servedUserNr parameter,

sends a FACILITY message containing a Facility information element with a valid ActivationSCF return error component.

Selection: T reference point procedures supported. PICS: R 3.2.

SCF_N03_031 **clauses 9.1.1.3 and 10.7**

Ensure that the IUT, configured for provision of diversion on DDI ranges, on receipt of a FACILITY message containing a Facility information element coded as ActivationSCF invoke component indicating "scfu" in the sCFProcedure parameter and indicating "individualNumber" identifying a DDI range in the servedUserNr parameter,

sends a FACILITY message containing a Facility information element with a valid ActivationSCF return result component.

Selection: T reference point procedures supported. PICS: R 3.2.

Selection: IUT supports provision of diversion on DDI ranges. PICS: MC 10.3.

SCF_N03_032 **clauses 9.1.1.4 and 10.7**

Ensure that the IUT, configured for provision of diversion on DDI ranges, on receipt of a FACILITY message containing a Facility information element coded as ActivationSCF invoke component indicating "scfu" in the sCFProcedure parameter and indicating "individualNumber" not identifying a DDI range in the servedUserNr parameter,

sends a FACILITY message containing a Facility information element with a valid ActivationSCF return error component indicating "invalidServedUserNr".

Selection: T reference point procedures supported. PICS: R 3.2.

Selection: IUT supports provision of diversion on DDI ranges. PICS: MC 10.3.

SCF_N03_033 **clauses 9.1.1.4 and 10.7**

Ensure that the IUT, configured for provision of diversion on DDI ranges and subscription option "Activation, deactivation and interrogation for all ISDN-numbers on the same access" is "no", on receipt of a FACILITY message containing a Facility information element coded as ActivationSCF invoke component indicating "scfu" in the sCFProcedure parameter and indicating "allNumbers" in the servedUserNr parameter,

sends a FACILITY message containing a Facility information element with a valid ActivationSCF return error component indicating "invalidServedUserNr".

Selection: T reference point procedures supported. PICS: R 3.2.

Selection: IUT supports provision of diversion on DDI ranges. PICS: MC 10.3.

SCF_N03_034 **clauses 9.1.1.3 and 10.7**

Ensure that the IUT, configured for provision of diversion on DDI ranges and subscription option "Activation, deactivation and interrogation for all ISDN-numbers on the same access" is "yes", on receipt of a FACILITY message containing a Facility information element coded ActivationSCF invoke component indicating "scfu" in the sCFProcedure parameter and indicating "allNumbers" in the servedUserNr parameter,

sends a FACILITY message containing a Facility information element with a valid ActivationSCF return result component.

Selection: T reference point procedures supported. PICS: R 3.2.

Selection: IUT supports provision of diversion on DDI ranges. PICS: MC 10.3.

Selection: IUT supports activation, deactivation, interrogation for all numbers. PICS: MC 11.

6.3.1.2.2 Deactivation

SCF_N04_001 clause 9.1.2.3

Ensure that the IUT, configured for provision of diversion to the whole access, on receipt of a FACILITY message containing a Facility information element coded as DeactivationSCF invoke component indicating "scfu" in the sCFProcedure parameter and "individualNumber" in the servedUserNr parameter,

sends a FACILITY message containing a Facility information element with a valid DeactivationSCF return result component and

a FACILITY message (clause 8.3.2.4 of EN 300 196-1 [3]) containing a Facility information element with a valid DeactivationStatusNotificationSCF invoke component with the servedUserNr parameter set to "allNumbers".

Selection: IUT supports basic access, point-to-multipoint configuration? PICS: R 7.2 [5].

Selection: IUT supports coincident S and T reference point procedures. PICS R 3.1

Selection: IUT supports provision of diversion to the whole access. PICS: MC 10.2.

SCF_N04_002 clause 9.1.2.3

Ensure that the IUT, configured for provision of diversion to the whole access, on receipt of a FACILITY message containing a Facility information element coded as DeactivationSCF invoke component indicating "scfu" in the sCFProcedure parameter and indicating "allNumbers" in the servedUserNr parameter,

sends a FACILITY message containing a Facility information element with a valid DeactivationSCF return result component and

a FACILITY message (clause 8.3.2.4 of EN 300 196-1 [3]) containing a Facility information element with a valid DeactivationStatusNotificationSCF invoke component with the servedUserNr parameter set to "allNumbers".

Selection: IUT supports basic access, point-to-multipoint configuration? PICS: R 7.2[5].

Selection: IUT supports provision of diversion to the whole access. PICS: MC 10.2.

SCF_N04_003 clause 9.1.2.3

Ensure that the IUT, configured for provision of diversion on a per number basis and MSN not provided, on receipt of a FACILITY message containing a Facility information element coded as DeactivationSCF invoke component indicating "scfu" in the sCFProcedure parameter and indicating "individualNumber" in the servedUserNr parameter,

sends a FACILITY message containing a Facility information element with a valid DeactivationSCF return result component and

a FACILITY message (clause 8.3.2.4 of EN 300 196-1 [3]) containing a Facility information element with a valid DeactivationStatusNotificationSCF invoke component with the servedUserNr parameter set to "individualNumber".

Selection: IUT supports basic access, point-to-multipoint configuration? PICS: R 7.2 [5].

Selection: IUT supports coincident S and T reference point procedures. PICS R 3.1

Selection: IUT supports provision of diversion on a per number basis. PICS: MC 10.1.

SCF_N04_004 clause 9.1.2.3

Ensure that the IUT, configured for provision of diversion on a per number basis and MSN not provided, on receipt of a FACILITY message containing a Facility information element coded as DeactivationSCF invoke component indicating "scfu" in the sCFProcedure parameter and indicating "allNumbers" in the servedUserNr parameter,

sends a FACILITY message containing a Facility information element with a valid DeactivationSCF return result component and

a FACILITY message (clause 8.3.2.4 of EN 300 196-1 [3]) containing a Facility information element with a valid DeactivationStatusNotificationSCF invoke component with the servedUserNr parameter set to "individualNumber".

Selection: IUT supports basic access, point-to-multipoint configuration? PICS: R 7.2 [5].

Selection: IUT supports coincident S and T reference point procedures. PICS R 3.1

Selection: IUT supports provision of diversion on a per number basis. PICS: MC 10.1.

SCF_N04_005 **clause 9.1.2.3**

Ensure that the IUT, configured for provision of diversion on a per number basis and MSN provided, on receipt of a FACILITY message containing a Facility information element coded as DeactivationSCF invoke component indicating "scfu" in the sCFProcedure parameter and indicating "individualNumber" in the servedUserNr parameter,

sends a FACILITY message containing a Facility information element with a valid DeactivationSCF return result component and,

a FACILITY message (clause 8.3.2.4 of EN 300 196-1 [3]) containing a Facility information element with a valid DeactivationStatusNotificationSCF invoke component with the servedUserNr parameter set to "individualNumber".

Selection: IUT supports basic access, point-to-multipoint configuration? PICS: R 7.2 [5].

Selection: IUT supports coincident S and T reference point procedures. PICS R 3.1

Selection: IUT supports provision of diversion on a per number basis. PICS: MC 10.1.

SCF_N04_006 **clause 9.1.2.3**

Ensure that the IUT, configured for provision of diversion on a per number basis, MSN provided to the access, subscription option for the use of all numbers set to "no", on receipt of a FACILITY message containing a Facility information element coded as DeactivationSCF invoke component indicating "scfu" in the sCFProcedure parameter and indicating "allNumbers" in the servedUserNr parameter,

sends a FACILITY message containing a Facility information element with a valid DeactivationSCF return error component indicating "invalidServedUserNr".

Selection: IUT supports coincident S and T reference point procedures? PICS: R 3.1.

Selection: IUT supports provision of diversion on a per number basis. PICS: MC 10.1.

SCF_N04_007 **clause 9.1.2.3**

Ensure that the IUT, configured for provision of diversion on a per number basis, MSN provided to the access, subscription option for the use of all numbers set to "yes", on receipt of a FACILITY message containing a Facility information element coded as DeactivationSCF invoke component indicating "scfu" in the sCFProcedure parameter and indicating "allNumbers" in the servedUserNr parameter,

sends a FACILITY message containing a Facility information element with a valid DeactivationSCF return result component and,

a FACILITY message (clause 8.3.2.4 of EN 300 196-1 [3]) containing a Facility information element with a valid DeactivationStatusNotificationSCF invoke component with the servedUserNr parameter set to "allNumbers".

Selection: IUT supports basic access, point-to-multipoint configuration? PICS: R 7.2 [5].

Selection: IUT supports coincident S and T reference point procedures. PICS R 3.1

Selection: IUT supports provision of diversion on a per number basis. PICS: MC 10.1.

Selection: IUT supports activation, deactivation, interrogation for all numbers. PICS: MC 11.

SCF_N04_008 **clause 9.1.2.3**

Ensure that the IUT, configured for a single screening list, on receipt of a FACILITY message containing a Facility information element coded as DeactivationSCF invoke component indicating "scfu" in the sCFProcedure parameter and including no sCFListInUse parameter,

sends a FACILITY message containing a Facility information element with a valid DeactivationSCF return result component and,

a FACILITY message (clause 8.3.2.4 of EN 300 196-1 [3]) containing a Facility information element with a valid DeactivationStatusNotificationSCF invoke component with no sCFListInUse parameter.

Selection: IUT supports basic access, point-to-multipoint configuration? PICS: R 7.2 [5].

Selection: IUT supports SCF with a single screening list.

SCF_N04_009 **clause 9.1.2.3**

Ensure that the IUT, configured for more than one screening list, on receipt of a FACILITY message containing a Facility information element coded as DeactivationSCF invoke component indicating "scfu" in the sCFProcedure parameter and including the sCFListInUse parameter corresponding to a list which is in use,

sends a FACILITY message containing a Facility information element with a valid DeactivationSCF return result component and,

a FACILITY message (clause 8.3.2.4 of EN 300 196-1 [3]) containing a Facility information element with a valid DeactivationStatusNotificationSCF invoke component with the sCFListInUse parameter.

Selection: IUT supports basic access, point-to-multipoint configuration? PICS: R 7.2 [5].

Selection: IUT supports SCF with more than one screening list.

SCF_N04_010 **clause 9.1.2.3**

Ensure that the IUT, configured for provision of diversion to the whole access, on receipt of a FACILITY message containing a Facility information element coded as DeactivationSCF invoke component indicating "scfu" in the sCFProcedure parameter and indicating "individualNumber" in the servedUserNr parameter,

sends a FACILITY message containing a Facility information element with a valid DeactivationSCF return result component.

Selection: IUT does NOT support basic access, point-to-multipoint configuration? PICS: NOT R 7.2 [5].

Selection: IUT supports coincident S and T reference point procedures? PICS: R 3.1.

Selection: IUT supports provision of diversion to the whole access. PICS: MC 10.2.

SCF_N04_011 **clause 9.1.2.3**

Ensure that the IUT, configured for provision of diversion to the whole access, on receipt of a FACILITY message containing a Facility information element coded as DeactivationSCF invoke component indicating "scfu" in the sCFProcedure parameter and indicating "allNumbers" in the servedUserNr parameter,

sends a FACILITY message containing a Facility information element with a valid DeactivationSCF return result component.

Selection: IUT does NOT support basic access, point-to-multipoint configuration? PICS: NOT R 7.2 [5].

Selection: IUT supports provision of diversion to the whole access. PICS: MC 10.2.

SCF_N04_012 **clause 9.1.2.3**

Ensure that the IUT, configured for provision of diversion on a per number basis and MSN not provided to the access, on receipt of a FACILITY message containing a Facility information element coded as DeactivationSCF invoke component indicating "scfu" in the sCFProcedure parameter and indicating "individualNumber" in the servedUserNr parameter,

sends a FACILITY message containing a Facility information element with a valid DeactivationSCF return result component.

Selection: IUT does NOT support basic access, point-to-multipoint configuration? PICS: NOT MC 7.2 [5].

Selection: IUT supports coincident S and T reference point procedures? PICS: R 3.1.

Selection: IUT supports provision of diversion on a per number basis. PICS: MC 10.1.

SCF_N04_013 **clause 9.1.2.3**

Ensure that the IUT, configured for provision of diversion on a per number basis and MSN not provided to the access, on receipt of a FACILITY message containing a Facility information element coded as DeactivationSCF invoke component indicating "scfu" in the sCFProcedure parameter and indicating "allNumbers" in the servedUserNr parameter,

sends a FACILITY message containing a Facility information element with a valid DeactivationSCF return result component.

Selection: IUT does NOT support basic access, point-to-multipoint configuration? PICS: NOT R 7.2 [5].

Selection: IUT supports coincident S and T reference point procedures? PICS: R 3.1.

Selection: IUT supports provision of diversion on a per number basis. PICS: MC 10.1.

SCF_N04_014 **clause 9.1.2.3**

Ensure that the IUT, configured for provision of diversion on a per number basis and MSN provided to the access, on receipt of a FACILITY message containing a Facility information element coded as DeactivationSCF invoke component indicating "scfu" in the sCFProcedure parameter and indicating "individualNumber" in the servedUserNr parameter,

sends a FACILITY message containing a Facility information element with a valid DeactivationSCF return result component.

Selection: IUT does NOT support basic access, point-to-multipoint configuration? PICS: NOT R 7.2 [5].

Selection: IUT supports coincident S and T reference point procedures? PICS: R 3.1.

Selection: IUT supports provision of diversion on a per number basis. PICS: MC 10.1.

SCF_N04_015 **clause 9.1.2.3**

Ensure that the IUT, configured for provision of diversion on a per number basis, MSN provided to the access and subscription option for the use of all numbers is "yes", on receipt of a FACILITY message containing a Facility information element coded as DeactivationSCF invoke component indicating "scfu" in the sCFProcedure parameter and indicating "allNumbers" in the servedUserNr parameter,

sends a FACILITY message containing a Facility information element with a valid DeactivationSCF return result component.

Selection: IUT does NOT support basic access, point-to-multipoint configuration? PICS: NOT R 7.2 [5].

Selection: IUT supports coincident S and T reference point procedures? PICS: R 3.1.

Selection: IUT supports provision of diversion on a per number basis. PICS: MC 10.1.

Selection: IUT supports activation, deactivation, interrogation for all numbers. PICS: MC 11.

SCF_N04_016 **clause 9.1.2.3**

Ensure that the IUT, configured for a single screening list, on receipt of a FACILITY message containing a Facility information element coded as DeactivationSCF invoke component indicating "scfu" in the sCFProcedure parameter and including no sCFListInUse parameter,

sends a FACILITY message containing a Facility information element with a valid DeactivationSCF return result component.

Selection: IUT does NOT support basic access, point-to-multipoint configuration? PICS: NOT R 7.2 [5].

Selection: IUT supports SCF with a single screening list.

SCF_N04_017 **clause 9.1.2.3**

Ensure that the IUT, configured for more than one screening list, on receipt of a FACILITY message containing a Facility information element coded as DeactivationSCF invoke component indicating "scfu" in the sCFProcedure parameter and including the sCFListInUse parameter corresponding to a list which is in use,

sends a FACILITY message containing a Facility information element with a valid DeactivationSCF return result component.

Selection: IUT does NOT support basic access, point-to-multipoint configuration? PICS: NOT R 7.2 [5].

Selection: IUT supports SCF with more than one screening list.

SCF_N04_018 **clause 9.1.2.4**

Ensure that the IUT on receipt of a FACILITY message containing a Facility information element coded as DeactivationSCF invoke component indicating "scfu" in the sCFProcedure parameter and if the requested call forwarding supplementary service has not been subscribed to for the indicated basic service,

sends a FACILITY message containing a Facility information element with a valid DeactivationSCF return error component indicating "notSubscribed".

SCF_N04_019 **clause 9.1.2.4**

Ensure that the IUT on receipt of a FACILITY message containing a Facility information element coded as DeactivationSCF invoke component indicating "scfu" in the sCFProcedure parameter and if the requested call forwarding supplementary service is not available for the indicated basic service,

sends a FACILITY message containing a Facility information element with a valid DeactivationSCF return error component indicating "notAvailable".

SCF_N04_020 **clause 9.1.2.4**

Ensure that the IUT on receipt of a FACILITY message containing a Facility information element coded as DeactivationSCF invoke component indicating "scfu" in the sCFProcedure parameter and if the ISDN number provided to identify the served user is not a valid number,

sends a FACILITY message containing a Facility information element with a valid DeactivationSCF return error component indicating "invalidServedUserNr".

SCF_N04_021 **clause 9.1.2.4**

Ensure that the IUT on receipt of a FACILITY message containing a Facility information element coded as DeactivationSCF invoke component indicating "scfu" in the sCFProcedure parameter and if the supplementary service is not activated,

sends a FACILITY message containing a Facility information element with a valid DeactivationSCF return error component indicating "notActivated".

SCF_N04_022 **clause 9.1.2.4**

Ensure that the IUT on receipt of a FACILITY message containing a Facility information element coded as DeactivationSCF invoke component indicating "scfu" in the sCFProcedure parameter and indicating an incorrect identifier in the sCFListsInUse parameter,

sends a FACILITY message containing a Facility information element with a valid DeactivationSCF return error component indicating "invalidScreeningListID".

SCF_N04_023 **clause 9.1.2.4**

Ensure that the IUT, having sent a DeactivationSCF component (return result or return error), on receipt of a FACILITY message containing a Facility information element with a reject component,

sends no message.

SCF_N04_024 **clauses 9.1.2.4 and 10.6**

Ensure that the IUT, configured for provision of diversion to the whole access, on receipt of a FACILITY message containing a Facility information element coded as DeactivationSCF invoke component indicating "scfu" in the sCFProcedure parameter and indicating "individualNumber" in the servedUserNr parameter,

sends a FACILITY message containing a Facility information element with a valid DeactivationSCF return error component indicating "invalidServedUserNr".

Selection: T reference point procedures supported. PICS: R 3.2.

SCF_N04_025 **clauses 9.1.2.3 and 10.7**

Ensure that the IUT, configured for provision of diversion on DDI ranges, on receipt of a FACILITY message containing a Facility information element coded DeactivationSCF invoke component indicating "scfu" in the sCFProcedure parameter and indicating "individualNumber" identifying a DDI range in the servedUserNr parameter,

sends a FACILITY message containing a Facility information element with a valid DeactivationSCF return result component.

Selection: T reference point procedures supported. PICS: R 3.2.

Selection: IUT supports provision of diversion on DDI ranges. PICS: MC 10.3.

SCF_N04_001 **clauses 9.1.2.4 and 10.7**

Ensure that the IUT, configured for provision of diversion on DDI ranges, on receipt of a FACILITY message containing a Facility information element coded DeactivationSCF invoke component indicating "scfu" in the sCFProcedure parameter and indicating "individualNumber" not identifying a DDI range in the servedUserNr parameter,

sends a FACILITY message containing a Facility information element with a valid DeactivationSCF return error component indicating "invalidServedUserNr".

Selection: T reference point procedures supported. PICS: R 3.2.

Selection: IUT supports provision of diversion on DDI ranges. PICS: MC 10.3.

SCF_N04_002 **clauses 9.1.2.4 and 10.7**

Ensure that the IUT, configured for provision of diversion on DDI ranges and subscription option "Activation, deactivation and interrogation for all ISDN-numbers on the same access" is "no", on receipt of a FACILITY message containing a Facility information element coded DeactivationSCF invoke component indicating "scfu" in the sCFProcedure parameter and indicating "allNumbers" in the servedUserNr parameter,

sends a FACILITY message containing a Facility information element with a valid DeactivationSCF return error component indicating "invalidServedUserNr".

Selection: T reference point procedures supported. PICS: R 3.2.

Selection: IUT supports provision of diversion on DDI ranges. PICS: MC 10.3.

SCF_N04_003 **clauses 9.1.2.3 and 10.7**

Ensure that the IUT, configured for provision of diversion on DDI ranges and subscription option "Activation, deactivation and interrogation for all ISDN-numbers on the same access" is "yes", on receipt of a FACILITY message containing a Facility information element coded DeactivationSCF invoke component indicating "scfu" in the sCFProcedure parameter and indicating "allNumbers" in the servedUserNr parameter,

sends a FACILITY message containing a Facility information element with a valid DeactivationSCF return error component indicating "invalidServedUserNr".

Selection: IUT supports provision of diversion on DDI ranges. PICS: MC 10.3.

Selection: T reference point procedures supported. PICS: R 3.2.

Selection: IUT supports activation, deactivation, interrogation for all numbers. PICS: MC 11.

6.3.1.3 **SCFNR supplementary service**

Selection: IUT supports SCFNR supplementary services. PICS: R 1.3.3.

6.3.1.3.1 **Activation****SCF_N05_001** **clause 9.1.1.3**

Ensure that the IUT, configured for provision of diversion to the whole access, on receipt of a FACILITY message containing a Facility information element coded as ActivationSCF invoke component indicating "scfnr" in the sCFProcedure parameter and "individualNumber" in the servedUserNr parameter,

sends a FACILITY message containing a Facility information element with a valid ActivationSCF return result component and

a FACILITY message (clause 8.3.2.4 of EN 300 196-1 [3]) containing a Facility information element with a valid ActivationStatusNotificationSCF invoke component with the servedUserNr parameter set to "allNumbers".

Selection: IUT supports basic access, point-to-multipoint configuration? PICS: R 7.2 [5].

Selection: IUT supports coincident S and T reference point procedures. PICS R 3.1

Selection: IUT supports provision of diversion to the whole access. PICS: MC 10.2.

SCF_N05_002 **clause 9.1.1.3**

Ensure that the IUT, configured for provision of diversion to the whole access, on receipt of a FACILITY message containing a Facility information element coded as ActivationSCF invoke component indicating "scfnr" in the sCFProcedure parameter and indicating "allNumbers" in the servedUserNr parameter,

sends a FACILITY message containing a Facility information element with a valid ActivationSCF return result component and

a FACILITY message (clause 8.3.2.4 of EN 300 196-1 [3]) containing a Facility information element with a valid ActivationStatusNotificationSCF invoke component with the servedUserNr parameter set to "allNumbers".

Selection: IUT supports basic access, point-to-multipoint configuration? PICS: R 7.2 [5].

Selection: IUT supports provision of diversion to the whole access. PICS: MC 10.2.

SCF_N05_003 **clause 9.1.1.3**

Ensure that the IUT, configured for provision of diversion on a per number basis and MSN not provided, on receipt of a FACILITY message containing a Facility information element coded as ActivationSCF invoke component indicating "scfnr" in the sCFProcedure parameter and indicating "individualNumber" in the servedUserNr parameter,

sends a FACILITY message containing a Facility information element with a valid ActivationSCF return result component and

a FACILITY message (clause 8.3.2.4 of EN 300 196-1 [3]) containing a Facility information element with a valid ActivationStatusNotificationSCF invoke component with the servedUserNr parameter set to "individualNumber".

Selection: IUT supports basic access, point-to-multipoint configuration? PICS: R 7.2 [5].

Selection: IUT supports coincident S and T reference point procedures. PICS R 3.1

Selection: IUT supports provision of diversion on a per number basis. PICS: MC 10.1.

SCF_N05_004 **clause 9.1.1.3**

Ensure that the IUT, configured for provision of diversion on a per number basis and MSN not provided, on receipt of a FACILITY message containing a Facility information element coded as ActivationSCF invoke component indicating "scfnr" in the sCFProcedure parameter and indicating "allNumbers" in the servedUserNr parameter,

sends a FACILITY message containing a Facility information element with a valid ActivationSCF return result component and

a FACILITY message (clause 8.3.2.4 of EN 300 196-1 [3]) containing a Facility information element with a valid ActivationStatusNotificationSCF invoke component with the servedUserNr parameter set to "individualNumber".

Selection: IUT supports basic access, point-to-multipoint configuration? PICS: R 7.2 [5].

Selection: IUT supports coincident S and T reference point procedures. PICS R 3.1

Selection: IUT supports provision of diversion on a per number basis. PICS: MC 10.1.

SCF_N05_005 **clause 9.1.1.3**

Ensure that the IUT, configured for provision of diversion on a per number basis and MSN provided, on receipt of a FACILITY message containing a Facility information element coded as ActivationSCF invoke component indicating "scfnr" in the sCFProcedure parameter and indicating "individualNumber" in the servedUserNr parameter,

sends a FACILITY message containing a Facility information element with a valid ActivationSCF return result component and,

a FACILITY message (clause 8.3.2.4 of EN 300 196-1 [3]) containing a Facility information element with a valid ActivationStatusNotificationSCF invoke component with the servedUserNr parameter set to "individualNumber".

Selection: IUT supports basic access, point-to-multipoint configuration? PICS: R 7.2 [5].

Selection: IUT supports coincident S and T reference point procedures. PICS R 3.1

Selection: IUT supports provision of diversion on a per number basis. PICS: MC 10.1.

SCF_N05_006 **clause 9.1.1.3**

Ensure that the IUT, configured for provision of diversion on a per number basis, MSN provided to the access, subscription option for the use of all numbers set to "no", on receipt of a FACILITY message containing a Facility information element coded as ActivationSCF invoke component indicating "scfnr" in the sCFProcedure parameter and indicating "allNumbers" in the servedUserNr parameter,

sends a FACILITY message containing a Facility information element with a valid ActivationSCF return error component indicating "invalidServedUserNr".

Selection: IUT supports coincident S and T reference point procedures? PICS: R 3.1.

Selection: IUT supports provision of diversion on a per number basis. PICS: MC 10.1.

SCF_N05_007 **clause 9.1.1.3**

Ensure that the IUT, configured for provision of diversion on a per number basis, MSN provided to the access, subscription option for the use of all numbers set to "yes", on receipt of a FACILITY message containing a Facility information element coded as ActivationSCF invoke component indicating "scfnr" in the sCFProcedure parameter and indicating "allNumbers" in the servedUserNr parameter,

sends a FACILITY message containing a Facility information element with a valid ActivationSCF return result component and,

a FACILITY message (clause 8.3.2.4 of EN 300 196-1 [3]) containing a Facility information element with a valid ActivationStatusNotificationSCF invoke component with the servedUserNr parameter set to "allNumbers".

- Selection:** IUT supports basic access, point-to-multipoint configuration? PICS: R 7.2 [5].
- Selection:** IUT supports coincident S and T reference point procedures. PICS R 3.1
- Selection:** IUT supports provision of diversion on a per number basis. PICS: MC 10.1.
- Selection:** IUT supports activation, deactivation, interrogation for all numbers. PICS: MC 11.

SCF_N05_008 **clause 9.1.1.3**

Ensure that the IUT, configured for a single screening list, on receipt of a FACILITY message containing a Facility information element coded as ActivationSCF invoke component indicating "scfnr" in the sCFProcedure parameter and with no sCFListInUse parameter,

sends a FACILITY message containing a Facility information element with a valid ActivationSCF return result component and,

a FACILITY message (clause 8.3.2.4 of EN 300 196-1 [3]) containing a Facility information element with a valid ActivationStatusNotificationSCF invoke component with no sCFListInUse parameter.

- Selection:** IUT supports basic access, point-to-multipoint configuration? PICS: R 7.2 [5].
- Selection:** IUT supports SCF with a single screening list.

SCF_N05_009 **clause 9.1.1.3**

Ensure that the IUT, configured for more than one screening list, on receipt of a FACILITY message containing a Facility information element coded as ActivationSCF invoke component indicating "scfnr" in the sCFProcedure parameter and with a valid sCFListInUse parameter,

sends a FACILITY message containing a Facility information element with a valid ActivationSCF return result component.

a FACILITY message (clause 8.3.2.4 of EN 300 196-1 [3]) containing a Facility information element with a valid ActivationStatusNotificationSCF invoke component with the sCFListInUse parameter.

- Selection:** IUT supports basic access, point-to-multipoint configuration? PICS: R 7.2 [5].
- Selection:** IUT supports SCF with more than one screening list.

SCF_N05_010 **clause 9.1.1.3**

Ensure that the IUT, configured for provision of diversion to the whole access, on receipt of a FACILITY message containing a Facility information element coded as ActivationSCF invoke component indicating "scfnr" in the sCFProcedure parameter and indicating "individualNumber" in the servedUserNr parameter,

sends a FACILITY message containing a Facility information element with a valid ActivationSCF return result component.

- Selection:** IUT does NOT support basic access, point-to-multipoint configuration? PICS: NOT R 7.2 [5].
- Selection:** IUT supports coincident S and T reference point procedures? PICS: R 3.1.
- Selection:** IUT supports provision of diversion to the whole access. PICS: MC 10.2.

SCF_N05_011 **clause 9.1.1.3**

Ensure that the IUT, configured for provision of diversion to the whole access, on receipt of a FACILITY message containing a Facility information element coded as ActivationSCF invoke component indicating "scfnr" in the sCFProcedure parameter and indicating "allNumbers" in the servedUserNr parameter,

sends a FACILITY message containing a Facility information element with a valid ActivationSCF return result component.

Selection: IUT does NOT support basic access, point-to-multipoint configuration? PICS: NOT R 7.2 [5].

Selection: IUT supports provision of diversion to the whole access. PICS: MC 10.2.

SCF_N05_012 **clause 9.1.1.3**

Ensure that the IUT, configured for provision of diversion on a per number basis and MSN not provided to the access, on receipt of a FACILITY message containing a Facility information element coded as ActivationSCF invoke component indicating "scfnr" in the sCFProcedure parameter and indicating "individualNumber" in the servedUserNr parameter,

sends a FACILITY message containing a Facility information element with a valid ActivationSCF return result component.

Selection: IUT does NOT support basic access, point-to-multipoint configuration? PICS: NOT MC 7.2 [5].

Selection: IUT supports coincident S and T reference point procedures? PICS: R 3.1.

Selection: IUT supports provision of diversion on a per number basis. PICS: MC 10.1.

SCF_N05_013 **clause 9.1.1.3**

Ensure that the IUT, configured for provision of diversion on a per number basis and MSN not provided to the access, on receipt of a FACILITY message containing a Facility information element coded as ActivationSCF invoke component indicating "scfnr" in the sCFProcedure parameter and indicating "allNumbers" in the servedUserNr parameter,

sends a FACILITY message containing a Facility information element with a valid ActivationSCF return result component.

Selection: IUT does NOT support basic access, point-to-multipoint configuration? PICS: NOT R 7.2 [5].

Selection: IUT supports coincident S and T reference point procedures? PICS: R 3.1.

Selection: IUT supports provision of diversion on a per number basis. PICS: MC 10.1.

SCF_N05_014 **clause 9.1.1.3**

Ensure that the IUT, configured for provision of diversion on a per number basis and MSN provided to the access, on receipt of a FACILITY message containing a Facility information element coded as ActivationSCF invoke component indicating "scfnr" in the sCFProcedure parameter and indicating "individualNumber" in the servedUserNr parameter,

sends a FACILITY message containing a Facility information element with a valid ActivationSCF return result component.

Selection: IUT does NOT support basic access, point-to-multipoint configuration? PICS: NOT R 7.2 [5].

Selection: IUT supports coincident S and T reference point procedures? PICS: R 3.1.

Selection: IUT supports provision of diversion on a per number basis. PICS: MC 10.1.

SCF_N05_015 **clause 9.1.1.3**

Ensure that the IUT, configured for provision of diversion on a per number basis, MSN provided to the access and subscription option for the use of all numbers is "yes", on receipt of a FACILITY message containing a Facility information element coded as ActivationSCF invoke component indicating "scfnr" in the sCFProcedure parameter and indicating "allNumbers" in the servedUserNr parameter,

sends a FACILITY message containing a Facility information element with a valid ActivationSCF return result component.

Selection: IUT does NOT support basic access, point-to-multipoint configuration? PICS: NOT R 7.2 [5].

Selection: IUT supports coincident S and T reference point procedures? PICS: R 3.1.

Selection: IUT supports provision of diversion on a per number basis. PICS: MC 10.1.

Selection: IUT supports activation, deactivation, interrogation for all numbers. PICS: MC 11.

SCF_N05_016 **clause 9.1.1.3**

Ensure that the IUT, configured for a single screening list, on receipt of a FACILITY message containing a Facility information element coded as ActivationSCF invoke component indicating "scfnr" in the sCFProcedure parameter and with no sCFLInUse parameter,

sends a FACILITY message containing a Facility information element with a valid ActivationSCF return result component.

Selection: IUT does NOT support basic access, point-to-multipoint configuration? PICS: NOT R 7.2 [5].

Selection: IUT supports SCF with a single screening list.

SCF_N05_017 **clause 9.1.1.3**

Ensure that the IUT, configured for more than one screening list, on receipt of a FACILITY message containing a Facility information element coded as ActivationSCF invoke component indicating "scfnr" in the sCFProcedure parameter and with a valid sCFListInUse parameter,

sends a FACILITY message containing a Facility information element with a valid ActivationSCF return result component.

Selection: IUT does NOT support basic access, point-to-multipoint configuration? PICS: NOT R 7.2 [5].

Selection: IUT supports SCF with more than one screening list.

SCF_N05_018 **clause 9.1.1.4**

Ensure that the IUT, configured for more than one screening list, on receipt of a FACILITY message containing a Facility information element coded as ActivationSCF invoke component indicating "scfnr" in the sCFProcedure parameter and without the sCFListsInUse parameter,

sends a FACILITY message containing a Facility information element with a valid ActivationSCF return error component indicating "noScreeningListSpecified".

Selection: IUT supports SCF with more than one screening list.

SCF_N05_019 **clause 9.1.1.4**

Ensure that the IUT on receipt of a FACILITY message containing a Facility information element coded as ActivationSCF invoke component indicating "scfnr" in the sCFProcedure parameter and indicating an incorrect identifier in the sCFListsInUse parameter,

sends a FACILITY message containing a Facility information element with a valid ActivationSCF return error component indicating "invalidScreeningListID".

SCF_N05_020 **clause 9.1.1.4**

Ensure that the IUT on receipt of a FACILITY message containing a Facility information element coded as ActivationSCF invoke component indicating "scfnr" in the sCFProcedure parameter and if the requested call forwarding supplementary service has not been subscribed to for any basic service,

sends a FACILITY message containing a Facility information element with a valid ActivationSCF return error component indicating "notSubscribed".

SCF_N05_021 **clause 9.1.1.4**

Ensure that the IUT on receipt of a FACILITY message containing a Facility information element coded as ActivationSCF invoke component indicating "scfnr" in the sCFProcedure parameter and if the requested call forwarding supplementary service is not available for the indicated basic service,

sends a FACILITY message containing a Facility information element with a valid ActivationSCF return error component indicating "notAvailable".

SCF_N05_022 **clause 9.1.1.4**

Ensure that the IUT on receipt of a FACILITY message containing a Facility information element coded as ActivationSCF invoke component indicating "scfnr" in the sCFProcedure parameter and if the ISDN number provided to identify the served user is not a valid number,

sends a FACILITY message containing a Facility information element with a valid ActivationSCF return error component indicating "invalidServedUserNr".

SCF_N05_023 **clause 9.1.1.4**

Ensure that the IUT on receipt of a FACILITY message containing a Facility information element coded as ActivationSCF invoke component indicating "scfnr" in the sCFProcedure parameter and if the provision of the call forwarding supplementary service activation is constrained by an interactions procedure,

sends a FACILITY message containing a Facility information element with a valid ActivationSCF return error component indicating "supplementaryServiceInteractionNotAllowed".

SCF_N05_024 **clause 9.1.1.4**

Ensure that the IUT on receipt of a FACILITY message containing a Facility information element coded as ActivationSCF invoke component indicating "scfnr" in the sCFProcedure parameter and if the served user has not subscribed to the basic service for which the call forwarding supplementary service was requested,

sends a FACILITY message containing a Facility information element with a valid ActivationSCF return error component indicating "basicServiceNotProvided".

SCF_N05_025 **clause 9.1.1.4**

Ensure that the IUT on receipt of a FACILITY message containing a Facility information element coded as ActivationSCF invoke component indicating "scfnr" in the sCFProcedure parameter and if the resources required to perform adequately the requested call forwarding supplementary service are not available,

sends a FACILITY message containing a Facility information element with a valid ActivationSCF return error component indicating "resourceUnavailable".

SCF_N05_026 **clause 9.1.1.4**

Ensure that the IUT on receipt of a FACILITY message containing a Facility information element coded as ActivationSCF invoke component indicating "scfnr" in the sCFProcedure parameter and if the indicated forwarded-to number cannot be accepted,

sends a FACILITY message containing a Facility information element with a valid ActivationSCF return error component indicating "InvalidDivertedToNr".

SCF_N05_027 **clause 9.1.1.4**

Ensure that the IUT on receipt of a FACILITY message containing a Facility information element coded as ActivationSCF invoke component indicating "scfnr" in the sCFProcedure parameter and if the indicated forwarded-to number identifies a special service number and forwarding is prohibited to this special service number,

sends a FACILITY message containing a Facility information element with a valid ActivationSCF return error component indicating "specialServiceNr".

SCF_N05_028 **clause 9.1.1.4**

Ensure that the IUT on receipt of a FACILITY message containing a Facility information element coded as ActivationSCF invoke component indicating "scfnr" in the sCFProcedure parameter and if the indicated forwarded-to number is identical to the ISDN number identifying the served user,

sends a FACILITY message containing a Facility information element with a valid ActivationSCF return error component indicating "diversionToServedUserNr".

SCF_N05_029 **clause 9.1.1.4**

Ensure that the IUT, having sent a ActivationSCF component (return result or return error), on receipt of a FACILITY message containing a Facility information element with a reject component,

sends no message.

SCF_N05_030 **clauses 9.1.1.4 and 10.6**

Ensure that the IUT, configured for provision of diversion to the whole access, on receipt of a FACILITY message containing a Facility information element coded as ActivationSCF invoke component indicating "scfnr" in the sCFProcedure parameter and indicating "individualNumber" in the servedUserNr parameter,

sends a FACILITY message containing a Facility information element with a valid ActivationSCF return error component.

Selection: T reference point procedures supported. PICS: R 3.2.

SCF_N05_031 clauses 9.1.1.3 and 10.7

Ensure that the IUT, configured for provision of diversion on DDI ranges, on receipt of a FACILITY message containing a Facility information element coded as ActivationSCF invoke component indicating "scfnr" in the sCFProcedure parameter and indicating "individualNumber" identifying a DDI range in the servedUserNr parameter,

sends a FACILITY message containing a Facility information element with a valid ActivationSCF return result component.

Selection: T reference point procedures supported. PICS: R 3.2.

Selection: IUT supports provision of diversion on DDI ranges. PICS: MC 10.3.

SCF_N05_032 clauses 9.1.1.4 and 10.7

Ensure that the IUT, configured for provision of diversion on DDI ranges, on receipt of a FACILITY message containing a Facility information element coded as ActivationSCF invoke component indicating "scfnr" in the sCFProcedure parameter and indicating "individualNumber" not identifying a DDI range in the servedUserNr parameter,

sends a FACILITY message containing a Facility information element with a valid ActivationSCF return error component indicating "invalidServedUserNr".

Selection: T reference point procedures supported. PICS: R 3.2.

Selection: IUT supports provision of diversion on DDI ranges. PICS: MC 10.3.

SCF_N05_033 clauses 9.1.1.4 and 10.7

Ensure that the IUT, configured for provision of diversion on DDI ranges and subscription option "Activation, deactivation and interrogation for all ISDN-numbers on the same access" is "no", on receipt of a FACILITY message containing a Facility information element coded as ActivationSCF invoke component indicating "scfnr" in the sCFProcedure parameter and indicating "allNumbers" in the servedUserNr parameter,

sends a FACILITY message containing a Facility information element with a valid ActivationSCF return error component indicating "invalidServedUserNr".

Selection: T reference point procedures supported. PICS: R 3.2.

Selection: IUT supports provision of diversion on DDI ranges. PICS: MC 10.3.

SCF_N05_034 clauses 9.1.1.3 and 10.7

Ensure that the IUT, configured for provision of diversion on DDI ranges and subscription option "Activation, deactivation and interrogation for all ISDN-numbers on the same access" is "yes", on receipt of a FACILITY message containing a Facility information element coded ActivationSCF invoke component indicating "scfnr" in the sCFProcedure parameter and indicating "allNumbers" in the servedUserNr parameter,

sends a FACILITY message containing a Facility information element with a valid ActivationSCF return result component.

Selection: T reference point procedures supported. PICS: R 3.2.

Selection: IUT supports provision of diversion on DDI ranges. PICS: MC 10.3.

Selection: IUT supports activation, deactivation, interrogation for all numbers. PICS: MC 11.

6.3.1.3.2 Deactivation**SCF_N06_001** clause 9.1.2.3

Ensure that the IUT, configured for provision of diversion to the whole access, on receipt of a FACILITY message containing a Facility information element coded as DeactivationSCF invoke component indicating "scfnr" in the sCFProcedure parameter and "individualNumber" in the servedUserNr parameter,

sends a FACILITY message containing a Facility information element with a valid DeactivationSCF return result component and

a FACILITY message (clause 8.3.2.4 of EN 300 196-1 [3]) containing a Facility information element with a valid DeactivationStatusNotificationSCF invoke component with the servedUserNr parameter set to "allNumbers".

- Selection:** IUT supports basic access, point-to-multipoint configuration? PICS: R 7.2 [5].
Selection: IUT supports coincident S and T reference point procedures. PICS R 3.1
Selection: IUT supports provision of diversion to the whole access. PICS: MC 10.2.

SCF_N06_002 **clause 9.1.2.3**

Ensure that the IUT, configured for provision of diversion to the whole access, on receipt of a FACILITY message containing a Facility information element coded as DeactivationSCF invoke component indicating "scfnr" in the sCFProcedure parameter and indicating "allNumbers" in the servedUserNr parameter,

sends a FACILITY message containing a Facility information element with a valid DeactivationSCF return result component and

a FACILITY message (clause 8.3.2.4 of EN 300 196-1 [3]) containing a Facility information element with a valid DeactivationStatusNotificationSCF invoke component with the servedUserNr parameter set to "allNumbers".

- Selection:** IUT supports basic access, point-to-multipoint configuration? PICS: R 7.2 [5].
Selection: IUT supports provision of diversion to the whole access. PICS: MC 10.2.

SCF_N06_003 **clause 9.1.2.3**

Ensure that the IUT, configured for provision of diversion on a per number basis and MSN not provided, on receipt of a FACILITY message containing a Facility information element coded as DeactivationSCF invoke component indicating "scfnr" in the sCFProcedure parameter and indicating "individualNumber" in the servedUserNr parameter,

sends a FACILITY message containing a Facility information element with a valid DeactivationSCF return result component and

a FACILITY message (clause 8.3.2.4 of EN 300 196-1 [3]) containing a Facility information element with a valid DeactivationStatusNotificationSCF invoke component with the servedUserNr parameter set to "individualNumber".

- Selection:** IUT supports basic access, point-to-multipoint configuration? PICS: R 7.2 [5].
Selection: IUT supports coincident S and T reference point procedures. PICS R 3.1
Selection: IUT supports provision of diversion on a per number basis. PICS: MC 10.1.

SCF_N06_004 **clause 9.1.2.3**

Ensure that the IUT, configured for provision of diversion on a per number basis and MSN not provided, on receipt of a FACILITY message containing a Facility information element coded as DeactivationSCF invoke component indicating "scfnr" in the sCFProcedure parameter and indicating "allNumbers" in the servedUserNr parameter,

sends a FACILITY message containing a Facility information element with a valid DeactivationSCF return result component and

a FACILITY message (clause 8.3.2.4 of EN 300 196-1 [3]) containing a Facility information element with a valid DeactivationStatusNotificationSCF invoke component with the servedUserNr parameter set to "individualNumber".

- Selection:** IUT supports basic access, point-to-multipoint configuration? PICS: R 7.2 [5].
Selection: IUT supports coincident S and T reference point procedures. PICS R 3.1
Selection: IUT supports provision of diversion on a per number basis. PICS: MC 10.1.

SCF_N06_005 **clause 9.1.2.3**

Ensure that the IUT, configured for provision of diversion on a per number basis and MSN provided, on receipt of a FACILITY message containing a Facility information element coded as DeactivationSCF invoke component indicating "scfnr" in the sCFProcedure parameter and indicating "individualNumber" in the servedUserNr parameter,

sends a FACILITY message containing a Facility information element with a valid DeactivationSCF return result component and,

a FACILITY message (clause 8.3.2.4 of EN 300 196-1 [3]) containing a Facility information element with a valid DeactivationStatusNotificationSCF invoke component with the servedUserNr parameter set to "individualNumber".

Selection: IUT supports basic access, point-to-multipoint configuration? PICS: R 7.2 [5].

Selection: IUT supports coincident S and T reference point procedures. PICS R 3.1

Selection: IUT supports provision of diversion on a per number basis. PICS: MC 10.1.

SCF_N06_006 **clause 9.1.2.3**

Ensure that the IUT, configured for provision of diversion on a per number basis, MSN provided to the access, subscription option for the use of all numbers set to "no", on receipt of a FACILITY message containing a Facility information element coded as DeactivationSCF invoke component indicating "scfnr" in the sCFProcedure parameter and indicating "allNumbers" in the servedUserNr parameter,

sends a FACILITY message containing a Facility information element with a valid DeactivationSCF return error component indicating "invalidServedUserNr".

Selection: IUT supports coincident S and T reference point procedures? PICS: R 3.1.

Selection: IUT supports coincident S and T reference point procedures. PICS R 3.1

Selection: IUT supports provision of diversion on a per number basis. PICS: MC 10.1.

SCF_N06_007 **clause 9.1.2.3**

Ensure that the IUT, configured for provision of diversion on a per number basis, MSN provided to the access, subscription option for the use of all numbers set to "yes", on receipt of a FACILITY message containing a Facility information element coded as DeactivationSCF invoke component indicating "scfnr" in the sCFProcedure parameter and indicating "allNumbers" in the servedUserNr parameter,

sends a FACILITY message containing a Facility information element with a valid DeactivationSCF return result component and,

a FACILITY message (clause 8.3.2.4 of EN 300 196-1 [3]) containing a Facility information element with a valid DeactivationStatusNotificationSCF invoke component with the servedUserNr parameter set to "allNumbers".

Selection: IUT supports basic access, point-to-multipoint configuration? PICS: R 7.2 [5].

Selection: IUT supports provision of diversion on a per number basis. PICS: MC 10.1.

Selection: IUT supports activation, deactivation, interrogation for all numbers. PICS: MC 11.

SCF_N06_008 **clause 9.1.2.3**

Ensure that the IUT, configured for a single screening list, on receipt of a FACILITY message containing a Facility information element coded as DeactivationSCF invoke component indicating "scfnr" in the sCFProcedure parameter and including no sCFListInUse parameter,

sends a FACILITY message containing a Facility information element with a valid DeactivationSCF return result component and,

a FACILITY message (clause 8.3.2.4 of EN 300 196-1 [3]) containing a Facility information element with a valid DeactivationStatusNotificationSCF invoke component with no sCFListInUse parameter.

Selection: IUT supports basic access, point-to-multipoint configuration? PICS: R 7.2 [5].

Selection: IUT supports SCF with a single screening list.

SCF_N06_009 **clause 9.1.2.3**

Ensure that the IUT, configured for more than one screening list, on receipt of a FACILITY message containing a Facility information element coded as DeactivationSCF invoke component indicating "scfnr" in the sCFProcedure parameter and including the sCFListInUse parameter corresponding to a list which is in use,

sends a FACILITY message containing a Facility information element with a valid DeactivationSCF return result component and,

a FACILITY message (clause 8.3.2.4 of EN 300 196-1 [3]) containing a Facility information element with a valid DeactivationStatusNotificationSCF invoke component with the sCFListInUse parameter.

Selection: IUT supports basic access, point-to-multipoint configuration? PICS: R 7.2 [2].

Selection: IUT supports SCF with more than one screening list.

SCF_N06_010 **clause 9.1.2.3**

Ensure that the IUT, configured for provision of diversion to the whole access, on receipt of a FACILITY message containing a Facility information element coded as DeactivationSCF invoke component indicating "scfnr" in the sCFProcedure parameter and indicating "individualNumber" in the servedUserNr parameter,

sends a FACILITY message containing a Facility information element with a valid DeactivationSCF return result component.

Selection: IUT does NOT support basic access, point-to-multipoint configuration? PICS: NOT R 7.2 [5].

Selection: IUT supports coincident S and T reference point procedures? PICS: R 3.1.

Selection: IUT supports provision of diversion to the whole access. PICS: MC 10.2.

SCF_N06_011 **clause 9.1.2.3**

Ensure that the IUT, configured for provision of diversion to the whole access, on receipt of a FACILITY message containing a Facility information element coded as DeactivationSCF invoke component indicating "scfnr" in the sCFProcedure parameter and indicating "allNumbers" in the servedUserNr parameter,

sends a FACILITY message containing a Facility information element with a valid DeactivationSCF return result component.

Selection: IUT does NOT support basic access, point-to-multipoint configuration? PICS: NOT R 7.2 [5].

Selection: IUT supports provision of diversion to the whole access. PICS: MC 10.2.

SCF_N06_012 **clause 9.1.2.3**

Ensure that the IUT, configured for provision of diversion on a per number basis and MSN not provided to the access, on receipt of a FACILITY message containing a Facility information element coded as DeactivationSCF invoke component indicating "scfnr" in the sCFProcedure parameter and indicating "individualNumber" in the servedUserNr parameter,

sends a FACILITY message containing a Facility information element with a valid DeactivationSCF return result component.

Selection: IUT does NOT support basic access, point-to-multipoint configuration? PICS: NOT MC 7.2 [5].

Selection: IUT supports coincident S and T reference point procedures? PICS: R 3.1.

Selection: IUT supports provision of diversion on a per number basis. PICS: MC 10.1.

SCF_N06_013 **clause 9.1.2.3**

Ensure that the IUT, configured for provision of diversion on a per number basis and MSN not provided to the access, on receipt of a FACILITY message containing a Facility information element coded as DeactivationSCF invoke component indicating "scfnr" in the sCFProcedure parameter and indicating "allNumbers" in the servedUserNr parameter,

sends a FACILITY message containing a Facility information element with a valid DeactivationSCF return result component.

Selection: IUT does NOT support basic access, point-to-multipoint configuration? PICS: NOT R 7.2 [5].

Selection: IUT supports coincident S and T reference point procedures? PICS: R 3.1.

Selection: IUT supports provision of diversion on a per number basis. PICS: MC 10.1.

SCF_N06_014 **clause 9.1.2.3**

Ensure that the IUT, configured for provision of diversion on a per number basis and MSN provided to the access, on receipt of a FACILITY message containing a Facility information element coded as DeactivationSCF invoke component indicating "scfnr" in the sCFProcedure parameter and indicating "individualNumber" in the servedUserNr parameter,

sends a FACILITY message containing a Facility information element with a valid DeactivationSCF return result component.

Selection: IUT does NOT support basic access, point-to-multipoint configuration? PICS: NOT R 7.2 [5].

Selection: IUT supports coincident S and T reference point procedures? PICS: R 3.1.

Selection: IUT supports provision of diversion on a per number basis. PICS: MC 10.1.

SCF_N06_015 **clause 9.1.2.3**

Ensure that the IUT, configured for provision of diversion on a per number basis, MSN provided to the access and subscription option for the use of all numbers is "yes", on receipt of a FACILITY message containing a Facility information element coded as DeactivationSCF invoke component indicating "scfnr" in the sCFProcedure parameter and indicating "allNumbers" in the servedUserNr parameter,

sends a FACILITY message containing a Facility information element with a valid DeactivationSCF return result component.

Selection: IUT does NOT support basic access, point-to-multipoint configuration? PICS: NOT R 7.2 [5].

Selection: IUT supports coincident S and T reference point procedures? PICS: R 3.1.

Selection: IUT supports provision of diversion on a per number basis. PICS: MC 10.1.

Selection: IUT supports activation, deactivation, interrogation for all numbers. PICS: MC 11.

SCF_N06_016 **clause 9.1.2.3**

Ensure that the IUT, configured for a single screening list, on receipt of a FACILITY message containing a Facility information element coded as DeactivationSCF invoke component indicating "scfnr" in the sCFProcedure parameter and including no sCFListInUse parameter,

sends a FACILITY message containing a Facility information element with a valid DeactivationSCF return result component.

Selection: IUT does NOT support basic access, point-to-multipoint configuration? PICS: NOT R 7.2 [2].

Selection: IUT supports SCF with a single screening list.

SCF_N06_017 **clause 9.1.2.3**

Ensure that the IUT, configured for more than one screening list, on receipt of a FACILITY message containing a Facility information element coded as DeactivationSCF invoke component indicating "scfnr" in the sCFProcedure parameter and including the sCFListInUse parameter corresponding to a list which is in use,

sends a FACILITY message containing a Facility information element with a valid DeactivationSCF return result component.

Selection: IUT does NOT support basic access, point-to-multipoint configuration? PICS: NOT R 7.2 [2].

Selection: IUT supports SCF with more than one screening list.

SCF_N06_018 **clause 9.1.2.4**

Ensure that the IUT on receipt of a FACILITY message containing a Facility information element coded as DeactivationSCF invoke component indicating "scfnr" in the sCFProcedure parameter and if the requested call forwarding supplementary service has not been subscribed to for the indicated basic service,

sends a FACILITY message containing a Facility information element with a valid DeactivationSCF return error component indicating "notSubscribed".

SCF_N06_019 **clause 9.1.2.4**

Ensure that the IUT on receipt of a FACILITY message containing a Facility information element coded as DeactivationSCF invoke component indicating "scfnr" in the sCFProcedure parameter and if the requested call forwarding supplementary service is not available for the indicated basic service,

sends a FACILITY message containing a Facility information element with a valid DeactivationSCF return error component indicating "notAvailable".

SCF_N06_020 **clause 9.1.2.4**

Ensure that the IUT on receipt of a FACILITY message containing a Facility information element coded as DeactivationSCF invoke component indicating "scfnr" in the sCFProcedure parameter and if the ISDN number provided to identify the served user is not a valid number,

sends a FACILITY message containing a Facility information element with a valid DeactivationSCF return error component indicating "invalidServedUserNr".

SCF_N06_021 **clause 9.1.2.4**

Ensure that the IUT on receipt of a FACILITY message containing a Facility information element coded as DeactivationSCF invoke component indicating "scfnr" in the sCFProcedure parameter and if the supplementary service is not activated,

sends a FACILITY message containing a Facility information element with a valid DeactivationSCF return error component indicating "notActivated".

SCF_N06_022 **clause 9.1.2.4**

Ensure that the IUT on receipt of a FACILITY message containing a Facility information element coded as DeactivationSCF invoke component indicating "scfnr" in the sCFProcedure parameter and indicating an incorrect identifier in the sCFListsInUse parameter,

sends a FACILITY message containing a Facility information element with a valid DeactivationSCF return error component indicating "invalidScreeningListID".

SCF_N06_023 **clause 9.1.2.4**

Ensure that the IUT, having sent a DeactivationSCF component (return result or return error), on receipt of a FACILITY message containing a Facility information element with a reject component,

sends no message.

SCF_N06_024 **clauses 9.1.2.4 and 10.6**

Ensure that the IUT, configured for provision of diversion to the whole access, on receipt of a FACILITY message containing a Facility information element coded as DeactivationSCF invoke component indicating "scfnr" in the sCFProcedure parameter and indicating "individualNumber" in the servedUserNr parameter,

sends a FACILITY message containing a Facility information element with a valid DeactivationSCF return error component indicating "invalidServedUserNr".

Selection: T reference point procedures supported. PICS: R 3.2.

SCF_N06_025 **clauses 9.1.2.3 and 10.7**

Ensure that the IUT, configured for provision of diversion on DDI ranges, on receipt of a FACILITY message containing a Facility information element coded DeactivationSCF invoke component indicating "scfnr" in the sCFProcedure parameter and indicating "individualNumber" identifying a DDI range in the servedUserNr parameter,

sends a FACILITY message containing a Facility information element with a valid DeactivationSCF return result component.

Selection: T reference point procedures supported. PICS: R 3.2.

Selection: IUT supports provision of diversion on DDI ranges. PICS: MC 10.3.

SCF_N06_026 **clauses 9.1.2.4 and 10.7**

Ensure that the IUT, configured for provision of diversion on DDI ranges, on receipt of a FACILITY message containing a Facility information element coded DeactivationSCF invoke component indicating "scfnr" in the sCFProcedure parameter and indicating "individualNumber" not identifying a DDI range in the servedUserNr parameter,

sends a FACILITY message containing a Facility information element with a valid DeactivationSCF return error component indicating "invalidServedUserNr".

Selection: T reference point procedures supported. PICS: R 3.2.

Selection: IUT supports provision of diversion on DDI ranges. PICS: MC 10.3.

SCF_N06_001 **clauses 9.1.2.4 and 10.7**

Ensure that the IUT, configured for provision of diversion on DDI ranges and subscription option "Activation, deactivation and interrogation for all ISDN-numbers on the same access" is "no", on receipt of a FACILITY message containing a Facility information element coded DeactivationSCF invoke component indicating "scfnr" in the sCFProcedure parameter and indicating "allNumbers" in the servedUserNr parameter,

sends a FACILITY message containing a Facility information element with a valid DeactivationSCF return error component indicating "invalidServedUserNr".

Selection: T reference point procedures supported. PICS: R 3.2.

Selection: IUT supports provision of diversion on DDI ranges. PICS: MC 10.3.

SCF_N06_002 **clauses 9.1.2.3 and 10.7**

Ensure that the IUT, configured for provision of diversion on DDI ranges and subscription option "Activation, deactivation and interrogation for all ISDN-numbers on the same access" is "yes", on receipt of a FACILITY message containing a Facility information element coded DeactivationSCF invoke component indicating "scfnr" in the sCFProcedure parameter and indicating "allNumbers" in the servedUserNr parameter,

sends a FACILITY message containing a Facility information element with a valid DeactivationSCF return error component indicating "invalidServedUserNr".

Selection: T reference point procedures supported. PICS: R 3.2.

Selection: IUT supports provision of diversion on DDI ranges. PICS: MC 10.3.

Selection: IUT supports activation, deactivation, interrogation for all numbers. PICS: MC 11.

6.3.1.4 Interrogation - SCF

SCF_N07_001 **clause 9.1.4.3**

Ensure that the IUT on receipt of a FACILITY message containing a Facility information element with an InterrogationSCF invoke component including the sCFEveryList parameter set to "everyList",

sends a FACILITY message containing a Facility information element with a valid InterrogationSCF return result component including the IntResultSCF parameter coded as allSCFLists parameter.

SCF_N07_002 **clause 9.1.4.3**

Ensure that the IUT on receipt of a FACILITY message containing a Facility information element with an InterrogationSCF invoke component including the sCFEveryList parameter set to "onlyListsInUse",

sends a FACILITY message containing a Facility information element with a valid InterrogationSCF return result component including the IntResultSCF parameter coded as activatedSCFLists parameter.

SCF_N07_003 **clause 9.1.4.3**

Ensure that the IUT on receipt of a FACILITY message containing a Facility information element with an InterrogationSCF invoke component including the sCFEveryList parameter set to "onlyListsInUse" and no screening list is in use,

sends a FACILITY message containing a Facility information element with a valid InterrogationSCF return result component including an IntResultSCF parameter including an activatedSCFLists parameter containing no SCFInUse parameters.

SCF_N07_004 **clause 9.1.4.4**

Ensure that the IUT on receipt of a FACILITY message containing a Facility information element with an InterrogationSCF invoke component including the sCFEveryList parameter and if the call forwarding supplementary service has not been subscribed to for any basic service,

sends a FACILITY message containing a Facility information element with a valid InterrogationSCF return error component indicating "notSubscribed".

SCF_N07_005 **clause 9.1.4.4**

Ensure that the IUT on receipt of a FACILITY message containing a Facility information element with an InterrogationSCF invoke component including the sCFEveryList parameter and if the call forwarding supplementary service is not available for any basic service,

sends a FACILITY message containing a Facility information element with a valid InterrogationSCF return error component indicating "notAvailable".

SCF_N07_006 **clause 9.1.4.4**

Ensure that the IUT on receipt of a FACILITY message containing a Facility information element with an InterrogationSCF invoke component including the sCFEveryList parameter and if the ISDN number provided to identify the served user is not a valid number,

sends a FACILITY message containing a Facility information element with a valid InterrogationSCF return error component indicating "invalidServedUserNr".

SCF_N07_007 **clause 9.1.4.4**

Ensure that the IUT, having sent an InterrogationSCF component (return result or return error), on receipt of a FACILITY message containing a Facility information element with a reject component,

sends no message.

6.3.1.5 Interrogation - Screening List**SCF_N08_001** **clause 9.1.5.1**

Ensure that the IUT on receipt of a FACILITY message containing a Facility information element with an InterrogateSCFList invoke component,

sends a FACILITY message containing a Facility information element with a valid InterrogateSCFList return result component.

SCF_N08_002 **clause 9.1.5.2**

Ensure that the IUT on receipt of a FACILITY message containing a Facility information element with an InterrogateSCFList invoke component and if the call forwarding supplementary service has not been subscribed to for any basic service,

sends a FACILITY message containing a Facility information element with a valid InterrogateSCFList return error component indicating "notSubscribed".

SCF_N08_003 **clause 9.1.5.2**

Ensure that the IUT on receipt of a FACILITY message containing a Facility information element with an InterrogateSCFList invoke component and if the call forwarding supplementary service is not available for any basic service,

sends a FACILITY message containing a Facility information element with a valid InterrogateSCFList return error component indicating "notAvailable".

SCF_N08_004 **clause 9.1.5.2**

Ensure that the IUT on receipt of a FACILITY message containing a Facility information element with an InterrogateSCFList invoke component and if the ISDN number provided to identify the served user is not a valid number,

sends a FACILITY message containing a Facility information element with a valid InterrogateSCFList return error component indicating "invalidServedUserNr".

SCF_N08_005 **clause 9.1.5.2**

Ensure that the IUT on receipt of a FACILITY message containing a Facility information element with an InterrogateSCFList invoke component and if the identifier provided to identify the screening list is incorrect,

sends a FACILITY message containing a Facility information element with a valid InterrogateSCFList return error component indicating "invalidScreeningListID".

SCF_N08_006 **clause 9.1.5.2**

Ensure that the IUT, having sent an InterrogateSCFList component (return result or return error), on receipt of a FACILITY message containing a Facility information element with a reject component,

sends no message.

7 Compliance

An ATS which complies with this TSS&TP specification shall:

- a) consist of a set of test cases corresponding to the set or to a subset of the TPs specified in either 6.2 or 6.3;
- b) use a TSS which is an appropriate subset of the whole of the TSS specified in 5.1 or 5.2;
- c) use the same naming conventions for the test groups and test cases;
- d) maintain the relationship specified in clause 6 between the test groups and TPs and the entries in the PICS proforma to be used for test case deselection;
- e) comply with ISO/IEC 9646-2 [7].

In the case of a) or b) above, a subset shall be used only where a particular Abstract Test Method (ATM) makes some TPs untestable. All testable TPs from either 6.2 or 6.3 shall be included in a compliant ATS.

8 Requirements for a comprehensive testing service

As a minimum the Remote test method, as specified in ISO/IEC 9646-2 [7], shall be used by any organization claiming to provide a comprehensive testing service for user equipment claiming conformance to EN 300 207-1 [1].

Annex A (informative): Bibliography

ETSI EN 300 196-2: "Integrated Services Digital Network (ISDN); Generic functional protocol for the support of supplementary services; Digital Subscriber Signalling System No. one (DSS1) protocol; Part 2: Protocol Implementation Conformance Statement (PICS) proforma specification".

ETSI ETS 300 406: "Methods for Testing and Specification (MTS); Protocol and profile conformance testing specifications; Standardization methodology".

History

Document history		
Edition 1	October 1996	Publication as ETS 300 207-5
V1.2.3	August 1999	Publication
V3.1.1	February 2001	One-step Approval Procedure OAP 20010608: 2001-02-07 to 2001-06-08
V3.1.1	June 2001	Publication