

**Integrated Services Digital Network (ISDN);  
Supplementary service interactions;  
Digital Subscriber Signalling System No. one (DSS1) protocol;  
Part 6: Abstract Test Suite (ATS) and partial Protocol  
Implementation eXtra Information for Testing (PIXIT)  
proforma specification for the network**

---



---

**Reference**

REN/SPAN-05138-6

---

**Keywords**ISDN, DSS1, supplementary service, interaction,  
testing, ATS, PIXIT, network**ETSI**

---

650 Route des Lucioles  
F-06921 Sophia Antipolis Cedex - FRANCE

Tel.: +33 4 92 94 42 00 Fax: +33 4 93 65 47 16

Siret N° 348 623 562 00017 - NAF 742 C  
Association à but non lucratif enregistrée à la  
Sous-Préfecture de Grasse (06) N° 7803/88

---

**Important notice**

Individual copies of the present document can be downloaded from:

<http://www.etsi.org>

The present document may be made available in more than one electronic version or in print. In any case of existing or perceived difference in contents between such versions, the reference version is the Portable Document Format (PDF). In case of dispute, the reference shall be the printing on ETSI printers of the PDF version kept on a specific network drive within ETSI Secretariat.

Users of the present document should be aware that the document may be subject to revision or change of status. Information on the current status of this and other ETSI documents is available at <http://www.etsi.org/tb/status/>

If you find errors in the present document, send your comment to:  
editor@etsi.fr

---

**Copyright Notification**

No part may be reproduced except as authorized by written permission.  
The copyright and the foregoing restriction extend to reproduction in all media.

© European Telecommunications Standards Institute 2000.  
All rights reserved.

# Contents

Intellectual Property Rights .....	5
Foreword.....	5
1 Scope .....	6
2 References .....	6
3 Definitions and abbreviations.....	7
3.1 Definitions .....	7
3.2 Abbreviations .....	7
4 Abstract Test Method (ATM).....	8
4.1 Description of ATM used.....	8
4.2 Conventions for test components and PCOs .....	8
5 Untestable test purposes .....	9
6 ATS conventions .....	10
6.1 Declarations part .....	10
6.1.1 Type definitions .....	10
6.1.1.1 Simple type definitions .....	10
6.1.1.2 Structured type definitions .....	10
6.1.1.2.1 TTCN structured type definitions .....	10
6.1.1.2.2 ASN.1 structured type definitions .....	10
6.1.1.3 ASP type definitions .....	11
6.1.1.3.1 TTCN ASP type definitions .....	11
6.1.1.3.2 ASN.1 ASP type definitions .....	12
6.1.1.4 PDU type definitions.....	12
6.1.1.4.1 TTCN PDU type definitions.....	12
6.1.1.4.2 ASN.1 PDU type definitions .....	12
6.1.2 Test suite constants .....	12
6.1.3 Test suite parameters .....	12
6.1.4 Variables.....	13
6.1.4.1 Test suite variables.....	13
6.1.4.2 Test case variables.....	13
6.1.5 Test suite operation definitions.....	13
6.2 Constraints part .....	13
6.2.1 Structured type constraint declaration.....	13
6.2.2 ASN.1 type constraint declaration .....	13
6.2.2.1 Specification of encoding rules.....	14
6.2.3 ASP type constraint declaration.....	15
6.2.3.1 ASN.1 ASP type constraint declaration .....	15
6.2.3.2 TTCN ASP type constraint declaration.....	15
6.2.4 PDU type constraint declaration .....	16
6.2.4.1 ASN.1 PDU type constraint declaration.....	16
6.2.4.2 TTCN PDU type constraint declaration .....	16
6.2.5 Chaining of constraints .....	16
6.2.5.1 Static chaining.....	16
6.2.5.2 Dynamic chaining .....	16
6.2.6 Derived constraints .....	16
6.2.7 Parameterized constraints .....	16
6.2.8 Value assignment.....	16
6.2.8.1 Specific values .....	16
6.2.8.2 Matching values .....	17
6.3 Dynamic part.....	17
6.3.1 Test cases.....	17
6.3.2 Test steps .....	17
6.3.3 Defaults.....	17

7	ATS to TP map.....	17
8	PCTR conformance .....	17
9	PIXIT conformance.....	18
10	ATS conformance .....	18
<b>Annex A (normative): Protocol Conformance Test Report (PCTR) proforma.....</b>		<b>19</b>
A.1	Identification summary.....	19
A.1.1	Protocol conformance test report.....	19
A.1.2	IUT identification.....	19
A.1.3	Testing environment.....	20
A.1.4	Limits and reservations .....	20
A.1.5	Comments.....	20
A.2	IUT conformance status .....	20
A.3	Static conformance summary .....	20
A.4	Dynamic conformance summary.....	21
A.5	Static conformance review report.....	21
A.6	Test campaign report.....	21
A.7	Observations.....	26
<b>Annex B (normative): Partial PIXIT proforma .....</b>		<b>27</b>
B.1	Identification summary.....	27
B.2	Abstract test suite summary .....	27
B.3	Test laboratory.....	27
B.4	Client (of the test laboratory) .....	28
B.5	System Under Test (SUT).....	28
B.6	Protocol information.....	29
B.6.1	Protocol identification .....	29
B.6.2	Parameter values .....	29
B.6.3	Codings of information elements .....	30
B.6.4	Called party number and Calling party number values .....	31
B.6.5	Actions required to configure the IUT .....	32
B.6.6	Options supported by the IUT .....	33
B.6.7	Timer values.....	33
B.7	Basic call PIXIT items .....	34
B.7.1	Parameter values - information element codings.....	34
<b>Annex C (normative): Abstract Test Suite (ATS).....</b>		<b>35</b>
C.1	The TTCN Graphical form (TTCN.GR) .....	35
C.2	The TTCN Machine Processable form (TTCN.MP).....	35
<b>Annex D (informative): General structure of ATS.....</b>		<b>36</b>
	History .....	37

---

## Intellectual Property Rights

IPRs essential or potentially essential to the present document may have been declared to ETSI. The information pertaining to these essential IPRs, if any, is publicly available for **ETSI members and non-members**, and can be found in ETSI SR 000 314: "*Intellectual Property Rights (IPRs); Essential, or potentially Essential, IPRs notified to ETSI in respect of ETSI standards*", which is available from the ETSI Secretariat. Latest updates are available on the ETSI Web server (<http://www.etsi.org/ipr>).

Pursuant to the ETSI IPR Policy, no investigation, including IPR searches, has been carried out by ETSI. No guarantee can be given as to the existence of other IPRs not referenced in ETSI SR 000 314 (or the updates on the ETSI Web server) which are, or may be, or may become, essential to the present document.

---

## Foreword

This European Standard (Telecommunications series) has been produced by ETSI Technical Committee Services and Protocols for Advanced Networks (SPAN), and is now submitted for the Vote phase of the ETSI standards Two-step Approval Procedure.

The present document is part 6 of a multi-part deliverable covering the Digital Subscriber Signalling System No. one (DSS1) protocol specification for the Integrated Services Digital Network (ISDN) supplementary service interactions, as described below:

- Part 1: "Protocol specification";
- Part 2: "Protocol Implementation Conformance Statement (PICS) proforma specification";
- Part 3: "Test Suite Structure and Test Purposes (TSS&TP) specification for the user";
- Part 4: "Abstract Test Suite (ATS) and partial Protocol Implementation eXtra Information for Testing (PIXIT) proforma specification for the user";
- Part 5: "Test Suite Structure and Test Purposes (TSS&TP) specification for the network";
- Part 6: "Abstract Test Suite (ATS) and partial Protocol Implementation eXtra Information for Testing (PIXIT) proforma specification for the network".**

<b>Proposed national transposition dates</b>	
Date of latest announcement of this EN (doa):	3 months after ETSI publication
Date of latest publication of new National Standard or endorsement of this EN (dop/e):	6 months after doa
Date of withdrawal of any conflicting National Standard (dow):	6 months after doa

---

# 1 Scope

The present document specifies the Abstract Test Suite (ATS) and partial Protocol Implementation eXtra Information for Testing (PIXIT) proforma for the Network side of the T reference point or coincident S and T reference point (as defined in ITU-T Recommendation I.411 [10]) of implementations conforming to the stage three standard for the supplementary service interactions for the pan-European Integrated Services Digital Network (ISDN) by means of the Digital Subscriber Signalling System No. one (DSS1) protocol, EN 300 195-1 [1].

EN 300 195-5 [3] specifies the Test Suite Structure and Test Purposes (TSS&TP) related to this ATS and partial PIXIT proforma specification. Other parts specify the TSS&TP and the ATS and partial PIXIT proforma for the User side of the T reference point or coincident S and T reference point of implementations conforming to EN 300 195-1 [1].

---

# 2 References

The following documents contain provisions which, through reference in this text, constitute provisions of the present document.

- References are either specific (identified by date of publication, edition number, version number, etc.) or non-specific.
- For a specific reference, subsequent revisions do not apply.
- For a non-specific reference, the latest version applies.
- A non-specific reference to an ETS shall also be taken to refer to later versions published as an EN with the same number.

- [1] ETSI EN 300 195-1: "Integrated Services Digital Network (ISDN); Supplementary service interactions; Digital Subscriber Signalling System No. one (DSS1) protocol; Part 1: Protocol specification".
- [2] ETSI EN 300 195-2: "Integrated Services Digital Network (ISDN); Supplementary service interactions; Digital Subscriber Signalling System No. one (DSS1) protocol; Part 2: Protocol Implementation Conformance Statement (PICS) proforma specification".
- [3] ETSI EN 300 195-5: "Integrated Services Digital Network (ISDN); Supplementary service interactions; Digital Subscriber Signalling System No. one (DSS1) protocol; Part 5: Test Suite Structure and Test Purposes (TSS&TP) specification for the network".
- [4] ETSI EN 300 196-1: "Integrated Services Digital Network (ISDN); Generic functional protocol for the support of supplementary services; Digital Subscriber Signalling System No. one (DSS1) protocol; Part 1: Protocol specification".
- [5] ISO/IEC 9646-1: "Information technology - Open Systems Interconnection - Conformance testing methodology and framework - Part 1: General concepts".
- [6] ISO/IEC 9646-2: "Information technology - Open Systems Interconnection - Conformance testing methodology and framework - Part 2: Abstract Test Suite specification".
- [7] ISO/IEC 9646-3: "Information technology - Open Systems Interconnection - Conformance testing methodology and framework - Part 3: The Tree and Tabular Combined Notation (TTCN)".
- [8] ISO/IEC 9646-4: "Information technology - Open Systems Interconnection - Conformance testing methodology and framework - Part 4: Test realization".
- [9] ISO/IEC 9646-5: "Information technology - Open Systems Interconnection - Conformance testing methodology and framework - Part 5: Requirements on test laboratories and clients for the conformance assessment process".
- [10] ITU-T Recommendation I.411 (1993): "ISDN user-network interfaces - references configurations".

- [11] CCITT Recommendation X.209 (1988): "Specification of basic encoding rules for Abstract Syntax Notation One (ASN.1)".
- [12] ETSI EN 300 195-4: "Integrated Services Digital Network (ISDN); Supplementary service interactions; Digital Subscriber Signalling System No. one (DSS1) protocol; Part 4: Abstract Test Suite (ATS) and partial Protocol Implementation eXtra Information for Testing (PIXIT) proforma specification for the user".

---

## 3 Definitions and abbreviations

### 3.1 Definitions

For the purposes of the present document, the following terms and definitions apply:

**Abstract Test Suite (ATS):** see ISO/IEC 9646-1 [5]

**Implementation Under Test (IUT):** see ISO/IEC 9646-1 [5]

**Lower Tester (LT):** see ISO/IEC 9646-1 [5]

**Point of Control and Observation (PCO):** see ISO/IEC 9646-1 [5]

**Protocol Implementation Conformance Statement (PICS):** see ISO/IEC 9646-1 [5]

**PICS proforma:** see ISO/IEC 9646-1 [5]

**Protocol Implementation eXtra Information for Testing (PIXIT):** see ISO/IEC 9646-1 [5]

**PIXIT proforma:** see ISO/IEC 9646-1 [5]

**System Under Test (SUT):** see ISO/IEC 9646-1 [5]

**Upper Tester (UT):** see ISO/IEC 9646-1 [5]

### 3.2 Abbreviations

For the purposes of the present document, the following abbreviations apply:

ASP	Abstract Service Primitive
ATM	Abstract Test Method
ATS	Abstract Test Suite
BER	Basic Encoding Rules
ExTS	Executable Test Suite
FIE	Facility Information Element
IUT	Implementation Under Test
LT	Lower Tester
MOT	Means Of Testing
PCO	Point of Control and Observation
PCTR	Protocol Conformance Test Report
PDU	Protocol Data Unit
PICS	Protocol Implementation Conformance Statement
PIXIT	Protocol Implementation eXtra Information for Testing
SUT	System Under Test
TP	Test Purpose
TTCN	Tree and Tabular Combined Notation
UT	Upper Tester

## 4 Abstract Test Method (ATM)

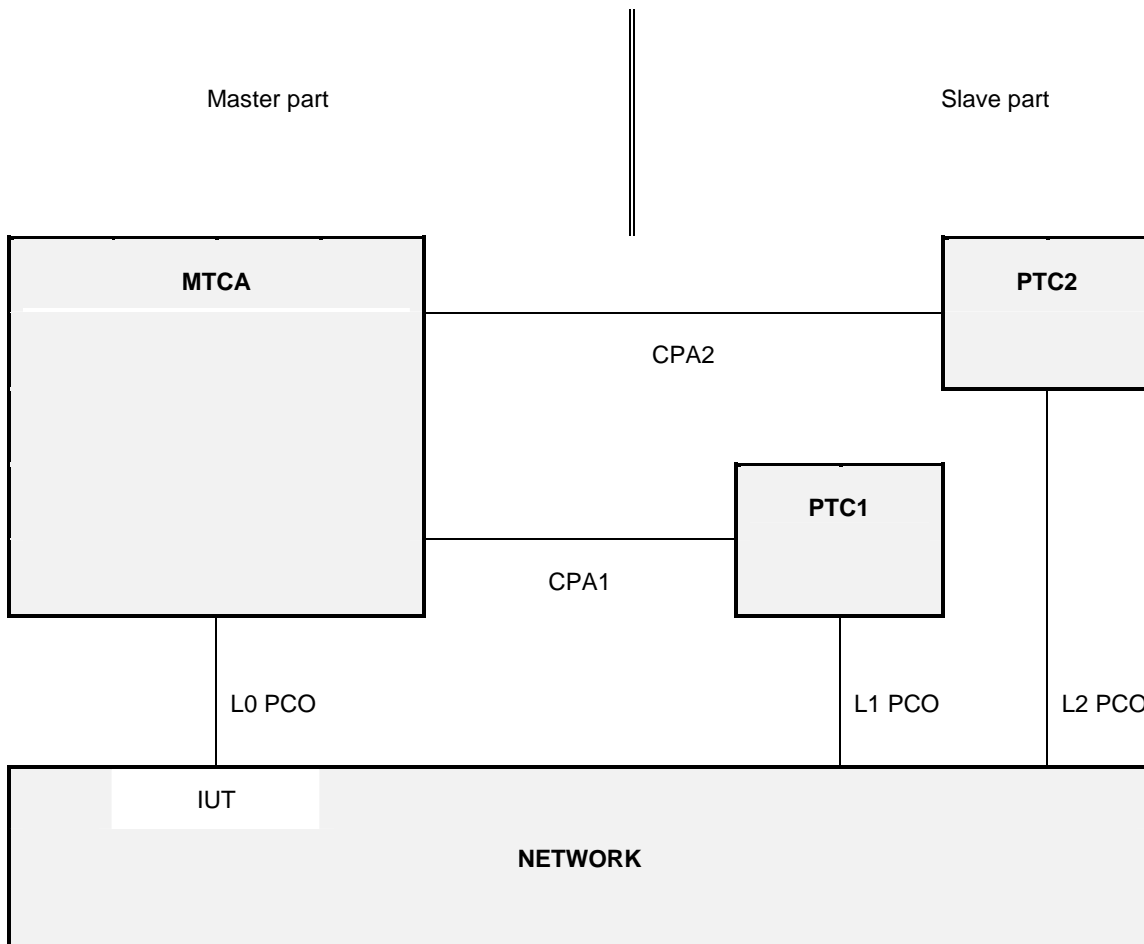
### 4.1 Description of ATM used

The requirement for testing the network IUT is to focus on the behaviour of the network IUT at the user-network interface where a T reference point or coincident S and T reference point applies. Thus the IUT is the network DSS1 protocol entity at a particular user-network interface and is not the whole network.

It is possible to specify an ATS based on a Single party (remote) test method for such an IUT. However, it is considered that an ATS based on such an approach is of limited use as the only way to specify IUT generated PDUs is to use the "implicit send" statement. Many users of such an ATS would replace the "implicit send" statements with descriptions of the behaviour at other interfaces.

An ATS based on a multi-party test method is considered to be more useful in that it is closer to how a real test suite would be constructed. Such a test method specifies behaviour at multiple network interfaces. One very important limitation here is that tests are focussed on one particular interface. Thus the test system is made up one Main Test Component (MTC) and one or more Parallel Test Components (PTC), see figure 1.

### 4.2 Conventions for test components and PCOs



**Figure 1: Multi-party test method**

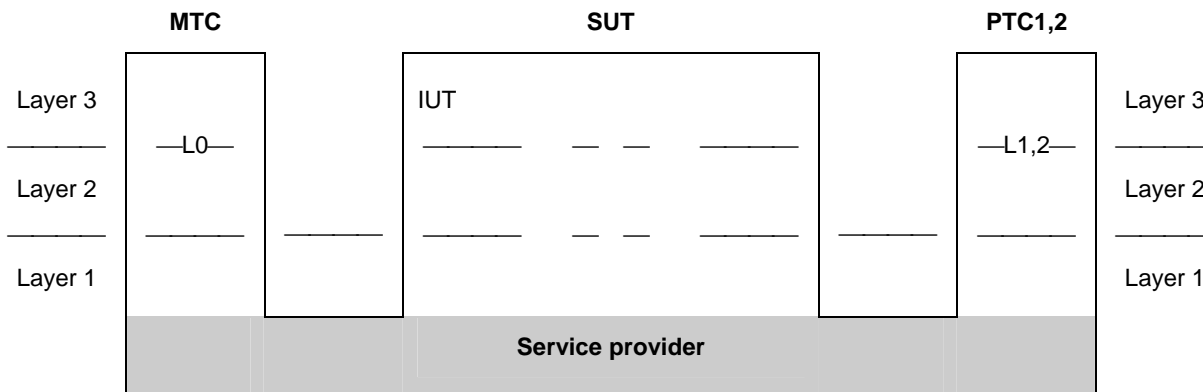
In a master/slave arrangement, the MTC is considered to be the master while the PTCs are the slaves. The "slave" testers are only an explicit description of how to deal with the "other" interfaces during the testing process, i.e. "how to make the IUT send the required message".



This means, in particular, that the verdict will only be assigned from the protocol aspects observed on *the* interface under test (i.e. by the "master" tester), as it would be observed by a terminal connected to this interface. A failure in the correlation between the protocol at the different interfaces to which the different testers are connected, i.e. in the mechanism of the functional service itself, will not cause a FAIL verdict. For instance, if the IUT fails to send a message on the tested interface after another interface has received the proper stimulus, the verdict will be INCONCLUSIVE.

The MTC MTCA has two functions in this configuration. Firstly, it has the MTC function of controlling the one or more PTCs. Thus it is responsible for starting the PTCs and afterwards coordinates activities by exchanging Coordination Messages (CM) with the PTCs. Secondly it is responsible for the behaviour of the Lower Tester (LT) at PCO L0.

A combination of the remote and multi-party test methods is applied. As can be seen from figure 1, several PCOs are used. All PCOs reside at the service access points between layers 2 and 3.



**Figure 2: Combination of the remote and multi-party test methods**

The MTC PCO is named "L0" ("L" for Lower). The L0 PCO is used to control and observe the behaviour of the IUT and test case verdicts are assigned depending on the behaviour observed at this PCO. The PTCs PTC1, PTC2 etc. use PCOs L1, L2 etc. These PCOs are used to control and, in a limited way, observe the behaviour of the network equipment at interfaces other than the one under test. No verdicts are assigned at these PCOs.

As stated in a previous paragraph, the non-receipt of network generated messages at L0, which are stimulated by events at the L1, L2 etc., will result in INCONCLUSIVE rather than FAIL verdicts being assigned.

PTC2 is only activated in a small set of test cases that test the handling of two calls at one time. In test cases which verify that the IUT rejects invalid or unacceptable SETUP messages, no PTC is activated at all, as these rejection procedures are considered local to the access between IUT and MTC.

The capability of the IUT to send INFORMATION and PROGRESS messages is tested in different call states. Implicit send events have to be used in this small set of test cases, as the sending of those messages cannot be triggered via a PTC. Separate PIXIT questions are asked for each call state, if and how it is possible for the test operator to cause the sending of the messages.

---

## 5 Untestable test purposes

The following test purposes have been found to be untestable:

SSI\_N50\_01\_001, SSI\_N50\_01\_003, and SSI\_N50\_01\_005

Due to the fact that the service OCB-F cannot be activated after the CCBS service has been activated.

---

## 6 ATS conventions

This clause is structured similarly to the structure of a TTCN ATS. However, the names of the subclauses are arranged in a way more suitable to the present document.

### 6.1 Declarations part

#### 6.1.1 Type definitions

##### 6.1.1.1 Simple type definitions

Where appropriate, simple types have a length, a value list or a range restriction attached.

Simple types defined as being of some string type (e.g. BIT STRING, OCTET STRING), have a length restriction or a value list attached.

Simple types, defined as being of INTEGER type, have a value list or a range restriction attached.

##### 6.1.1.2 Structured type definitions

###### 6.1.1.2.1 TTCN structured type definitions

All structured type definitions are provided with a full name.

All elements in every structured type definition, defined as being of some string type (e.g. BIT STRING, OCTET STRING), have a length restriction attached.

If an element in a structured type definition is defined as being of a referenced type, the (possible) restriction is defined in that referenced type.

For information elements the identifier, which is unique for each element, has its type defined as a simple type where the value list is restricted to the single value which is the identifier itself. This has the advantage that it allows a test system derived from this ATS to easily identify information elements embedded in messages. An ATS where information element identifiers are represented as unrestricted types can present difficulties for a derived test system in the case where it needs to find one information element embedded in a number of others and the constraints for the other elements have the any-or-omit value. In such a case the test system cannot easily find the beginning of each information element.

###### 6.1.1.2.2 ASN.1 structured type definitions

ASN.1 has been used for three major reasons. First, types defined in ASN.1 can model problems that "pure" TTCN cannot. For instance, data structures modelling ordered or unordered sequences of data are preferably defined in ASN.1. Second, ASN.1 provides a better restriction mechanism for type definitions by using sub-type definitions. Third, it is necessary to use ASN.1 to reproduce the type definitions for remote operation components as specified in the base standards.

The fact that ASN.1 provides a better restriction mechanism for type definitions is used for the purpose of achieving type-compatibility.

In table 1, the ASN.1 type BIT7OR15 is defined as being of type BIT STRING with a size constraint attached to it. The size is determined by the value of CR\_LENGTH, a test suite parameter. It can have the value of either 7 or 15. The type BIT7OR15 is used in the structured type CR, field cr\_r allowing this type to represent a Basic Access or a Primary Rate Access call reference. By using this type definition the field cr\_r is always type compatible with values of type BIT STRING (SIZE(7)) and BIT STRING (SIZE(15)). Another approach to solve this problem would be to define the type BIT7OR15 as BIT STRING (SIZE(7 | 15)). This type has a small disadvantage compared with the previous one. It is impossible, in run-time, to determine the actual length of any instance of this type.

**Table 1: ASN.1 type definition BIT7OR15**

ASN.1 Type Definition
<b>Type Name</b> : BIT7OR15
<b>Comments</b> :
Type Definition
BIT STRING(SIZE(CR_LENGTH))

Table 2 shows a typical use of ASN.1. The CHI element will have two different type definitions depending on whether it represents basic or primary rate access. In TTCN, this needs to be defined as two different types. In ASN.1 this can be done in one, the type being a choice of either BASIC\_CHI or PRIMARY\_CHI. These two types are then (locally) defined in the same table.

**Table 2: ASN.1 type definition CHI**

ASN.1 Type Definition
<b>Type Name</b> : CHI
<b>Comments</b> : Info Element Channel Identification
ETSI 300 102-1 clause 4.5.13
Type Definition
<pre>CHOICE {   basic    BASIC_CHI,   primary  PRIMARY_CHI }  -- Local type definitions --  BASIC_CHI ::= SEQUENCE {   chi_i      CHI_I,           -- Identifier   chi_l      BIT STRING(SIZE(8)), -- Length   chi_e3_cs  BIT STRING(SIZE(8)) -- Channel selection }  PRIMARY_CHI ::= SEQUENCE {   chi_i      CHI_I,           -- Identifier   chi_l      BIT STRING(SIZE(8)), -- Length   chi_e3_p1  BIT STRING(SIZE(4)), -- First nibble of Channel selection   chi_e3_pe  BIT STRING(SIZE(1)), -- Preferred/Exclusive Bit   chi_e3_p3  BIT STRING(SIZE(3)), -- Last three bits of Channel selection   chi_e4     BIT STRING(SIZE(8)), -- Channel type   chi_e5_ch1 BIT STRING(SIZE(1)),   chi_e5_ch2 BIT STRING(SIZE(7)) -- Channel number }</pre>

Table 3 shows an example of how ASN.1 can be used to model unordered sequences.

**Table 3: ASN.1 type definition FIES**

ASN.1 Type Definition
<b>Type Name</b> : FIES
<b>Comments</b> :
Type Definition
SET OF FIE

The possibility to use TTCN and ASN.1 in combination is used, i.e. referring to an ASN.1 type from a TTCN type.

### 6.1.1.3 ASP type definitions

#### 6.1.1.3.1 TTCN ASP type definitions

TTCN ASP type definitions only contain one PDU or no PDU at all. The relationship between an ASP type and a PDU type is one-to-one. That is, there exists one ASP type definition for each PDU type definition (if that ASP type contains a PDU).

All TTCN ASP type definitions are provided with a full identifier.

Some ASPs are not parameterized as shown in the example in table 4. Such ASPs are only used for requesting or receiving service from the lower layer.

**Table 4: TTCN ASP type definition DL\_REL\_IN**

TTCN ASP Type Definition		
ASP NAME : DL_REL_IN(DL_RELEASE_INDICATION)		
PCO Type : SAP		
Comments :		
Parameter Name	Parameter Type	Comments
Detailed Comments :		

Table 5 shows an example of a parameterized ASP. All ASPs containing PDUs contain only that PDU and no other parameters.

**Table 5: TTCN ASP type definition DL\_DATA\_RQ\_ALERT**

TTCN ASP Type Definition		
ASP NAME : DL_DATA_RQ_ALERT(DL_DATA_REQUEST)		
PCO Type : SAP		
Comments :		
Parameter Name	Parameter Type	Comments
mun (MessageUnit)	ALERT_PDU	
Detailed Comments :		

#### 6.1.1.3.2 ASN.1 ASP type definitions

There are no ASN.1 ASP type definitions in the ATS.

#### 6.1.1.4 PDU type definitions

##### 6.1.1.4.1 TTCN PDU type definitions

The TTCN PDU type reflects the actual data being transferred or received. All PDUs are embedded in ASPs.

If a specific PDU type definition contains elements defined in terms of a pre-defined type, that element has a restriction attached to it.

##### 6.1.1.4.2 ASN.1 PDU type definitions

There are no ASN.1 PDU type definitions in the ATS.

#### 6.1.2 Test suite constants

No test suite constants are used or defined in this ATS.

#### 6.1.3 Test suite parameters

Each test suite parameter is defined in terms of a predefined type or a referenced type. A referenced type is used when it is necessary to attach restrictions to these type definitions (it is not allowed to include restrictions directly in the test suite parameter table). The referenced type can have a length or value restriction attached to it in its declaration table.

## 6.1.4 Variables

### 6.1.4.1 Test suite variables

No test suite variables are used or defined in this ATS.

### 6.1.4.2 Test case variables

Each test case variable is defined in terms of a predefined type or a referenced type. A referenced type is used when it is necessary to attach restrictions to these type definitions (it is not allowed to include restrictions directly in the test case variable table). The referenced type can have a length or value restriction attached to it in its declaration table.

Where test case variables are used in constraints, they are passed as formal parameters.

## 6.1.5 Test suite operation definitions

The description part of a test suite operation definition uses either natural language or meta C.

**Table 6: Test suite operation definition ASSIGN\_CHI**

Test Suite Operation Definition	
<b>Operation Name</b>	: ASSIGN_CHI(basic, primary : CHI; basic_flag : BOOLEAN)
<b>Result Type</b>	: CHI
<b>Comments</b>	: This operation is used to assign a correct Channel identification information element to PDUs dependent on the type of access that is tested.
Description	
<pre>{ if(basic_flag)   return basic; else   return primary }</pre>	
<b>Detailed comments</b>	:

The test suite operation definition shown in table 6 is used in the constraints part when assigning an element of type CHI a value. As previously described, the CHI type can be defined in two ways depending on whether the ATS is testing basic or primary rate access. To avoid duplicate types and thereby duplicate test cases the CHI type is defined in ASN.1. This operation is used to assign a value to an element of CHI type. It takes three parameters:

```
primary:      a constraint of type CHI valid for primary rate access;
basic:        a constraint of type CHI valid for basic access;
basic_flag:   a Boolean value: TRUE if basic access is applicable, FALSE otherwise.
```

This operation returns the correct constraint according to the Boolean flag basic\_flag. That constraint will then be assigned to the specific element of type CHI.

## 6.2 Constraints part

### 6.2.1 Structured type constraint declaration

For every structured type definition there exists one or more structured type constraint.

### 6.2.2 ASN.1 type constraint declaration

Constraints of this type are used to assign the corresponding type a specific value. These constraints are used for the purpose of modelling unordered data or specific types that cannot be expressed in TTCN.

A value assigned to an element of type SET OF differs depending on whether it is a send or receive constraint.

Table 7: ASN.1 type constraint declaration fIEs (send constraint)

ASN.1 Type Constraint Declaration	
<b>Constraint Name</b> :	fIEs(comp : Component)
<b>ASN.1 Type</b> :	FIE
<b>Derivation Path</b> :	
<b>Comments</b> :	Send FIE which will contain one component "comp".
Description	
{	
informationElementIdentifier	'00011100'B,
length	CALC_FIE_LENGTH(comp),
extBit	'1'B,
spareBits	'00'B,
protocolProfile	'10001'B,
components	{comp}
}	
<b>Detailed comments</b> :	
NOTE: The last element in the constraint, named <i>components</i> , is of type <i>SET OF Component</i> where <i>Component</i> is structured data of some type.	

If the constraint is a send constraint (as in table 7) the value for the component element is stated as "{comp}" where comp is an argument received as a parameter. The "{" and "}" turns the value into a SET OF value which is correct according to that element's type definition.

Table 8: ASN.1 type constraint declaration fIEr (receive constraint)

ASN.1 Type Constraint Declaration	
<b>Constraint Name</b> :	fIEr(comp : Component)
<b>ASN.1 Type</b> :	FIE
<b>Derivation Path</b> :	
<b>Comments</b> :	A received FIE which can contain several components, but which contains at least "comp".
Description	
{	
informationElementIdentifier	'00011100'B,
length	'????????'B,
extBit	'1'B,
spareBits	'00'B,
protocolProfile	'10001'B,
components	SUPERSET({comp})
}	
<b>Detailed comments</b> :	
NOTE: The last element in the constraint, named <i>components</i> , is of type <i>SET OF Component</i> where <i>Component</i> is structured data of some type.	

If the constraint is a receive constraint (as in table 8) the corresponding matching value is assigned by using SUPERSET. The key-word SUPERSET has an argument that is type compatible with the type definition of that field. In table 8, the element named *components* is defined as "SET OF Component" and this implies that the argument to SUPERSET should be of type SET OF Component. This is achieved the same way as for send constraints, enclosing the value in curly brackets.

The semantic of SUPERSET is stated in ISO/IEC 9646-3 [7], subclause 11.6.4.7. In short it defines the semantic as follows: "A value that uses SUPERSET matches the incoming value if, and only if, the incoming value contains **at least all of the elements** defined within the SUPERSET, and **may contain more elements**". This is exactly the semantic definition used in this ATS.

### 6.2.2.1 Specification of encoding rules

At the time of specifying this ATS the mechanisms related to encoding of ASN.1 types, specified in DAM-2 of ISO/IEC 9646-3 [7], were not yet stable. Nevertheless as there is a variation in the encoding rules as applied to ASN.1 types and constraints specified in this ATS, a mechanism is used to differentiate the different encoding rules. Given the non-finalized status of DAM-2, a solution which is broadly in the spirit of DAM-2 has been created. Comment fields have been used as a means of including the encoding rules.

For ASN.1 used in this ATS, two variations of encoding rules are used. One is the commonly known Basic Encoding Rules (BER) as specified in CCITT Recommendation X.209 [11]. In the second case the encoding is according to ISDN, i.e. the ASN.1 data types are a representation of structures contained within the ISDN specification (basic call, Generic functional protocol or individual supplementary service). For example, if octets of an information element are specified in ASN.1 as a SEQUENCE then this should be encoded in an Executable Test Suite (ExTS) as any other ISDN information element specified using tabular TTCN. This ISDN encoding variation is the default encoding rule for this ATS. This means that all ASN.1 constraint tables are encoded using ISDN (non-BER) encoding unless stated otherwise. BER encoding should never be applied to an ASN.1 constraint where BER encoding has not been specified.

For BER encoding, an indication is given in the comments field of the table header. For this ATS such indications appear in the ASN.1 type constraint declaration tables only. In the first line of the table header comment field, the notation "ASN1\_Encoding: BER" is used.

Note that within BER, there are a number of variations for the encoding of lengths of fields. According to EN 300 196-1 [4], an IUT should be able to interpret all length forms within BER for received PDUs. When sending PDUs containing BER encoding, EN 300 196-1 [4] gives guidelines but makes no restrictions on the length forms within BER which an IUT may apply.

In relation to components sent by the tester to the IUT, implementors of this ATS shall use a variety of length forms such that at least one of each of the length forms is sent to the IUT during a test campaign. The variations of length forms to be used are indefinite, short definite and long definite.

In this particular ATS all ASN.1 type constraints which are of type "Component" are to be encoded using BER.

**Table 9: ASN.1 type constraint declaration showing use of encoding variation**

ASN.1 Type Constraint Declaration	
<b>Constraint Name</b>	: Beg3PTYinv
<b>ASN.1 Type</b>	: Component
<b>Derivation Path</b>	:
<b>Comments</b>	: ASN1_Encoding: BER Receive component: Begin3PTY invoke component
Description	
begin3PTY_Components	
begin3PTY_InvokeComp	
{ invokeID	? ,
operation_value	localValue 4}
<b>Detailed comments</b>	:

## 6.2.3 ASP type constraint declaration

### 6.2.3.1 ASN.1 ASP type constraint declaration

No ASN.1 ASP type constraint declaration exists in this ATS.

### 6.2.3.2 TTCN ASP type constraint declaration

For TTCN ASP constraint declarations there is a one-to-one relationship between its type and the constraint. That is, there is only one constraint for each TTCN ASP Type Declaration. The reason for this is that the ASPs are used only for carrying a specific PDU value. The many ASP constraints (and types) could have been avoided by using the meta type **PDU**, but that was not suitable as values inside a specific PDU have to be referenced. To reference elements inside a value of meta type **PDU** is not allowed according to ISO/IEC 9646-3 [7], so each ASP has to be defined as having a parameter of a specific PDU type.

In all ASP constraints the embedded PDU constraint is either chained static or "semi-dynamic". That is, the PDU constraint is always fixed to a specific ASP constraint but it (the PDU) may be parameterized.

All ASP constraints have a specific value for its parameter. No matching symbols are used in ASPs.

## 6.2.4 PDU type constraint declaration

### 6.2.4.1 ASN.1 PDU type constraint declaration

No ASN.1 PDU type constraint declaration exists in this ATS.

### 6.2.4.2 TTCN PDU type constraint declaration

PDU constraints are used for assigning values or patterns to the data being sent or received.

## 6.2.5 Chaining of constraints

### 6.2.5.1 Static chaining

Static chaining, that is a fixed reference to a specific constraint, is used in this ATS. The static chaining is used for static binding of both variables and sub-structures.

### 6.2.5.2 Dynamic chaining

Dynamic chaining is achieved when having a reference to a value which is unknown. The only thing known (before run-time) is the type of that reference. The reference is passed as a parameter. Strict dynamic chaining is not used in this ATS. What is used is something that is called "semi-dynamic chaining". The definition of semi-dynamic chaining is that the fixed reference is parameterized with an unknown value. That value is received as a parameter.

**Table 10: TTCN ASP constraint declaration A\_RST1**

TTCN ASP Constraint Declaration		
<b>Constraint Name</b> : A_RST1 (FLAG : INTEGER)		
<b>ASN.1 Type</b> : DL_DAT_IN_RESTARTr		
<b>Derivation Path</b> :		
<b>Comments</b> :		
Parameter Name	Parameter Value	Comments
mun	RST1 (FLAG)	RST1 (FLAG)
<b>Detailed comments</b> :		

Table 10 is an example of semi-dynamic chaining. The TTCN ASP constraint is parameterized with an INTEGER value named FLAG. That value is passed further down in the structure as a parameter to a static named PDU constraint reference.

## 6.2.6 Derived constraints

No derivation of any constraint is used. All constraints are considered to be base constraints.

## 6.2.7 Parameterized constraints

Parameterized constraints are used in this ATS.

## 6.2.8 Value assignment

### 6.2.8.1 Specific values

For specific value assignment both explicit values and references to explicit values are used.



### 6.2.8.2 Matching values

As matching values the following mechanisms are used:

- Instead of Value:
  - AnyOrOmit "\*"
  - AnyValue "?"
  - SuperSet SUPERSET
  - Omit "-"
- Inside value:
  - AnyOne "?"
  - AnyOrNone "\*"

## 6.3 Dynamic part

### 6.3.1 Test cases

Each test case contains the test purpose text from EN 300 195-5 [3]. To be able to read and understand the test case dynamic behaviour it is recommended that the test steps are understood first.

### 6.3.2 Test steps

Much use has been made of test steps to avoid needless repetition of dynamic behaviour. Many test steps are based on those used for the ISDN basic call ATS.

### 6.3.3 Defaults

Note the use of the RETURN statement which is defined in DAM1 of ISO/IEC 9646-3 [7]. This allows valid background behaviour to be handled in the default tree with a possibility to return to the original set of alternatives in the test case.

## 7 ATS to TP map

The identifiers used for the TPs are reused as test case names. Thus there is a straightforward one-to-one mapping.

## 8 PCTR conformance

A test laboratory, when requested by a client to produce a PCTR, is required, as specified in ISO/IEC 9646-5 [9], to produce a PCTR conformant with the PCTR template given in annex B of ISO/IEC 9646-5 [9].

Furthermore, a test laboratory, offering testing for the ATS specification contained in annex C, when requested by a client to produce a PCTR, is required to produce a PCTR conformant with the PCTR proforma contained in annex A of the present document.

A PCTR which conforms to this PCTR proforma specification shall preserve the content and ordering of the clauses contained in annex A. Clause A.6 of the PCTR may contain additional columns. If included, these shall be placed to the right of the existing columns. Text in italics may be retained by the test laboratory.

---

## 9 PIXIT conformance

A test realizer, producing an executable test suite for the ATS specification contained in annex C, is required, as specified in ISO/IEC 9646-4 [8], to produce an augmented partial PIXIT proforma conformant with this partial PIXIT proforma specification.

An augmented partial PIXIT proforma which conforms to this partial PIXIT proforma specification shall, as a minimum, have contents which are technically equivalent to annex B. The augmented partial PIXIT proforma may contain additional questions that need to be answered in order to prepare the Means Of Testing (MOT) for a particular IUT.

A test laboratory, offering testing for the ATS specification contained in annex C, is required, as specified in ISO/IEC 9646-5 [9], to further augment the augmented partial PIXIT proforma to produce a PIXIT proforma conformant with this partial PIXIT proforma specification.

A PIXIT proforma which conforms to this partial PIXIT proforma specification shall, as a minimum, have contents which are technically equivalent to annex B. The PIXIT proforma may contain additional questions that need to be answered in order to prepare the test laboratory for a particular IUT.

---

## 10 ATS conformance

The test realizer, producing MOT and ExTS for this ATS specification, shall comply with the requirements of ISO/IEC 9646-4 [8]. In particular, these concern the realization of an ExTS based on each ATS. The test realizer shall provide a statement of conformance of the MOT to this ATS specification.

An ExTS which conforms to this ATS specification shall contain test groups and test cases which are technically equivalent to those contained in the ATS in annex C. All sequences of test events comprising an abstract test case shall be capable of being realized in the executable test case. Any further checking which the test system might be capable of performing is outside the scope of this ATS specification and shall not contribute to the verdict assignment for each test case.

Test laboratories running conformance test services using this ATS shall comply with ISO/IEC 9646-5 [9].

A test laboratory which claims to conform to this ATS specification shall use an MOT which conforms to this ATS.

---

## Annex A (normative): Protocol Conformance Test Report (PCTR) proforma

Notwithstanding the provisions of the copyright clause related to the text of the present document, ETSI grants that users of the present document may freely reproduce the PCTR proforma in this annex so that it can be used for its intended purposes and may further publish the completed PCTR.

---

### A.1 Identification summary

#### A.1.1 Protocol conformance test report

PCTR number:	
PCTR date:	
Corresponding SCTR number:	
Corresponding SCTR date:	
Test laboratory identification:	
Test laboratory manager:	
Signature:	

#### A.1.2 IUT identification

Name:	
Version:	
Protocol specification:	EN 300 195-1
PICS:	
Previous PCTRs (if any):	

### A.1.3 Testing environment

PIXIT reference number:	
ATS specification:	EN 300 195-6
Abstract test method:	Remote test method (see ISO/IEC 9646-2)
Means of Testing identification:	
Dates of testing:	
Conformance log reference(s):	
Retention date for log reference(s):	

### A.1.4 Limits and reservations

*Additional information relevant to the technical contents or further use of the test report, or to the rights and obligations of the test laboratory and the client, may be given here. Such information may include restriction on the publication of the report.*

.....

.....

.....

.....

### A.1.5 Comments

*Additional comments may be given by either the client or the test laboratory on any of the contents of the PCTR, for example, to note disagreement between the two parties.*

.....

.....

.....

.....

---

## A.2 IUT conformance status

This IUT has/has not been shown by conformance assessment to be non-conforming to the specified protocol specification.

*Strike the appropriate words in this sentence. If the PICS for this IUT is consistent with the static conformance requirements (as specified in clause A.3 of this report) and there are no "FAIL" verdicts to be recorded (in clause A.6) strike the word "has", otherwise strike the words "has not".*

---

## A.3 Static conformance summary

The PICS for this IUT is/is not consistent with the static conformance requirements in the specified protocol.

*Strike the appropriate words in this sentence.*

## A.4 Dynamic conformance summary

The test campaign did/did not reveal errors in the IUT.

*Strike the appropriate words in this sentence. If there are no "FAIL" verdicts to be recorded (in clause A.6 of this report) strike the word "did", otherwise strike the words "did not".*

Summary of the results of groups of tests:

.....

.....

.....

.....

## A.5 Static conformance review report

If clause A.3 indicates non-conformance, this clause itemizes the mismatches between the PICS and the static conformance requirements of the specified protocol specification.

.....

.....

.....

.....

.....

.....

## A.6 Test campaign report

ATS reference	Selected? (Y/N)	Run? (Y/N)	Verdict	Observations
SSI_N01_01_001				
SSI_N01_01_002				
SSI_N01_02_001				
SSI_N02_01_001				
SSI_N02_01_002				
SSI_N02_02_001				
SSI_N02_02_002				
SSI_N02_02_003				
SSI_N02_02_004				
SSI_N02_03_001				
SSI_N02_03_002				
SSI_N03_01_001				
SSI_N03_01_002				
SSI_N04_01_001				
SSI_N04_01_002				
SSI_N04_02_001				
SSI_N04_02_002				
SSI_N04_03_001				
SSI_N04_03_002				
SSI_N04_04_001				
SSI_N04_04_002				
SSI_N04_05_001				

ATS reference	Selected? (Y/N)	Run? (Y/N)	Verdict	Observations
SSI_N04_05_002				
SSI_N04_05_003				
SSI_N04_05_004				
SSI_N04_05_005				
SSI_N04_05_006				
SSI_N04_06_001				
SSI_N05_01_001				
SSI_N05_01_002				
SSI_N05_02_001				
SSI_N05_02_002				
SSI_N05_03_001				
SSI_N05_03_002				
SSI_N05_03_003				
SSI_N05_04_001				
SSI_N06_01_001				
SSI_N06_01_002				
SSI_N06_02_001				
SSI_N06_02_002				
SSI_N06_03_001				
SSI_N06_03_002				
SSI_N06_03_003				
SSI_N06_03_004				
SSI_N06_03_005				
SSI_N06_03_006				
SSI_N06_04_001				
SSI_N07_01_001				
SSI_N07_01_002				
SSI_N07_02_001				
SSI_N07_02_002				
SSI_N07_03_001				
SSI_N07_03_002				
SSI_N07_03_003				
SSI_N07_04_001				
SSI_N09_01_001				
SSI_N09_01_002				
SSI_N09_01_003				
SSI_N09_02_001				
SSI_N09_02_002				
SSI_N09_02_003				
SSI_N09_02_004				
SSI_N09_02_005				
SSI_N09_03_001				
SSI_N09_04_001				
SSI_N09_05_001				
SSI_N09_06_001				
SSI_N09_06_002				
SSI_N09_06_003				
SSI_N09_06_004				
SSI_N09_06_005				
SSI_N09_06_006				
SSI_N09_06_007				
SSI_N09_06_008				
SSI_N09_07_001				
SSI_N10_01_001				
SSI_N10_01_002				
SSI_N10_02_001				
SSI_N10_02_002				
SSI_N10_03_001				
SSI_N10_03_002				
SSI_N11_01_001				
SSI_N11_01_002				
SSI_N11_02_001				

ATS reference	Selected? (Y/N)	Run? (Y/N)	Verdict	Observations
SSI_N11_02_002				
SSI_N12_01_001				
SSI_N13_01_001				
SSI_N13_02_001				
SSI_N13_03_001				
SSI_N14_01_001				
SSI_N14_01_002				
SSI_N14_02_001				
SSI_N14_02_002				
SSI_N15_01_001				
SSI_N15_01_002				
SSI_N15_02_001				
SSI_N15_03_001				
SSI_N15_03_002				
SSI_N15_04_001				
SSI_N16_01_001				
SSI_N16_02_001				
SSI_N16_03_001				
SSI_N16_04_001				
SSI_N17_01_001				
SSI_N17_01_002				
SSI_N17_01_003				
SSI_N17_01_004				
SSI_N17_02_001				
SSI_N20_01_001				
SSI_N20_01_002				
SSI_N20_01_003				
SSI_N20_01_004				
SSI_N20_01_005				
SSI_N20_01_006				
SSI_N20_01_007				
SSI_N20_01_008				
SSI_N20_01_009				
SSI_N20_01_010				
SSI_N20_01_011				
SSI_N20_02_001				
SSI_N20_02_002				
SSI_N20_03_001				
SSI_N20_03_002				
SSI_N20_03_003				
SSI_N20_03_004				
SSI_N20_03_005				
SSI_N20_03_006				
SSI_N20_04_001				
SSI_N20_04_002				
SSI_N20_04_003				
SSI_N20_04_004				
SSI_N20_05_001				
SSI_N20_05_002				
SSI_N20_05_003				
SSI_N20_06_001				
SSI_N20_06_002				
SSI_N20_06_003				
SSI_N20_06_004				
SSI_N20_06_005				
SSI_N20_06_006				
SSI_N20_06_007				
SSI_N20_06_008				
SSI_N23_01_001				
SSI_N23_01_002				
SSI_N23_01_003				

ATS reference	Selected? (Y/N)	Run? (Y/N)	Verdict	Observations
SSI_N23_01_004				
SSI_N23_01_005				
SSI_N23_01_006				
SSI_N23_01_007				
SSI_N23_01_008				
SSI_N26_01_001				
SSI_N26_01_002				
SSI_N26_02_001				
SSI_N26_02_002				
SSI_N26_02_003				
SSI_N26_02_004				
SSI_N26_02_005				
SSI_N26_02_006				
SSI_N26_03_001				
SSI_N26_03_002				
SSI_N26_03_003				
SSI_N26_03_004				
SSI_N26_04_001				
SSI_N26_04_002				
SSI_N26_04_003				
SSI_N26_05_001				
SSI_N26_05_002				
SSI_N26_05_003				
SSI_N26_05_004				
SSI_N26_05_005				
SSI_N26_05_006				
SSI_N26_05_007				
SSI_N26_05_008				
SSI_N29_01_001				
SSI_N29_01_002				
SSI_N29_01_003				
SSI_N29_01_004				
SSI_N29_01_005				
SSI_N29_01_006				
SSI_N29_01_007				
SSI_N29_01_008				
SSI_N30_01_001				
SSI_N30_01_002				
SSI_N31_01_001				
SSI_N31_01_002				
SSI_N32_01_001				
SSI_N32_02_001				
SSI_N32_02_002				
SSI_N33_01_001				
SSI_N34_01_001				
SSI_N35_01_001				
SSI_N35_01_002				
SSI_N35_01_003				
SSI_N35_01_004				
SSI_N37_01_001				
SSI_N37_01_002				
SSI_N37_01_003				
SSI_N37_01_004				
SSI_N38_01_001				
SSI_N39_01_001				
SSI_N39_01_002				
SSI_N40_01_001				
SSI_N40_01_002				
SSI_N41_01_001				
SSI_N41_01_002				
SSI_N41_01_003				



ATS reference	Selected? (Y/N)	Run? (Y/N)	Verdict	Observations
SSI_N41_01_004				
SSI_N44_01_001				
SSI_N44_01_002				
SSI_N46_01_001				
SSI_N47_01_001				
SSI_N48_01_001				
SSI_N48_01_002				
SSI_N49_01_001				
SSI_N49_01_002				
SSI_N49_01_003				
SSI_N49_02_001				
SSI_N49_02_002				
SSI_N49_02_003				
SSI_N49_02_004				
SSI_N50_01_002				
SSI_N50_01_004				
SSI_N50_01_006				
SSI_N50_02_001				
SSI_N50_02_002				
SSI_N50_02_003				
SSI_N50_02_004				
SSI_N50_03_001				
SSI_N51_01_001				
SSI_N51_01_002				
SSI_N51_01_003				
SSI_N51_01_004				
SSI_N51_01_005				
SSI_N52_01_001				
SSI_N52_02_001				
SSI_N53_01_001				
SSI_N53_02_001				
SSI_N54_01_001				
SSI_N54_02_001				
SSI_N55_01_001				
SSI_N55_02_001				
SSI_N57_01_001				
SSI_N57_01_002				
SSI_N58_01_001				
SSI_N59_01_001				
SSI_N60_01_001				
SSI_N60_01_002				
SSI_N61_01_001				
SSI_N61_01_002				
SSI_N62_01_001				
SSI_N62_01_002				
SSI_N62_01_003				
SSI_N62_01_004				
SSI_N62_01_005				
SSI_N62_01_006				
SSI_N63_01_001				
SSI_N63_01_002				
SSI_N63_01_003				
SSI_N63_01_004				
SSI_N63_01_005				
SSI_N63_01_006				
SSI_N63_01_007				
SSI_N63_01_008				
SSI_N63_01_009				
SSI_N63_01_010				
SSI_N63_01_011				
SSI_N65_01_001				

ATS reference	Selected? (Y/N)	Run? (Y/N)	Verdict	Observations
SSI_N65_01_002				
SSI_N65_01_003				
SSI_N65_01_004				
SSI_N66_01_001				
SSI_N66_01_002				
SSI_N66_01_003				
SSI_N66_01_004				
SSI_N66_01_005				
SSI_N66_01_006				
SSI_N66_02_001				
SSI_N66_02_002				
SSI_N66_02_003				
SSI_N66_02_004				
SSI_N66_03_001				
SSI_N67_01_001				
SSI_N67_01_002				
SSI_N67_01_003				
SSI_N67_01_004				
SSI_N67_01_005				
SSI_N67_01_006				
SSI_N68_01_001				
SSI_N68_01_002				

## A.7 Observations

Additional information relevant to the technical content of the PCTR are given here.

.....

.....

.....

.....

.....

.....

.....

.....

.....

.....

.....

.....

.....

.....

.....

---

## Annex B (normative): Partial PIXIT proforma

Notwithstanding the provisions of the copyright clause related to the text of the present document, ETSI grants that users of the present document may freely reproduce the PCTR proforma in this annex so that it can be used for its intended purposes and may further publish the completed PCTR.

---

### B.1 Identification summary

PIXIT number:

.....

Test laboratory name:

.....

Date of issue:

.....

Issued to:

.....

---

### B.2 Abstract test suite summary

Protocol specification: EN 300 195-1

ATS specification: EN 300 195-4

Abstract test method: Remote test method (see ISO/IEC 9646-2)

---

### B.3 Test laboratory

Test laboratory identification:

.....

Accreditation status of the test service:

.....

Accreditation reference:

.....

Test laboratory manager:

.....

Test laboratory contact:

.....

Means of testing:

.....

Test laboratory instructions for completion:

.....

---

## B.4 Client (of the test laboratory)

Client identification:

.....

Client test manager:

.....

Client contact:

.....

Test facilities required:

.....

---

## B.5 System Under Test (SUT)

Name:

.....

Version:

.....

SCS reference:

.....

Machine configuration:

.....

Operating system identification:

.....

IUT identification:

.....

PICS (all layers):

.....

Limitations of the SUT:

.....

Environmental conditions:

.....

## B.6 Protocol information

### B.6.1 Protocol identification

Specification reference: EN 300 195-1

Protocol version:

PICS reference:

NOTE: The PICS reference should reference a completed PICS which is conformant with the PICS proforma contained in EN 300 195-2.

### B.6.2 Parameter values

**Table B.1: Parameter values**

Item	Question	Supported? (Y/N)	Allowed values	Value
1.1	Does the IUT support Basic Access?		N/A	N/A
1.2	What length of Call Reference value is used?		1, 2	
1.3	Does the IUT support requirements at the coincident S and T reference point?		N/A	N/A
1.4	Does the IUT support requirements for interworking with private ISDNs at the T reference point?		N/A	N/A
1.5	Is the IUT configured in a point-to-multipoint configuration?		N/A	N/A

## B.6.3 Codings of information elements

**Table B.2: Codings of information elements**

Item	Give an example of ...	Supported? (Y/N)	Value
2.1	a coding of a compatible Bearer capability for use in the CALC_q931InfoElement operation		
2.2	a coding of a compatible High layer compatibility for use in the CALC_q931InfoElement operation		
2.3	a coding of a compatible low layer compatibility for use in the CALC_q931InfoElement operation		
2.4	a basic service to which the served user has subscribed		
2.5	Provide, if possible, a CUGIndex for a CUG with the following attributes:		
2.5.1	OA not allowed, not OCB, not preferential CUG, IA allowed, not ICB		
2.5.2	OA allowed, not OCB, not preferential CUG, IA allowed, not ICB		
2.6	the max. number of USER INFORMATION messages that can be sent by a user		
2.7	Provide, for the OCB service a:		
2.7.1	Bearer capability value for which OCB service is activated		
2.7.2	High layer compatibility value for which OCB service is activated		
2.7.3	valid barring program which specifies the OCB served user number in 3.6.3		
2.7.4	valid barring program which specifies a number that is not to be barred		
2.7.5	valid PIN value		
2.8	Provide, for the MSN service a:		
2.8.1	valid barring program which specifies the MSN number used in the CDPN in 3.2.2		
2.9	Provide, for the Diversion service a:		
2.9.1	valid screening list		

## B.6.4 Called party number and Calling party number values

**Table B.3: Parameter values**

Item	Question	Supported? (Y/N)	Allowed values	Value
3.1	This question applies to Call Diversion service			
3.1.1	NumberDigits format for number given in N1.4.1			
3.1.2	NumberDigits format for number given in N1.4.2			
3.1.3	NumberDigits format for number given in N1.4.3			
3.2	This question applies to MSN service			
3.2.1	Give an example of a Called party number information element, which the IUT is compatible with, for served user access which is subscribed to MSN			
3.2.2	Give an example of a Called party number information element, which the IUT is compatible with, for receiving user access which is subscribed to MSN			
3.2.3	Give an example of an invalid Called party number, for served user which is subscribed to MSN			
3.2.4	Give an example of an IUT party number, number digits format, for served user which is subscribed to MSN			
3.2.5	Give an example of an invalid IUT party number, number digits format, for served user which is subscribed to MSN			
3.3	This question applies to DDI service			
3.3.1	Give an example of a Called party number information element, which the IUT is compatible with, for served user access which is subscribed to DDI			
3.4	This question applies to CLIP service			
3.4.1	What are the number digits for a valid calling party number for one access? (sent from IUT to MTC)			
3.4.2	What is the value of the length field in a Calling party number information element containing the above number digits (including octet 3 and 4)?			
3.4.3	What are the number digits for a valid calling party number for first remote user access?			
3.4.4	What is the value of the length field in a Calling party number information element containing the above number digits (including octet 3 and 4)?			
3.5	This question applies to CCBS-CLIP and CCBS-CLIR services			
3.5.1	What are the number digits for a valid calling party number sent to MTC from IUT in the originatingAddress parameter of the CCBS_T_Request invoke component and is of type unknownPartyNumber			
3.6	This question applies to OCB service			
3.6.1	Give an example of a Called party number information element, which the IUT is compatible with, for served user access which is subscribed to OCB - call is to be barred			
3.6.2	Give an example of an IUT party number for Forwarded-to-address parameter, number digits format, which is barred according to the barring program			
3.6.3	Give an example of an OCB served user number to be used in OCBAActivate invoke component			
3.7	This question applies to MSN-MWI services			
3.7.1	Give an example of an MSN number of receiving user subscribed to MWI			

Item	Question	Supported? (Y/N)	Allowed values	Value
3.7.2	Give an example of an MSN number of controlling user subscribed to MWI			
3.8	This question applies to MSN-OCB services			
3.8.1	Give an example of an MSN number of served user subscribed to OCB			
3.8.2	Give an example of an invalid MSN number of served user subscribed to OCB			

## B.6.5 Actions required to configure the IUT

**Table B.4: Actions required to configure the IUT**

Item	Action: What actions, if possible, have to be taken to configure the IUT so that ...	Supported? (Y/N)	Stimulus (action taken)
4.1	AOC-S is subscribed to on a per call basis?		
4.2	AOC-D is subscribed to on a per call basis?		
4.3	AOC-E is subscribed to on a per call basis?		
4.4	AOC-S is subscribed to for all calls?		
4.5	AOC-D is subscribed to for all calls?		
4.6	AOC-E is subscribed to for all calls?		
4.7	the MWI subscription option "invocation mode" is set to "deferred mode" ?		
4.8	the MWI subscription option "invocation mode" is set to "immediate mode" ?		



## B.6.6 Options supported by the IUT

**Table B.5: Options supported by the IUT**

Item	Action: Does the IUT...	Supported? (Y/N)	Stimulus (action taken)
5.1	support AOC-D and AOC-E for all calls?		
5.2	support AOC-D and AOC-E on a per call basis?		
5.3	support AOC-S in the clearing phase of the call?		
5.4	charge the user for part of the transferred call during ECT and AOC?		
5.5	support the CCBS request retention option?		
5.6	support the explicit linkage procedures of ECT?		
5.7	offer CCBS call to all compatible terminals (global recall)?		
5.8	support the option "clear call on invocation of diversion"?		
5.9	support the option "retain call until alerting begins at the diverted-to user"?		
5.10	support the beginning of a conference from state N10?		
5.11	support the inclusion of the originatingAddress parameter in the CCBS-T-Request invoke component?		
5.12	support partial rerouting at the T reference point?		
5.13	support OCB-F?		
5.14	support OCB-UC?		
5.15	support the option "check for identical calls" ?		
5.16	support the disabling procedure?		
5.17	support the option "calling user is notified of diversion" ?		
5.18	support the option "calling user receives notification that the call has been forwarded" ?		
5.19	support the provision of OCB on an ISDN number basis?		
5.20	support the inclusion of the originatingAddress parameter in the CCNR-T-Request invoke component?		

## B.6.7 Timer values

**Table B.6: Timer values**

Item	Timer values: Give a value for the timer that is used to ...	Value (in seconds)
6.1	wait for the test operator to perform an implicit send action (TWAIT)	
6.2	wait for the IUT to respond to a stimulus sent by the tester (TAC)	
6.3	control that the IUT does not respond to a stimulus sent by the tester (TNOAC)	
6.4	the value for timer T_CFNR	
<p><b>NOTE:</b> The IUT provider may fill in a value range rather than a fixed value for the test management timers. During test execution the test laboratory will choose specific values for the timers dependant on the means of testing used. These specific values may even be beyond the range given by the IUT provider, if this is necessary for achieving satisfactory test results.</p>		

## B.7 Basic call PIXIT items

### B.7.1 Parameter values - information element codings

**Table B.7: Codings of information elements**

Item	Information element: provide, if possible, ...	Supported? (Y/N)	Value
N1.1	a coding of a Bearer Capability information element, which the IUT is compatible with, for the purpose of accepting received SETUP messages and which may be used in SETUP messages to be transmitted		
N1.2	a coding of a High layer compatibility information element, which the IUT is compatible with, for the purpose of accepting received SETUP messages and which may be used in SETUP messages to be transmitted		
N1.3	a coding of a Low layer compatibility information element, which the IUT is compatible with, for the purpose of accepting received SETUP messages and which may be used in SETUP messages to be transmitted		
N1.4	a Called party number information element, which the IUT is compatible with, for ...		
N1.4.1	served user access		
N1.4.2	first remote user access		
N1.4.3	second remote user access		
N1.4.4	third remote user access		
N1.5	preferred channel number to be used for the purpose of accepting received SETUP messages, for ... (note 1)		
N1.5.1	single call at served user side		
N1.5.2	second call at served user side		
N1.5.3	third call at served user side		
N1.5.4	first call at remote user side		
N1.5.5	second call at remote user side		
N1.5.6	third call at remote user side		
NOTE 1: Items N1.5.1 to N1.5.6 are applicable for primary rate access only.			
NOTE 2: As this is a general table used for all supplementary services, all items N1.4.1 to N1.4.4, and N1.5.1 to N1.5.6 (if primary rate access is supported), are not always required, but should be supplied if possible.			

---

## Annex C (normative): Abstract Test Suite (ATS)

This ATS has been produced using the Tree and Tabular Combined Notation (TTCN) according to ISO/IEC 9646-3.

The ATS was developed on a separate TTCN software tool and therefore the TTCN tables are not completely referenced in the contents table. The ATS itself contains a test suite overview part which provides additional information and references (see also annex D).

---

### C.1 The TTCN Graphical form (TTCN.GR)

The TTCN.GR representation of this ATS is contained in an Adobe Portable Document Format™ file (sp513861.PDF contained in archive en\_30019506v010201v0.ZIP) which accompanies the present document.

---

### C.2 The TTCN Machine Processable form (TTCN.MP)

The TTCN.MP representation corresponding to this ATS is contained in an ASCII file (sp513861.MP contained in archive en\_30019506v010201v0.ZIP) which accompanies the present document.

NOTE: Where an ETSI Abstract Test Suite (in TTCN) is published in both .GR and .MP format these two forms shall be considered equivalent. In the event that there appears to be syntactical or semantic differences between the two then the problem shall be resolved and the erroneous format (whichever it is) shall be corrected.

---

## Annex D (informative): General structure of ATS

This annex gives a simple listing of the order of types of tables which appear in a typical supplementary service ATS. This is intended as an aid in helping readers find particular sections quickly.

### **Test Suite Overview**

Test Suite Structure

Test Case Index

Test Step Index

Default Index

### **Declarations Part**

Simple Type Definitions

Structured Type Definitions

ASN.1 Type Definitions

Test Suite Operation Definitions

Test Suite Parameter Declarations

Test Case Selection Expression Definitions

Test Suite Constant Declarations

Test Case Variable Declarations

PCO Declarations

Co-ordination Point Declarations

Timer Declarations

Test Component Declarations

Test Components Configuration Declarations

TTCN ASP Type Definition

TTCN PDU Type Definition

TTCN CM Type Definition

Alias Definitions

### **Constraints Part**

Structured Type Constraint Declarations

ASN.1 Type Constraint Declarations

TTCN ASP Constraint Declarations

TTCN PDU Constraint Declarations

TTCN CM Constraint Declarations

### **Dynamic Part**

Test Case Dynamic Behaviour

Test Step Dynamic Behaviour

Default Dynamic Behaviour

---

## History

<b>Document history</b>		
Edition 1	September 1998	Publication as ETS 300 195-6
V1.2.1	April 2000	Public Enquiry PE 20000804: 2000-04-05 to 2000-08-04
V1.2.1	September 2000	Vote V 20001103: 2000-09-04 to 2000-11-03