

Final draft **ETSI EN 300 176-1** V2.1.0 (2009-03)

European Standard (Telecommunications series)

**Digital Enhanced Cordless Telecommunications (DECT);
Test specification;
Part 1: Radio**



Reference

REN/DECT-000249-1

Keywords

DECT, radio, testing, regulation

ETSI

650 Route des Lucioles
F-06921 Sophia Antipolis Cedex - FRANCE

Tel.: +33 4 92 94 42 00 Fax: +33 4 93 65 47 16

Siret N° 348 623 562 00017 - NAF 742 C
Association à but non lucratif enregistrée à la
Sous-Préfecture de Grasse (06) N° 7803/88

Important notice

Individual copies of the present document can be downloaded from:

<http://www.etsi.org>

The present document may be made available in more than one electronic version or in print. In any case of existing or perceived difference in contents between such versions, the reference version is the Portable Document Format (PDF). In case of dispute, the reference shall be the printing on ETSI printers of the PDF version kept on a specific network drive within ETSI Secretariat.

Users of the present document should be aware that the document may be subject to revision or change of status. Information on the current status of this and other ETSI documents is available at

<http://portal.etsi.org/tb/status/status.asp>

If you find errors in the present document, please send your comment to one of the following services:

http://portal.etsi.org/chaicor/ETSI_support.asp

Copyright Notification

No part may be reproduced except as authorized by written permission.
The copyright and the foregoing restriction extend to reproduction in all media.

© European Telecommunications Standards Institute 2009.
All rights reserved.

DECT™, **PLUGTESTS™**, **UMTS™**, **TIPHON™**, the TIPHON logo and the ETSI logo are Trade Marks of ETSI registered for the benefit of its Members.

3GPP™ is a Trade Mark of ETSI registered for the benefit of its Members and of the 3GPP Organizational Partners.

LTE™ is a Trade Mark of ETSI currently being registered

for the benefit of its Members and of the 3GPP Organizational Partners.

GSM® and the GSM logo are Trade Marks registered and owned by the GSM Association.

Contents

Intellectual Property Rights	9
Foreword.....	9
1 Scope	10
2 References	11
2.1 Normative references	11
2.2 Informative references.....	12
3 Definitions, symbols and abbreviations	13
3.1 Definitions.....	13
3.2 Symbols.....	15
3.3 Abbreviations	15
4 General	16
4.1 Document layout	16
4.1.1 Test suites	16
4.1.2 Test groups.....	16
4.1.3 Test cases	17
4.2 Presentation of equipment for testing purposes.....	17
4.2.1 Choice of model for type examination (if applicable)	18
4.2.2 Description of equipment.....	18
4.2.2.1 Protocol Implementation Conformance Statement (PICS)	18
4.2.2.2 Protocol Implementation Extra Information for Testing (PIXIT)	18
4.2.2.3 Environmental test conditions.....	18
4.2.3 Host connected equipment.....	18
4.2.4 Applicants' declaration.....	18
4.3 Applicability of type tests.....	19
4.3.1 Equipment that includes only a DECT RF receiver.....	19
4.3.2 Equipment that includes a radio transmitter	19
4.3.3 CTAs.....	19
4.3.4 Equipment with a synchronization port	19
4.3.5 Equipment incorporating the IPEI (PPs only).....	19
4.3.6 All FP equipment.....	19
4.3.7 PPs with direct PP to PP communication option	19
4.3.8 Installation related issues	19
4.3.9 Equipment with combined FT and PT functionality.....	20
4.3.9.1 Wireless Relay Station	20
4.3.9.2 Direct PP to PP communication.....	20
4.3.9.3 Distributed communications	20
4.3.10 Provision of 4 Mbit/s services. Equipment that is capable of using 4-level, 8-level, 16-level and/or 64-level modulation	20
4.3.11 Equipment supporting additional carriers	20
4.4 Interpretation of the measurement results	21
5 General test requirements.....	21
5.1 Test philosophy	21
5.2 Test site	22
5.2.1 Open air test site	22
5.2.1.1 Description	22
5.2.1.2 Calibration.....	23
5.2.2 Anechoic chamber	24
5.2.2.1 General	24
5.2.2.2 Description.....	24
5.2.2.3 Influence of parasitic reflections	26
5.2.2.4 Calibration and mode of use.....	26
5.2.3 Stripline coupler.....	26
5.2.3.1 Description	26

5.2.3.2	Calibration.....	26
5.2.3.3	Mode of use.....	26
5.3	Standard position.....	27
5.4	Test antenna of the LT.....	27
5.5	Substitution antenna	27
5.6	Test fixture	27
5.6.1	Description.....	27
5.6.1.1	Calibration of the test fixture for the measurement of transmitter characteristics.....	28
5.6.1.2	Calibration of the test fixture for the measurement of receiver characteristics	28
5.6.1.3	Mode of use.....	29
5.6.2	Equipment with a temporary or internal permanent antenna connector.....	29
5.6.2.1	Equipment with a temporary antenna connector	29
5.7	Indoor test site	29
5.7.1	Description.....	30
5.7.2	Test for parasitic reflections.....	30
5.7.3	Calibration and mode of use	31
5.8	Lower Tester (LT).....	31
5.8.1	Description.....	31
5.8.2	Connections between the EUT and the LT	31
5.8.3	Functions and abilities	31
5.8.4	Signal generation uncertainty	32
5.8.4.1	Modulated DECT-like carrier	32
5.8.4.2	CW interferers.....	32
5.8.4.3	DECT RF signal.....	32
5.8.4.4	Test modulation signals.....	32
5.8.5	Measurement uncertainty.....	32
5.9	Upper Tester (UT).....	33
5.9.1	Description of the UT	33
5.9.2	The test standby mode	33
5.9.3	Test messages	33
5.9.4	Dummy setting when EUT is a RFP and it is in test stand-by mode	34
5.10	Description of the lower tester FT and PT	34
5.11	General test methods	34
5.11.1	General.....	34
5.11.2	Sampling the RF signal.....	34
5.11.2.1	Introduction.....	34
5.11.2.2	Sampling method	35
5.11.3	Determining the reference position.....	35
5.11.3.1	Case 1: EUTs that cannot transmit.....	35
5.11.3.2	Case 2: EUTs that can transmit.....	35
5.11.4	Bit Error Rate (BER) and Frame Error Ratio (FER) measurements	35
5.12	Test setup.....	35
5.12.1	Test setup 1	36
5.12.2	Test setup 2	36
5.12.3	Test setup 3	36
5.12.4	Test setup 4.....	36
5.12.5	Test setup 5.....	37
5.13	Test arrangements for intermodulation measurements.....	38
5.13.1	PT to PT arrangement.....	38
5.13.2	FT to FT arrangement.....	38
5.13.3	FT to PT arrangement.....	39
6	Test conditions, power sources and ambient temperatures	39
6.1	General	39
6.2	Nominal test conditions.....	40
6.3	Extreme test conditions	40
6.4	Test power source - general requirements.....	41
6.5	Nominal test power source	42
6.5.1	Mains voltage.....	42
6.5.2	Regulated lead acid battery power sources	42
6.5.3	Nickel cadmium battery	42
6.5.4	Other power sources	42

6.6	Extreme test power source.....	42
6.6.1	Mains voltage.....	42
6.6.2	Regulated lead acid battery power sources.....	42
6.6.3	Nickel cadmium battery.....	42
6.6.4	Other power sources.....	42
6.7	Testing of host connected equipment and plug-in cards.....	43
6.7.1	Alternative A: composite equipment.....	43
6.7.2	Alternative B: use of a test jig and three hosts.....	43
7	Accuracy and stability of RF carriers.....	43
7.1	Definition.....	43
7.2	Test environment.....	44
7.3	Method of measurement.....	44
7.4	Verdict criteria when the EUT is a RFP.....	45
7.5	Verdict criteria when the EUT is a PP.....	45
8	Accuracy and stability of timing parameters.....	45
8.1	Slot structure definitions.....	45
8.2	Definition of the position of p0.....	47
8.3	Measurement of packet timing jitter.....	47
8.3.1	Test environment.....	47
8.3.2	Method of measurement.....	47
8.3.3	Verdict criteria.....	48
8.4	Measurement of the reference timing accuracy of a RFP.....	48
8.4.1	Test environment.....	48
8.4.2	Method of measurement.....	48
8.4.3	Verdict criteria.....	48
8.5	Measurement of packet transmission accuracy of a PP.....	49
8.5.1	Test environment.....	49
8.5.2	Method of measurement.....	49
8.5.3	Verdict criteria.....	49
9	Transmission burst.....	50
9.1	Definitions.....	50
9.1.1	Physical packets.....	50
9.1.2	Transmitted power.....	50
9.1.3	Normal Transmitted Power (NTP).....	50
9.1.4	Transmitter attack time.....	50
9.1.5	Transmitter release time.....	50
9.1.6	Minimum power.....	50
9.1.7	Maximum power.....	50
9.1.8	Maintenance of transmission after packet end.....	50
9.1.9	Transmitter idle power output.....	51
9.2	Test environment.....	51
9.3	Method of measurement.....	51
9.4	Verdict criteria.....	51
10	Transmitted power.....	52
10.1	Definitions.....	52
10.1.1	PP and RFP with an integral antenna.....	52
10.1.2	PP and RFP with external connections for all antennas.....	52
10.1.3	PP and RFP with both integral and external antennas.....	52
10.2	PP and RFP with an integral antenna.....	53
10.2.1	Test environment.....	53
10.2.2	Method of measurement.....	53
10.2.2.1	Measurement of NTP.....	53
10.2.2.2	Measurement of antenna gain.....	53
10.2.3	Verdict criteria for all EUTs.....	54
10.3	PP and RFP with external antenna connection(s).....	54
10.3.1	Test environment.....	54
10.3.2	Method of measurement.....	54
10.3.3	Verdict criteria for all EUTs.....	54
11	RF carrier modulation.....	55

11.1	Test environment.....	55
11.2	Method of measurement, parts 1 and 2.....	55
11.2.1	Part 1.....	55
11.2.2	Part 2.....	55
11.3	Method of measurement, parts 3 and 4.....	56
11.3.1	Part 3.....	56
11.3.2	Part 4.....	56
11.4	Verdict criteria for part 1.....	57
11.5	Verdict criteria for part 2.....	57
11.6	Verdict criteria for part 3.....	57
11.7	Verdict criteria for part 4.....	57
12	Unwanted RF power radiation	58
12.1	General test conditions	58
12.2	Emissions due to modulation.....	58
12.2.1	Definition.....	59
12.2.2	Test environment	59
12.2.3	Method of measurement	59
12.2.4	Verdict criteria.....	60
12.3	Emissions due to transmitter transients	60
12.3.1	Definition.....	60
12.3.2	Test environment	60
12.3.3	Method of measurement	60
12.3.4	Verdict criteria.....	61
12.4	Emissions due to intermodulation	61
12.4.1	Definition.....	61
12.4.2	Test environment	61
12.4.3	Method of measurement	62
12.4.4	Verdict criteria.....	62
12.5	Spurious emissions when allocated a transmit channel.....	63
12.5.1	Definition.....	63
12.5.2	Radiated emissions	63
12.5.2.1	Test environment.....	63
12.5.2.2	Method of measurement.....	63
12.5.2.3	Verdict criteria	64
12.5.3	Conducted spurious emissions when the EUT has a permanent external antenna connector	64
12.5.3.1	Test environment.....	64
12.5.3.2	Method of measurement.....	64
12.5.3.3	Verdict criteria	65
13	Radio receiver testing.....	65
13.1	Radio receiver sensitivity	65
13.1.1	Definition.....	65
13.1.2	Test environment	65
13.1.3	Method of measurement	65
13.1.4	Verdict criteria.....	66
13.2	Radio receiver reference BER and FER	66
13.2.1	Definition.....	66
13.2.2	Test environment	66
13.2.3	Method of measurement	66
13.2.4	Verdict criteria	66
13.3	Radio receiver interference performance.....	66
13.3.1	Definition.....	66
13.3.2	Test environment	67
13.3.3	Method of measurement	67
13.3.4	Verdict criteria.....	67
13.4	Radio receiver blocking case 1: owing to signals occurring at the same time but on other frequencies	67
13.4.1	Definition.....	68
13.4.2	Test environment	68
13.4.3	Method of measurement	68
13.4.4	Verdict criteria.....	69
13.5	Radio receiver blocking case 2: owing to signals occurring at a different time	69

13.5.1	Definition.....	69
13.5.2	Test environment	69
13.5.3	Method of measurement	70
13.5.4	Verdict criteria.....	70
13.6	Receiver intermodulation performance	70
13.6.1	Definition.....	70
13.6.2	Test environment	70
13.6.3	Method of measurement	70
13.6.4	Verdict criteria.....	71
13.7	Spurious emissions when the PP has no allocated transmit channel	71
13.7.1	Definition.....	71
13.7.2	Test environment	71
13.7.3	Method of measurement	71
13.7.4	Verdict criteria (outside the DECT band).....	72
13.7.5	Verdict criteria (inside the DECT band).....	72
14	Intersystem synchronization (FP only).....	72
14.1	Description	72
14.2	Test environment.....	72
14.3	Wired synchronization ports.....	73
14.3.1	FP as a master	73
14.3.1.1	Method of measurement.....	73
14.3.1.2	Verdict criteria	73
14.3.2	FP as a slave.....	73
14.3.2.1	Method of measurement.....	73
14.3.2.2	Verdict criteria	74
14.4	GPS synchronization	74
14.4.1	FP with integrated Global Positioning System (GPS) synchronization	74
14.4.1.1	Method of measurement.....	74
14.4.1.2	Verdict criteria	75
14.4.2	External GPS synchronization device.....	75
14.4.2.1	Method of measurement.....	75
14.4.2.2	Verdict criteria	75
15	EMC	75
16	Equipment identity testing.....	75
16.1	PP	75
16.2	FP	76
17	Efficient use of the radio spectrum.....	76
17.1	Channel selection	76
17.2	Channel confirmation	76
17.2.1	For the PT	76
17.2.2	For the FT	76
17.3	Channel release	77
17.4	General	77
18	WRS testing.....	77
18.1	Testing as a PP	77
18.2	Testing as an RFP.....	77
18.3	Applicants declarations	78
19	Requirements for PPs with direct PP to PP communication mode	78
19.1	Setting the EUT in direct communications mode.....	78
19.2	When the EUT has not initiated a call.....	79
19.3	When the EUT initiates a call.....	79
19.4	Applicants declarations	79
20	Distributed communications.....	79
20.1	Testing as a PP	80
20.2	Testing as an RFP.....	80
20.3	Applicants declaration.....	80
21	Higher level modulation options	81

21.1	Activation of higher level modulations when EUT is in test stand-by mode	81
21.2	Applicants declaration	82
Annex A (informative):	(Void)	83
Annex B (normative):	Procedures for test fixture calibration and for measurement of radiated spurious emissions	84
B.1	Calibration of test fixture for receiver measurements	84
B.1.1	Method of measurement	84
B.2	Radiated measurements	85
B.2.1	General	85
B.2.2	Radiated spurious emissions	86
B.2.2.1	Definition	86
B.2.2.2	Method of measurement	87
B.2.3	Cabinet radiation	88
B.2.3.1	Definition	88
B.2.3.2	Method of measurement	88
Annex C (normative):	Procedure for measurement of conducted spurious emissions	90
C.1	Conducted spurious emissions	90
C.1.1	Definition	90
C.1.2	Method of measurement	90
Annex D (normative):	Test Support Profile (TSP)	92
D.1	Introduction	92
D.2	Standardized symbols for the status column	92
D.3	Capabilities of PP (EUT) under test	93
D.3.1	Services	93
D.3.2	Messages	93
D.3.3	Message parameters	94
D.3.4	Procedure support	98
D.3.5	CSF multiplexing functions	98
D.3.6	Timer and counter support	99
D.4	Capabilities of FP (EUT) under test	100
D.4.1	Services	100
D.4.2	Messages	100
D.4.3	Message parameters	101
D.4.4	Procedure support	105
D.4.5	CSF multiplexing functions	105
D.4.6	Timer and counter support	106
Annex E (normative):	Measurement of BER and FER	107
Annex F (informative):	Procedures for the measurement of synchronization loss at the EUT by the LT	108
F.1	Description	108
F.2	Method	108
Annex G (informative):	Guide lines for installation related issues	109
G.1	Antennas with directivity	109
G.2	DECT frame synchronization	109
G.2.1	Guidance for installation of frame synchronized DECT systems	110
G.2.1.1	GPS synchronization	110
G.2.1.2	Wired synch port synchronization	110
G.2.1.3	Requirements for DECT air synchronization	111
Annex H (informative):	Justification for requirements	112
History	114

Intellectual Property Rights

IPRs essential or potentially essential to the present document may have been declared to ETSI. The information pertaining to these essential IPRs, if any, is publicly available for **ETSI members and non-members**, and can be found in ETSI SR 000 314: "*Intellectual Property Rights (IPRs); Essential, or potentially Essential, IPRs notified to ETSI in respect of ETSI standards*", which is available from the ETSI Secretariat. Latest updates are available on the ETSI Web server (<http://webapp.etsi.org/IPR/home.asp>).

Pursuant to the ETSI IPR Policy, no investigation, including IPR searches, has been carried out by ETSI. No guarantee can be given as to the existence of other IPRs not referenced in ETSI SR 000 314 (or the updates on the ETSI Web server) which are, or may be, or may become, essential to the present document.

Foreword

This European Standard (Telecommunications series) has been produced by ETSI Technical Committee Digital Enhanced Cordless Telecommunications (DECT), and is now submitted for the ETSI standards One-step Approval Procedure.

The present document contains text pertaining to testing of the Digital Enhanced Cordless Telecommunications (DECT) Common Interface [1] to [8]. Such text should be considered as guidance to approval (or licensing) authorities.

Details of the DECT Common Interface may be found in EN 300 175. Further details of the DECT system may be found in TR 101 178 [i.1] and ETR 043 [i.2].

The present document is part 1 of a multi-part deliverable covering the test specification for Digital Enhanced Cordless Telecommunications (DECT), as identified below:

Part 1: "Radio";

Part 2: "Audio and speech".

Proposed national transposition dates	
Date of latest announcement of this EN (doa):	3 months after ETSI publication
Date of latest publication of new National Standard or endorsement of this EN (dop/e):	6 months after doa
Date of withdrawal of any conflicting National Standard (dow):	6 months after doa

1 Scope

The present document (part 1) specifies tests applicable to all Digital Enhanced Cordless Telecommunications (DECT) equipment accessing the DECT frequency band 1 880 MHz to 1 900 MHz (including provisions for testing other or extended frequency bands as described in EN 300 175-1 [1] and EN 300 175-2 [2]). Part 2 of the present multi-part deliverable [9] specifies tests applicable to DECT speech and audio transmission using a collection of speech codecs, including ITU-T Recommendation G.726 [i.7] ADPCM codec, ITU-T Recommendation G.722 7 kHz codec [i.8], MPEG-4 codec [i.10] and others.

The aims of the present document are to ensure:

- efficient use of frequency spectrum;
- no harm done to any connected network and its services;
- no harm done to other radio networks and services;
- no harm done to other DECT equipment or its services;
- interworking of terminal equipment via the public network.

Through testing those provisions of EN 300 175, which are relevant to these aims.

The tests of EN 300 176 are split into two parts:

- the present document (part 1) covers testing of radio frequency parameters, security elements and those DECT protocols that facilitate the radio frequency tests and efficient use of frequency spectrum;
- part 2 [9] describes testing of speech and audio requirements between network interface and DECT PT, or between a DECT CI air interface and alternatively a DECT PT or FT. Part 2 is not applicable to terminal equipment specially designed for the disabled (e.g. with amplification of received speech as an aid for the hard-of-hearing).

DECT terminal equipment consists of the following elements:

- a) Fixed Part (FP);
- b) Portable Part (PP);
- c) Cordless Terminal Adapter (CTA);
- d) Wireless Relay Station (WRS) (FP and PP combined);
- e) Hybrid Part (HyP) (a PP with capability to act as a FP to provide PP to PP communication).

Part 2 of the present document is structured to allow testing of either:

- a) the FP and PP together; or
- b) the FP and PP as separate items.

Additional tests apply for equipment implementing ETSI-defined profiles (e.g. GAP, DECT-GSM, DECT-ISDN). These tests are found in related ENs and may supersede the requirements of the present document.

2 References

References are either specific (identified by date of publication and/or edition number or version number) or non-specific.

- For a specific reference, subsequent revisions do not apply.
- Non-specific reference may be made only to a complete document or a part thereof and only in the following cases:
 - if it is accepted that it will be possible to use all future changes of the referenced document for the purposes of the referring document;
 - for informative references.

Referenced documents which are not found to be publicly available in the expected location might be found at <http://docbox.etsi.org/Reference>.

NOTE: While any hyperlinks included in this clause were valid at the time of publication ETSI cannot guarantee their long term validity.

2.1 Normative references

The following referenced documents are indispensable for the application of the present document. For dated references, only the edition cited applies. For non-specific references, the latest edition of the referenced document (including any amendments) applies.

- | | |
|--|--|
| [1] | ETSI EN 300 175-1: "Digital Enhanced Cordless Telecommunications (DECT); Common Interface (CI); Part 1: Overview". |
| [2] | ETSI EN 300 175-2: "Digital Enhanced Cordless Telecommunications (DECT); Common Interface (CI); Part 2: Physical Layer (PHL)". |
| [3] | ETSI EN 300 175-3: "Digital Enhanced Cordless Telecommunications (DECT); Common Interface (CI); Part 3: Medium Access Control (MAC) layer". |
| [4] | ETSI EN 300 175-4: "Digital Enhanced Cordless Telecommunications (DECT); Common Interface (CI); Part 4: Data Link Control (DLC) layer". |
| [5] | ETSI EN 300 175-5: "Digital Enhanced Cordless Telecommunications (DECT); Common Interface (CI); Part 5: Network (NWK) layer". |
| [6] | ETSI EN 300 175-6: "Digital Enhanced Cordless Telecommunications (DECT); Common Interface (CI); Part 6: Identities and addressing". |
| [7] | ETSI EN 300 175-7: "Digital Enhanced Cordless Telecommunications (DECT); Common Interface (CI); Part 7: Security features". |
| [8] | ETSI EN 300 175-8: "Digital Enhanced Cordless Telecommunications (DECT); Common Interface (CI); Part 8: Speech and audio coding and transmission". |
| [9] | ETSI EN 300 176-2: "Digital Enhanced Cordless Telecommunications (DECT); Test specification; Part 2: Audio and speech". |
| [10] | ISO/IEC 9646-1: "Information technology - Open Systems Interconnection - Conformance testing methodology and framework - Part 1: General concepts". |
| NOTE: See also ITU-T Recommendation X.290. | |
| [11] | ITU-T Recommendation V.11: "Electrical characteristics for balanced double-current interchange circuits operating at data signalling rates up to 10 Mbit/s". |
| [12] | ITU-T Recommendation O.153: "Basic parameters for the measurement of error performance at bit rates below the primary rate". |

- [13] Directive 1999/5/EC of the European Parliament and of the Council of 9 March 1999 on radio equipment and telecommunications terminal equipment and the mutual recognition of their conformity (R&TTE Directive).
- [14] CENELEC EN 55022 (2006): "Information technology equipment - Radio disturbance characteristics - Limits and methods of measurement".
- [15] Council Directive 2004/108/EC of 15 December 2004 on the approximation of the laws of the Member States relating to electromagnetic compatibility and repealing Directive 89/336/EEC.
- [16] ETSI EN 300 700: "Digital Enhanced Cordless Telecommunications (DECT); Wireless Relay Station (WRS)".
- [17] ETSI EN 301 406: "Digital Enhanced Cordless Telecommunications (DECT); Harmonized EN for Digital Enhanced Cordless Telecommunications (DECT) covering essential requirements under article 3.2 of the R&TTE Directive; Generic radio".

2.2 Informative references

The following referenced documents are not essential to the use of the present document but they assist the user with regard to a particular subject area. For non-specific references, the latest version of the referenced document (including any amendments) applies.

- [i.1] ETSI TR 101 178: "Digital Enhanced Cordless Telecommunications (DECT); A High Level Guide to the DECT Standardization".
- [i.2] ETSI ETR 043: "Digital Enhanced Cordless Telecommunications (DECT); Common Interface (CI); Services and facilities requirements specification".
- [i.3] ETSI EN 301 649: "Digital Enhanced Cordless Telecommunications (DECT); DECT Packet Radio Service (DPRS)".
- [i.4] ETSI TS 102 527-1: "Digital Enhanced Cordless Telecommunications (DECT); New Generation DECT; Part 1: Wideband speech".
- [i.5] ETSI TS 102 527-2: "Digital Enhanced Cordless Telecommunications (DECT); New Generation DECT; Part 2: Support of transparent IP packet data".
- [i.6] ETSI TS 102 527-3: "Digital Enhanced Cordless Telecommunications (DECT); New Generation DECT; Part 3: Extended Wideband speech services".
- [i.7] ITU-T Recommendation G.726 (1990): "40, 32, 24, 16 kbit/s Adaptive Differential Pulse Code Modulation (ADPCM)".
- [i.8] ITU-T Recommendation G.722: "7 kHz audio - coding within 64 kbit/s".
- [i.9] ITU-T Recommendation G.729.1: "G.729 based Embedded Variable bit-rate coder: An 8-32 kbit/s scalable wideband coder bitstream interoperable with G.729".
- [i.10] ISO/IEC JTC1/SC29/WG11 (MPEG): International Standard ISO/IEC 14496-3:2005/AMD 1:2007: "Information Technology - Coding of audio-visual objects - Part 3: Audio; AMENDMENT 1: Low Delay AAC profile".

3 Definitions, symbols and abbreviations

3.1 Definitions

For the purposes of the present document, the following terms and definitions apply:

antenna diversity: feature that implies that the Radio Fixed Part (RFP) is able to select for each bearer independently different antenna properties such as gain, polarization, coverage patterns, and other features that may affect the practical coverage

NOTE: A typical example is space diversity, provided by two vertically polarized antennas separated by 10 cm to 20 cm.

bearer handover: internal handover process provided by the Medium Access Control (MAC) layer, whereby one MAC connection can modify its underlying bearers while maintaining the service provided to the Data Link Control (DLC) layer

NOTE: Bearer handover is slot based.

cell: domain served by a single antenna system (including a leaky feeder) of one FP

NOTE: A cell may include more than one source of radiated Radio Frequency energy (i.e. more than one Radio End Point).

Central Control Fixed Part (CCFP): physical grouping that contains the central control elements of one or several FPs

NOTE: An FP may be split in the control part (CCFP) and the Radio part (RFP). A CCFP may control one or more RFPs.

conducted measurements: measurements which are made using a direct connection to the equipment under test

Cordless Terminal Adapter (CTA): physical grouping that contains a DECT portable termination and a line interface

DECT Distributed communications: communication capability of a DECT Local Network that allows a number of DECT terminals (a FP and number of PPs) to co-exists and directly communicate one with another

DECT-like carrier: modulated RF DECT carrier used for interference testing which conforms to the requirements in EN 300 175-2 [2] in terms of frequency and timing and uses a pseudo-random sequence for modulation

Double Slot (SLOT): one-12th of a Time Division Multiple Access (TDMA) frame which is used to support one high-capacity physical channel

duplex bearer: use of two simplex bearers operating in opposite directions on two physical channels

NOTE: These pairs of channels always use the same RF carrier and always use evenly spaced slots (i.e. separated by 0,5 TDMA frame).

Equipment Under Test (EUT): equipment submitted to the test laboratory for type examination

Fixed Part (DECT Fixed Part) (FP): physical grouping that contains all of the elements in the DECT network between the local network and the DECT air interface

NOTE: A DECT FP contains the logical elements of at least one Fixed radio Termination (FT), plus additional implementation specific elements.

Fixed radio Termination (FT): logical group of functions that contains all of the DECT processes and procedures on the fixed side of the DECT air interface

NOTE: A FT only includes elements that are defined in the DECT CI standard. This includes radio transmission elements (layer 1) together with a selection of layer 2 and layer 3 elements.

full slot (slot): one-24th of a TDMA frame which is used to support one physical channel

half slot: one-48th of a TDMA frame which is used to support one physical channel

handover: process of switching a call in progress from one physical channel to another physical channel

NOTE 1: These processes can be internal or external.

NOTE 2: There are two physical forms of handover: intra-cell handover and inter-cell handover. Intra-cell handover is always internal. Inter-cell handover can be internal or external.

host equipment: any equipment which has a complete user functionality when not connected to the DECT radio equipment, and to which the DECT radio equipment provides additional functionality, and to which connection is necessary for the DECT radio equipment to offer functionality

Hybrid Part (HyP): DECT terminal that provides FT, as well as, PT capabilities being capable of communicating directly with FT or PT

inter-cell handover: switching of a call in progress from one cell to another cell

NOTE: This only defines the form of handover, it does not define a specific process.

intra-cell handover: switching of a call in progress from one physical channel of one cell to another physical channel of the same cell

NOTE: This only defines the form of handover, it does not define a specific process.

Long slot: name given to the variable capacity slot when $j = 640$ or $j = 672$. The long slot has a intermediate size between the full slot and the double slot

Lower Tester (LT): logical grouping that contains the test equipment, a functionally equivalent DECT PT, a functionally equivalent DECT FT and a test controller

multiframe: repeating sequence of 16 successive TDMA frames, that allows low rate or sporadic information to be multiplexed (e.g. basic system information or paging)

physical channel (channel): simplex channel that is created by transmitting in one particular slot on one particular RF channel in successive TDMA frames (see also simplex bearer)

NOTE: One physical channel provides a simplex service. Two physical channels are required to provide a duplex service.

Portable HandSet (PHS): single physical grouping that contains all of the portable elements that are needed to provide a teleservice to the user

NOTE: PHS is a subset of all possible PPs. This subset includes all physical groupings that combine one PT plus at least one portable application in a single physical box.

Portable Part (PP): physical grouping that contains all elements between the user and the DECT air interface

NOTE 1: PP is a generic term that may describe one or several physical pieces.

NOTE 2: A PP is logically divided into one PT plus one or more portable applications.

Portable radio Termination (PT): logical group of functions that contains all of the DECT processes and procedures on the portable side of the DECT air interface

NOTE: A PT only includes elements that are defined in the DECT CI standard. This includes radio transmission elements together with a selection of layer 2 and layer 3 elements.

radiated measurements: measurements which involve the absolute measurement of a radiated field

Radio End Point (REP): physical grouping that contains one radio transmitter/receiver, fixed or portable

NOTE: A REP may operate only as a receiver or only as a transmitter.

Radio Fixed Part (RFP): physical sub-group of a FP that contains all the REPs (one or more) that are connected to a single system of antennas

simplex bearer: MAC layer service that is created using one physical channel

TDMA frame: time-division multiplex of 10 ms duration, containing 24 successive full slots

NOTE: A TDMA frame starts with the first bit period of full slot 0 and ends with the last bit period of full slot 23.

test laboratory: body which performs conformance testing

NOTE: This laboratory is accredited to perform 3rd party testing.

test load: substantially non-reactive, non-radiating power attenuator which is capable of safely dissipating the power from the transmitter(s)

Upper Tester (UT): logical grouping that controls the EUT when under test

NOTE: Commands are sent from the LT to the UT to place the EUT in the appropriate test mode.

variable capacity slot: slot structure that allows implementing slot lengths different of the half, full and double structures. A variable capacity slot may have a duration of $100+j$ or $104+j$ data symbols with j ranging from zero to 856

3.2 Symbols

For the purposes of the present document, the following symbols apply:

dBm	dB relative to 1 mW
PNTP	Maximum transmit power per simultaneously active transceiver
λ	wavelength

3.3 Abbreviations

For the purposes of the present document, the following abbreviations apply:

ARI	Access Rights Identity
BER	Bit Error Ratio
CAP	Cordless terminal mobility Access Profile
CCFP	Central Control Fixed Part
CI	Common Interface
CTA	Cordless Terminal Adapter
CTM	Cordless Terminal Mobility
CW	Continuous Wave
dBm	dB relative to 1 mW
DLC	Data Link Control
DBPSK	Differential Binary Phase Shift Keying
DQPSK	Differential Quaternary Phase Shift Keying
EMC	Electro-Magnetic Compatibility
emf	electro-motive force
ERP	Effective Radiated Power
EUT	Equipment Under Test
FER	Frame Error Ratio
FP	Fixed Part
FT	Fixed radio Termination
GAP	Generic Access Profile
GPS	Global Positioning System
HyP	Hybrid Part
IPEI	International Portable part Equipment Identity
ISDN	Integrated Services Digital Network
ISS	Internal System Synchronization
ITE	Information Technology Equipment
LT	Lower Tester
MAC	Medium Access Control
NTP	Normal Transmitted Power
PHL	PHysical Layer

PHS	Portable HandSet
PHY	PHYSical
PICS	Protocol Implementation Conformance Statement
PIXIT	Protocol Implementation eXtra Information for Testing
PP	Portable Part
ppm	parts per million
PSN	Portable equipment Serial Number
PT	Portable radio Termination
QAM	Quadrature Amplitude Modulation
RAP	Radio in the local loop Access Profile
R&TTE	Radio and Telecommunications Terminal Equipment
RF	Radio Frequency
REP	Radio End Point
RFP	Radio Fixed Part
RFPI	Radio Fixed Part Identity
RH	Relative Humidity
TDMA	Time Division Multiple Access
TSM	Test Standby Mode
TSP	Test Support Profile
UT	Upper Tester
VSWR	Voltage Standing Wave Ratio
WRS	Wireless Relay Station

4 General

4.1 Document layout

The test cases described in these clauses are intended to follow the ISO/IEC 9646-1 [10] recommendations as closely as possible. However, for practical reasons it is not always possible to follow the guide-lines exactly and the following clauses describe the relationship of the present document to ISO/IEC 9646-1 [10].

4.1.1 Test suites

The term "test suite" is defined in ISO/IEC 9646-1 [10].

Table 1 lists the test suite that is described in the present document and the test groups that are associated with it.

Table 1: Test suite

Test suite	Test groups
DECT Physical Layer (PHL)	PHY layer services Transmission of physical packets Reception of physical packets Synchronization Equipment identities Efficient use of radio spectrum WRS PP to PP communication Direct communication Higher level modulation

4.1.2 Test groups

The term "test group" is defined in ISO/IEC 9646-1 [10].

Table 2 lists the test groups that are described in the present document and the test cases that are associated with them.

Table 2: Test groups

Test group	Test cases
Physical layer services	1 2 4
Transmission of physical packets	5 6 7 8 9 10 11 12
Reception of physical packets	13 14 15 16 17 18 19
Synchronization	20
Equipment identities	21
Efficient use of radio spectrum	22
WRS	23
PP to PP communication	24
Direct communication	25
Higher level modulation	26

4.1.3 Test cases

The term "test case" is defined in ISO/IEC 9646-1 [10].

Table 3 lists the test cases that are described in the present document.

Table 3: Test cases

Test Case	Test case	Clause
1	Accuracy and stability of RF carriers	7
2	Timing jitter: slot-slot on the same channel	8.3
3	Reference timing accuracy of a RFP	8.4
4	Measurement of packet timing accuracy	8.5
5	Transmission Burst	9
6	Transmitted power: PP and RFP with an integral antenna	10.2
7	Transmitted power: PP and RFP with an external antenna connector	10.3
8	RF carrier modulation	11
9	Emissions due to modulation	12.2
10	Emissions due to transmitter transients	12.3
11	Emissions due to intermodulation	12.4
12	Spurious emissions when allocated a transmit channel	12.5
13	Radio receiver sensitivity	13.1
14	Radio receiver reference bit error ratio	13.2
15	Radio receiver interference performance	13.3
16	Radio receiver blocking case 1	12.4
17	Radio receiver blocking case 2	13.5
18	Receiver intermodulation performance	13.6
19	Spurious emissions when the radio endpoint has no allocated transmit channel	13.7
20	Synchronization port	14
21	Equipment identity verification/safeguards	16
22	Efficient use of radio spectrum	17
23	WRS	18
24	PP to PP communication	19
25	Direct communication	20
26	Higher level modulation	21

Annex H provides a summary of the essential requirement articles of the R&TTE Directive [13] justifying the test cases of the present document.

4.2 Presentation of equipment for testing purposes

Each equipment submitted for type examination shall fulfil the requirements of the present document on all DECT RF channels.

4.2.1 Choice of model for type examination (if applicable)

The applicant shall provide one or more preliminary or production model(s) of the equipment, as appropriate, for type examination.

If approval is given on the basis of tests on a preliminary model, then the corresponding production models shall be identical in all respects with the preliminary model tested.

4.2.2 Description of equipment

The applicant shall provide the information in the following clauses to the test laboratory, if applicable.

4.2.2.1 Protocol Implementation Conformance Statement (PICS)

A statement made by the applicant stating which capabilities and options have been implemented.

4.2.2.2 Protocol Implementation Extra Information for Testing (PIXIT)

A statement made by the applicant which contains or references all of the information (in addition to that given in the PICS) related to the EUT and its testing environment, which will enable the test laboratory to run an appropriate test suite against the EUT.

This shall include:

- the method by which the equipment can be switched into the test standby mode. This mode is described in clause 5.9.2;
- whether the equipment has one or more internal or external antennas;
- whether the equipment has antenna diversity.

4.2.2.3 Environmental test conditions

The applicant shall supply for FPs, RFPs, and Central Control Fixed Parts (CCFPs), a statement indicating the class of use for the EUT, i.e. "Class E1 Use" or "Class E2 Use".

4.2.3 Host connected equipment

The applicant shall supply a statement indicating which of the test configurations detailed in clause 6.7 shall be used for testing of DECT equipment for which connection to, or integration with, host equipment is required to offer functionality.

4.2.4 Applicants' declaration

Where parameters, capabilities, etc., are subject to applicants' declaration and not a specific test, it shall be the applicants' responsibility to:

- a) supply a declaration of implementation, in which the applicant explicitly affirms the implementation in the equipment of certain parameters and capabilities;
- b) be prepared to submit upon request supporting design information, including circuit designs and software source code, demonstrating the implementation of said capabilities;
- c) be prepared to supply upon request such test results as are practicable, including the test methods, which support the declaration;
- d) if additional carriers are supported by the EUT, the applicant shall declare the band edge limits F_L and F_U and the carriers supported (see clauses 7.1 and 13.4.3 f)).

4.3 Applicability of type tests

The applicability of the individual type tests in the present document is dependent on the type of equipment submitted. The following clauses list the applicable type tests. Equipment may contain one or more of the features listed in the following clauses. It is assumed that all equipment contains a radio receiver. The type tests described in the present document shall only be applied to the equipment physically containing a DECT RF receiver and/or transceiver. Control lines to the EUT necessary for its operation shall be permitted.

4.3.1 Equipment that includes only a DECT RF receiver

The type test specified in clause 13.7 shall be applied.

4.3.2 Equipment that includes a radio transmitter

The type tests contained in clauses 7, 8, 9, 10, 11, 12, 13 and 17 shall be applied. For equipment continuously transmitting (e.g. FP with dummy bearer) the type test specified in clause 13.7 shall not apply.

4.3.3 CTAs

The requirements for PPs apply to Cordless Terminal Adapters, CTAs.

4.3.4 Equipment with a synchronization port

The type tests contained in clause 14 shall be applied.

4.3.5 Equipment incorporating the IPEI (PPs only)

The type test contained in clause 16.1 shall be applied.

4.3.6 All FP equipment

The type test contained in clause 16.2 shall be applied.

4.3.7 PPs with direct PP to PP communication option

Direct PP-to-PP communication is supported. In this mode of operation, a PP sets up a call directly to another PP, and there is no requirement or need to being locked to an RFP. Since no RFP is involved in the communication link, direct PP-to-PP communication only uses half the spectrum compared to normal calls routed via RFPs.

The requirements for type test of PPs with direct PP-to-PP communication option are defined in annex G.

4.3.8 Installation related issues

DECT provides on a common spectrum allocation dynamic spectrum sharing between licensed and unlicensed uncoordinated system installations with a varying selection of speech, data and video services. Thus installation related issues may influence the efficient use of the spectrum.

Annex G contains informative guide lines on installation related issues.

4.3.9 Equipment with combined FT and PT functionality

Equipment that is able to operate both as an RFP and as a PP shall generally meet the conformance requirements of the present document for an RFP when operating as an RFP and for a PP when operating as a PP.

There are however three basic types of equipment with combined FT and PT functionality using a single common radio, which have been standardized. The notations for these types of equipment are Wireless Relay Stations, WRSs, see EN 300 700 [16], Direct PP to PP communication, see EN 300 175-3 [3], annex G, and Distributed Communications, see EN 300 175-5 [5], annex I. For these types of equipment the requirements described in the next three clauses shall apply.

4.3.9.1 Wireless Relay Station

Wireless Relay Stations, WRSs, see EN 300 700 [16], provide relaying between FT and PT operating simultaneously. A WRS belongs to a specific DECT system, and has to be registered and locked to this system to operate.

WRSs shall conform to the requirements of clause 18.

NOTE: Conformance to clause 18 is also relevant for telephony applications. A WRS conforms to a defined frame multiplexing scheme, see EN 300 700 [16], which provides a transparent digital bit pipe for the user data, and which automatically provides an acceptable upper bound of the incremental delay introduced by a WRS.

4.3.9.2 Direct PP to PP communication

Direct PP-to-PP communication, see EN 300 175-3 [3], annex G, is a notation for a PP (or CTA) feature that provides ad hoc networking with specific temporary system ad hoc identities. A PP temporarily switches into FT mode to provide direct access to any of the other PPs of the ad hoc network. There is no requirement or need to being locked to an RFP. Since no RFP is involved in the communication link, direct PP-to-PP communication only uses half the spectrum compared to normal calls routed via RFPs.

PPs and CTAs with direct PP-to-PP communication option shall conform to the requirements of clause 19.

4.3.9.3 Distributed communications

Distributed communications, EN 300 175-5 [5], annex I, is a notation for a DECT system feature providing direct links between PPs (or CTAs). Such PPs and CTAs are also called Hybrid Parts, HyP. The HyPs always stay in lock with the DECT system and an RFP is always involved in the direct link connection. Either just by providing the locking and time synchronization, or also by direct involvement in the set up procedure. The main target application is data local networking. Since no RFP is involved in the user communication link, the distributed communications option only uses half the spectrum compared to normal calls routed via RFPs.

PPs and CTAs with distributed communications option, HyPs, shall conform to the requirements of clause 20.

4.3.10 Provision of 4 Mbit/s services. Equipment that is capable of using 4-level, 8-level, 16-level and/or 64-level modulation

Equipment is allowed to use 4-level, 8-level, 16-level and/or 64-level modulation in addition to the mandatory 2-level modulation. This will increase the bit rate of single radio DECT equipment by a factor 2 to 6, which allows for 4 Mbit/s services.

Such equipment shall conform to the requirements of clause 21.

4.3.11 Equipment supporting additional carriers

For EUTs supporting additional carriers (see clause 7.1) the various tests cases shall be performed, where relevant, on the two band edge carriers and on one carrier inside the band.

4.4 Interpretation of the measurement results

The interpretation of the results recorded in a test report for the measurements described in the present document shall be as follows:

- the measured value related to the corresponding limit shall be used to decide whether an equipment meets the minimum requirements of the standard. Allowance for uncertainty of the measurement shall only be given if this is permitted by the corresponding clause on verdict criteria;
- the actual measurement uncertainty of the test laboratory carrying out the measurement, for each particular measurement, shall be included in the test report;
- the values of the actual measurement uncertainty shall be, for each measurement, equal to or lower than the figures given in clause 5.8.5.

5 General test requirements

5.1 Test philosophy

All the tests in the present document are based upon a common philosophy. This philosophy assumes that test equipment is capable of emulating a PT or FT that conforms to the DECT CI specification. Consequently, each test setup consists of the test equipment being connected to the EUT, either by a radio link or via an antenna connector. Figures 1 and 2 show the possible test configurations.

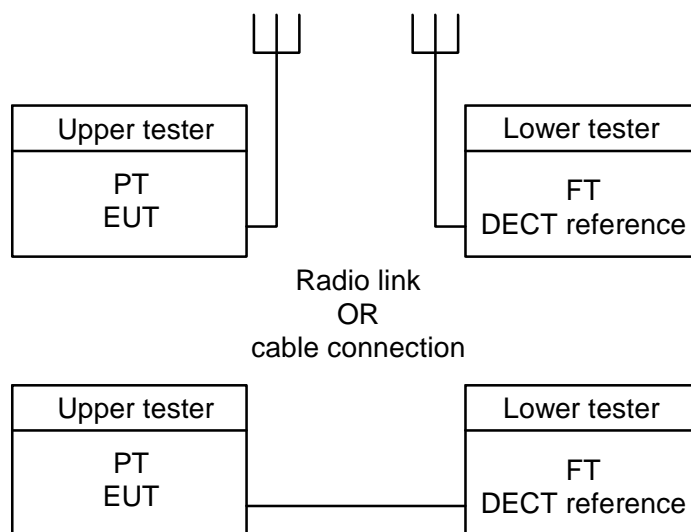


Figure 1: The EUT is a PT

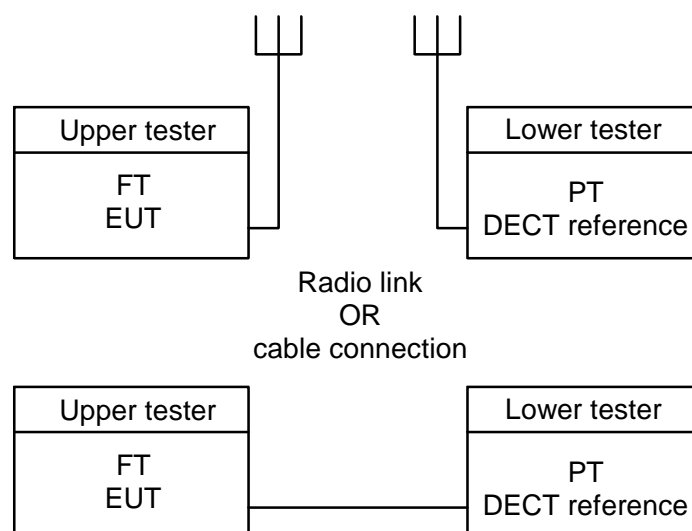


Figure 2: The EUT is an FT

Figures 1 and 2 also show that, if available, the EUT can sometimes be connected to the LT by an antenna connector. This is normally preferred in order to minimize the measurement uncertainties, however, in some test cases this is not permitted and is stated as such in each test case.

The LT shall consist of the general test equipment with the functionality as described in clause 5.8. It shall also include an RF interface which can emulate a DECT PT, or FT. The emulated DECT PT and FT (see clause 5.10) is an implementation of the DECT CI specification including all the mandatory services and facilities and some provision optional, process mandatory elements as well.

The UT is contained within the EUT and operates in response to test commands which are sent by the LT over the air interface. This enables the LT to place the EUT in a variety of test modes. These are described in clause 5.9.

5.2 Test site

5.2.1 Open air test site

5.2.1.1 Description

The term "open air" shall be understood from an electromagnetic point of view. Such a test site may be really in open air or, alternatively, with walls and ceiling transparent to the radio waves at the frequencies considered.

An open air test site may be used to perform the measurements using the radiated measurement methods described in annex B in the frequency range over which the site may be calibrated. Absolute or relative measurements may be performed on transmitters or receivers; absolute measurements require a calibration of the test site.

The distance between the equipment under test or substitution antenna and the test antenna shall be in accordance with current testing practice. Measuring distances of 3 m, 5 m, 10 m and 30 m are in common use in European test laboratories. A measurement distance of 1 m may be used for frequencies above 1 GHz if the dimensions of the test antenna is less than $[1 \text{ m} \times \lambda/2]^{1/2}$.

The test site shall be large enough to allow the erection of a measuring or transmitting antenna at a distance of $\lambda/2$ at the frequency of measurement or 3 m (1 m above 1 GHz), whichever is the greater. The height of the equipment or of the substitution antenna shall be 1,5 m; the height of the test antenna (transmit or receive) shall be variable between 1 and 4 m. The support for the equipment or substitution antenna shall be capable of 360° rotation and be made of a non-conductive material. The overall size of the open air test site shall be approximately 2 x D m by 3 x D m, where D is the measuring distance.

To eliminate errors caused by reflection coefficient variation from one measurement geometry to another, the standard ground plane should be substantially flat and horizontal; it should be made from a highly conductive metal. It shall be large enough (at least 5 m in diameter) to provide consistent ground reflections. The support for the equipment or substitution antenna shall be positioned in the middle of the ground plane. Sufficient precautions shall be taken to ensure that reflections from extraneous objects adjacent to the site do not degrade the measurement results, in particular:

- no extraneous conducting objects having any dimension in excess of a quarter wavelength of the highest frequency tested shall be in the immediate vicinity of the site;
- all cables shall be as short as possible; as much of the cables as possible shall be on the ground plane or preferably below and the low impedance cables shall be screened.

5.2.1.2 Calibration

The calibration allows the creation, in a given place, of a known field strength by the means of a signal generator connected to a substitution antenna. The calibration is valid only at a given frequency for a given polarization and for the exact position of the test antenna.

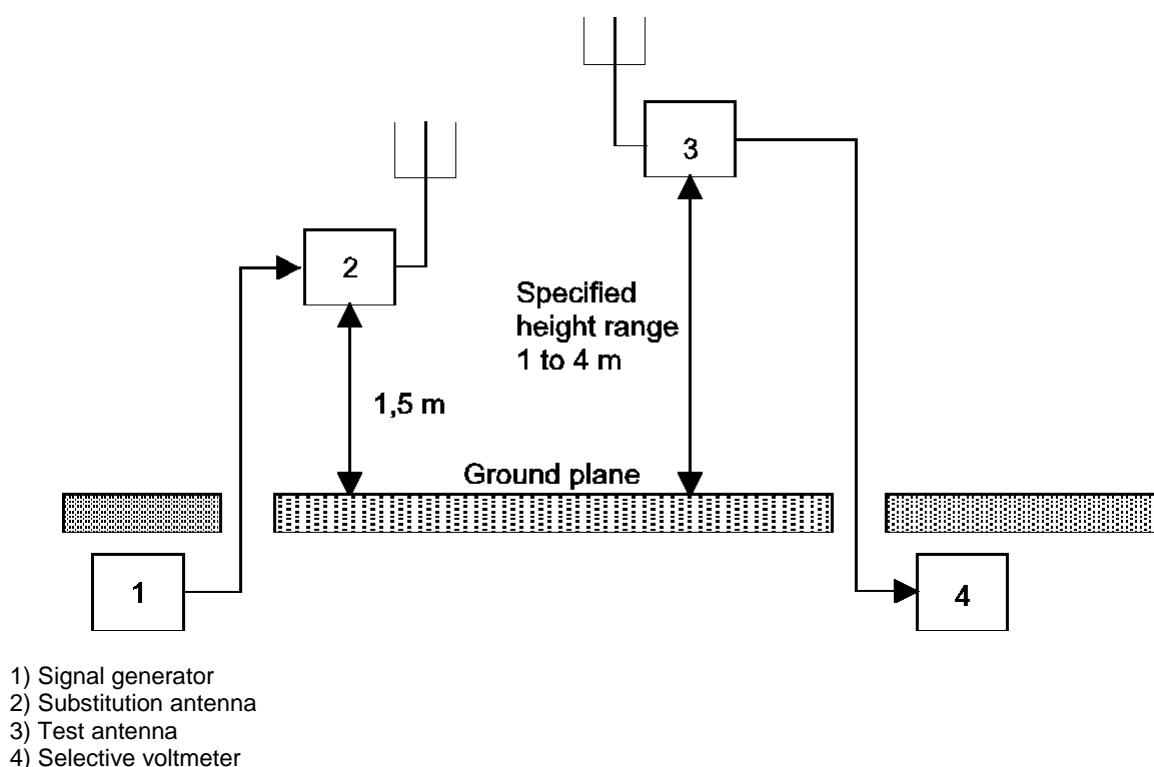


Figure 3: Measuring arrangement for calibration

All the equipment shall be adjusted to the frequency at which the calibration is to be performed.

The test antenna and the substitution antenna shall have the same polarization.

The test antenna connected to the selective voltmeter constitutes a calibrated field strength meter:

- the signal generator level shall be adjusted to produce the required field strength as measured on the selective voltmeter;
- the test antenna shall be raised or lowered through the specified range until the maximum signal level is detected on the selective voltmeter;
- the signal generator level shall be readjusted to produce the required field strength as measured on the selective voltmeter. Thus a relationship has been established between the signal generator level and the field strength.

5.2.2 Anechoic chamber

5.2.2.1 General

An anechoic chamber is a well shielded chamber covered inside with RF absorbing material and simulating a free space environment. It is an alternative site on which to perform the measurements using the radiated measurement methods described in annex B in the frequency range over which it may be calibrated. Absolute or relative measurements may be performed on transmitters or on receivers. Absolute measurements require a calibration of the anechoic chamber. The test antenna, equipment under test and substitution antenna are used in a way similar to that at the open air test site, but are all located at the same fixed height above the floor.

5.2.2.2 Description

An anechoic chamber should meet the requirements for shielding loss and wall return loss as shown in figure 4. Figure 5 shows an example of the construction of an anechoic chamber having a base area of 5 m by 10 m and a height of 5 m.

The ceiling and walls are coated with pyramidal absorbers approximately 1 m high. The base is covered with special absorbers which form the floor. The available internal dimensions of the chamber are 3 m × 8 m × 3 m, so that a maximum measuring distance of 5 m in the middle axis of this chamber is available. The floor absorbers reject floor reflections so that the antenna height need not be changed. Anechoic chambers of other dimensions may be used.

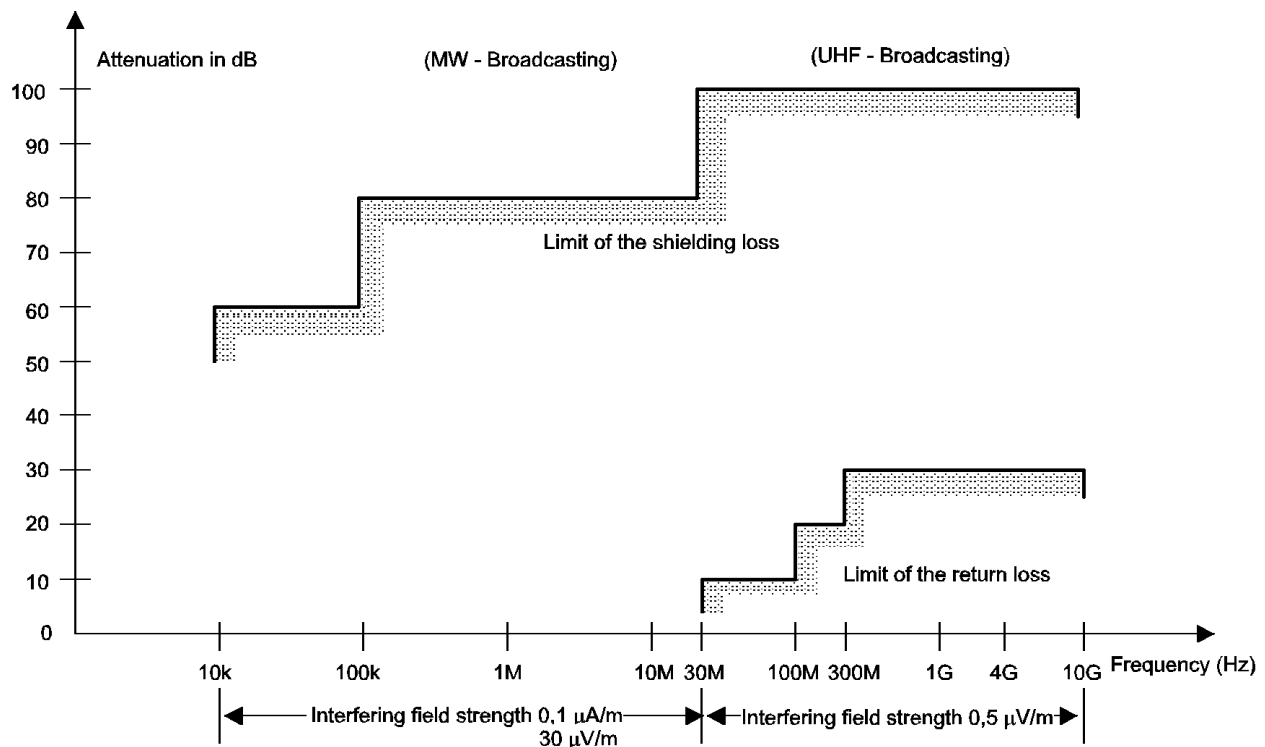


Figure 4: Requirements for shielding loss and wall return loss

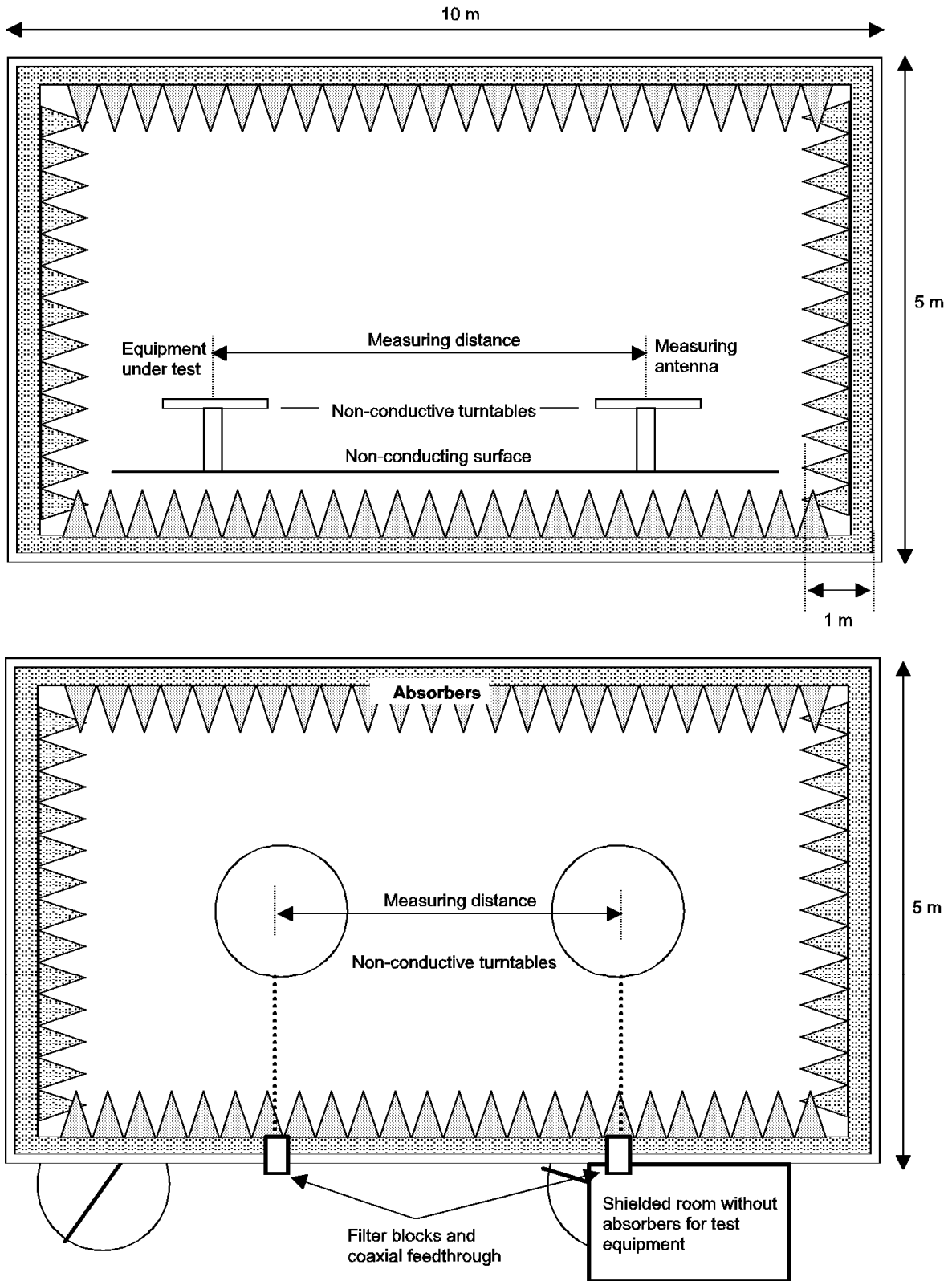


Figure 5: Example of construction of an anechoic chamber

5.2.2.3 Influence of parasitic reflections

For free-space propagation in the far field the relationship of the field strength X and the distance R is given by:

$$X = X_0 \times (R_0/R) \quad (1)$$

where X_0 is the reference field strength and R_0 is the reference distance. This relationship allows relative measurements to be made as all constants are eliminated within the ratio and neither cable attenuation nor antenna mismatch or antenna dimensions are of importance.

If the logarithm of above equation is used, the deviation from the ideal curve can be easily seen because the ideal correlation of field strength and distance appears as a straight line. The deviations occurring in practice are then clearly visible. This indirect method shows quickly and easily any disturbances due to reflections and is far less difficult than the direct measurement of reflection attenuation.

With an anechoic chamber of the dimensions given above at low frequencies below 100 MHz there are no far field conditions, but the wall reflections are stronger, so that careful calibration is necessary. In the medium frequency range from 100 MHz to 1 GHz the dependence of the field strength to the distance meets the expectations very well. Above 1 GHz, because more reflections will occur, the dependence of the field strength to the distance will not correlate so closely.

5.2.2.4 Calibration and mode of use

The calibration and mode of use is the same as for an open air test site, the only difference being that the test antenna does not need to be raised and lowered whilst searching for a maximum, which simplifies the method of measurement.

5.2.3 Stripline coupler

The stripline arrangement is a RF coupling device for coupling the integral antenna of an equipment to a 50 Ω radio frequency terminal. This allows the radiated measurements described in clause 5 to be performed without an open air test site but in a restricted frequency range. Absolute or relative measurements may be performed; absolute measurements require a calibration of the stripline arrangement.

5.2.3.1 Description

The stripline is made of three highly conductive sheets forming part of a transmission line which allows the equipment under test to be placed within a known electric field. They shall be sufficiently rigid to support the equipment under test.

An example of stripline characteristics is given below:

- useful frequency range: 0,1 MHz to 4 000 MHz;
- equipment size limits: length: 1 200 mm;
- (antenna included): width: 1 200 mm;
height: 400 mm.

5.2.3.2 Calibration

The aim of calibration is to establish at any frequency a relationship between the voltage applied by the signal generator and the field strength at the designated test area inside the stripline.

5.2.3.3 Mode of use

The stripline arrangement may be used for all radiated measurements within its calibrated frequency range.

The method of measurement shall be the same as the method using an open air test site with the following change.

The stripline arrangement input socket shall be used instead of the test antenna.

5.3 Standard position

The standard position in all test sites, except the stripline arrangement, for equipment which is not intended to be worn on a person, including hand-held equipment, shall be on a non-conducting support, height 1,5 m, capable of rotating about a vertical axis through the equipment. The standard position of the equipment shall be the following:

- a) for equipment with an integral antenna, it shall stand so that the axis of the equipment which in its normal use is closest to the vertical shall be vertical;
- b) for equipment with a rigid external antenna, the antenna shall be vertical;
- c) for equipment with a non-rigid external antenna, the antenna shall be extended vertically upwards by a non-conducting support.

In the stripline arrangement the equipment under test or the substitution antenna is placed in the designated test area in the normal operational position, relative to the applied field, on a pedestal made of a low dielectric material (dielectric constant less than 2).

5.4 Test antenna of the LT

When the test site is used for radiation measurements the test antenna shall be used for reception of the field from both the test sample and the substitution antenna. When the test site is used for the measurement of receiver characteristics the antenna shall be used as a transmitting antenna. This antenna shall be mounted on a support capable of allowing the antenna to be used in either a horizontal or vertical polarization and for the height of its centre above the ground to be varied over the specified range. Preferably test antennas with pronounced directivity should be used. The size of the test antenna along the measurement axis shall not exceed 20 % of the measuring distance.

5.5 Substitution antenna

The substitution antenna shall be used to replace the equipment under test. For measurements below 1 GHz the substitution antenna shall be a half wavelength dipole resonant at the frequency under consideration, or a shortened dipole, calibrated to the half wavelength dipole. For measurements between 1 GHz and 4 GHz either a half wavelength dipole or a horn radiator may be used.

For measurements above 4 GHz a horn radiator shall be used. The centre of this antenna shall coincide with the reference point of the test sample it has replaced. This reference point shall be the volume centre of the sample when its antenna is mounted inside the cabinet, or the point where an outside antenna is connected to the cabinet.

Above 1 GHz the gain of the substitution antenna shall be relative to an isotropic radiator.

Below 1 GHz where a dipole is used as the substitution antenna no gain correction is needed.

The distance between the lower extremity of the dipole and the ground shall be at least 30 cm.

NOTE: The gain of a horn antenna is generally expressed relative to an isotropic radiator.

5.6 Test fixture

5.6.1 Description

The test fixture is a radio frequency coupling device associated with an integral antenna equipment for coupling the integral antenna to a 50 Ω radio frequency terminal at the working frequencies of the equipment under test. This allows certain measurements to be performed using the conducted measurement methods. Measurements may only be performed at or near frequencies for which the test fixture has been calibrated.

In addition, the test fixture shall provide:

- a connection to an external power supply; and
- interfaces to other relevant inputs and outputs.

The test fixture should be provided by the applicant.

The performance characteristics of the test fixture shall be approved by the test laboratory and shall conform to the following basic parameters:

- a) the coupling loss shall not be greater than 20 dB;
- b) a coupling loss variation over the frequency range used in the measurement which does not exceed 2 dB;
- c) circuitry associated with the RF coupling shall contain no active or non linear devices;
- d) the Voltage Standing Wave Ratio (VSWR) at the 50 Ω socket shall not be greater than 1,5 over the frequency range of the measurements;
- e) the coupling loss shall be independent of the position of the test fixture and be unaffected by the proximity of surrounding objects or people. The coupling loss shall be reproducible when the equipment under test is removed and replaced;
- f) the coupling loss shall remain substantially constant when the environmental conditions are varied.

The characteristics and calibration shall be included in the test report.

5.6.1.1 Calibration of the test fixture for the measurement of transmitter characteristics

The calibration of the test fixture establishes a relationship between the output of the test fixture and the output of the equipment inside the test fixture. See figure 6 for measuring arrangement for calibration.

The calibration is valid only at a given frequency or range of frequencies and for a given polarization of the reference field.

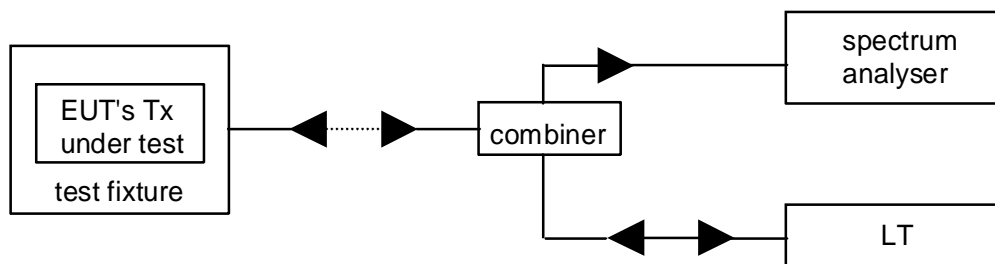


Figure 6: Measuring arrangement for calibration

- a) Using the appropriate method described in clauses 10.2 and 10.3 (transmitted power) measure the NTP and note the value of this power and the polarization used.
- b) The transmitter shall be placed in the test fixture which is connected to the spectrum analyser. The measured level in dBm shall be noted.
- c) The calibration for the test fixture is the linear relationship between the measured power in dBm according to clause 10 (transmitted power) and the measured power in dBm in this calibration setup.

5.6.1.2 Calibration of the test fixture for the measurement of receiver characteristics

The calibration of the test fixture establishes a relationship between the level of the signal connected to the test fixture and the field strength applied to the equipment inside the test fixture. See figure 7 for measuring arrangement for calibration.

The calibration is valid only at a given frequency and for a given polarization of the reference field.

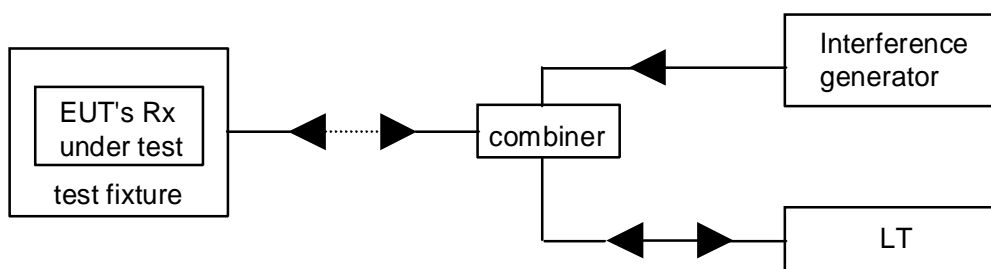


Figure 7: Measuring arrangement for calibration

- a) Using the method described in annex B, measure the sensitivity expressed as field strength for a Bit Error Ratio (BER) of 0,001 or less and note the value of this field strength in dB μ V/m and the polarization used.
- b) The receiver shall be placed in the test fixture which is connected to the LT (with BER measuring test facilities). The level of the signal connected to the test fixture producing the same BER measured according to the method used in step a) shall be noted.
- c) The calibration of the test fixture is thus the linear relationship between field strength in dB μ V/m and the signal generator level in dB μ V emf.

5.6.1.3 Mode of use

A test fixture may be used for tests under extreme temperatures and for transmitter and receiver measurements that can be carried out with an uncalibrated test fixture.

If the calibrated test fixture is used as an alternative for the test site then its use, the characteristics and the calibration shall be recorded in the test report.

5.6.2 Equipment with a temporary or internal permanent antenna connector

The means to access and/or implement the internal permanent or temporary antenna connector shall be stated by the applicant with the aid of a diagram.

The fact that use has been made of the internal antenna connection to facilitate measurements shall be recorded in the test report.

All references in the present document to antenna connector, external antenna connector and temporary connectors shall be understood to be identical and to mean an external antenna connector and/or temporary and/or internal permanent connector.

5.6.2.1 Equipment with a temporary antenna connector

The applicant, or an authorized representative, may submit one set of equipment with the normal antenna connected, to enable the radiated measurements to be made.

The applicant, or an authorized representative, shall attend the test laboratory at conclusion of the radiated measurements, to disconnect the antenna and fit the temporary connector.

The test laboratory staff shall not connect or disconnect any temporary antenna connector.

Alternatively the applicant, or an authorized representative, may submit two sets of equipment to the test laboratory, one fitted with a temporary antenna connector with the antenna disconnected and the other with the antenna connected.

Each equipment shall be used for the appropriate tests.

5.7 Indoor test site

An indoor test site may be used instead of an open air test site or an anechoic room. However, the open air test site or the anechoic room are preferred. Each test case lists the allowed test sites.

5.7.1 Description

An indoor test site is a partially screened site, where the wall located behind the test sample is covered with a radio frequency absorbing material and a corner reflector is used with the test antenna. It may be used when the frequency of the signals being measured is greater than 80 MHz.

The measurement site may be a laboratory room with a minimum area of 6 m by 7 m and at least 2,7 m in height.

Apart from the measuring apparatus and the operator, the room shall be as free as possible from reflecting objects other than the walls, floor and ceiling.

The site arrangement is shown in figure 8 for horizontal polarization.

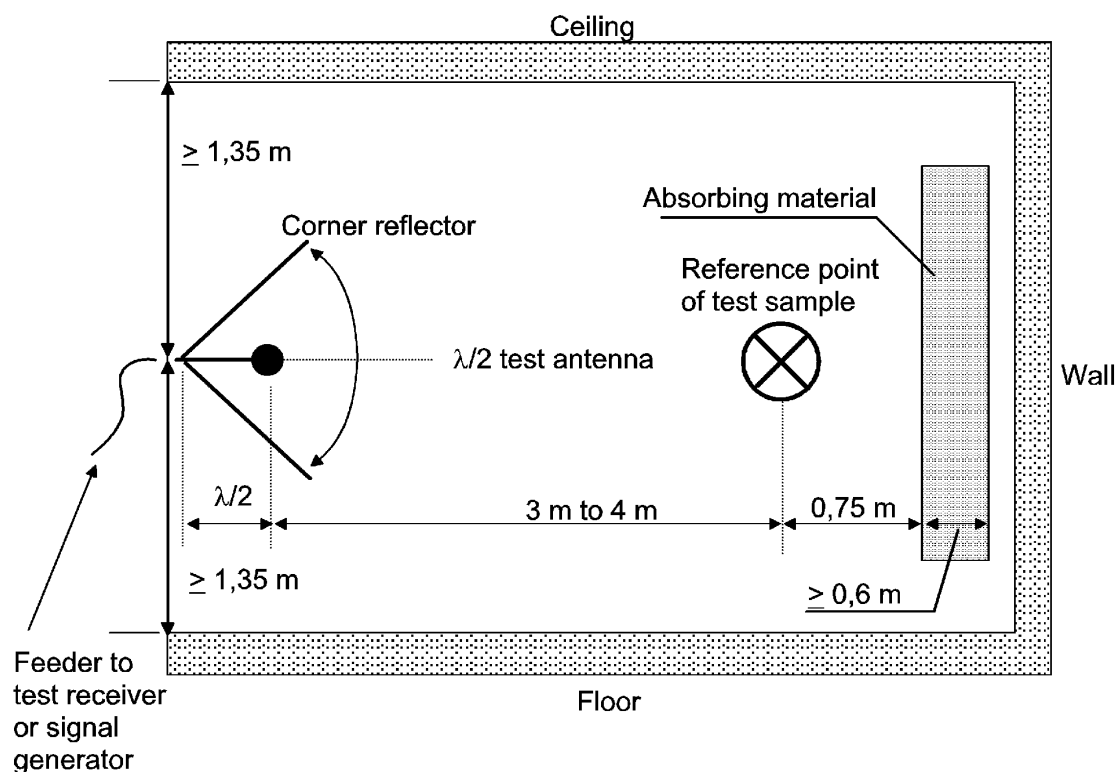


Figure 8: Indoor test site arrangement (shown for horizontal position)

The potential reflections from the wall behind the equipment under test shall be reduced by placing a barrier of absorbent material in front of the wall. The corner reflector around the test antenna shall be used to reduce the effect of reflections from the opposite wall and from the floor and ceiling in the case of horizontally polarized measurements.

Similarly, the corner reflector reduces the effects of reflections from the side walls for vertically polarized measurements. For the lower part of the frequency range (below approximately 175 MHz) no corner reflector or absorbent barrier is needed. For practical reasons, the half wavelength antenna in figure 8 may be replaced by an antenna of constant length, provided that this length is between a quarter wavelength and one wavelength at the frequency of measurement and the sensitivity of the measuring system is sufficient. In the same way the distance of half wavelength to the apex may be varied.

5.7.2 Test for parasitic reflections

To ensure that errors are not caused by the propagation path approaching the point at which phase cancellation between direct and the remaining reflected signals occurs, the substitution antenna shall be moved through a distance of ± 10 cm in the direction of the test antenna as well as in the two directions perpendicular to this first direction.

If these changes of distance cause a signal change of greater than 2 dB, the test sample should be repositioned until a change of less than 2 dB is obtained.

5.7.3 Calibration and mode of use

The calibration and mode of use is the same as for an open air test site, the only difference being that the test antenna does not need to be raised and lowered whilst searching for a maximum, which simplifies the method of measurement.

5.8 Lower Tester (LT)

5.8.1 Description

The lower tester is a logical grouping that contains a DECT PT, DECT FT, the measurement equipment and the controller of the DECT testing system. The LT has the job of sending testing commands, performing calculations (e.g. signal processing) and interacting with the EUT for the various tests. The LT may implement the Test Support Profile (TSP) described in annex D in order to support the test messages and procedures in a fully standardized manner. This unit is also involved with DECT RF carrier generation, reception, and demodulation. In addition, the LT has wideband RF requirements for emissions and interference testing. See figure 9 for functional contents of the LT.

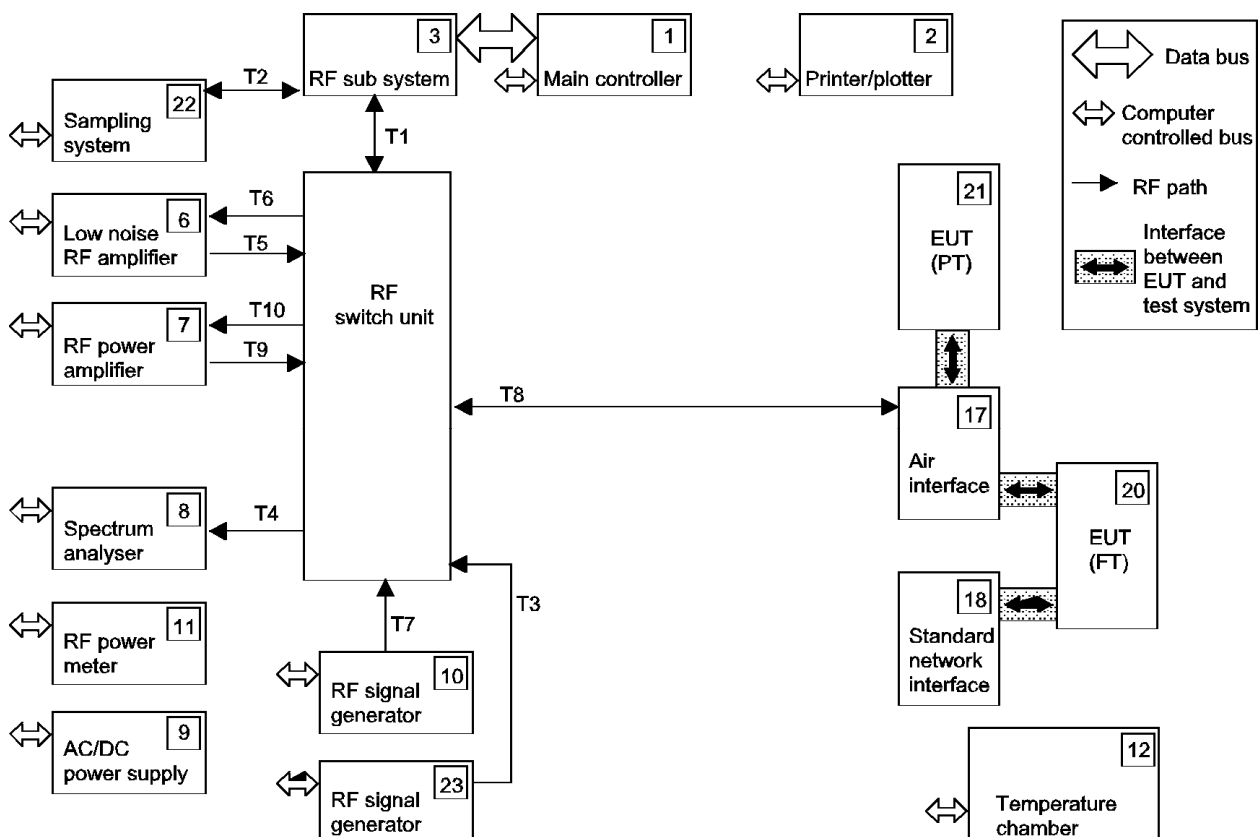


Figure 9: Functional contents of the LT

5.8.2 Connections between the EUT and the LT

This is specified in each test case.

5.8.3 Functions and abilities

The LT shall include all the functions necessary to perform the tests described in the present document.

These include the ability to:

- generate one actual DECT RF signal;
- generate one modulated DECT-like carrier;

- generate Continuous Wave (CW) interferer(s);
- sample and store an accurate representation of the EUT's RF signal;
- transmit a variety of test data sequences in the B-field;
- transmit on more than one slot per frame;
- make measurements as described in the present document according to the uncertainties described in clause 5.8.5;
- emulate a DECT FT, with the possibility to programme all DECT identity codes;
- emulate a DECT PT, with the possibility to programme all DECT identity codes.

5.8.4 Signal generation uncertainty

Carrier frequency: ± 5 kHz.

5.8.4.1 Modulated DECT-like carrier

This is a RF carrier using Gaussian shaped frequency-shift keying ($BT = 0,5$) modulated with a 1 152 kbit/s pseudo-random sequence with minimum length $2^9 - 1$. If the signal is burst, it is required that the burst is synchronized to the DECT test signal generated by the LT.

5.8.4.2 CW interferers

The uncertainty shall be determined by the overall BER measurement uncertainty of a test case. This is specified in clause 5.8.5.

5.8.4.3 DECT RF signal

The carrier is defined using the method of clause 7.3 and it shall meet the requirements needed to fulfil measurement uncertainties of clause 5.8.5.

During ramp-up the transmitted RF signal shall be the nominal carrier frequency without modulation. The transmitted signal shall comply with the requirements for the transmission burst as given in clause 9. The NTP-1 dB shall not be available more than 2 μ s before start of the first transmitted bit. The transmitter attack time as defined in clause 9.1.4 shall be less than 5 μ s.

The NTP-1 dB of test equipment that cannot provide an unmodulated carrier shall be available within 1 bit period before start of the first bit transmitted. Moreover the transmitter attack time as defined in clause 9.1.4 needs to be less than a 2-bit period.

5.8.4.4 Test modulation signals

The test modulating signal is a baseband signal which modulates a carrier and is dependent upon the type of equipment under test and also the measurement to be performed.

Signals for data (bit stream):

- D-M2:** A signal representing a pseudo-random bit sequence of at least 511 bits in accordance with ITU-T Recommendation O.153 [12]. This sequence shall be continuously repeated. This signal shall be used as a wanted signal.

5.8.5 Measurement uncertainty

The following values of measurement uncertainty associated with each measurement parameter apply to all of the test cases described in the present document.

Table 3A: Measurement uncertainty

Parameter	Value
Relative drift radio frequency	±2 kHz
Absolute radio frequency	±10 kHz
Conducted emissions	±1 dB
Radiated emissions	±3 dB
Absolute RF power (via an antenna connector)	±1 dB
Absolute RF power (for unwanted emissions in the DECT band)	±4 dB
Absolute RF power (for unwanted emissions outside the DECT band)	conducted: ±4 dB radiated: ±6 dB
Relative RF power	±1 dB
Absolute RF power (radiated)	±3 dB
Relative Packet timing	±0,1 µs
Absolute Packet timing	±1 µs
Timing stability of FT	1 ppm
Transmitter burst transient time	±20 % (of the measured value)
Peak frequency deviation	±10 kHz
NOTE: All figures reflect a 95 % confidence level.	

5.9 Upper Tester (UT)

5.9.1 Description of the UT

The UT is part of, but not necessarily restricted to, the EUT. For the purpose of testing, an EUT capable of transmitting shall recognize a mandatory set of test commands sent by the LT. The ability to recognize and implement these commands is contained in the UT which is resident in the medium access control layer as described in EN 300 175-3 [3], and as refined by clause 18. All DECT equipment shall be capable of recognizing these commands. An EUT which is declared as implementing the TSP shall implement the provisions of the TSP described in annex D. The implementation of the TSP is not mandatory.

5.9.2 The test standby mode

Accessibility to these messages is controlled by some means of mechanical interlocking method or manual switching (e.g. dip-switch, jumper, prom, or key-pad code as designated by the applicant) to prevent accidental execution of these messages in a DECT user environment.

When the EUT has been switched into a mode whereby the test messages are accessible, the EUT is said to be in the test standby mode.

5.9.3 Test messages

The MAC layer test messages provide the following functions:

- a) Instruct the EUT to transmit on a LT-specified physical channel. The test message also determines whether the handover function of the EUT (if so equipped) is disabled and if previous bearers are to be maintained (see EN 300 175-3 [3], clauses 7.2.5.4.2 and 12.3).
- b) Instruct the EUT to perform the loopback function in which a test data pattern transmitted by the LT is replicated in the reply transmission of the EUT. The test data pattern is a bit sequence located in the D-fields of the LT and EUT. The bits of the D-field that are affected by the loopback function depend on the equipment type and are as follows.

Table 3B

Equipment type	Loopback bits
Transmits only A-field	a_{16} to a_{47}
Transmits half-slots	b_0 to b_{79}
Transmits full-slots	b_0 to b_{319}
Transmits long-slots	b_0 to b_{639}
Transmits double-slots	b_0 to b_{799}

Equipment capable of transmitting more than one slot type shall use the longest slot type for this test message, (see EN 300 175-3 [3], clauses 7.2.5.4.3 and 12.4).

- c) Defeat antenna diversity and select the specified antenna for operation in those EUTs possessing antenna diversity (see EN 300 175-3 [3], clauses 7.2.5.4.4 and 12.5).
- d) Initiate the bearer handover procedure resident in an EUT that is declared by the applicant as possessing bearer handover capability (see EN 300 175-3 [3], clauses 7.2.5.4.5 and 12.6).
- e) Permit inclusion of proprietary test messages by means of the "escape" code (see EN 300 175-3 [3], clauses 7.2.5.4.6 and 12.8).
- f) Pass test messages (when applicable) to the network layer of the EUT, (see EN 300 175-3 [3], clauses 7.2.5.4.7 and 12.7).
- g) Provide for a means to reset the test state of the EUT by means of the "clear test modes" message (see EN 300 175-3 [3], clauses 7.2.5.4.8 and 12.9).

5.9.4 Dummy setting when EUT is a RFP and it is in test stand-by mode

If the EUT is a RFP, the dummy bearer shall either be switched off when the traffic bearer is active in test stand-by mode, or it is placed on the same RF carrier as the traffic bearer. If necessary, the applicant shall supply a method to do this.

Such a method may be controlled either by some means of manual switching (e.g. dip-switch, jumper, prom, or key-pad code as designated by the applicant), or by means of a proprietary "escape" code test message.

5.10 Description of the lower tester FT and PT

The lower tester FT and PT are systems consisting of the RF equipment, controller(s), software, and other related components necessary to be capable of implementing all the functions defined in the DECT specification documents.

5.11 General test methods

5.11.1 General

It is recognized that for some parameters alternative test methods may exist. It is the responsibility of the test laboratory to ensure that any alternative test method used yields results identical to those described in the present document.

5.11.2 Sampling the RF signal

5.11.2.1 Introduction

A number of tests in the present document require the RF signal to be sampled and demodulated. The following text describes the sampling method that should be performed in the LT.

5.11.2.2 Sampling method

The equipment under test shall be connected to the LT. This connection shall be direct for an EUT having an antenna connector or via an antenna coupling device for an EUT with an integral antenna and not having means of connecting an external antenna, unless otherwise specified in the present document.

Handover (if available) shall be disabled in the EUT while the sampling takes place (see clause 5.9.3 for the appropriate test message reference).

Antenna diversity (if available) shall be disabled in the EUT while the sampling takes place see clause 5.9.3 for the appropriate test message reference).

Using a sampling measurement method, capture a representation of the EUT's transmitted RF signal. The position in a physical packet shall be calculated using the samples from the physical packet, knowing the received bit pattern. These calculated bit positions shall be used as the time reference when making measurements of RF frequency, phase and power.

NOTE: When reference is made to p_0 in the present document, for example, it is intended that its position is calculated using many samples of a physical packet. The frequency, power or phase at this theoretical position of p_0 can then be measured.

5.11.3 Determining the reference position

During many tests the EUT is required to be oriented specifically in relation to the test antenna connected to the LT.

This position is called the reference position and is defined in the following clauses.

5.11.3.1 Case 1: EUTs that cannot transmit

If the EUT has only an integral antenna then the applicant shall inform the test laboratory of the orientation of the integral antenna.

5.11.3.2 Case 2: EUTs that can transmit

The EUT shall be placed in a mode whereby it is transmitting.

NOTE: For most tests the EUT will have already been placed in a transmission mode.

The EUT shall be rotated in both horizontal and vertical planes in order to locate the direction of maximum field strength that is detected by the test antenna. This orientation shall be called the reference position.

5.11.4 Bit Error Rate (BER) and Frame Error Ratio (FER) measurements

BER measurements are carried out by comparing data in the loop back field transmitted by the LT with data in the loop back field received from the EUT (which is in loop back mode).

If the EUT does not recognize the sync word of the frame transmitted by the LT and therefore is unable to loop back any data, this frame shall be disregarded from the BER measurement.

Refer to annex E and annex F for further information and for the definition of FER.

5.12 Test setup

Test setups have been defined according to ISO/IEC 9646-1 [10]. The test cases listed in table 3 have an associated test setup.

The numbers inside the figures shown in clauses 5.12.1 to 5.12.5 refer to functional blocks inside the LT. These are shown in figure 9 in clause 5.8.1.

5.12.1 Test setup 1

For the test setup depicted in figure 10, the following test cases apply:

- Test Case: 1, 2, 3, 4, 5, 6, 7, 8, 14 and 15.

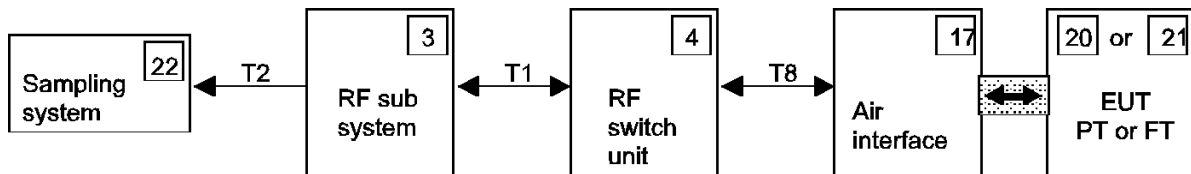


Figure 10: Test setup 1

5.12.2 Test setup 2

For the test setup depicted in figure 11, the following test cases apply:

- Test Case: 16 and 18.

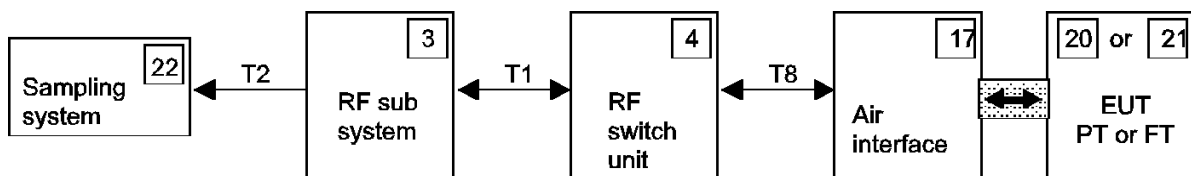


Figure 11: Test setup 2

5.12.3 Test setup 3

For the test setup depicted in figure 12, the following test case applies:

- Test Case: 19.

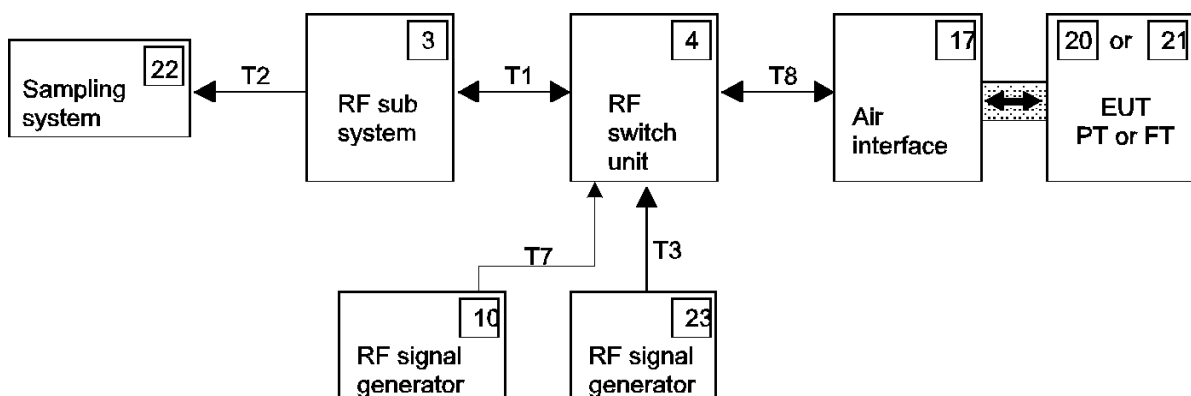


Figure 12: Test setup 3

5.12.4 Test setup 4

For the test setup depicted in figure 13, the following test cases apply:

- Test Case: 9, 10, 11, 12, 13 and 20.

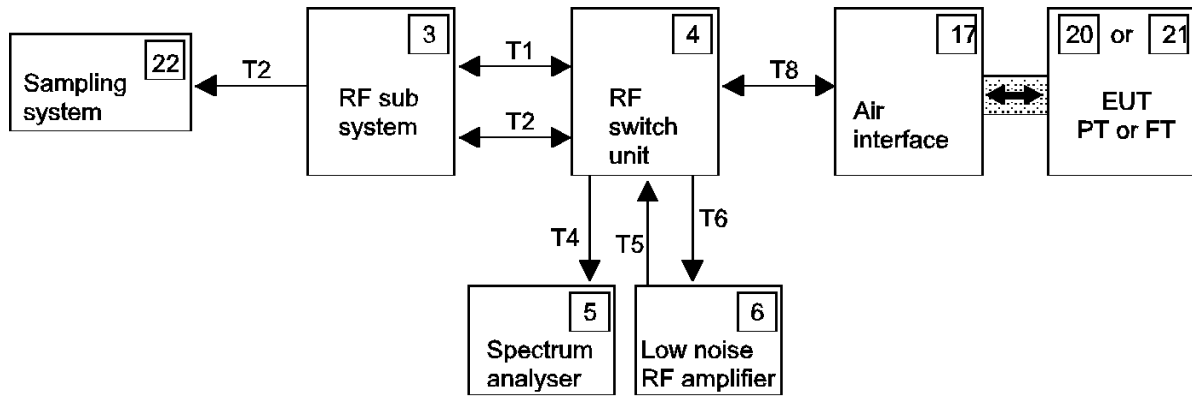


Figure 13: Test setup 4

5.12.5 Test setup 5

For the test setup depicted in figure 14, the following test case applies:

- Test Case: 17.

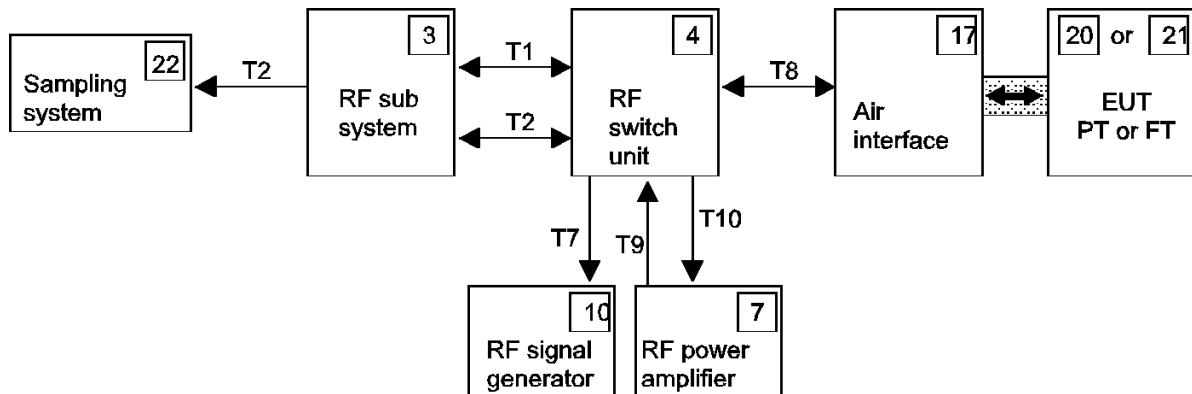


Figure 14: Test setup 5

5.13 Test arrangements for intermodulation measurements

5.13.1 PT to PT arrangement

In the PT-to-PT situation, the minimum distance for non-interference operation is specified as being 0,5 m. Figure 15 shows the testing arrangement.

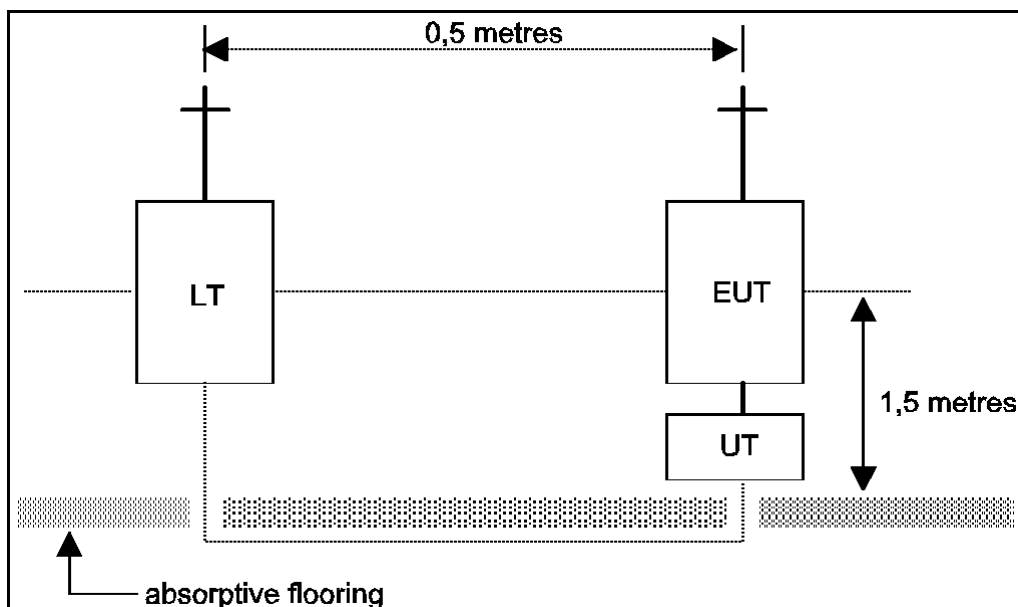


Figure 15: Test arrangement

The elevation of the antennas is the same. Absorptive flooring is used to minimize reflection effects. The link between the UT and the EUT indicates the control of the EUT via the DECT air interface.

5.13.2 FT to FT arrangement

In the FT-to-FT situation, the minimum distance for non-interference operation is specified as being 1 m. Figure 16 shows the testing arrangement.

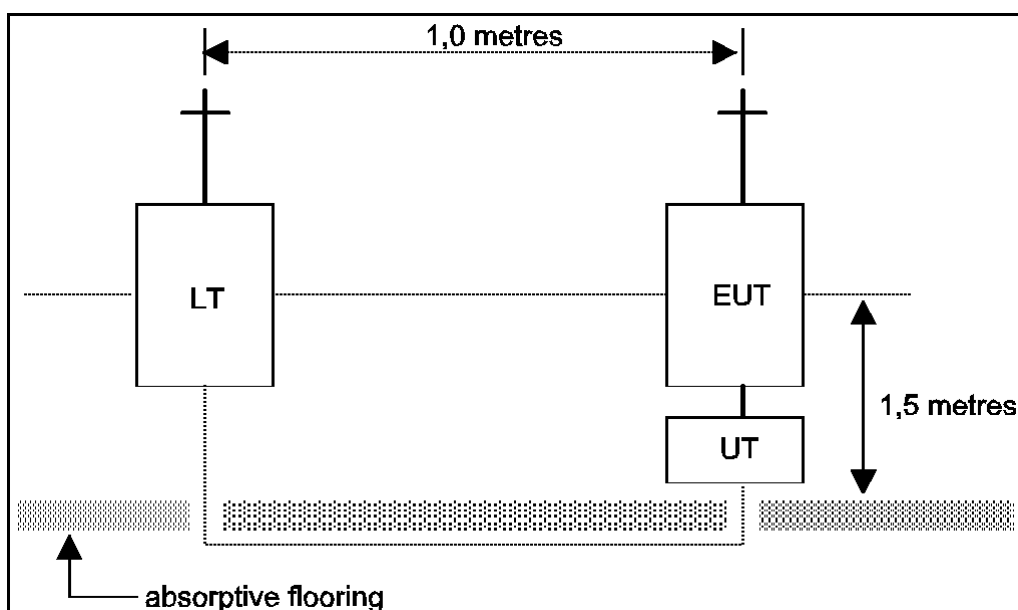


Figure 16: Test arrangement

The elevation of the antennas is the same. Absorptive flooring is used to minimize reflection effects. The link between the UT and the EUT indicates the control of the EUT via the DECT air interface.

5.13.3 FT to PT arrangement

In the FT to PT situation, the minimum distance for non-interference operation is specified as being 1 m.

Figure 17 shows the testing arrangement.

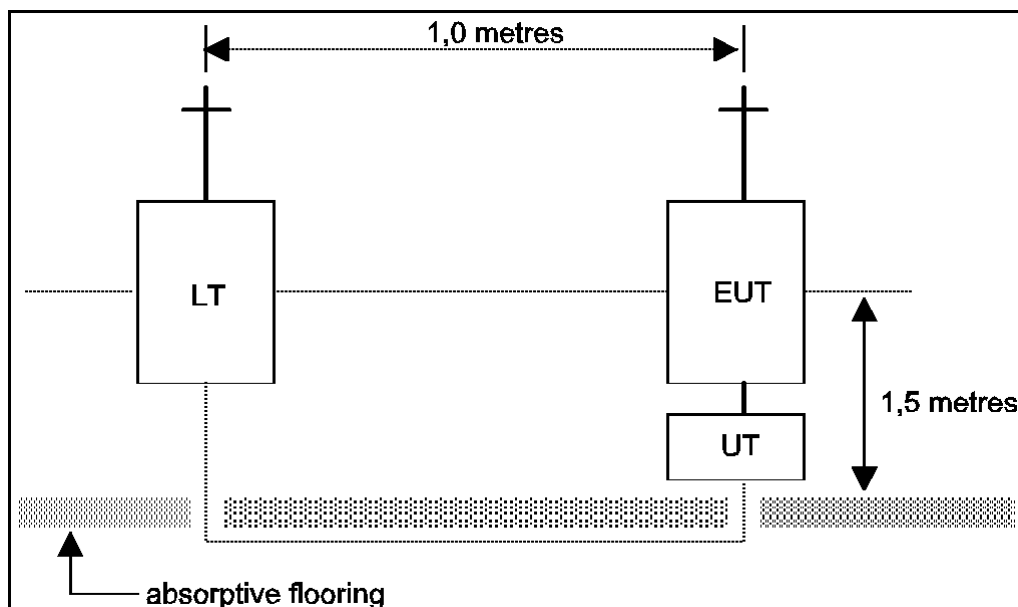


Figure 17: Test arrangement

The elevation of the antennas is the same. Absorptive flooring is used to minimize reflection effects. The link between the UT and the EUT indicates the control of the EUT via the DECT air interface.

6 Test conditions, power sources and ambient temperatures

6.1 General

The following conditions shall apply during all tests:

- atmospheric pressure: 86 kPa to 106 kPa;
- Relative Humidity (RH): 5 % to 75 % non-condensing.

The temperature conditions and voltage supply applied in each test are specified as either nominal or extreme. The definitions of nominal and extreme are contained in clauses 6.2 and 6.3. Each test case defines whether nominal or extreme conditions apply. In some test cases only extreme temperature conditions apply and this is stated in the appropriate test case.

Before measurements are made, the equipment shall have reached thermal equilibrium in the test chamber. The equipment shall be switched off during the temperature stabilizing period. If the thermal equilibrium is not checked by measurements, a temperature stabilizing period of at least one hour, or such period as may be decided by the test laboratory, shall be allowed.

Before the start of a test, but after reaching thermal equilibrium in the test chamber, the equipment shall be powered up. For RFPs, the time between power-up and the start of testing shall be greater than 15 minutes. For PPs, testing may commence any time after 1 minute after power-up.

The sequence of measurements shall be chosen, and the humidity content in the test chamber shall be controlled, so that condensation does not occur.

It is not necessary to control the atmospheric pressure during testing.

When it is impractical to carry out the tests under these conditions, a statement giving the actual temperature and relative humidity during the tests shall be recorded in the test report.

6.2 Nominal test conditions

These are identical for all types and classes of equipment. This is clarified by figures 18, 19 and 20.

PP:

	VOLTAGE		
	MIN	NOM	MAX
0°			
+15° to +35°		■	
+40°			

Figure 18: Nominal test conditions for PPs

FP, RFP, CCFP for Class E1 use:

	VOLTAGE		
	MIN	NOM	MAX
+10°			
+15° to +35°		■	
+40°			

Figure 19: Nominal test conditions for Class E1

FP, RFP, CCFP for Class E2 use:

	VOLTAGE		
	MIN	NOM	MAX
-10°			
+15° to +35°		■	
+55°			

Figure 20: Nominal test conditions for Class E2

For nominal temperature, each measurement is made at the temperature of the test site, which shall be within +15 °C to +35 °C.

6.3 Extreme test conditions

The extreme test conditions are determined by the type of equipment under test. Figures 21, 22 and 23 class the EUT as either PP, FP, RFP or CCFP (see clause 3.2 for definitions).

In addition, FPs, RFPs and CCFPs shall be classed as either for Class E1 use or Class E2 use. Class E1 use refers to indoor areas allowing for personal comfort, for example, homes, offices, laboratories or workshops. Class E2 use refers to all other areas.

For the extreme temperature ranges of -10 °C, 0 °C, +10 °C and +40 °C, measurements shall be made at the specified temperature with a tolerance of ±1 °C.

The definitions of minimum, nominal and maximum applied voltage are contained in clauses 6.5 and 6.6.

PP:

	VOLTAGE		
	MIN	NOM	MAX
0°	■		■
+15° to +35°		■	
+40°	■		■

Figure 21: Extreme test conditions for PPs

FP, RFP, CCFP for Class E1 use:

	VOLTAGE		
	MIN	NOM	MAX
+10°	■		■
+15° to +35°		■	
+40°	■		■

Figure 22: Extreme test conditions for Class E1

FP, RFP, CCFP for Class E2 use:

	VOLTAGE		
	MIN	NOM	MAX
-10°	■		■
+15° to +35°		■	
+55°	■		■

Figure 23: Extreme test conditions for Class E2

6.4 Test power source - general requirements

During the type tests, the power source of the equipment shall be replaced by a test power source, capable of producing normal and extreme test voltages as specified in clauses 6.5 and 6.6. The internal impedance of the test power source shall be low enough for its effect on the test results to be negligible. For the test purposes, the voltage of the power source shall be measured at the input terminals of the equipment.

If the equipment is provided with a permanently connected power cable, the test voltage shall be measured at the point of connection of the power cable to the equipment.

In equipment with incorporated batteries, the test power source shall be applied as close to the battery terminals as is practical. In each case connections shall be made readily available by the applicant.

During tests, the power source voltages shall be maintained within a tolerance of $\pm 3\%$ relative to the voltage at the beginning of each test.

6.5 Nominal test power source

6.5.1 Mains voltage

The normal test voltage for equipment to be connected to the mains shall be the nominal mains voltage. For the purpose of the present document, the nominal voltage shall be the voltage or voltages for which the equipment was designed as declared by the applicant. The frequency of the test power source corresponding to the ac mains shall be between 49 Hz and 51 Hz.

6.5.2 Regulated lead acid battery power sources

When the radio equipment is intended for operation from a lead-acid chemistry battery source, the source voltage used during testing shall be 1,1 times the nominal voltage of the battery (i.e. 1,1 x number of cells x 2 V/cell).

6.5.3 Nickel cadmium battery

When the equipment is intended for operation from a nickel-cadmium chemistry battery source, the source voltage used during testing shall be the nominal voltage of the battery (1,2 V/cell).

6.5.4 Other power sources

For operation from other power sources or types of battery, either primary or secondary, the normal test source voltage shall be that declared by the applicant.

6.6 Extreme test power source

6.6.1 Mains voltage

The extreme test source voltages for equipment to be connected to an ac mains source shall be the nominal mains voltage $\pm 10\%$. The frequency of the test power source shall be between 49 Hz and 51 Hz.

6.6.2 Regulated lead acid battery power sources

When the equipment is intended for operation from the usual type of regulated lead acid battery source, the extreme test voltages shall be 1,3 and 0,9 times the nominal voltage of the battery.

6.6.3 Nickel cadmium battery

When the equipment is intended for operation from the usual type of nickel cadmium battery, the extreme test voltages shall be 1,25 and 0,9 times the nominal voltage of the battery.

6.6.4 Other power sources

The lower extreme test voltage for equipment with power sources using primary batteries shall be as follows:

- a) for Leclanché type of battery: 0,85 times the nominal voltage;
- b) for other types of primary battery: the end point voltage declared by the applicant.

The upper extreme test voltage shall be the nominal voltage of the battery.

For equipment using other power sources, or capable of being operated from a variety of power sources, or designed for operation within extreme voltage limits not in accordance with those quoted above the extreme test voltages shall be those agreed between the applicant and the test laboratory and shall be recorded with the test results.

6.7 Testing of host connected equipment and plug-in cards

For equipment for which connection to or integration with host equipment is required to offer functionality, two alternative approaches are permitted. The applicant shall declare which alternative shall be used.

6.7.1 Alternative A: composite equipment

A combination of a DECT radio equipment part and a specific type of host equipment may be used for testing according to the present document.

Where more than one such a combination is intended, each combination shall be tested separately.

In case a specific combination of host and DECT radio equipment part is tested as a composite system, it is expected that testing shall not be repeated for those other combinations of hosts and DECT radio equipment parts which are based on substantially similar host models on the condition that the variations in mechanical and electrical properties between such host models are unlikely to have any significantly different influence on the radio characteristics of the DECT radio equipment part and providing that the radio module cannot be used without electrical, mechanical or software modifications in variations of hosts different from those represented by the units used for the type examination.

6.7.2 Alternative B: use of a test jig and three hosts

Where the DECT radio equipment part is intended for use with a variety of host systems, the applicant shall supply a suitable test jig. The test jig shall be designed such that alteration of the DECT radio equipment's intrinsic emissions is minimized. Where connection between the DECT radio equipment part and the host is by means of cables, optical fibres or similar means between control and/or power ports, the connection to the host shall be considered a suitable test jig.

The test jig shall allow the DECT radio equipment part to be powered and stimulated in a way similar to the way it would be powered and stimulated when connected to or inserted into host equipment.

In addition to tests on the test jig, the DECT radio equipment part shall be tested according to clauses 10.2, 12.2, 12.5.2 and 13.7 if the equipment is provided with an integral antenna, or clauses 10.3, 12.2, 12.5.3 and 13.7 if the equipment is provided with an antenna connector; when connected to or inserted into three different hosts. These hosts shall be provided by the applicant and shall be selected from the list of compatible hosts as published by the applicant as part of the user documentation supplied with the radio equipment part. The selection of hosts shall be agreed to by the applicable authority. National regulatory administrations shall have the discretion to require the applicant to inform them of each deletion from or addition to the list of compatible hosts as published in the user documentation.

For those tests required by the previous clause, with the DECT radio equipment part to be connected to or inserted in host equipment, the combination shall be tested against the requirements except for cabinet radiation from the enclosure which only in these specific tests shall be measured according to the requirements that apply to the host equipment. When the host equipment is Information Technology Equipment (ITE), the requirements of EN 55022 [14], class B apply.

7 Accuracy and stability of RF carriers

The requirements are given in EN 300 175-2 [2], clause 4.1.2.

7.1 Definition

Ten RF carriers are defined in the frequency band 1 880 MHz to 1 900 MHz with centre frequencies F_c given by:

- $F_c = F_0 - c \times 1,728$ MHz; where:
- $F_0 = 1\,897,344$ MHz; and
- $c = 0, 1, \dots, 9$.

Above this band, additional carriers are defined in EN 300 175-2 [2] annex F, which shows the carrier frequencies for $c = 0$ to 9 and for $c \geq 10$ and RF bands 00 001 to 01 001 (see EN 300 175-3 [3], clauses 7.2.3.3 and 7.2.3.9).

The frequency band between $F_c - 1,728/2$ MHz and $F_c + 1,728/2$ MHz shall be designated RF channel c .

NOTE 1: A nominal DECT RF carrier is one whose centre frequency is generated by the formula:
 $F_g = F_0 - g \times 1,728$ MHz, where g is any integer.

All DECT equipment should when allowed be capable of working on all 10 RF channels, $c = 0, 1, \dots, 9$.

NOTE 2: The most common spectrum allocation is 1 880 MHz to 1 900 MHz. But DECT carriers are specified for the whole frequency range 1 880 MHz to 1 980 MHz and 2 010 MHz to 2 025 MHz. This includes DECT allocations in different parts of the world as well as for DECT as an IMT-2000 family member, called IMT-FT (the only IMT-2000 member that provides for uncoordinated installations on an unlicensed spectrum). Carrier positions have also been defined for the US ISM band market. See EN 300 175-2 [2]. New or modified carrier positions and/or frequency bands can (locally) be defined when needed by utilizing reserved RF band numbers.

7.2 Test environment

The test shall take place at a test site or in a test fixture.

If the EUT has an antenna connector then it shall be used to connect the EUT to the LT.

The test shall take place under extreme test conditions.

7.3 Method of measurement

- a) The LT shall place the EUT in a mode whereby the EUT is positioned in a LT specified slot and RF channel $c = 5$. If so equipped, the handover function in the EUT shall be disabled (see clause 5.9.3 for the appropriate test message reference).
- b) The EUT shall be placed in a test mode whereby it performs the loopback function as referenced in clause 5.9.3.
- c) The LT shall transmit a packet with a test sequence in the loopback field of the packet. This test sequence shall be such that the sequence 0000 1111 0000 1111 is transmitted at the antenna of the EUT in the loopback field of the reply packet.
- d) Using the sampling method described in clause 5.11.2.2, capture a representation of the EUT's transmitted RF signal after allowing the EUT to be in an active-locked state (see EN 300 175-3 [3]) for more than 1 s.
- e) The EUT's carrier frequency for d) shall be assumed to be the average of the measured absolute frequencies of the loopback bits.
- f) Steps c) to e) shall be repeated until the following number of measurements have been made:

Table 3C

Equipment type	Number of measurements
A-field only transmit	100
Half-slot transmit	40
Full-slot transmit	10
Long-slot transmit	5
Double-slot transmit	5

The centre frequency of the EUT is taken to be the mean value of the measurements.

- g) Steps c) to f) shall be repeated for all combinations of temperatures and power supply voltages allowed under extreme test conditions.
- h) Steps c) to g) shall be repeated for RF channels $c = 0$ and 9.

- i) When the EUT is a PP, then c) to h) shall be repeated, with the addition that the RF signal is sampled (in d)) during the first 1 s of the EUT going into a transmit mode from a non-transmitting mode. If necessary a) and b) may be repeated as required in order to make the number of measurements specified in f).

7.4 Verdict criteria when the EUT is a RFP

The carrier frequencies as measured shall be within ± 50 kHz of the appropriate nominal DECT carrier frequency F_c .

7.5 Verdict criteria when the EUT is a PP

Case 1: When the measurement is made during the first 1 s of the EUT going into a transmit mode from a non-transmitting mode:

The carrier frequencies as measured either relative to an absolute frequency reference or relative to the received carrier, shall be within ± 100 kHz of the nominal DECT carrier frequency F_c .

Case 2: When the measurement is made at any other time:

The carrier frequencies as measured either relative to an absolute frequency reference or relative to the received carrier, shall be within ± 50 kHz of the nominal DECT carrier frequency F_c .

8 Accuracy and stability of timing parameters

The requirements are given in EN 300 175-2 [2], clauses 4.2.1, 4.2.2, 4.2.3 and 4.2.4.

8.1 Slot structure definitions

To access the medium in time, a regular TDMA structure is used. The structure repeats in frames of 11 520 symbols, and the data is transmitted at a symbol rate of 1 152 ksymbol/s. Within this frame, a primary structure of 24 slots, called full slots, is created (see figure 24). Each full-slot has a duration of 480 symbol intervals.

A full slot may be divided in two half-slots, with a duration of 240 symbol intervals (see figure 25).

Two consecutive full slots may be grouped together to form a double slot. A double slot has a length of 960 symbol intervals, and starts concurrently with a full slot (see figure 26).

A variable length slot, allows to implement slot lengths different of the half, full and double structures. Variable length slots start concurrently with a full slot.

The "long slots" ($j = 640$ or $j = 672$) are particular cases of the variable capacity slot and are equivalent to extended full slots.

For 2-level modulation, each symbol is equivalent to one bit. For other modulations each symbol is equivalent on 2, 3, 4 or 6 bits (see clause 21).

NOTE 1: The figures in this clause, show the number of bits in each slot for 2-level modulation.

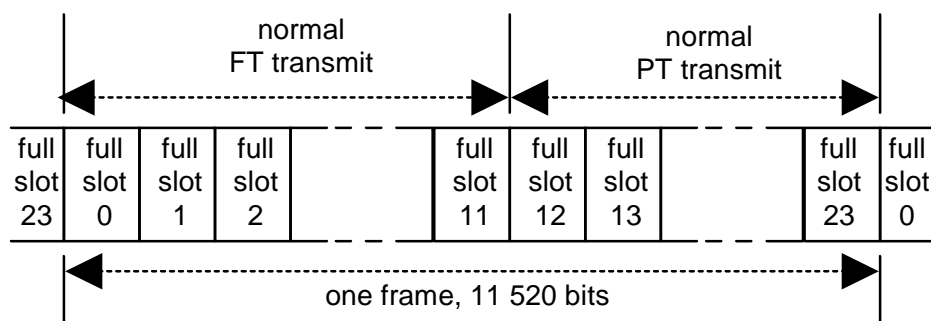


Figure 24: Frame and full-slot structure

Full-slots "K" are numbered from 0 to 23, and half-slots "L" are numbered 0 or 1, where half-slot 0 occurs earlier than half-slot 1. Normally full-slots $K = 0$ to 11 are used in the FT to PT direction, while full-slots $K = 12$ to 23 are normally used in the PT to FT direction.

Each full-slot has a duration of 480 bit intervals. Symbol intervals within a full-slot are denoted f_0 to f_{479} where interval f_0 occurs earlier than interval f_1 . Each half-slot has a duration of 240 symbol intervals. Half-slots commence at f_0 or f_{240} . See figure 25.

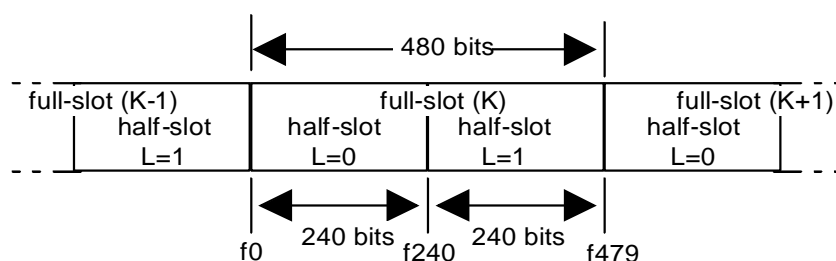


Figure 25: Half-slot format

Each double-slot has a duration of 960 symbol intervals and starts concurrently with a full slot. Symbol intervals within a double-slot are denoted f_0 to f_{959} . Symbols f_0 to f_{479} coincide with the same notation for full-slots.

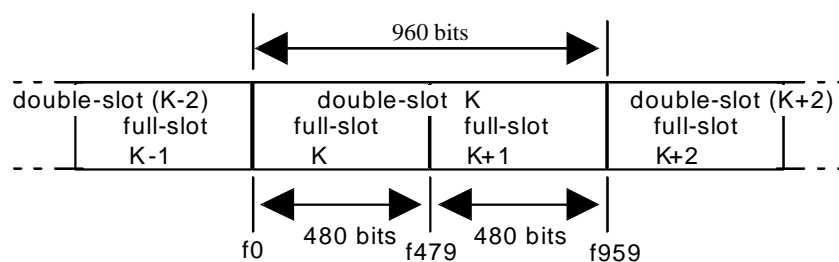


Figure 26: Double-slot format

The variable capacity slot (P00j) allows implementing slot lengths different of the half, full and double structures.

A variable capacity slot (P00j) has a duration of $100+j$ or $104+j$ data symbols.

Symbol intervals within a variable capacity slot are denoted p_0 to p_{103+j} .

- For $j = 80$, this slot structure becomes similar to the half slot, and for $j \leq 80$, this structure becomes a shortened half slot (see note 2).
- In case of $j \leq 136$, the beginning of symbol p_0 coincides either with the beginning of symbol interval f_0 or the beginning of symbol interval f_{240} of the full-slot structure (see figure 24).
- For $136 < j < 320$ this structure becomes a shortened full slot.
- For $j = 320$, this slot structure becomes the full slot (see note 3).

- For $320 < j < 800$ this slot structure becomes an extended full slot.
- For $j = 800$, this structure becomes similar to the double slot (see note 2), and has the format shown in figure 26.
- The maximum possible value of j is 856. For $800 < j \leq 856$, this structure becomes an extended double slot.

In all cases with $j > 136$, the beginning of symbol p_0 coincides with the beginning of symbol interval f_0 of the full-slot.

The variable capacity slot is named "long slot" in case of $j = 640$ or $j = 672$. The "long slots" ($j = 640$ or $j = 672$) are particular cases of the variable capacity slot and are equivalent to extended full slots.

NOTE 2: The X-CRC generation schemes for variable capacity slots are different from those used for half and double slots (see clause 6.2.5.4 of EN 300 175-3 [3]).

NOTE 3: The X-CRC generation schemes for variable capacity slots and for full slot are the same.

8.2 Definition of the position of p_0

The start of bit p_0 is defined to occur at the point in time 16-bit periods before the instant at which the modulated carrier passes through the nominal channel frequency immediately prior to the deviation corresponding to the first bit of the packet synchronization word for the EUT as defined in EN 300 175-2 [2], clause 4.6, of for a PT or FT. A method shall be used for the determination of the position of the packet synchronization word which meets the measurement uncertainty stated in clause 5.8.5. It is not the point at which a receiver determines the presence of p_0 .

8.3 Measurement of packet timing jitter

8.3.1 Test environment

The test shall take place at a test site in a test fixture. If the EUT is equipped with a temporary connector, the temporary connector may be used in place of the test fixture for this test.

If the EUT has an antenna connector then it shall be used to connect the EUT to the LT.

The test shall take place under extreme test conditions.

8.3.2 Method of measurement

- The LT shall place the EUT in a mode whereby the EUT is positioned in a LT specified slot and frequency. If so equipped, the handover function in the EUT shall be disabled (see clause 5.9.3 for the appropriate test message reference).
- The applicant shall declare to the testing laboratory the time required for system synchronization by the EUT.
- Using a sampling method, capture a representation of the RF signal transmitted by the EUT on the same slot position in 2 consecutive frames.
- The LT shall determine the positions of p_0 in the slots that were sampled in part c) above.
- Steps c) and d) shall be repeated 1 000 times.
- The reference time is the mean of the values measured in d) through f). The deviation of the maximum and minimum values from the mean is the packet timing jitter.

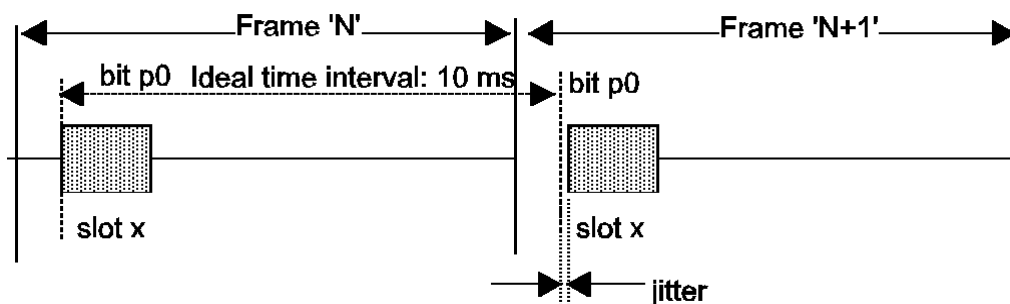


Figure 27

8.3.3 Verdict criteria

The packet timing jitter, as measured, shall be less than $\pm 1\mu\text{s}$ for the duration of this test.

8.4 Measurement of the reference timing accuracy of a RFP

8.4.1 Test environment

The test shall take place at a test site or in a test fixture. If the EUT is equipped with a temporary connector, the temporary connector may be used in place of the test fixture for this test.

If the EUT has an antenna connector then it shall be used to connect the EUT to the LT.

The test shall take place under extreme test conditions.

8.4.2 Method of measurement

- A minimum of one duplex bearer shall be setup between the LT and the EUT.
- Using a sampling method, measure the time, t_{long} , between the transmission of 1 000 frames using the same bit in each slot as the point of reference in each frame.

8.4.3 Verdict criteria

The EUT is required to conform to the following timing accuracies and stabilities at all the applied voltage conditions.

Table 4: Reference timing accuracies and stabilities

Type of EUT	Temperature	
	Nominal	Extreme
Multiple Channel RFP	5 ppm	10 ppm
Single Channel RFP	No test	10 ppm

t_{long} , as measured, shall be within the range of values given in table 5.

Table 5: Allowable timing variations

Timing Accuracy and Stability (ppm)	Ranges of t_{long} Constituting a Pass (seconds)
5	$9,99995 < t_{\text{long}} < 10,00005$
10	$9,99990 < t_{\text{long}} < 10,00010$

RFPs that can work with more than one duplex pair of physical channels per frame are known as multi-channel RFPs. Single channel RFPs can only work with one duplex pair of physical channels per frame (excluding handover situations).

8.5 Measurement of packet transmission accuracy of a PP

8.5.1 Test environment

The test shall take place at a test site or in a test fixture. If the EUT is equipped with a temporary connector, the temporary connector may be used in place of the test fixture for this test.

If the EUT has an antenna connector then it shall be used to connect the EUT to the LT.

If the EUT has the facilities for advancing the transmission timing from the nominal then this shall be disabled for the duration of this test.

The test shall take place under extreme test conditions.

8.5.2 Method of measurement

- The LT shall place the EUT in a mode whereby the EUT is positioned in a LT specified slot and channel number $c = 5$. If so equipped, the handover function in the EUT shall be disabled. See clause 9.5.3 for the appropriate test message reference. The applicant shall declare to the testing laboratory the time required for a system synchronization by the EUT.
- Using a sampling method, capture a representation of the RF signal transmitted by the LT and EUT 12 slots apart in the same frame.
- The LT shall determine the positions at the EUT of p0 in the slots that were sampled in part b) above.
- The delay shall be calculated as the difference in time between the p0 of the LT and the p0 of the EUT.
- Steps b) through to d) shall be repeated 100 times.
- Steps b) through to e) shall be repeated for RF channels $c = 0$ and 9.
- The minimum and maximum delays shall be found over all measurements.

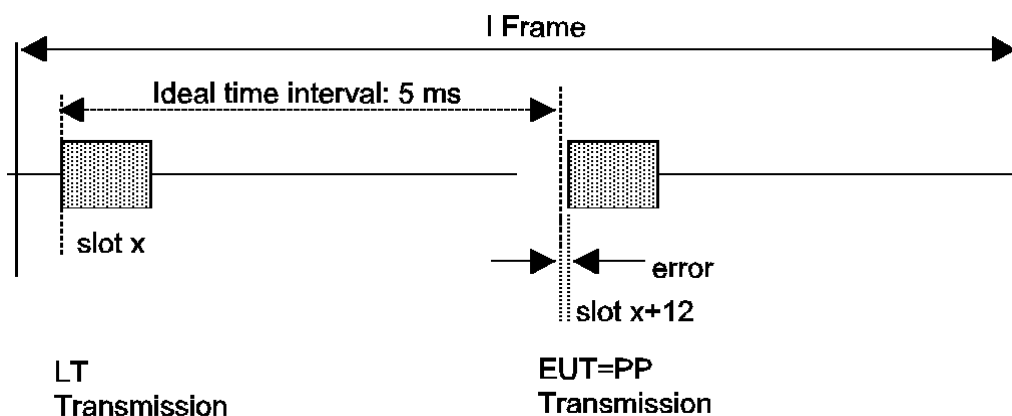


Figure 28

8.5.3 Verdict criteria

The packet timing delay minimum, as measured, shall be greater than $5 \text{ ms} - 2 \mu\text{s}$, the maximum, as measured, shall be less than $5 \text{ ms} + 2 \mu\text{s}$.

9 Transmission burst

The requirements are given in clause 5.2 of EN 300 175-2 [2].

9.1 Definitions

9.1.1 Physical packets

The term "physical packet" used in the present document refers to all the bits transmitted by the DECT REP in one slot time. The timing of the physical packet relative to the power-time template shall be conditioned by the absolute packet timing measurement uncertainty in clause 5.8.5.

9.1.2 Transmitted power

This is the mean power delivered over one radio frequency cycle.

9.1.3 Normal Transmitted Power (NTP)

The NTP is the transmitted power averaged from the start of bit p0 of the physical packet to the end of the physical packet.

9.1.4 Transmitter attack time

This is the time taken for the transmitted power to increase from 25 μ W to the time that the first bit of the physical packet, p0, starts transmission.

The transmitter attack time shall be less than 10 μ s.

9.1.5 Transmitter release time

This is the time, taken from the end of the physical packet, for the transmitted power to decrease to 25 μ W.

The transmitter release time shall be less than 10 μ s.

9.1.6 Minimum power

From the first bit of the packet, p0, to the end of the physical packet, the transmitted power as measured shall be greater than (NTP - 1 dB).

9.1.7 Maximum power

From 10 μ s after the start of bit p0 to 10 μ s after the end of the physical packet the transmitted power as measured shall be less than (NTP + 1 dB).

From 10 μ s before the start of bit p0 to 10 μ s after the start of bit p0 the transmitted power as measured shall be less than (NTP + 4 dB), and shall be less than 315 mW plus the maximum allowed measurement uncertainty as described in clause 5.8.5.

9.1.8 Maintenance of transmission after packet end

The transmitted power as measured shall be maintained greater than (NTP-6 dB) for 0,5 μ s after the end of the physical packet.

9.1.9 Transmitter idle power output

For the time period starting 27 μ s after the end of the physical packet, and finishing 27 μ s before the next transmission of data bit p0, the transmitter idle power shall be less than 20 nW plus the maximum allowed measurement uncertainty as described in clause 5.8.5. This requirement shall apply except when p0 of the next transmitted packet occurs less than 54 μ s after the end of the transmitted physical packet.

9.2 Test environment

If the EUT has an antenna connector then it shall be used to connect the EUT to the LT.

The test shall take place under nominal and extreme temperature conditions at the nominal supply voltage.

This test shall take place either at a test site, in an anechoic chamber, or in a test fixture for the nominal temperature condition. The extreme temperature testing shall take place inside a temperature chamber with the EUT mounted in a test fixture.

9.3 Method of measurement

- a) The LT shall place the EUT in a mode whereby the EUT is transmitting at a LT specified slot and RF channel $c = 5$. If so equipped, the handover function in the EUT shall be disabled (see clause 5.9.3 for the appropriate test message reference).
- b) Using a sampling measurement method, capture a representation of the EUT's transmit burst's amplitude and modulation. The measurement bandwidth for RF power shall be 1 MHz for the measurement of transmitter idle power (see clause 9.1.9) and ≥ 3 MHz for all other.
- c) From the array of samples the LT shall calculate the position of bit p0 and the end of the physical packet in each sample to an accuracy of 0,1 μ s.
- d) Steps b) and c) are repeated 60 times with intervals of 1 s or longer.
- e) Steps a) to d) shall be repeated for RF channels $c = 0$ and 9.

9.4 Verdict criteria

The array of power samples shall be compared for a fit within the power-time template as shown in figure 29 and shall comply with the requirements in clauses 9.1.4, 9.1.5, 9.1.6, 9.1.7, 9.1.8 and 9.1.9.

The sampled bursts, as measured, shall conform to the power-time template.

NOTE: As described in clause 9.1.9, the 20 nW power envelope shown in figure 29 is only applicable when the time between the end of a physical packet and the transmission of p0 of the next physical packet is greater than 54 μ s.

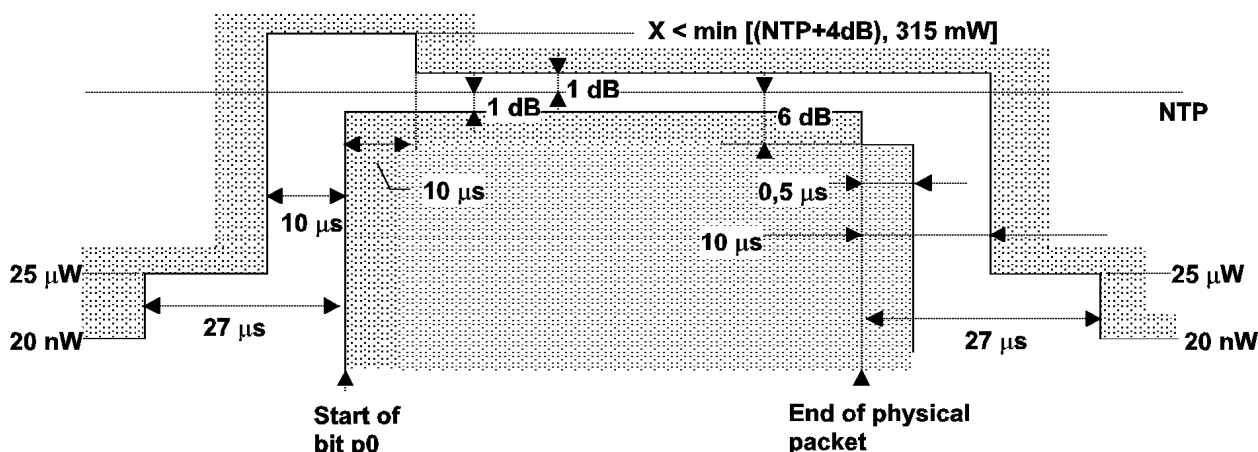


Figure 29: Power-time template

For packets with prolonged preamble, the verdict criteria apply with the notation p0 generally changed to p-16 and the applicant shall declare that the procedure defined in EN 300 175-2 [2], clause D.3 has been implemented.

10 Transmitted power

The requirements are given in EN 300 175-2 [2], clause 5.3.

10.1 Definitions

10.1.1 PP and RFP with an integral antenna

The NTP shall be less than P_{NTP} per simultaneously active transceiver at nominal conditions.

The transmitter power P_{NTP} is defined in clause 5.3 of EN 300 175-2 [2].

10.1.2 PP and RFP with external connections for all antennas

For a radio end point with more than one antenna port, the instantaneous power from each antenna port shall be added together to give the NTP.

The NTP shall be less than P_{NTP} per simultaneously active transceiver.

The maximum transmitter power P_{NTP} shall be no higher than 250 mW.

10.1.3 PP and RFP with both integral and external antennas

If the integral and external antennas are not transmitting simultaneously then the test cases described in clauses 10.2 and 10.3 shall be applied independently. The appropriate antenna is selected using the test message referenced in clause 5.9.3.

If the integral and external antennas are transmitting simultaneously then both clauses 10.2 and 10.3 shall be applied and the results shall be added to give the NTP.

10.2 PP and RFP with an integral antenna

10.2.1 Test environment

The test shall take place under nominal temperature conditions and at a nominal supply voltage.

This test shall take place either at a test site or in an anechoic chamber for the nominal temperature condition.

10.2.2 Method of measurement

The test consists of both a conducted and a radiated power measurement. For the conducted power measurement, the EUT shall be equipped with a temporary antenna connector. The radiated measurement is performed on a EUT with its own integral antenna.

10.2.2.1 Measurement of NTP

The test described in clause 10.3.2 shall be performed on the EUT with the temporary connector.

The measured result is the NTP.

10.2.2.2 Measurement of antenna gain

The following measurement is done on the EUT with its own integral antenna:

- a) if the EUT incorporates antenna diversity, then the LT shall command the EUT to operate on a single antenna (see clause 5.9.3 for the appropriate test message reference);
- b) the LT shall place the EUT in a mode whereby the EUT is positioned in a LT specified slot and frequency. If so equipped, the handover function in the EUT shall be disabled (see clause 5.9.3 for the appropriate test message reference);
- c) a test antenna with a good directivity to limit reflections is connected to a calibrated receiver. The applicant shall indicate the polarization of the integral antenna so that the test antenna can be set to the same polarization as the integral antenna of the EUT throughout this test. The test antenna shall be raised or lowered until a maximum received signal is obtained, except when using a fully anechoic chamber.

The EUT shall be orientated in the reference position using the procedure described in clause 5.11.3;

- d) at this position, the LT shall:
 - 1) use the sampling method described in clause 5.11.2.2 to capture a representation of a physical packet transmitted by the EUT;
 - 2) determine the position of p₀ in the physical packet and the end of the physical packet;
 - 3) make a measurement of the received power over the 1 MHz bandwidth centred on the DECT RF channel. This power shall be averaged from the start of bit p₀ to the end of the physical packet. This measurement shall be called P_R;
- e) the substitution antenna shall replace the EUT's transmitter antenna in the same position and polarization. The frequency of the signal generator shall be adjusted to the EUT's nominal channel frequency on which it was transmitting. The test antenna shall be raised or lowered as necessary to ensure that the maximum signal level is received, except when using a fully anechoic chamber. The input signal level to the substitution antenna shall be adjusted until an equal or a known related level to P_R is obtained in the test receiver.

PT is equal to the power supplied by the signal generator, increased by the known related level if necessary and after corrections due to the gain of the substitution antenna and the cable loss between the signal generator and the substitution antenna;

- f) the antenna gain is the ratio (in dB) between the radiated power PT and the NTP;
- g) steps b) to f) shall be performed for RF channels c = 0, 5, and 9.

10.2.3 Verdict criteria for all EUTs

The NTP per simultaneously active transceiver, as measured, shall be less than P_{NTP} plus the maximum allowable measurement uncertainty for absolute RF power (via an antenna connector) as given in clause 5.8.5.

The antenna gain as measured shall be less than 12 dB plus the ratio (in dB) between P_{NTP} (250 mW) and NTP plus the maximum allowable measurement uncertainty for absolute RF power (radiated) as given in clause 5.8.5.

10.3 PP and RFP with external antenna connection(s)

10.3.1 Test environment

The test shall take place under extreme temperature conditions and at a nominal supply voltage.

This test shall take place either at a test site or in an anechoic chamber for the nominal temperature condition. The extreme temperature testing shall take place inside a temperature chamber.

The EUT shall be connected to the LT via the antenna connector(s).

10.3.2 Method of measurement

- a) If the EUT incorporates antenna diversity, then the LT shall command the EUT to operate on a single external antenna (see clause 5.9.3 for the appropriate test message reference).
- b) The LT shall place the EUT in a mode whereby the EUT is positioned in a LT specified slot and frequency. If so equipped, the handover function in the EUT shall be disabled (see clause 5.9.3 for the appropriate test message reference).
- c) A test load shall be connected to each antenna connector.
- d) The LT shall:
 - 1) use the sampling method described in clause 5.11.2.2 to capture a representation of a physical packet transmitted by one of the antenna connectors of the EUT into the test load;
 - 2) determine the position of p0 in the physical packet and the end of the physical packet;
 - 3) make a measurement of the power over the 1 MHz bandwidth centred on the DECT RF channel. This power shall be the power delivered to each load simultaneously, averaging from the start of bit p0 of the physical packet, to the end of the physical packet that was sampled in 1).
- e) Steps b) to d) shall be performed for RF channels $c = 0, 5,$ and 9 .

When there is more than one antenna port, the instantaneous power from each antenna port shall be added together. The sum shall be called the NTP.

10.3.3 Verdict criteria for all EUTs

The NTP per simultaneously active transceiver, as measured, shall be less than P_{NTP} plus the maximum allowable measurement uncertainty as given in clause 5.8.5.

11 RF carrier modulation

The requirements are given in EN 300 175-2 [2], clause 5.4.

11.1 Test environment

The test should preferably take place at a test site, otherwise a test fixture or temporary connector shall be used.

If the EUT has an antenna connector then it shall be used to connect the EUT to the LT.

The test shall take place under nominal supply voltage conditions and at a nominal temperature.

11.2 Method of measurement, parts 1 and 2

The measurement period of a single positive or negative deviation measurement shall begin one bit time after a 0 to 1 or a 1 to 0 transition in the test data pattern. The measurement period shall end one bit time before the next 0 to 1 or 1 to 0 transition.

11.2.1 Part 1

- a) Repeat parts a) to d) of clause 7.3.
- b) Using the samples that were obtained from a), the LT shall calculate the peak frequency deviation within each bit period defined in clause 11.2 in the loopback field of the transmit burst of the EUT, relative to the measured carrier frequency that was calculated in clause 7. The measurement bandwidth shall be ≥ 3 MHz.
- c) Steps a) to b) shall be repeated until the number of measurements in table 5A have been made.

Table 5A

Equipment type	Number of measurements
A-field only transmit	100
Half-slot transmit	40
Full-slot transmit	10
Variable length slot with $j = 640$ transmit	5
Double-slot transmit	5

11.2.2 Part 2

- a) Steps a) to d) of clause 7.3 shall then be repeated using the appropriate sequence listed in table 5B.

Table 5B

Equipment type	Test pattern
A-field only transmit	Figure 30
Half-slot transmit	Figure 31
Full-slot transmit	Figure 32
Variable length slot with $j = 640$ transmit	Figure 32a
Double-slot	Figure 33

- b) Using the samples that were obtained from part (a) above, the LT shall calculate the peak frequency deviation within each bit period defined in clause 11.2 in the loopback field of the transmit burst of the EUT, relative to the measured carrier frequency that was calculated in clause 7. The measurement bandwidth shall be ≥ 3 MHz.

- c) Steps a) to b) shall be repeated until the number of measurements in table 5C have been made.

Table 5C

Equipment type	Number of measurements
A-field only transmit	100
Half-slot transmit	40
Full-slot transmit	10
Variable length slot with $j = 640$ transmit	5
Double-slot transmit	5

11.3 Method of measurement, parts 3 and 4

The measurement period for the deviation measurement shall begin one bit time after the first 0 to 1 or 1 to 0 transition. The measurement period shall end one bit time before the last 0 to 1 or 1 to 0 transition.

11.3.1 Part 3

- a) Steps a) to d) of clause 7.3 shall be repeated with the sequence "0101 0101 0101 0101".
- b) Using the samples that were obtained from part a) above, the LT shall calculate the peak frequency deviation within each bit period in the first 16 bits of the synchronization field (preamble) and the loopback field of the transmit burst of the EUT, relative to the measured carrier frequency that was calculated in clause 7. The measurement bandwidth shall be ≥ 3 MHz.
- c) Steps a) to b) shall be repeated until the number of measurements in table 5D have been made.

Table 5D

Equipment type	Number of measurements
A-field only transmit	100
Half-slot transmit	40
Full-slot transmit	10
Variable length slot with $j = 640$ transmit	5
Double-slot transmit	5

11.3.2 Part 4

- a) The LT shall place the EUT in a mode whereby the EUT is positioned in a LT specified slot and frequency. If so equipped, the handover function in the EUT shall be disabled (see clause 5.9.3 for the appropriate test message reference).
- b) The EUT shall be placed in a test mode whereby it performs the loopback function as referenced in clause 5.9.3.
- c) The LT shall transmit a packet with a test sequence in the loopback field of the packet. This test sequence shall be such that the sequence 0101 0101 0101 0101 etc. is transmitted at the antenna of the EUT in the loopback field of the reply packet.
- d) Using the sampling method described in clause 5.11.2.2 capture a representation of the EUT's transmitted RF signal after allowing the EUT to be in an Active-locked state (see EN 300 175-3 [3]) for more than 1 s. The measurement bandwidth shall be ≥ 3 MHz.
- e) Using the samples that were obtained from d) above, the LT shall calculate the average frequency of the last 14 bits of the first 16 bits of the synchronization field.
- f) Using the samples that were obtained from d) above, the LT shall calculate the average frequency of the first 14 bits of the last 16 bits of the loopback field.

- g) Steps c) to f) shall be repeated until 200 measurements have been made. The frequency drift is the difference between the mean of the measurements taken in e) and the mean of the measurements taken in f).

11.4 Verdict criteria for part 1

The peak frequency deviation as measured in part 1 shall be greater than ± 259 kHz and less than ± 403 kHz.

11.5 Verdict criteria for part 2

The peak frequency deviation as measured in part 2 shall be greater than ± 202 kHz and less than ± 403 kHz.

11.6 Verdict criteria for part 3

The peak frequency deviation as measured in part 3 shall be greater than ± 202 kHz and less than ± 403 kHz.

11.7 Verdict criteria for part 4

The rate of change as measured in part 4 shall not be greater than 15 kHz per slot plus the maximum measurement uncertainty calculated from the allowable uncertainty in the relative drift radio frequency measurements involved (see clause 5.8.5). This implies that the drift in slot shall be between -17 kHz per slot and +17 kHz per slot, as measured.

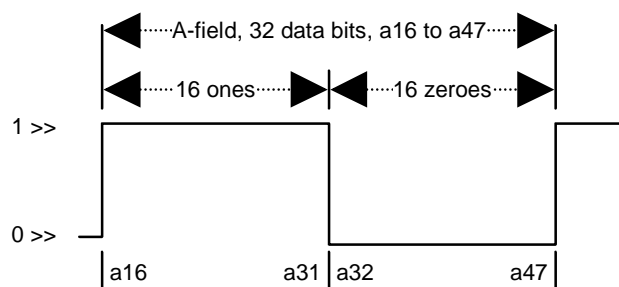
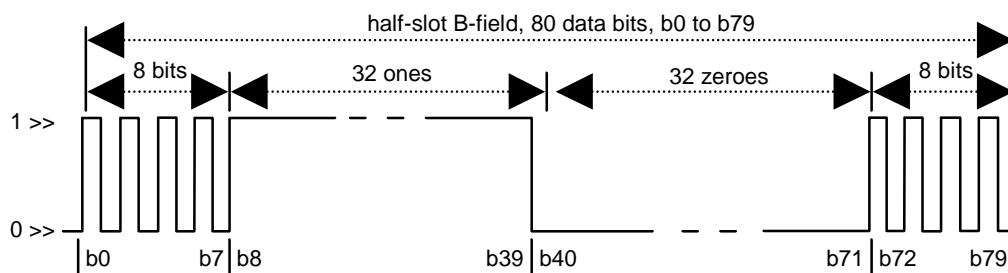
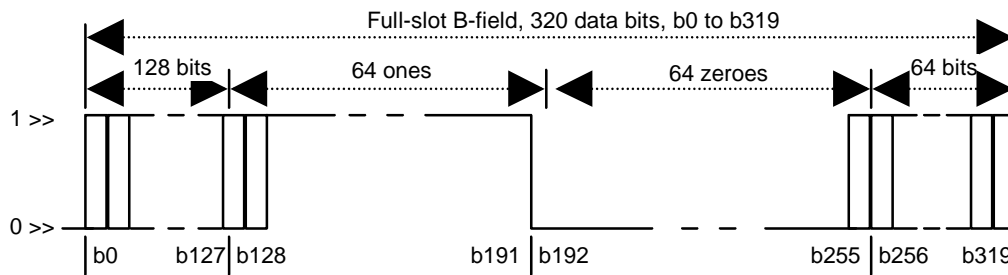


Figure 30: Test packet structure for case 2, A-field



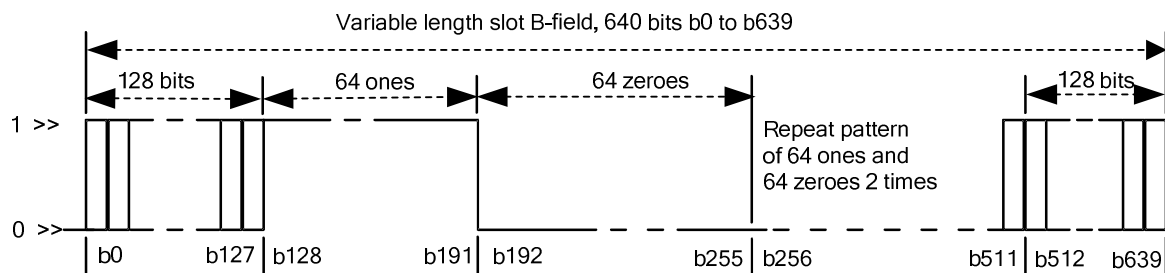
NOTE: Bits b_0 to b_7 and b_{72} to b_{79} are alternating 1s and 0s with the even order bits (b_0, b_2, b_4 , etc.) set to "1" and the odd-order bits (b_1, b_3, b_5 , etc.) set to "0".

Figure 31: Test packet structure for case 2, half-slot



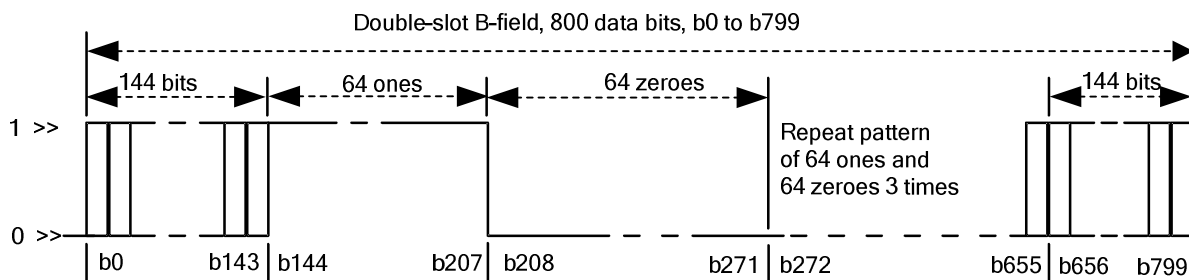
NOTE: Bits b_0 to b_{127} and b_{256} to b_{319} are alternating 1s and 0s.

Figure 32: Test packet transmission for case 2, full-slot



NOTE: Bits b_0 to b_{127} and b_{512} to b_{639} are alternating 1s and 0s.

Figure 32a: Test packet transmission for case 2, variable length slot with $j = 640$



NOTE: Bits b_0 to b_{143} and b_{656} to b_{799} are alternating 1s and 0s.

Figure 33: Test packet transmission for case 2, double-slot

NOTE: The above fields, (A-field for figure 30, half-slot for figure 31, full-slot for figure 32, variable length slot with $j = 640$ for figure 32a, and double-slot for figure 33) are defined in EN 300 175-3 [3]. The X-field portions of the half-slot, full-slot, variable length slot and double-slot B-fields depicted in figures 31, 32, 32a and 33 are not shown.

12 Unwanted RF power radiation

12.1 General test conditions

If the EUT is equipped with antenna diversity, the EUT shall have the diversity operation defeated for the following tests, (see clause 5.9.3 for the appropriate test message reference).

12.2 Emissions due to modulation

The requirements are given in EN 300 175-2 [2], clause 5.5.1.

12.2.1 Definition

The unwanted emission(s) due to modulation is the power measured in any DECT RF channel other than the one in which the EUT is transmitting, integrated over a bandwidth of 1 MHz.

12.2.2 Test environment

The test shall take place at a test site or using a test fixture for equipment with integral antenna.

The test shall take place under nominal supply voltage conditions and at a nominal temperature.

12.2.3 Method of measurement

- a) If the EUT has an external antenna connector then this shall be used to connect the EUT to the LT. Otherwise, the transmitted signal shall be applied to the LT via a coupling device which provides the appropriate signal level to the system. The analysing system in the LT shall be operated under the following conditions:
- frequency sweep: 1 MHz;
 - resolution bandwidth: 100 kHz;
 - video bandwidth: greater than resolution bandwidth;
 - integration: across the frequency sweep;
 - peak hold: on;
 - sweep time: greater than 12 seconds;
 - filtering type: synchronously tuned.

The centre frequencies of the DECT RF channels are defined in clause 7.1.

The total sample time used for measurement is 60 % to 80 % of the duration of the physical packet, starting before 25 % of the slot time has expired but after the transmission of the synchronization word. The LT shall determine the start of the physical packet (bit p0) transmitted by the EUT.

- b) The LT shall place the EUT in a mode whereby the EUT is positioned in a LT specified slot and frequency. If so equipped, the handover function in the EUT shall be disabled. See clause 5.9.3 for the appropriate test message reference.
- c) The EUT shall be placed in a test mode whereby it performs the loopback function as referenced in clause 5.9.3.
- d) A test modulation signal D-M2 (see clause 5.8.4.4) is generated by the LT.
- e) Using the analysing system, a measurement of the EUT's transmitted power on channel M is made during the sampling time. This power measurement shall be called P_{ref} .

NOTE: This measurement becomes the reference power for the power measurements of the other channels.

- f) Using the method described in e), a measurement on all the other DECT channels shall be made and recorded in dB as a value relative to P_{ref} . These shall be called P_{rm-2} , P_{rm-1} , P_{rm+1} , P_{rm+2} , etc., corresponding to the measurements made on channels $Y = M - 2$, $Y = M - 1$, $Y = M + 1$ and $Y = M + 2$.
- g) Using the measured value of transmitted power, NTP, from clause 10 for channel $Y = M$, the LT shall calculate the power emissions on each channel.

EXAMPLE: Emissions on channel $Y = M + 1$:

$$= NTP(\text{dBm}) + P_{rm+1}(\text{dB}). \quad (2)$$

- h) The value calculated in g) shall be converted from dBm to Watts.

- i) Steps b) through h) shall be performed with the EUT's transmitter placed on DECT RF channels $c = 0, 5$ and 9 .

12.2.4 Verdict criteria

The unwanted emissions, as measured, shall not be greater than the power levels stated in table 6.

Table 6

Emissions on RF Channel "Y"	Maximum Power Level
$Y = M \pm 1$	160 μ W
$Y = M \pm 2$	1 μ W
$Y = M \pm 3$	80 nW
Y = any other DECT channel	40 nW

For Y = "any other DECT channel", the maximum power level shall be less than 40 nW except for one instance per M of a 500 nW signal.

"M" is the EUT transmit channel and "Y" is a legal DECT channel other than the EUT transmit channel.

12.3 Emissions due to transmitter transients

The requirements are given in EN 300 175-2 [2], clause 5.5.2.

12.3.1 Definition

The power level of all modulation products (including AM components due to the switching on or off of the modulated RF carrier) in a DECT RF channel as a result of a transmission on another DECT RF channel.

12.3.2 Test environment

The test shall take place at a test site or using a test fixture for equipment with integral antenna.

The test shall take place under nominal supply voltage conditions and at a nominal temperature.

12.3.3 Method of measurement

- a) If the EUT has an external antenna connector then this shall be used to connect the EUT to the LT. Otherwise, the transmitted signal shall be applied to the LT via a coupling device which provides the appropriate signal level to the system. The analysing system in the LT shall be operated under the following conditions:
- frequency sweep: 1 MHz;
 - resolution bandwidth: 100 kHz;
 - video bandwidth: greater than resolution bandwidth;
 - averaging: none;
 - peak hold: on;
 - filtering type: 4 or 5 pole synchronously tuned.

The centre frequencies of the DECT RF channels are defined in clause 7.1.

- b) The LT shall place the EUT in a mode whereby the EUT is positioned in a LT specified slot and frequency. If so equipped, the handover function in the EUT shall be disabled (see clause 5.9.3 for the appropriate test message reference).

- c) The EUT shall be placed in a test mode whereby it performs the loopback function as referenced in clause 5.9.3. When testing a RFP, the test shall be performed either with the dummy bearer switched off when the traffic bearer is active, or with the dummy bearer placed on the same RF carrier as the traffic bearer as referenced in clause 5.9.4.
- d) A test modulation signal D-M2 (see clause 5.8.4.4) generated by the LT.
- e) The analysing system centre frequency is positioned at the centre of the DECT RF channel being measured.
- f) The analysing system shall initiate a power measurement procedure conforming to the limits specified in clause 5.8.5.
- g) Using the measured values obtained from e) to f), the LT shall select the highest recorded value within the sweep. This value shall be compared with the verdict criteria.
- h) Steps e) to g) are repeated for all DECT RF channels other than the one on which the EUT is transmitting.
- i) Steps b) to h) shall then be repeated until measurements have been made with the EUT's transmitter placed on all 10 DECT RF channels.

12.3.4 Verdict criteria

The unwanted emissions, as measured, shall not be greater than the power levels stated in table 7.

Table 7

Emissions on RF Channel "Y"	maximum peak power Level
$Y = M \pm 1$	250 μ W
$Y = M \pm 2$	40 μ W
$Y = M \pm 3$	4 μ W
Y = any other DECT channel	1 μ W

"M" is the EUT transmit channel and "Y" is a legal DECT channel other than the EUT transmit channel.

12.4 Emissions due to intermodulation

The requirements are given in EN 300 175-2 [2], clause 5.5.3.

12.4.1 Definition

The power level of intermodulation products that are on any DECT physical channel when any combination of the transmitters at a radio FP or portable part are in calls on the same slot on different frequencies.

12.4.2 Test environment

If the EUT is a PP equipped with an integral antenna, the EUT and the test antenna shall be mounted in the reference test arrangement as specified in clause 5.13.1.

If the EUT is a RFP with an integral antenna, the EUT and the test antenna shall be mounted in the reference testing arrangement as specified in clause 5.13.2.

If the EUT has an external antenna connector then this test shall preferably take place at a test site, otherwise a test fixture may be used.

The test shall take place under nominal supply voltage conditions and at a nominal temperature.

12.4.3 Method of measurement

- a) If the EUT has an external antenna connector then this shall be used to connect the EUT to the LT. Otherwise, the transmitted signal shall be applied to the LT via a coupling device which provides the appropriate signal level to the system. The analysing system in the LT shall be operated under the following conditions:
- frequency sweep: 1 MHz;
 - resolution bandwidth: 100 kHz;
 - video bandwidth: greater than resolution bandwidth;
 - integration: across the frequency sweep;
 - peak hold: on;
 - sweep time: greater than 12 seconds;
 - filtering type: synchronously tuned.

The centre frequencies of the DECT RF channels are defined in clause 7.1.

The total sample time used for measurement is 60 % to 80 % of the duration of the physical packet, starting before 25 % of the slot time has expired but after the transmission of the synchronization word. The LT shall determine the start of the physical packet (bit p0) transmitted by the EUT.

- b) The EUT shall be placed in a mode whereby two of the transceivers shall be made to operate on the same slot in the frame but on different DECT RF channels. The RF channels shall be $c = 0$ and $c = 9$. If so equipped, the handover function in the EUT shall be disabled (see clause 5.9.3 for the appropriate test message reference).
- c) The EUT shall be placed in a test mode whereby it performs the loopback function for both transceivers as referenced in clause 5.9.3.
- d) A test modulation signal D-M2 (see clause 5.8.4.4) is generated by the LT.
- e) Using the analysing system, a measurement of the transmitted powers on channels $M = 0$ and $M = 9$ shall be made during the sample time for a transmitter in the EUT. These measurements shall be called $P_{\text{ref}0}$ and $P_{\text{ref}9}$.
- f) The EUT shall be placed in a mode whereby two of the transmitters shall be made to operate on the same slot in the frame but on different DECT RF channels. The RF channels shall be $M = 3$ and $M = 6$. If so equipped, the handover function in the EUT shall be disabled (see clause 5.9.3 for the appropriate test message reference).
- g) Using the analysing system, a measurement of the power levels on channels $c = 0$ and $c = 9$ shall be made during the sample time for a transmitter in the EUT. These power measurements shall be called $P_{\text{m}0}$ and $P_{\text{m}9}$.
- h) Using the NTPs for $c = 0$ and $c = 9$ (as defined in clause 10), the LT shall calculate the power emissions on channels $c = 0$ and $c = 9$. The calculation shall be performed as follows:
- 1) emissions on channel 0:

$$= \text{NTP}_0(\text{dBm}) - P_{\text{ref}0}(\text{dBm}) + P_{\text{m}0}(\text{dBm}); \quad (3)$$
 - 2) emissions on channel 9:

$$= \text{NTP}_9(\text{dBm}) - P_{\text{ref}9}(\text{dBm}) + P_{\text{m}9}(\text{dBm}). \quad (4)$$
- i) Steps b) to h) shall be repeated until measurements have been made with all combinations of the EUT's transmitters.

12.4.4 Verdict criteria

The unwanted emissions due to intermodulation as measured shall not be greater than 1 μW in the measurement channels.

12.5 Spurious emissions when allocated a transmit channel

The requirements are given in EN 300 175-2 [2], clause 5.5.4.

12.5.1 Definition

The peak power level of any RF emissions outside the radio frequency band allocated to DECT when a radio endpoint has been allocated a transmit channel. If a REP has more than one transceiver, any out of band transmitter intermodulation products shall also be included.

12.5.2 Radiated emissions

12.5.2.1 Test environment

The test shall take place at a test site.

For EUTs with external antenna connectors, test loads shall be attached to each connector.

The test shall take place under nominal supply voltage conditions and at a nominal temperature.

12.5.2.2 Method of measurement

a) The analysing system in the LT shall be operated under the following conditions:

- frequency sweep: as required for frequency range;
- resolution bandwidth: refer to table 8;
- display bandwidth: greater than resolution bandwidth;
- averaging: refer to table 8;
- peak hold: refer to table 8;
- filtering type: synchronously tuned.

The sweep time shall be chosen to be slow enough to ensure that the LT is capable of capturing at least one burst spurious signal for every measurement point.

NOTE 1: This may be achieved by using the following formula:

$$\text{sweep time} > \frac{2 \times (\text{PRI} \times \text{frequency span})}{\text{resolution bandwidth}} \quad (5)$$

where PRI = pulse repetition interval = 10 ms.

NOTE 2: The highest frequency of measurement should not exceed 12,75 GHz for radiated measurements.

Measurements shall not be made for transmissions on the RF channel closest to the nearest band edge for frequency offsets of up to 2 MHz.

The centre frequencies of the DECT RF channels are defined in clause 7.1.

- b) The LT shall place the EUT in a mode whereby the EUT is positioned in a LT specified slot and frequency. If so equipped, the handover function in the EUT shall be disabled (see clause 5.9.3 for the appropriate test message reference).
- c) The EUT shall be placed in a test mode whereby it performs the loopback function as referenced in clause 5.9.3. When testing a RFP, the test shall be performed either with the dummy bearer switched off when the traffic bearer is active, or with the dummy bearer placed on the same RF carrier as the traffic bearer as referenced in clause 5.9.4.
- d) A test modulation signal D-M2 (see clause 5.8.4.4) is generated by the LT.

- e) The LT shall initiate a power measurement procedure conforming to the limits specified in clause 5.8.5 using the methods described in annex B.
- f) The test shall be carried out over the RF ranges from 30 MHz to 12,75 GHz and the power measurements shall be performed using the resolution bandwidth as indicated in table 8.

Table 8

Frequency offset from edge of band: f	Resolution Bandwidth	Peak Hold	Averaging
$f < 5$ MHz	30 kHz	on	none
$5 \text{ MHz} \leq f < 10$ MHz	100 kHz	on	none
$10 \text{ MHz} \leq f < 20$ MHz	300 kHz	on	none
$20 \text{ MHz} \leq f < 30$ MHz	1 MHz	on	none
$f \geq 30$ MHz	3 MHz	on	none

12.5.2.3 Verdict criteria

The spurious emissions, as measured, shall not be greater than 250 nW at frequencies below 1 GHz and 1 μ W at frequencies above 1 GHz.

In addition, not regarding up to 2 instances of a continuous-wave spurious signal for PPs for which the total peak power level shall be less than 250 nW as measured in a 3 MHz measurement bandwidth, the peak power level shall be less than 20 nW in a 100 kHz measuring bandwidth for the following broadcast bands:

- 47 MHz to 74 MHz;
- 87,5 MHz to 108 MHz;
- 108 MHz to 118 MHz;
- 174 MHz to 230 MHz;
- 470 MHz to 862 MHz.

12.5.3 Conducted spurious emissions when the EUT has a permanent external antenna connector

12.5.3.1 Test environment

The test shall take place under nominal supply voltage conditions and at a nominal temperature.

12.5.3.2 Method of measurement

- a) The EUT shall be connected to the LT via the permanent external antenna connector.
- b) The tests a) to f) in clause 12.5.2.2, except test e), shall be carried out by using the methods described in annex C (conducted spurious emissions). The power measurements shall be performed using the resolution bandwidth as indicated in table 9.

Table 9

Frequency offset from edge of band: f	Resolution Bandwidth	Peak Hold	Averaging
$f < 5$ MHz	30 kHz	on	none
$5 \text{ MHz} \leq f < 10$ MHz	100 kHz	on	none
$10 \text{ MHz} \leq f < 20$ MHz	300 kHz	on	none
$20 \text{ MHz} \leq f < 30$ MHz	1 MHz	on	none
$f \geq 30$ MHz	3 MHz	on	none

12.5.3.3 Verdict criteria

The spurious emissions, as measured, shall not be greater than 250 nW at frequencies below 1 GHz and 1 µW at frequencies above 1 GHz.

In addition, not regarding up to 2 instances of a continuous-wave spurious signal for PPs for which the total peak power level shall be less than 250 nW as measured in a 3 MHz measurement bandwidth, the peak power level shall be less than 20 nW in a 100 kHz measuring bandwidth for the following broadcast bands:

- 47 MHz to 74 MHz;
- 87,5 MHz to 108 MHz;
- 108 MHz to 118 MHz;
- 174 MHz to 230 MHz;
- 470 MHz to 862 MHz.

13 Radio receiver testing

13.1 Radio receiver sensitivity

The requirements are given in EN 300 175-2 [2], clause 6.2.

13.1.1 Definition

The radio receiver sensitivity is defined as the power level at the receiver input at which the Bit Error Ratio (BER) is 0,001. The radio receiver sensitivity shall be 60 dBµV/m (-83 dBm) or better.

13.1.2 Test environment

The test should preferably take place at a test site, otherwise a test fixture or temporary connector shall be used.

If the EUT has an antenna connector then it shall be used to connect the EUT to the LT.

The test shall take place under nominal supply voltage conditions and at a nominal temperature.

13.1.3 Method of measurement

- a) The EUT shall be oriented in the reference position as determined in clause 5.11.3 if no antenna connector is available.
- b) The LT shall be programmed to set its RF transmission to a power level such that 60 dBµV/m (-83 dBm) shall be present at the input of the EUT receiver.
- c) The LT shall place the EUT in a mode whereby the EUT is positioned in a LT specified slot and RF channel $c = 5$. If so equipped, the handover function in the EUT shall be disabled (see clause 5.9.3 for the appropriate test message reference).
- d) The EUT shall be placed in a test mode whereby it performs the loopback function as referenced in clause 5.9.3.
- e) A test modulation signal D-M2 (see clause 5.8.4.4) is generated by the LT.
- f) The LT shall calculate the BER of the EUT as determined in clause 5.11.4 and annexes E and F.
- g) The LT shall offset the frequency of the test signal by 50 kHz and repeat parts b) to f). This sequence of steps shall be repeated twice to include both positive and negative frequency offsets.

- h) Steps b) to f) shall be repeated for RF channels $c = 0$ and 9 .

13.1.4 Verdict criteria

The BER of the EUT, as measured, shall be less than or equal to 0,001 for the duration of this test.

13.2 Radio receiver reference BER and FER

The requirements are given in clause 6.3 of EN 300 175-2 [2].

13.2.1 Definition

The radio receiver reference BER and FER is the maximum allowed BER and FER for a power level at the receiver input of -73 dBm or greater (i.e. 70 dB μ V/m).

13.2.2 Test environment

The test shall take place at a test site or using a test fixture for equipment with integral antenna.

If the EUT has an antenna connector then it shall be used to connect the EUT to the LT.

The test shall take place under nominal supply voltage conditions and at a nominal temperature.

13.2.3 Method of measurement

- a) The EUT shall be oriented in the reference position as determined in clause 5.11.3 if no antenna connector is available.
- b) The LT shall be programmed to set its RF transmission to a power level of 70 dB μ V/m (-73 dBm) at the input of the EUT receiver.
- c) The LT shall place the EUT in a mode whereby the EUT is positioned in a LT specified slot and RF channel $c = 5$ with handover disabled (see clause 5.9.3 for the appropriate test message reference).
- d) The EUT shall be placed in a test mode whereby it performs the loopback function as referenced in clause 5.9.3.
- e) A test modulation signal D-M2 (see clause 5.8.4.4) is generated by the LT.
- f) The LT shall calculate the BER and FER of the EUT as determined in clause 5.11.4 and annexes E and F.
- g) Steps b) to f) shall be repeated for RF channels $c = 0$ and 9 .

13.2.4 Verdict criteria

The BER of the EUT, as measured, shall be 0,00001 or less. The FER of the EUT, as measured, shall be 0,0005 or less.

13.3 Radio receiver interference performance

The requirements are given in EN 300 175-2 [2], clause 6.4.

13.3.1 Definition

The ability of DECT equipment to continue receiving in the presence of an interfering signal on the same or different DECT RF channel.

13.3.2 Test environment

The test shall take place at a test site or using a test fixture for equipment with integral antenna.

If the EUT has an antenna connector then it shall be used to connect the EUT to the LT.

The test shall take place under nominal supply voltage conditions and at a nominal temperature.

13.3.3 Method of measurement

- a) The EUT shall be oriented in the reference position as determined in clause 5.11.3 if no antenna connector is available.
- b) The LT shall be programmed to set its RF transmission to a power level of 70 dB μ V/m (-73 dBm) at the input of the EUT receiver.
- c) The LT shall place the EUT in a mode whereby the EUT is positioned in a LT specified slot and RF channel $c = 5$. If so equipped, the handover function in the EUT shall be disabled (see clause 5.9.3 for the appropriate test message reference).
- d) The EUT shall be placed in a test mode whereby it performs the loopback function as referenced in clause 5.9.3.
- e) A test modulation signal D-M2 (see clause 5.8.4.4) is generated by the LT.
- f) The LT shall transmit in addition to the D-M2 data test pattern, a modulated DECT-like carrier (see clause 5.8.4.1) on channel "Y" whose level is determined by table 10.

Table 10

Interferer on RF Channel "Y"	Interferer signal strength	
	(dB μ V/m)	(dBm)
Y = M	59	-84
Y = M \pm 1	83	-60
Y = M \pm 2	104	-39
Y = any other DECT channel	110	-33

The RF carriers "Y" shall include the three nominal DECT RF carrier positions immediately outside each edge of the DECT band.

- g) The LT shall calculate the BER of the EUT as determined in clause 5.11.4 and annexes E and F.
- h) Steps b) to g) shall be repeated so that the single interfering DECT-like carrier has been placed on all the remaining DECT channels. Table 10 indicates the amplitude of the interferer.
- i) Steps b) to h) shall be repeated for RF channels $c = 0$ and 9.

13.3.4 Verdict criteria

The BER of the EUT, as measured, shall be 0,001 or less.

13.4 Radio receiver blocking case 1: owing to signals occurring at the same time but on other frequencies

The requirements are given in EN 300 175-2 [2], clause 6.5.1.

13.4.1 Definition

The receiver should work in the presence of strong signals on other frequencies. These interferers may be modulated carriers or single continuous-wave carriers.

13.4.2 Test environment

The test shall take place at a test site or using a test fixture for equipment with integral antenna.

If the EUT has an antenna connector then it shall be used to connect the EUT to the LT.

The test shall take place under nominal supply voltage conditions and at a nominal temperature.

13.4.3 Method of measurement

- The EUT shall be oriented in the reference position as determined in clause 5.11.3 if no antenna connector is available.
- The power level of the RF transmission from the LT shall be set to -80 dBm.
- The LT shall place the EUT in a mode whereby the EUT is positioned in a LT specified slot and frequency (F_c). The frequency chosen shall be RF channel $c = 5$ of the DECT RF channels. If so equipped, the handover function in the EUT shall be disabled (see clause 5.9.3 for the appropriate test message reference).
- The EUT shall be placed in a test mode whereby it performs the loopback function as referenced in clause 5.9.3.
- A test modulation signal D-M2 (see clause 5.8.4.4) is generated by the LT.
- The LT shall transmit in addition to the D-M2 signal a single continuous-wave interferer with an equivalent frequency change rate not exceeding the following in table 10A.

Table 10A

Equipment type	Frequency change rate
A-field only	1 MHz/s
Half-slot	2,5 MHz/s
Full-slot	10 MHz/s
Variable length slot with $j = 640$	20 MHz/s
Double-slot	20 MHz/s

The frequency (f) and levels are determined by table 11. If discrete frequency steps are used, the step shall not exceed 1 MHz.

The EUT shall operate on the declared frequency allocation with the low band edge F_L MHz and the high band edge F_U MHz.

Table 11

Frequency (f)	Continuous wave interferer level	
	For radiated measurements dB μ V/m	For conducted measurements dBm
$25 \text{ MHz} \leq f < F_L - 100 \text{ MHz}$	120	-23
$F_L - 100 \text{ MHz} \leq f < F_L - 5 \text{ MHz}$	110	-33
$ f - F_c > 6 \text{ MHz}$	100	-43
$F_U + 5 \text{ MHz} < f \leq F_U + 100 \text{ MHz}$	110	-33
$F_U + 100 \text{ MHz} < f \leq 12,75 \text{ GHz}$	120	-23

For the basic DECT frequency band allocation FL is 1 880 MHz and FU is 1 900 MHz. EUTs may support additional carriers, e.g. up to FU = 1 920 MHz.

- g) The LT shall for frequencies and conditions defined under part f) monitor bit errors with time intervals not exceeding 1 s.
- h) At frequencies where 1 or more errors are found, the LT shall calculate the BER of the EUT as determined in clause 5.11.4 and annexes E and F. If the measured BER exceeds 0,001 the frequency shall be recorded.
- i) For all frequencies recorded under h) the measurement and recording procedure shall be repeated, but with the interferer level decreased to 100 dB μ V/m for radiated measurements or -43 dBm for conducted measurements.
- j) For all frequencies recorded under i), the measurement and recording procedure shall be repeated, but with the interferer level decreased to 80 dB μ V/m for radiated measurements or -63 dBm for conducted measurements.

13.4.4 Verdict criteria

A spurious response frequency is defined as the nominal DECT carrier frequency F_g closest to a frequency recorded under part h).

NOTE: F_g is defined in EN 300 175-2 [2], clause 4.1.1 as the nominal DECT RF carrier whose centre frequency is generated by the formula:

$$F_g = F_0 - g \times 1\,728 \text{ kHz; where}$$

$$F_0 = 1\,897,344 \text{ MHz and } g \text{ is any integer.}$$

An occurrence is defined as a group of up to 3 spurious response frequencies with consecutive values of g . Two occurrences are defined as separate if between these occurrences there is at least one nominal DECT carrier frequency that is not a spurious response frequency.

Every recorded frequency is defined to be related to the closest spurious response frequency.

Every recorded frequency is defined to be related to the occurrence which contains the related spurious response frequency.

All frequencies recorded under h) shall only relate to a maximum of 8 separated occurrences.

All frequencies recorded under i) shall only relate to a maximum of 4 separated occurrences.

No frequency shall have been recorded under j).

13.5 Radio receiver blocking case 2: owing to signals occurring at a different time

The requirements are given in EN 300 175-2 [2], clause 6.5.2.

13.5.1 Definition

When a high level interferer is present in a physical channel other than the one the receiver is on, the receiver is able to continue receiving the desired signal.

13.5.2 Test environment

The test shall take place at a test site or using a test fixture for equipment with integral antenna.

If the EUT has an antenna connector then it shall be used to connect the EUT to the LT.

The test shall take place under nominal supply voltage conditions and at a nominal temperature.

13.5.3 Method of measurement

- a) The EUT shall be orientated in the reference position as determined in clause 5.11.3 if no antenna connector is available.
- b) The LT shall be programmed to set its RF transmission to a power level of 70 dB μ V/m (-73 dBm) at the input of the EUT receiver.
- c) The LT shall place the EUT in a mode whereby the EUT is positioned in RF channel $c = 5$ and slot-pair N (i.e. slot N and slot N + 12 with $N \geq 2$). If so equipped, the handover function in the EUT shall be disabled (see clause 5.9.3 for the appropriate test message reference).
- d) The EUT shall be placed in a test mode whereby it performs the loopback function as referenced in clause 5.9.3.
- e) A test modulation signal D-M2 (see clause 5.8.4.4) is generated by the LT.
- f) The LT shall transmit at the same time a DECT-like physical packet interferer at a level of -14 dBm (129 dB μ V/m) in slot N - 2 for measuring a PT and slot (N + 12) - 2 for measuring an FT (see clause 5.8.4.1 for a description of this interferer).

The power level of any emissions by the LT shall be less than -93 (50 dB μ V/m) dBm on slot N - 1 for measuring a PT and on slot (N + 12) - 1 for measuring an FT.
- g) The LT shall be programmed to set its RF transmission to a power level of 60 dB μ V/m (-83 dBm) at the input of the EUT receiver in slot N for measuring a PT and in slot N + 12 for measuring an FT.
- h) The LT shall calculate the BER of the EUT as determined in clause 5.11.4 and annexes E and F.
- i) Steps b) to h) shall be repeated with the EUT's receiver placed on RF channels $c = 0$ and 9.

13.5.4 Verdict criteria

The BER of the EUT as measured shall be 0,001 or less for the duration of this test.

13.6 Receiver intermodulation performance

The requirements are given in EN 300 175-2 [2], clause 6.6.

13.6.1 Definition

With a call setup on a particular physical channel, two interferers are introduced so that they can produce an intermodulation product on the physical channel already in use.

13.6.2 Test environment

The test should preferably take place at a test site, otherwise a test fixture shall be used.

If the EUT has an antenna connector then it shall be used to connect the EUT to the LT.

The test shall take place under nominal supply voltage conditions and at a nominal temperature.

13.6.3 Method of measurement

- a) The EUT shall be oriented in the reference position as determined in clause 5.11.3 if no antenna connector is available.
- b) The LT shall be programmed to set its RF transmission level to a power level of 63 dB μ V/m (-80 dBm) at the input of the EUT receiver.
- c) The EUT's RF channel is recorded as channel "M".

- d) The LT shall place the EUT in a mode whereby the EUT is positioned in a LT specified slot and frequency. If so equipped, the handover function in the EUT shall be disabled (see clause 5.9.3 for the appropriate test message reference).
- e) The EUT shall be placed in a test mode whereby it performs the loopback function as referenced in clause 5.9.3.
- f) A test modulation signal D-M2 (see clause 5.8.4.4) is generated by the LT.
- g) The LT shall then transmit in addition to the D-M2 test signal, a modulated DECT-like carrier "B" and a continuous-wave carrier "A" whose intermodulation product is present within the DECT channel "M" of the EUT. The level of these carriers shall be set to -48 dBm (95 dB μ V/m) at the receiver input of the EUT. The LT shall calculate the BER of the EUT as determined in clause 5.11.4 and annexes E and F. The measurement shall be performed 4 times with the interfering carriers and the EUT receive channel positioned on the DECT RF channels as given in table 12.

Table 12: RF carrier combinations

M	A	B
5	7	9
5	3	1
0	2	4
9	7	5

13.6.4 Verdict criteria

The BER of the EUT, as measured, shall be less than 0,001 for the duration of this test.

13.7 Spurious emissions when the PP has no allocated transmit channel

The requirements are given in EN 300 175-2 [2], clause 6.7.

13.7.1 Definition

The power level of any spurious emission when the PP has not been allocated a transmit channel.

13.7.2 Test environment

The test shall take place at a test site.

Connection between the EUT and the LT shall be made by means of a test antenna.

The test shall take place under nominal supply voltage conditions and at a nominal temperature.

13.7.3 Method of measurement

- a) The analyser controls shall be set to the following:
 - frequency span: as required for frequency range;
 - resolution bandwidth: 1 MHz (in DECT band) 100 kHz (outside DECT band);
 - video bandwidth: greater than resolution bandwidth;
 - averaging: none;
 - peak hold: on;
 - filtering type: synchronously tuned for measurements in the DECT band.

- b) The EUT shall be oriented in the reference position as determined in clause 5.11.3.
- c) The EUT shall be placed into a receive or idle mode for the duration of this test.
- d) The test shall be carried out across the RF range of 30 MHz to 4 GHz and the power measurements shall be performed using the resolution bandwidths as indicated in a).

13.7.4 Verdict criteria (outside the DECT band)

The EUT shall conform to the following limits:

- the emissions as measured shall not be greater than 2 nW between 30 MHz and 1 GHz; and
- between 1 GHz and 4 GHz, the emissions as measured shall not exceed 20 nW.

13.7.5 Verdict criteria (inside the DECT band)

The EUT shall conform to the following limits:

- the power level as measured of any spurious emissions shall not exceed 2 nW in a 1 MHz bandwidth.

The following exceptions are allowed:

- a) in one 1 MHz, the maximum allowable Effective Radiated Power (ERP) shall be 20 nW;
- b) in up to two bands of 30 kHz, the maximum ERP shall be less than 250 nW.

14 Intersystem synchronization (FP only)

The requirements are given in EN 300 175-2 [2], annex C.

14.1 Description

The (optional) intersystem synchronization allows adjacent DECT FPs to achieve frame synchronization.

Two classes of synchronization are specified:

- **Class 1:** guard band alignment, no handover between FPs;
- **Class 2:** guard band alignment, handover between FPs.

The requirements of handover result in different timing tolerances between the two classes.

The synchronization pulse is positive (true) logic. The voltage levels of the pulse corresponds to those defined in ITU-T Recommendation V.11 [11].

14.2 Test environment

The test shall take place at a test site or using a test fixture for equipment with integral antenna.

If the EUT has an antenna connector then it shall be used to connect the EUT to the LT.

The test shall take place under nominal supply voltage conditions and at a nominal temperature.

14.3 Wired synchronization ports

14.3.1 FP as a master

14.3.1.1 Method of measurement

The applicant shall declare to the testing laboratory the time required for system synchronization by the EUT:

- a) the EUT's synchronization port shall be connected to the LT's input port;
- b) a bearer shall be setup between the EUT and the LT;
- c) the LT shall:
 - 1) use the sampling method described in clause 5.11.2.2 to capture a representation of the physical packet transmitted by the EUT;
 - 2) determine the position of bit p0 in the physical packet. If the bearer is not in slot pair 0 and 12 of the DECT frame, the position of bit p0 in slot 0 shall be calculated;
 - 3) at the same time, sample the synchronization pulse coming out of the EUT. The frame number in which the pulse is sampled shall be recorded;
- d) step c) shall be repeated for 50 frames;
- e) the LT shall calculate the widths of the synchronization pulses. The calculated widths shall be recorded along with the frame numbers;
- f) the LT shall calculate the time delay, T_d , between the falling edge of each synchronization pulse to bit p0 of slot 0 (calculated or measured) to that pulse's sampled RF packet;
- g) the synchronization port of the EUT shall be tested as specified in ITU-T Recommendation V.11 [11], clauses 5.2.1, 5.2.2 and 5.3.

14.3.1.2 Verdict criteria

The time delay T_d , pulse widths, and output port characteristics shall meet the following limits:

- a) the width of the synchronization pulse as measured shall be between 2 and 5 ms for frame 0 and between 5 μ s and 1 ms for all other frames;
- b) T_d as measured shall be 15 μ s \pm 5 μ s for class 1 FPs;
- c) T_d as measured shall be 15 μ s \pm 2 μ s for class 2 FPs;
- d) the synchronization port characteristics as measured in g) shall not exceed the limits stated in ITU-T Recommendation V.11 [11], clauses 5.2.1, 5.2.2 and 5.3.

14.3.2 FP as a slave

14.3.2.1 Method of measurement

- a) The EUT's synchronization input port shall be connected to the LT's output port.
- b) A bearer shall be setup between the LT and the EUT.
- c) The LT shall:
 - 1) generate a synchronization pulse in conformance with the limits specified for master FPs in EN 300 175-2 [2], annex C;

- 2) use the sampling method described in clause 5.11.2.2 to capture a representation of the physical packet transmitted by the EUT;
 - 3) determine the position of bit p0 in the physical packet. If the bearer is not in slot pair 0 and 12 of the DECT frame, the position of bit p0 in slot 0 shall be calculated.
- d) c) shall be repeated for 50 frames.
- e) Void.
- f) The LT shall calculate the time delay, T_d , between the falling edge of each synchronization pulse it generated to bit p0 of slot 0 (calculated or measured) to that pulse's sampled RF packet.
- g) If the EUT is declared as being a class 2 FP, then the test laboratory shall verify that the time delay T_d can be set to 0 μ s, 15 μ s and 20 μ s. The method of adjustment and the resolution are applicant specific and shall be declared to the test laboratory.
- h) The input synchronization port of the EUT shall be tested as specified in ITU-T Recommendation V.11 [11], clauses 6.2, 6.3 and 6.4.

14.3.2.2 Verdict criteria

The time delay T_d as measured shall be within 15 μ s \pm 5 μ s for class 1 FPs; and within 15 μ s \pm 2 μ s for class 2 FPs.

The input port characteristics as measured shall not exceed the limits specified in ITU-T Recommendation V.11 [11], clauses 6.2, 6.3 and 6.4.

14.4 GPS synchronization

14.4.1 FP with integrated Global Positioning System (GPS) synchronization

14.4.1.1 Method of measurement

This test is applicable if the FP is declared by the applicant to have integrated GPS synchronization:

- a) a bearer shall be setup between the EUT and the LT;
- b) the LT shall:
 - 1) use the sampling method described in clause 5.11.2.2 to capture a representation of the physical packet transmitted by the EUT;
 - 2) determine the position of bit p0 in the physical packet. If the bearer is not in slot pair 0 and 12 of the DECT frame, the position of bit p0 in slot 0 shall be calculated. The frame number of the sampled packet shall be recorded;
 - 3) by means of its integrated GPS receiver generate a reference synchronization pulse. The falling edge of the frame 0 synchronization pulse shall coincide with $T_{GPS} \bmod 4 = 0$. (T_{GPS} is the GPS time);
- c) step b) shall be repeated 50 times;
- d) the LT shall calculate the time delay, T_d , between the falling edge of each reference synchronization pulse generated by the LT to bit p0 of slot 0 (calculated or measured) to that pulse's sampled RF packet.

14.4.1.2 Verdict criteria

The frame numbers and the time delay T_d shall meet the following limits.

The frame numbers shall conform to the GPS timing as described in clause 14.4.1.1 b) part 3).

- a) T_d as measured shall be $15 \mu\text{s} \pm 5 \mu\text{s}$ for class 1 FPs.
- b) T_d as measured shall be $15 \mu\text{s} \pm 2 \mu\text{s}$ for class 2 FPs.
- c) If the EUT at the same time is a master it shall also fulfil the requirements of clause 14.3.1.

14.4.2 External GPS synchronization device

14.4.2.1 Method of measurement

- a) The EUT's synchronization port shall be connected to the LT's input port.
- b) The LT shall by means of its integrated GPS receiver generate a reference synchronization pulse related to the GPS timing as described in clause 14.4.1.1 b) part 3).
- c) The LT shall measure the time difference T_e between the falling edge of the pulse generated by the EUT and the falling edge of the reference pulse generated by the LT.
- d) The lower tester shall measure the width of the synchronization pulse generated by the EUT and at the same time record whether the reference synchronization pulse was a frame 0 pulse or not.
- e) Steps c) to d) shall be repeated 50 times.
- f) The synchronization port of the EUT shall be tested as specified in ITU-T Recommendation V.11 [11], clauses 5.2.1, 5.2.2 and 5.3.

14.4.2.2 Verdict criteria

The timing accuracy T_e , pulse widths, and output port characteristics shall meet the following limits:

- a) the timing accuracy T_e , as measured, shall be within $\pm 5 \mu\text{s}$ for class 1 FPs;
- b) the timing accuracy T_e , as measured, shall be within $\pm 2 \mu\text{s}$ for class 2 FPs;
- c) the width of the synchronization pulse as measured shall be between 2 and 5 ms for frame 0 and between $5 \mu\text{s}$ and 1 ms for all other frames;
- d) the synchronization port characteristics as measured in f) shall not exceed the limits stated in ITU-T Recommendation V.11 [11], clauses 5.2.1, 5.2.2 and 5.3.

15 EMC

Technical requirements for EMC performance and testing of the equipment are covered by the relevant standards applicable to the EMC Directive, Council Directive 2004/108/EC [15].

16 Equipment identity testing

16.1 PP

This clause describes the protection requirements of the mandatory IPEI (International Portable Equipment Identity) equipment code. For information on the procurement and coding of the IPEI, refer to EN 300 175-6 [6].

The applicant shall declare that it is not possible for the user to alter the IPEI using any normally accessible procedure.

The applicant shall supply, in addition to the equipment, sufficient means in the equipment with instructions in the documentation to permit validation of the equipment manufacturer's code and verification of the existence of the Portable equipment Serial Number (PSN) code in the equipment.

16.2 FP

The applicant shall declare that:

- DECT FPs which do not transmit the TA escape message transmits the N_T message as defined in EN 300 175-3 [3] at least once every 10 seconds on all active physical channels;
- these N_T identity messages are transmitted with the appropriate A-field header code as defined in EN 300 175-3 [3] and the N_T message contains an ETSI distributed code as defined in EN 300 175-6 [6].

17 Efficient use of the radio spectrum

17.1 Channel selection

The applicant shall declare that he conforms to all obligatory conditions in EN 300 175-3 [3], clauses 11.4 and 11.6.

If the applicant also supports "no-emission" mode, in this mode the quick wakeup-selection according to EN 300 175-3 [3], clauses 9.4.3 and 9.4.4 shall be confirmed.

17.2 Channel confirmation

17.2.1 For the PT

The applicant shall declare that for the PT:

- the first PT transmission on the newly selected channel shall be made in accordance with the scan sequence of the addressed RFP;
- to continue transmitting on the newly selected physical channel the PT shall receive an indication that the FT is receiving the PT transmissions within 2 frames of the first PT transmission. For the "no-emission" mode wakeup requests, longer unconfirmed transmission intervals of more than N_{211} frames (see EN 300 175-3 [3], clause A.2) are allowed. See also EN 300 175-3 [3], clause 9.4.4.

17.2.2 For the FT

The applicant shall declare that for the FT:

- the RFP shall not transmit on more than 2 physical channels for which complementary physical channels do not exist;
- temporarily more than 2 dummy bearers may exist when an RFP has double dummies and dummy bearer hopping is enabled as defined in EN 300 175-3 [3];

NOTE: A complementary physical channel is a physical channel between the same two radio endpoints which occurs 5 ms before or after the physical channel to which it is complementary.

- the first transmission of an FT, which uses fast connection setup to address a specific PT, shall be made in accordance with the scan sequence of the addressed PT receiver;
- to continue transmitting on the selected physical channel the FT shall receive an indication that the PT is receiving the FT transmissions within 2 frames of the first FT transmission.

17.3 Channel release

The applicant shall declare that:

- a radio end point shall cease transmission of a bearer on a physical channel and release the bearer if it has not received the correct RFPI, with a correct CRC, on that bearer in the last 10 seconds;
- a radio end point which transmits on both the physical channel and complementary physical channel shall cease to transmit on the channels if either:
 - a) the receiving endpoint indicates to the transmitting endpoint that transmission shall cease on both these physical channels; or
 - b) the transmitting FT or PT is no longer attempting to receive at least one physical channel from the FT or PT to which it is transmitting.

17.4 General

For an FT or PT the applicant shall declare that:

- multibearer connections shall only exist in full slot and double slot transmission mode;
- the EUT is capable of communicating on all 10 DECT RF channels, $c < 10$, if this is allowed.

18 WRS testing

The WRS EUT shall be tested as described below.

A WRS requires to be synchronized to a dummy bearer to derive its reference timer for PT and FT transmissions.

18.1 Testing as a PP

The WRS shall operate as a PP in the test-stand-by mode, TSM, annex D, as a stand alone module.

In this mode it shall be tested as a normal PP with the exception that RFP class E2 test conditions, (see clause 6.3 of the present document), shall be used if it is intended for outdoor use, and that test case 19 is not applicable. See figure 34.

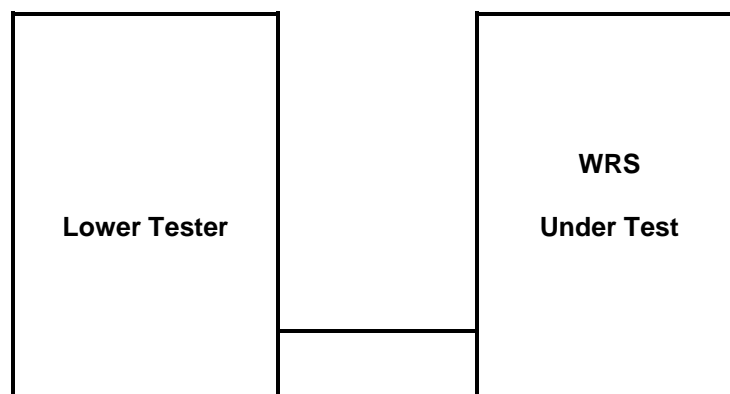


Figure 34: WRS testing as a PP

18.2 Testing as an RFP

A dummy bearer shall be generated by the Lower Tester or (if that is not possible) by an RFP supplied by the applicant and conform to the present document. The WRS EUT shall be synchronized to the dummy bearer and shall operate as an RFP in test-stand-by Mode. The dummy bearer may change bearer during the test.

The EUT shall be tested as an RFP as regards the carrier frequency demands of clause 7 and reference timer accuracy demands of clause 8.4 of the present document. See figure 35.

NOTE: The power combiner is not needed if the PP and RFP functions have different antenna connectors.

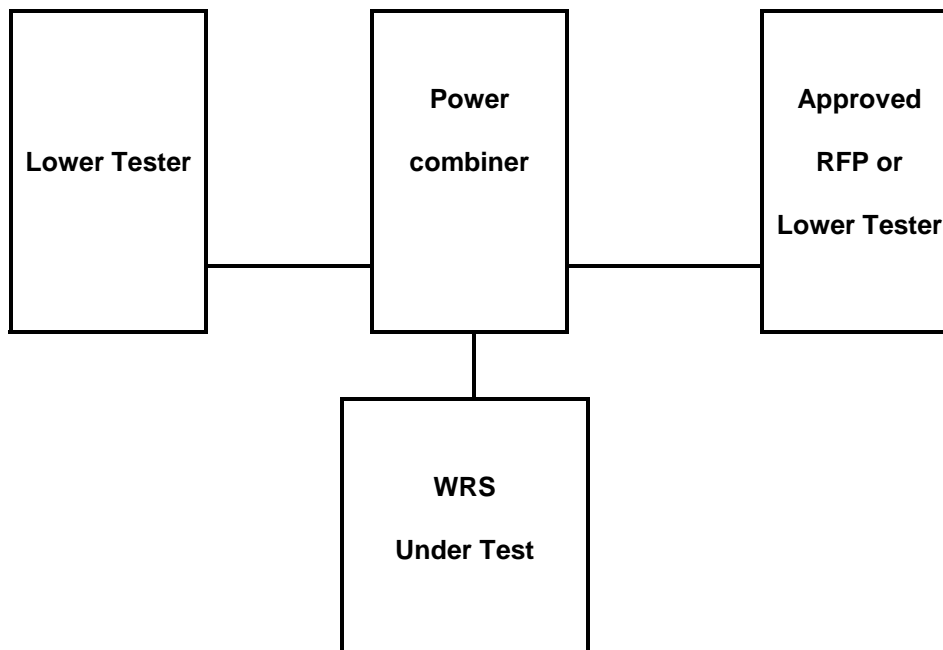


Figure 35: WRS testing as an RFP

18.3 Applicants declarations

The applicant shall declare that:

- the WRS provides a mechanism, see EN 300 700 [16], to control the number of multihops;
- the WRS applies the defined, see EN 300 700 [16], frame multiplexing structure;
- the WRS conforms to the requirements Equipment Identity, clause 16, and Efficient Use of the Radio Spectrum, clause 17.

Additional applicants' declarations for a REP version of WRS:

- the REP conforms to the requirements of EN 300 700 [16] for channel selection of double duplex bearers.

19 Requirements for PPs with direct PP to PP communication mode

PPs or CTAs with direct communication mode option shall be tested for the PP requirements of the present document for normal non-direct communication with the amendments defined below.

19.1 Setting the EUT in direct communications mode

Entering and leaving the direct communications mode shall be made by manual keypad entries or by other means. The EUT shall be set in direct communications mode provided with proper identities. If class E identities are used, the requirements for class E identities in EN 300 175-6 [6], clauses 5.5, 6.1.5 and 6.3.2 shall be met.

When not processing a call, the EUT shall be in active unlocked PP state.

The applicant shall provide information about T1, typically 10 seconds, and T2 typically 20 seconds.

19.2 When the EUT has not initiated a call

When the EUT has not initiated a call, it shall meet the "non-direct mode" PP requirements of the present document, but with the following amendments:

- a) the EUT shall in the active unlocked PP state scan all channels on relevant carriers at least every T1 seconds;
- b) if ARI class E is used, the paged EUT is allowed to make the bearer setup attempt only on the channel pair where the initiating PP transmits.

19.3 When the EUT initiates a call

By initiating a call means that the number of the wanted subscriber is entered via the keypad or by other means, and that the EUT at "off-hook command" shall enter the RFP active idle state. See EN 300 175-3 [3], clause 4.3.

When the EUT initiates a call, it shall meet the "non-direct mode" RFP requirements of the present document, but with the following amendments:

- a) the 25 ppm PP timer stability requirements apply. See EN 300 175-2 [2], clause 4.2.2;
- b) an EUT entering RFP mode is allowed to derive over the air frame and slot synchronization from a DECT system having "non-class E" identities;
- c) the EUT shall use FP or PP simplex bearer channel selection rules for the RFP active idle state. See EN 300 175-3 [3], clause 11.4;
- d) the page message shall be transmitted in every multiframe as long as in active idle state;
- e) the short page format shall be used for ARI class E;

the EUT shall revert from active idle RFP state to PP active unlocked state, if a duplex bearer has not been established within $T2 > T1$ seconds.

The PP is not required to do receiver scanning for ARI class E in RFP active idle nor active state. See EN 300 175-3 [3], clause 11.8 and EN 300 175-6 [6], clause 5.5.

If identities class E are used, the N_T message will not contain an ETSI distributed code. See clause 16.2 of the present document.

19.4 Applicants declarations

The applicant shall declare:

- that equipment using class E identities conform to the requirements of EN 300 175-6 [6], clauses 5.5, 6.1.5 and 6.3.2;
- conformance to other requirements of clause 19 for which test tool are not available.

20 Distributed communications

PPs and CTAs with distributed communications option, HyPs, shall be tested as a stand alone PP and shall comply to all relevant PP test cases in the present document. In addition the HyPs shall be tested as an RFP as regards the carrier frequency demands of clause 7 and reference timer accuracy demands of clause 8.4.

The HyP EUT shall meet the PT and FT requirements and the applicants' declarations as described below.

A HyP requires to be synchronized to a bearer to derive its reference timer for PT and FT transmissions.

20.1 Testing as a PP

The EUT shall operate as a PP in the test-stand-by mode, TSM, see annex D, as a stand alone module.

In this mode it shall be tested as a normal PP. See figure 36.

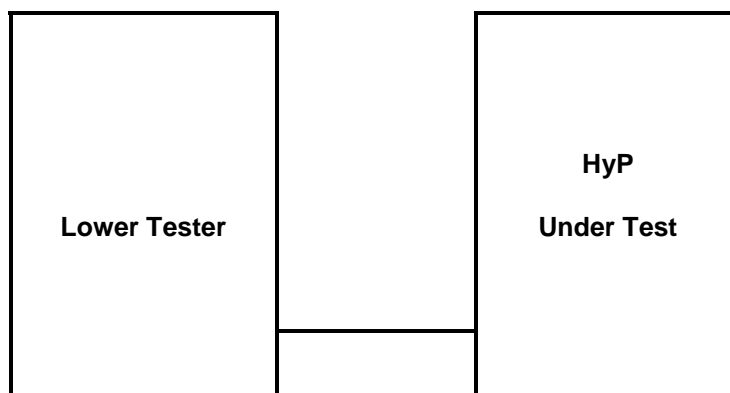


Figure 36: HyP testing as a PP

20.2 Testing as an RFP

A dummy bearer shall be generated by the Lower Tester or (if that is not possible) by an RFP supplied by the applicant and conforms to the present document. The EUT shall be synchronized to the dummy bearer and shall operate as an RFP in test-stand-by Mode. The dummy bearer may change bearer during the test.

The EUT shall be tested as an RFP as regards the carrier frequency demands of clause 7 and reference timer accuracy demands of clause 8.4. See figure 37.

NOTE: The power combiner is not needed if the PP and RFP functions have different antenna connectors.

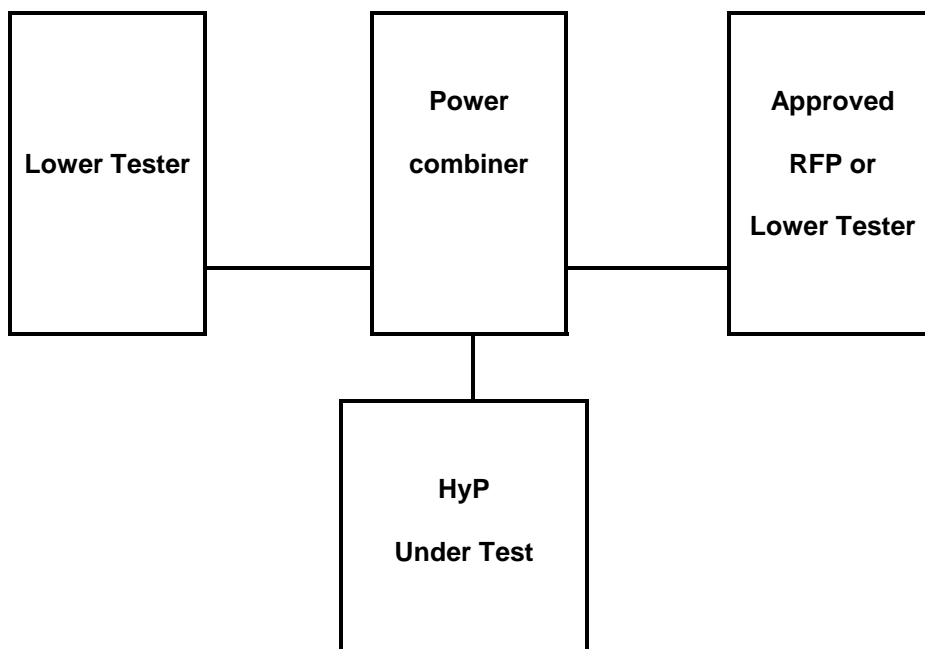


Figure 37: HyP testing as an RFP

20.3 Applicants declaration

The applicant shall declare conformance to requirements of clause 20 for which test tool are not available.

21 Higher level modulation options

The 4-level modulation shall be $\pi/4$ -DQPSK, the 8-level modulation $\pi/8$ -D8PSK, the 16-level modulation 16 QAM and the 64 level modulation 64 QAM (see EN 300 175-2 [2] annex D). It is only allowed to use 4-level or higher level modulation in the B + Z or the A + B + Z fields, see EN 300 175-2 [2] and EN 300 175-3 [3], whereby the S + A or the S field respectively shall use the $\pi/2$ -DBPSK 2-level modulation as defined in EN 300 175-2 [2] annex D. The different configurations, 1a to 6, for allowed combinations of modulation schemes are defined in table 13.

Table 13: Configurations of allowed combinations of modulation types in the S-, A and (B+Z)-fields

Configuration	S-field	A-field	B+Z-field
1a	GFSK	GFSK	GFSK
1b	$\pi/2$ -DBPSK	$\pi/2$ -DBPSK	$\pi/2$ -DBPSK
2	$\pi/2$ -DBPSK	$\pi/2$ -DBPSK	$\pi/4$ -DQPSK
3	$\pi/2$ -DBPSK	$\pi/2$ -DBPSK	$\pi/8$ -D8PSK
4a	$\pi/2$ -DBPSK	$\pi/4$ -DQPSK	$\pi/4$ -DQPSK
4b	$\pi/2$ -DBPSK	$\pi/8$ -D8PSK	$\pi/8$ -D8PSK
5	$\pi/2$ -DBPSK	$\pi/2$ -DBPSK	16-QAM
6	$\pi/2$ -DBPSK	$\pi/2$ -DBPSK	64-QAM

Configuration 1a is the basic DECT modulation scheme for which all tests in the present document are defined.

Equipment that is capable of operating in any of the configurations 2 to 6 shall also be able to operate in configuration 1 (1a or 1b).

Such equipment shall in configuration 1a be tested to conform to all requirements of the present document that apply for equipment using the basic 1a configuration.

Such equipment that does not support configuration 1a, shall in configuration 1b be tested conform to all requirements (verdict criteria) of the present document that apply for equipment using the basic 1a configuration, with the exception for clause 11 "RF carrier modulation" and with the exception for clauses 9.1.6 "Minimum power" and 9.1.7 "Maximum power". For the last two exceptions see "Applicants declaration" clause 21.2.

Additionally, if the EUT includes a radio transmitter capable of 4-level and/or higher level modulation, the ETU shall be tested to conform to the requirements of clauses 10 and 12 of the present document using the 4-level and/or higher level modulation in the B + Z or A + B + Z fields.

21.1 Activation of higher level modulations when EUT is in test stand-by mode

The applicant shall supply a method, to be applied when the EUT is in test stand-by mode, by which the EUT supporting 4/8/16/64-level modulation might activate such options. For the options supported, it shall be possible to select each modulation option independently of the other.

Such a method may be controlled either by some means of manual switching (e.g. dip-switch, jumper, prom, or key-pad code as designated by the applicant), or by means of a CHANGE_MODULATION_SCHEME test message, if agreed with the test house. If only one type of higher level modulation is supported, the method may consist of activating this higher level modulation option at the expiring of a pre-defined timer started after the bearer setup.

The applicant shall describe this method in the PIXIT.

For the purpose of testing (especially when in test stand-by mode) the EUT shall always use 2-level modulation in the A-field.

21.2 Applicants declaration

The applicant shall declare conformance to requirements of clause 5.3.14 for which test tools are not available.

The applicant shall for RF carrier modulation and power template declare conformance to the standard EN 300 175-2 [2], annex D.

Annex A (informative): (Void)

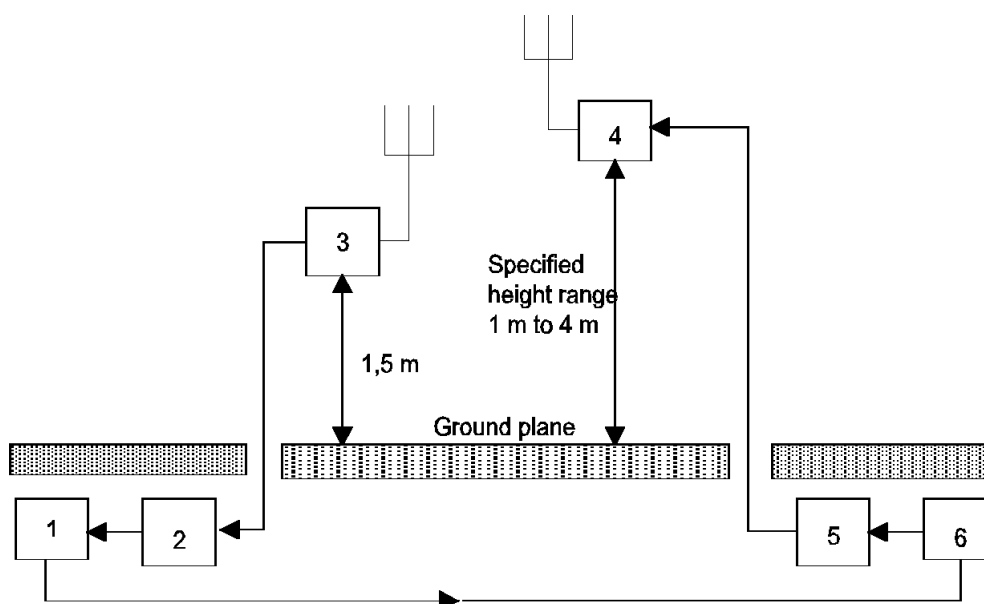
NOTE: Due to a change which occurred in the ETSI Drafting Rules in May 2007, stipulating that "Normative annexes shall be listed before the informative annexes", this annex has been moved to the end of the present document.

Annex B (normative): Procedures for test fixture calibration and for measurement of radiated spurious emissions

B.1 Calibration of test fixture for receiver measurements

The calibration procedure utilizes the average measured usable sensitivity of the receiver. The average measured usable sensitivity expressed as field strength for bit stream shall be the average of eight measurements of field strength, expressed in dB μ V/m, at the nominal frequency of the receiver and with specified test modulation which produces after demodulation a data signal with a bit error ratio of 10^{-3} , when the receiver is rotated in 45° increments, starting at the reference orientation.

B.1.1 Method of measurement



- 1) Bit error measuring test set
- 2) Termination
- 3) Receiver under test
- 4) Test antenna
- 5) DECT Signal generator
- 6) Bit stream generator

Figure B.1: Measurement arrangement No.1

- a) A test site which fulfils the requirements of the specified frequency range of this measurement shall be used. The test antenna shall be oriented initially for vertical polarization unless otherwise stated.

A signal generator capable of producing a DECT signal shall be connected to the test antenna. The signal generator shall be at the nominal frequency of the receiver and shall be modulated by the test modulation D-M2. The receiver under test shall be placed on the support in its standard position and oriented so that a face, specified by the applicant, is normal to the direction of the test antenna. This is the reference orientation for the measurement.

- b) The bit pattern of the modulating signal shall be compared to the bit pattern obtained from the receiver after demodulation.

- c) The output level of the signal generator shall be adjusted until a bit error ratio of 10^{-3} is obtained.
- d) The test antenna shall be raised or lowered again through the specified height range to find the lowest level of the test signal which produces the same bit error ratio.
- e) Record the minimum signal generator level from c) or d).
- f) Steps b) to e) shall be repeated for the eight positions 45° apart of the receiver and the corresponding values of the generator output which produces the same bit error ratio will be determined and recorded.
- g) Using the calibration of the test site, calculate the eight field strengths X_i ($\mu\text{V}/\text{m}$) corresponding to the output level above of the signal generator. The average measured usable sensitivity expressed as field strength X_{mean} ($\text{dB}\mu\text{V}/\text{m}$) is given by:

$$X_{\text{mean}} = 20 \log \left[\frac{8}{\sum_{i=1}^{i=8} \left(\frac{1}{X_i^2} \right)} \right]^{1/2} \quad (\text{B.1})$$

- h) Measurements b) to g) shall be repeated with the test antenna oriented in horizontal polarization.
- i) Record the lower value of the two recorded in steps g) and h) above.
- j) Using the test fixture in measuring arrangement No.2 the measurement may also be performed under extreme test conditions.

Additional uncertainties can occur under extreme test conditions due to the calibration of the test fixture.

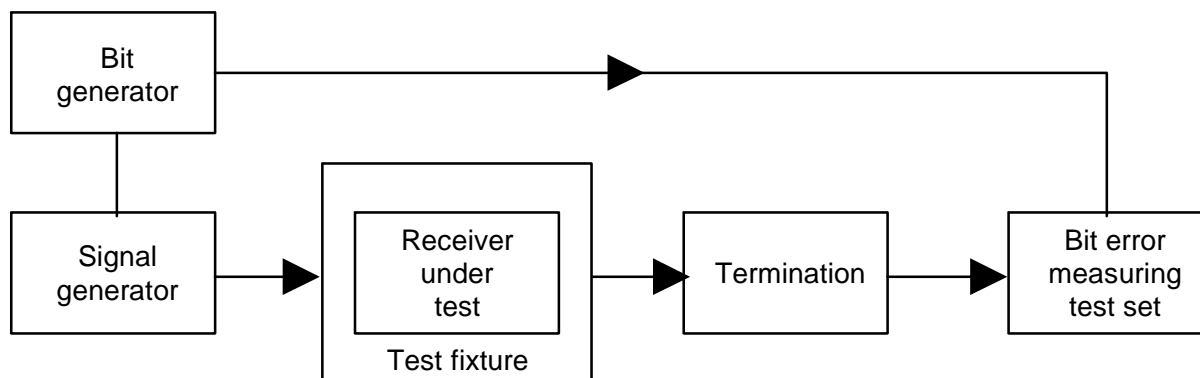


Figure B.2: Measurement arrangement No.2

- k) The test signal input level providing a BER of 10^{-3} shall be determined under normal and extreme test conditions and the difference in dB is noted. This difference shall be algebraically added to the average measured usable sensitivity to radiated fields for bit stream expressed in $\text{dB}\mu\text{V}/\text{m}$ under normal test conditions, to obtain the same quantity under extreme test conditions.

B.2 Radiated measurements

B.2.1 General

This clause contains all methods of measurements involving the absolute measurement of a radiated field. This field may be radiated by an integral antenna and/or by the cabinet of the equipment itself.

The standard test site shall be a calibrated open air test site, whose dimensions are appropriate to the frequency range of measurements.

In some cases operating on a test site may produce electromagnetic perturbation or, conversely, external radiation may disturb the measurement. For these reasons, and also in order to reduce the space required, other arrangements may be used, such as:

- stripline arrangements;
- anechoic chamber;
- indoor test site.

The methods of measurement described in this annex are based on an open air test site, unless otherwise stated. If a stripline arrangement, an anechoic chamber or an indoor test site are used, the changes which apply to the method of measurement are indicated in their corresponding descriptions. For each radiated measurement, the nature and the dimensions of the test arrangement used shall be recorded in the test report.

For extreme test conditions a test fixture shall also be required.

For equipment normally operated from internal batteries it may be necessary to operate it from an external power source. A RF filter may be required to avoid radiation to or from the power leads.

B.2.2 Radiated spurious emissions

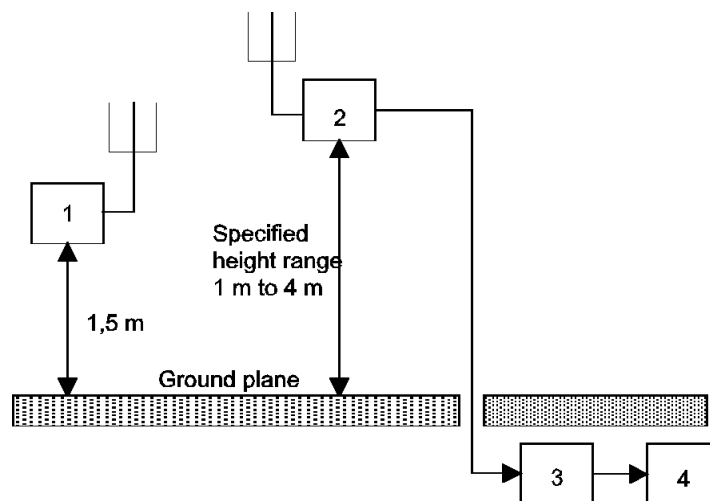
B.2.2.1 Definition

Spurious emissions are emissions at frequencies, other than those of the carrier and sidebands associated with normal modulation, radiated by the antenna and by the cabinet of the transmitter.

They are specified as the radiated power of any discrete signal.

B.2.2.2 Method of measurement

This method of measurement applies to transmitters having an integral antenna.



- 1) Transmitter under test
- 2) Test antenna
- 3) High "Q" (notch) or high pass filter
- 4) Spectrum analyser or selective voltmeter

Figure B.3: Measurement arrangement No.1

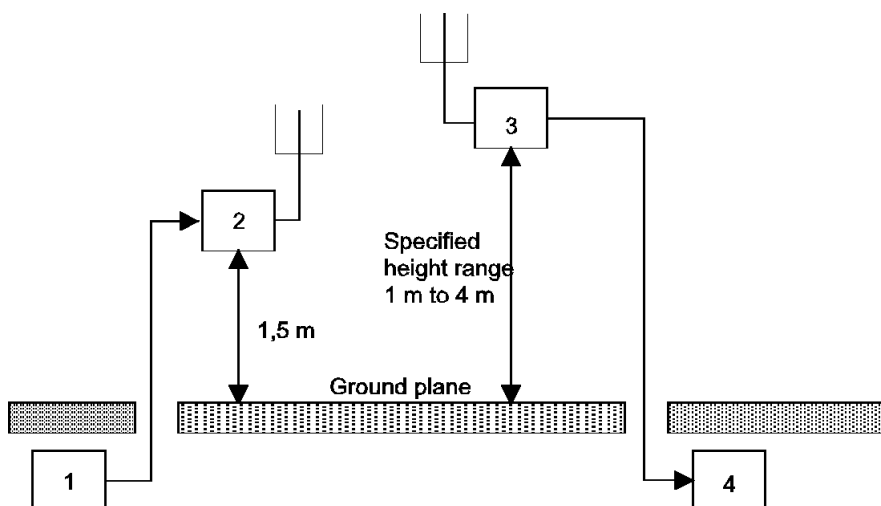
- a) A test site which fulfils the requirements of the specified frequency range of this measurement shall be used. The test antenna shall be oriented initially for vertical polarization and connected to a spectrum analyser or a selective voltmeter, through a suitable filter to avoid overloading of the spectrum analyser or selective voltmeter. The bandwidth of the spectrum analyser is set to a suitable value to correctly perform the measurement.

For the measurement of spurious emissions below the second harmonic of the carrier frequency the filter used shall be a high "Q" (notch) filter centred on the transmitter carrier frequency and attenuating this signal by at least 30 dB.

For the measurement of spurious emissions at and above the second harmonic of the carrier frequency the filter used shall be a high pass filter with a stop band rejection exceeding 40 dB. The cut-off frequency of the high pass filter shall be approximately 1,5 times the transmitter carrier frequency.

The transmitter under test shall be placed on the support in its standard position and shall be switched on.

- b) The radiation of any spurious emission shall be detected by the test antenna and spectrum analyser or selective voltmeter over the specified frequency range, except for the channel on which the transmitter is intended to operate and its adjacent channels. The frequency of each spurious emission detected shall be recorded. If the test site is disturbed by interference coming from outside, this qualitative search may be performed in a screened room, with a reduced distance between the transmitter and the test antenna.
- c) For each frequency at which an emission has been detected, the spectrum analyser or selective voltmeter shall be tuned and the test antenna shall be raised or lowered through the specified height range until a maximum signal level is detected on the spectrum analyser or selective voltmeter.
- d) The transmitter shall be rotated through 360° about a vertical axis, until the maximum signal is received.
- e) The test antenna shall be raised or lowered again through the specified height range until the maximum is obtained. This level shall be recorded.



- 1) Signal generator
- 2) Substitution antenna
- 3) Test antenna
- 4) Spectrum analyser or selective voltmeter

Figure B.4: Measurement arrangement No.2

- f) Using measurement arrangement No.2 the substitution antenna shall replace the transmitter antenna in the same position and in vertical polarization. It shall be connected to the signal generator.
- g) For each frequency at which an emission has been detected, the signal generator, substitution antenna, and spectrum analyser or selective voltmeter shall be tuned. The test antenna shall be raised or lowered through the specified height range until the maximum signal level is detected on the spectrum analyser or selective voltmeter. The level of the signal generator shall be adjusted giving the same signal level on the spectrum analyser or selective voltmeter as in e) and this level shall be recorded.

This value, after corrections due to the gain of the substitution antenna, referred to a resonant half wavelength dipole below 1 GHz or to an isotropic radiator above 1 GHz and the cable loss between the signal generator and the substitution antenna, is the radiated spurious emission level of this frequency.

- h) Steps c) to g) shall be repeated with the test antenna oriented in horizontal polarization.
- i) Steps c) to h) shall be repeated with the transmitter in stand-by condition if this option is available.

B.2.3 Cabinet radiation

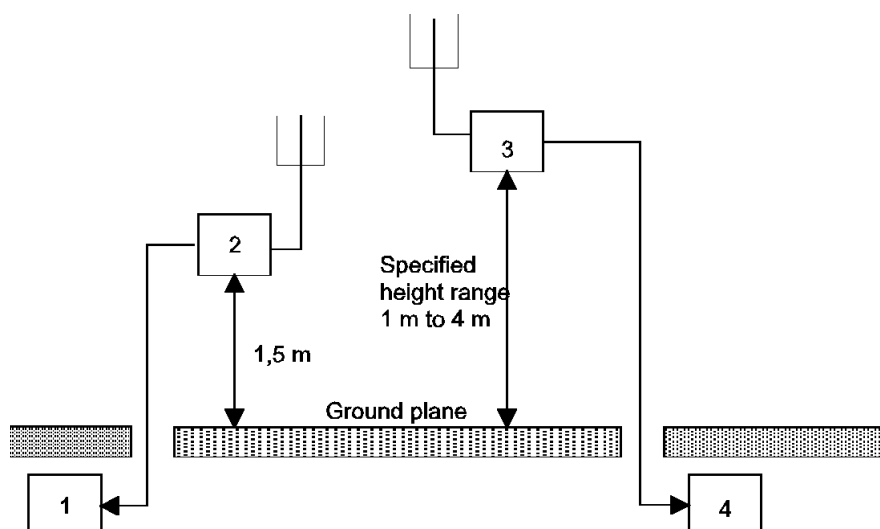
B.2.3.1 Definition

Cabinet radiation is radiation at frequencies, excluding the band containing the carrier and sidebands associated with normal modulation, coming from the cabinet of the transmitter.

It is specified as the radiated power of any discrete signal.

B.2.3.2 Method of measurement

This method of measurement applies to transmitters having an antenna socket.



- 1) Test load
- 2) Transmitter under test
- 3) Test antenna
- 4) Spectrum analyser or selective voltmeter

Figure B.5: Measurement arrangement No.1

- a) A test site which fulfils the requirements of the specified frequency range of this measurement shall be used. The test antenna shall be oriented initially for vertical polarization and connected to a spectrum analyser or selective voltmeter. The bandwidth of the spectrum analyser or selective voltmeter shall be between 10 kHz and 100 kHz, set to a suitable value to correctly perform the measurement.

The transmitter under test shall be placed on the support in its standard position, connected to a test load and switched on.

- b) The same method of measurement as in b) to i) of clause B.2.2 will be used.

Annex C (normative): Procedure for measurement of conducted spurious emissions

C.1 Conducted spurious emissions

C.1.1 Definition

Conducted spurious emissions are discrete signals whose power is conveyed by conduction to the test load at frequencies other than those of the carrier and sidebands resulting from the normal process of modulation.

They are specified as the power level of any discrete signal delivered into a test load.

C.1.2 Method of measurement

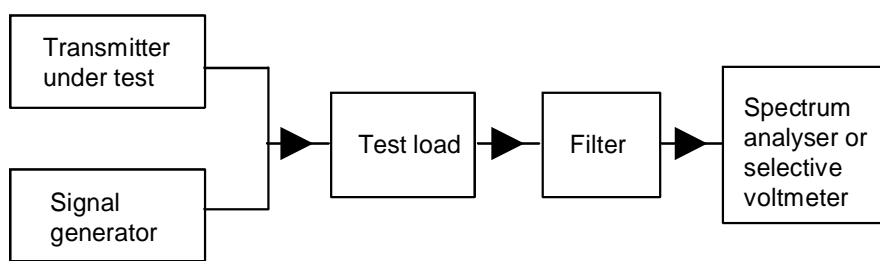


Figure C.1

- a) The transmitter shall be connected to a spectrum analyser or a selective voltmeter through a test load and an appropriate filter to avoid overloading of the spectrum analyser or selective voltmeter. The bandwidth of the spectrum analyser or selective voltmeter shall be between 10 kHz and 100 kHz. The equipment used shall have sufficient dynamic range and sensitivity to achieve the required measurement accuracy at the specified limit.

For the measurement of spurious emissions below the second harmonic of the carrier frequency the filter used shall be a high "Q" (notch) filter centred on the transmitter carrier frequency and attenuating this signal by at least 30 dB.

For the measurement of spurious emissions at and above the second harmonic of the carrier frequency the filter used shall be a high pass filter with a stop band rejection exceeding 40 dB. The cut-off frequency of the high pass filter shall be approximately 1,5 times the transmitter carrier frequency.

Precautions may be required to ensure that the test load does not generate or that the high pass filter does not attenuate, the harmonics of the carrier.

- b) The transmitter shall be unmodulated and operating at the maximum limit of its specified power range.
- c) The frequency of the spectrum analyser or selective voltmeter shall be adjusted over the specified frequency range. The frequency and level of every spurious emission found shall be noted. The emissions within the channel occupied by the transmitter carrier and its adjacent channels shall not be recorded.
- d) If the spectrum analyser or selective voltmeter has not been calibrated in terms of power level at the transmitter output, the level of any detected components shall be determined by replacing the transmitter by the signal generator and adjusting it to reproduce the frequency and level of every spurious emission recorded in c).
- e) The absolute power level of each of the emissions noted shall be measured and recorded.

- f) The measurement shall be repeated with the transmitter in stand-by condition if this option is available.

Annex D (normative): Test Support Profile (TSP)

D.1 Introduction

This annex defines the provisions of the TSP for DECT equipment (EUT) capabilities in Test Standby Mode (TSM) and for the Lower Tester (LT) capabilities while performing the tests described in the present document. When there exists a reference to "TSM" in the present document, it shall be applied for both the test standby mode and the test mode(s) in operation as described in EN 300 175-3 [3], clause 12.2.

It specifies three different bearer setup procedures, as described in EN 300 175-3 [3], clauses 10.5.1.1, 10.5.1.2 and 10.5.1.3 in order to transfer test messages described in clause 12 and clause 7.2.5.4 of EN 300 175-3 [3]. One of these 3 bearer setup procedures shall be supported by the LT and EUT.

D.2 Standardized symbols for the status column

The standardized symbols for the status column are as follows:

- M for always mandatory (the capability is required to be implemented). M1, M2, M3 for mandatory in respective order for basic bearer setup, A-field advanced single bearer setup and B-field single bearer setup procedures supported (if bearer setup type n is not supported then Mn shall be understood to mean O);
- O for optional (Boolean) (the capability may be implemented, but can be ignored on receipt);
- X for prohibited or excluded (the capability is not allowed to be implemented);
- I for out of scope in the test standby mode (the capability is allowed to be implemented, but is irrelevant in the test standby mode);
- - (dash) for not applicable (the capability is not possible to implement);
- C for conditional (the capability depends on the selection of other optional and/or conditional items). C1, C2, C3 for conditional in respective order for basic bearer setup, A-field advanced single bearer setup and B-field single bearer setup procedures supported (if bearer setup type n is not supported then Cn shall be understood to mean O).

All other capabilities not shown in this annex shall be regarded as optional or out of scope. Tables D.1 and D.2 show the interpretation of these symbols in this annex.

Table D.1: Usage of symbols

Symbols\Usage	Allowed to be implemented in the EUT	Possible in normal operation (EN 300 175)	Possible in TSM (the present document)	Out of scope of TSM
M	Yes	Yes	Yes	No
O	Yes	Yes	Yes	No
I	Yes	Yes	No	Yes
-	No	No	No	Yes
X	Yes	Yes	No	Yes

Table D.2: Symbols and their relation to transmit and receive events

Symbols\TX, RX	Transmit	Receive
M	shall process and send	if received; shall process
O	allowed to be sent	if received; optionally processed
I	not possible to send (in TSM)	not possible to receive (in TSM)
-	not possible ever	not possible ever
X	not allowed to be sent in TSM	if received: not allowed to be processed in TSM

D.3 Capabilities of PP (EUT) under test

D.3.1 Services

Table D.3: Broadcast services

Broadcast services supported				
Item No.	Name of service	Reference	PT Status	LT Status
1	Continuous broadcast	5.7.1.1 [3]	M	M
2	System identities	11.3.2 [3]	O	M
3	System information	11.3.2 [3]	M	M

D.3.2 Messages

Table D.4: Header-field messages

Header-field messages						
Item No.	Message	Reference	Sending		Receipt	
			PT Status	LT Status	PT Status	LT Status
3	Identities information on C/L bearer; TA= (010) BA ≠ (111)	7.1.2 [3]	-	M	O	-
3a	Identity information (Nt) on DummyPointer bearer, FT initiated "no-emission" mode wakeup; TA= (010) BA =(111)	7.1.2 [3]	-	M	O	-
4	Identities information	7.1.2 [3]	M	M	O	O
5	Multiframe synchronization and system information	7.1.2 [3]	-	M	M	-
6	Escape	7.1.2 [3]	O	X	I	X
7	MAC layer control	7.1.2 [3]	M	M	M	M
9	First PP transmission	7.1.2 [3]	M	-	-	O
9a	C _T data packet number 0; TA=(000)	7.1.2 [3]	M	M	M	M
9b	C _T data packet number 1; TA=(001)	7.1.2 [3]	M	M	M	M
12	U-type, I _N , SI _N or I _P packet number 0	7.1.4 [3]	M	M	M	M
12a	U-type, I _N , SI _N or I _P packet number 1	7.1.4 [3]	O	M	O	M
16	E-type, not all C _F or CL _F ; packet number 0	7.1.4 [3]	C3a	X	I	M3
17	E-type, not all C _F ; C _F packet number 1	7.1.4 [3]	C3a	X	I	M3
18	E+U-type, I _N , I _{P_error_detect} OR E+U type I _{P_error_correct} packet number 0 OR E-type all MAC signalling	7.1.4 [3]	C3a	M3	M3	M3
19	E+U-type, I _{P_error_correct} packet number 1 OR no B-field if I _N or I _{P_error_detect}	7.1.4 [3]	O	O	O	O

C3a: At least one of the set is mandatory for the EUT.

Table D.5: Messages in the A-tail field

Messages in the A-tail field						
Item No.	Message	Reference	Sending		Receipt	
			PT Status	LT Status	PT Status	LT Status
1	Identities information	7.2.2 [3]	O	M	O	O
2	Static system information	7.2.3.2 [3]	-	M	M	-
3	Extended RF carrier information	7.2.3.3 [3]	-	X	I	-
4	Fixed part capabilities	7.2.3.4 [3]	-	M	O	-
8	Q-channel escape	7.2.3.8 [3]	-	X	I	-
31	Basic CC access request	7.2.5.2.2 [3]	M1	-	-	M1
32	Basic CC bearer handover request	7.2.5.2.2 [3]	O	-	-	M1
33	Basic CC connection handover request	7.2.5.2.2 [3]	O	-	-	M1
35	Basic CC bearer confirm	7.2.5.2.2 [3]	-	M1	O	-
36	Basic CC bearer release	7.2.5.2.2 [3]	O	X	I	M1
37	Basic CC wait	7.2.5.2.3 [3]	-	X	I	-
38	Advanced CC access request	7.2.5.3.2 [3]	M2	X	I	M2
39	Advanced CC bearer handover request	7.2.5.3.3 [3]	O	X	I	M2
40	Advanced CC connection handover request	7.2.5.3.4 [3]	O	X	I	M2
41	Advanced CC unconfirmed access request	7.2.5.3.5 [3]	O	X	I	O
42	Advanced CC bearer confirm	7.2.5.3.6 [3]	O	M2	M2	O
43	Advanced CC wait	7.2.5.3.7 [3]	O	M2	O	M2
44	Advanced CC attributes_T, request	7.2.5.3.8 [3]	M2	X	I	M2
45	Advanced CC attributes_T, confirm	7.2.5.3.8 [3]	O	M2	O	O
46	Advanced CC bandwidth_T, request	7.2.5.3.9 [3]	O	X	I	O
47	Advanced CC bandwidth_T, confirm	7.2.5.3.9 [3]	O	O	O	O
51	Advanced CC release	7.2.5.3.13 [3]	O	X	I	M2
52	MAC test force transmit	7.2.5.4.2 [3]	-	M	M	-
53	MAC test loopback data	7.2.5.4.3 [3]	-	M	M	-
54	MAC test defeat antenna diversity	7.2.5.4.4 [3]	-	M	M	-
55	MAC test force bearer handover	7.2.5.4.5 [3]	-	I	I	-
56	MAC test escape	7.2.5.4.6 [3]	X	X	I	I
58	MAC test clear test modes	7.2.5.4.8 [3]	-	M	M	-
82	B-field setup, first PT transmission	7.2.5.8 [3]	O	-	-	M3
83	MAC control escape	7.2.5.9 [3]	O	X	I	O

Table D.6: Messages in the B-tail field

Messages in the B-tail field						
Item No.	Message	Reference	Sending		Receipt	
			PT Status	LT Status	PT Status	LT Status
1	Advanced CC access request	7.3.3.2 [3]	M3	X	I	M3
2	Advanced CC bearer handover request	7.3.3.2 [3]	O	X	I	M3
3	Advanced CC connection handover request	7.3.3.2 [3]	O	X	I	M3
4	Advanced CC unconfirmed access request	7.3.3.2 [3]	O	X	I	O
5	Advanced CC bearer confirm	7.3.3.3 [3]	O	M3	M3	O
6	Advanced CC wait	7.3.3.4 [3]	O	X	O	O
9	B-field bandwidth-B request	7.3.3.6 [3]	O	X	O	O
14	Advanced CC release	7.3.3.10 [3]	O	X	O	M3
30	B-field escape	7.3.8 [3]	O	X	I	X

D.3.3 Message parameters

The slot type shall be set correctly in all message parameters.

The equipment supplier shall provide message parameter details for configuring the LT.

Table D.7: Parameters for A-field static system information message

Parameters for A-field static system information message						
Item No.	Name of Parameter	Reference	PT Status	LT Status	Values	
					PT Allowed	LT Allowed
1	Normal-reverse	7.2.3.2.2 [3]	M	M	0,1	0
2	Slot number	7.2.3.2.3 [3]	M	M	0 - 11	0 - 11
3	Start position	7.2.3.2.4 [3]	M	M	0,2	0,2
4	Q_T escape bit	7.2.3.2.5 [3]	M	M	0,1	0,1
5	Number of transceivers	7.2.3.2.6 [3]	O	M	0 - 3	0
6	Extended RF carrier information available	7.2.3.2.7 [3]	O	M	0,1	0
7	RF carriers available	7.2.3.2.8 [3]	O	M	1 - 1 023	1 - 1 023
8	Carrier number	7.2.3.2.10 [3]	O	M	0 - 9	0 - 9
9	Primary receiver scan carrier number	7.2.3.2.12 [3]	O	M	0 - 9	0 - 9

Table D.8: Parameters for MAC FP capability message

Parameters for A-field MAC FP capability message						
Item No.	Name of parameter	Reference	PT Status	LT Status	Values	
					PT Allowed	LT Allowed
1	Extended FP information	7.2.3.4.2 [3]	O	M	0,1	0
2	Double slot	7.2.3.4.2 [3]	O	M	0,1	0,1
3	Half slot	7.2.3.4.2 [3]	O	M	0,1	0,1
4	Full slot	7.2.3.4.2 [3]	O	M	0,1	0
5	Frequency control	7.2.3.4.2 [3]	O	M	0,1	0
6	Page repetition	7.2.3.4.2 [3]	O	M	0,1	0
7	C/O setup on dummy bearer allowed	7.2.3.4.2 [3]	O	M	0,1	0
8	C/L uplink	7.2.3.4.2 [3]	O	M	0,1	0
9	C/L downlink	7.2.3.4.2 [3]	O	M	0,1	0
10	Basic A-field setup	7.2.3.4.2 [3]	O	M	0,1	0,1
11	Advanced A-field setup	7.2.3.4.2 [3]	O	M	0,1	0,1
12	B-field setup	7.2.3.4.2 [3]	O	M	0,1	0,1
13	C_F messages	7.2.3.4.2 [3]	O	M	0,1	0,1
14	I_N minimum delay	7.2.3.4.2 [3]	O	M	0,1	0
15	I_N normal delay	7.2.3.4.2 [3]	O	M	0,1	0,1
16	I_{PM} error detection	7.2.3.4.2 [3]	O	M	0,1	0,1
16a	I_{PQ} error detection	7.2.3.4.2 [3] 7.2.3.5.2 [3]	O	M	0,1	0,1
17	I_{PM} error correction	7.2.3.4.2 [3]	O	M	0,1	0,1
17a	I_{PQ} error correction	7.2.3.4.2 [3] 7.2.3.5.2 [3]	O	M	0,1	0,1
18	Multibearer connections	7.2.3.4.2 [3]	O	M	0,1	0,1
19	Synchronization field – prolonged preamble	7.2.3.5.2.2 [3]	O	M	0,1	0,1
20	MAC suspend and resume	7.2.3.5.2 [3]	O	M	0,1	0,1
21	Long slot support ($j = 640$)	7.2.3.11.2 [3]	O	M	0,1	0,1
22	Long slot support ($j = 672$)	7.2.3.11.2 [3]	O	M	0,1	0,1
23	E+U-type mux and channel I_{PF} basic procedures supported	7.2.3.11.2 [3]	O	M	0,1	0,1
24	channel I_{PF} advanced procedures supported	7.2.3.11.2 [3]	O	M	0,1	0,1
25	channel S_{PF} supported	7.2.3.11.2 [3]	O	M	0,1	0,1
26	channel G_F supported	7.2.3.11.2 [3]	O	M	0,1	0,1
27	"no-emission" mode: preferred carrier number mode (CN)	7.2.3.11.2 [3]	O	M	0,1	0,1

**Table D.9: Parameters for higher layer information FP capability message
(EN 300 175-5 [5], clause F.1)**

Parameters for A-field higher layer information FP capability message							
Item No.	Name of parameter	bit	reference	PT Status	LT Status	Values	
						PT Allowed	LT Allowed
1	ADPCM/G.726 (see note) Voice service	a32	F.1 [5]	O	M	0,1	0,1
2	Generic Access Profile (GAP) supported	a33	F.1 [5]	O	M	0,1	0,1
3	Non-voice circuit switched service	a34	F.1 [5]	O	M	0,1	0,1
4	Non-voice packet switched service	a35	F.1 [5]	O	M	0,1	0,1
5	Standard authentication required	a36	F.1 [5]	O	M	0,1	0,1
6	Standard ciphering supported	a37	F.1 [5]	I	M	0,1	0
7	Location registration supported	a38	F.1 [5]	O	M	0,1	0,1
8	SIM services available	a39	F.1 [5]	O	M	0,1	0,1
9	Non-static Fixed Part (FP)	a40	F.1 [5]	O	M	0,1	0,1
10	CISS services available	a41	F.1 [5]	O	M	0,1	0,1
11	CLMS services available	a42	F.1 [5]	O	M	0,1	0,1
12	COMS services available	a43	F.1 [5]	O	M	0,1	0,1
13	Access rights requests supported	a44	F.1 [5]	O	M	0,1	0,1
14	External handover supported	a45	F.1 [5]	O	M	0,1	0,1
15	Connection handover supported	a46	F.1 [5]	O	M	0,1	0,1
16	Reserved	a47	F.1 [5]	O	M	0,1	0,1

NOTE: ITU-T Recommendation G.726 [i.7].

**Table D.9a: Parameters for extended higher layer information FP capabilities message
(EN 300 175-5 [5], clause F.2)**

Parameters for A-field higher layer information FP capability message							
Item No.	Name of parameter	bit	reference	PT Status	LT Status	Values	
						PT Allowed	LT Allowed
1	ISDN Data Services	a47	F.2 [5]	O	M	0,1	0,1
2	DPRS FREL	a46	F.2 [5]	O	M	0,1	0,1
3	DPRS Stream	a45	F.2 [5]	O	M	0,1	0,1
4	Data Service Profile D	a44	F.2 [5]	O	M	0,1	0,1
5	LRMS	a43	F.2 [5]	O	M	0,1	0,1
6	Asymmetric bearers supported	a41	F.2 [5]	O	M	0,1	0,1
7	Emergency call supported	a40	F.2 [5]	O	M	0,1	0,1
8	Location registration with TPUI allowed	a39	F.2 [5]	O	M	0,1	0,1
9	Synchronization to GPS achieved	a38	F.2 [5]	O	M	0,1	0,1
10	ISDN intermediate system	a37	F.2 [5]	O	M	0,1	0,1
11	RAP Part 1 Profile	a36	F.2 [5]	O	M	0,1	0,1
12	V.24	a33	F.2 [5]	O	M	0,1	0,1
13	PPP	a32	F.2 [5]	O	M	0,1	0,1
14	IP	a31	F.2 [5]	O	M	0,1	0,1
15	Token Ring	a30	F.2 [5]	O	M	0,1	0,1
16	Ethernet	a29	F.2 [5]	O	M	0,1	0,1
17	IP Roaming unrestricted supported	a28	F.2 [5]	O	M	0,1	0,1
18	Generic Media Encapsulation transport (DPRS) supported	a27	F.2 [5]	O	M	0,1	0,1
19	Basic ODAP supported	a26	F.2 [5]	O	M	0,1	0,1
20	F-MMS Interworking profile supported	a25	F.2 [5]	O	M	0,1	0,1

**Table D.9b: Parameters for extended higher layer information, part 2, FP capabilities message
(EN 300 175-5 [5], clause F.3)**

Parameters for A-field higher layer information FP capability message							
Item No.	Name of parameter	bit	reference	PT Status	LT Status	Values	
						PT Allowed	LT Allowed
1	NG-DECT Wideband voice (see TS 102 527-1 [i.4])	a24	F.3 [5]	O	M	0,1	0,1
2	DPRS/NG-DECT Packet Data Category (see EN 301 649 [i.3] and TS 102 527-2 [i.5])	a25 to a28	F.3 [5]	O	M	0,1,2,3	0,1,2,3
3	NG-DECT Extended wideband voice supported (TS 102 527-3 [i.6])	a29	F.3 [5]	O	M	0,1	0,1
4	NG-DECT FP extended wideband voice (TS 102 527-3 [i.6]) specific sets of services: Call transfer (external or internal)	a30	F.3 [5]	O	M	0,1	0,1
5	NG-DECT FP extended wideband voice (TS 102 527-3 [i.6]) specific sets of services: Common parallel call procedures (external or internal)	a31	F.3 [5]	O	M	0,1	0,1
6	NG-DECT FP extended wideband voice (TS 102 527-3 [i.6]) specific sets of services: Third party conference call (external or internal)	a32	F.3 [5]	O	M	0,1	0,1
7	NG-DECT FP extended wideband voice (TS 102 527-3 [i.6]) specific sets of services: Intrusion call	a33	F.3 [5]	O	M	0,1	0,1
8	NG-DECT FP extended wideband voice (TS 102 527-3 [i.6]) specific sets of services: Call deflection	a34	F.3 [5]	O	M	0,1	0,1
9	"no emission" mode support (see EN 300 175-3 [3], TS 102 527-3[i.6])	a35	F.3 [5]	O	M	0,1	0,1
10	List access feature support (see TS 102 527-3 [i.6])	a36	F.3 [5]	O	M	0,1	0
11	Easy pairing feature support. If supported, for security reasons, set to "1" and unset at the same time as a44 (see TS 102 527-3 [i.6])	a37	F.3 [5]	O	M	0,1	0,1
12	NG-DECT FP extended wideband voice (TS 102 527-3 [i.6]) specific sets of services: Multiple lines	a38	F.3 [5]	O	M	0,1	0,1
13	NG-DECT FP extended wideband voice (TS 102 527-3 [i.6]) specific sets of services: Multiple calls	a39	F.3 [5]	O	M	0,1	0,1
14	NG-DECT FP extended wideband voice (TS 102 527-3 [i.6]) specific sets of services: permanent CLIR	a40	F.3 [5]	O	M	0,1	0,1

D.3.4 Procedure support

Table D.10: Procedures supported

Procedure supported				
Item No.	Name of Procedure	Reference	PT Status	LT Status
1	Downlink continuous broadcast	9.1.1 [3]	M	M
21a	Basic bearer setup	10.5.1.1 [3]	M1	M1
22	A-field advanced single bearer setup	10.5.1.3 [3]	M2	M2
23	B-field single bearer setup	10.5.1.3 [3]	M3	M3
27	Duplex bearer handover procedure	10.6.2 [3]	O	M
29	Unacknowledged bearer release	10.7.2.1 [3]	O	M
36	Idle lock state entering procedure	10.6.2 [3]	O	X
37	Idle lock state maintaining procedure	10.6.2 [3]	O	X
40	Duplex bearer physical channel selection	11.4.1 [3]	O	-
41	Double simplex bearer physical channel selection	11.4.1 [3]	O	-
45a	RFP idle receiver scan sequence	11.8 [3]	O	M
45b	PP fast setup receiver scan sequence	11.9 [3]	O	X
46	Test message	12.2 [3]	M	M

D.3.5 CSF multiplexing functions

Table D.11: CSF multiplexing functions

CSF multiplexing functions				
Item No.	Name of function	Reference	PT Status	LT Status
1	D-field MAP D80	6.2.1.1 [3]	Ca	Cb
2	D-field MAP D32	6.2.1.1 [3]	Ca	Cb
3	D-field MAP D08	6.2.1.1 [3]	Ca	Cb
4	D-field MAP D00	6.2.1.1 [3]	Ca	Cb
4a	D-field MAP D64	6.2.1.1 [3]	Ca	Cb
4b	D-field MAP D67	6.2.1.1 [3]	O	Cb
5	A-field MAP	6.2.1.2 [3]	M	M
6	B-field MAP D80 unprotected	6.2.1.3 [3]	Cc	Cd
7	B-field MAP D32 unprotected	6.2.1.3 [3]	Cc	Cd
8	B-field MAP D08 unprotected	6.2.1.3 [3]	Cc	Cd
8a	B-field MAP D64 unprotected	6.2.1.3 [3]	Cc	Cd
8b	B-field MAP D67 unprotected	6.2.1.3 [3]	O	Cd
9	B-field MAP D80 protected (multisubfield)	6.2.1.3 [3]	Cc	Cd
10	B-field MAP D32 protected (multisubfield)	6.2.1.3 [3]	Cc	Cd
11	B-field MAP D08 protected (multisubfield)	6.2.1.3 [3]	Cc	Cd
11a	B-field MAP D67 protected (multi subfield)	6.2.1.3 [3]	O	Cd
11b	B-field MAP D80 protected (single subfield)	6.2.1.3 [3]	O	Cd
11c	B-field MAP D32 protected (single subfield)	6.2.1.3 [3]	O	Cd
11d	B-field MAP D64 protected (single subfield)	6.2.1.3 [3]	O	Cd
11e	B-field MAP D67 protected (single subfield)	6.2.1.3 [3]	O	Cd
12	Tail multiplexer	6.2.2.1 [3]	M	M
13	E/U-mux E80	6.2.2.2 [3]	Ce	Cf
14	E/U-mux E32	6.2.2.2 [3]	Ce	Cf
15	E/U-mux E08	6.2.2.2 [3]	Ce	Cf
15a	E/U-mux E64	6.2.2.2 [3]	Ce	Cf
15b	E/U-mux E67	6.2.2.2 [3]	O	Cf
16	E/U-mux U80a	6.2.2.2 [3]	Ce	Cf
17	E/U-mux U32a	6.2.2.2 [3]	Ce	Cf
18	E/U-mux U08a	6.2.2.2 [3]	Ce	Cf
19	E/U-mux U80b	6.2.2.2 [3]	Ce	Cf
19a	E/U-mux U64a	6.2.2.2 [3]	Ce	Cf
19b	E/U-mux U67a	6.2.2.2 [3]	O	Cf
19c	E/U-mux U80b	6.2.2.2 [3]	Ce	Cf

CSF multiplexing functions				
Item No.	Name of function	Reference	PT Status	LT Status
20	E/U-mux U32b	6.2.2.2 [3]	Ce	Cf
21	E/U-mux U08b	6.2.2.2 [3]	Ce	Cf
21a	E/U-mux U64b	6.2.2.2 [3]	Ce	Cf
21b	E/U-mux U67b	6.2.2.2 [3]	O	Cf
21c	E/U-mux U80c	6.2.2.2 [3]	Ce	Cf
21d	E/U-mux U32c	6.2.2.2 [3]	Ce	Cf
21e	E/U-mux U64c	6.2.2.2 [3]	Ce	Cf
21f	E/U-mux U67c	6.2.2.2 [3]	O	Cf
21g	E/U-mux U80d	6.2.2.2 [3]	O	Cf
21h	E/U-mux U32d	6.2.2.2 [3]	O	Cf
21i	E/U-mux U08d	6.2.2.2 [3]	O	Cf
21j	E/U-mux U64d	6.2.2.2 [3]	O	Cf
32	E/U-mux double slot D80 mode 10 (E-mux, no C _F)	6.2.2.3.1 [3]	C3g	C3g
37	E/U-mux full slot D32 mode 4 (E-mux, no C _F)	6.2.2.3.1 [3]	C3h	C3h
39	E/U-mux half slot D08 mode 1 (E-mux, no C _F)	6.2.2.3.2 [3]	C3i	C3i
39a	E/U-mux long slot D64/D67 mode 0 (E-mux, no C _F)	6.2.2.3.2 [3]	C3j	C3j
39b	E/U-mux double slot D80 mode 0 (E-mux, all C _F)	6.2.2.3.1 [3]	O	C3g
39c	E/U-mux full slot D32 mode 0 (E-mux, all C _F)	6.2.2.3.1 [3]	O	C3h
39d	E/U-mux half slot D08 mode 0 (E-mux, all C _F)	6.2.2.3.2 [3]	O	C3i
39e	E/U-mux long slot D64/D67 mode 0 (E-mux, all C _F)	6.2.2.3.2 [3]	O	C3j
39f	E/U-mux double slot D80 mode 12 (E+U mux)	6.2.2.3.1 [3]	O	C3g
39g	E/U-mux full slot D32 mode 6 (E+U-mux)	6.2.2.3.1 [3]	O	C3h
39h	E/U-mux long slot D64/D67 mode 10 (E+U-mux)	6.2.2.3.2 [3]	O	C3j
40	Encryption	6.2.3 [3]	O	O
41	Scrambling	6.2.4 [3]	M3	M3
42a	A-field R-CRC generation	6.2.5.2 [3]	M	M
42b	B-field R-CRC generation	6.2.5.2 [3]	M3	M3
43a	A field R-CRC checking	6.2.5.2 [3]	M	M
43a	B-field R-CRC checking	6.2.5.2 [3]	M3	M3
44	X-CRC generation	6.2.5.4 [3]	M	M
45	X-CRC checking	6.2.5.4 [3]	M	O
46	Broadcast control function	6.2.6 [3]	-	M

For A-field setups (i.e. type 1 and 2): only A-field R-CRC is mandatory.
Ca: At least one shall be supported by the EUT.
Cb: At least one shall be supported by the LT.
Cc: At least one shall be supported by the EUT.
Cd: At least one shall be supported by the LT.
Ce: At least one shall be supported by the EUT.
Cf: At least one shall be supported by the LT.
C3g: Mandatory if double slot supported.
C3h: Mandatory if full slot supported.
C3i: Mandatory if half slot supported.
C3j: Mandatory if long slot j = 640 / j = 670 supported.

D.3.6 Timer and counter support

Those timers and counters required by the mandatory procedures are classified as mandatory (see table D.10).

D.4 Capabilities of FP (EUT) under test

D.4.1 Services

Table D.12: Broadcast services

Broadcast services supported				
Item No.	Name of service	Reference	FT Status	LT Status
1	Continuous broadcast	5.7.1.1 [3]	M	M
2	System identities	5.7.1.1 [3]	O	M
3	System information	5.7.1.1 [3]	M	M

D.4.2 Messages

Table D.13: Header field messages

Header-field messages						
Item No.	Message	Reference	Sending		Receipt	
			FT Status	LT Status	FT Status	LT Status
3	Identities information on C/L bearer; TA= (010) BA ≠ (111)	7.1.2 [3]	O	-	-	M
3a	Identity information (Nt) on DummyPointer bearer, FT initiated "no-emission" mode wakeup;TA= (010) BA =(111)	7.1.2 [3]	O	-	-	M
4	Identities information	7.1.2 [3]	M	M	M	M
5	Multiframe synchronization and system information	7.1.2 [3]	M	-	-	M
6	Escape	7.1.2 [3]	X	X	I	-
7	MAC layer control	7.1.2 [3]	M	M	M	M
9	First PP transmission	7.1.2 [3]	-	M	M	-
9a	C _T data packet number 0	7.1.2 [3]	M	M	M	M
9b	C _T data packet number 0	7.1.2 [3]	M	M	M	M
12	U-type, I _N , SI _N or I _P packet number 0	7.1.4 [3]	M	M	M	M
12a	U-type, I _N , SI _N or I _P packet number 1	7.1.4 [3]	M	M	M	M
16	E-type, not all C _F or CL _F ; packet number 0	7.1.4 [3]	C3a	C3b	C3a	C3b
17	E-type, not all C _F ; C _F packet number 1	7.1.4 [3]	C3a	C3b	C3a	C3b
18	E+U-type, I _N , I _P _error_detect OR E+U type I _P _error_correct packet number 0 OR E-type all MAC signalling	7.1.4 [3]	C3a	C3b	C3a	C3b
19	E+U-type, I _P _error_correct packet number 1 OR no B-field if I _N or I _P _error_detect	7.1.4 [3]	O	O	O	M
C3a:	At least one of the set is mandatory for the EUT.					
C3b:	At least one of the set is mandatory for the LT.					

Table D.14: Messages in the A-tail field

Messages in the A-tail field						
Item No.	Message	Reference	Sending		Receipt	
			FT Status	LT Status	FT Status	LT Status
1	Identities information	7.2.2 [3]	O	M	O	M
2	Static system information	7.2.3.2 [3]	M	-	-	M
3	Extended RF carrier information	7.2.3.3 [3]	X	-	-	I
4	Fixed part capabilities	7.2.3.4 [3]	O	-	-	M
8	Q-channel escape	7.2.3.8 [3]	O	-	-	X
31	Basic CC access request	7.2.5.2.2 [3]	-	M1	M1	-
32	Basic CC bearer handover request	7.2.5.2.2 [3]	-	X	I	-
33	Basic CC connection handover request	7.2.5.2.2 [3]	-	X	I	-
34	Basic CC unconfirmed access request	7.2.5.2.2 [3]	-	X	I	-
35	Basic CC bearer confirm	7.2.5.2.2 [3]	M1	-	-	M1
36	Basic CC bearer release	7.2.5.2.2 [3]	O	M1	M1	M1
37	Basic CC wait	7.2.5.2.3 [3]	O	M1	O	M1
38	Advanced CC access request	7.2.5.3.2 [3]	O	M2	M2	O
39	Advanced CC bearer handover request	7.2.5.3.3 [3]	-	X	I	-
40	Advanced CC connection handover request	7.2.5.3.4 [3]	O	X	I	O
41	Advanced CC unconfirmed access request	7.2.5.3.5 [3]	O	X	I	O
42	Advanced CC bearer confirm	7.2.5.3.6 [3]	M2	O	O	M2
43	Advanced CC wait	7.2.5.3.7 [3]	O	M2	O	M2
44	Advanced CC attributes_T, request	7.2.5.3.8 [3]	O	M2	M2	O
45	Advanced CC attributes_T, confirm	7.2.5.3.8 [3]	M2	O	O	M2
46	Advanced CC bandwidth_T, request	7.2.5.3.9 [3]	O	X	O	O
51	Advanced CC release	7.2.5.3.13 [3]	O	M2	M2	M2
52	MAC test force transmit	7.2.5.4.2 [3]	-	X	-	-
53	MAC test loopback data	7.2.5.4.3 [3]	-	M	M	-
54	MAC test defeat antenna diversity	7.2.5.4.4 [3]	-	M	M	-
55	MAC test force bearer handover	7.2.5.4.5 [3]	X	X	I	I
56	MAC test escape	7.2.5.4.6 [3]	X	X	I	I
57	MAC test network test	7.2.5.4.7 [3]	X	I	I	I
58	MAC test clear test modes	7.2.5.4.8 [3]	-	M	M	-
79	Encryption request	7.2.5.7 [3]	-	O	O	-
80	Encryption confirm	7.2.5.7 [3]	O	-	-	O
81	Encryption grant	7.2.5.7 [3]	-	O	O	-
82	B-field setup, first PT transmission	7.2.5.8 [3]	-	M3	M3	-
83	MAC control escape	7.2.5.9 [3]	O	X	I	O

Table D.15: Messages in the B-tail field

Messages in the B-tail field						
Item No.	Message	Reference	Sending		Receipt	
			FT Status	LT Status	FT Status	LT Status
1	Advanced CC access request	7.3.3.2 [3]	O	M3	M3	O
2	Advanced CC bearer handover request	7.3.3.2 [3]	-	X	O	-
3	Advanced CC connection handover request	7.3.3.2 [3]	O	X	O	O
4	Advanced CC unconfirmed access request	7.3.3.2 [3]	O	X	O	O
5	Advanced CC bearer confirm	7.3.3.3 [3]	M3	O	O	M3
6	Advanced CC wait	7.3.3.4 [3]	O	M3	O	M3
14	Advanced CC release	7.3.3.10 [3]	O	M3	M3	M3
30	B-field escape	7.3.8 [3]	O	X	I	X

D.4.3 Message parameters

The slot type shall be set correctly in all message parameters.

The equipment supplier shall provide message parameter details for configuring the LT.

Table D.16: Parameters for A-field static system information message

Parameters for A-field static system information message						
Item No.	Name of parameter	Reference	FT Status	LT Status	Values	
					FT Allowed	LT Allowed
1	Normal-reverse	7.2.3.2.2 [3]	M	M	0,1	0,1
2	Slot number	7.2.3.2.3 [3]	M	M	0 - 11	0 - 11
3	Start position	7.2.3.2.4 [3]	M	M	0,2	0,2
4	Q_T escape bit	7.2.3.2.5 [3]	M	M	0,1	0,1
5	Number of transceivers	7.2.3.2.6 [3]	M	M	0 - 3	0 - 3
6	Extended RF carrier information available	7.2.3.2.7 [3]	M	M	0,1	0,1
7	RF carriers available	7.2.3.2.8 [3]	M	M	1 - 1 023	1 -1 023
8	Carrier number	7.2.3.2.10 [3]	M	M	0 - 9	0 - 9
9	Primary receiver scan carrier number	7.2.3.2.12 [3]	M	M	0 - 9	0 - 9

NOTE: Slot number, carrier number and primary receive scan carrier number shall be dynamically set by the EUT.

Table D.17: Parameters for MAC FP capability message

Parameters for A-field MAC FP capability message						
Item No.	Name of parameter	Reference	FT Status	LT Status	Values	
					FT Allowed	LT Allowed
1	Extended Fixed Part information	7.2.3.4.2 [3]	O	M	0,1	0
2	Double slot	7.2.3.4.2 [3]	O	M	0,1	0,1
3	Half slot	7.2.3.4.2 [3]	O	M	0,1	0,1
4	Full slot	7.2.3.4.2 [3]	O	M	0,1	0
5	Frequency control	7.2.3.4.2 [3]	O	M	0,1	0
6	Page repetition	7.2.3.4.2 [3]	O	M	0,1	0
7	C/O setup on dummy bearer allowed	7.2.3.4.2 [3]	O	M	0,1	0
8	C/L uplink	7.2.3.4.2 [3]	O	M	0,1	0
9	C/L downlink	7.2.3.4.2 [3]	O	M	0,1	0
10	Basic A-field setup	7.2.3.4.2 [3]	O	M1	0,1	0,1
11	Advanced A-field setup	7.2.3.4.2 [3]	O	M2	0,1	0,1
12	B-field setup	7.2.3.4.2 [3]	O	M3	0,1	0,1
13	C_F messages	7.2.3.4.2 [3]	O	M	0,1	0,1
14	I_N minimum delay	7.2.3.4.2 [3]	O	M	0,1	0
15	I_N normal delay	7.2.3.4.2 [3]	O	M	0,1	0,1
16	I_{PM} error detection	7.2.3.4.2 [3]	O	M	0,1	0,1
17a	I_{PQ} error correction	7.2.3.4.2 [3] 7.2.3.5.2 [3]	O	M	0,1	0,1
17	I_{PM} error correction	7.2.3.4.2 [3]	O	M	0,1	0,1
17a	I_{PQ} error correction	7.2.3.4.2 [3] 7.2.3.5.2 [3]	O	M	0,1	0,1
18	Multibearer connections	7.2.3.4.2 [3]	O	M	0,1	0,1
19	Synchronization field - prolonged preamble	7.2.3.5.2.2 [3]	O	M	0,1	0,1
20	MAC suspend and resume	7.2.3.5.2 [3]	O	M	0,1	0,1
21	Long slot support ($j = 640$)	7.2.3.11.2 [3]	O	M	0,1	0,1
22	Long slot support ($j = 672$)	7.2.3.11.2 [3]	O	M	0,1	0,1
23	E+U-type mux and channel I_{PF} basic procedures supported	7.2.3.11.2 [3]	O	M	0,1	0,1
24	channel I_{PF} advanced procedures supported	7.2.3.11.2 [3]	O	M	0,1	0,1
25	channel S_{PF} supported	7.2.3.11.2 [3]	O	M	0,1	0,1
26	channel G_F supported	7.2.3.11.2 [3]	O	M	0,1	0,1
27	"no-emission" mode: preferred carrier number mode (CN)	7.2.3.11.2 [3]	O	M	0,1	0,1

**Table D.18: Parameters for higher layer information FP capability message
(EN 300 175-5 [5], clause F.1)**

Parameters for A-field higher layer information FP capability message							
Item No.	Name of parameter	bit	reference	FT Status	LT Status	Values	
						FT Allowed	LT Allowed
1	ADPCM/G.726 (see note) Voice service	a32	F.1 [5]	O	M	0,1	0,1
2	Generic Access Profile (GAP) supported	a33	F.1 [5]	O	M	0,1	0,1
3	Non-voice circuit switched service	a34	F.1 [5]	O	M	0,1	0,1
4	Non-voice packet switched service	a35	F.1 [5]	O	M	0,1	0,1
5	Standard authentication required	a36	F.1 [5]	O	M	0,1	0,1
6	Standard ciphering supported	a37	F.1 [5]	I	M	0,1	0
7	Location registration supported	a38	F.1 [5]	O	M	0,1	0,1
8	SIM services available	a39	F.1 [5]	O	M	0,1	0,1
9	Non-static Fixed Part (FP)	a40	F.1 [5]	O	M	0,1	0,1
10	CISS services available	a41	F.1 [5]	O	M	0,1	0,1
11	CLMS services available	a42	F.1 [5]	O	M	0,1	0,1
12	COMS services available	a43	F.1 [5]	O	M	0,1	0,1
13	Access rights requests supported	a44	F.1 [5]	O	M	0,1	0,1
14	External handover supported	a45	F.1 [5]	O	M	0,1	0,1
15	Connection handover supported	a46	F.1 [5]	O	M	0,1	0,1
16	Reserved	a47	F.1 [5]	O	M	0,1	0,1

NOTE: ITU-T Recommendation G.726 [i.7].

**Table D.18a: Parameters for extended higher layer information FP capabilities message
(EN 300 175-5 [5], clause F.2)**

Parameters for A-field higher layer information FP capability message							
Item No.	Name of parameter	bit	reference	FT Status	LT Status	Values	
						FT Allowed	LT Allowed
1	ISDN Data Services	a47	F.2 [5]	O	M	0,1	0,1
2	DPRS FREL	a46	F.2 [5]	O	M	0,1	0,1
3	DPRS Stream	a45	F.2 [5]	O	M	0,1	0,1
4	Data Service Profile D	a44	F.2 [5]	O	M	0,1	0,1
5	LRMS	a43	F.2 [5]	O	M	0,1	0,1
6	Asymmetric bearers supported	a41	F.2 [5]	O	M	0,1	0,1
7	Emergency call supported	a40	F.2 [5]	O	M	0,1	0,1
8	Location registration with TPUI allowed	a39	F.2 [5]	O	M	0,1	0,1
9	Synchronization to GPS achieved	a38	F.2 [5]	O	M	0,1	0,1
10	ISDN intermediate system	a37	F.2 [5]	O	M	0,1	0,1
11	RAP Part 1 Profile	a36	F.2 [5]	O	M	0,1	0,1
12	V.24	a33	F.2 [5]	O	M	0,1	0,1
13	PPP	a32	F.2 [5]	O	M	0,1	0,1
14	IP	a31	F.2 [5]	O	M	0,1	0,1
15	Token Ring	a30	F.2 [5]	O	M	0,1	0,1
16	Ethernet	a29	F.2 [5]	O	M	0,1	0,1
17	IP Roaming unrestricted supported	a28	F.2 [5]	O	M	0,1	0,1
18	Generic Media Encapsulation transport (DPRS) supported	a27	F.2 [5]	O	M	0,1	0,1
19	Basic ODAP supported	a26	F.2 [5]	O	M	0,1	0,1
20	F-MMS Interworking profile supported	a25	F.2 [5]	O	M	0,1	0,1

Table D.18b: Parameters for extended higher layer information, part 2, FP capabilities message (EN 300 175-5 [5], clause F.3)

Parameters for A-field higher layer information FP capability message							
Item No.	Name of parameter	bit	reference	FT Status	LT Status	Values	
						FT Allowed	LT Allowed
1	NG-DECT Wideband voice (see TS 102 527-1 [i.4])	a24	F.3 [5]	O	M	0,1	0,1
2	DPRS/NG-DECT Packet Data Category (see EN 301 649 [i.3] and TS 102 527-2 [i.5])	a25 to a28	F.3 [5]	O	M	0,1,2,3	0,1,2,3
3	NG-DECT Extended wideband voice supported (TS 102 527-3 [i.6])	a29	F.3 [5]	O	M	0,1	0,1
4	NG-DECT FP extended wideband voice (TS 102 527-3 [i.6]) specific sets of services: Call transfer (external or internal)	a30	F.3 [5]	O	M	0,1	0,1
5	NG-DECT FP extended wideband voice (TS 102 527-3 [i.6]) specific sets of services: Common parallel call procedures (external or internal)	a31	F.3 [5]	O	M	0,1	0,1
6	NG-DECT FP extended wideband voice (TS 102 527-3 [i.6]) specific sets of services: Third party conference call (external or internal)	a32	F.3 [5]	O	M	0,1	0,1
7	NG-DECT FP extended wideband voice (TS 102 527-3 [i.6]) specific sets of services: Intrusion call	a33	F.3 [5]	O	M	0,1	0,1
8	NG-DECT FP extended wideband voice (TS 102 527-3 [i.6]) specific sets of services: Call defection	a34	F.3 [5]	O	M	0,1	0,1
9	"no emission" mode support (see EN 300 175-3 [3], TS 102 527-3[i.6])	a35	F.3 [5]	O	M	0,1	0,1
10	List access feature support (see TS 102 527-3 [i.6])	a36	F.3 [5]	O	M	0,1	0
11	Easy pairing feature support. If supported, for security reasons, set to "1" and unset at the same time as a44 (see TS 102 527-3 [i.6])	a37	F.3 [5]	O	M	0,1	0,1
12	NG-DECT FP extended wideband voice (TS 102 527-3 [i.6]) specific sets of services: Multiple lines	a38	F.3 [5]	O	M	0,1	0,1
13	NG-DECT FP extended wideband voice (TS 102 527-3 [i.6]) specific sets of services: Multiple calls	a39	F.3 [5]	O	M	0,1	0,1
14	NG-DECT FP extended wideband voice (TS 102 527-3 [i.6]) specific sets of services: permanent CLIR	a40	F.3 [5]	O	M	0,1	0,1

D.4.4 Procedure support

Table D.19: Procedures supported

Procedure supported				
Item No.	Name of procedure	Reference	FT Status	LT Status
1	Downlink continuous broadcast	9.1.1 [3]	M	M
21a	Basic bearer setup	10.5.1.1 [3]	M1	M1
22	A-field advanced single bearer setup	10.5.1.3 [3]	M2	M2
23	B-field single bearer setup	10.5.1.3 [3]	M3	M3
27	Duplex bearer handover procedure	10.6.2 [3]	I	X
29	Unacknowledged bearer release	10.7.2.1 [3]	M	M
40	Duplex bearer physical channel selection	11.4.1 [3]	-	X
41	Double simplex bearer physical channel selection	11.4.1 [3]	-	X
42	Simplex bearer physical channel selection	11.4.1 [3]	-	X
45	RFP idle receiver scan sequence	11.8 [3]	M	M
46	Test message	12 [3]	M	M

D.4.5 CSF multiplexing functions

Table D.20: CSF multiplexing functions

CSF multiplexing functions				
Item No.	Name of function	Reference	FT Status	LT Status
1	D-field MAP D80	6.2.1.1 [3]	Ca	Cb
2	D-field MAP D32	6.2.1.1 [3]	Ca	Cb
3	D-field MAP D08	6.2.1.1 [3]	Ca	Cb
4	D-field MAP D00	6.2.1.1 [3]	Ca	Cb
4a	D-field MAP D64	6.2.1.1 [3]	Ca	Cb
4b	D-field MAP D67	6.2.1.1 [3]	O	Cb
5	A-field MAP	6.2.1.2 [3]	M	M
6	B-field MAP D80 unprotected	6.2.1.3 [3]	Cc	Cd
7	B-field MAP D32 unprotected	6.2.1.3 [3]	Cc	Cd
8	B-field MAP D08 unprotected	6.2.1.3 [3]	Cc	Cd
8a	B-field MAP D64 unprotected	6.2.1.3 [3]	Cc	Cd
8b	B-field MAP D67 unprotected	6.2.1.3 [3]	O	Cd
9	B-field MAP D80 protected (multi subfield)	6.2.1.3 [3]	Cc	Cd
10	B-field MAP D32 protected (multi subfield)	6.2.1.3 [3]	Cc	Cd
11	B-field MAP D08 protected (multi subfield)	6.2.1.3 [3]	Cc	Cd
11a	B-field MAP D64 protected (multi subfield)	6.2.1.3 [3]	Cc	Cd
11b	B-field MAP D67 protected (multi subfield)	6.2.1.3 [3]	O	Cd
11c	B-field MAP D80 protected (single subfield)	6.2.1.3 [3]	O	Cd
11d	B-field MAP D32 protected (single subfield)	6.2.1.3 [3]	O	Cd
11e	B-field MAP D64 protected (single subfield)	6.2.1.3 [3]	O	Cd
11f	B-field MAP D67 protected (single subfield)	6.2.1.3 [3]	O	Cd
12	Tail multiplexer	6.2.2.1 [3]	M	M
13	E/U-mux E80	6.2.2.2 [3]	Ce	Cf
14	E/U-mux E32	6.2.2.2 [3]	Ce	Cf
15	E/U-mux E08	6.2.2.2 [3]	Ce	Cf
15a	E/U-mux E64	6.2.2.2 [3]	Ce	Cf
15b	E/U-mux E67	6.2.2.2 [3]	O	Cf
16	E/U-mux U80a	6.2.2.2 [3]	Ce	Cf
17	E/U-mux U32a	6.2.2.2 [3]	Ce	Cf
18	E/U-mux U08a	6.2.2.2 [3]	Ce	Cf
19	E/U-mux U08a	6.2.2.2 [3]	Ce	Cf
19a	E/U-mux U64a	6.2.2.2 [3]	Ce	Cf
19b	E/U-mux U67a	6.2.2.2 [3]	O	Cf
19c	E/U-mux U80b	6.2.2.2 [3]	Ce	Cf
20	E/U-mux U32b	6.2.2.2 [3]	Ce	Cf
21	E/U-mux U08b	6.2.2.2 [3]	Ce	Cf
21a	E/U-mux U64b	6.2.2.2 [3]	Ce	Cf

CSF multiplexing functions				
Item No.	Name of function	Reference	FT Status	LT Status
21b	E/U-mux U67b	6.2.2.2 [3]	O	Cf
21c	E/U-mux U80c	6.2.2.2 [3]	Ce	Cf
21d	E/U-mux U32c	6.2.2.2 [3]	Ce	Cf
21e	E/U-mux U64c	6.2.2.2 [3]	Ce	Cf
21f	E/U-mux U67c	6.2.2.2 [3]	O	Cf
21g	E/U-mux U80d	6.2.2.2 [3]	O	Cf
21h	E/U-mux U32d	6.2.2.2 [3]	O	Cf
21i	E/U-mux U08d	6.2.2.2 [3]	O	Cf
21j	E/U-mux U64d	6.2.2.2 [3]	O	Cf
32	E/U-mux double slot D80 mode 10 (E-mux, no C _F)	6.2.2.3.1 [3]	C3g	C3g
37	E/U-mux full slot D32 mode 4 (E-mux, no C _F)	6.2.2.3.1 [3]	C3h	C3h
39	E/U-mux half slot D08 mode 1 (E-mux, no C _F)	6.2.2.3.2 [3]	C3i	C3i
39a	E/U-mux long slot D64/D67 mode 0 (E-mux, no C _F)	6.2.2.3.2 [3]	C3j	C3j
39b	E/U-mux double slot D80 mode 0 (E-mux, all C _F)	6.2.2.3.1 [3]	O	C3g
39c	E/U-mux full slot D32 mode 0 (E-mux, all C _F)	6.2.2.3.1 [3]	O	C3h
39d	E/U-mux half slot D08 mode 0 (E-mux, all C _F)	6.2.2.3.2 [3]	O	C3i
39e	E/U-mux long slot D64/D67 mode 0 (E-mux, all C _F)	6.2.2.3.2 [3]	O	C3j
39f	E/U-mux double slot D80 mode 12 (E+U mux)	6.2.2.3.1 [3]	O	C3g
39g	E/U-mux full slot D32 mode 6 (E+U-mux)	6.2.2.3.1 [3]	O	C3h
39h	E/U-mux long slot D64/D67 mode 10 (E+U-mux)	6.2.2.3.2 [3]	O	C3j
40	Encryption	6.2.3 [3]	O	O
41	Scrambling	6.2.4 [3]	M3	M3
42a	A-field R-CRC generation	6.2.5.2 [3]	M	M
42b	B-field R-CRC generation	6.2.5.2 [3]	M3	M3
43a	A-field R-CRC checking	6.2.5.2 [3]	M	M
43b	B-field R-CRC checking	6.2.5.2 [3]	M3	M3
44	X-CRC generation	6.2.5.4 [3]	M	M
45	X-CRC checking	6.2.5.4 [3]	O	O
46	Broadcast control function	6.2.6 [3]	M	-

For A-field setups (i.e. type 1 and 2): only A-field R-CRC is mandatory.

Ca: At least one shall be supported by the EUT.
Cb: At least one shall be supported by the LT.
Cc: At least one shall be supported by the EUT.
Cd: At least one shall be supported by the LT.
Ce: At least one shall be supported by the EUT.
Cf: At least one shall be supported by the LT.
C3g: Mandatory if double slot supported.
C3h: Mandatory if full slot supported.
C3i: Mandatory if half slot supported.
C3j: Mandatory if long slot $j = 640 / j = 670$ supported.

D.4.6 Timer and counter support

Those timers and counters required by the mandatory procedures are classified as mandatory (see table D.19).

Annex E (normative): Measurement of BER and FER

The LT shall use the following method for calculating BER:

- in frames counted for synchronization loss the bit errors for the frame shall be disregarded;
- only whole numbers of frames shall be tested;
- the threshold used in the EUT to detect synchronization shall be the same for BER measurements as for normal operation:
 - let the total number of frames transmitted by the LT be α ; and
 - let the number of frames counted with synchronization loss be β ; and
 - let the number of bits counted in error be γ ; and
 - let the number of bits in a frame be ξ ;

then:

$$\text{BER} = \frac{\gamma}{\xi \times (\alpha - \beta)} \quad (\text{E.1})$$

$$\text{FER} = \frac{\beta}{\alpha} \quad (\text{E.2})$$

Over the measurement, the FER shall be less than 5 %, except for the test in clause 13.2, where the FER shall be less than 0,05 %.

For the calculation of the BER the following number N of transmitted bits shall be used:

$$N = (320 + 2\,016 \times (1 - e^{-\text{BER1}/\text{BERL}}))/\text{BERL} \quad (\text{E.3})$$

where:

- BERL = Limit value of BER measurement (depending on test case).
- BER1 - BER measured during the first 320 000 bits (for BERL = 0,001) or 32 000 000 bits (for BERL = 0,00001) respectively. If BER1 is greater than BERL then BER1 = BERL is used for the calculation.

Annex F (informative): Procedures for the measurement of synchronization loss at the EUT by the LT

F.1 Description

Clause 13 requires the synchronization loss to be measured within the LT. In order that this can be made possible, this annex describes a method by which the EUT can inform the LT when a synchronization error has occurred.

F.2 Method

When a synchronization error occurs the EUT should either:

- 1) retransmit the last received B-field; or
- 2) transmit all 0s in the B-field

of the transmit half frame immediately following the loss of synchronization.

The LT should detect the synchronization error by using a threshold method on the bit error count for the frame. If the BER calculated for the frame is less than 25 % then the BER calculated should go towards the total bit error count for the measurement. If the BER calculated is greater than or equal to 25 % then the frame is counted as a synchronization error and the total bit error count is not incremented.

Annex G (informative): Guide lines for installation related issues

This annex contains guide lines on installation related issues.

G.1 Antennas with directivity

For equipment with an integrated antenna, the antenna gain as measured using the procedure specified in clause 10.2, shall not exceed 12 dBi plus the ratio (in dB) between P_{NTP} (250 mW) and NTP plus the maximum allowable measurement uncertainty for absolute RF power (radiated) as given in clause 5.8.5.

For equipment with an external antenna connector, the gain of the external should in the majority of applications be no more than 12 dBi plus the ratio (in dB) between P_{NTP} (250 mW) and NTP, but may for specific applications be up to 22 dBi.

NOTE: The antenna gain notation is in this context an expression for directing the emitted power, but not to increase the total emitted power. The total emitted power is always limited to 250 mW, independent of the antenna used. In systems with instant dynamic channel selection, gain antennas direct the signal in the wanted direction and decreases interference in the other directions, and makes the infrastructure more cost efficient.

G.2 DECT frame synchronization

DECT is designed not to require frame or slot synchronization between base stations or systems to maintain a high radio link quality. Synchronization between nearby base stations does however in general decrease the local load on the spectrum. For high capacity indoor multi-cell systems the vast majority of the base stations normally belong to the one system, and synchronization is regarded essential by manufacturers both to provide efficient handover and to meet internal system capacity requirements.

Intersystem synchronization (to an absolute reference or mutual) is essential for above rooftop high capacity applications, and should be mandated for such applications. Intersystem synchronization (to an absolute reference or mutual) is also essential for "hot spot" public Cordless Terminal Mobility (CTM) applications. For other cases inter system synchronization is typically not critical, and should not be mandated.

The DECT frame synchronization means for which tests are defined in clause 14 are:

- a) the "Synchronization Port" with master and slave requirements. This enables mutual synchronization;
- b) the "Integrated GPS Synchronization" function (not dependent on available synchronization port). It defines "GPS air" to "RFP air" time requirements, and provides absolute time synchronization. Such FPs shall set the GPS broadcast bit to 1, see further on "Air Synchronization";
- c) the "External GPS Synchronization" device, which is to be interfaced with a Synchronization Port operating in slave mode. It delivers a synchronization signal that fits the Synchronization Port operating in slave mode (which provides line delay compensation when needed). When connected to the Synchronization Port, the delay compensation of this Port is adjusted so that the "GPS air" to "RFP air" time requirements from b) are met.

A fourth means for synchronization is the "DECT Air Synchronization". This method implies that RFPs regularly scan the air interface for other systems and can synchronize their reference timers to another system. A detailed description of this method is not included in the standard, but the basic requirements are found in this annex.

Table G.1 shows an overview of the most important characteristics for the different types of frame synchronization.

Table G.1

Type of synchronization	GPS Synchronization	Synchronization Port (wired) (see note 3)	DECT Air Synchronization (see note 3)
Independent of other operators	Yes	No	No
Absolute reference	Yes	No (see note 1)	No (see note 1)
Without temporarily loss of synchronization	Yes	Yes	No (see note 2)
NOTE 1: Will be absolute if the master is locked to an absolute time reference.			
NOTE 2: Temporary loss of synchronization may not cause slot drifts if both master and slave have a stable clock (< 0,1 ppm).			
NOTE 3: The system shall avoid guard band violation and shall prevent any possibility to form a closed loop. See below.			

It is recommended that all public systems, i.e. all systems needing a license, are required to be locally synchronized to each other, if an operator requires it in a specific area. This implies that the means for mutual synchronization shall be included in public systems. Such requirements should be incorporated in the interoperability profile standards for the CAP; the RAP and for the public FPs in the GAP.

In addition, intrasystem synchronization, at least within local clusters, should be mandatory for these profiles. Most systems already have intrasystem synchronization in order to provide intercell handover.

This leads to the following simple rule:

- Public systems should provide intrasystem cluster synchronization, and should have either GPS Synchronization and a Synchronization output Port or a complete Synchronization Port (both input and output). This will allow absolute time synchronization via GPS or wired mutual synchronization, if an operator requires local synchronization between operators. Such requirements can be tested according to requirements in a profile.

NOTE: For CTM street type systems (antennas lamp post, below rooftop, 1E per base), synchronization may improve the capacity, but is often not essential. GPS synchronization is feasible if several base stations are part of the same FP. It is not cost effective for single RFP FPs connected directly to a local exchange unless it is possible to transfer frame synchronization signals via the local exchange.

G.2.1 Guidance for installation of frame synchronized DECT systems

G.2.1.1 GPS synchronization

The absolute "GPS air" to "RFP air" time relationship is defined in clause 14.

The FP synchronized to a GPS reference shall indicate this by setting the GPS bit in the extended fixed part capabilities field equal to 1.

G.2.1.2 Wired synch port synchronization

DECT wired synch port synchronization requires careful co-ordination between adjacent systems for proper functionality. Lack of co-ordination may result in violation of the EN 301 406 [17] reference timer stability requirements, and may prevent seamless intra-cell handover escapes from sliding interferes.

The master FP in the system should be the one with the most accurate timing reference. This will generally be a system locked to GPS or ISDN. This minimizes the bit slip rate of user data in systems with digital network connections.

A master-slave chain is not allowed to form a closed loop.

Careful consideration of the physical layout of systems is required. If a number of systems are chained together in such a way that the FPs at both ends of the chain are still physically close together, the guard bands may not be aligned, due to excess propagation delays in the synchronization chain. The largest difference of transmission start times of mutually interfering RFPs belonging to the same synchronization chain, shall not exceed 36 μs (equivalent, under worst case to two cascaded synchronization links connected to the same master, see note 1). Use of star, rather than chain configurations may reduce the total propagation delay.

NOTE 1: Class 1 synchronization ports will produce a $\pm 9 \mu\text{s}$ uncertainty ($\pm 5 \mu\text{s}$ in the synchronization port and a further $\pm 4 \mu\text{s}$ timing variation between RFPs on the same FP). There can therefore be a $\pm 18 \mu\text{s}$ delay between two wire synchronized systems.

NOTE 2: There are situations where transmission start time difference of less than 36 μs is required, e.g. long distance links and prolonged preamble.

G.2.1.3 Requirements for DECT air synchronization

DECT air synchronization requires careful co-ordination between adjacent systems for proper functionality. Lack of co-ordination may result in violation of the reference timer stability requirements, clause 8.4, and may prevent seamless intra-cell handover escapes from sliding interferes.

Air synchronization between systems only applies between RFPs.

The master FP in the system should be the one with the most accurate timing reference. This will generally be a system locked to GPS or ISDN. This minimizes the bit slip rate of user data in systems with digital network connections.

A master-slave chain is not allowed to form a closed loop. Two systems shall not attempt to lock to each other. With the present specification, the reference timer stability of a slave is controllable only for a single master slave link.

Annex H (informative): Justification for requirements

For information, table H.1 shows the EN Requirements Table as justified under article 3.2 of the R&TTE Directive [13].

The EN Requirements Table (EN-RT) serves a number of purposes, as follows:

- it provides a tabular summary of all the requirements;
- it shows the status of each EN-R, whether it is essential to implement in all circumstances (Mandatory), or whether the requirement is dependent on the supplier having chosen to support a particular optional service or functionality (Optional). In particular it enables the EN-Rs associated with a particular optional service or functionality to be grouped and identified;
- when completed in respect of a particular equipment it provides a means to undertake the static assessment of conformity with the EN.

Table H.1: EN Requirements Table (EN-RT)

EN Reference		EN 300 176-1				Comment
Test Case Number	Clause	EN-R (note)	Status			
1	7	Accuracy and stability of RF carriers	M			
2	8.3	Timing jitter: slot-slot on the same channel	M			
3	8.4	Reference timing accuracy of a RFP	M			
4	8.5	Measurement of packet timing accuracy	M			
5	9	Transmission Burst	M			
6	10.2	Transmitted power: PP and RFP with an integral antenna	O			
7	10.3	Transmitted power: PP and RFP with an external antenna connector	O			
8	11	RF carrier modulation	M			
9	12.2	Emissions due to modulation	M			
10	12.3	Emissions due to transmitter transients	M			
11	12.4	Emissions due to intermodulation	M			
12	12.5	Spurious emissions when allocated a transmit channel	M			
13	13.1	Radio receiver sensitivity	M			
14	13.2	Radio receiver bit error ratio	M			
15	13.3	Radio receiver interference performance	M			
16	12.4	Radio receiver blocking case 1	M			
17	13.5	Radio receiver blocking case 2	M			
18	13.6	Receiver intermodulation performance	M			
19	13.7	Spurious emissions when the radio endpoint has no allocated transmit channel	M			
20	14	Synchronization port	O			
21	16	Equipment identity verification/safeguards	M			
22	17	Efficient use of radio spectrum	M			
23	18	WRS	O			
24	19	PP to PP communication	O			
25	20	Direct communication	O			
26	21	Higher level modulation	O			

NOTE: These EN-Rs are justified under article 3.2 of the R&TTE Directive [13].

Key to columns:

No Table entry number.

Reference Clause reference number of conformance requirement within the present document.

EN-R Title of conformance requirement within the present document.

Status Status of the entry as follows:

M mandatory, shall be implemented under all circumstances;

O optional, may be provided, but if provided shall be implemented in accordance with the requirements;

O.n this status is used for mutually exclusive or selectable options among a set. The integer "n" shall refer to a unique group of options within the EN-RT. A footnote to the EN-RT shall explicitly state what the requirement is for each numbered group. For example, "It is mandatory to support at least one of these options", or, "It is mandatory to support exactly one of these options".

Comments

To be completed as required.

History

Document history		
Edition 1	October 1992	Publication as I-ETS 300 176
Edition 2	November 1996	Publication as ETS 300 176-1
V1.3.2	June 1999	Publication
V1.4.1	February 2001	Publication
V1.5.1	October 2003	Publication
V2.1.0	March 2009	One-step Approval Procedure OAP 20090701: 2009-03-03 to 2009-07-01